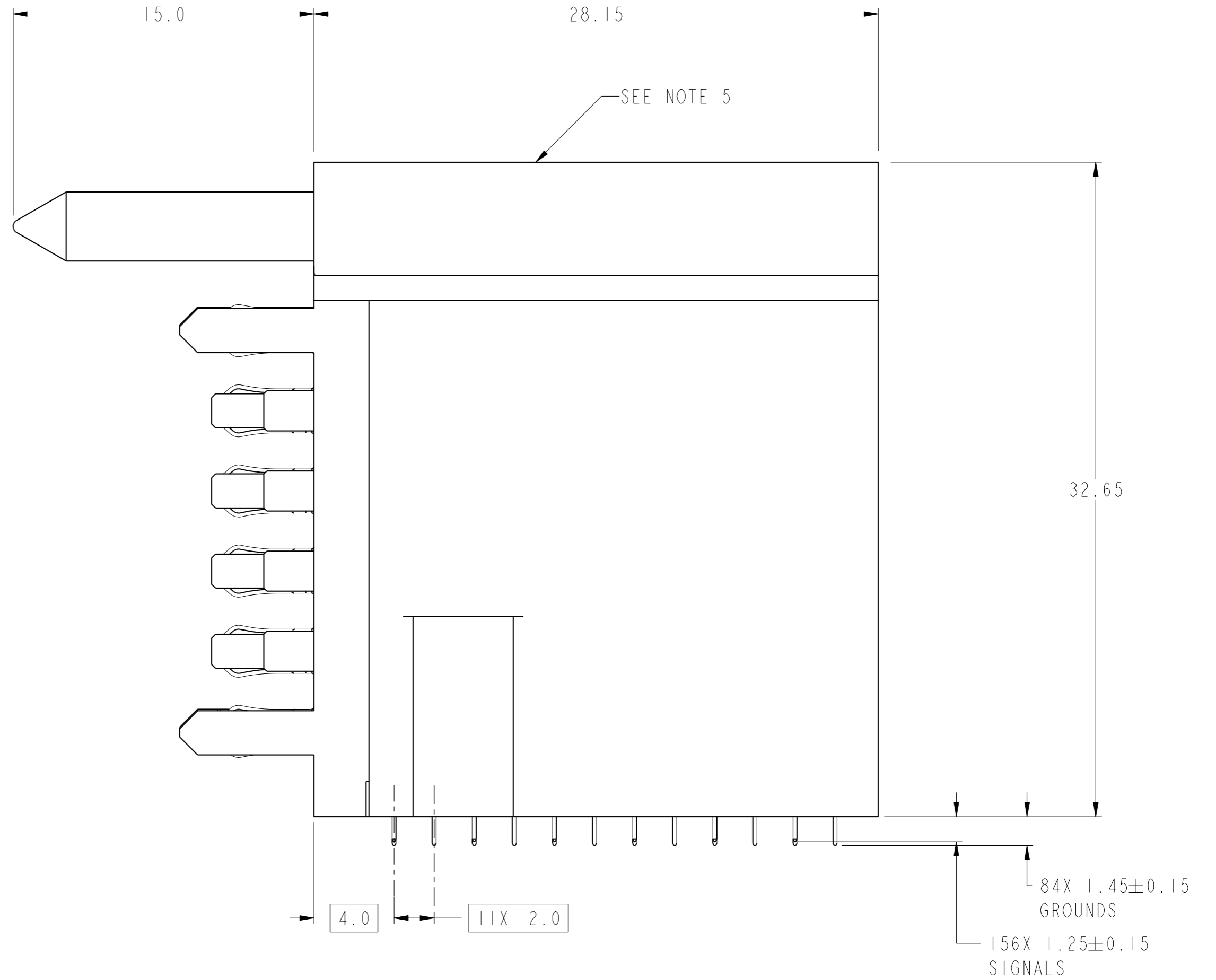
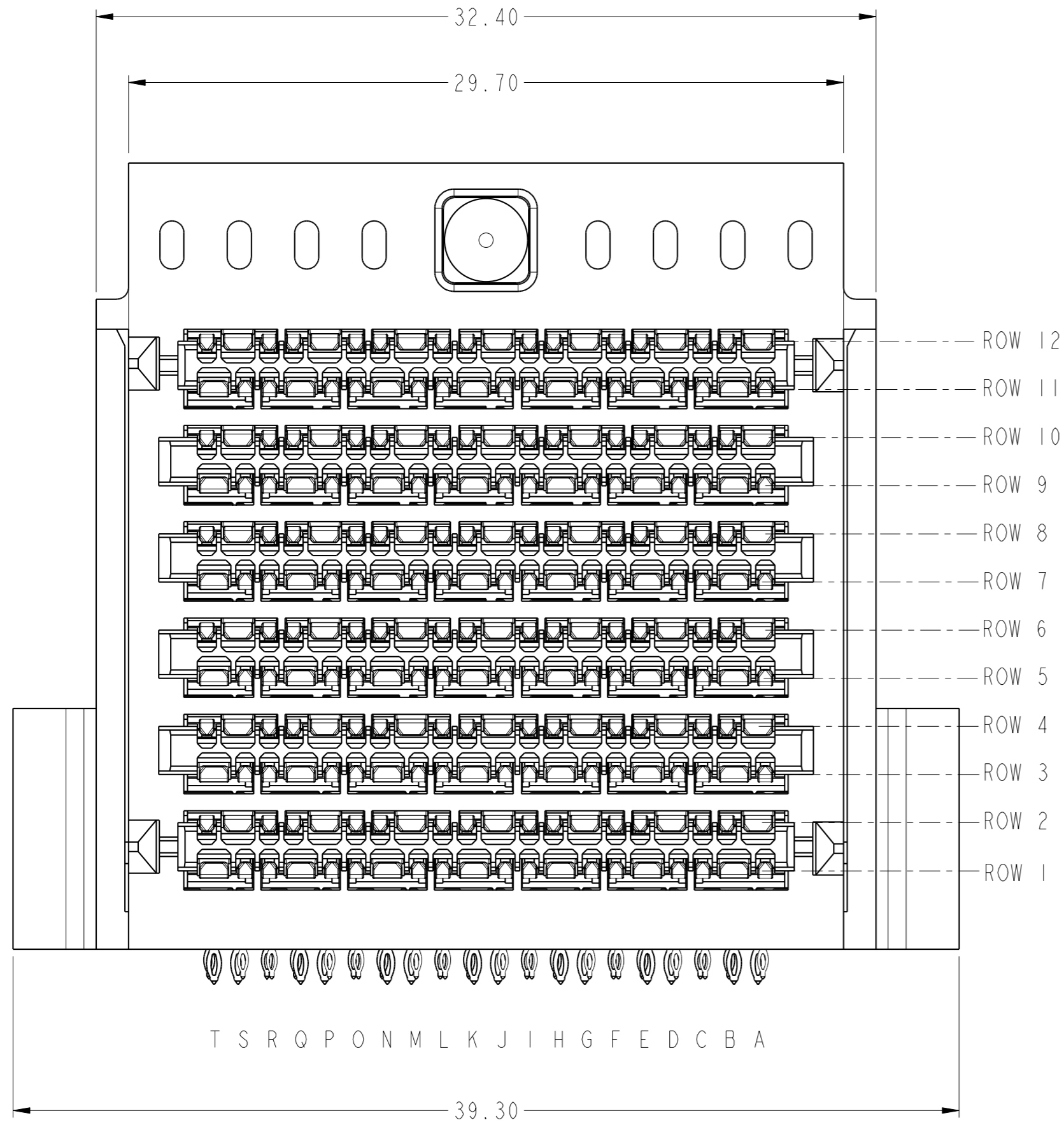


PRODUCT NUMBER	DESCRIPTION
10129181-101LF	WITH GUIDE PIN AND PCB SCREW MOUNTS



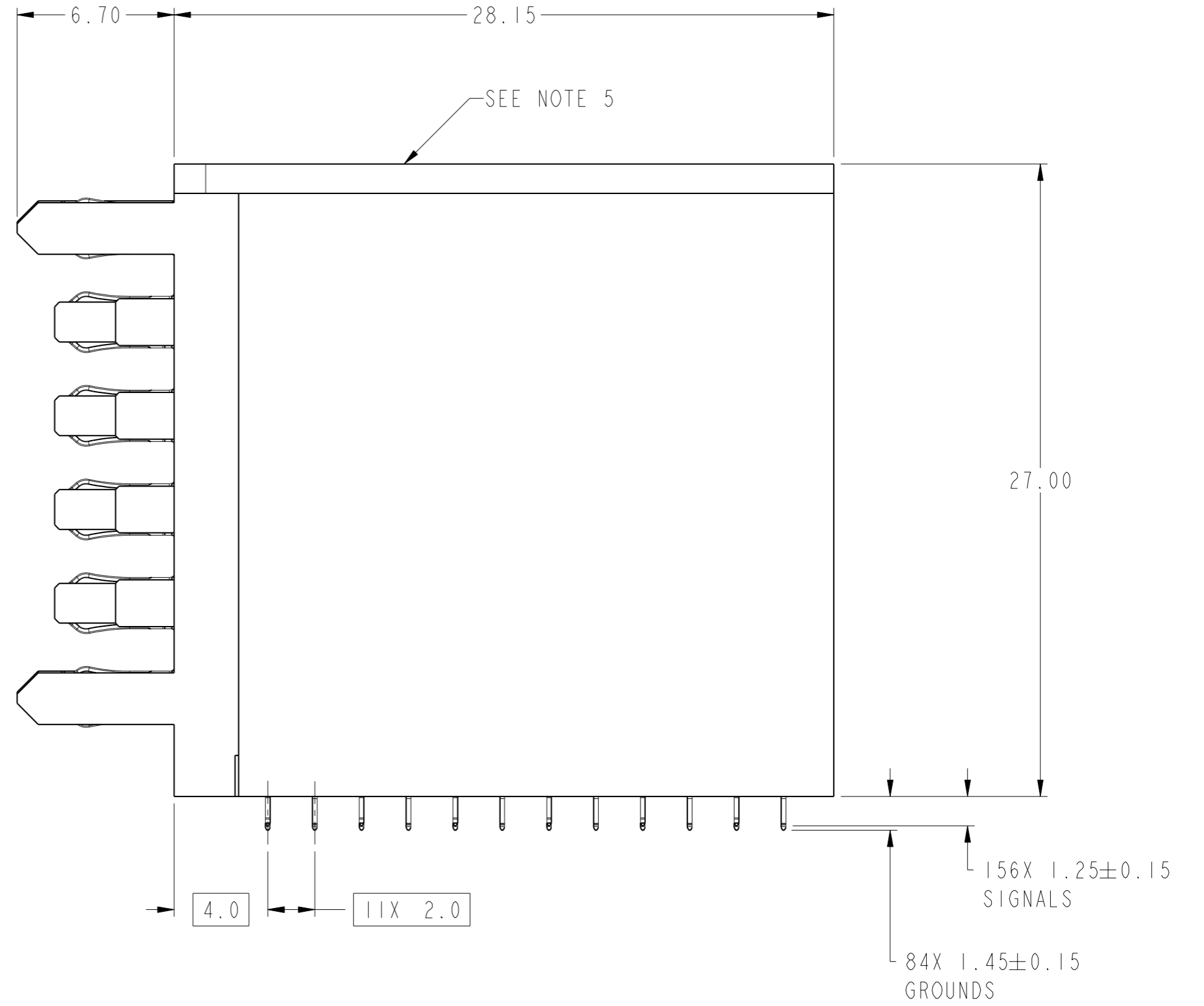
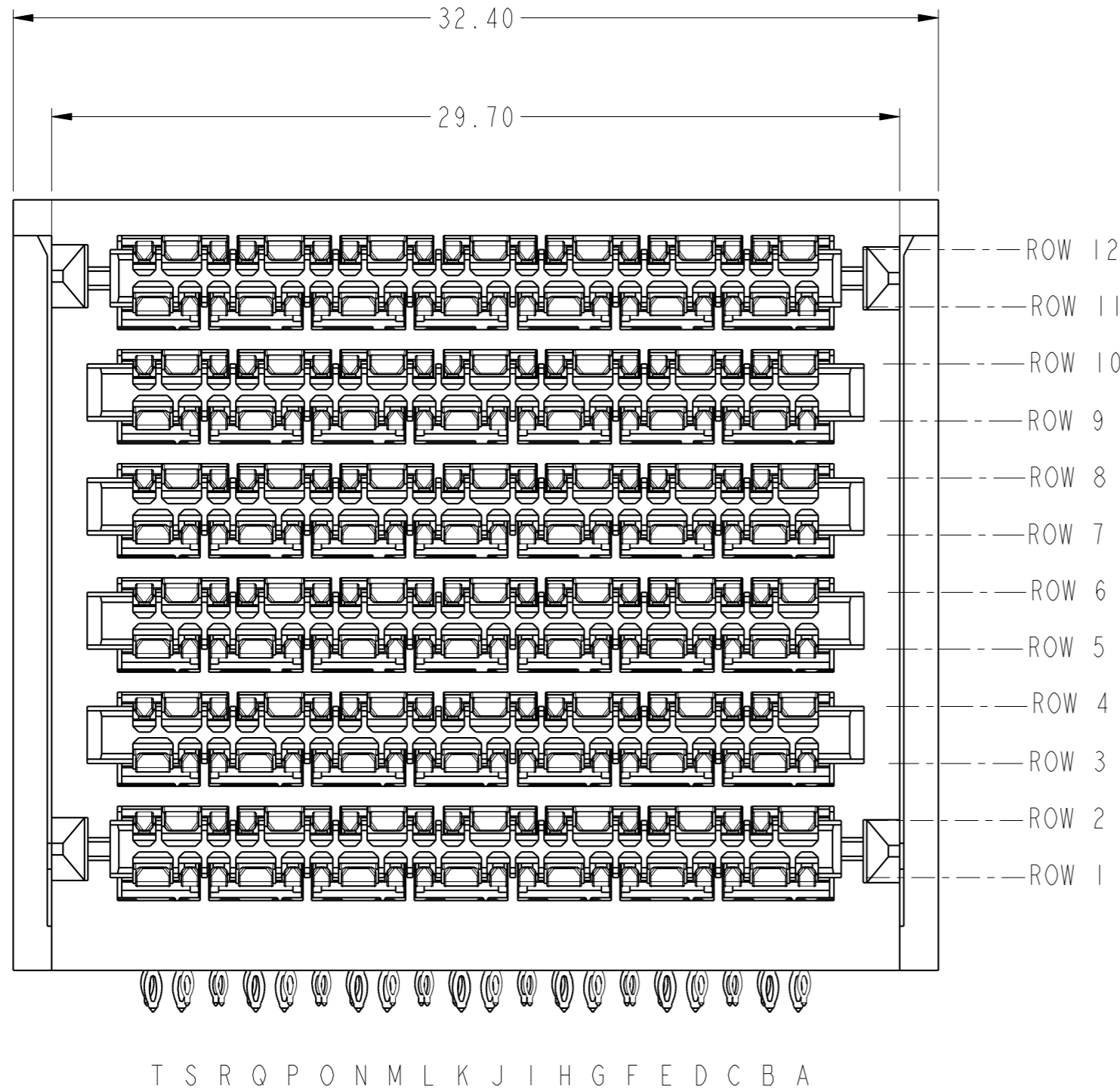
spec ref	---	dr	Mark R Gray	2014/02/24	projection	MM	size	A2	scale	5:1										
tolerance std	ASME Y14.5M	eng	Peng-Bing Fu	2017/11/10			ecn no	ELX-DG-28422-1												
TOLERANCES UNLESS OTHERWISE SPECIFIED		chr	Justin Chen	2017/11/29			rel level	Released												
surface	<table border="1"> <tr> <td>linear</td> <td>0.X</td> <td>±.3</td> </tr> <tr> <td></td> <td>0.XX</td> <td>±.10</td> </tr> <tr> <td></td> <td>0.XXX</td> <td>±.050</td> </tr> <tr> <td>angular</td> <td>0°</td> <td>±°</td> </tr> </table>	linear	0.X	±.3		0.XX	±.10		0.XXX	±.050	angular	0°	±°	appr	Heaven Cen	2017/11/30	product family	Amphenol FCI		
linear	0.X	±.3																		
	0.XX	±.10																		
	0.XXX	±.050																		
angular	0°	±°																		
		title	ExaMAX Orthogonal R.A. Header			cat. no.	10129181													
		6 PAIR, 12 IMLA (240 Position) ASS'Y				Product - Customer Drw	sheet 1 of 7													

PDS: Rev :B

STATUS:Released

Printed: Dec 12, 2017

PRODUCT NUMBER	DESCRIPTION
10129181-102LF	NO GUIDE PIN, NO PCB SCREW MOUNTS

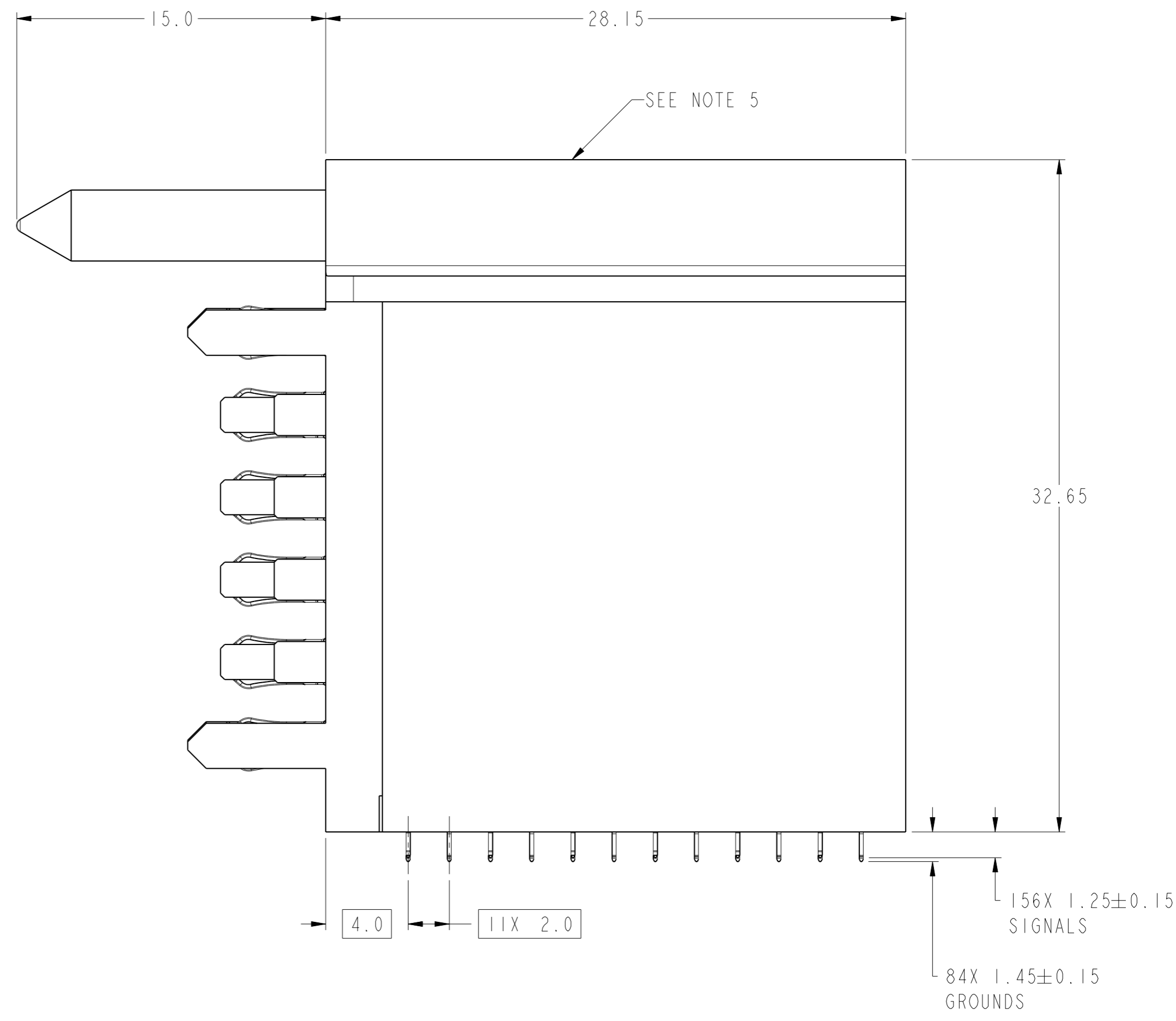
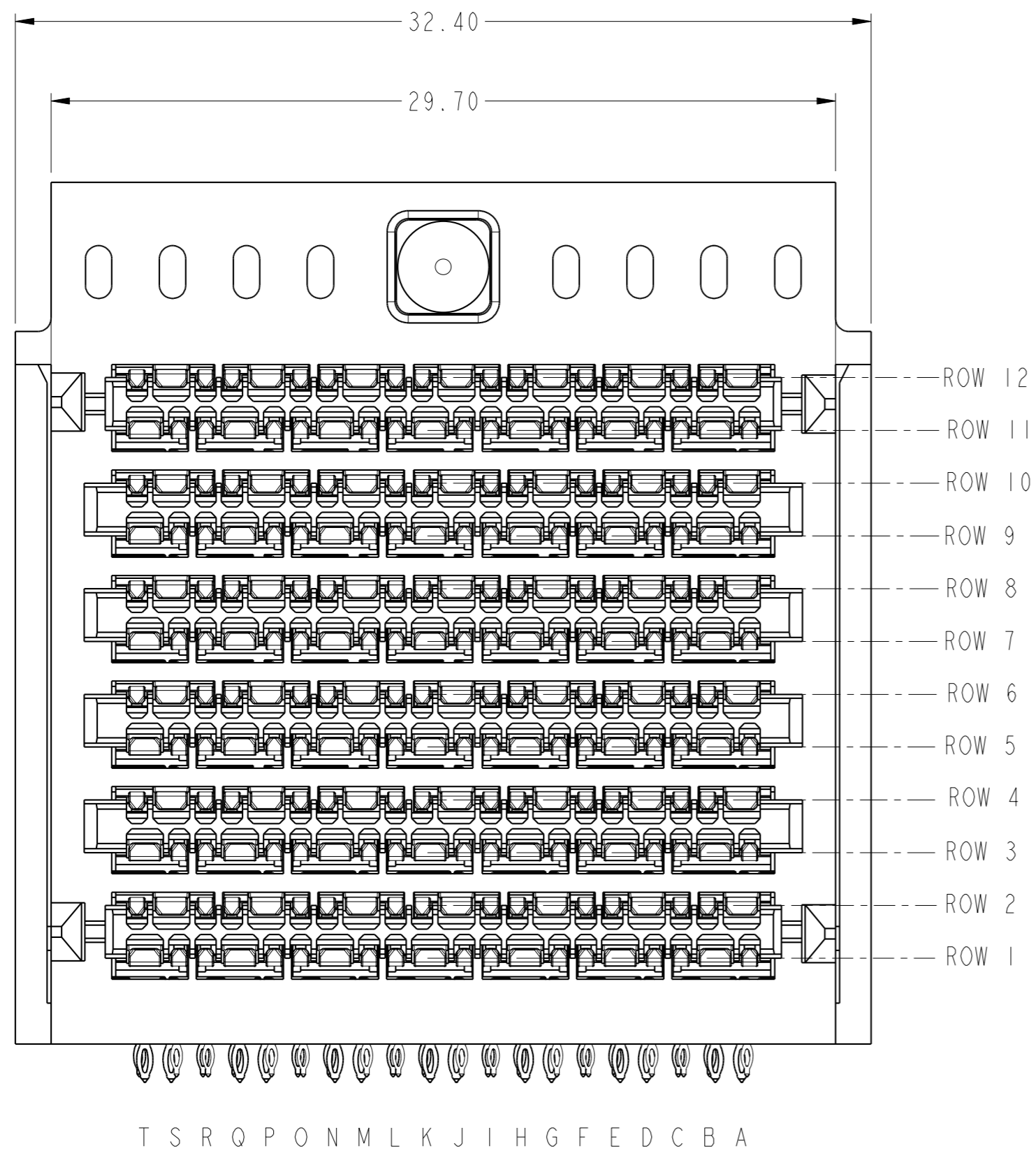


Amphenol  
FCi

© 2016 AFci

spec ref	---	dr	Mark R Gray	2014/02/24	projection	MM	size	A2	scale	5:1										
tolerance std	ASME Y14.5M	eng	Peng-Bing Fu	2017/11/10			ecn no	ELX-DG-28422-1												
TOLERANCES UNLESS OTHERWISE SPECIFIED		chr	Justin Chen	2017/11/29			rel level	Released												
surface	<table border="1"> <tr> <td>linear</td> <td>0.X</td> <td>±.3</td> </tr> <tr> <td></td> <td>0.XX</td> <td>±.10</td> </tr> <tr> <td></td> <td>0.XXX</td> <td>±.050</td> </tr> <tr> <td>angular</td> <td>0°</td> <td>±°</td> </tr> </table>	linear	0.X	±.3		0.XX	±.10		0.XXX	±.050	angular	0°	±°	appr	Heaven Cen	2017/11/30	product family			
linear	0.X	±.3																		
	0.XX	±.10																		
	0.XXX	±.050																		
angular	0°	±°																		
				<b>title</b> ExaMAX Orthogonal R.A. Header 6 PAIR, 12 IMLA (240 Position) ASS'Y		<b>dwg no</b> 10129181 <b>cat. no.</b> -	<b>rev</b> B <b>Product - Customer Drw</b>	sheet 2 of 7												

PRODUCT NUMBER	DESCRIPTION
10129181-103LF	WITH GUIDE PIN, NO PCB SCREW MOUNTS



Amphenol  
FCi

© 2016 AFci

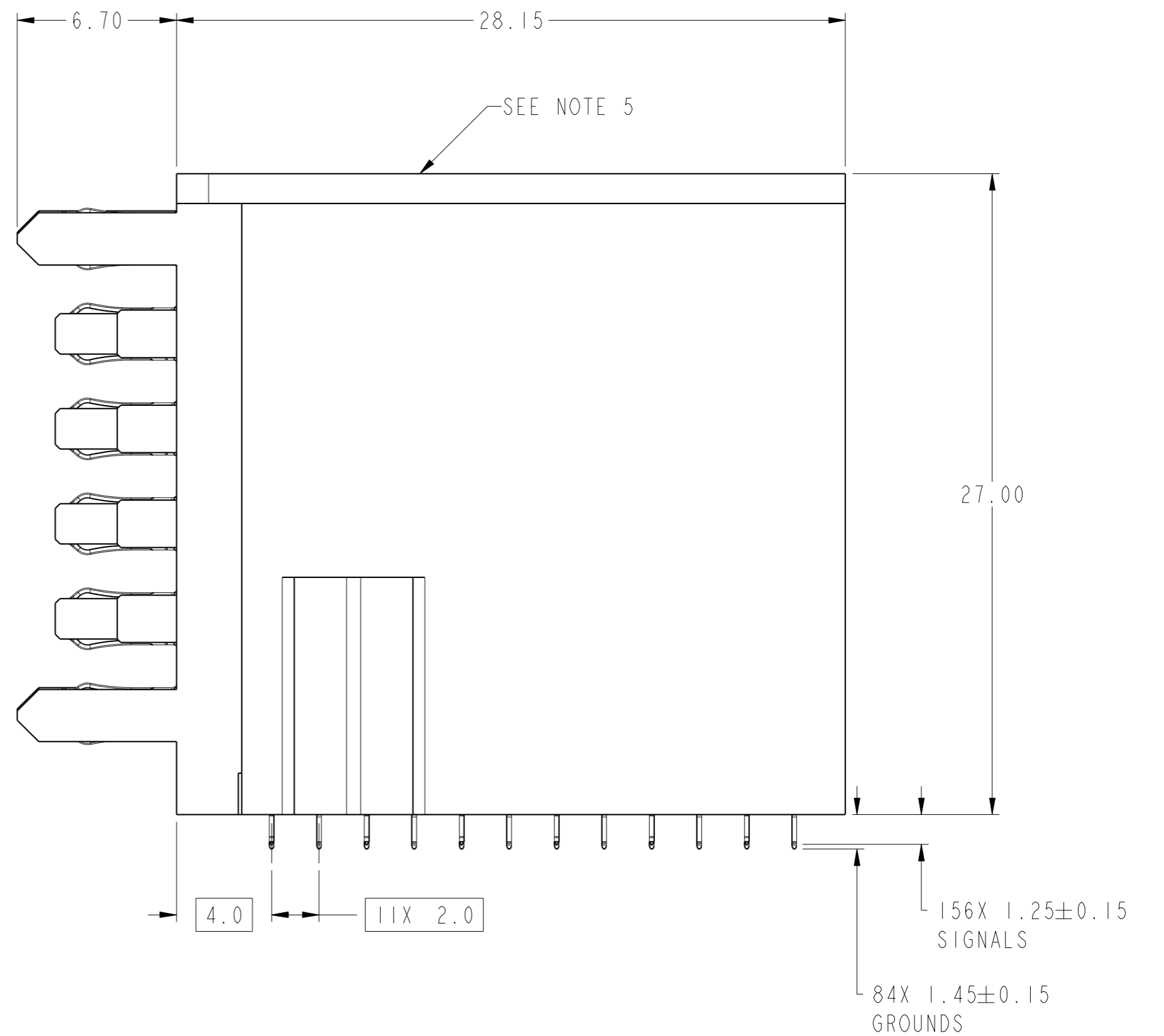
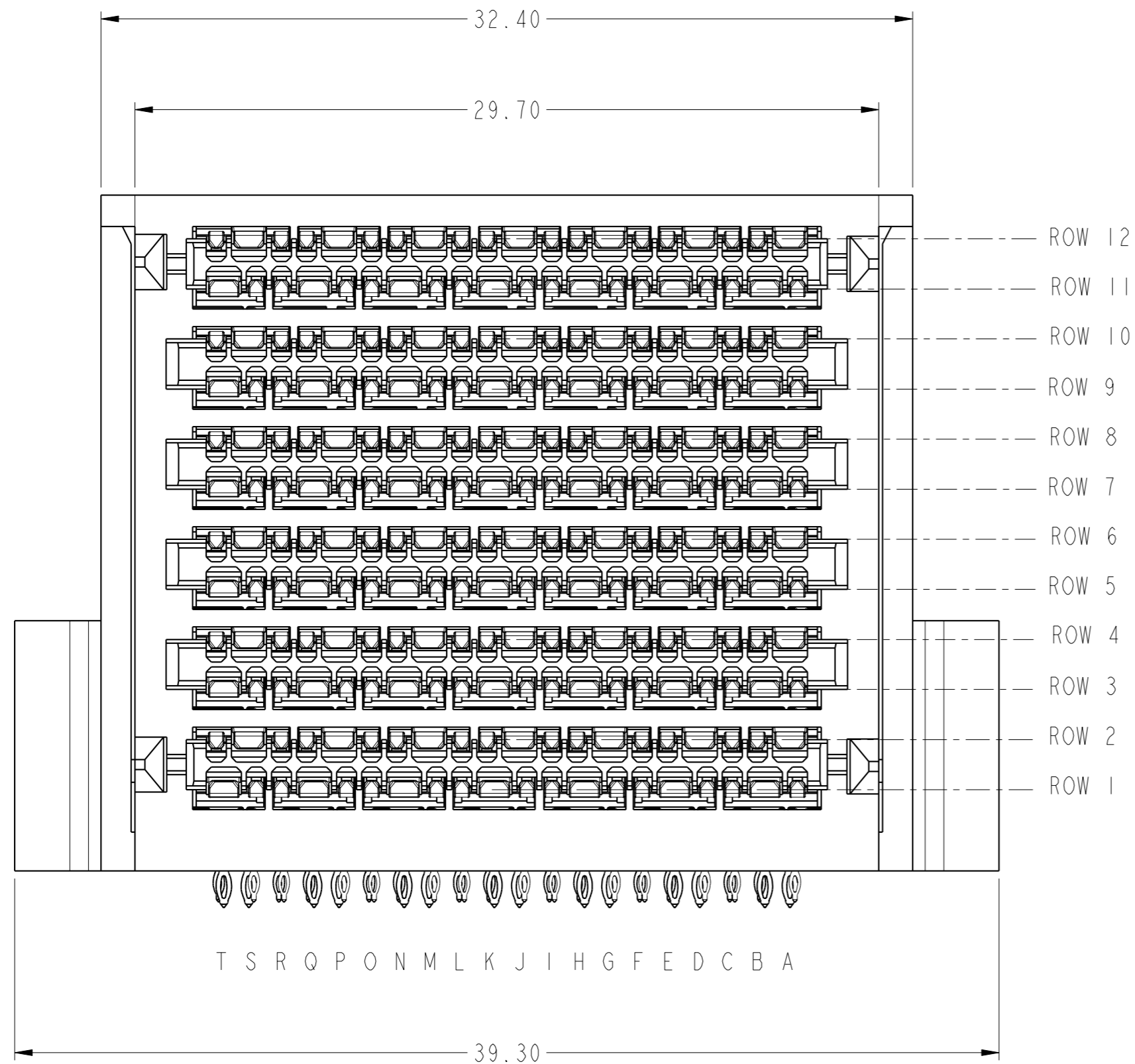
spec ref	---	dr	Mark R Gray	2014/02/24	projection	MM	size	A2	scale	5:1
tolerance std	ASME Y14.5M	eng	Peng-Bing Fu	2017/11/10			ecn no	ELX-DG-28422-1	rel level <b>Released</b>	rev <b>B</b>
TOLERANCES UNLESS OTHERWISE SPECIFIED		chr	Justin Chen	2017/11/29			product family	-		
surface		linear	0.X	±.3	<b>Amphenol FCi</b>	title ExaMAX Orthogonal R.A. Header 6 PAIR, 12 IMLA (240 Position) ASS'Y	dwg no 10129181	sheet 3 of 7	Product - Customer Drw	rev <b>B</b>
			0.XX	±.10						
			0.XXX	±.050						
		angular	0°	±°	cat. no.	-	Product - Customer Drw		sheet 3 of 7	

PDS: Rev :B

STATUS:Released

Printed: Dec 12, 2017

PRODUCT NUMBER	DESCRIPTION
10129181-104LF	NO GUIDE PIN, WITH PCB SCREW MOUNTS



spec ref	---	dr	Mark R Gray	2014/02/24	projection	MM	size	A2	scale	5:1												
tolerance std	ASME Y14.5M	eng	Peng-Bing Fu	2017/11/10			ecn no	ELX-DG-28422-1														
TOLERANCES UNLESS OTHERWISE SPECIFIED		chr	Justin Chen	2017/11/29			rel level	Released														
surface		appr	Heaven Cen	2017/11/30			product family															
<table border="1"> <tr> <td>linear</td> <td>0.X</td> <td>±.3</td> </tr> <tr> <td></td> <td>0.XX</td> <td>±.10</td> </tr> <tr> <td></td> <td>0.XXX</td> <td>±.050</td> </tr> <tr> <td>angular</td> <td>0°</td> <td>±°</td> </tr> </table>		linear	0.X	±.3		0.XX	±.10		0.XXX	±.050	angular	0°	±°			<b>Amphenol FCI</b> Title: ExaMAX Orthogonal R.A. Header 6 PAIR, 12 IMLA (240 Position) ASS'Y		dwg no 10129181	rev B			
linear	0.X	±.3																				
	0.XX	±.10																				
	0.XXX	±.050																				
angular	0°	±°																				
		cat. no.		-		Product - Customer Drw		sheet 4 of 7														

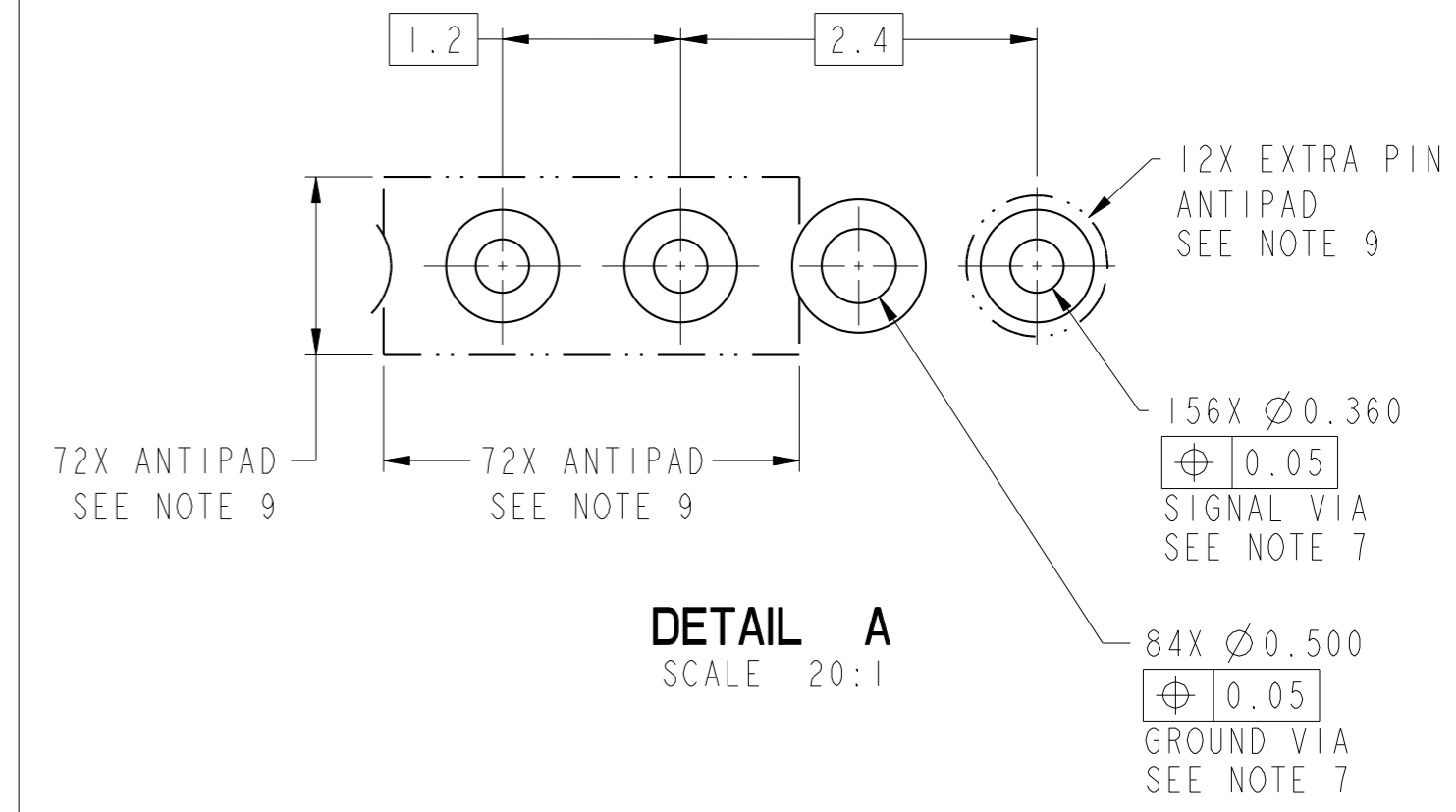
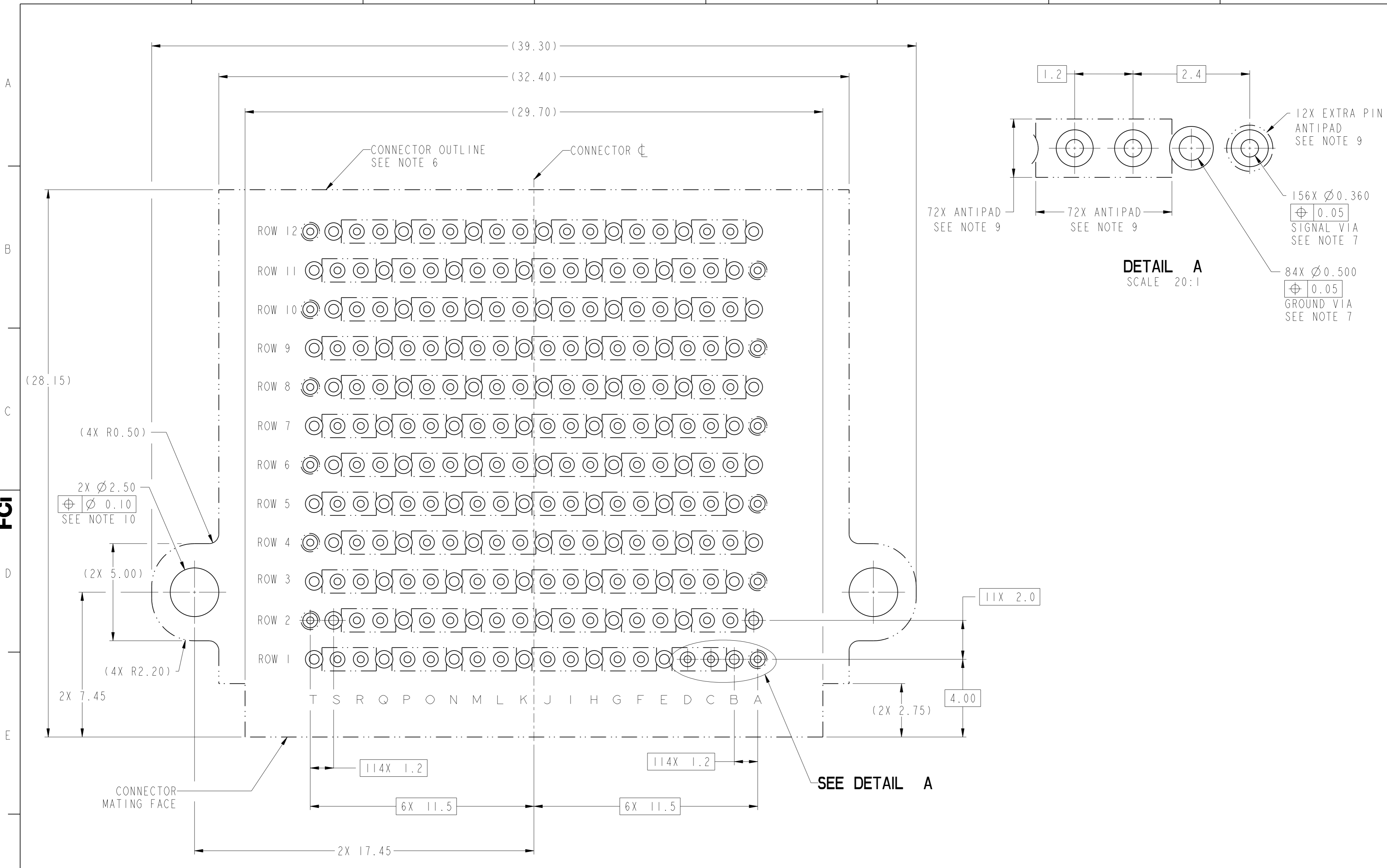
PDS: Rev :B

STATUS:Released

Printed: Dec 12, 2017

Amphenol FCI

© 2016 AFCI

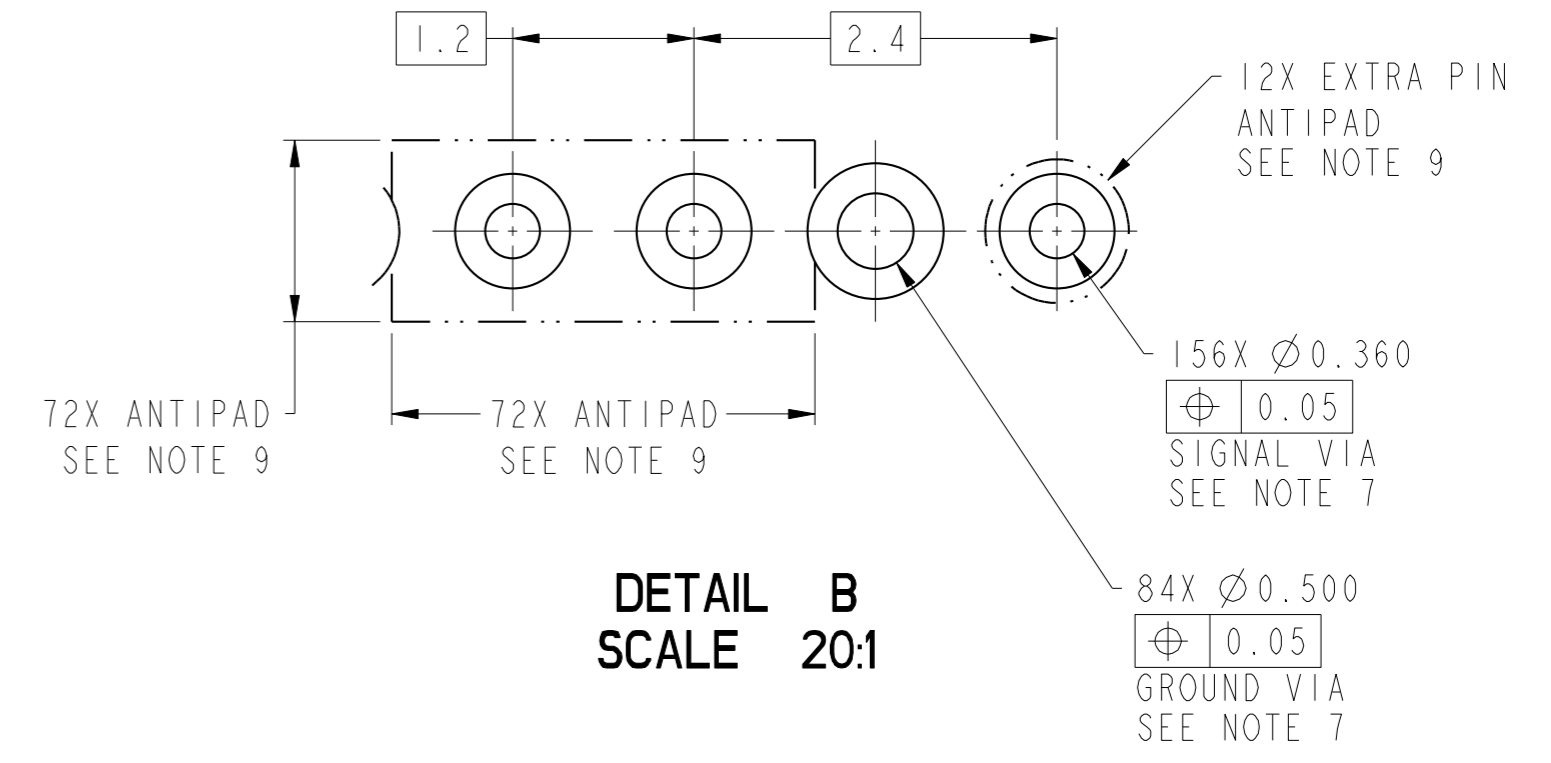
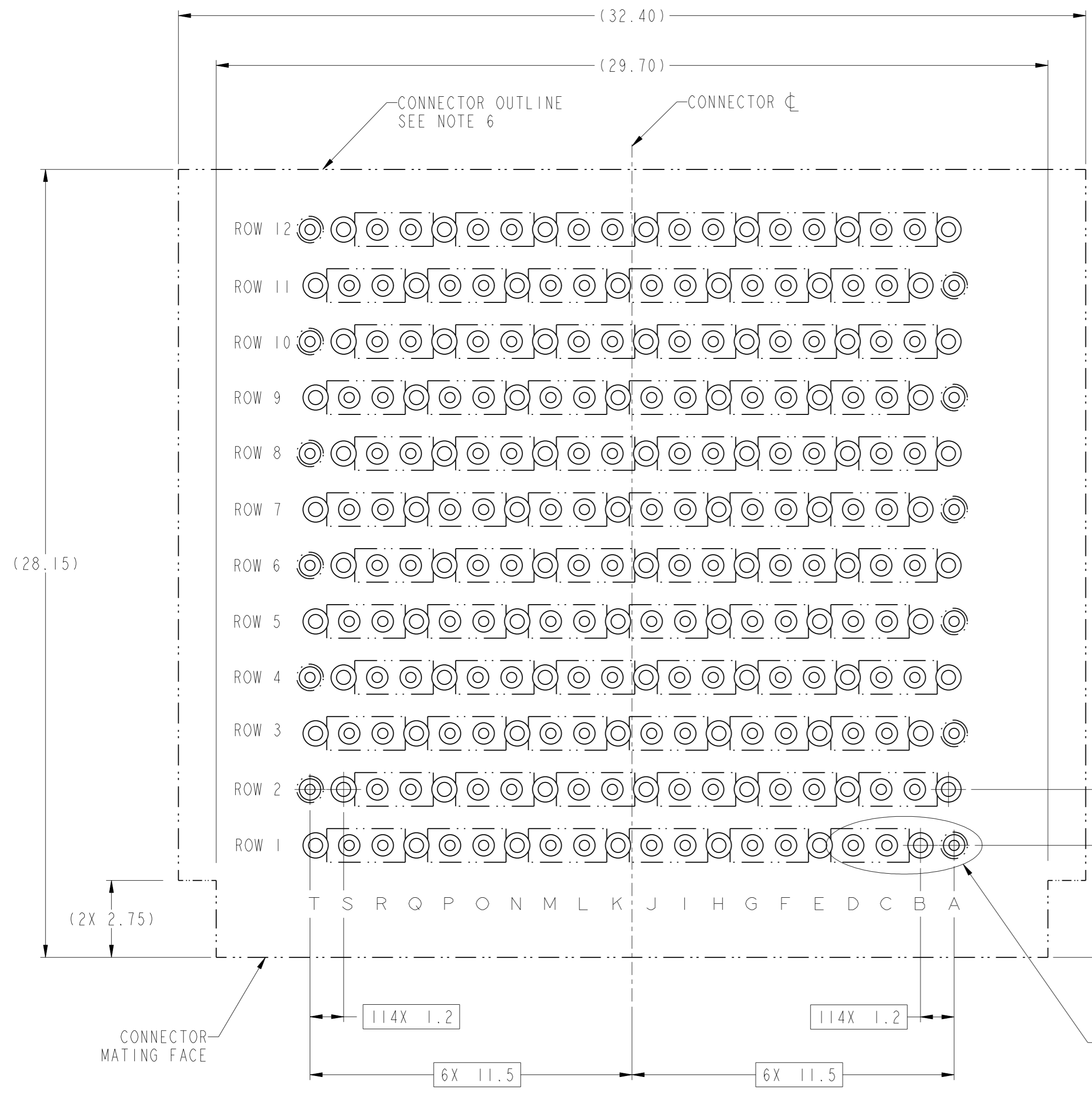


Amphenol FCI

© 2016 AFCI

**RECOMMENDED PCB LAYOUT FOR P/N 10129181-101LF AND 10129181-104LF**  
**COMPONENT SIDE**  
**NOTES 6, 7, 9, & 10**  
**SCALE 8:1**

spec ref	---	dr	Mark R Gray	2014/02/24	projection	MM	size	A2	scale	2:1	
tolerance std	ASME Y14.5M	eng	Peng-Bing Fu	2017/11/10			ecn no	ELX-DG-28422-1			
TOLERANCES UNLESS OTHERWISE SPECIFIED		chr	Justin Chen	2017/11/29			rel level	Released			
		appr	Heaven Cen	2017/11/30			product family				
surface	linear 0.X ±.3 0.XX ±.10 0.XXX ±.050 angular 0° ±°	<b>Amphenol FCI</b>		title ExaMAX Orthogonal R.A. Header 6 PAIR, 12 IMLA (240 Position) ASS'Y			dwg no 10129181	rev B	cat. no. Product - Customer Drw sheet 5 of 7		



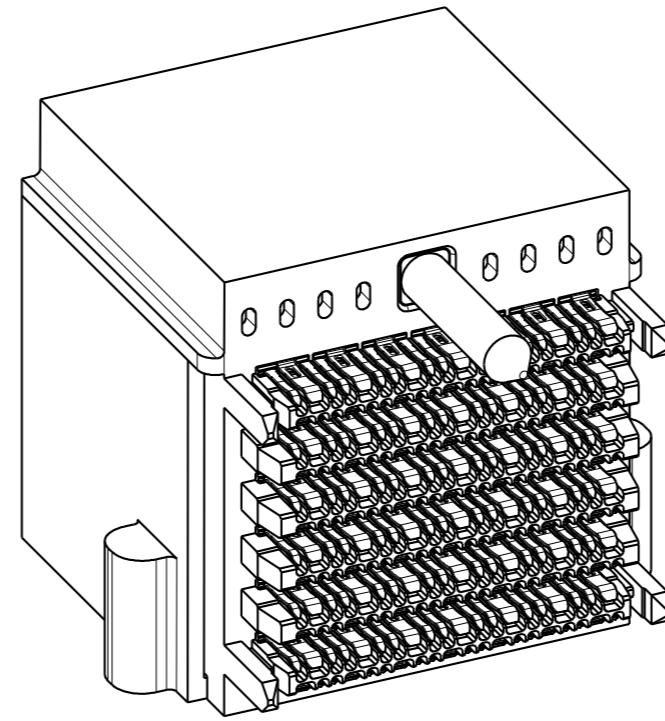
Amphenol  
FCi

**RECOMMENDED PCB LAYOUT FOR P/N 10129181-102LF AND 10129181-103LF**  
**COMPONENT SIDE**  
**NOTES 6, 7, & 9**  
**SCALE 8:1**

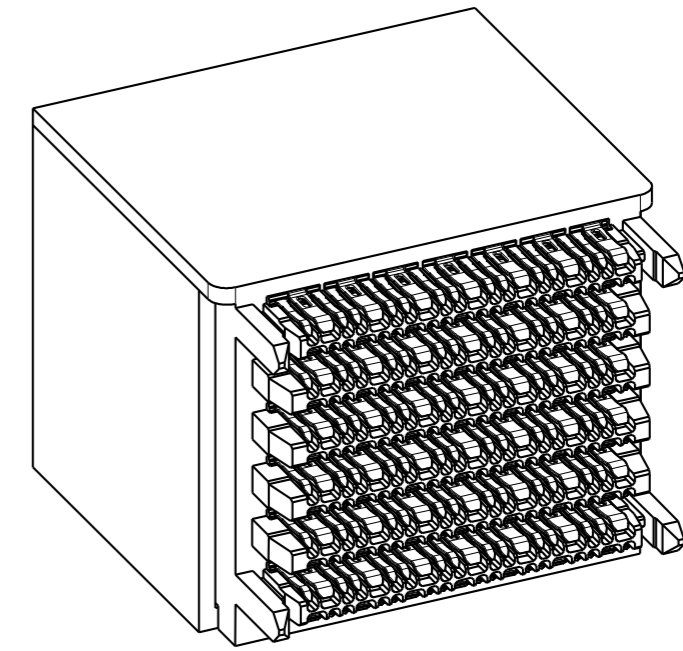
spec ref	---	dr	Mark R Gray	2014/02/24	projection	MM	size	A2	scale	4:1	
tolerance std	ASME Y14.5M	eng	Peng-Bing Fu	2017/11/10			ecn no	ELX-DG-28422-1			
TOLERANCES UNLESS OTHERWISE SPECIFIED		chr	Justin Chen	2017/11/29			rel level	Released			
surface	✓	appr	Heaven Cen	2017/11/30			product family				
linear	0.X ±.3 0.XX ±.10 0.XXX ±.050	Amphenol FCi		title		ExaMAX Orthogonal R.A. Header		diag no	10129181		
angular	0° ±°	6 PAIR, 12 IMLA (240 Position) ASS'Y		cat. no.	Product - Customer Drw		rev	B			

NOTES:

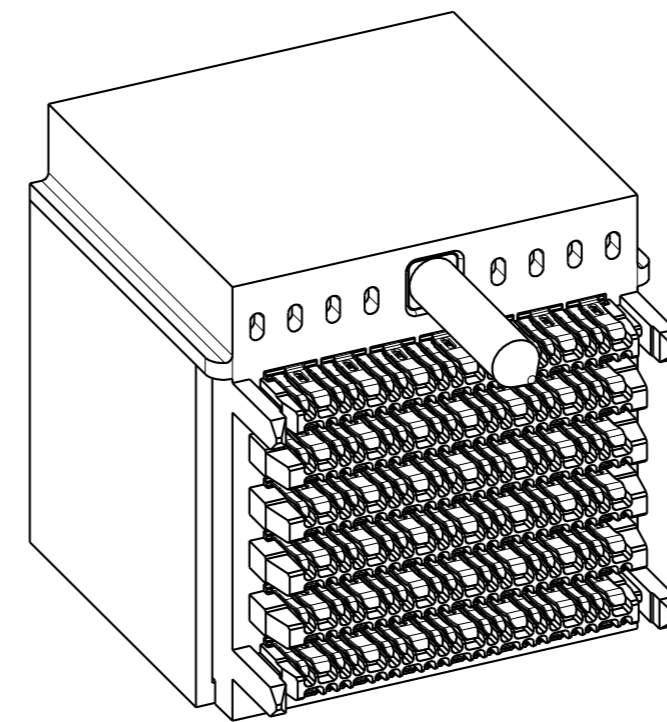
- ① - CONNECTOR MATERIALS:  
 FRONT HOUSING: HIGH TEMP THERMOPLASTIC, BLACK, UL94-V0  
 ORGANIZER: HIGH TEMP THERMOPLASTIC, BLACK, UL94-V0  
 IMLA PLASTIC: HIGH TEMP THERMOPLASTIC, BLACK, UL94-V0  
 CONTACT: COPPER ALLOY  
 GUIDE PIN: STAINLESS STEEL  
 MACHINE SCREW AND LOCK WASHER: STAINLESS STEEL
  
- 2 - CONTACT PLATING:  
 SEPARABLE INTERFACE:  
 PERFORMANCE-BASED PLATING, QUALIFIED TO MEET THE  
 REQUIREMENTS OF FCI PRODUCT SPECIFICATION GS-12-1096  
 INCLUDING TELCORDIA GR-1217-CORE (NOVEMBER 1995)  
 CENTRAL OFFICE TEST SEQUENCE  
  
 PRESS-FIT TAILS: TIN OVER NICKEL (LEAD FREE)
  
- 3 - PRODUCT SPECIFICATION: GS-12-1096
  
- 4 - PACKAGING MEETS GS-14-920 LEAD FREE LABELING  
 SPECIFICATION.
  
- ⑤ - PRODUCT MARKING, (PART NUMBER & LOT CODE), ON THIS SURFACE.
  
- ⑥ - CONNECTOR OUTLINE MAY BE SCREEN PRINTED ONTO CUSTOMER PCB TO  
 BE USED AS A GUIDE FOR MANUAL CONNECTOR PLACEMENT.
  
- ⑦ - REFER TO CUSTOMER DRAWING 10119933 FOR INFORMATION  
 ON PCB HOLE DIAMETERS AND PLATING OPTIONS
  
- ⑧ - LEAD FREE PRODUCT MEETS THE EUROPEAN UNION DIRECTIVES &  
 OTHER COUNTRY REGULATIONS AS DESCRIBED IN GS-47-0004
  
- ⑨ - REFER TO ROUTING GUIDE GS-20-0511 FOR RECOMMENDATIONS  
 ON OPTIMIZATION OF FOOTPRINT AND TRACE ROUTING LAYOUT.
  
- ⑩ - IT IS RECOMMENDED THAT CONNECTORS WITH THE OPTIONAL SCREW MOUNTS USE A  
 TRI-ROUNDULAR, OR TRILOBULAR® SHAPED M1.91 OR M2 THREAD FORMING SCREW DESIGNED  
 SPECIFICALLY FOR PLASTIC MATERIAL TO SECURE THE CONNECTOR TO THE PCB. THE  
 SCREW LENGTH SHOULD BE 4.00mm TO 8.00mm LONG PLUS THE BOARD THICKNESS.
  
- 11 - THE CONNECTOR WILL WITHSTAND EXPOSURE TO 260° C PEAK TEMPERATURE FOR 10-30  
 SECONDS IN A CONVECTION, INFRA-RED, OR VAPOR PHASE REFLOW OVEN.



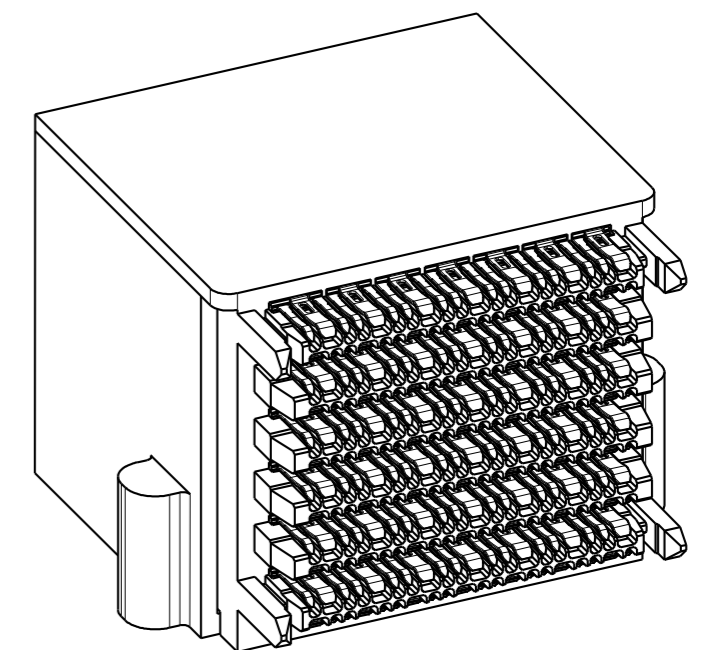
10129181-101LF



10129181-102LF



10129181-103LF



10129181-104LF

Amphenol  
FCi

© 2016 AFCI

spec ref	---	dr	Mark R Gray	2014/02/24	projection	MM	size	A2	scale	2:1												
tolerance std	ASME Y14.5M	eng	Peng-Bing Fu	2017/11/10			ecn no	ELX-DG-28422-1														
TOLERANCES UNLESS OTHERWISE SPECIFIED		chr	Justin Chen	2017/11/29			rel level	Released														
surface	<table border="1"> <tr> <td>linear</td> <td>0.X</td> <td>±.3</td> </tr> <tr> <td></td> <td>0.XX</td> <td>±.10</td> </tr> <tr> <td></td> <td>0.XXX</td> <td>±.050</td> </tr> <tr> <td>angular</td> <td>0°</td> <td>±°</td> </tr> </table>	linear	0.X	±.3		0.XX	±.10		0.XXX	±.050	angular	0°	±°	appr	Heaven Cen	2017/11/30	product family	Amphenol FCi		title	ExaMAX Orthogonal R.A. Header	
linear	0.X	±.3																				
	0.XX	±.10																				
	0.XXX	±.050																				
angular	0°	±°																				
						dwg no	10129181		rev	B												
						cat. no.	Product - Customer Drw		sheet	7 of 7												



Компания «ЭлектроПласт» предлагает заключение долгосрочных отношений при поставках импортных электронных компонентов на взаимовыгодных условиях!

Наши преимущества:

- Оперативные поставки широкого спектра электронных компонентов отечественного и импортного производства напрямую от производителей и с крупнейших мировых складов;
- Поставка более 17-ти миллионов наименований электронных компонентов;
- Поставка сложных, дефицитных, либо снятых с производства позиций;
- Оперативные сроки поставки под заказ (от 5 рабочих дней);
- Экспресс доставка в любую точку России;
- Техническая поддержка проекта, помощь в подборе аналогов, поставка прототипов;
- Система менеджмента качества сертифицирована по Международному стандарту ISO 9001;
- Лицензия ФСБ на осуществление работ с использованием сведений, составляющих государственную тайну;
- Поставка специализированных компонентов (Xilinx, Altera, Analog Devices, Intersil, Interpoint, Microsemi, Aeroflex, Peregrine, Syfer, Eurofarad, Texas Instrument, Miteq, Cobham, E2V, MA-COM, Hittite, Mini-Circuits, General Dynamics и др.);

Помимо этого, одним из направлений компании «ЭлектроПласт» является направление «Источники питания». Мы предлагаем Вам помощь Конструкторского отдела:

- Подбор оптимального решения, техническое обоснование при выборе компонента;
- Подбор аналогов;
- Консультации по применению компонента;
- Поставка образцов и прототипов;
- Техническая поддержка проекта;
- Защита от снятия компонента с производства.



#### Как с нами связаться

**Телефон:** 8 (812) 309 58 32 (многоканальный)

**Факс:** 8 (812) 320-02-42

**Электронная почта:** [org@eplast1.ru](mailto:org@eplast1.ru)

**Адрес:** 198099, г. Санкт-Петербург, ул. Калинина, дом 2, корпус 4, литера А.