

4

3

2

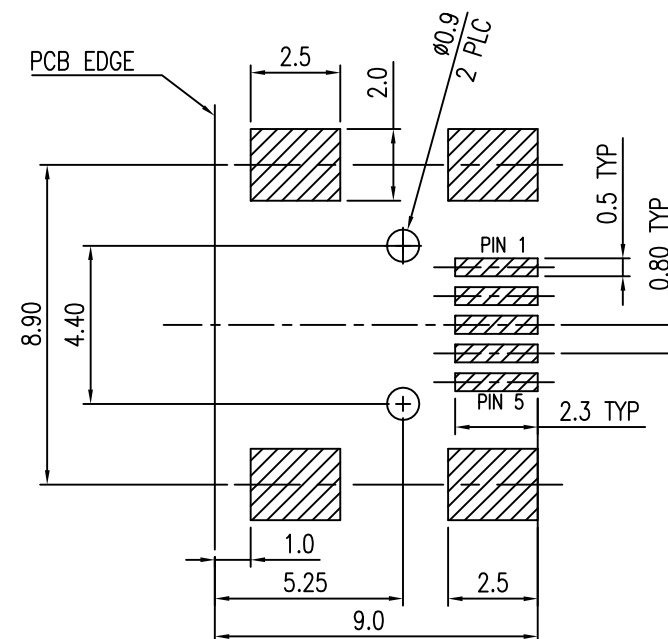
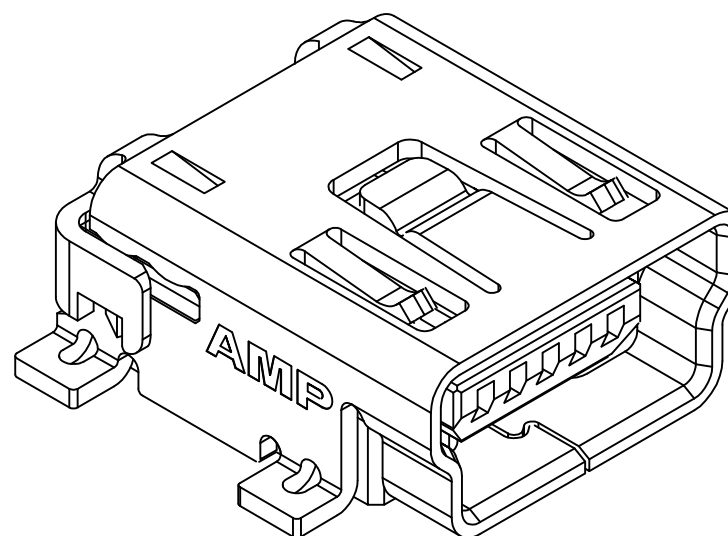
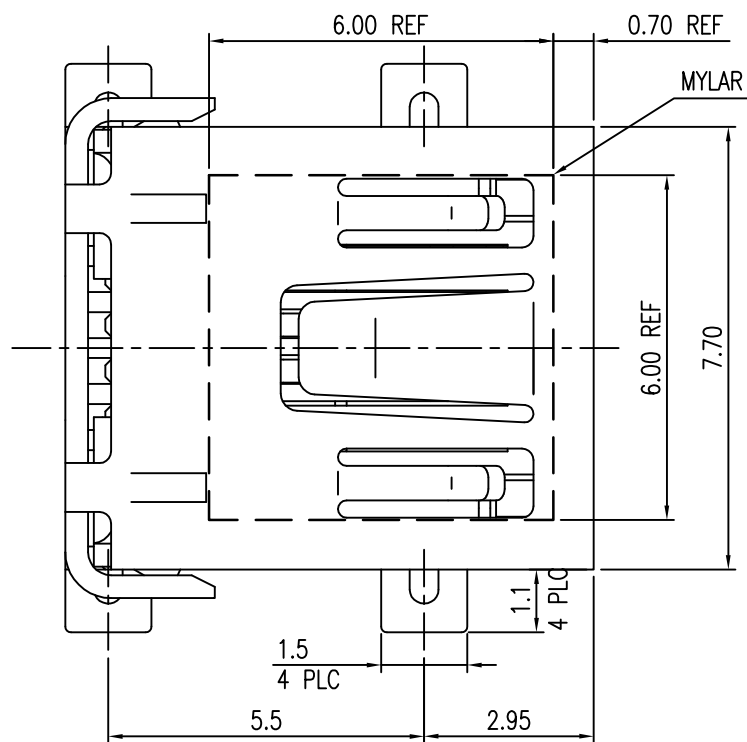
1

THIS DRAWING IS UNPUBLISHED.

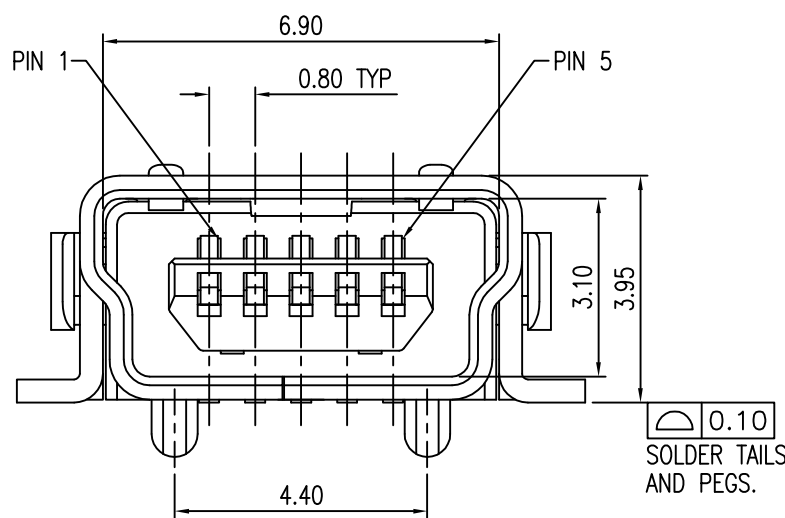
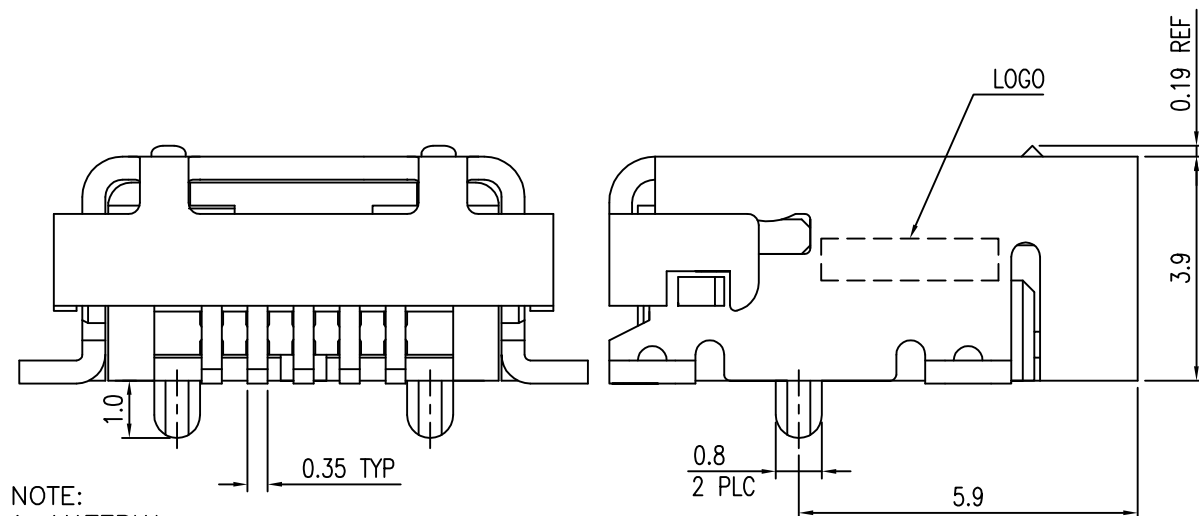
RELEASED FOR PUBLICATION

© COPYRIGHT BY TYCO ELECTRONICS CORPORATION. ALL RIGHTS RESERVED.

LOC	DIST	REVISIONS					
DW	-	P	LTR	DESCRIPTION	DATE	DWN	APVD
		F		REVISED SHELL MATERIAL	18MAY16	BL	J.L



RECOMMENDED PCB LAYOUT (MOUNTING SIDE)  
THICKNESS 1.57mm (TOLERANCE: ±0.05)



- NOTE:
- MATERIAL:  
HOUSING: PA9T WITH 33% GF, UL 94V-0, COLOR: SEE TABLE.  
CONTACTS: PHOSPHOR BRONZE.  
SHELL: SUS304, THICKNESS=0.40MM.  
MYLAR: POLYAMIDE FILM.
  - FINISH:  
CONTACTS: GOLD FLASH OVER  
0.762µm [30µ"] MIN. PALLADIUM-NICKEL PLATED ON CONTACT AREA,  
    - ▲ 2.54µm [100µ"] MIN. MATTE-TIN ON SOLDER TAIL,
    - △ 2.54µm [100µ"] MIN. MATTE-TIN ON SOLDER TAIL,
    - △ 3.05µm [120µ"] MIN. MATTE-TIN ON SOLDER TAIL,
WITH ENTIRE CONTACT UNDERPLATED 1.27µm [50µ"] MIN. NICKEL.  
SHELL: ▲ & △ 1.27µm [50µ"] MIN. NICKEL PLATED OVERALL.  
△ 0.76µm [30µ"] MIN. MATTE-TIN OVER 1.27µm [50µ"] MIN. NICKEL.
  - NO DATECODE ON PRODUCT SURFACE.
  - REFLOW SOLDER CAPABLE TO 260°C PER TE TEST SPEC. 109-201, CONDITION B.

▲	BLACK	W/O	W/O	TAPE REEL	W/	3-1734035-2	
	BLACK	W/	W/O	TAPE REEL	W/	2-1734035-4	
△	BLACK	W/O	W/	TAPE REEL	W/	2-1734035-3	
	BLACK	W/O	W/O	TAPE REEL	W/	2-1734035-2	
	BLACK	W/O	N/A	TRAY	W/	2-1734035-1	
▲	NATURAL	W/	W/O	TAPE REEL	W/	1734035-5	
	BLACK	W/	W/O	TAPE REEL	W/	1734035-4	
	BLACK	W/O	W/	TAPE REEL	W/	1734035-3	
	BLACK	W/O	W/O	TAPE REEL	W/	1734035-2	
	BLACK	W/O	N/A	TRAY	W/	1734035-1	
	PLATED	HOUSING COLOR	MYLAR	LONG CARRIER & COVER TAPE	PACKAGE	POST	PART NUMBER

THIS DRAWING IS A CONTROLLED DOCUMENT.		DWN	O. HU	21DEC2007	TE Connectivity	
		CHK	S. HOU	21DEC2007		
		APVD	W. KODAMA	21DEC2007	NAME	
DIMENSIONS: MM		TOLERANCES UNLESS OTHERWISE SPECIFIED:			PRODUCT SPEC	
		0 PLC	± 0.38		108-57062	
		1 PLC	± 0.25		QUALIFICATION TEST REPORT	
		2 PLC	± 0.13		501-57070	
		3 PLC	± 0.05		SIZE	
		4 PLC	± -		CAGE CODE	
		ANGLES	± 3'		DRAWING NO	
MATERIAL		FINISH			RESTRICTED TO	
SEE NOTE		SEE NOTE			A3 00779 C=1734035	
CUSTOMER DRAWING				SCALE	SHEET	REV
					1 of 4	F

4

3

2

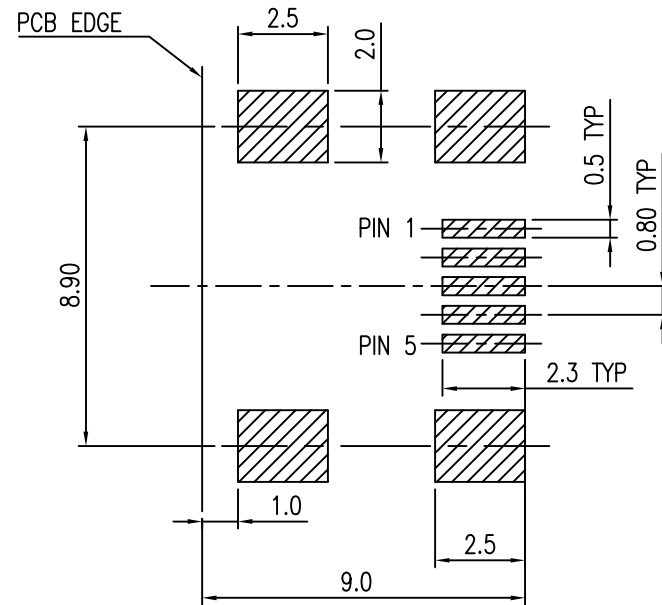
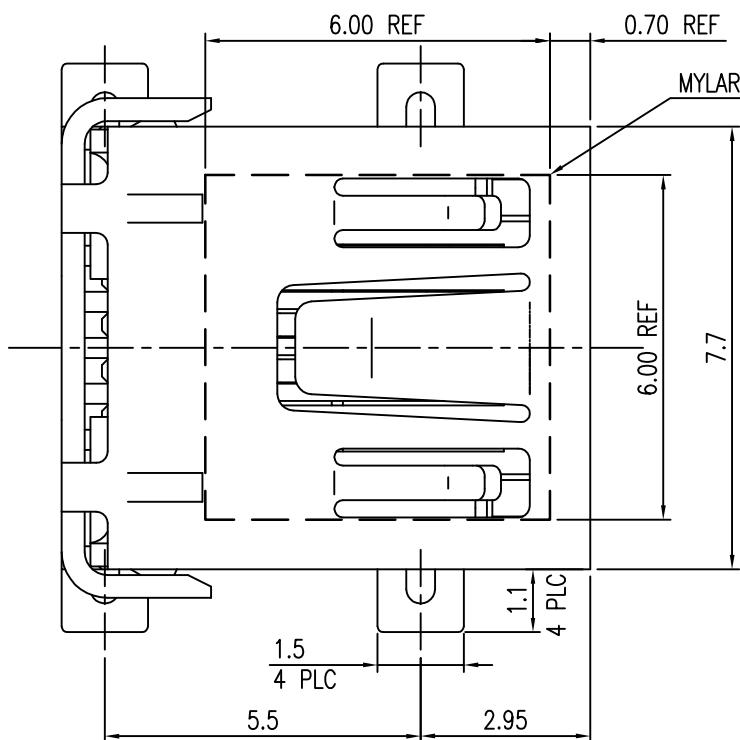
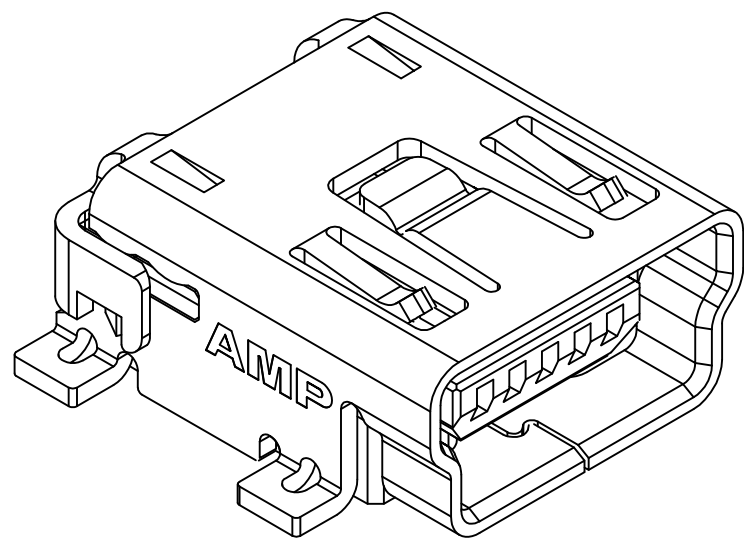
1

THIS DRAWING IS UNPUBLISHED.

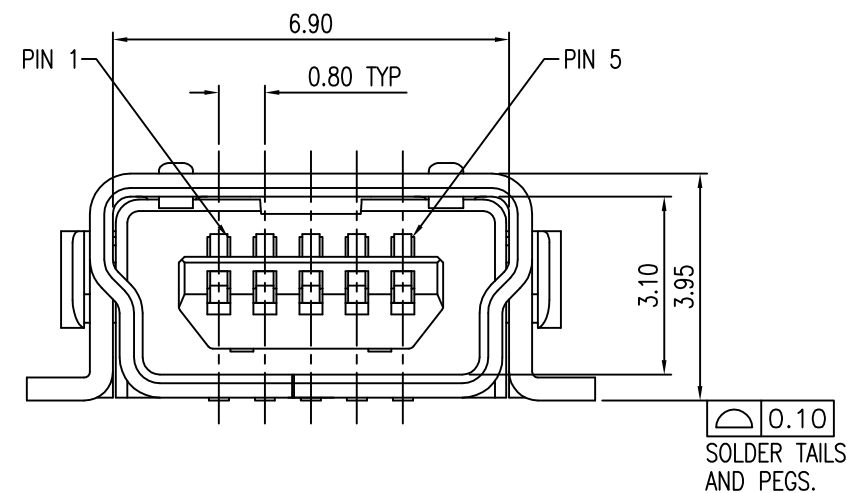
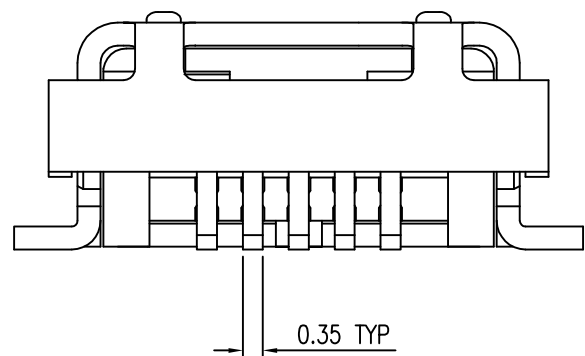
RELEASED FOR PUBLICATION

© COPYRIGHT BY TYCO ELECTRONICS CORPORATION. ALL RIGHTS RESERVED.

LOC	DIST	REVISIONS				
P	LTR	DESCRIPTION	DATE	DWN	APVD	
DW	-	SEE SHEET 1.				



RECOMMENDED PCB LAYOUT (MOUNTING SIDE)  
THICKNESS 1.57mm (TOLERANCE:±0.05)



NOTE:

- MATERIAL:  
HOUSING: PA9T WITH 33% GF, UL 94V-0, BLACK COLOR.  
CONTACTS: PHOSPHOR BRONZE.  
SHELL: SUS304, THICKNESS=0.40MM.  
MYLAR: POLYAMIDE FILM.
- FINISH:  
CONTACTS: GOLD FLASH OVER  
0.762µm [30µ"] MIN. PALLADIUM-NICKEL PLATED ON CONTACT AREA,  
2.54µm [100µ"] MIN. MATTE-TIN ON SOLDER TAIL, WITH  
ENTIRE CONTACT UNDERPLATED 1.27µm [50µ"] MIN. NICKEL.  
SHELL: 1.27µm [50µ"] MIN. NICKEL PLATED OVERALL.
- NO DATECODE ON PRODUCT SURFACE.
- REFLOW SOLDER CAPABLE TO 260°C PER TE TEST SPEC. 109-201, CONDITION B.

W/	W/O	TAPE REEL	W/O	4-1734035-2
	W/	TAPE REEL	W/O	1-1734035-3
W/O	W/O	TAPE REEL	W/O	1-1734035-2
	N/A	TRAY	W/O	1-1734035-1
MYLAR	LONG CARRIER & COVER TAPE	PACKAGE	POST	PART NUMBER

THIS DRAWING IS A CONTROLLED DOCUMENT.		DWN															
DIMENSIONS: MM		CHK															
TOLERANCES UNLESS OTHERWISE SPECIFIED:		APVD	NAME														
<table border="0"> <tr><td>0 PLC</td><td>± 0.38</td></tr> <tr><td>1 PLC</td><td>± 0.25</td></tr> <tr><td>2 PLC</td><td>± 0.13</td></tr> <tr><td>3 PLC</td><td>± 0.05</td></tr> <tr><td>4 PLC</td><td>± -</td></tr> <tr><td>ANGLES</td><td>± 3'</td></tr> </table>		0 PLC	± 0.38	1 PLC	± 0.25	2 PLC	± 0.13	3 PLC	± 0.05	4 PLC	± -	ANGLES	± 3'	PRODUCT SPEC	MINI USB, R/A, SMT, B TYPE		
0 PLC	± 0.38																
1 PLC	± 0.25																
2 PLC	± 0.13																
3 PLC	± 0.05																
4 PLC	± -																
ANGLES	± 3'																
MATERIAL		APPLICATION SPEC	SIZE	CAGE CODE	DRAWING NO												
SEE NOTE		WEIGHT	A3	00779	C=1734035												
		CUSTOMER DRAWING	RESTRICTED TO														
		SCALE	SHEET	2 of 4	REV F												

4

3

2

1

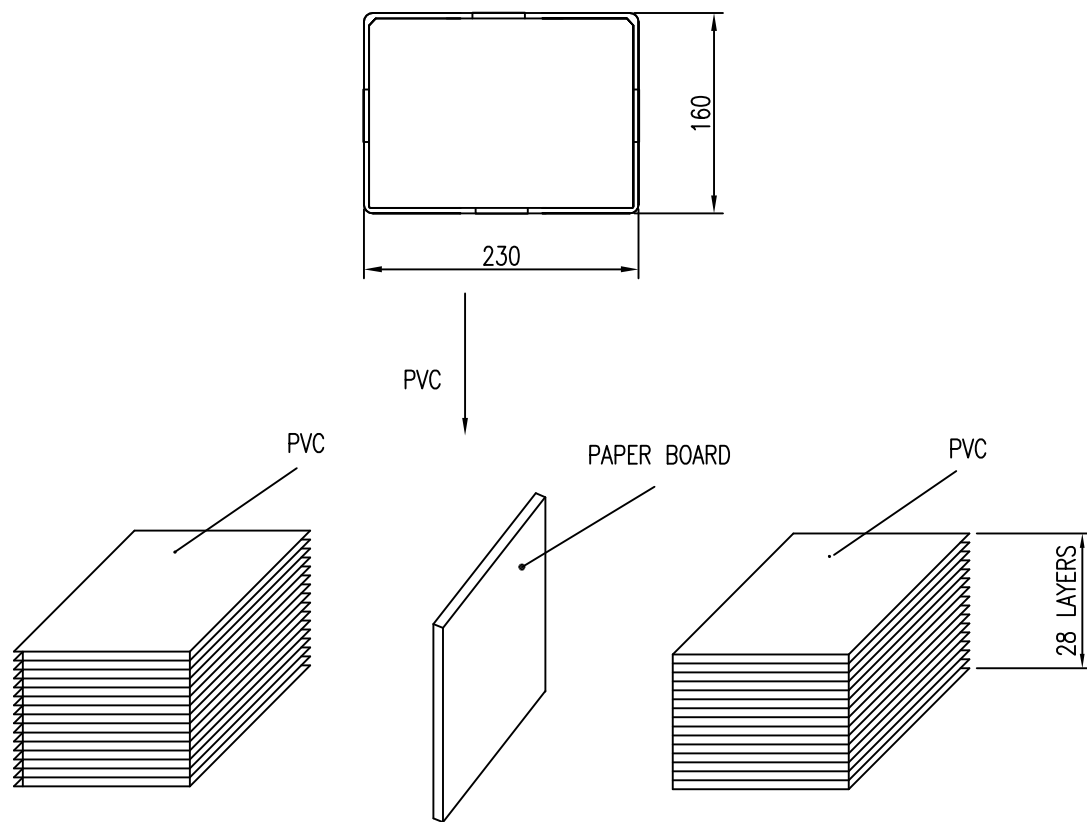
THIS DRAWING IS UNPUBLISHED.

RELEASED FOR PUBLICATION

---

© COPYRIGHT - BY TYCO ELECTRONICS CORPORATION. ALL RIGHTS RESERVED.

LOC	DIST	REVISIONS					
DW	-	P	LTR	DESCRIPTION	DATE	DWN	APVD
				SEE SHEET 1.			



8.25 Kg	5.55 Kg	150	56	8400 PCS	2-1734035-1
					1-1734035-1
					1734035-1
GROSS WEIGHT	NET WEIGHT	PCS/TRAY	TRAYS /CARTON	QUANTITY	PART NUMBER

THIS DRAWING IS A CONTROLLED DOCUMENT.		DWN	<b>STE</b> TE Connectivity		
DIMENSIONS: MM		CHK			
TOLERANCES UNLESS OTHERWISE SPECIFIED:		APVD	NAME		
0 PLC ± -		PRODUCT SPEC	MINI USB, R/A, SMT, B TYPE		
1 PLC ± -		APPLICATION SPEC	SIZE	CAGE CODE	DRAWING NO
2 PLC ± -		WEIGHT	A3	00779	1734035
3 PLC ± -			RESTRICTED TO		
4 PLC ± -			-		
ANGLES ± -			SCALE	SHEET	REV
MATERIAL			-	3 of 4	F
FINISH			CUSTOMER DRAWING		

4

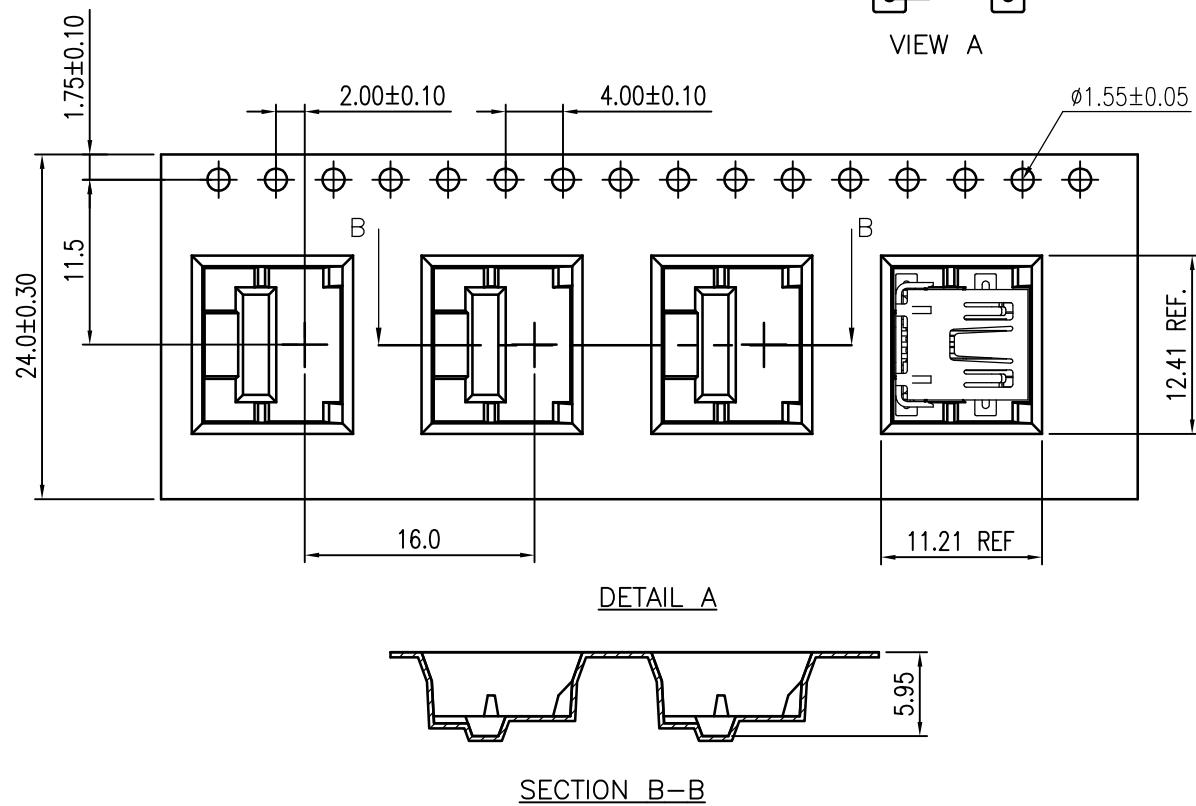
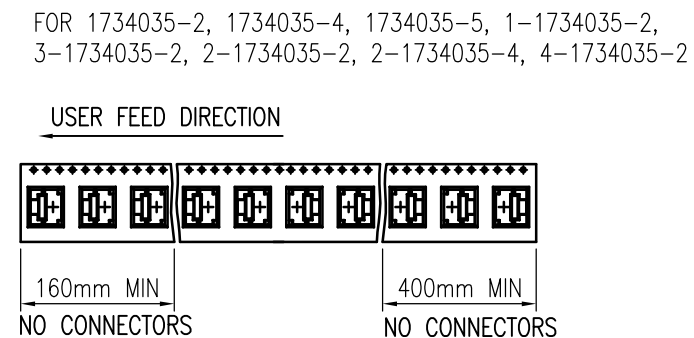
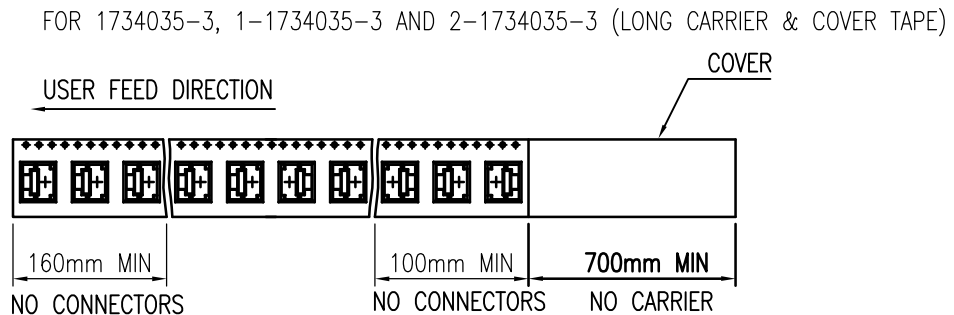
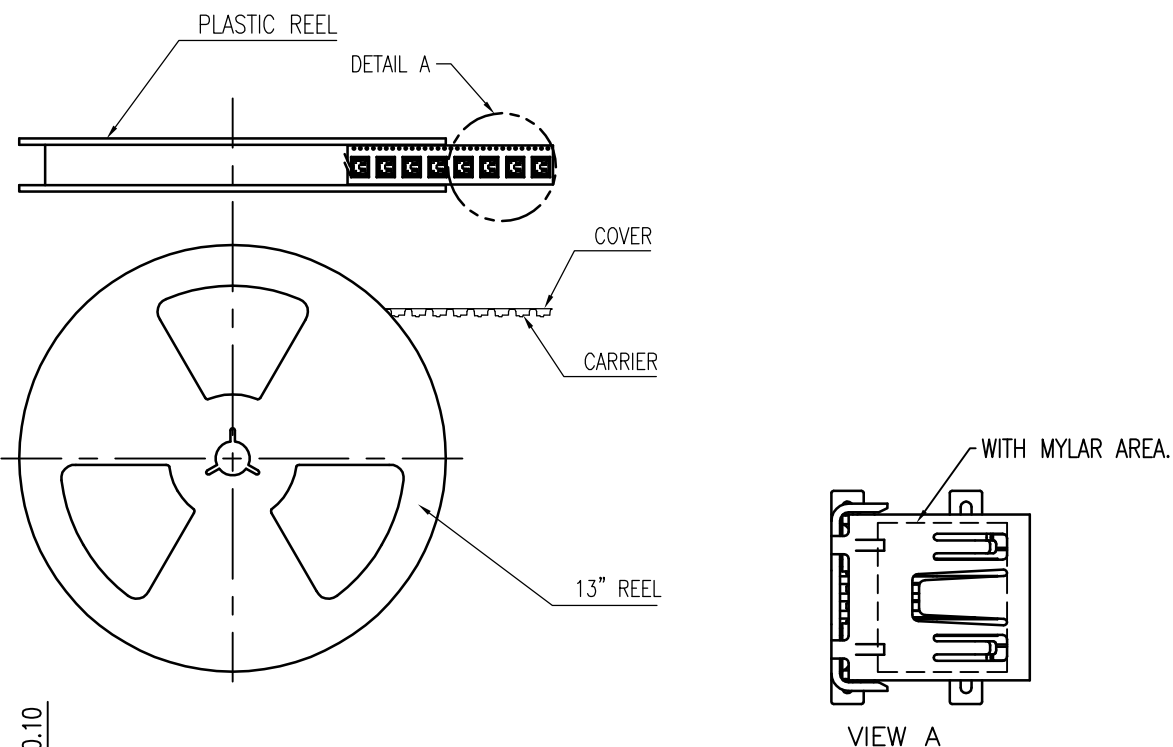
3

2

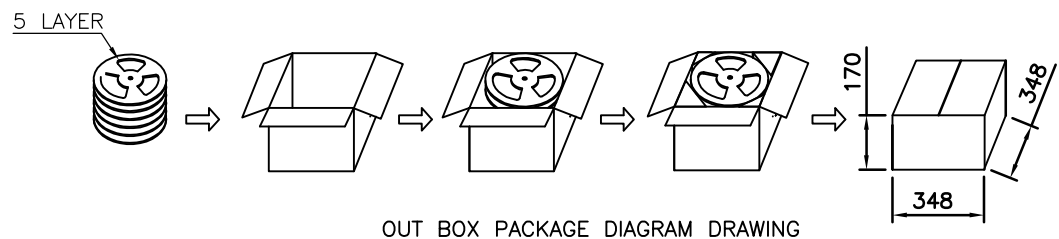
1

THIS DRAWING IS UNPUBLISHED. RELEASED FOR PUBLICATION  
 © COPYRIGHT BY TYCO ELECTRONICS CORPORATION. ALL RIGHTS RESERVED.

LOC	DIST	REVISIONS					
DW	-	P	LTR	DESCRIPTION	DATE	DWN	APVD
				SEE SHEET 1.			



4.95 Kg	2.31 Kg	700	5	3500	W/	W/O	4-1734035-2
					W/O	W/O	3-1734035-2
					W/	W/O	2-1734035-4
					W/O	W/	2-1734035-3
					W/O	W/O	2-1734035-2
					W/O	W/	1-1734035-3
					W/O	W/O	1-1734035-2
					W/	W/O	1734035-5
					W/	W/O	1734035-4
					W/O	W/	1734035-3
W/O	W/O	1734035-2					
GROSS WEIGHT	NET WEIGHT	PCS/REER	REERS / CARTON	QUANTITY	MYLAR	LONG CARRIER & COVER TAPE	PART NUMBER



THIS DRAWING IS A CONTROLLED DOCUMENT.

DIMENSIONS: MM	TOLERANCES UNLESS OTHERWISE SPECIFIED:	DWN	TE Connectivity NAME MINI USB, R/A, SMT, B TYPE
	0 PLC ± -	CHK	
	1 PLC ± -	APVD	
	2 PLC ± -	PRODUCT SPEC	
MATERIAL	FINISH	APVD	SIZE CAGE CODE DRAWING NO RESTRICTED TO A3 00779 C=1734035
CUSTOMER DRAWING		WEIGHT	SCALE SHEET 4 of 4 REV F



Компания «ЭлектроПласт» предлагает заключение долгосрочных отношений при поставках импортных электронных компонентов на взаимовыгодных условиях!

Наши преимущества:

- Оперативные поставки широкого спектра электронных компонентов отечественного и импортного производства напрямую от производителей и с крупнейших мировых складов;
- Поставка более 17-ти миллионов наименований электронных компонентов;
- Поставка сложных, дефицитных, либо снятых с производства позиций;
- Оперативные сроки поставки под заказ (от 5 рабочих дней);
- Экспресс доставка в любую точку России;
- Техническая поддержка проекта, помощь в подборе аналогов, поставка прототипов;
- Система менеджмента качества сертифицирована по Международному стандарту ISO 9001;
- Лицензия ФСБ на осуществление работ с использованием сведений, составляющих государственную тайну;
- Поставка специализированных компонентов (Xilinx, Altera, Analog Devices, Intersil, Interpoint, Microsemi, Aeroflex, Peregrine, Syfer, Eurofarad, Texas Instrument, Miteq, Cobham, E2V, MA-COM, Hittite, Mini-Circuits, General Dynamics и др.);

Помимо этого, одним из направлений компании «ЭлектроПласт» является направление «Источники питания». Мы предлагаем Вам помощь Конструкторского отдела:

- Подбор оптимального решения, техническое обоснование при выборе компонента;
- Подбор аналогов;
- Консультации по применению компонента;
- Поставка образцов и прототипов;
- Техническая поддержка проекта;
- Защита от снятия компонента с производства.



#### Как с нами связаться

**Телефон:** 8 (812) 309 58 32 (многоканальный)

**Факс:** 8 (812) 320-02-42

**Электронная почта:** [org@eplast1.ru](mailto:org@eplast1.ru)

**Адрес:** 198099, г. Санкт-Петербург, ул. Калинина, дом 2, корпус 4, литера А.