

## GW P7LM32.PM



DURIS® S 10, latest addition of chip-array SMD family, creates a single spot light design with excellent color uniformity appearance. In a 7.0x7.0mm footprint, it's new level of light output makes it a perfect choice for powerful & cost effective general lighting solutions.

### Features:

- **Package:** white SMT package, colored diffused silicone resin
- **Viewing angle at 50 % I<sub>v</sub>:** 120°
- **Color:** 4000 K - 6500 K (white)
- **CRI:** min. 70
- **Luminous Flux:** typ. 1250 lm @ 5000 K
- **Luminous efficacy:** typ. 147 lm/W @ 5000 K

### Applications

- Directional retrofits
- Downlights
- Omnidirectional retrofits
- Spot lights

DURIS® S 10, latest addition of chip-array SMD family, creates a single spot light design with excellent color uniformity appearance. In a 7.0x7.0mm footprint, it's new level of light output makes it a perfect choice for powerful & cost effective general lighting solutions.

### Besondere Merkmale:

- **Gehäusotyp:** weißes SMT Gehäuse, farbiger diffuser Silikon-Verguss
- **Abstrahlwinkel bei 50 % I<sub>v</sub>:** 120°
- **Farbe:** 4000 K - 6500 K (weiß)
- **CRI:** min. 70
- **Lichtstrom:** typ. 1250 lm @ 5000 K
- **Lichtausbeute:** typ. 147 lm/W @ 5000 K

### Anwendungen

- Direktionale Retrofits
- Downlights
- Omnidirektionale Retrofits
- Spot-Leuchten

**Ordering Information**  
**Bestellinformation**

| Type:                    | Color Temperature | Luminous Flux<br>1) page 23                     | Ordering Code |
|--------------------------|-------------------|---|---------------|
| Typ:                     | Farbtemperatur    | Lichtstrom<br>1) Seite 23                       | Bestellnummer |
|                          | [K]               | $I_F = 300 \text{ mA}$<br>$\Phi_V \text{ [lm]}$ |               |
| GW P7LM32.PM-RPRR-XX55-1 | 4000              | 1120 ... 1400                                   | Q65112A2228   |
| GW P7LM32.PM-RQRR-XX53-1 | 5000              | 1210 ... 1400                                   | Q65112A2227   |
| GW P7LM32.PM-RPRQ-XX52-1 | 5700              | 1120 ... 1300                                   | Q65112A5553   |
| GW P7LM32.PM-RPRR-XX51-1 | 6500              | 1120 ... 1400                                   | Q65112A2231   |

**Note:** The above Type Numbers represent the order groups which include only a few brightness groups (see page 5). Only one group will be shipped on each packing unit (there will be no mixing of two groups on each packing unit). E. g. GW P7LM32.PM-RQRR-XX53-1 means that only one group RQ, RR will be shippable for any packing unit.

In a similar manner for colors where forward voltage groups are measured and binned, single forward voltage groups will be shipped on any packing unit. E. g. GW P7LM32.PM-RQRR-XX53-1 means that only one forward voltage group 2A,FA,RA will be shippable.

**Anm.:** Die oben genannten Typbezeichnungen umfassen die bestellbaren Selektionen. Diese bestehen aus wenigen Helligkeitsgruppen (siehe Seite 5). Es wird nur eine einzige Helligkeitsgruppe pro Verpackungseinheit geliefert. Z. B. GW P7LM32.PM-RQRR-XX53-1 bedeutet, dass in einer Verpackungseinheit nur eine der Helligkeitsgruppen RQ, RR enthalten ist.

Gleiches gilt für die LEDs, bei denen die Durchlassspannungsgruppen gemessen und gruppiert werden. Pro Verpackungseinheit wird nur eine Durchlassspannungsgruppe geliefert. Z. B. GW P7LM32.PM-RQRR-XX53-1 bedeutet, dass nach Durchlassspannungsgruppen gruppiert wird. In einer Verpackungseinheit ist nur eine der Durchlassspannungsgruppen 2A,FA,RA enthalten (siehe Seite 5).

**Maximum Ratings**  
**Grenzwerte**

| Parameter<br>Bezeichnung  | Symbol<br>Symbol | Values<br>Werte | Unit<br>Einheit |
|---|------------------|-----------------|-----------------|
| Operating temperature range<br>Betriebstemperatur   | $T_{op}$         | -40 ... 110     | °C              |
| Storage temperature range<br>Lagertemperatur  | $T_{stg}$        | -40 ... 125     | °C              |
| Junction temperature<br>Sperrschichttemperatur  | $T_j$            | 125             | °C              |
| Forward current<br>Durchlassstrom<br>( $T_j = 25\text{ °C}$ )                                   | $I_F$            | 20 ... 400      | mA              |
| Surge current<br>Stoßstrom<br>( $t \leq 10\ \mu\text{s}$ ; $D = 0.005$ ; $T_j = 25\text{ °C}$ ) | $I_{FM}$         | 600             | mA              |
| ESD withstand voltage<br>ESD Festigkeit<br>(acc. to ANSI/ESDA/JEDEC JS-001 - HBM)               | $V_{ESD}$        | up to 2         | kV              |

**Characteristics** ( $T_J = 25\text{ °C}$ ;  $I_F = 300\text{ mA}$ )**Kennwerte**

| Parameter<br>Bezeichnung   |                            | Symbol<br>Symbol        | Values<br>Werte      | Unit<br>Einheit |
|--|----------------------------|-------------------------|----------------------|-----------------|
| Viewing angle at 50 % $I_V$<br>Abstrahlwinkel bei 50 % $I_V$   | (typ.)                     | $2\phi$                 | 120                  | °               |
| Forward voltage <sup>1) page 23</sup><br>Durchlassspannung <sup>1) Seite 23</sup>  | (min.)<br>(typ.)<br>(max.) | $V_F$<br>$V_F$<br>$V_F$ | 27.0<br>28.4<br>30.0 | V<br>V<br>V     |
| Reverse voltage<br>Sperrspannung<br>( $I_R = 20\text{ mA}$ )   | (max.)                     | $V_R$                   | 1.2                  | V               |
| Color rendering index <sup>2) page 23</sup><br>Farbwiedergabe Index <sup>2) Seite 23</sup><br>(4000K - 6500K)  | (min.)                     | $R_a$                   | 70                   | -               |
| "Electrical" thermal resistance junction / solder point<br>"Elektrischer" Wärmewiderstand Sperrschicht /<br>Lötpad<br>(with efficiency $\eta_e = 30\%$ ) | (typ.)                     | $R_{th,JS\text{el}}$    | 1.4                  | K/W             |

Note: Individual forward voltage groups see next page

Anm.: Durchlassspannungsgruppen siehe nächste Seite

**Brightness Groups**  
**Helligkeitsgruppen**

| <b>Group</b>  | <b>Luminous Flux</b> <sup>4) page 23</sup>                       | <b>Luminous Flux</b> <sup>4) page 23</sup>                       | <b>Luminous Intensity</b> <sup>5) page 23</sup>                |
|---------------|--|--|--|
| <b>Gruppe</b> | <b>Lichtstrom</b> <sup>4) Seite 23</sup><br>(min.) $\Phi_V$ [lm] | <b>Lichtstrom</b> <sup>4) Seite 23</sup><br>(max.) $\Phi_V$ [lm] | <b>Lichtstärke</b> <sup>5) Seite 23</sup><br>(typ.) $I_V$ [cd] |
| RP            | 1120   | 1210   | 370.8  |
| RQ            | 1210   | 1300   | 399.5  |
| RR            | 1300   | 1400   | 429.7  |

**Forward Voltage Groups** <sup>1) page 23</sup>  
**Durchlassspannungsgruppen** <sup>1) Seite 23</sup>

| <b>Group</b>  |                                    |                                    |
|---------------|------------------------------------|------------------------------------|
| <b>Gruppe</b> | <b>(min.) <math>V_F</math> [V]</b> | <b>(max.) <math>V_F</math> [V]</b> |
| FA            | 27.00                              | 28.00                              |
| RA            | 28.00                              | 29.00                              |
| 2A            | 29.00                              | 30.00                              |

**Chromaticity Coordinate Groups** 6) page 23  
**Farbortgruppen** 6) Seite 23



**Color Chromaticity Groups** <sup>6) page 23</sup>  
**Farbortgruppen** <sup>6) Seite 23</sup>

| CCTs  | Center |        | 3Step  |        | 5Step  |        | Ø    |
|-------|--------|--------|--------|--------|--------|--------|------|
|       | Cx     | Cy     | a      | b      | a      | b      |      |
| 2700K | 0.4577 | 0.4098 | 0.0080 | 0.0041 | 0.0133 | 0.0068 | 54.1 |
| 3000K | 0.4339 | 0.4032 | 0.0086 | 0.0042 | 0.0142 | 0.0069 | 53.7 |
| 3500K | 0.4077 | 0.3929 | 0.0093 | 0.0042 | 0.0155 | 0.0069 | 53.9 |
| 4000K | 0.3818 | 0.3796 | 0.0094 | 0.0041 | 0.0157 | 0.0068 | 53.4 |
| 4500K | 0.3613 | 0.3669 | 0.0089 | 0.0038 | 0.0148 | 0.0063 | 57.0 |
| 5000K | 0.3446 | 0.3551 | 0.0081 | 0.0035 | 0.0135 | 0.0059 | 59.8 |
| 5700K | 0.3287 | 0.3425 | 0.0072 | 0.0032 | 0.0119 | 0.0052 | 58.8 |
| 6500K | 0.3123 | 0.3282 | 0.0066 | 0.0027 | 0.0110 | 0.0045 | 58.1 |

| 2700K | 1      |        | 2      |        |
|-------|--------|--------|--------|--------|
| Bin   | Cx     | Cy     | Cx     | Cy     |
| 3A8   | 0.4628 | 0.4108 | 0.4526 | 0.4088 |
| 3B8   |        |        |        |        |

| 3000K | 1      |        | 2      |        |
|-------|--------|--------|--------|--------|
| Bin   | Cx     | Cy     | Cx     | Cy     |
| 3A7   | 0.4395 | 0.4050 | 0.4283 | 0.4014 |
| 3B7   |        |        |        |        |

| 3500K | 1      |        | 2      |        |
|-------|--------|--------|--------|--------|
| Bin   | Cx     | Cy     | Cx     | Cy     |
| 3A6   | 0.4137 | 0.3957 | 0.4017 | 0.3902 |
| 3B6   |        |        |        |        |

| 4000K | 1      |        | 2      |        |
|-------|--------|--------|--------|--------|
| Bin   | Cx     | Cy     | Cx     | Cy     |
| 3A5   | 0.3880 | 0.3832 | 0.3756 | 0.3760 |
| 3B5   |        |        |        |        |

| 2700K | 1      |        | 2      |        | 3      |        | 4      |        | 5  |    |
|-------|--------|--------|--------|--------|--------|--------|--------|--------|----|----|
| Bin   | Cx     | Cy     | Cx     | Cy     | Cx     | Cy     | Cx     | Cy     | Cx | Cy |
| E     | 0.4637 | 0.4212 | 0.4491 | 0.4081 | 0.4526 | 0.4088 | 0.4613 | 0.4166 | NA | NA |
| F     | 0.4637 | 0.4212 | 0.4663 | 0.4115 | 0.4628 | 0.4108 | 0.4613 | 0.4166 | NA | NA |
| G     | 0.4663 | 0.4115 | 0.4517 | 0.3984 | 0.4541 | 0.4030 | 0.4628 | 0.4108 | NA | NA |
| H     | 0.4541 | 0.4030 | 0.4526 | 0.4088 | 0.4491 | 0.4081 | 0.4517 | 0.3984 | NA | NA |

| 3000K | 1      |        | 2      |        | 3      |        | 4      |        | 5  |    |
|-------|--------|--------|--------|--------|--------|--------|--------|--------|----|----|
| Bin   | Cx     | Cy     | Cx     | Cy     | Cx     | Cy     | Cx     | Cy     | Cx | Cy |
| E     | 0.4393 | 0.4153 | 0.4246 | 0.4002 | 0.4283 | 0.4014 | 0.4371 | 0.4105 | NA | NA |
| F     | 0.4393 | 0.4153 | 0.4432 | 0.4062 | 0.4395 | 0.4050 | 0.4371 | 0.4105 | NA | NA |
| G     | 0.4432 | 0.4062 | 0.4285 | 0.3911 | 0.4307 | 0.3960 | 0.4395 | 0.4050 | NA | NA |
| H     | 0.4307 | 0.3960 | 0.4283 | 0.4014 | 0.4246 | 0.4002 | 0.4285 | 0.3911 | NA | NA |

| 3500K | 1      |        | 2      |        | 3      |        | 4      |        | 5  |    |
|-------|--------|--------|--------|--------|--------|--------|--------|--------|----|----|
| Bin   | Cx     | Cy     | Cx     | Cy     | Cx     | Cy     | Cx     | Cy     | Cx | Cy |
| E     | 0.4118 | 0.4054 | 0.3977 | 0.3883 | 0.4017 | 0.3902 | 0.4102 | 0.4004 | NA | NA |
| F     | 0.4118 | 0.4054 | 0.4177 | 0.3975 | 0.4137 | 0.3957 | 0.4102 | 0.4004 | NA | NA |
| G     | 0.4177 | 0.3975 | 0.4036 | 0.3804 | 0.4052 | 0.3854 | 0.4137 | 0.3957 | NA | NA |
| H     | 0.4052 | 0.3854 | 0.4017 | 0.3902 | 0.3977 | 0.3883 | 0.4036 | 0.3804 | NA | NA |

| 4000K | 1      |        | 2      |        | 3      |        | 4      |        | 5  |    |
|-------|--------|--------|--------|--------|--------|--------|--------|--------|----|----|
| Bin   | Cx     | Cy     | Cx     | Cy     | Cx     | Cy     | Cx     | Cy     | Cx | Cy |
| E     | 0.3845 | 0.3913 | 0.3714 | 0.3737 | 0.3756 | 0.3760 | 0.3834 | 0.3866 | NA | NA |
| F     | 0.3845 | 0.3913 | 0.3922 | 0.3855 | 0.3880 | 0.3832 | 0.3834 | 0.3866 | NA | NA |
| G     | 0.3922 | 0.3855 | 0.3791 | 0.3679 | 0.3802 | 0.3726 | 0.3880 | 0.3832 | NA | NA |
| H     | 0.3802 | 0.3726 | 0.3756 | 0.3760 | 0.3714 | 0.3737 | 0.3791 | 0.3679 | NA | NA |

| 4500K | 1      |        | 2      |        | 3      |        | 4      |        | 5      |        |
|-------|--------|--------|--------|--------|--------|--------|--------|--------|--------|--------|
| Bin   | Cx     | Cy     | Cx     | Cy     | Cx     | Cy     | Cx     | Cy     | Cx     | Cy     |
| E     | 0.3629 | 0.3779 | 0.3538 | 0.3664 | 0.3532 | 0.3616 | 0.3557 | 0.3632 | 0.3623 | 0.3735 |
| F     | 0.3629 | 0.3779 | 0.3709 | 0.3753 | 0.3703 | 0.3728 | 0.3669 | 0.3706 | 0.3623 | 0.3735 |
| G     | 0.3703 | 0.3728 | 0.3695 | 0.3690 | 0.3597 | 0.3559 | 0.3603 | 0.3603 | 0.3669 | 0.3706 |
| H     | 0.3603 | 0.3603 | 0.3557 | 0.3632 | 0.3532 | 0.3616 | 0.3524 | 0.3555 | 0.3597 | 0.3559 |

| 5000K | 1      |        | 2      |        | 3      |        | 4      |        | 5      |        |
|-------|--------|--------|--------|--------|--------|--------|--------|--------|--------|--------|
| Bin   | Cx     | Cy     | Cx     | Cy     | Cx     | Cy     | Cx     | Cy     | Cx     | Cy     |
| E     | 0.3451 | 0.3648 | 0.3372 | 0.3528 | 0.3371 | 0.3496 | 0.3396 | 0.3514 | 0.3449 | 0.3609 |
| F     | 0.3451 | 0.3648 | 0.3530 | 0.3612 | 0.3496 | 0.3588 | 0.3449 | 0.3609 | NA     | NA     |
| G     | 0.3530 | 0.3612 | 0.3441 | 0.3454 | 0.3443 | 0.3493 | 0.3496 | 0.3588 | NA     | NA     |
| H     | 0.3443 | 0.3493 | 0.3396 | 0.3514 | 0.3371 | 0.3496 | 0.3369 | 0.3445 | 0.3441 | 0.3454 |

| 5700K | 1      |        | 2      |        | 3      |        | 4      |        | 5      |        |
|-------|--------|--------|--------|--------|--------|--------|--------|--------|--------|--------|
| Bin   | Cx     | Cy     | Cx     | Cy     | Cx     | Cy     | Cx     | Cy     | Cx     | Cy     |
| E     | 0.3283 | 0.3502 | 0.3212 | 0.3373 | 0.3213 | 0.3365 | 0.3242 | 0.3388 | 0.3284 | 0.3471 |
| F     | 0.3283 | 0.3502 | 0.3363 | 0.3486 | 0.3332 | 0.3462 | 0.3284 | 0.3471 | NA     | NA     |
| G     | 0.3363 | 0.3486 | 0.3291 | 0.3348 | 0.3290 | 0.3379 | 0.3332 | 0.3462 | NA     | NA     |
| H     | 0.3291 | 0.3348 | 0.3215 | 0.3337 | 0.3213 | 0.3365 | 0.3242 | 0.3388 | 0.3290 | 0.3379 |

| 6500K | 1      |        | 2      |        | 3      |        | 4      |        | 5  |    |
|-------|--------|--------|--------|--------|--------|--------|--------|--------|----|----|
| Bin   | Cx     | Cy     | Cx     | Cy     | Cx     | Cy     | Cx     | Cy     | Cx | Cy |
| E     | 0.3110 | 0.3340 | 0.3054 | 0.3220 | 0.3082 | 0.3245 | 0.3115 | 0.3317 | NA | NA |
| F     | 0.3110 | 0.3340 | 0.3192 | 0.3344 | 0.3165 | 0.3319 | 0.3115 | 0.3317 | NA | NA |
| G     | 0.3192 | 0.3344 | 0.3136 | 0.3224 | 0.3131 | 0.3247 | 0.3165 | 0.3319 | NA | NA |
| H     | 0.3136 | 0.3224 | 0.3054 | 0.3220 | 0.3082 | 0.3245 | 0.3131 | 0.3247 | NA | NA |



**Group Name on Label****Gruppenbezeichnung auf Etikett**

Example: RP-31-FA

Beispiel: RP-31-FA

| <b>Brightness<br/>Helligkeit</b> | <b>Chromaticity Coordinate<br/>Farbort</b> | <b>Forward Voltage<br/>Durchlassspannung</b> |
|----------------------------------|--|--|
| RP                               | 31   | FA   |

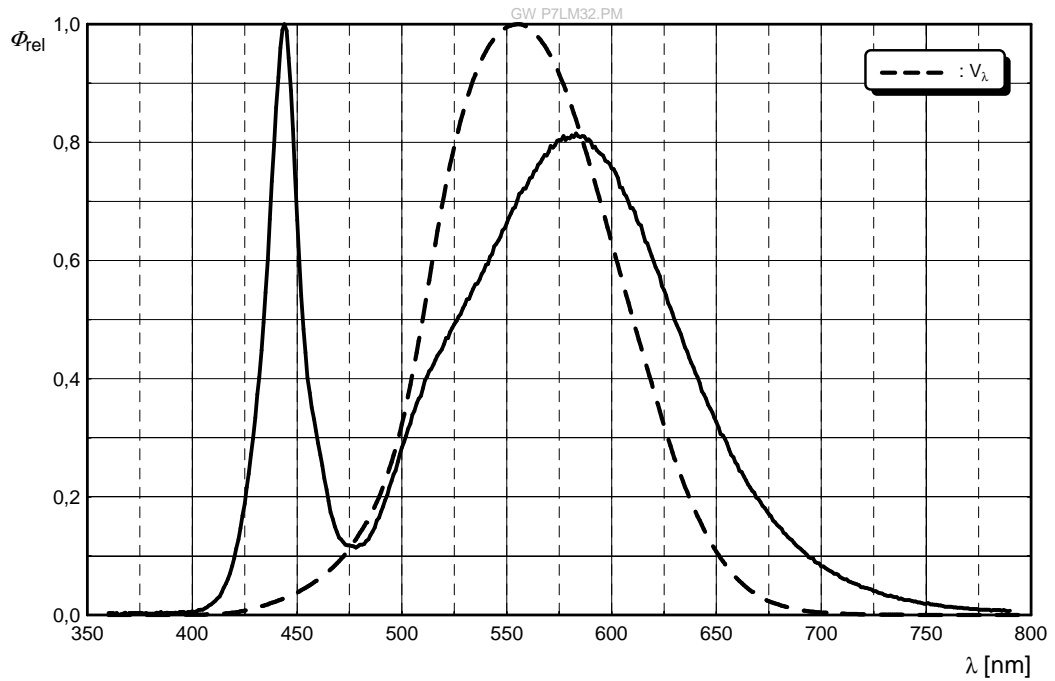
*Note: No packing unit / tape ever contains more than one group for each selection.*

*Anm.: In einer Verpackungseinheit / Gurt ist immer nur eine Gruppe für jede Selektion enthalten.*

Relative Spectral Emission -  $V(\lambda) = \text{Standard eye response curve}$  <sup>5) page 23</sup>

Relative spektrale Emission -  $V(\lambda) = \text{spektrale Augenempfindlichkeit}$  <sup>5) Seite 23</sup>

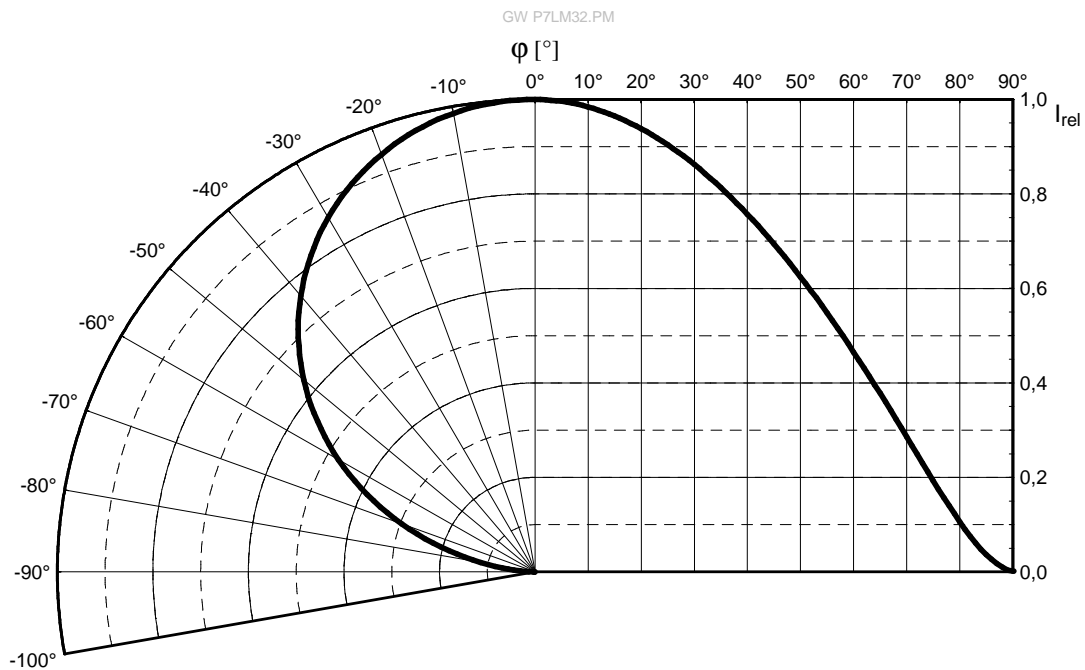
$\Phi_{rel} = f(\lambda); T_J = 25\text{ }^\circ\text{C}; I_F = 300\text{ mA}$



Radiation Characteristics <sup>5) page 23</sup>

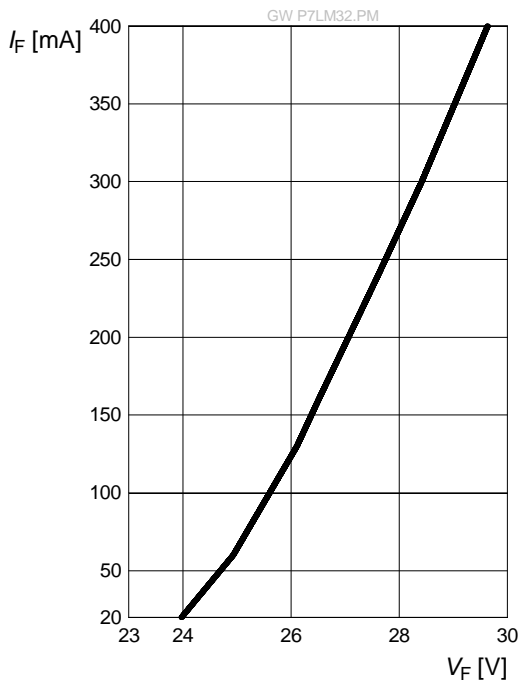
Abstrahlcharakteristik <sup>5) Seite 23</sup>

$I_{rel} = f(\phi); T_J = 25\text{ }^\circ\text{C}$



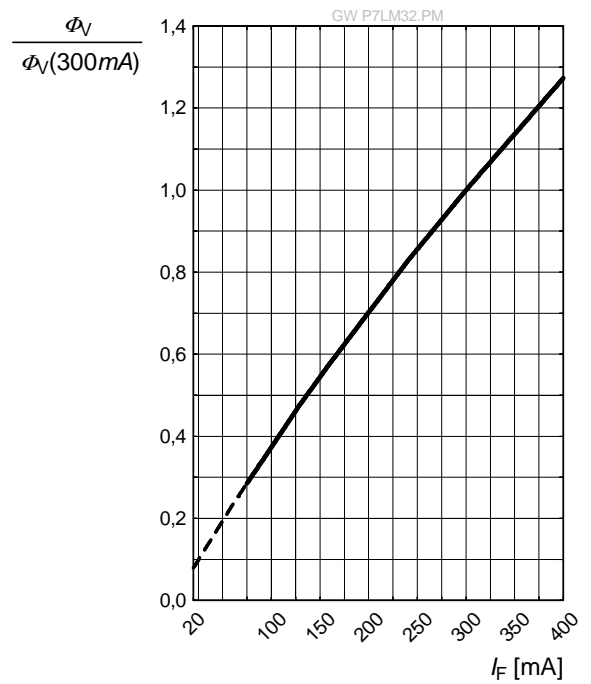
**Forward Current** <sup>5) page 23 , 7) page 23</sup>  
**Durchlassstrom** <sup>5) Seite 23 , 7) Seite 23</sup>

$I_F = f(V_F); T_J = 25\text{ °C}$



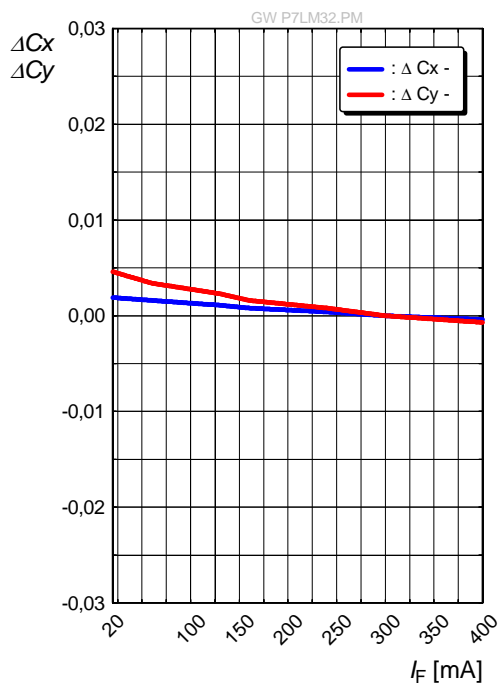
**Relative Luminous Flux** <sup>5) page 23 , 7) page 23</sup>  
**Relativer Lichtstrom** <sup>5) Seite 23 , 7) Seite 23</sup>

$\Phi_V / \Phi_V(300\text{ mA}) = f(I_F); T_J = 25\text{ °C}$



**Chromaticity Coordinate Shift** <sup>5) page 23</sup>  
**Farbortverschiebung** <sup>5) Seite 23</sup>

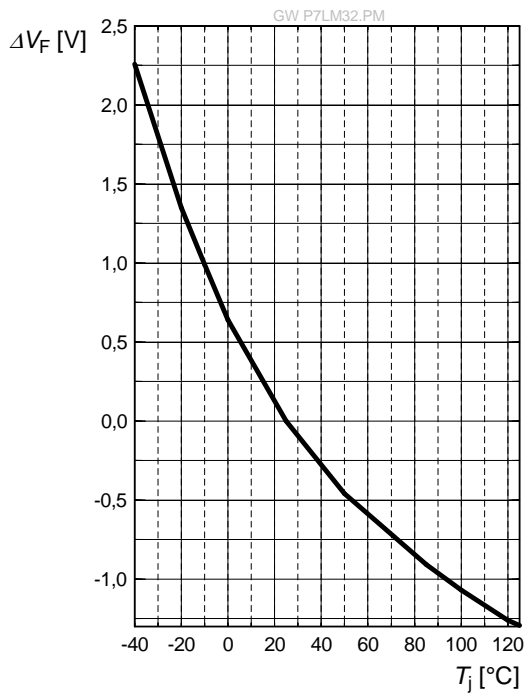
$\Delta C_x, \Delta C_y = f(I_F); T_J = 25\text{ °C}$



**Relative Forward Voltage** <sup>5) page 23</sup>

**Relative Vorwärtsspannung** <sup>5) Seite 23</sup>

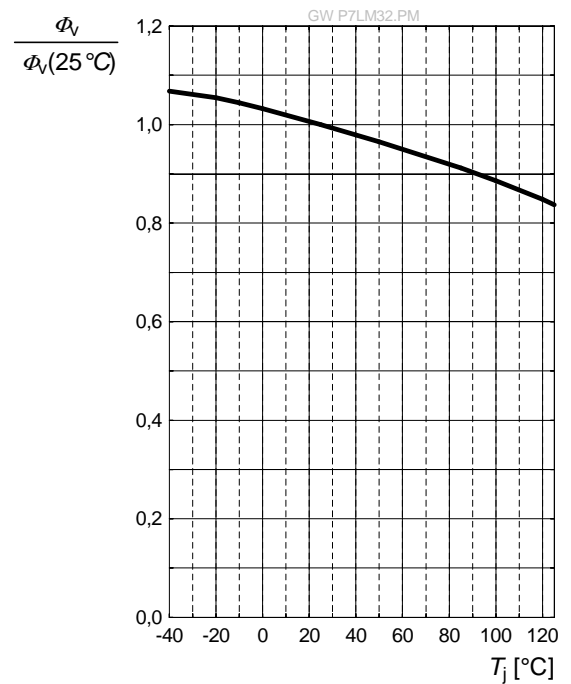
$\Delta V_F = V_F - V_F(25\text{ °C}) = f(T_j); I_F = 300\text{ mA}$



**Relative Luminous Flux** <sup>5) page 23</sup>

**Relativer Lichtstrom** <sup>5) Seite 23</sup>

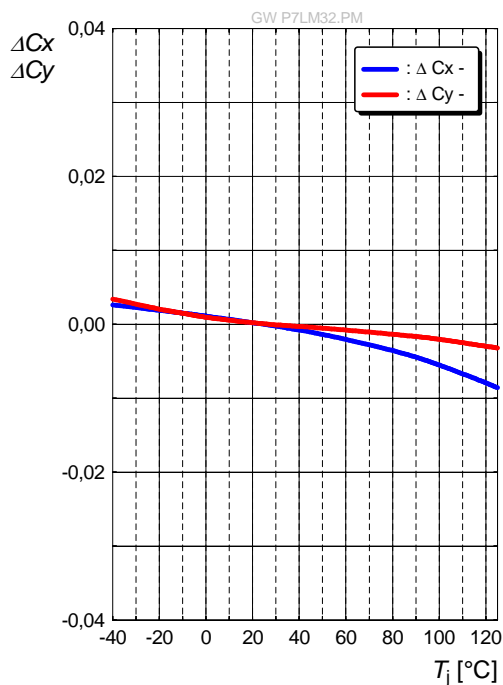
$\Phi_V/\Phi_V(25\text{ °C}) = f(T_j); I_F = 300\text{ mA}$



**Chromaticity Coordinate Shift** <sup>5) page 23</sup>

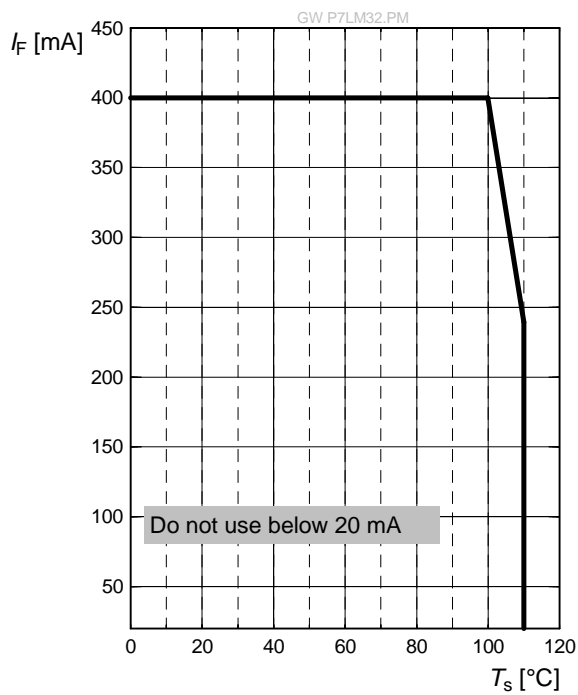
**Farbortverschiebung** <sup>5) Seite 23</sup>

$\Delta C_x, \Delta C_y = f(T_j); I_F = 300\text{ mA}$

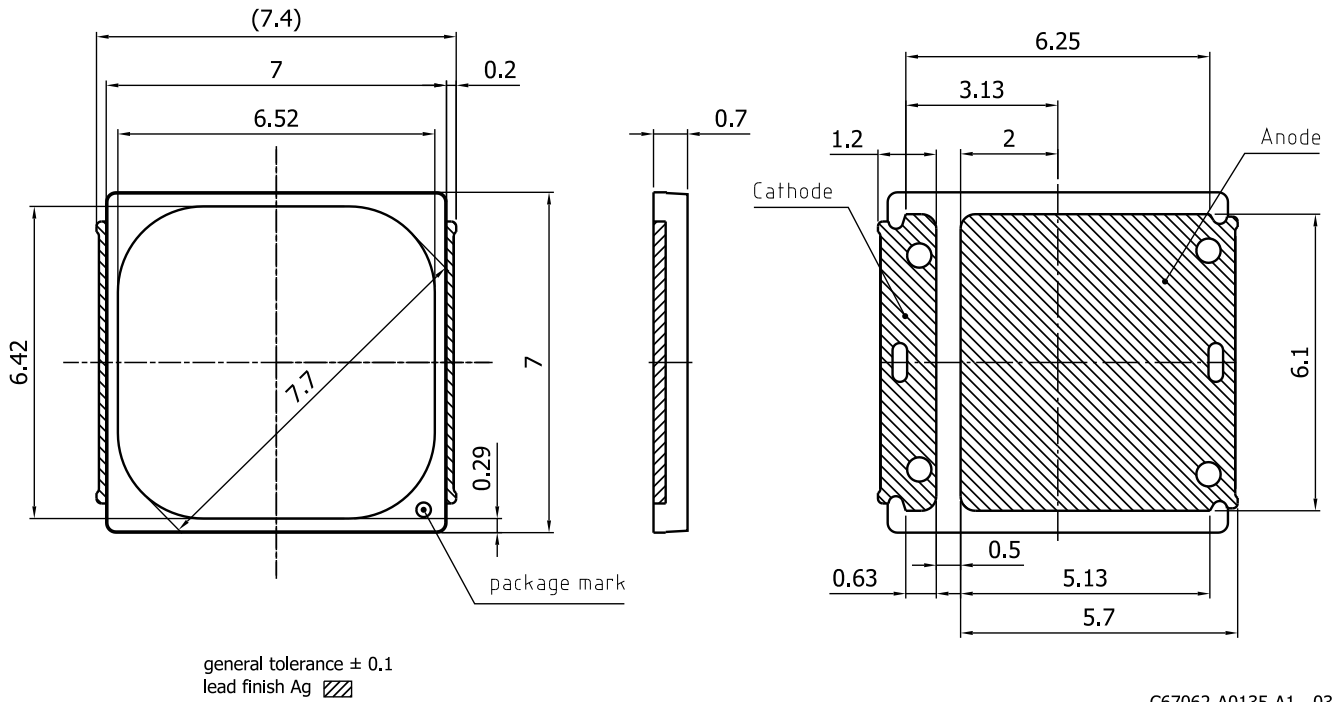


**Max. Permissible Forward Current**  
**Max. zulässiger Durchlassstrom**

$$I_F = f(T)$$



**Package Outline** <sup>8) page 23</sup>  
**Maßzeichnung** <sup>8) Seite 23</sup>



C67062-A0135-A1..-03

**Approximate Weight:**

80 mg

**Gewicht:**

80 mg

**Mark:**

Cathode

**Markierung:**

Kathode

**ESD information:**

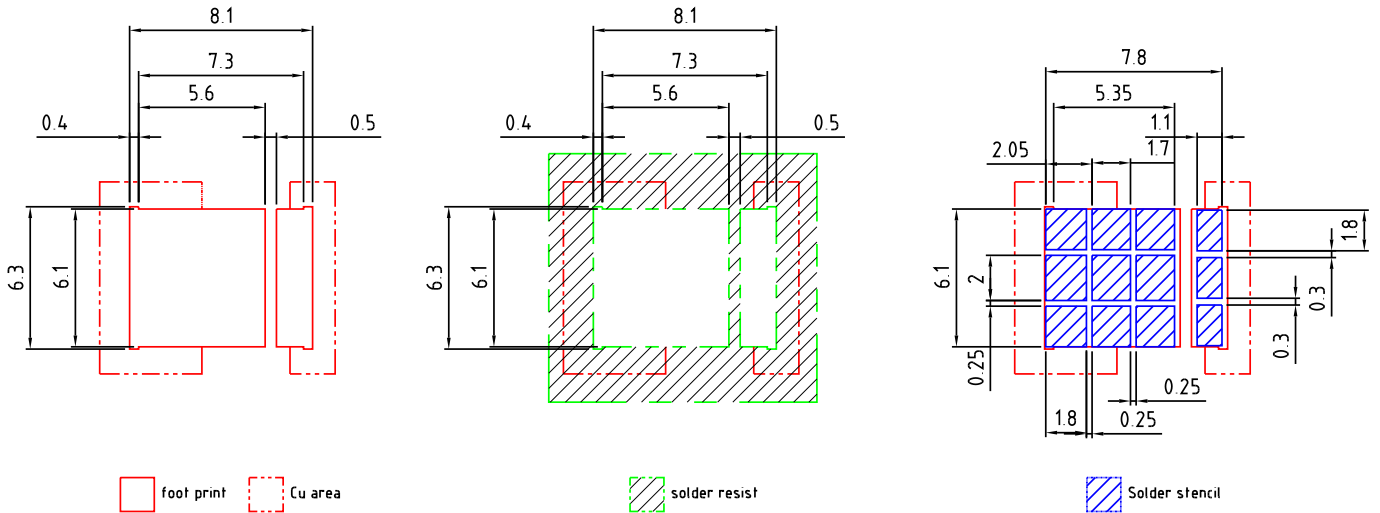
LED is protected by ESD device which is connected in parallel to LED-Chip.

**ESD Information:**

Die LED enthält ein ESD-Bauteil, das parallel zum Chip geschaltet ist.

**Recommended Solder Pad** <sup>8) page 23</sup>  
**Empfohlenes Lötpadding** <sup>8) Seite 23</sup>

Reflow soldering  
 Reflow-Löten



E067 0224 07-02

**Note:**

*Package not suitable for ultra sonic cleaning.  
 For superior solder joint connectivity results we  
 recommend soldering under standard nitrogen  
 atmosphere.*

**Anm.:**

*Das Gehäuse ist für Ultraschallreinigung nicht  
 geeignet.  
 Um eine verbesserte Lötstellenkontaktierung zu  
 erreichen, empfehlen wir, unter Standard-  
 Stickstoffatmosphäre zu löten.*

## Reflow Soldering Profile Reflow-Lötprofil

Product complies to MSL Level 3 acc. to JEDEC J-STD-020E



OHA04612

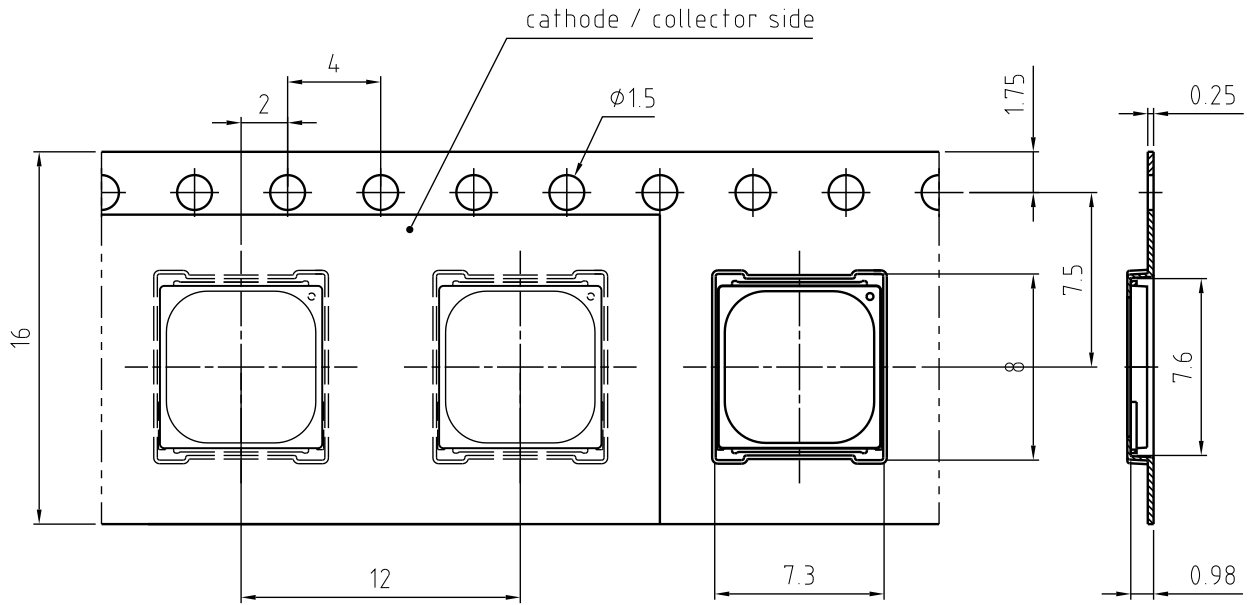
| Profile Feature<br>Profil-Charakteristik                          | Symbol<br>Symbol | Pb-Free (SnAgCu) Assembly |                |         | Unit<br>Einheit    |
|---|------------------|---------------------------|----------------|---------|--------------------|
|   |                  | Minimum                   | Recommendation | Maximum |                    |
| Ramp-up rate to preheat*)<br>25 °C to 150 °C                      |                  |                           | 2              | 3       | K/s                |
| Time $t_S$<br>$T_{Smin}$ to $T_{Smax}$                            | $t_S$            | 60                        | 100            | 120     | s                  |
| Ramp-up rate to peak*)<br>$T_{Smax}$ to $T_P$                     |                  |                           | 2              | 3       | K/s                |
| Liquidus temperature  | $T_L$            |                           | 217            |         | $^{\circ}\text{C}$ |
| Time above liquidus temperature                                   | $t_L$            |                           | 80             | 100     | s                  |
| Peak temperature  | $T_P$            |                           | 245            | 260     | $^{\circ}\text{C}$ |
| Time within 5 °C of the specified peak<br>temperature $T_P - 5$ K | $t_P$            | 10                        | 20             | 30      | s                  |
| Ramp-down rate*<br>$T_P$ to 100 °C                                |                  |                           | 3              | 6       | K/s                |
| Time<br>25 °C to $T_P$  |                  |                           |                | 480     | s                  |

All temperatures refer to the center of the package, measured on the top of the component

\* slope calculation  $DT/Dt$ :  $Dt$  max. 5 s; fulfillment for the whole T-range



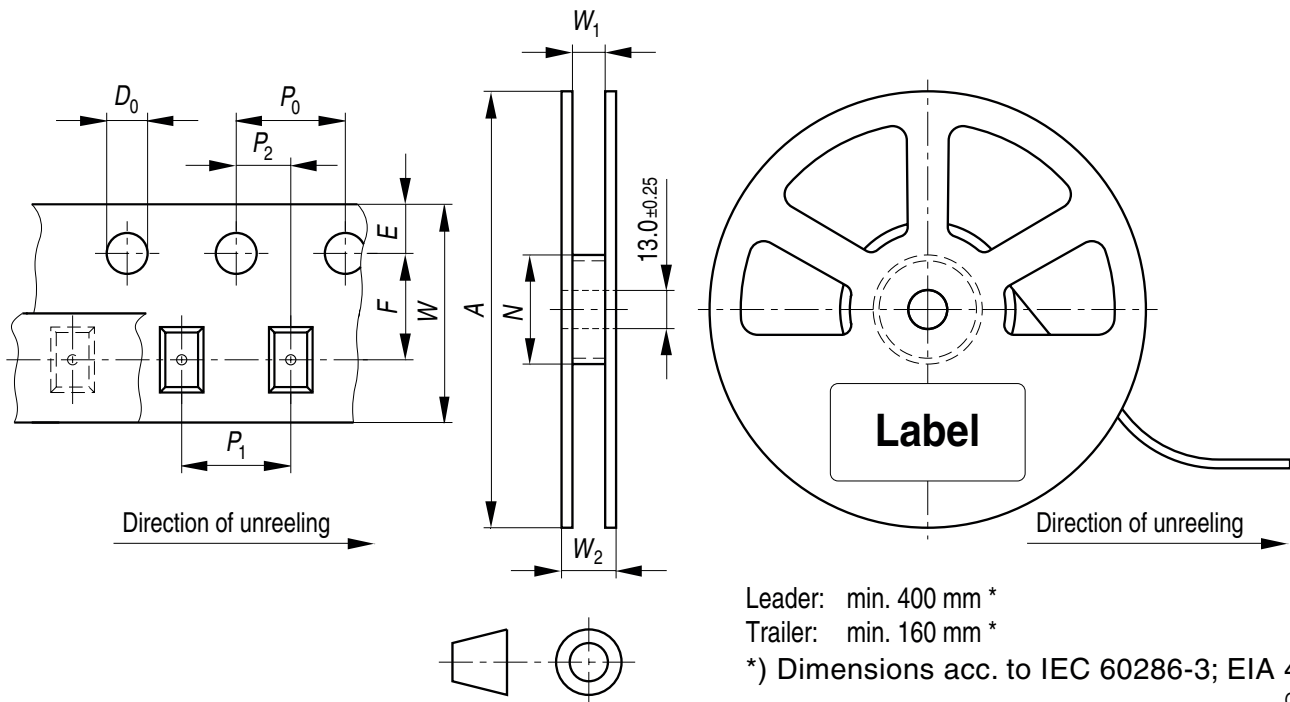
**Taping** <sup>8) page 23</sup>  
**Gurtung** <sup>8) Seite 23</sup>



C67062-A0135-B10 02

### Tape and Reel Gurtverpackung

12 mm tape with 500 pcs. on  $\varnothing$  180 mm reel



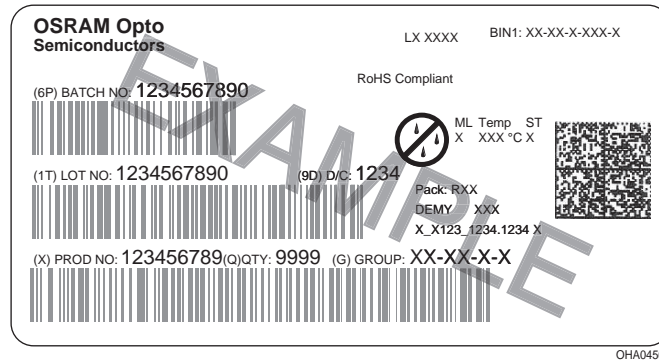
### Tape dimensions [mm] Gurtmaße [mm]

| W                | P <sub>0</sub> | P <sub>1</sub>           | P <sub>2</sub> | D <sub>0</sub> | E          | F          |
|------------------|----------------|--------------------------|----------------|----------------|------------|------------|
| 12 + 0.3 / - 0.1 | 4 ± 0.1        | 4 ± 0.1<br>or<br>8 ± 0.1 | 2 ± 0.05       | 1.5 ± 0.1      | 1.75 ± 0.1 | 5.5 ± 0.05 |

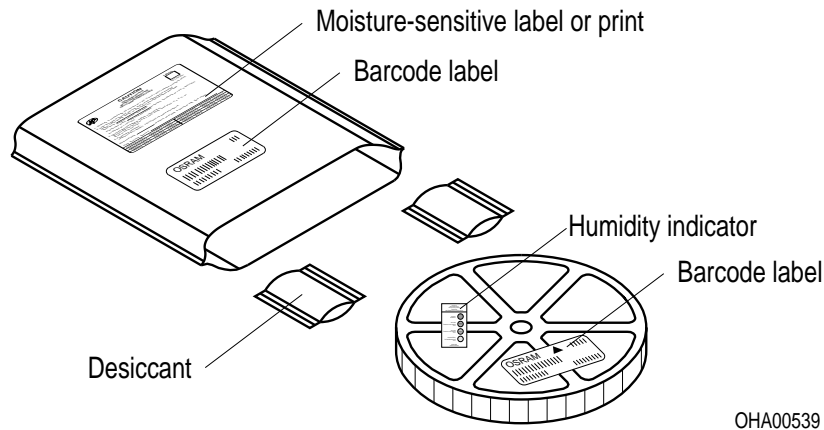
### Reel dimensions [mm] Rollenmaße [mm]

| A   | W  | N <sub>min</sub> | W <sub>1</sub> | W <sub>2max</sub> |
|-----|----|------------------|----------------|-------------------|
| 180 | 12 | 60               | 12.4 + 2       | 18.4              |

**Barcode-Product-Label (BPL)**  
**Barcode-Produkt-Etikett (BPL)**



**Dry Packing Process and Materials**  
**Trockenverpackung und Materialien**



**Note:**

Moisture-sensitive product is packed in a dry bag containing desiccant and a humidity card. Regarding dry pack you will find further information in the internet and in the Short Form Catalog in chapter "Tape and Reel" under the topic "Dry Pack". Here you will also find the normative references like JEDEC.

**Anm.:**

Feuchteempfindliche Produkte sind verpackt in einem Trockenbeutel zusammen mit einem Trockenmittel und einer Feuchteindikatorkarte. Bezüglich Trockenverpackung finden Sie weitere Hinweise im Internet und in unserem Short Form Catalog im Kapitel "Gurtung und Verpackung" unter dem Punkt "Trockenverpackung". Hier sind Normenbezüge, unter anderem ein Auszug der JEDEC-Norm, enthalten.

### Transportation Packing and Materials Kartonverpackung und Materialien



### Dimensions of transportation box in mm

| Width<br>Breite | Length<br>Länge | Height<br>Höhe |
|-----------------|-----------------|----------------|
| 195 ± 5         | 195 ± 5         | 30 ± 5         |

## Notes

The evaluation of eye safety occurs according to the standard IEC 62471:2008 ("photobiological safety of lamps and lamp systems"). Within the risk grouping system of this CIE standard, the LED specified in this data sheet fall into the class Moderate risk (exposure time 0.25 s). Under real circumstances (for exposure time, eye pupils, observation distance), it is assumed that no endangerment to the eye exists from these devices. As a matter of principle, however, it should be mentioned that intense light sources have a high secondary exposure potential due to their blinding effect. As is also true when viewing other bright light sources (e.g. spotlights), temporary reduction in visual acuity and afterimages can occur, leading to irritation, annoyance, visual impairment, and even accidents, depending on the situation.

This LED contains metal materials. Corroded metal may lead to a worsening of the optical performance of the LED and can in the worst case lead to a failure of the LED. Do not expose this LED to aggressive atmospheres. Note, that corrosive gases may as well be emitted from materials close to the LED in the final product.

This LED is designed for specific/recommended applications only. Please consult OSRAM Opto Semiconductors Sales Staff in advance for detailed information on other non-recommended applications (e.g. automotive)

OR

Please visit [www.osram-os.com/apnotes](http://www.osram-os.com/apnotes).

Change management for this component is aligned with the requirements of the lighting market.

## Hinweise

Die Bewertung der Augensicherheit erfolgt nach dem Standard IEC 62471:2008 ("photobiological safety of lamps and lamp systems"). Im Risikogruppensystem dieser CIE-Norm erfüllen die in diesem Datenblatt angegebenen LEDs folgende Gruppenanforderung - Moderate risk (Expositionsdauer 0,25 s). Unter realen Umständen (für Expositionsdauer, Augenpupille, Betrachtungsabstand) geht damit von diesen Bauelementen keinerlei Augengefährdung aus. Grundsätzlich sollte jedoch erwähnt werden, dass intensive Lichtquellen durch ihre Blendwirkung ein hohes sekundäres Gefahrenpotenzial besitzen. Nach einem Blick in eine helle Lichtquelle (z.B. Spotlights), kann ein temporär eingeschränktes Sehvermögen oder auch Nachbilder zu Irritationen, Belästigungen, Beeinträchtigungen oder sogar Unfällen führen.

Diese LED enthält teilweise metallische Bestandteile. Korrodiertes Metall kann zu einer Verschlechterung der optischen Eigenschaften und im schlimmsten Fall zum Ausfall der LED führen. Diese LED darf aggressiven Bedingungen nicht ausgesetzt werden. Es ist zu beachten, dass korrosive Gase auch von Materialien emittiert werden können, die sich im Endprodukt in unmittelbarer Umgebung der LED befinden.

Die LED ist ausschließlich für spezifisch empfohlene Anwendungen konzipiert. Bitte kontaktieren Sie das OSRAM Opto Semiconductors Vertriebspersonal für detaillierte Informationen über nicht empfohlene Anwendungsbereiche (z.B. Automobilbereich), oder besuchen Sie

[www.osram-os.com/apnotes](http://www.osram-os.com/apnotes)

Das Änderungsmanagement dieses Bauteils ist an den Anforderungen des Lichtmarktes ausgerichtet.

**Disclaimer**

Language english will prevail in case of any discrepancies or deviations between the two language wordings.

**Attention please!**

The information describes the type of component and shall not be considered as assured characteristics.

Terms of delivery and rights to change design reserved. Due to technical requirements components may contain dangerous substances.

For information on the types in question please contact our Sales Organization.

If printed or downloaded, please find the latest version in the Internet.

**Packing**

Please use the recycling operators known to you. We can also help you – get in touch with your nearest sales office.

By agreement we will take packing material back, if it is sorted. You must bear the costs of transport. For packing material that is returned to us unsorted or which we are not obliged to accept, we shall have to invoice you for any costs incurred.

**Components used in life-support devices or systems must be expressly authorized for such purpose!**

Critical components\* may only be used in life-support devices\*\* or systems with the express written approval of OSRAM OS.

\*) A critical component is a component used in a life-support device or system whose failure can reasonably be expected to cause the failure of that life-support device or system, or to affect its safety or the effectiveness of that device or system.

\*\*) Life support devices or systems are intended (a) to be implanted in the human body, or (b) to support and/or maintain and sustain human life. If they fail, it is reasonable to assume that the health and the life of the user may be endangered.

**Disclaimer**

Bei abweichenden Angaben im zweisprachigen Wortlaut haben die Angaben in englischer Sprache Vorrang.

**Bitte beachten!**

Lieferbedingungen und Änderungen im Design vorbehalten. Aufgrund technischer Anforderungen können die Bauteile Gefahrstoffe enthalten. Für weitere Informationen zu gewünschten Bauteilen, wenden Sie sich bitte an unseren Vertrieb. Falls Sie dieses Datenblatt ausgedruckt oder heruntergeladen haben, finden Sie die aktuellste Version im Internet.

**Verpackung**

Benutzen Sie bitte die Ihnen bekannten Recyclingwege. Wenn diese nicht bekannt sein sollten, wenden Sie sich bitte an das nächstgelegene Vertriebsbüro. Wir nehmen das Verpackungsmaterial zurück, falls dies vereinbart wurde und das Material sortiert ist. Sie tragen die Transportkosten. Für Verpackungsmaterial, das unsortiert an uns zurückgeschickt wird oder das wir nicht annehmen müssen, stellen wir Ihnen die anfallenden Kosten in Rechnung.

**Bauteile, die in lebenserhaltenden Apparaten und Systemen eingesetzt werden, müssen für diese Zwecke ausdrücklich zugelassen sein!**

Kritische Bauteile\* dürfen in lebenserhaltenden Apparaten und Systemen\*\* nur dann eingesetzt werden, wenn ein schriftliches Einverständnis von OSRAM OS vorliegt.

\*) Ein kritisches Bauteil ist ein Bauteil, das in lebenserhaltenden Apparaten oder Systemen eingesetzt wird und dessen Defekt voraussichtlich zu einer Fehlfunktion dieses lebenserhaltenden Apparates oder Systems führen wird oder die Sicherheit oder Effektivität dieses Apparates oder Systems beeinträchtigt.

\*\*) Lebenserhaltende Apparate oder Systeme sind für (a) die Implantierung in den menschlichen Körper oder (b) für die Lebenserhaltung bestimmt. Falls Sie versagen, kann davon ausgegangen werden, dass die Gesundheit und das Leben des Patienten in Gefahr ist.

## Glossary

- 1) **Brightness:** Brightness values are measured during a current pulse of typically 10 ms, with a tolerance of +/- 7%.
- 2) **Forward Voltage:** The Forward voltage is measured during a current pulse duration of typically 1 ms with a tolerance of  $\pm 0.05V$ .
- 3) **Color reproduction index:** Color reproduction index values (CRI-RA) are measured during a current pulse of typically 10 ms and with a tolerance of  $\pm 2$ .
- 4) **Typical Values:** Due to the special conditions of the manufacturing processes of LED, the typical data or calculated correlations of technical parameters can only reflect statistical figures. These do not necessarily correspond to the actual parameters of each single product, which could differ from the typical data and calculated correlations or the typical characteristic line. If requested, e.g. because of technical improvements, these typ. data will be changed without any further notice.
- 5) **Chromaticity coordinate groups:** Chromaticity coordinate groups are measured during a current pulse duration of typically 10ms with a tolerance of  $\pm 0.005$ .
- 6) **Characteristic curve:** In the range where the line of the graph is broken, you must expect higher differences between single LEDs within one packing unit.
- 7) **Tolerance of Measure:** Unless otherwise noted in drawing, tolerances are specified with  $\pm 0.1$  and dimensions are specified in mm.

## Glossar

- 1) **Helligkeit:** Helligkeitswerte werden während eines Strompulses mit einer typischen Dauer von 10 ms, mit einer Genauigkeit von  $\pm 7\%$  ermittelt.
- 2) **Vorwärtsspannung:** Spannungswerte werden mit einer Stromeinprägedauer von 1 ms, mit einer Genauigkeit von  $\pm 0.05 V$  ermittelt.
- 3) **Farbwiedergabe Index:** Werte des Farbwiedergabe Index (CRI-RA) werden während eines Strompulses einer typischen Dauer von 10 ms, mit einer Genauigkeit von  $\pm 2$  ermittelt.
- 4) **Typische Werte:** Wegen der besonderen Prozessbedingungen bei der Herstellung von LED können typische oder abgeleitete technische Parameter nur aufgrund statistischer Werte wiedergegeben werden. Diese stimmen nicht notwendigerweise mit den Werten jedes einzelnen Produktes überein, dessen Werte sich von typischen und abgeleiteten Werten oder typischen Kennlinien unterscheiden können. Falls erforderlich, z.B. aufgrund technischer Verbesserungen, werden diese typischen Werte ohne weitere Ankündigung geändert.
- 5) **Farbortgruppen:** Farbortgruppen werden mit einer Stromeinprägedauer von 10 ms, mit einer Genauigkeit von  $\pm 0.005$  ermittelt.
- 6) **Kennlinien:** Im gestrichelten Bereich der Kennlinien muss mit erhöhten Abweichungen zwischen Leuchtdioden innerhalb einer Verpackungseinheit gerechnet werden.
- 7) **Maßtoleranz:** Wenn in der Zeichnung nicht anders angegeben, gilt eine Toleranz von  $\pm 0,1$ . Maße werden in mm angegeben.

**Published by OSRAM Opto Semiconductors GmbH**  
**Leibnizstraße 4, D-93055 Regensburg**  
**www.osram-os.com © All Rights Reserved.**

EU RoHS and China RoHS compliant product



此产品符合欧盟 RoHS 指令的要求；  
按照中国的相关法规和标准，不含有毒有害物质或元素。





Компания «ЭлектроПласт» предлагает заключение долгосрочных отношений при поставках импортных электронных компонентов на взаимовыгодных условиях!

Наши преимущества:

- Оперативные поставки широкого спектра электронных компонентов отечественного и импортного производства напрямую от производителей и с крупнейших мировых складов;
- Поставка более 17-ти миллионов наименований электронных компонентов;
- Поставка сложных, дефицитных, либо снятых с производства позиций;
- Оперативные сроки поставки под заказ (от 5 рабочих дней);
- Экспресс доставка в любую точку России;
- Техническая поддержка проекта, помощь в подборе аналогов, поставка прототипов;
- Система менеджмента качества сертифицирована по Международному стандарту ISO 9001;
- Лицензия ФСБ на осуществление работ с использованием сведений, составляющих государственную тайну;
- Поставка специализированных компонентов (Xilinx, Altera, Analog Devices, Intersil, Interpoint, Microsemi, Aeroflex, Peregrine, Syfer, Eurofarad, Texas Instrument, Miteq, Cobham, E2V, MA-COM, Hittite, Mini-Circuits, General Dynamics и др.);

Помимо этого, одним из направлений компании «ЭлектроПласт» является направление «Источники питания». Мы предлагаем Вам помощь Конструкторского отдела:

- Подбор оптимального решения, техническое обоснование при выборе компонента;
- Подбор аналогов;
- Консультации по применению компонента;
- Поставка образцов и прототипов;
- Техническая поддержка проекта;
- Защита от снятия компонента с производства.



#### Как с нами связаться

**Телефон:** 8 (812) 309 58 32 (многоканальный)

**Факс:** 8 (812) 320-02-42

**Электронная почта:** [org@eplast1.ru](mailto:org@eplast1.ru)

**Адрес:** 198099, г. Санкт-Петербург, ул. Калинина, дом 2, корпус 4, литера А.