

The PowerMod® connector family offers minimum size and high power. The high performance contacts and insulator are rated for 30 amps continuous. Applications requiring lower operating temperatures can be de-rated using our current-temperature chart.

The three row male PowerMod connectors are offered in 6, 8, 12 and 16 circuit sizes. The connectors are available with straight crimp, straight PCB or right angle PCB contacts.

APP connectors are manufactured using the finest materials and world-class manufacturing processes. They embody the highest quality in the industry and meet all applicable industry standards.

FEATURES

- **Mechanically polarized housings**

Only mate one-way, ensuring proper mating

- **High reliability positive retention latches**

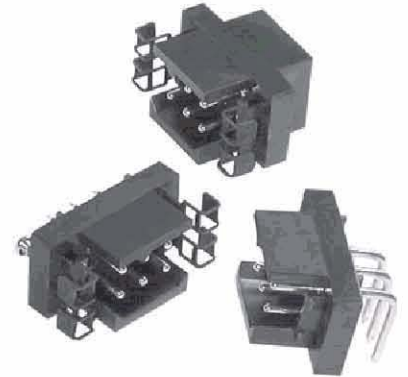
Are made from stainless steel to provide optimum performance

- **PCB, panel or cable mounting**

A wide variety of contact styles with optional mounting brackets, panel clips and back-shell hoods provide broad design flexibility

- **Optional sequential contact mating**

4 pin contact lengths can be custom specified for make-first/break-last or make-last/break-first circuits



SPECIFICATIONS

Electrical

Current rating IEC 512-3, UL 1977	30 Amps
Voltage Rating UL & CSA	600 Volts (AC/DC)
Creepage/Clearance Distance	3.2 mm (.125") Min
Contact Resistance per IEC 512-2	3 milliohms
Dielectric Strength per IEC 512-2	2200 V
Contact Wire Range (AWG) (mm ²)	#24 to #12 0.25 to 4.0
Operating Temperature Range °C °F	-55° to 180° -67° to 356°



Mechanical

Connect/Disconnect Cycles	1000 cycles
No Load per IEC 512-5	10 oz (3N) avg.
Mating/Unmating Force per IEC 512-13	18 lb (80N) Crimps
Contact Retention per IEC 512-8	9 lb (40N) PCB Connector

Materials

Insulator	PPS UL94 V-0, material group IIIa
Pins	Copper alloy, 10 μ inch Au over 50 Ni
Tail Solder (PCB contacts)	Sn/Ag/Cu (lead free)
Retention Clips	Stainless steel
Hoods	PBT UL94 V-0

ORDERING INFORMATION

PowerMod Part Number Plan - Two Row Male

Series	Rows	# Poles	Gender	Contact	Latch	Mounting	Customized Connector
P	M	2	0 6	M	B A	L C H	- X X X
2							Consult factory for options
06, 08, 12, 16 Poles						OO - None SB - R/A PCB Snap Bracket HB - R/A PCB Bracket with Hole ST - Self-tapping screws for straight PCB mount SP - Push in fastener for straight PCB mount CH - With clam-shell hood PC - Panel Clip MC - Mounting Clip SC - Screw for 1.6mm panel mount	
M - Male						L - Connector with latch (standard for contact type OO) O - No latch	

Crimp Contacts

Part Number	Description
Standard Length 7.7mm	
PM16P2024S30	AWG 24-20
PM16P1620S30	AWG 20-16
PM16P1416S30	AWG 16-14
PM16P12S30	AWG 12
Pre-Mate 9.3mm	
PM16P2024A30	AWG 24-20
PM16P1620A30	AWG 20-16
PM16P1416A30	AWG 16-14
PM16P12A30	AWG 12
Pre-Mate 8.5mm	
PM16P2024B30	AWG 24-20
PM16P1620B30	AWG 20-16
PM16P1416B30	AWG 16-14
PM16P12B30	AWG 12
Post-Mate 6.6mm	
PM16P2024C30	AWG 24-20
PM16P1620C30	AWG 20-16
PM16P1416C30	AWG 16-14
PM16P12C30	AWG 12

Tooling

Part Number	Description	Part Number	Description
PM1000G1	Four indent hand tool	Pm1002G1	Contact insertion tool
PM1001G1	Loose crimp piece machine (semi/auto)	Pm1003G1	Contact extraction tool

HEADQUARTERS: 13 Pratts Junction Road, P.O. Box 579, Sterling, MA 01564 T:978-422-3600 F:978-422-3700

EUROPE: Rathealy Road, Fermoy Co. Cork, Ireland T:353-(0)25-32277 F:353-(0)25-32296

ASIA/PACIFIC: IDEAL Anderson Asia Pacific Ltd., Unit 922-928 Topsail Plaza, 11 On Sum Street, Shatin N.T., Hong Kong T:852-2636-0836 F:852-2635-9036

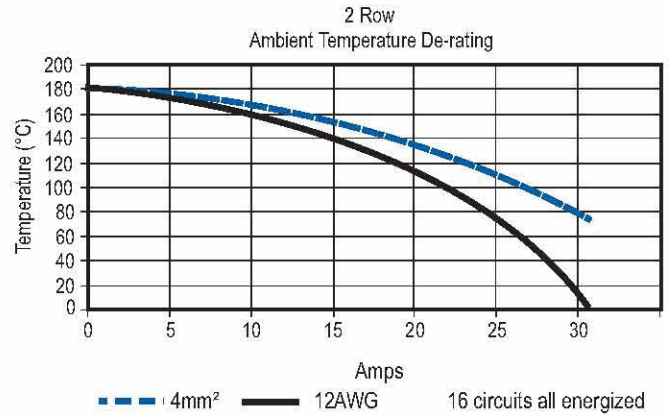
CHINA: IDEAL Anderson Technologies (Shenzhen) Ltd., Block A8 Tantou W Ind. Par, Songgang Baoan District, Shenzhen, PR. China 51810 T: 86-755-2768-2118 F: 86-755-2768-2218

TAIWAN: IDEAL Anderson Asia Pacific Ltd., Taiwan Branch, 4F-2, No.116, Dadun 20th St., Situn District, Taichung City 407, Taiwan (R.O.C.) T: 886-4-2310-6451 F:886-4-2310-6460

www.andersonpower.com

Two Row Cable Connector (male)

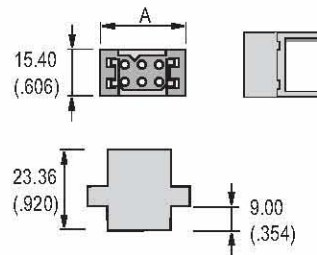
TEMPERATURE CHARTS



DIMENSIONS - mm(in.)

Cable Connector

ROWS CONTACTS	-A-	
	mm	in.
2 - 06	28.5	1.12
2 - 08	33.5	1.32
2 - 12	43.5	1.71
2 - 16	53.5	2.11



See accessory section for panel clip and mounting clip cut-out dimensions.

ORDERING INFORMATION

Cable Connector

Part Number	Description
PM206MOOLOO	2x3 MALE Cable Connector
PM208MOOLOO	2x4 MALE Cable Connector
PM212MOOLOO	2x6 MALE Cable Connector
PM216MOOLOO	2x8 MALE Cable Connector

Panel Mount With Mounting Clip

Part Number	Description
PM206MOOLMC	2x3 MALE Cable Connector
PM208MOOLMC	2x4 MALE Cable Connector
PM212MOOLMC	2x6 MALE Cable Connector
PM216MOOLMC	2x8 MALE Cable Connector

With Clam Shell Hood & Strain Relief

Part Number	Description
PM206MOOLCH	2x3 MALE Cable Connector
PM208MOOLCH	2x4 MALE Cable Connector
PM212MOOLCH	2x6 MALE Cable Connector
PM216MOOLCH	2x8 MALE Cable Connector

Panel Mount With Screws

Part Number	Description
PM206MOOLSC	2x3 MALE Cable Connector
PM208MOOLSC	2x4 MALE Cable Connector
PM212MOOLSC	2x6 MALE Cable Connector
PM216MOOLSC	2x8 MALE Cable Connector

With Snap-in Panel Clip

Part Number	Description
PM206MOOLPC	2x3 MALE Cable Connector
PM208MOOLPC	2x4 MALE Cable Connector
PM212MOOLPC	2x6 MALE Cable Connector
PM216MOOLPC	2x8 MALE Cable Connector

HEADQUARTERS: 13 Pratts Junction Road, P.O. Box 579, Sterling, MA 01564 T:978-422-3600 F:978-422-3700

EUROPE: Ratelye Road, Fernoy Co. Cork, Ireland T:353-(0)25-32277 F:353-(0)25-32296

ASIA/PACIFIC: IDEAL Anderson Asia Pacific Ltd., Unit 922-928 Topsail Plaza, 11 On Sum Street, Shatin N.T., Hong Kong T:852-2636-0836 F:852-2635-9036

CHINA: IDEAL Anderson Technologies (Shenzhen) Ltd., Block A8 Tantou W Ind. Par, Songgang Baoan District, Shenzhen, PR. China 51810 T: 86-755-2768-2118 F: 86-755-2768-2218

TAIWAN: IDEAL Anderson Asia Pacific Ltd., Taiwan Branch, 4F-2, No.116, Dadun 20th St., Situn District, Taichung City 407, Taiwan (R.O.C.) T: 886-4-2310-6451 F:886-4-2310-6460

www.andersonpower.com

Two Row Straight PCB (male)

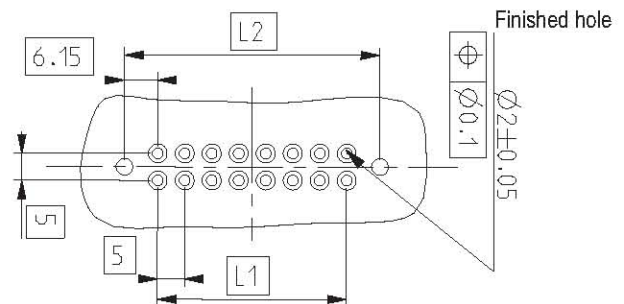
DIMENSIONS - mm(in.)

2 Row - PCB Straight Solder Connector



2 Row - PCB Hole Layout For Straight Solder Connector

ROWS CONTACTS	A		L1		L2	
	mm	in.	mm	in.	mm	in.
2 - 06	28.5	1.12	10	0.39	22.3	0.88
2 - 08	33.5	1.32	15	0.59	27.3	1.07
2 - 12	43.5	1.71	25	0.98	37.3	1.47
2 - 16	53.5	2.11	35	1.38	47.3	1.86



ORDERING INFORMATION

With Latch

Part Number	Description
PM206MBALOO	2x3 MALE Straight PCB Solder
PM208MBALOO	2x4 MALE Straight PCB Solder
PM212MBALOO	2x6 MALE Straight PCB Solder
PM216MBALOO	2x8 MALE Straight PCB Solder

No Latch

Part Number	Description
PM206MBAOOO	2x3 PIN Straight PCB Solder
PM208MBAOOO	2x4 PIN Straight PCB Solder
PM212MBAOOO	2x6 PIN Straight PCB Solder
PM216MBAOOO	2x8 PIN Straight PCB Solder

Push On PCB Fastener & Latch

Part Number	Description
PM206MBALSP	2x3 MALE Straight PCB Solder
PM208MBALSP	2x4 MALE Straight PCB Solder
PM212MBALSP	2x6 MALE Straight PCB Solder
PM216MBALSP	2x8 MALE Straight PCB Solder

Push On PCB Fastener & No Latch

Part Number	Description
PM206MBAOSP	2x3 PIN Straight PCB Solder
PM208MBAOSP	2x4 PIN Straight PCB Solder
PM212MBAOSP	2x6 PIN Straight PCB Solder
PM216MBAOSP	2x8 PIN Straight PCB Solder

Self-tapping Screws For PCB Mount & Latch

Part Number	Description
PM206MBALST	2x3 MALE Straight PCB Solder
PM208MBALST	2x4 MALE Straight PCB Solder
PM212MBALST	2x6 MALE Straight PCB Solder
PM216MBALST	2x8 MALE Straight PCB Solder

Self-tapping Screws For PCB Mount & No Latch

Part Number	Description
PM206MBAOST	2x3 PIN Straight PCB Solder
PM208MBAOST	2x4 PIN Straight PCB Solder
PM212MBAOST	2x6 PIN Straight PCB Solder
PM216MBAOST	2x8 PIN Straight PCB Solder

PCB contacts and mounting accessories are designed for a board thickness of 1.60mm (.063) with a contact protrusion of 2.10 (.083). Other contact lengths are available upon request.



Компания «ЭлектроПласт» предлагает заключение долгосрочных отношений при поставках импортных электронных компонентов на взаимовыгодных условиях!

Наши преимущества:

- Оперативные поставки широкого спектра электронных компонентов отечественного и импортного производства напрямую от производителей и с крупнейших мировых складов;
- Поставка более 17-ти миллионов наименований электронных компонентов;
- Поставка сложных, дефицитных, либо снятых с производства позиций;
- Оперативные сроки поставки под заказ (от 5 рабочих дней);
- Экспресс доставка в любую точку России;
- Техническая поддержка проекта, помощь в подборе аналогов, поставка прототипов;
- Система менеджмента качества сертифицирована по Международному стандарту ISO 9001;
- Лицензия ФСБ на осуществление работ с использованием сведений, составляющих государственную тайну;
- Поставка специализированных компонентов (Xilinx, Altera, Analog Devices, Intersil, Interpoint, Microsemi, Aeroflex, Peregrine, Syfer, Eurofarad, Texas Instrument, Miteq, Cobham, E2V, MA-COM, Hittite, Mini-Circuits, General Dynamics и др.);

Помимо этого, одним из направлений компании «ЭлектроПласт» является направление «Источники питания». Мы предлагаем Вам помощь Конструкторского отдела:

- Подбор оптимального решения, техническое обоснование при выборе компонента;
- Подбор аналогов;
- Консультации по применению компонента;
- Поставка образцов и прототипов;
- Техническая поддержка проекта;
- Защита от снятия компонента с производства.



Как с нами связаться

Телефон: 8 (812) 309 58 32 (многоканальный)

Факс: 8 (812) 320-02-42

Электронная почта: org@eplast1.ru

Адрес: 198099, г. Санкт-Петербург, ул. Калинина, дом 2, корпус 4, литера А.