

The PowerMod® connector family offers minimum size and high power. The high performance contacts and insulator are rated for 30 amps continuous. Applications requiring lower operating temperatures can be de-rated using our current-temperature chart.

The three row male PowerMod connectors are offered in 6, 8, 12 and 16 circuit sizes. The connectors are available with straight crimp, straight PCB or right angle PCB contacts.

APP connectors are manufactured using the finest materials and world-class manufacturing processes. They embody the highest quality in the industry and meet all applicable industry standards.

FEATURES

- **Mechanically polarized housings**

Only mate one-way, ensuring proper mating

- **High reliability positive retention latches**

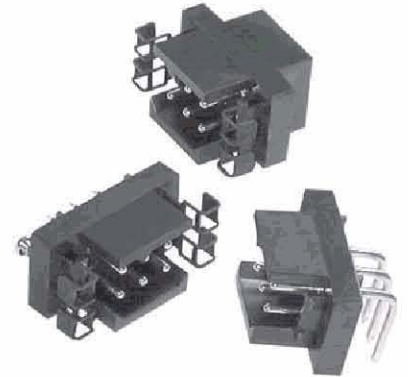
Are made from stainless steel to provide optimum performance

- **PCB, panel or cable mounting**

A wide variety of contact styles with optional mounting brackets, panel clips and back-shell hoods provide broad design flexibility

- **Optional sequential contact mating**

4 pin contact lengths can be custom specified for make-first/break-last or make-last/break-first circuits



SPECIFICATIONS

Electrical

| | |
|--|------------------------------|
| Current rating IEC 512-3, UL 1977 | 30 Amps |
| Voltage Rating UL & CSA | 600 Volts (AC/DC) |
| Creepage/Clearance Distance | 3.2 mm (.125") Min |
| Contact Resistance per IEC 512-2 | 3 milliohms |
| Dielectric Strength per IEC 512-2 | 2200 V |
| Contact Wire Range (AWG) (mm ²) | #24 to #12 0.25 to 4.0 |
| Operating Temperature Range °C °F | -55° to 180° -67° to 356° |



Mechanical

| | |
|--|--|
| Connect/Disconnect Cycles No Load per IEC 512-5 | 1000 cycles |
| Mating/Unmating Force per IEC 512-13 | 10 oz (3N) avg. |
| Contact Retention per IEC 512-8 | 18 lb (80N) Crimps 9 lb (40N) PCB Connector |

Materials

| | |
|----------------------------|---------------------------------------|
| Insulator | PPS UL94 V-0, material group IIIa |
| Pins | Copper alloy, 10 μ inch Au over 50 Ni |
| Tail Solder (PCB contacts) | Sn/Ag/Cu (lead free) |
| Retention Clips | Stainless steel |
| Hoods | PBT UL94 V-0 |

ORDERING INFORMATION

PowerMod Part Number Plan - Two Row Male

| Series | Rows | # Poles | Gender | Contact | Latch | Mounting | Customized Connector |
|----------------------|------|---------|--------|---------|-------|---|-----------------------------|
| P | M | 2 | 0 6 | M | B A | L C H | - X X X |
| 2 | | | | | | | Consult factory for options |
| 06, 08, 12, 16 Poles | | | | | | OO - None SB - R/A PCB Snap Bracket HB - R/A PCB Bracket with Hole ST - Self-tapping screws for straight PCB mount SP - Push in fastener for straight PCB mount CH - With clam-shell hood PC - Panel Clip MC - Mounting Clip SC - Screw for 1.6mm panel mount | |
| M - Male | | | | | | L - Connector with latch (standard for contact type OO) O - No latch | |

Crimp Contacts

| Part Number | Description |
|-----------------------|-------------|
| Standard Length 7.7mm | |
| PM16P2024S30 | AWG 24-20 |
| PM16P1620S30 | AWG 20-16 |
| PM16P1416S30 | AWG 16-14 |
| PM16P12S30 | AWG 12 |
| Pre-Mate 9.3mm | |
| PM16P2024A30 | AWG 24-20 |
| PM16P1620A30 | AWG 20-16 |
| PM16P1416A30 | AWG 16-14 |
| PM16P12A30 | AWG 12 |
| Pre-Mate 8.5mm | |
| PM16P2024B30 | AWG 24-20 |
| PM16P1620B30 | AWG 20-16 |
| PM16P1416B30 | AWG 16-14 |
| PM16P12B30 | AWG 12 |
| Post-Mate 6.6mm | |
| PM16P2024C30 | AWG 24-20 |
| PM16P1620C30 | AWG 20-16 |
| PM16P1416C30 | AWG 16-14 |
| PM16P12C30 | AWG 12 |

Tooling

| Part Number | Description | Part Number | Description |
|-------------|---------------------------------------|-------------|-------------------------|
| PM1000G1 | Four indent hand tool | Pm1002G1 | Contact insertion tool |
| PM1001G1 | Loose crimp piece machine (semi/auto) | Pm1003G1 | Contact extraction tool |

HEADQUARTERS: 13 Pratts Junction Road, P.O. Box 579, Sterling, MA 01564 T:978-422-3600 F:978-422-3700

EUROPE: Rathealy Road, Fermoy Co. Cork, Ireland T:353-(0)25-32277 F:353-(0)25-32296

ASIA/PACIFIC: IDEAL Anderson Asia Pacific Ltd., Unit 922-928 Topsail Plaza, 11 On Sum Street, Shatin N.T., Hong Kong T:852-2636-0836 F:852-2635-9036

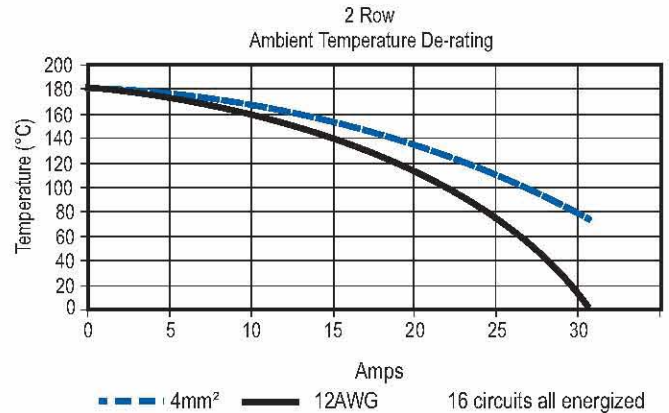
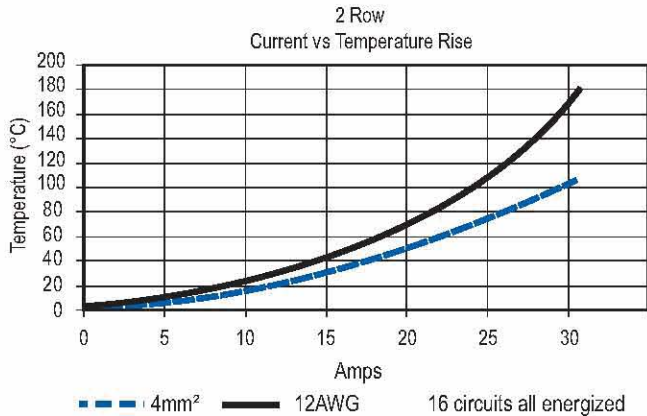
CHINA: IDEAL Anderson Technologies (Shenzhen) Ltd., Block A8 Tantou W Ind. Par, Songgang Baoan District, Shenzhen, PR. China 51810 T: 86-755-2768-2118 F: 86-755-2768-2218

TAIWAN: IDEAL Anderson Asia Pacific Ltd., Taiwan Branch, 4F-2, No.116, Dadun 20th St., Situn District, Taichung City 407, Taiwan (R.O.C.) T: 886-4-2310-6451 F:886-4-2310-6460

www.andersonpower.com

Two Row Cable Connector (male)

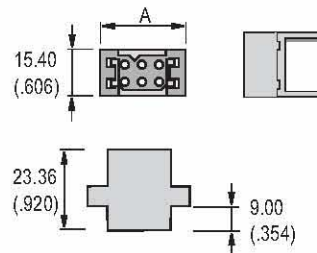
TEMPERATURE CHARTS



DIMENSIONS - mm(in.)

Cable Connector

| ROWS CONTACTS | -A- | |
|---------------|------|------|
| | mm | in. |
| 2 - 06 | 28.5 | 1.12 |
| 2 - 08 | 33.5 | 1.32 |
| 2 - 12 | 43.5 | 1.71 |
| 2 - 16 | 53.5 | 2.11 |



See accessory section for panel clip and mounting clip cut-out dimensions.

ORDERING INFORMATION

Cable Connector

| Part Number | Description |
|-------------|--------------------------|
| PM206MOOLOO | 2x3 MALE Cable Connector |
| PM208MOOLOO | 2x4 MALE Cable Connector |
| PM212MOOLOO | 2x6 MALE Cable Connector |
| PM216MOOLOO | 2x8 MALE Cable Connector |

Panel Mount With Mounting Clip

| Part Number | Description |
|-------------|--------------------------|
| PM206MOOLMC | 2x3 MALE Cable Connector |
| PM208MOOLMC | 2x4 MALE Cable Connector |
| PM212MOOLMC | 2x6 MALE Cable Connector |
| PM216MOOLMC | 2x8 MALE Cable Connector |

With Clam Shell Hood & Strain Relief

| Part Number | Description |
|-------------|--------------------------|
| PM206MOOLCH | 2x3 MALE Cable Connector |
| PM208MOOLCH | 2x4 MALE Cable Connector |
| PM212MOOLCH | 2x6 MALE Cable Connector |
| PM216MOOLCH | 2x8 MALE Cable Connector |

Panel Mount With Screws

| Part Number | Description |
|-------------|--------------------------|
| PM206MOOLSC | 2x3 MALE Cable Connector |
| PM208MOOLSC | 2x4 MALE Cable Connector |
| PM212MOOLSC | 2x6 MALE Cable Connector |
| PM216MOOLSC | 2x8 MALE Cable Connector |

With Snap-in Panel Clip

| Part Number | Description |
|-------------|--------------------------|
| PM206MOOLPC | 2x3 MALE Cable Connector |
| PM208MOOLPC | 2x4 MALE Cable Connector |
| PM212MOOLPC | 2x6 MALE Cable Connector |
| PM216MOOLPC | 2x8 MALE Cable Connector |

HEADQUARTERS: 13 Pratts Junction Road, P.O. Box 579, Sterling, MA 01564 T:978-422-3600 F:978-422-3700

EUROPE: Ratelye Road, Fermoy Co. Cork, Ireland T:353-(0)25-32277 F:353-(0)25-32296

ASIA/PACIFIC: IDEAL Anderson Asia Pacific Ltd., Unit 922-928 Topsail Plaza, 11 On Sum Street, Shatin N.T., Hong Kong T:852-2636-0836 F:852-2635-9036

CHINA: IDEAL Anderson Technologies (Shenzhen) Ltd., Block A8 Tantou W Ind. Par, Songgang Baoan District, Shenzhen, PR. China 51810 T: 86-755-2768-2118 F: 86-755-2768-2218

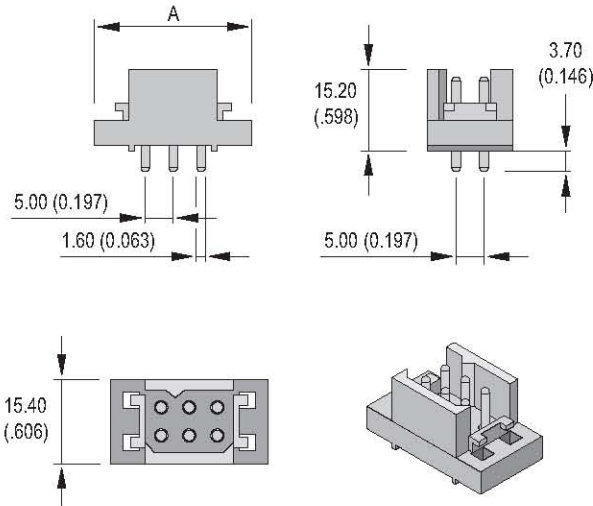
TAIWAN: IDEAL Anderson Asia Pacific Ltd., Taiwan Branch, 4F-2, No.116, Dadun 20th St., Situn District, Taichung City 407, Taiwan (R.O.C.) T: 886-4-2310-6451 F:886-4-2310-6460

www.andersonpower.com

Two Row Straight PCB (male)

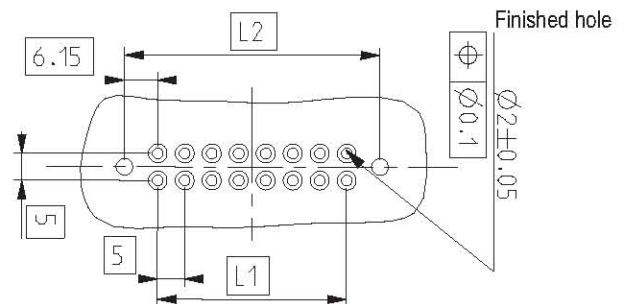
DIMENSIONS - mm(in.)

2 Row - PCB Straight Solder Connector



2 Row - PCB Hole Layout For Straight Solder Connector

| ROWS CONTACTS | A | | L1 | | L2 | |
|---------------|------|------|----|------|------|------|
| | mm | in. | mm | in. | mm | in. |
| 2 - 06 | 28.5 | 1.12 | 10 | 0.39 | 22.3 | 0.88 |
| 2 - 08 | 33.5 | 1.32 | 15 | 0.59 | 27.3 | 1.07 |
| 2 - 12 | 43.5 | 1.71 | 25 | 0.98 | 37.3 | 1.47 |
| 2 - 16 | 53.5 | 2.11 | 35 | 1.38 | 47.3 | 1.86 |



ORDERING INFORMATION

With Latch

| Part Number | Description |
|-------------|------------------------------|
| PM206MBALOO | 2x3 MALE Straight PCB Solder |
| PM208MBALOO | 2x4 MALE Straight PCB Solder |
| PM212MBALOO | 2x6 MALE Straight PCB Solder |
| PM216MBALOO | 2x8 MALE Straight PCB Solder |

Push On PCB Fastener & Latch

| Part Number | Description |
|-------------|------------------------------|
| PM206MBALSP | 2x3 MALE Straight PCB Solder |
| PM208MBALSP | 2x4 MALE Straight PCB Solder |
| PM212MBALSP | 2x6 MALE Straight PCB Solder |
| PM216MBALSP | 2x8 MALE Straight PCB Solder |

Self-tapping Screws For PCB Mount & Latch

| Part Number | Description |
|-------------|------------------------------|
| PM206MBALST | 2x3 MALE Straight PCB Solder |
| PM208MBALST | 2x4 MALE Straight PCB Solder |
| PM212MBALST | 2x6 MALE Straight PCB Solder |
| PM216MBALST | 2x8 MALE Straight PCB Solder |

No Latch

| Part Number | Description |
|-------------|-----------------------------|
| PM206MBAOOO | 2x3 PIN Straight PCB Solder |
| PM208MBAOOO | 2x4 PIN Straight PCB Solder |
| PM212MBAOOO | 2x6 PIN Straight PCB Solder |
| PM216MBAOOO | 2x8 PIN Straight PCB Solder |

Push On PCB Fastener & No Latch

| Part Number | Description |
|-------------|-----------------------------|
| PM206MBAOSP | 2x3 PIN Straight PCB Solder |
| PM208MBAOSP | 2x4 PIN Straight PCB Solder |
| PM212MBAOSP | 2x6 PIN Straight PCB Solder |
| PM216MBAOSP | 2x8 PIN Straight PCB Solder |

Self-tapping Screws For PCB Mount & No Latch

| Part Number | Description |
|-------------|-----------------------------|
| PM206MBAOST | 2x3 PIN Straight PCB Solder |
| PM208MBAOST | 2x4 PIN Straight PCB Solder |
| PM212MBAOST | 2x6 PIN Straight PCB Solder |
| PM216MBAOST | 2x8 PIN Straight PCB Solder |

PCB contacts and mounting accessories are designed for a board thickness of 1.60mm (.063) with a contact protrusion of 2.10 (.083). Other contact lengths are available upon request.



Компания «ЭлектроПласт» предлагает заключение долгосрочных отношений при поставках импортных электронных компонентов на взаимовыгодных условиях!

Наши преимущества:

- Оперативные поставки широкого спектра электронных компонентов отечественного и импортного производства напрямую от производителей и с крупнейших мировых складов;
- Поставка более 17-ти миллионов наименований электронных компонентов;
- Поставка сложных, дефицитных, либо снятых с производства позиций;
- Оперативные сроки поставки под заказ (от 5 рабочих дней);
- Экспресс доставка в любую точку России;
- Техническая поддержка проекта, помощь в подборе аналогов, поставка прототипов;
- Система менеджмента качества сертифицирована по Международному стандарту ISO 9001;
- Лицензия ФСБ на осуществление работ с использованием сведений, составляющих государственную тайну;
- Поставка специализированных компонентов (Xilinx, Altera, Analog Devices, Intersil, Interpoint, Microsemi, Aeroflex, Peregrine, Syfer, Eurofarad, Texas Instrument, Miteq, Cobham, E2V, MA-COM, Hittite, Mini-Circuits, General Dynamics и др.);

Помимо этого, одним из направлений компании «ЭлектроПласт» является направление «Источники питания». Мы предлагаем Вам помощь Конструкторского отдела:

- Подбор оптимального решения, техническое обоснование при выборе компонента;
- Подбор аналогов;
- Консультации по применению компонента;
- Поставка образцов и прототипов;
- Техническая поддержка проекта;
- Защита от снятия компонента с производства.



Как с нами связаться

Телефон: 8 (812) 309 58 32 (многоканальный)

Факс: 8 (812) 320-02-42

Электронная почта: org@eplast1.ru

Адрес: 198099, г. Санкт-Петербург, ул. Калинина, дом 2, корпус 4, литера А.