


E2C/E2C-H

Separate Amplifier Sensor with Sensitivity Adjustment



- Compact design with smaller Sensor Head.
- Heat-resistance model available for application between -10 and 200°C.



 Be sure to read *Safety Precautions* on page 15.

Ordering Information


Sensors [Refer to *Dimensions* on page 18.]
Standard Models

Sensor				Combination	Amplifier Units				
Appearance	Stable sensing area *		Model		Model	Power supply/ Output	Timer function	Self-diagnostic output	
Shielded 	3.5 dia.	0.8 (1.8) mm		E2C-CR8A 3M	→	E2C-GE4A	DC/(NPN)	---	---
	3.8 dia.	0.8 (1.8) mm		E2C-CR8B 3M		E2C-GF4A	DC/(PNP)	---	---
	M5	1 (2) mm		E2C-X1A 3M		E2C-JC4AP 2M *	DC/(NPN)	Yes	Yes
	5.4 dia.	1 (2) mm		E2C-C1A 3M		E2C-JC4A 2M	DC/(NPN)	Yes	---
	M8	1.5 (3) mm		E2C-X1R5A 3M		E2C-AM4A	DC/(NPN) (PNP)	---	---
	M12	2 (5) mm		E2C-X2A 3M		E2C-AK4A	AC	---	---
	M18	5 (10) mm		E2C-X5A 3M					
Unshielded 	M30	10 (18) mm		E2C-X10A 3M					
	40 dia.	20 (50) mm		E2C-C20MA 3M					

*1. Values in parentheses are for the maximum sensing distances at 23°C.

* Self-diagnostic output, timer, and DIN Track mounting.

Heat-resistant Model

Sensor				Combination	Amplifier Unit
Appearance	Stable sensing area		Model		Model
Shielded 	M8	1.5 mm		E2C-X1R5AH 3M	E2C-JC4CH 2M
	M12	2 mm		E2C-X2AH 3M	E2C-JC4DH 2M
	M18	5 mm		E2C-X5AH 3M	E2C-JC4EH 2M

Note: Characteristics will change if the cable length changes. Do not cut or extend the cable.

Accessories (Order Separately)

Mounting Brackets A Mounting Bracket is not provided with the Sensor. Order a Mounting Bracket separately if required.

[Refer to Dimension on page 21.]

Name	Model	Applicable Sensors	Remarks
Mounting Brackets	Y92E-F3R5	E2C-CR8A, for 3.5 dia.	---
	Y92E-F5R4	E2C-C1A, for 5.4 dia.	

Connection Sockets A Socket is not provided with the Amplifier Unit. Order a Socket separately if required.

[Refer to Dimension on page 21.]

Name	Model	Applicable Amplifier Unit	Remarks
Front Connection Sockets	PYF08A	E2C-GE4A E2C-GF4A	Hold-down Clips (Order Separately) PYC-A1 Sold as a set.
	P2CF-08	E2C-AM4A	
	P2CF-11	E2C-AK4A	
Back Connection Sockets	P3G-08	E2C-AM4A	---
	P3GA-11	E2C-AK4A	
	PY08	E2C-GE4A E2C-GF4A	

Adapters An Adapter is not provided with the Amplifier Unit. Order an Adapter separately if required.

[Refer to Dimension on page 21.]

Name	Model	Applicable Amplifier Unit	Remarks
Embedded Adapters	Y92F-30	E2C-AM4A/-AK4A	---
	Y92F-70		
	Y92F-71		

For details on [Mounting Brackets](#), [Protective Covers](#), and [Sputter Protective Covers](#), refer to *Accessories* on Y92□.

Ratings and Specifications

Standard Models

Sensors

Model		E2C-CR8A/ -CR8B	E2C-X1A/ -C1A	E2C-X1R5A	E2C-X2A	E2C-X5A	E2C-X10A	E2C-C20MA
Item								
Sensing distance (at 23°C)		1.8 mm	2 mm	3 mm	5 mm	10 mm	18 mm	50 mm
Stable sensing area	Ambient temperature	0 to 0.8 mm	0 to 1 mm	0 to 1.5 mm	0 to 2 mm	0 to 5 mm	0 to 10 mm	0 to 20 mm
	At 0 to 40°C	0 to 1.2 mm	0 to 1.5 mm	0 to 2 mm	0 to 2.5 mm	0 to 7 mm	0 to 15 mm	0 to 28 mm
Differential travel		Refer to <i>Ratings and Specifications</i> on page 4 for Amplifier Unit specifications.						
Detectable object		Ferrous metal (The sensing distance decreases with non-ferrous metal. Refer to <i>Engineering Data</i> on page 7.)						
Standard sensing object		Iron, 5 × 5 × 1 mm		Iron, 8 × 8 × 1 mm	Iron, 12 × 12 × 1 mm	Iron, 18 × 18 × 1 mm	Iron, 30 × 30 × 1 mm	Iron, 50 × 50 × 1 mm
Response frequency *1		1 kHz		800 Hz		350 Hz	100 Hz	50 Hz
Ambient temperature range		Operating/Storage: -25 to 70°C (with no icing or condensation)						
Ambient humidity range		Operating/Storage: 35% to 95% (with no condensation)						
Temperature influence		15% max. of sensing distance at 23°C in the temperature range of -25 to 70°C						
Vibration resistance		Destruction: 10 to 55 Hz, 1.5-mm double amplitude for 2 hours each in X and Y directions						
Shock resistance		Destruction: 500 m/s ² 3 times each in X and Y directions						
Degree of protection		IEC 60529 IP67, in-house standards: oil-resistant						
Connection method *2		Pre-wired Models High-frequency coaxial cable (Standard cable length: 3 m)						
Weight (packed state)		Approx. 40 g	Approx. 45 g	Approx. 50 g	Approx. 60 g	Approx. 140 g	Approx. 270 g	Approx. 300 g
Materials	Case	Stainless steel	Brass					
	Sensing surface	ABS resin						
	Cable	Polyethylene						
	Clamping nut	---	Brass, nickel-plated (except E2C-C1A)					
	Toothed washer	---	Brass, zinc-plated (except E2C-C1A)					
Accessories		---						

*1. The minimum value when using the solid-state control output on the Amplifier Unit.

Measurement conditions are as follows: standard sensing object, a distance of twice the standard sensing object, and a set distance of half the sensing distance.

*2. Refer to 6 for cable lengths when combining Amplifier Units and Sensors.

The characteristic impedance of the high-frequency coaxial cable is 50 Ω.

Amplifier Units

Model		E2C-GE4A	E2C-GF4A	E2C-JC4A E2C-JC4AP	E2C-AM4A	E2C-AK4A
Power supply voltage (operating voltage range)		12 to 24 VDC (10 to 30 VDC), ripple (p-p): 10% max. *1				100 to 240 VAC (90 to 264 VAC) 50/60 Hz
Current consumption		25 mA max.		45 mA max.	50 mA max.	55 mA max.
Sensing distance adjustment range *2		20% min. of rated sensing distance with 4-turn potentiometer		20% to 100% of rated sensing distance with 4-turn potentiometer		
Differential travel adjustment range		Differential travel fixed (10% max. of sensing distance)			1% to 5% of rated sensing distance	
Response time	Solid-state	(Refer to the response frequency of the Proximity Sensor.)				
	Relay	---				20 ms max.
Control outputs	Solid-state	NPN Load resistance: 4.7 k Ω , 100 mA max. (40 VDC max.) (Residual voltage: 1.5 V max.)	PNP Load resistance: 4.7 k Ω , 100 mA max. (40 VDC max.) (Residual voltage: 1.5 V max.)	NPN Open-collector output 100 mA max. (40 VDC max.) (Residual voltage: 0.7 V max.) (E2C-JC4AP: 1 V max.)	NPN/PNP output Open-collector output 200 mA max. (40 VDC max.) (Residual voltage: 1.5 V max.)	Transistor/photocoupler 50 mA max. (40 VDC max.) (Residual voltage: 2 V max.)
	Relay	---				Relay output, SPDT 2 A at 250 VAC, $\cos\phi = 1$ (resistive load) *3
Indicators		Detection indicator (red) (OPERATION)		Detection indicator (red) (OPERATION) Stability indicator (green) (STABILITY)	Detection indicator (red) (OPERATION) Stability indicator (green) (STABILITY)	
Operation mode		Changed with NO/NC switch.				
Self-diagnostic output		---		(E2C-JC4AP only) Output transistor turns ON when Sensor open circuit or unstable sensing is detected; solid-state NPN open-collector 50 mA max. (40 VDC max.) (Residual voltage: 1 V max.)	---	
Timer function		---		OFF-delay: 40 \pm 10 ms	---	
Cable length compensation between Sensor and Amplifier Unit		---		(E2C-JC4AP only) 3 m/5 m, terminals Short-plate switching Shorted: 1 to 3 m Open: 3 to 5 m	Mode switched with 4-position switch.	
Ambient temperature range		Operating/storage: -10 to 55°C (with no icing or condensation)				
Ambient humidity range		Operating/Storage: 35% to 85% (E2C-JC4AP: 35% to 95%) (with no condensation)				
Temperature influence		10% max. of sensing distance at 23°C in the temperature range of -10 to 55°C				
Voltage influence		DC Models: \pm 1% max. of sensing distance at rated voltage in the rated voltage \pm 20% range AC Models: \pm 1% max. of sensing distance at rated voltage in the rated voltage \pm 10% range				
Insulation resistance		50 M Ω min. (at 500 VDC) between current-carrying parts and case				
Dielectric strength		DC Models: 1,000 VAC, 50/60 Hz for 1 min between current-carrying parts and case AC Models: 1,500 VAC, 50/60 Hz for 1 min between current-carrying parts and case				
Vibration resistance		Destruction: 10 to 25 Hz, 2-mm double amplitude for 2 hours each in X, Y, and Z directions		Destruction: 10 to 55 Hz, 1.5-mm double amplitude for 2 hours each in X, Y, and Z directions	Destruction: 10 to 25 Hz, 2-mm double amplitude for 2 hours each in X, Y, and Z directions	

*1. A full-wave rectification power supply of 24 VDC \pm 10% (average value) can be used (except for the E2C-GE4□).

*2. The sensing distance range required to maintain performed is given for using the Amplifier Unit in combination with the Sensor.

*3. Internal relay: G2R-14 DC 12V

Item	Model	E2C-GE4A	E2C-GF4A	E2C-JC4A E2C-JC4AP	E2C-AM4A	E2C-AK4A
Shock resistance	Destruction: 100 m/s ² 3 times each in X, Y, and Z directions					
Life expectancy	---					Mechanical: 10,000,000 operations min. Electrical: 100,000 operations min.
Connection method	Terminal block			Pre-wired Models (Standard cable length: 2 m)	Terminal block	
Weight (packed state) *4	Approx. 20 g			E2C-JC4A: Approx. 50 g E2C-JC4AP: Approx. 80 g	Approx. 140 g	Approx. 250 g
Accessories	Instruction manual			Caution labels, Mounting Bracket (E2C-JC4A: M3 × 15 Phillips mounting screw), instruction manual	Instruction manual	

*4. The weight of the Connection Socket is not included.

Heat-resistant Models

Sensors

Item	Model	E2C-X1R5AH	E2C-X2AH	E2C-X5AH
Detectable object	Ferrous metal (The sensing distance decreases with non-ferrous metal, refer to <i>Engineering Data</i> on page 7.)			
Standard sensing object	Iron, 8 × 8 × 1 mm	Iron, 12 × 12 × 1 mm	Iron, 18 × 18 × 1 mm	
Stable sensing area	0 to 1.5 mm	0 to 2 mm	0 to 5 mm	
Differential travel	0.04 mm max.		0.1 mm max.	
Response frequency *1	300 Hz			
Ambient temperature range	Operating/Storage: -10 to 200°C (with no icing or condensation)			
Ambient humidity range	Operating/Storage: 35% to 95% (with no condensation)			
Temperature influence	±0.2%/°C			
Vibration resistance	Destruction: 10 to 55 Hz, 1.5-mm double amplitude for 2 hours each in X, Y, and Z directions			
Shock resistance	Destruction: 500 m/s ² 3 times each in X, Y, and Z directions			
Degree of protection	IEC 60529 IP60 *2			
Connection method	Pre-wired Models (Cable length: 3 m) Heat-resistant, high-frequency coaxial cable			
Weight (packed state)	Approx. 50 g	Approx. 60 g	Approx. 140 g	
Materials	Case	Brass		
	Sensing surface	PEEK (polyether ether ketone)		
	Cable	Fluorine resin		
	Clamping nut	Brass, nickel-plated		
	Toothed washer	Iron, zinc-plated		

Note: Ratings and characteristic are given for 50% of the stable sensing area.
*1. Measurement conditions are as follows: standard sensing object, a distance of twice the standard sensing object, and a set distance of half the sensing distance.

*2. Do not operate the Sensor in areas exposed to water vapor because the enclosure is not waterproof.

Amplifier Units

Item	Model	E2C-JC4CH	E2C-JC4DH	E2C-JC4EH
Power supply voltage *1 (operating voltage range)	12 to 24 VDC (10 to 30 VDC), ripple (p-p): 10% max.			
Current consumption	45 mA max.			
Sensing distance adjustment range *2	20% to 100% of rated sensing distance 4-turn potentiometer			
Control outputs	Load current	NPN open collector, 100 mA max. (40 VDC max.)		
	Residual voltage	0.8 V max.		
Indicators	Detection indicator (red)			
Operation mode	Changed with NO/NC switch.			
Cable length compensation	Switched between 3 and 5 m.			
Ambient temperature range	Operating/storage: -10 to 55°C (with no icing or condensation)			
Ambient humidity range	Operating/storage: 35% to 85% (with no condensation)			
Temperature influence	±0.08%/°C			
Voltage influence	±2% max. of sensing distance at rated voltage in the rated voltage ±20% range			
Insulation resistance	50 MΩ min. (at 500 VDC) between current-carrying parts and case			
Dielectric strength	1,000 VAC, 50/60 Hz for 1 min between current-carrying parts and case			
Vibration resistance	Destruction: 10 to 55 Hz, 1.5-mm double amplitude for 2 hours each in X, Y, and Z directions			
Shock resistance	Destruction: 100 m/s ² 3 times each in X, Y, and Z directions			
Degree of protection	IEC 60529 IP20			
Connection method	Pre-wired Models (Cable length: 2 m)			
Weight (packed state)	Approx. 80 g			
Accessories	Caution labels, Mounting Bracket, instruction manual			

*1. A full-wave rectification power supply of 24 VDC ±10% (average value) can be used.

*2. The sensing distance range required to maintain performed is given for using the Amplifier Unit in combination with the Sensor.

Cable Lengths for Sensor-Amplifier Unit Combinations

Standard Models

Sensor Amplifier Units	E2C-CR8A	E2C-CR8B	E2C-X1A	E2C-C1A	E2C-X1R5A	E2C-X2A	E2C-X5A	E2C-X10A	E2C-C20MA
E2C-GE4A	Restricted to 3 m.					---	---	---	---
E2C-GF4A	Restricted to 3 m.					---	---	---	---
E2C-JC4AP	1 to 3 m: Short cable length terminals *					---		---	---
E2C-JC4A	3 to 5 m: Open cable length terminals *					---		---	---
E2C-AM4A	0 to 5 m					0 to 10 m			
E2C-AK4A	Set cable length switch to desired position. *					Set cable length switch to desired position. *			

Note: The standard cable length is 3 m. Models with 5-m or 10-m are manufactured upon order.
* Refer to page 14 for the operation of cable length switching.

Heat-resistant Models

Sensor Amplifier Units	E2C-X1R5AH	E2C-X2AH	E2C-X5AH
E2C-JC4CH	Set 3 m/5 m cable length switch to desired position.		
E2C-JC4DH			
E2C-JC4EH			

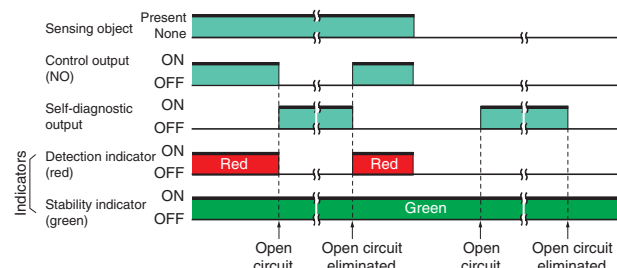
Note: The standard cable length is 3 m. Models with 5-m are manufactured upon order.

Self-diagnostic Function

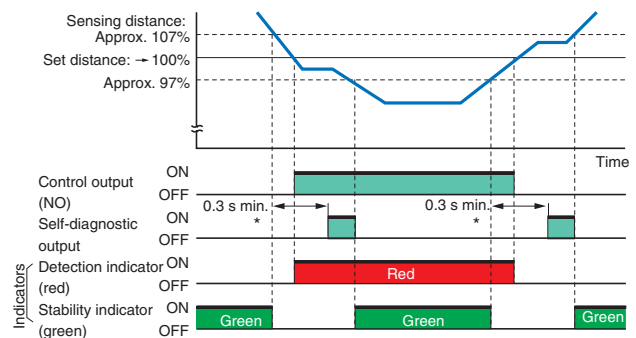
The self-diagnostic output transistor will turn ON in the following cases. (The output will turn ON for any of these conditions individually.)

(1) Sensor open circuit: Transistor will turn ON the instance there is an open circuit for the Sensor (including the cable).

Sensor Open Circuit



Sensor Connected



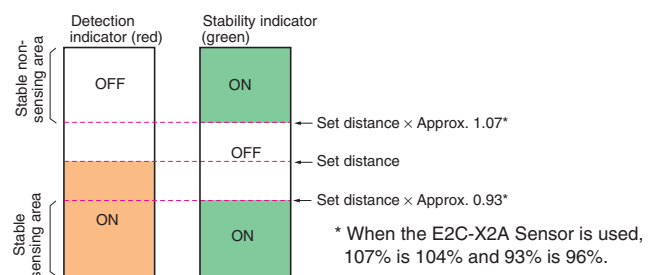
Note: When the E2C-X2A Sensor is used, 93% is 96% and 107% is 104%.
* The self-diagnostic output may turn ON if the sensing objects moves a low speed. In actual application, include an ON-delay timer circuit or other suitable measure.

(2) Detection: The output will turn ON if a sensing object is within 93% to 100% of the sensing distance continuously for 0.3 s or longer (e.g., for sensing object position offset).

(3) No detection: The output will turn ON if a sensing object is within 100% to 107% of the sensing distance continuously for 0.3 s or longer (e.g., when background is influencing detection).

Indicators

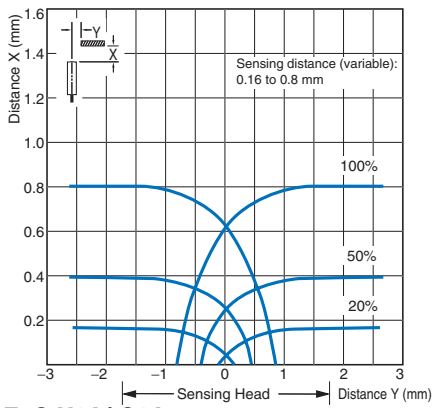
- The detection indicator lights when a sensing object approaches the sensing distance to indicate that a sensing object has been detected.
- The stability indicator lights when the sensing object approaches within 93% of the sensing distance or moves away from 107% of the sensing distance to indicate a stable sensing or non-sensing condition.



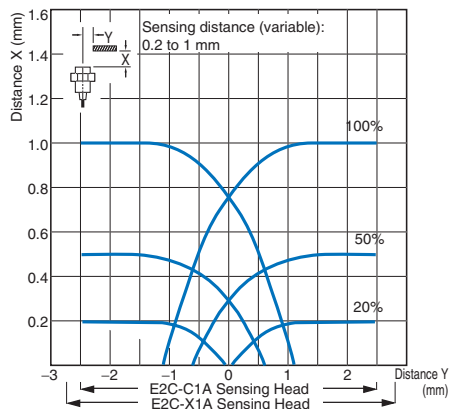
Engineering Data (Reference Value)

Sensing Area

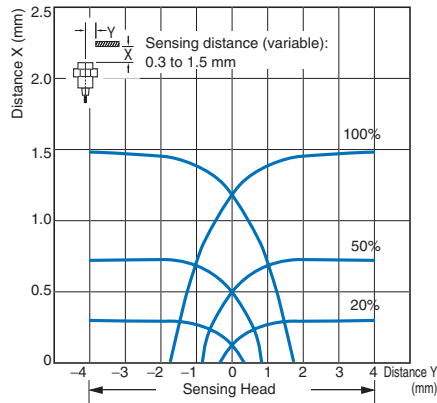
E2C-CR8



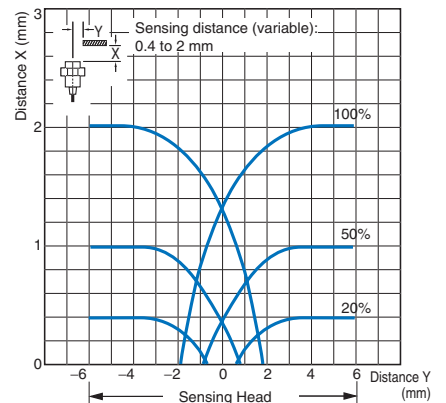
E2C-X1A/C1A



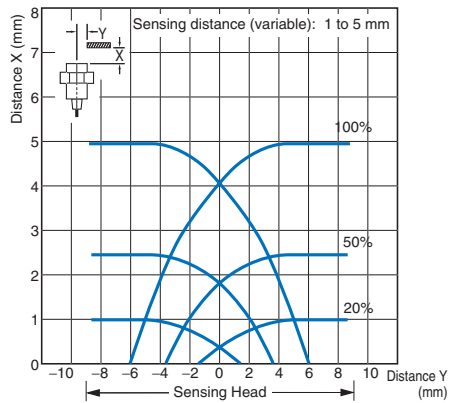
E2C-X1R5A



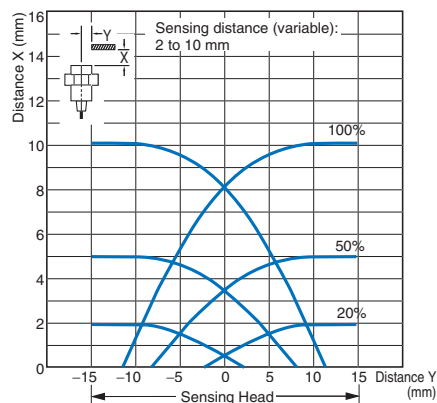
E2C-X2A



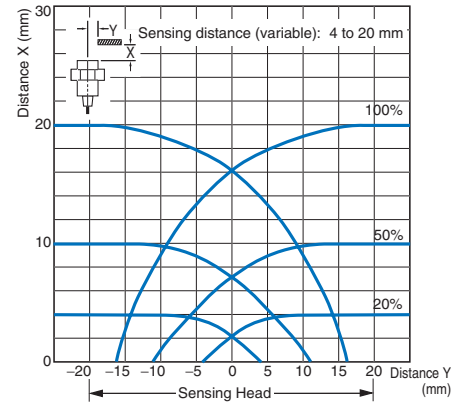
E2C-X5A



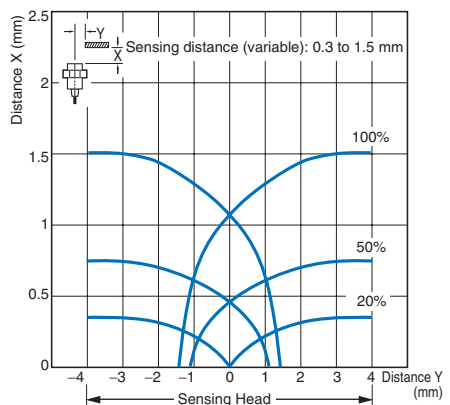
E2C-X10A



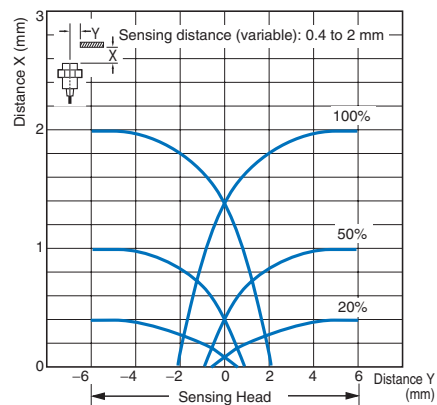
E2C-C20MA



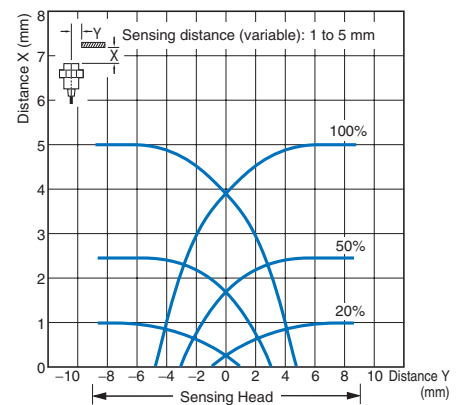
E2C-X1R5AH + E2C-JC4CH



E2C-X2AH + E2C-JC4DH

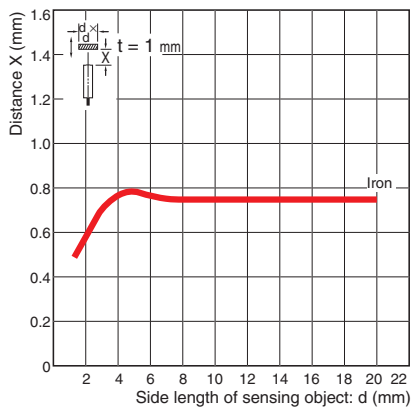


E2C-X5AH + E2C-JC4EH

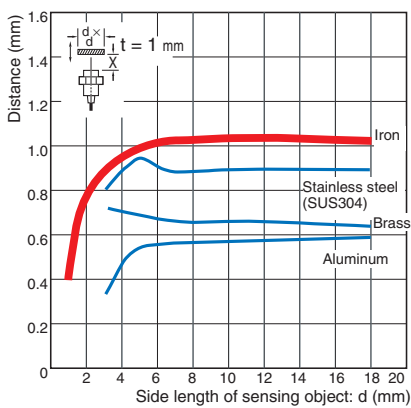


Influence of Sensing Object Size and Material

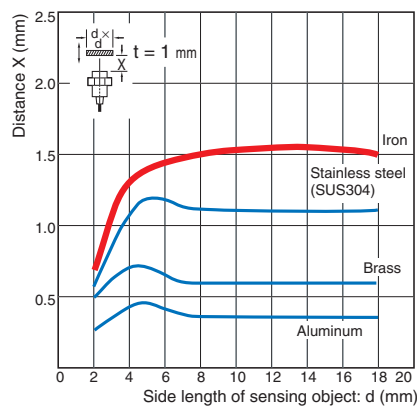
E2C-CR8



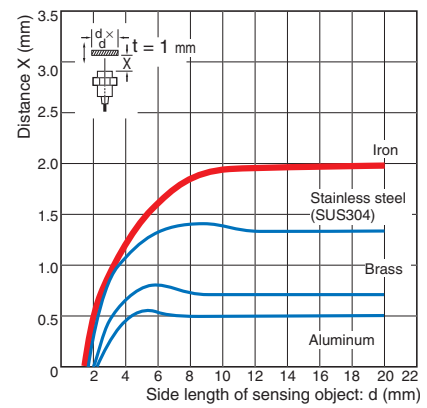
E2C-X1A/-C1A



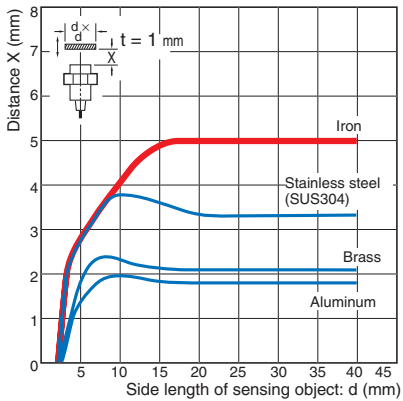
E2C-X1R5A



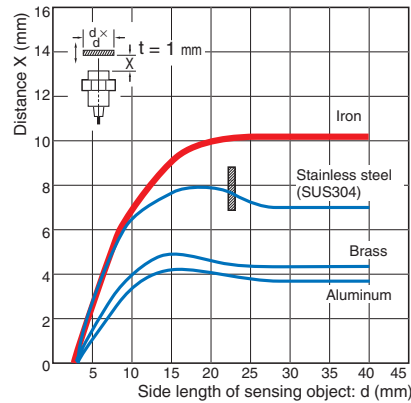
E2C-X2A



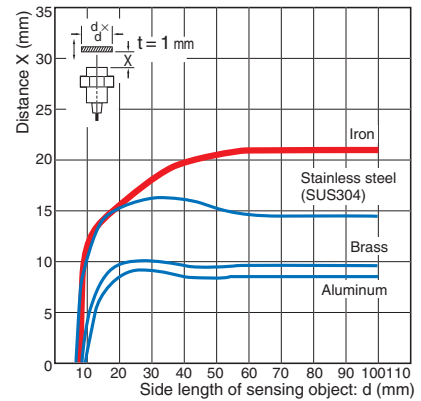
E2C-X5A



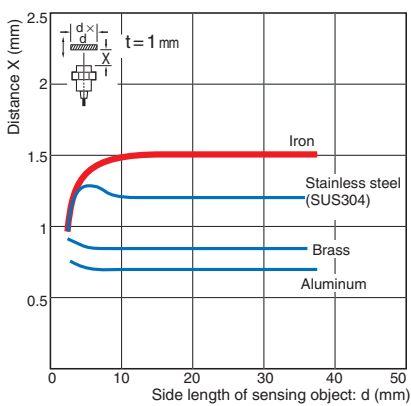
E2C-X10A



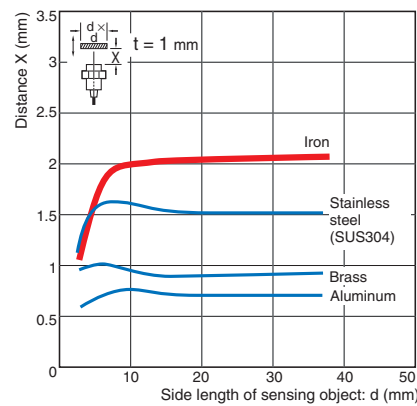
E2C-C20MA



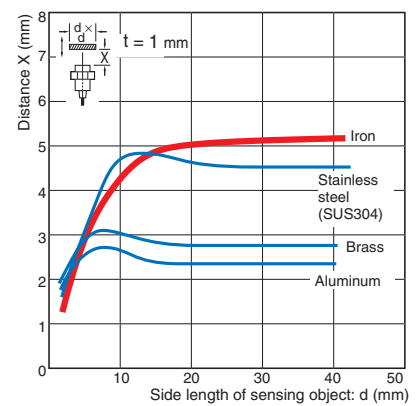
E2C-X1R5AH + E2C-JC4CH



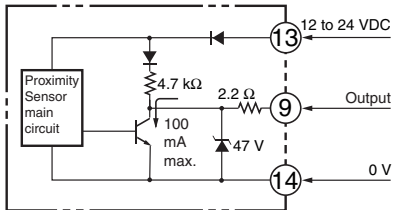
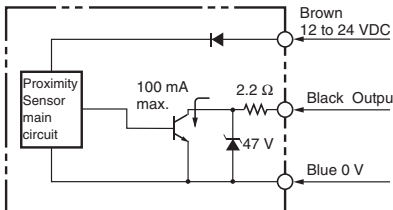
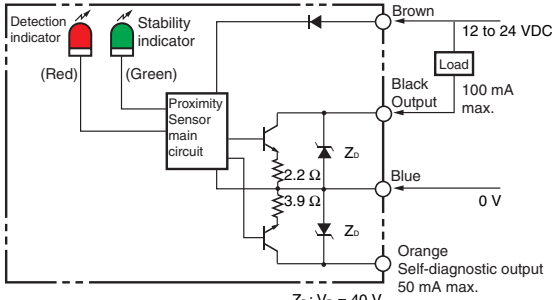
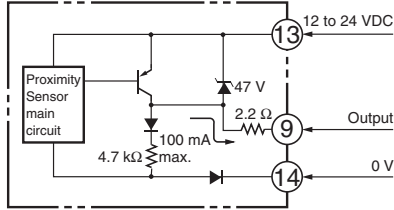
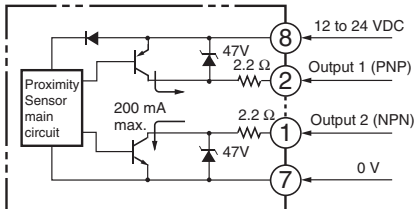
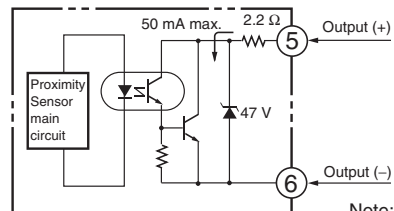
E2C-X2AH + E2C-JC4DH



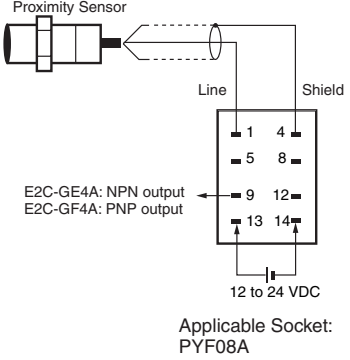
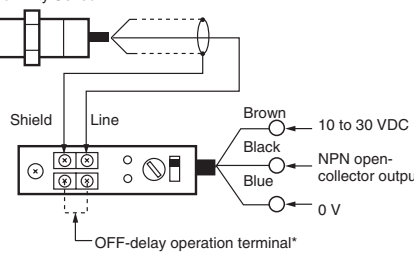
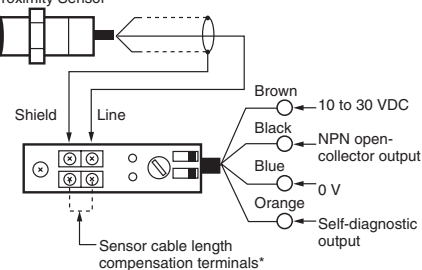
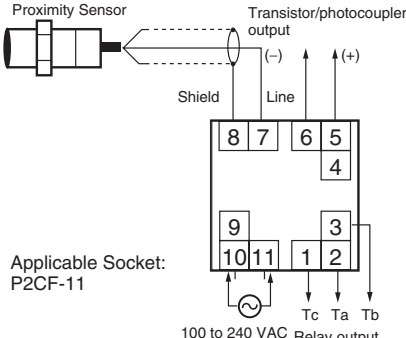
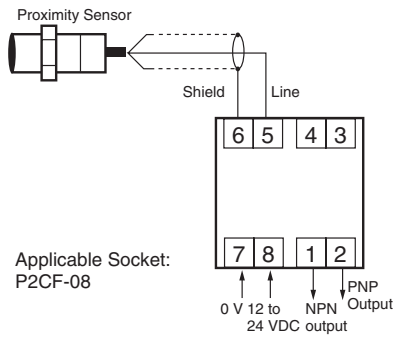
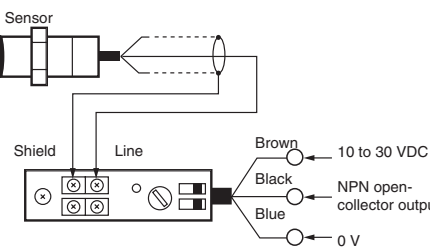
E2C-X5AH + E2C-JC4EH



I/O Circuit Diagrams

Output configuration	E2C-GE4A *	E2C-JC4A, E2C-JC4CH, E2C-JC4DH, E2C-JC4EH
NPN output	 <p>* A voltage output can be used if the NO/NC switch on the E2C-GE4A is set to NC, but an approximately 60-ms pulse will be generated when the power supply is turned ON. An initial reset will thus be required. If the E2C-GF4A (model for PNP output) is used, the initial pulse will not occur.</p>	
NPN output Self-diagnosis Function	<p style="text-align: center;">E2C-JC4AP</p>  <p style="text-align: center;">Zo: Vz = 40 V</p>	
PNP Output	<p style="text-align: center;">E2C-GF4A</p> 	
Both NPN and PNP outputs	<p style="text-align: center;">E2C-AM4A</p> 	
Transistor/ photocoupler Relay output	<p style="text-align: center;">E2C-AK4A</p>  <p>Note: Terminals 1, 2, and 3 are the relay contact output (SPDT).</p>	

Connections between Amplifier Unit and Sensor

E2C-G□4A	E2C-JC4A	E2C-JC4AP
 <p>Proximity Sensor</p> <p>Line Shield</p> <p>1 4 5 8 9 12 13 14</p> <p>E2C-GE4A: NPN output E2C-GF4A: PNP output</p> <p>12 to 24 VDC</p> <p>Applicable Socket: PYF08A</p>	 <p>Proximity Sensor</p> <p>Shield Line</p> <p>Brown 10 to 30 VDC Black NPN open-collector output Blue 0 V</p> <p>OFF-delay operation terminal*</p> <p>* OFF-delay timer setting If the OFF-delay operation terminals are shorted, a 40-ms OFF-delay timer will start.</p> <p>Applicable Socket: P2CF-08</p>	 <p>Proximity Sensor</p> <p>Shield Line</p> <p>Brown 10 to 30 VDC Black NPN open-collector output Blue 0 V Orange Self-diagnostic output</p> <p>Sensor cable length compensation terminals*</p> <p>* Sensor Cable Length Compensation These terminals can be used to switch the cable length. Terminals shorted: 1 to 3 m Terminals open: 3 to 5 m</p> <p>Applicable Socket: P2CF-08</p>
 <p>Proximity Sensor</p> <p>Shield Line</p> <p>Transistor/photocoupler output (-) (+)</p> <p>8 7 6 5 4 9 3 10 11 1 2</p> <p>Applicable Socket: P2CF-11</p> <p>100 to 240 VAC Relay output Tc Ta Tb</p>	 <p>Proximity Sensor</p> <p>Shield Line</p> <p>6 5 4 3 7 8 1 2</p> <p>0 V 12 to 24 VDC output NPN PNP Output</p> <p>Applicable Socket: P2CF-08</p>	 <p>Sensor</p> <p>Shield Line</p> <p>Brown 10 to 30 VDC Black NPN open-collector output Blue 0 V</p> <p>Note: Characteristics will change if the cable length changes. Do not cut or extend the cable.</p> <p>Applicable Socket: P2CF-08</p>

Load Connections

Model	E2C-JC4A, E2C-JC4□H	
Load		
DC load • Relay • Solenoid Current-sinking load • Programmable Controller • Sensor Controller		
Voltage load (logic circuit)		
Model	E2C-GE4A	
Load		
DC load • Relay • Solenoid Solid-state load • Programmable Controller • Sensor Controller		
Voltage load (logic circuit)	<p> I_C: 20 mA max. H_{FE}: 50 mA max. V_{CE0}: 30 V min. </p>	
Remarks	When connecting to a CMOS IC or TLL, provide an interface circuit as shown above and connect to the solid-state circuit in the next stage.	

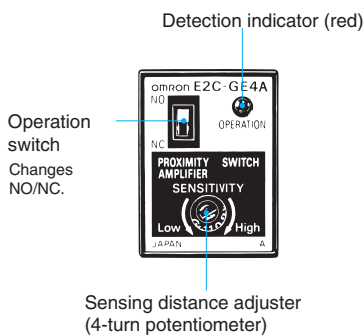
Load	Model	E2C-AK4A	E2C-AM4A
DC load • Relay • Solenoid			<p>* Use 40 V maximum when connecting the load to a separate power supply.</p>
	Solid-state load • Programmable Controller • Sensor Controller		<p>* For a current-sourcing load, connect to the negative side of the transistor/photocoupler output.</p>
Voltage loads (logic circuit)			

The E2C-AK4A supports relay and transistor/photocoupler outputs, and the E2C-AM4A supports both NPN and PNP open-collector output. They can be connected to a wide variety of load types and power polarities.

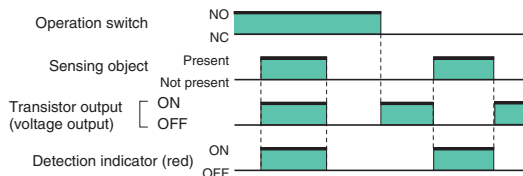
Nomenclature and Timing Charts

Amplifier Units

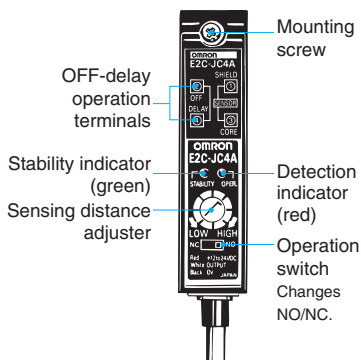
E2C-G□4A



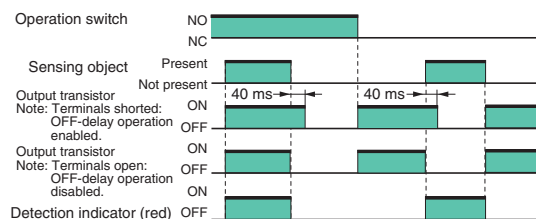
Timing Chart



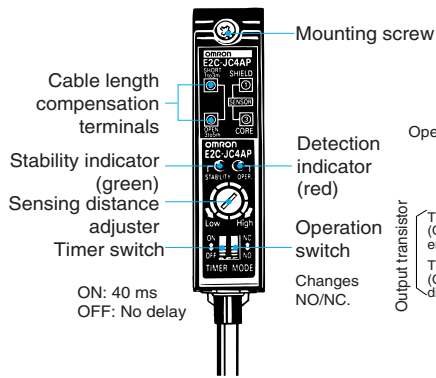
E2C-JC4A



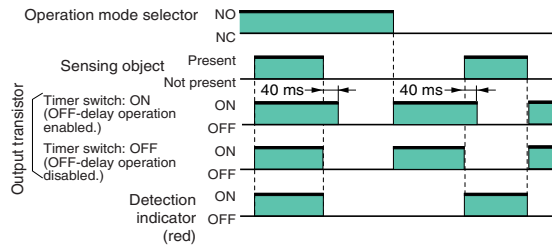
Timing Chart



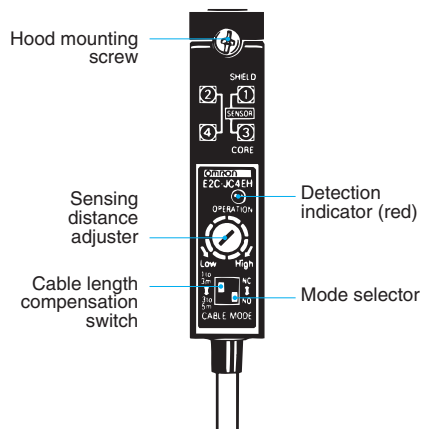
E2C-JC4AP



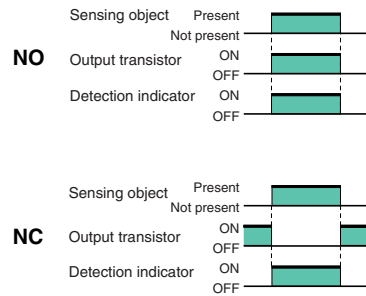
Timing Chart



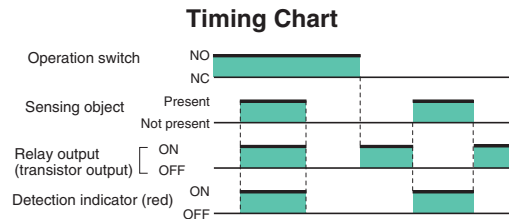
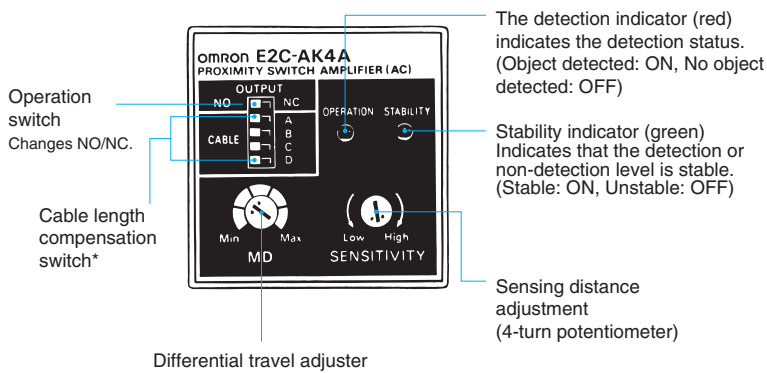
E2C-JC4CH, E2C-JC4DH, E2C-JC4EH



Timing Chart



E2C-A□4A



* Cable Length Compensation Switching

Set this switch to the proper setting depending on whether the standard cable length is being used or the cable has been cut shorter.

Amplifier Unit Switch Settings

Applicable Sensors	Cable length	0 to 1 m	1 to 2 m	2 to 3 m	3 to 4 m	4 to 5 m	5 to 6 m	6 to 7 m	7 to 8 m	8 to 9 m	9 to 10 m
E2C-CR8A E2C-CR8B E2C-X1A E2C-C1A E2C-X1R5A							—	—	—	—	—
E2C-X2A E2C-X5A E2C-X10A E2C-C20MA											

Note: 1. Mutual Interference Prevention: When mounting Sensors with the same diameter and cable length in parallel, set the DIP switch to modes that differ by 1 m in cable length. Specifications, however, may not be sufficiently met, so always check operation before actual application. This method cannot be used for the E2C-C20MA.

2. When using the E2C-CR5B + E2C-AM4A (or AK4A), set all the pins on the Amplifier Unit DIP switch to the left.

Safety Precautions

Refer to *Warranty and Limitations of Liability*.

⚠ WARNING

This product is not designed or rated for ensuring safety of persons either directly or indirectly. Do not use it for such purposes.



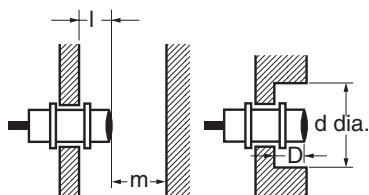
Precautions for Correct Use

Do not use the Encoder under ambient conditions that exceed the ratings.

● Design

Influence of Surrounding Metal

When mounting the Sensor within a metal panel, ensure that the clearances given in the following table are maintained. Failure to maintain these distances may cause deterioration in the performance of the Sensor.



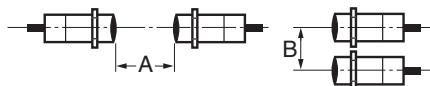
Influence of Surrounding Metal (Unit: mm)

Model	Distance	l	d	D	m
E2C-CR8			(3.5)		2.4
E2C-X1A			(5)		3
E2C-C1A			(5.4)		4.5
E2C-X1R5A(H)	0		(8)	0	6
E2C-X2A(H)			(12)		15
E2C-X5A(H)			(18)		30
E2C-X10A			(30)		60
E2C-C20MA	25		120	40	

Note: Values in parentheses for diameter d are the outer diameters of Shielded Models.

Mutual Interference

When installing Sensors face-to-face or side-by-side, ensure that the minimum distances given in the following table are maintained. Mutual interference can be prevented by using the cable length compensation switch, but doing so will also change coil characteristics. Specifications such as temperature specifications and sensing distance, may not be sufficiently met, so always check operation before actual application. This method cannot be used for the E2C-G□4A, E2C-JC4A, E2C-C20MA.



Mutual Interference (Unit: mm)

Model	Distance	A	B
E2C-CR8		20	15
E2C-X1A			
E2C-C1A			
E2C-X1R5A(H)		30	20
E2C-X2A(H)			
E2C-X5A(H)		50	35
E2C-X10A		100	70
E2C-C20MA		300	200

Note: The above values are for a differential travel setting of 5%.

Mounting

- Do not use excessive force when tightening the nuts on the E2C-X and E2C-C20MA. A washer must be used with the nut.

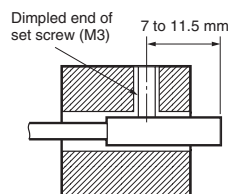


Model	Torque
E2C-X1A	0.98 N·m
E2C-X1R5A(H)	2.0 N·m
E2C-X2A(H)	5.9 N·m
E2C-X5A(H)	15 N·m
E2C-X10A	39 N·m
E2C-C20MA	15 N·m

Note: The above leeways in tighten torque assume that a toothed washer is being used.

● Mounting Unthreaded Cylindrical Models

When using a set screw, tighten it to a torque of 0.2 N·m max.



Y92E-F3R5 Mounting Bracket (for 3.5 dia.) (Order Separately)



The Y92E-F5R4 (for 5.4 dia.) is also sold separately.

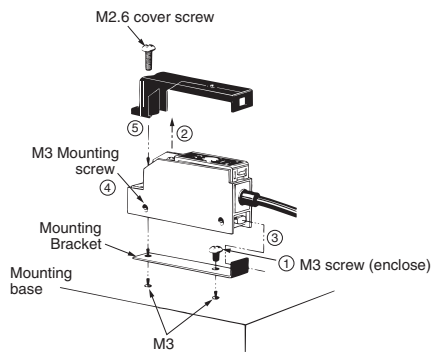
● Mounting

Mounting the Amplifier Unit

E2C-JC4A

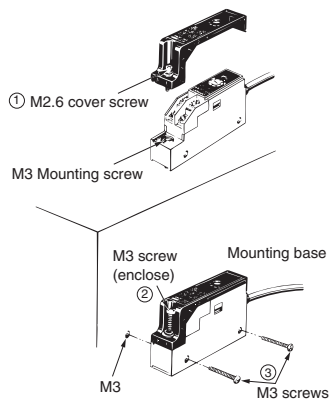
Lengthwise Mounting

- (1) Secure the Mounting Bracket with the enclosed M3 screws.
- (2) Loosen the M2.6 cover screw and remove the cover.
- (3) Slide the protrusion on the Amplifier Unit into the hole on the Mounting Bracket.
- (4) Using the M3 mounting screw inside the Amplifier Unit, secure the Amplifier Unit to the mounting base.
- (5) Secure the cover to the case.



Mounting to the Side

- (1) Loosen the M2.6 cover screw and remove the cover. Loosen the M2.6 cover screw and remove the cover, and remove the M3 screw.
- (2) Attached the enclosed M3 screw to the cover and secure the cover to the case.
- (3) Secure the Amplifier Unit with M3 screws from the side. You must provide these screws.



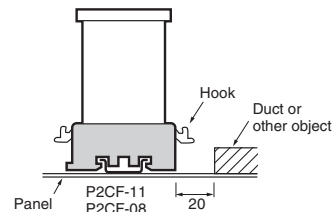
After completing adjustments, attach the enclosed caution label over the adjustment holes to prevent adjustment mistakes.



E2C-A□4A

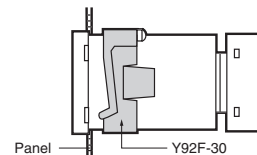
Using P2CF-11, P2CF-08

When aligning the Amplifier Unit vertically with the Socket, consider the space required for the hooks and allow a leeway of about 20 mm above and below the Amplifier Unit.

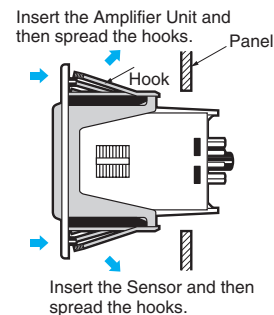


Mounting Embedded in a Panel

- (1) When using the Y92F-30 Embedded Mounting Adapter, insert the Amplifier Unit into a square hold in the panel, attach the Adapter from the back and press in to reduce the gap with the panel. Then secure the Adapter with the screws.

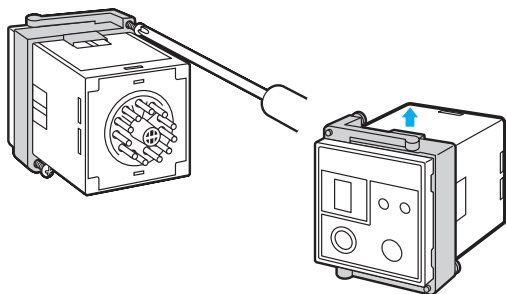


- (2) When using the Y92F-70 or Y92F-71 Embedded Mounting Adapter, just press the Amplifier into a square hole in the panel. If the panel coating is too thick and the hooks do not lock in place, spread the hooks from the back by pushing in the directions of the arrows.

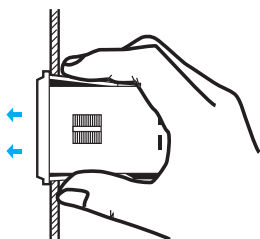


Removing the Amplifier Unit

- When the Amplifier Unit is mounted using the Y92F-30, loosen the screws on the adapter, spread the hooks at the top and bottom, and remove the Adapter.



- Using Y92F-70, Y92F-71
Press in on the hooks with your thumb and forefinger and press forward on the Amplifier Unit.



● Wiring

Self-diagnostic Output

When not using the self-diagnostic output, connect the orange wire to 0 V or cut it and wrap it with insulation tape so that it does not come into contact with other terminals.

● Miscellaneous

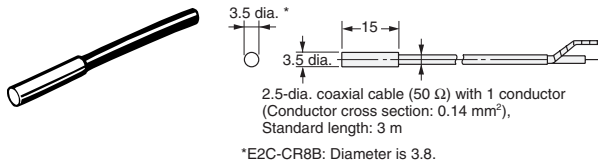
The sensor does not have a water-resistant structure. Do not use it where it would be subjected to water or water vapor.

Dimensions

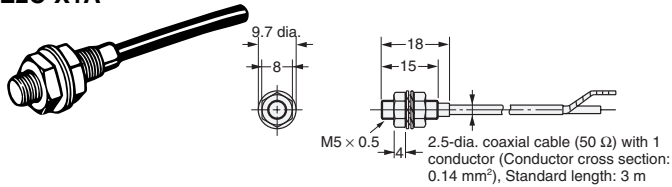
Main Units

Sensor

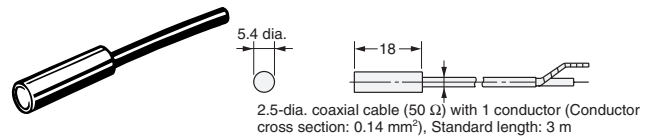
E2C-CR8A/-CR8B



E2C-X1A

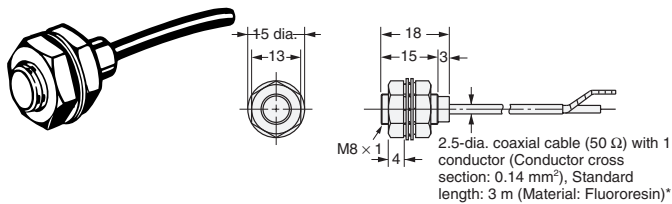


E2C-C1A



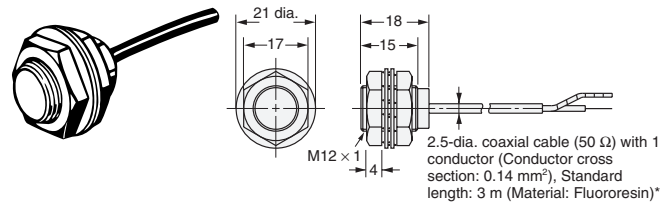
E2C-X1R5A

E2C-X1R5AH*



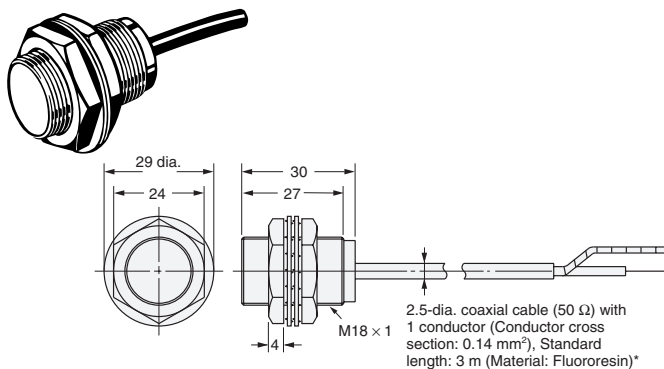
E2C-X2A

E2C-X2AH*

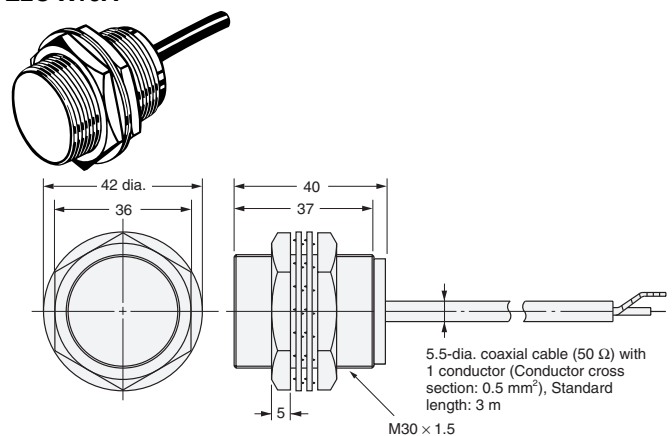


E2C-X5A

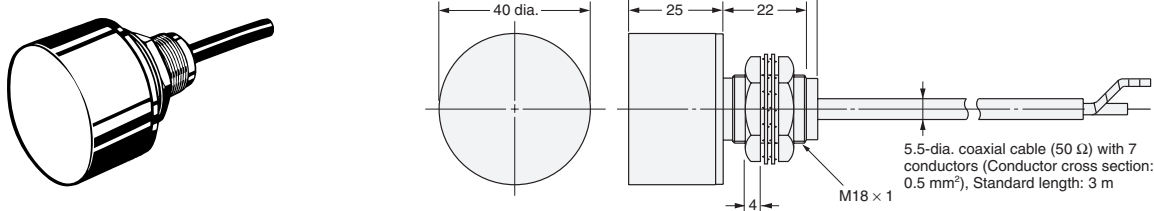
E2C-X5AH*



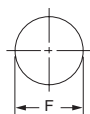
E2C-X10A



E2C-C20MA



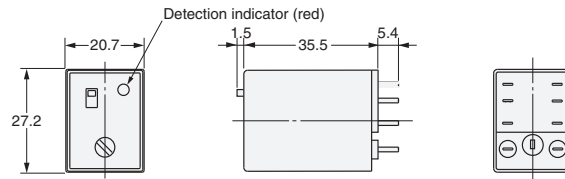
Mounting Hole Dimensions



Model	F (mm)	Model	F (mm)	Model	F (mm)
E2C-CR8A	3.7-dia. $^{+0.3}_0$	E2C-X1A	5.4-dia. $^{+0.5}_0$	E2C-X5A	18.5-dia. $^{+0.5}_0$
E2C-CR8B	4.0-dia. $^{+0.3}_0$	E2C-X1R5A	8.5-dia. $^{+0.5}_0$	E2C-X10A	30.5-dia. $^{+0.5}_0$
E2C-C1A	5.7-dia. $^{+0.3}_0$	E2C-X2A	12.5-dia. $^{+0.5}_0$	E2C-C20MA	18.5-dia. $^{+0.5}_0$

Amplifier Units

E2C-GE4A E2C-GF4A



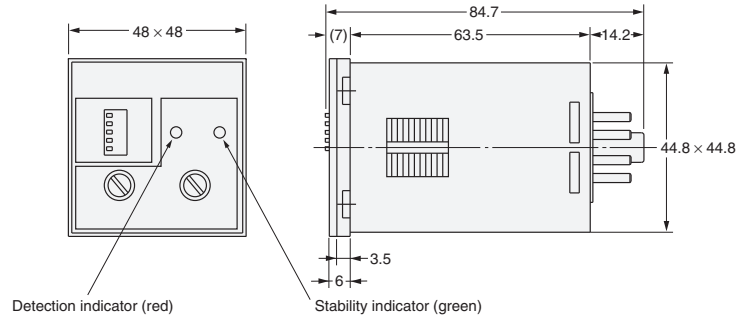
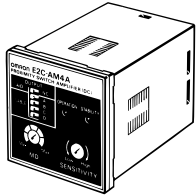
Applicable Sockets (Sold Separately)

- PYF08A
- PYF08

Hold-down Clip

- PYC-A1

E2C-AK4A (11-pin) E2C-AM4A (8-pin)



Applicable Sockets (Sold Separately)

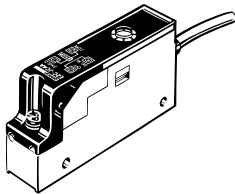
For E2C-AK4A (11-pin)

- P2CF-11
- P3GA-11

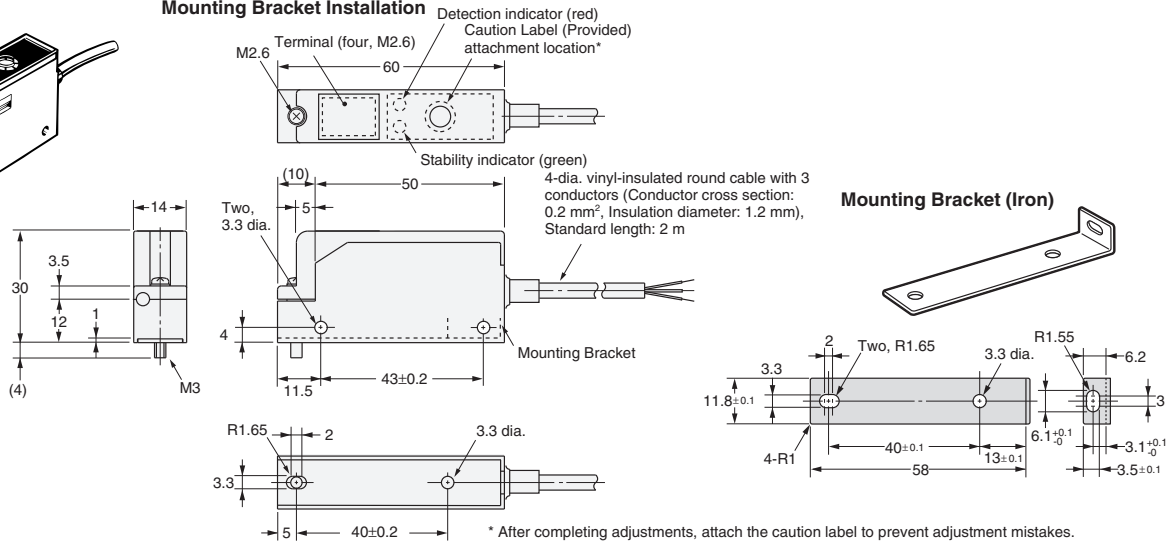
For E2C-AM4A (8-pin)

- P2CF-08
- P3G-08

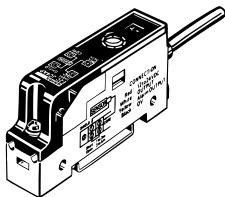
E2C-JC4A



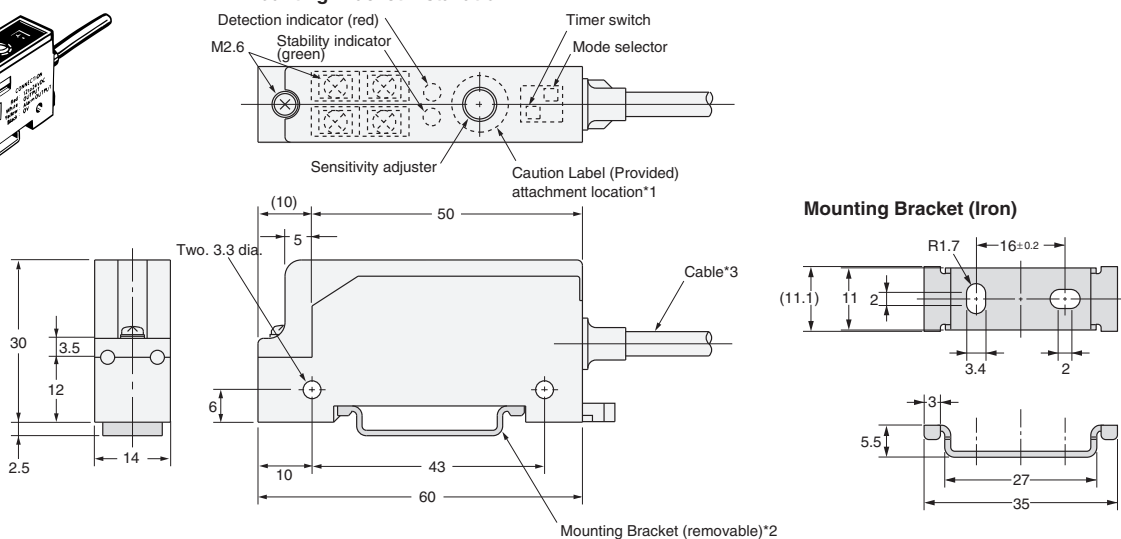
Mounting Bracket Installation



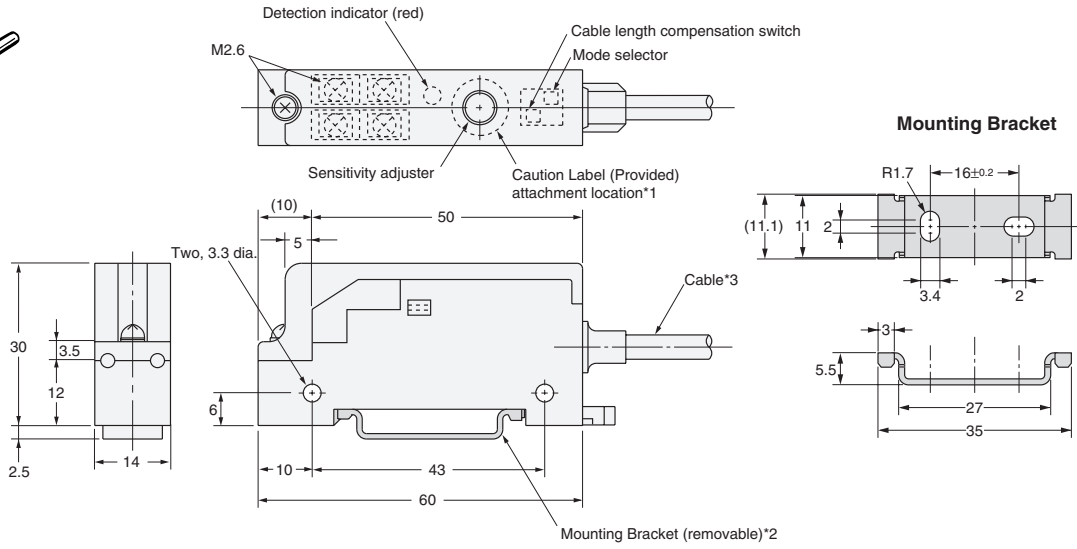
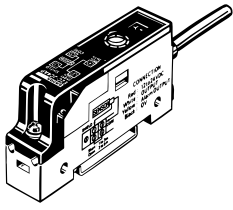
E2C-JC4AP



Mounting Bracket Installation



E2C-JC4□H



*1. After completing adjustments, attach the caution label to prevent adjustment mistakes

*2. Not required when mounting to DIN Track.

*3. 4-dia. vinyl-insulated round cable with 3 conductors (Conductor cross section: 0.2 mm^2 , Insulator diameter: 1.2 mm), Standard length: 2 m
The cable can be extended up to 200 m (separate metal conduit).

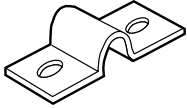
Accessories (Order Separately)

Mounting Bracket

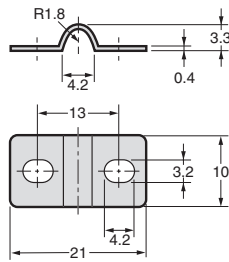
Mounting Bracket (for Unthreaded Cylindrical Models)

Y92E-F3R5 (for 3.5 dia.)

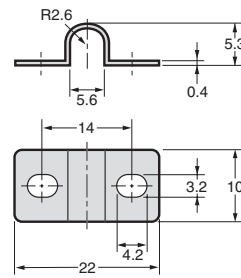
Y92E--F5R4 (for 5.4 dia.)



Y92E-F3R5

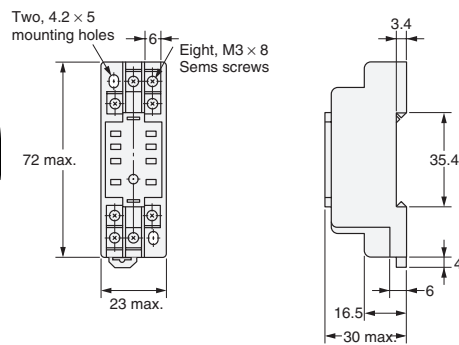
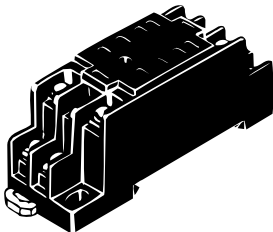


Y92E-F5R4

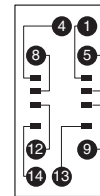


Front Connection Sockets

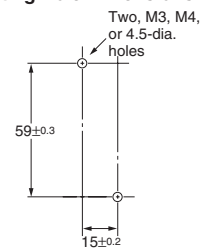
PYF08A



Terminal Arrangement and Internal Connections (Top View)

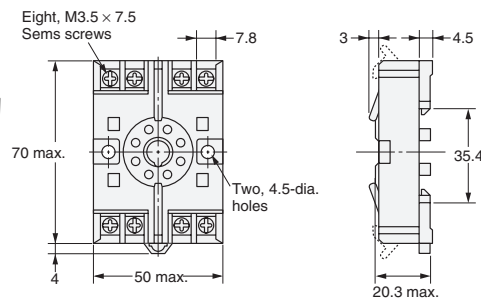
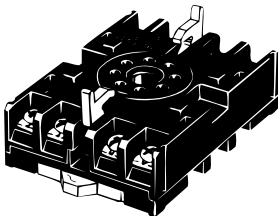


Mounting Hole Dimensions

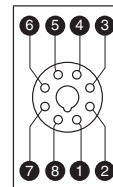


Note: Track mounting is also possible.

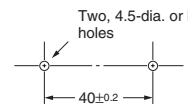
P2CF-08



Terminal Arrangement and Internal Connections (Top View)

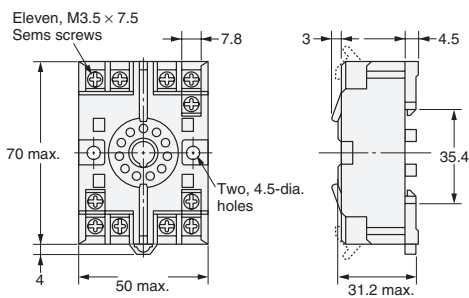
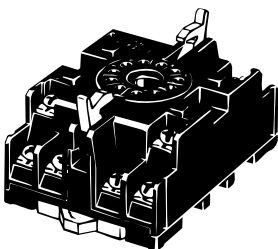


Mounting Hole Dimensions

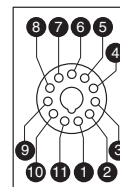


Note: Track mounting is also possible.

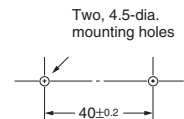
P2CF-11



Terminal Arrangement and Internal Connections (Top View)



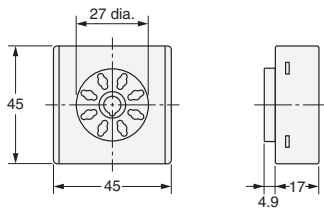
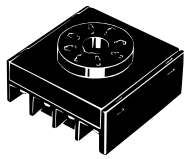
Mounting Hole Dimensions



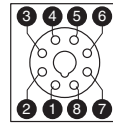
Note: Track mounting is also possible.

Back Connection Sockets

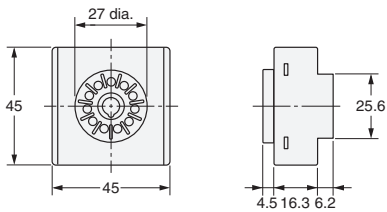
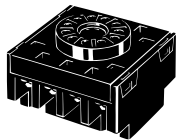
P3G-08



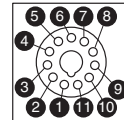
Terminal Arrangement and Internal Connections (Bottom View)



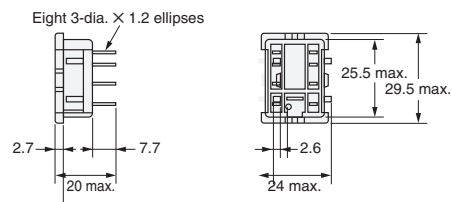
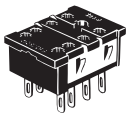
P3GA-11



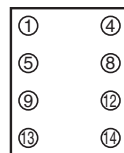
Terminal Arrangement and Internal Connections (Bottom View)



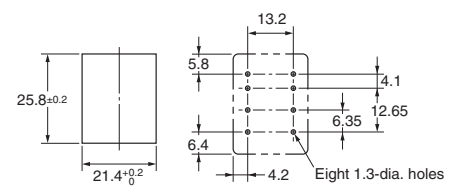
PY08



Terminal Arrangement and Internal Connections (Bottom View)

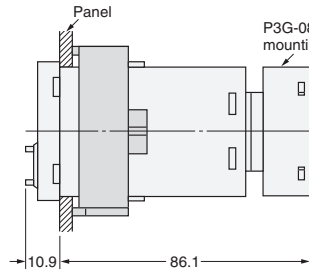
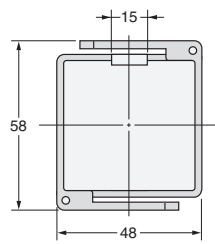
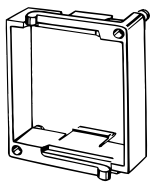


Mounting Holes and PCB Cutout Dimensions

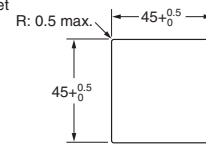


Embedded Mounting Adapter (for E2C-AK4A/E2C-AM4A Amplifier Unit)

Y92F-30

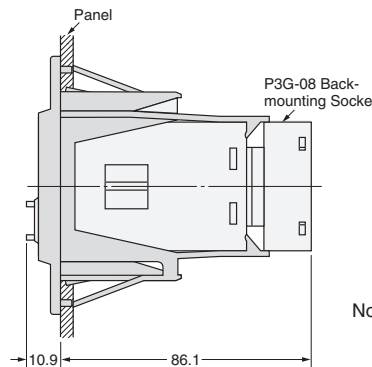
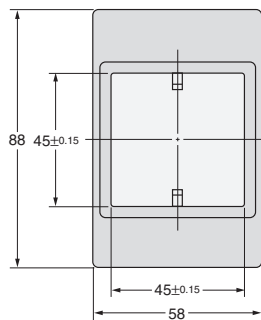
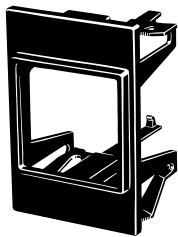


Mounting Hole Dimensions

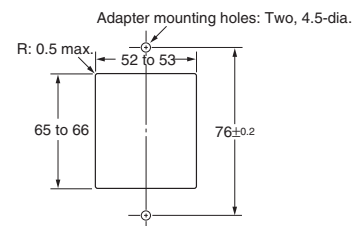


- Note 1. Suitable mounting panel thickness: 1 to 5 mm
- Note 2. Check the direction of the Adapter, which depends on whether Amplifier Units are arranged vertically or horizontally.

Y92F-70

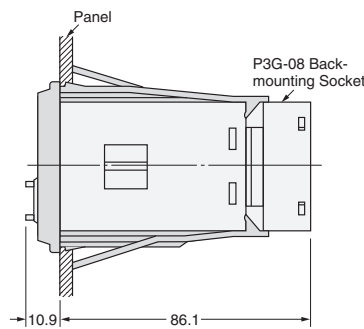
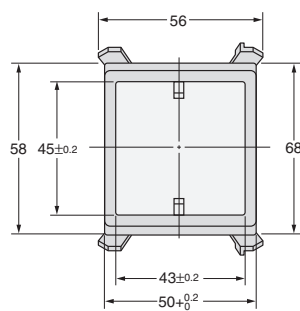


Mounting Hole Dimensions

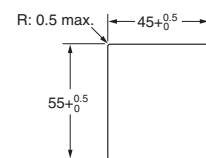


- Note: Suitable mounting panel thickness: 1 to 3.2 mm

Y92F-71



Mounting Hole Dimensions



- Note: Suitable mounting panel thickness: 1 to 3.2 mm

Read and Understand This Catalog

Please read and understand this catalog before purchasing the products. Please consult your OMRON representative if you have any questions or comments.

Warranty and Limitations of Liability

WARRANTY

OMRON's exclusive warranty is that the products are free from defects in materials and workmanship for a period of one year (or other period if specified) from date of sale by OMRON.

OMRON MAKES NO WARRANTY OR REPRESENTATION, EXPRESS OR IMPLIED, REGARDING NON-INFRINGEMENT, MERCHANTABILITY, OR FITNESS FOR PARTICULAR PURPOSE OF THE PRODUCTS. ANY BUYER OR USER ACKNOWLEDGES THAT THE BUYER OR USER ALONE HAS DETERMINED THAT THE PRODUCTS WILL SUITABLY MEET THE REQUIREMENTS OF THEIR INTENDED USE. OMRON DISCLAIMS ALL OTHER WARRANTIES, EXPRESS OR IMPLIED.

LIMITATIONS OF LIABILITY

OMRON SHALL NOT BE RESPONSIBLE FOR SPECIAL, INDIRECT, OR CONSEQUENTIAL DAMAGES, LOSS OF PROFITS OR COMMERCIAL LOSS IN ANY WAY CONNECTED WITH THE PRODUCTS, WHETHER SUCH CLAIM IS BASED ON CONTRACT, WARRANTY, NEGLIGENCE, OR STRICT LIABILITY.

In no event shall the responsibility of OMRON for any act exceed the individual price of the product on which liability is asserted.

IN NO EVENT SHALL OMRON BE RESPONSIBLE FOR WARRANTY, REPAIR, OR OTHER CLAIMS REGARDING THE PRODUCTS UNLESS OMRON'S ANALYSIS CONFIRMS THAT THE PRODUCTS WERE PROPERLY HANDLED, STORED, INSTALLED, AND MAINTAINED AND NOT SUBJECT TO CONTAMINATION, ABUSE, MISUSE, OR INAPPROPRIATE MODIFICATION OR REPAIR.

Application Considerations

SUITABILITY FOR USE

OMRON shall not be responsible for conformity with any standards, codes, or regulations that apply to the combination of products in the customer's application or use of the products.

At the customer's request, OMRON will provide applicable third party certification documents identifying ratings and limitations of use that apply to the products. This information by itself is not sufficient for a complete determination of the suitability of the products in combination with the end product, machine, system, or other application or use.

The following are some examples of applications for which particular attention must be given. This is not intended to be an exhaustive list of all possible uses of the products, nor is it intended to imply that the uses listed may be suitable for the products:

- Outdoor use, uses involving potential chemical contamination or electrical interference, or conditions or uses not described in this catalog.
- Nuclear energy control systems, combustion systems, railroad systems, aviation systems, medical equipment, amusement machines, vehicles, safety equipment, and installations subject to separate industry or government regulations.
- Systems, machines, and equipment that could present a risk to life or property.

Please know and observe all prohibitions of use applicable to the products.

NEVER USE THE PRODUCTS FOR AN APPLICATION INVOLVING SERIOUS RISK TO LIFE OR PROPERTY WITHOUT ENSURING THAT THE SYSTEM AS A WHOLE HAS BEEN DESIGNED TO ADDRESS THE RISKS, AND THAT THE OMRON PRODUCTS ARE PROPERLY RATED AND INSTALLED FOR THE INTENDED USE WITHIN THE OVERALL EQUIPMENT OR SYSTEM.

PROGRAMMABLE PRODUCTS

OMRON shall not be responsible for the user's programming of a programmable product, or any consequence thereof.

Disclaimers

CHANGE IN SPECIFICATIONS

Product specifications and accessories may be changed at any time based on improvements and other reasons.

It is our practice to change model numbers when published ratings or features are changed, or when significant construction changes are made. However, some specifications of the products may be changed without any notice. When in doubt, special model numbers may be assigned to fix or establish key specifications for your application on your request. Please consult with your OMRON representative at any time to confirm actual specifications of purchased products.

DIMENSIONS AND WEIGHTS

Dimensions and weights are nominal and are not to be used for manufacturing purposes, even when tolerances are shown.

PERFORMANCE DATA

Performance data given in this catalog is provided as a guide for the user in determining suitability and does not constitute a warranty. It may represent the result of OMRON's test conditions, and the users must correlate it to actual application requirements. Actual performance is subject to the OMRON Warranty and Limitations of Liability.

ERRORS AND OMISSIONS

The information in this document has been carefully checked and is believed to be accurate; however, no responsibility is assumed for clerical, typographical, or proofreading errors, or omissions.

2012.12

In the interest of product improvement, specifications are subject to change without notice.

OMRON Corporation
Industrial Automation Company

<http://www.ia.omron.com/>

(c)Copyright OMRON Corporation 2012 All Right Reserved.

Mouser Electronics

Authorized Distributor

Click to View Pricing, Inventory, Delivery & Lifecycle Information:

[Omron:](#)

[E2C-CR8A](#)



Компания «ЭлектроПласт» предлагает заключение долгосрочных отношений при поставках импортных электронных компонентов на взаимовыгодных условиях!

Наши преимущества:

- Оперативные поставки широкого спектра электронных компонентов отечественного и импортного производства напрямую от производителей и с крупнейших мировых складов;
- Поставка более 17-ти миллионов наименований электронных компонентов;
- Поставка сложных, дефицитных, либо снятых с производства позиций;
- Оперативные сроки поставки под заказ (от 5 рабочих дней);
- Экспресс доставка в любую точку России;
- Техническая поддержка проекта, помощь в подборе аналогов, поставка прототипов;
- Система менеджмента качества сертифицирована по Международному стандарту ISO 9001;
- Лицензия ФСБ на осуществление работ с использованием сведений, составляющих государственную тайну;
- Поставка специализированных компонентов (Xilinx, Altera, Analog Devices, Intersil, Interpoint, Microsemi, Aeroflex, Peregrine, Syfer, Eurofarad, Texas Instrument, Miteq, Cobham, E2V, MA-COM, Hittite, Mini-Circuits, General Dynamics и др.);

Помимо этого, одним из направлений компании «ЭлектроПласт» является направление «Источники питания». Мы предлагаем Вам помощь Конструкторского отдела:

- Подбор оптимального решения, техническое обоснование при выборе компонента;
- Подбор аналогов;
- Консультации по применению компонента;
- Поставка образцов и прототипов;
- Техническая поддержка проекта;
- Защита от снятия компонента с производства.



Как с нами связаться

Телефон: 8 (812) 309 58 32 (многоканальный)

Факс: 8 (812) 320-02-42

Электронная почта: org@eplast1.ru

Адрес: 198099, г. Санкт-Петербург, ул. Калинина, дом 2, корпус 4, литера А.