

250A SERIES

3-Phase Voltage/Phase Monitor

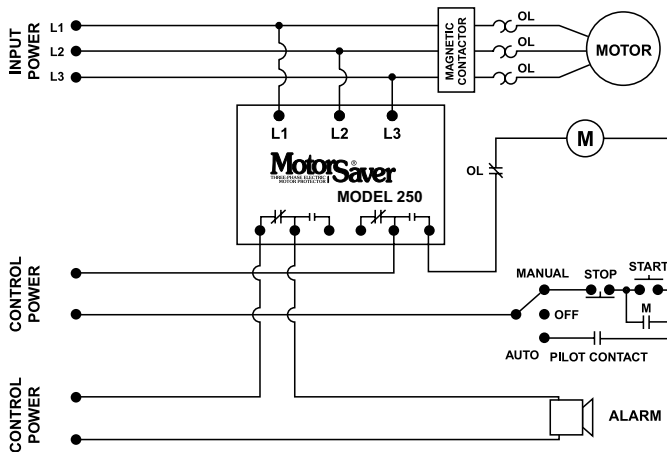


Description

The 250A is a 3-phase, auto-ranging, dual-range voltage monitor that protects 190-480VAC, 50/60Hz motors regardless of size from low and high voltage, unbalance/single-phase, and reverse-phase. The product provides a user selectable nominal voltage setpoint and the voltage monitor automatically selects between the 200V and 400V range. The 250A also features adjustable or manual restart delay.

This unique microcontroller-based voltage and phase-sensing device constantly monitors the 3-phase voltages to detect harmful power line conditions. When a harmful condition is detected, the output relay is deactivated after a specified trip delay. The output relay reactivates after power line conditions return to acceptable levels. The Model 250A includes advanced single LED diagnostics. Five different light patterns distinguish between faults and normal conditions.

Wiring Diagram



Features & Benefits

FEATURES	BENEFITS
Proprietary microcontroller based circuitry	Constant monitoring of single-phase, low voltage, voltage unbalance, phase reversal, harmful power line conditions.
Auto-sensing wide voltage range	Automatically senses system voltage between 190 - 480VAC. Saves setup time.
Advanced LED diagnostics	Quick visual indicator for cause of trip. LED indications include: normal operation, power-up restart delay, reverse-phase trip, unbalance/single-phase trip, high or low voltage trip
Adjustable trip delay	Prevent nuisance tripping due to rapidly fluctuating power line conditions.
DPDT relay output	Allows for versatility to meet wide application needs
Manual Reset	Allows for inspection of equipment before system is re-energized

Ordering Information

MODEL	LINE VOLTAGE	% OF SETPOINT				DESCRIPTION
		LOW VOLTAGE TRIP	LOW VOLTAGE RESET	HIGH VOLTAGE TRIP	HIGH VOLTAGE RESET	
250A	190-480VAC	90%	93%	110%	107%	Provides high and low voltage protection at fixed percentage of nominal voltage.
250600	475-600VAC	90%	93%	110%	107%	Provides high and low voltage protection at fixed percentage of nominal voltage.
250A-MET	190-480VAC	85%	88%	N/A	N/A	Designed for use with Fire Control Panels. Has 2 Form C contacts that operate independently. Left Form C energizes when voltage conditions are good and de-energize when a fault condition is detected. Right Form C only energizes during a reverse-phase condition. No high voltage protection.
250-100-MET	95-120VAC	85%	88%	N/A	N/A	Designed for use with Fire Control Panels. Has 2 Form C contacts that operate independently. Left Form C energizes when voltage conditions are good and de-energize when a fault condition is detected. Right Form C only energizes during a reverse-phase condition. No high voltage protection.

250A SERIES

Specifications

Frequency	50*/60Hz Low Voltage
Functional Characteristics	
Voltage Unbalance (NEMA)	
Trip	6%
Reset	4.5%
Trip Delay Time	
Low Voltage, High Voltage	4 seconds
Unbalance, Phasing Faults	2 seconds
Restart Delay Time	
After a Fault or Complete Power Loss	Manual, 2-300 seconds adj.
Output Characteristics	
Output Contact Rating (DPDT - 2 Form C)	
Pilot Duty	480VA @ 240VAC
General Purpose	10A @ 240VAC
Temperature Range	-40° to 70°C (-40° to 158°F)
Trip & Reset Accuracy	±1%
Maximum Input Power	5 W
Relative Humidity	Up to 95% non-condensing per IEC 68-2-3
Terminal Torque	7 in.-lbs.
Wire Size	12-18AWG
Transient Protection (Internal)	IEC 61000-4-5;1995 ±6kV
Approvals	
UL	UL508 (File #E68520)
CSA	CSA 22.2 No. 14 (File#46510)
CE	CE IEC 60947-6-2
Dimensions	H 74.4 mm (2.93"); W 133.9 mm (5.27"); D 74.9 mm (2.95")
Weight	1.02 lb. (16.32 oz., 462.66 g)
Mounting Method	#8 screws

*Note: 50Hz will increase all delay timers by 20%.



Компания «ЭлектроПласт» предлагает заключение долгосрочных отношений при поставках импортных электронных компонентов на взаимовыгодных условиях!

Наши преимущества:

- Оперативные поставки широкого спектра электронных компонентов отечественного и импортного производства напрямую от производителей и с крупнейших мировых складов;
- Поставка более 17-ти миллионов наименований электронных компонентов;
- Поставка сложных, дефицитных, либо снятых с производства позиций;
- Оперативные сроки поставки под заказ (от 5 рабочих дней);
- Экспресс доставка в любую точку России;
- Техническая поддержка проекта, помощь в подборе аналогов, поставка прототипов;
- Система менеджмента качества сертифицирована по Международному стандарту ISO 9001;
- Лицензия ФСБ на осуществление работ с использованием сведений, составляющих государственную тайну;
- Поставка специализированных компонентов (Xilinx, Altera, Analog Devices, Intersil, Interpoint, Microsemi, Aeroflex, Peregrine, Syfer, Eurofarad, Texas Instrument, Miteq, Cobham, E2V, MA-COM, Hittite, Mini-Circuits, General Dynamics и др.);

Помимо этого, одним из направлений компании «ЭлектроПласт» является направление «Источники питания». Мы предлагаем Вам помощь Конструкторского отдела:

- Подбор оптимального решения, техническое обоснование при выборе компонента;
- Подбор аналогов;
- Консультации по применению компонента;
- Поставка образцов и прототипов;
- Техническая поддержка проекта;
- Защита от снятия компонента с производства.



Как с нами связаться

Телефон: 8 (812) 309 58 32 (многоканальный)

Факс: 8 (812) 320-02-42

Электронная почта: org@eplast1.ru

Адрес: 198099, г. Санкт-Петербург, ул. Калинина, дом 2, корпус 4, литера А.