

250A SERIES

3-Phase Voltage/Phase Monitor

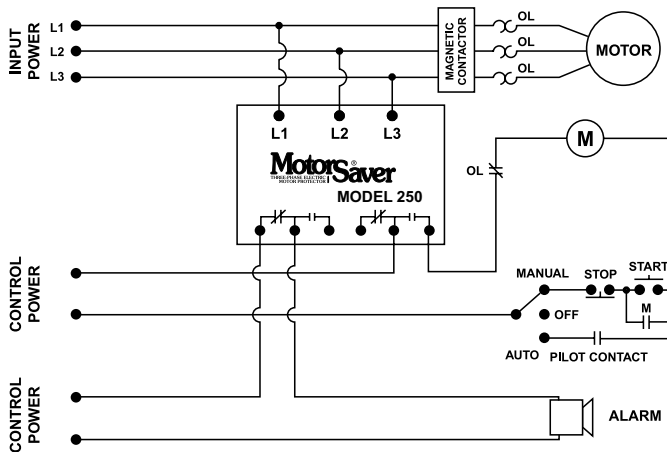


Description

The 250A is a 3-phase, auto-ranging, dual-range voltage monitor that protects 190-480VAC, 50/60Hz motors regardless of size from low and high voltage, unbalance/single-phase, and reverse-phase. The product provides a user selectable nominal voltage setpoint and the voltage monitor automatically selects between the 200V and 400V range. The 250A also features adjustable or manual restart delay.

This unique microcontroller-based voltage and phase-sensing device constantly monitors the 3-phase voltages to detect harmful power line conditions. When a harmful condition is detected, the output relay is deactivated after a specified trip delay. The output relay reactivates after power line conditions return to acceptable levels. The Model 250A includes advanced single LED diagnostics. Five different light patterns distinguish between faults and normal conditions.

Wiring Diagram



Features & Benefits

| FEATURES | BENEFITS |
|--|--|
| Proprietary microcontroller based circuitry | Constant monitoring of single-phase, low voltage, voltage unbalance, phase reversal, harmful power line conditions. |
| Auto-sensing wide voltage range | Automatically senses system voltage between 190 - 480VAC. Saves setup time. |
| Advanced LED diagnostics | Quick visual indicator for cause of trip. LED indications include: normal operation, power-up restart delay, reverse-phase trip, unbalance/single-phase trip, high or low voltage trip |
| Adjustable trip delay | Prevent nuisance tripping due to rapidly fluctuating power line conditions. |
| DPDT relay output | Allows for versatility to meet wide application needs |
| Manual Reset | Allows for inspection of equipment before system is re-energized |

Ordering Information

| MODEL | LINE VOLTAGE | % OF SETPOINT | | | | DESCRIPTION |
|-------------|--------------|------------------|-------------------|-------------------|--------------------|---|
| | | LOW VOLTAGE TRIP | LOW VOLTAGE RESET | HIGH VOLTAGE TRIP | HIGH VOLTAGE RESET | |
| 250A | 190-480VAC | 90% | 93% | 110% | 107% | Provides high and low voltage protection at fixed percentage of nominal voltage. |
| 250600 | 475-600VAC | 90% | 93% | 110% | 107% | Provides high and low voltage protection at fixed percentage of nominal voltage. |
| 250A-MET | 190-480VAC | 85% | 88% | N/A | N/A | Designed for use with Fire Control Panels. Has 2 Form C contacts that operate independently. Left Form C energizes when voltage conditions are good and de-energize when a fault condition is detected. Right Form C only energizes during a reverse-phase condition. No high voltage protection. |
| 250-100-MET | 95-120VAC | 85% | 88% | N/A | N/A | Designed for use with Fire Control Panels. Has 2 Form C contacts that operate independently. Left Form C energizes when voltage conditions are good and de-energize when a fault condition is detected. Right Form C only energizes during a reverse-phase condition. No high voltage protection. |

250A SERIES

Specifications

| | |
|--|--|
| Frequency | 50*/60Hz Low Voltage |
| Functional Characteristics | |
| Voltage Unbalance (NEMA) | |
| Trip | 6% |
| Reset | 4.5% |
| Trip Delay Time | |
| Low Voltage, High Voltage | 4 seconds |
| Unbalance, Phasing Faults | 2 seconds |
| Restart Delay Time | |
| After a Fault or Complete Power Loss | Manual, 2-300 seconds adj. |
| Output Characteristics | |
| Output Contact Rating (DPDT - 2 Form C) | |
| Pilot Duty | 480VA @ 240VAC |
| General Purpose | 10A @ 240VAC |
| Temperature Range | -40° to 70°C (-40° to 158°F) |
| Trip & Reset Accuracy | ±1% |
| Maximum Input Power | 5 W |
| Relative Humidity | Up to 95% non-condensing per IEC 68-2-3 |
| Terminal Torque | 7 in.-lbs. |
| Wire Size | 12-18AWG |
| Transient Protection (Internal) | IEC 61000-4-5;1995 ±6kV |
| Approvals | |
| UL | UL508 (File #E68520) |
| CSA | CSA 22.2 No. 14 (File#46510) |
| CE | CE IEC 60947-6-2 |
| Dimensions | H 74.4 mm (2.93"); W 133.9 mm (5.27"); D 74.9 mm (2.95") |
| Weight | 1.02 lb. (16.32 oz., 462.66 g) |
| Mounting Method | #8 screws |

*Note: 50Hz will increase all delay timers by 20%.



Компания «ЭлектроПласт» предлагает заключение долгосрочных отношений при поставках импортных электронных компонентов на взаимовыгодных условиях!

Наши преимущества:

- Оперативные поставки широкого спектра электронных компонентов отечественного и импортного производства напрямую от производителей и с крупнейших мировых складов;
- Поставка более 17-ти миллионов наименований электронных компонентов;
- Поставка сложных, дефицитных, либо снятых с производства позиций;
- Оперативные сроки поставки под заказ (от 5 рабочих дней);
- Экспресс доставка в любую точку России;
- Техническая поддержка проекта, помощь в подборе аналогов, поставка прототипов;
- Система менеджмента качества сертифицирована по Международному стандарту ISO 9001;
- Лицензия ФСБ на осуществление работ с использованием сведений, составляющих государственную тайну;
- Поставка специализированных компонентов (Xilinx, Altera, Analog Devices, Intersil, Interpoint, Microsemi, Aeroflex, Peregrine, Syfer, Eurofarad, Texas Instrument, Miteq, Cobham, E2V, MA-COM, Hittite, Mini-Circuits, General Dynamics и др.);

Помимо этого, одним из направлений компании «ЭлектроПласт» является направление «Источники питания». Мы предлагаем Вам помощь Конструкторского отдела:

- Подбор оптимального решения, техническое обоснование при выборе компонента;
- Подбор аналогов;
- Консультации по применению компонента;
- Поставка образцов и прототипов;
- Техническая поддержка проекта;
- Защита от снятия компонента с производства.



Как с нами связаться

Телефон: 8 (812) 309 58 32 (многоканальный)

Факс: 8 (812) 320-02-42

Электронная почта: org@eplast1.ru

Адрес: 198099, г. Санкт-Петербург, ул. Калинина, дом 2, корпус 4, литера А.