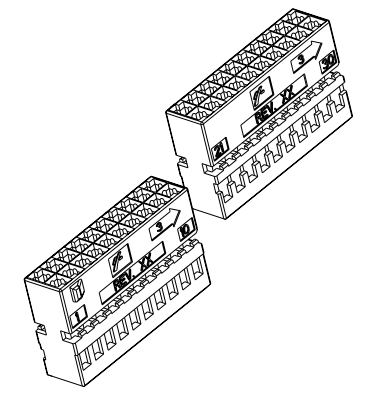
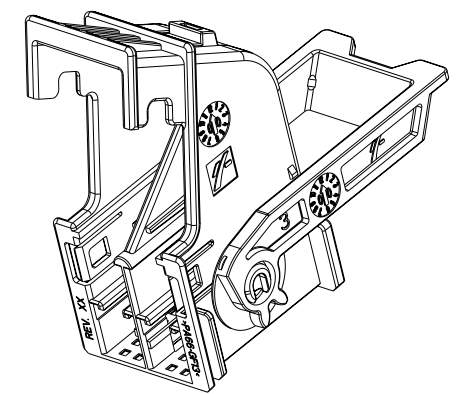
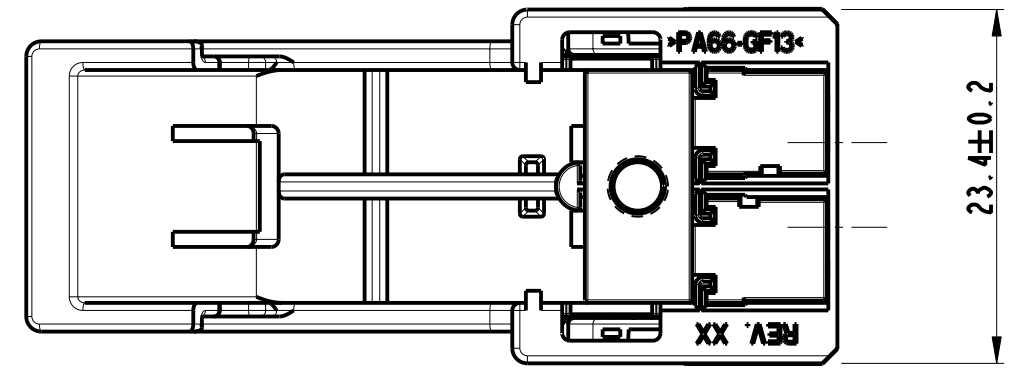
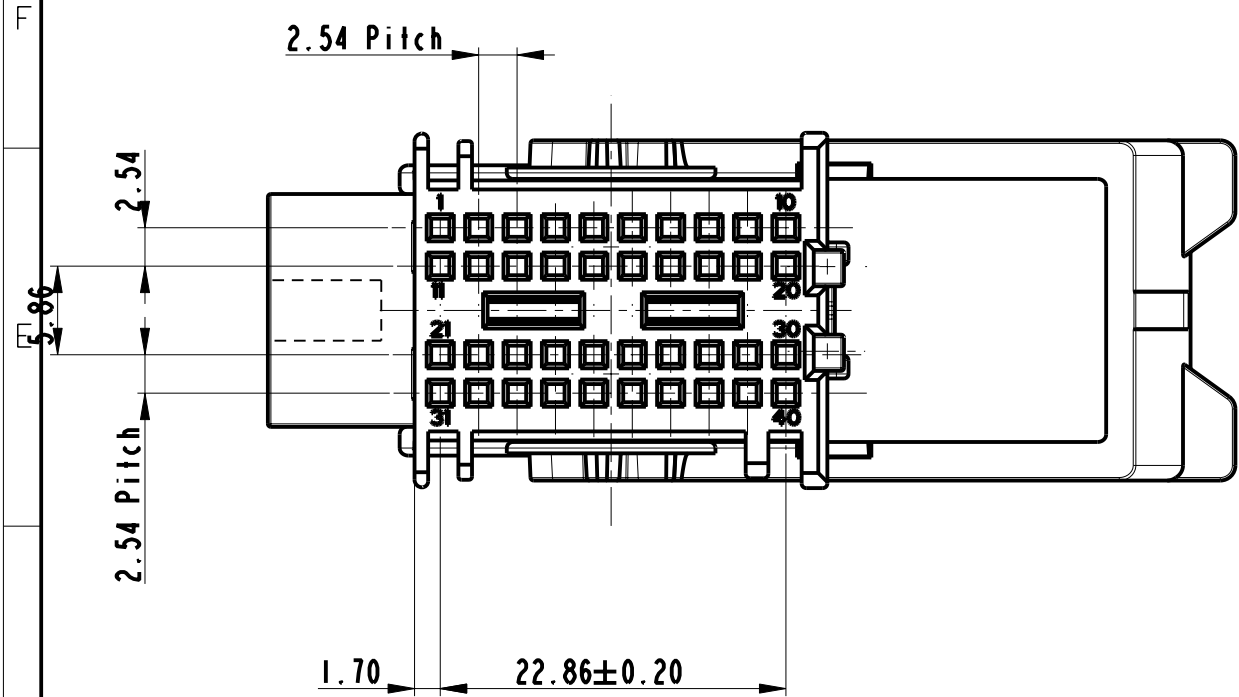
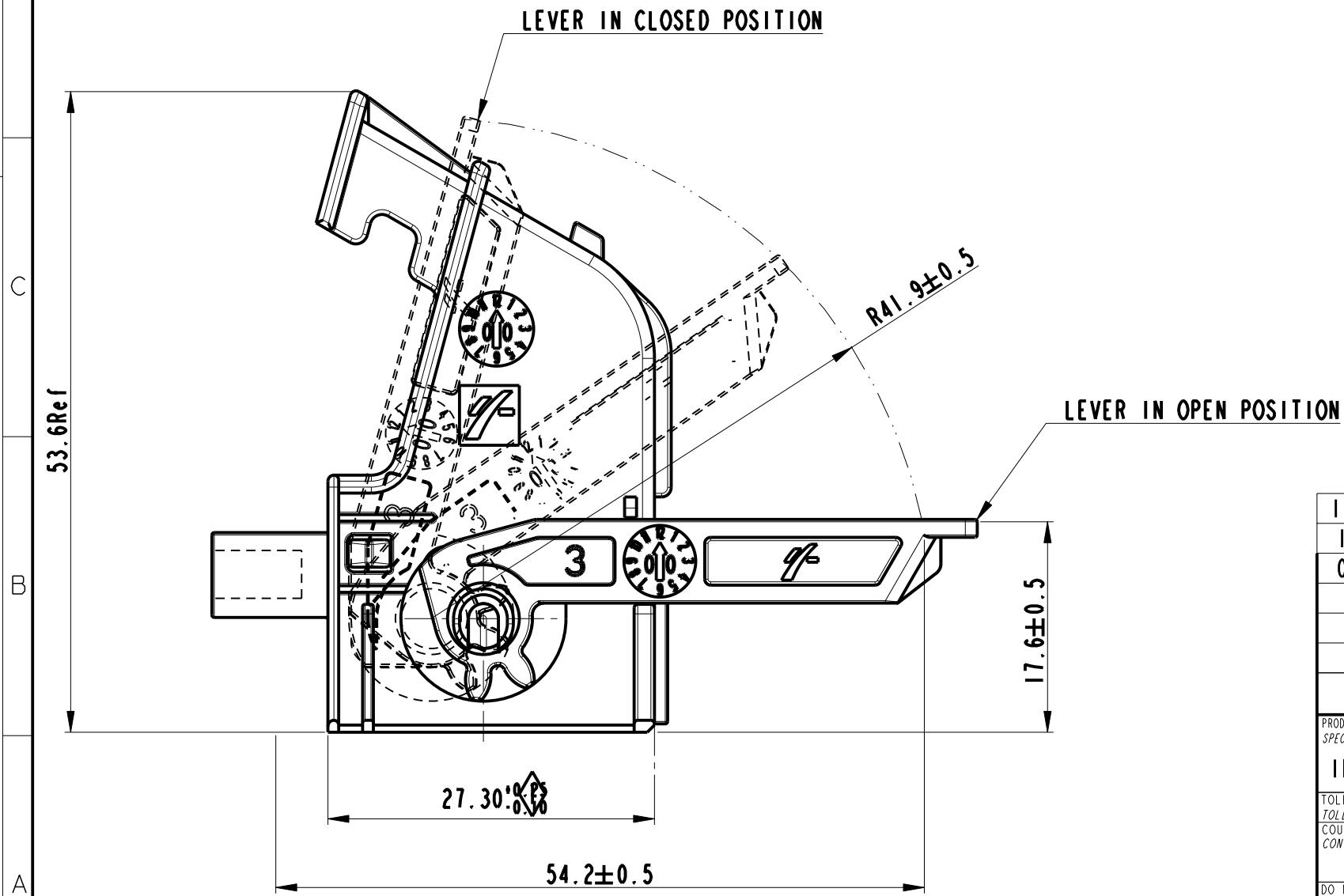


STRICTLY CONFIDENTIAL



RELEASED FOR PRODUCTION



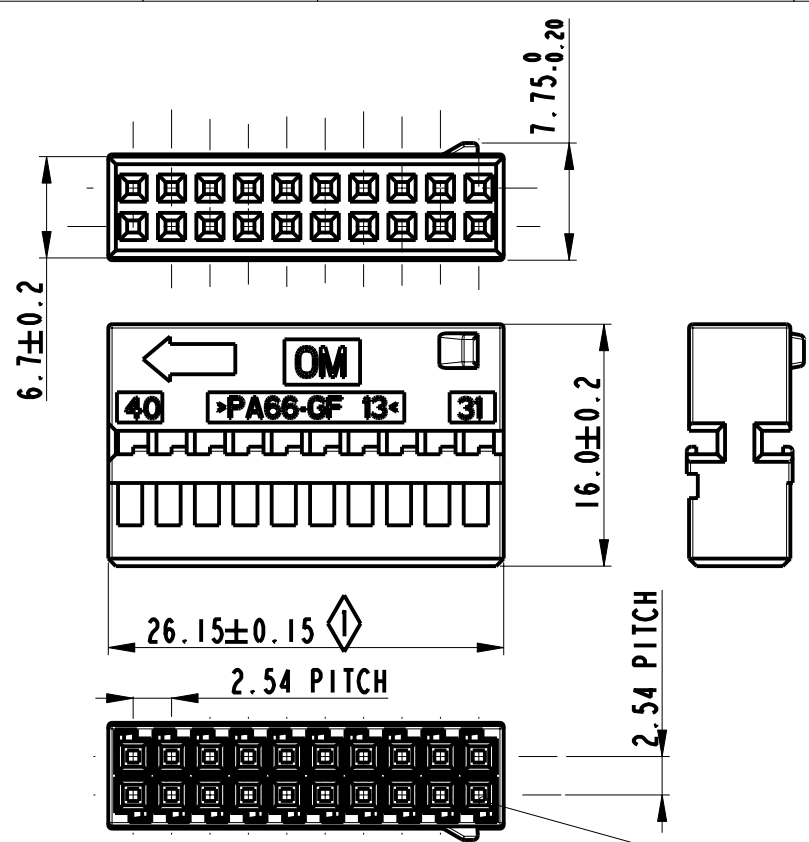
ECN-NO. NUMERO -ECN	DATE DD / MM / YY	REVISION REVISIONE	POSITION POSIZIONE	CHANGE DESCRIPTION DESCRIZIONE MODIFICA	DRAWN BY DISEGNATORE	CHK. BY CONTROLLATO	APPR. BY APPROVATO
14-07742	04/11/14	A		DELPHI P/N ADDED	S.N	F.G	M.C
17/2001	06/07/01	05		Aggiunti due nuovi Part Numbers	R.P.	PC.B.	
09/2001	24/04/01	04		Released for production	R.P.	PC.B.	
	16/02/01	03		Aggiornamento quote	R.P.	PC.B.	
	18/01/01	02		Aggiunte nervature interne	R.P.	PC.B.	
	30/10/00	01	-	Modif. profilo esterno cover	R.P.	PC.B.	

PRODUCT SPEC. SPEC. DI PRODOTTO	PACKAGING SPEC. SPEC. DI IMBALLAGGIO	APPLICATION SPEC. SPEC. DI APPLICAZIONE	COPYRIGHT DELPHI CORPORATION AND/OR ITS AFFILIATES. ALL RIGHTS RESERVED. REVISED THIS DRAWING IS THE PROPERTY OF DELPHI CORPORATION. THE REPRODUCTION, DISTRIBUTION AND UTILIZATION OF THIS DOCUMENT OR ITS RELATED CAD MATH DATA, AS WELL AS COMMUNICATION OF ANY CONTENT TO OTHERS, WITHOUT EXPRESS AUTHORIZATION IS PROHIBITED.				
IPS 213	SPEC.	IPS 216, IPS 217 IPS 218	DELPHI CORPORATION AND/OR ITS AFFILIATES. ALL RIGHTS RESERVED. REVISED THIS DRAWING IS THE PROPERTY OF DELPHI CORPORATION. THE REPRODUCTION, DISTRIBUTION AND UTILIZATION OF THIS DOCUMENT OR ITS RELATED CAD MATH DATA, AS WELL AS COMMUNICATION OF ANY CONTENT TO OTHERS, WITHOUT EXPRESS AUTHORIZATION IS PROHIBITED.				
TOLERANCES TOLLERANZE COUNTERPART Nr. CONTROPARTE Nr.	± 0.1mm / ±0.5'	MATERIAL : MATERIALE :	See Table	SURFACE FINISH FINITURA SUPERFICIALE	DELPHI DELPHI PACKARD ELECTRICAL/ELECTRONIC ARCHITECTURE TORINO, ITALY		
DO NOT SCALE DRAWING DISEGNO FUORI SCALA	DATE DATA	NAME NOME	TITLE DESCRIZIONE	LOC. CODE NAZIONALITA'	IT	C ISO PROJECTION PROIEZIONE ISO	
DRAWN BY DISEGNATORE	08/09/00	R.P.	40 Ways Duo Twin Connector	DRAWING NUMBER NUMERO DISEGNO		FSC 309368	
CHECKED BY CONTROLLATO	08/09/00	PC.B.		FILE NAME NOME FILE		See Table	
APPROVED BY APPROVATO				SCALE SCALA		2:1	

STRICTLY CONFIDENTIAL

MVL P/N KIT	DELPHI P/N KIT	COVER+LEVER P/N CODING KEY DETAIL	COLOUR	MATERIAL COVER- LEVER	FEMALE HOLDER CODING KEY DETAIL	MATERIAL FEMALE HOLDER	COLOR	POSITION
100840BLK	33500284		BLUE	COVER PA66 GF 13% LEVER PA66 GF 30%		PA66 GF 13%	BLUE	21-40
100840BKK	33500282		BLACK	COVER PA66 GF 13% LEVER PA66 GF 30%		PA66 GF 13%	GREY	1-20
100840BKS VERSIONE "841"	33500283		BLACK	COVER PA66 GF 13% LEVER PA66 GF 30%		PA66 GF 13%	GREEN	1-20
						PA66 GF 13%	RED	21-40

Per questo tipo di moduli sono previsti i seguenti contatti:
 Terminale 0.64 Duo Twin
 MVL P/N 60080131/60080111
 60080211/60080231
 DELPHI P/N 10820518/10820519
 15508913/15508254
 N.B.: Nella fornitura del kit i moduli (Female Holder) vengono forniti in un sacchetto a parte. La leva verro' fornita assemblata in posizione chiusa.



RELEASED FOR PRODUCTION

n° 20 CAVITIES FOR DUO TWIN CONNECTOR
 COMPATIBLE FOR MQS CONTACT

14-07742	04/11/14	A		DELPHI P/N ADDED	S.N	F.G	M.C
	06/07/01	05		Aggiunto nuovo Part Number	R.P	PC.B	
09/2001	24/04/01	04		Released for production	R.P.	PC.B.	
	16/02/01	03		Aggiornamento quote	R.P.	PC.B.	
	18/01/01	02		Aggiunte nervature interne	R.P.	PC.B.	
	30/10/00	01		Modif. profilo esterno cover	R.P.	PC.B.	
ECN-NO. NUMERO -ECN	DATE DD / MM / YY DATA	REVISION REVISIONE	POSITION POSIZIONE	CHANGE DESCRIPTION DESCRIZIONE MODIFICA	DRAWN BY DISEGNATORE	CHK. BY CONTROLLATO	APPR. BY APPROVATO
PRODUCT SPEC. SPEC. DI PRODOTTO	PACKAGING SPEC. SPEC. DI IMBALLAGGIO	APPLICATION SPEC. SPEC. DI APPLICAZIONE	COPYRIGHT DELPHI CORPORATION AND/OR ITS AFFILIATES. ALL RIGHTS RESERVED. REVISED THIS DRAWING IS THE PROPERTY OF DELPHI CORPORATION. THE REPRODUCTION, DISTRIBUTION AND UTILIZATION OF THIS DOCUMENT OR ITS RELATED CAD MATH DOCUMENTS, AS WELL AS COMMUNICATION OF ANY CONTENT TO OTHERS, WITHOUT EXPRESS AUTHORIZATION IS PROHIBITED.				
IPS 213	spec.	IPS 216, IPS 217 IPS 218	DELPHI CORPORATION AND/OR ITS AFFILIATES. ALL RIGHTS RESERVED. REVISED THIS DRAWING IS THE PROPERTY OF DELPHI CORPORATION. THE REPRODUCTION, DISTRIBUTION AND UTILIZATION OF THIS DOCUMENT OR ITS RELATED CAD MATH DOCUMENTS, AS WELL AS COMMUNICATION OF ANY CONTENT TO OTHERS, WITHOUT EXPRESS AUTHORIZATION IS PROHIBITED.				
TOLERANCES TOLLERANZE	± 0.1mm / ±0.5'	MATERIAL : MATERIALE :	SURFACE FINISH FINITURA SUPERFICIALE		DELPHI DELPHI PACKARD ELECTRICAL/ELECTRONIC ARCHITECTURE TORINO, ITALY		
COUNTERPART Nr. CONTROPARTE Nr.		COLOUR : COLORE :	SEE TABLE		C ISO PROJECTION PROIEZIONE ISO		
DO NOT SCALE DRAWING DISEGNO FUORI SCALA		TOOL NO.	LOC. CODE NAZIONALITA' IT		DIMENSION IN MILLIMETERS DIMENSIONI IN MILLIMETRI		
DRAWN BY DISEGNATORE	DATE DATA	NAME NOME	TITLE DESCRIZIONE		DRAWING NUMBER NUMERO DISEGNO		SHEET FOGLIO
CHECKED BY CONTROLLATO	08/09/00	R.P.	40 Ways Duo Twin Connector		FSC 309368		2 of 1 di 2
APPROVED BY APPROVATO	08/09/00	PC.B.			SEE TABLE		SCALE SCALA 2:1
			ESR NO. NUMERO ESR		CAT. NO. NUMERO CAT.		
			ITA 2046a		FSC 309368		



Компания «ЭлектроПласт» предлагает заключение долгосрочных отношений при поставках импортных электронных компонентов на взаимовыгодных условиях!

Наши преимущества:

- Оперативные поставки широкого спектра электронных компонентов отечественного и импортного производства напрямую от производителей и с крупнейших мировых складов;
- Поставка более 17-ти миллионов наименований электронных компонентов;
- Поставка сложных, дефицитных, либо снятых с производства позиций;
- Оперативные сроки поставки под заказ (от 5 рабочих дней);
- Экспресс доставка в любую точку России;
- Техническая поддержка проекта, помощь в подборе аналогов, поставка прототипов;
- Система менеджмента качества сертифицирована по Международному стандарту ISO 9001;
- Лицензия ФСБ на осуществление работ с использованием сведений, составляющих государственную тайну;
- Поставка специализированных компонентов (Xilinx, Altera, Analog Devices, Intersil, Interpoint, Microsemi, Aeroflex, Peregrine, Syfer, Eurofarad, Texas Instrument, Miteq, Cobham, E2V, MA-COM, Hittite, Mini-Circuits, General Dynamics и др.);

Помимо этого, одним из направлений компании «ЭлектроПласт» является направление «Источники питания». Мы предлагаем Вам помощь Конструкторского отдела:

- Подбор оптимального решения, техническое обоснование при выборе компонента;
- Подбор аналогов;
- Консультации по применению компонента;
- Поставка образцов и прототипов;
- Техническая поддержка проекта;
- Защита от снятия компонента с производства.



Как с нами связаться

Телефон: 8 (812) 309 58 32 (многоканальный)

Факс: 8 (812) 320-02-42

Электронная почта: org@eplast1.ru

Адрес: 198099, г. Санкт-Петербург, ул. Калинина, дом 2, корпус 4, литера А.