



MAX9892 Evaluation Kit

Evaluates: MAX9892

General Description

The MAX9892 evaluation kit (EV kit) is an assembled and tested PCB that evaluates the MAX9892 IC. The MAX9892 is an audio click-and-pop eliminator IC. The EV kit circuit includes an on-board MAX4338 headphone amplifier, two RCA audio input jacks, and a headphone jack to demonstrate the performance of the MAX9892. The EV kit operates from a 2.7V to 5.5V DC power supply.

The MAX9892 EV kit can also eliminate the audible clicks and pops of an external headphone amplifier connected to the EV kit. When utilizing an external headphone amplifier, the MAX9892 EV kit can operate from a lower input-voltage range of 1.7V to 5.5V DC.

Features

- ◆ 2.7V to 5.5V DC Single-Supply Operation (On-Board Headphone Amplifier)
- ◆ 1.7V to 5.5V DC Single-Supply Operation (External Headphone Amplifier)
- ◆ Proven Audio PCB Layout
- ◆ On-Board MAX4338 Headphone Amplifier
- ◆ RCA Audio Input Jacks
- ◆ Headphone Output Jack
- ◆ PCB Pads for Audio Input and Output Signals
- ◆ Evaluates the MAX9892ERT+ in a 6-Bump UCSP™ (2 x 3 Array) Package
- ◆ Lead(Pb)-Free and RoHS Compliant
- ◆ Fully Assembled and Tested

Ordering Information

PART	TYPE
MAX9892EVKIT+	EV Kit

+Denotes lead(Pb)-free and RoHS compliant.

UCSP is a trademark of Maxim Integrated Products, Inc.

Component List

DESIGNATION	QTY	DESCRIPTION
C1	1	0.1 μ F \pm 10%, 10V X5R ceramic capacitor (0603) Murata GRM188R61E104K
C2	1	560pF \pm 5%, 50V C0G ceramic capacitor (0603) Murata GRM1885C1H561J
C3	1	1 μ F \pm 10%, 6.3V X5R ceramic capacitor (0402) Murata GRM155R60J105K
C4	1	0.1 μ F \pm 10%, 6.3V X5R ceramic capacitor (0402) Murata GRM155R60J104K
C5, C6	2	0.47 μ F \pm 10%, 6.3V X5R ceramic capacitors (0402) Murata GRM155R60J474K
C7, C8	2	100pF \pm 5%, 50V C0G ceramic capacitors (0402) Murata GRM1555C1H101J
C9, C10, C11	3	220 μ F \pm 20%, 6.3V tantalum capacitors (C case) AVX TPSC227M006R0125
GND, INL, INR	0	Not installed, test points
HPOUT	1	3.5mm stereo headphone jack (SMT, 3 position, non switch)

DESIGNATION	QTY	DESCRIPTION
JU1, JU4	2	3-pin headers
JU2, JU3, JU5	3	2-pin headers
LIN	1	RCA phono jack, white (side entry, PCB mount)
RIN	1	RCA phono jack, red (side entry, PCB mount)
R1	1	100k Ω \pm 5% resistor (0603)
R2	1	180k Ω \pm 5% resistor (0603)
R3–R7	5	100k Ω \pm 5% resistors (0402)
R8, R9	2	22.1k Ω \pm 1% resistors (0402)
R10, R11	2	47.5k Ω \pm 1% resistors (0402)
R12, R13	2	30 Ω \pm 5% resistors (0603)
R14, R15	0	Not installed, resistors (0603)
U1	1	Audio click-and-pop eliminator (6 UCSP) Maxim MAX9892ERT+T (Top Mark: AAE)
U2	1	Headphone amplifier (10 μ MAX®) Maxim MAX4338EUB+
—	5	Shunts (JU1–JU5)
—	1	PCB: MAX9892 Evaluation Kit+

μ MAX is a registered trademark of Maxim Integrated Products, Inc.



MAX9892 Evaluation Kit

Component Suppliers

SUPPLIER	PHONE	WEBSITE
AVX Corporation	843-946-0238	www.avxcorp.com
Murata Electronics North America, Inc.	770-436-1300	www.murata-northamerica.com

Note: Indicate that you are using the MAX9892 when contacting these component suppliers.

Quick Start

Required Equipment

Before beginning, the following equipment is needed:

- MAX9892 EV kit
- 2.7V to 5.5V, 100mA DC power supply
- One stereo audio source
- One pair of headphones

Procedure

The MAX9892 EV kit is fully assembled and tested. Follow the steps below to verify board operation.

Caution: Do not turn on the power supply until all connections are completed.

- 1) Verify that a shunt is installed on pins 1-2 of jumper JU1. This configures the EV kit to accept power for both the MAX9892 and the on-board MAX4338 headphone amplifier.
- 2) Verify that shunts are installed on jumpers JU2 and JU3. This configures the MAX9892 to accept the on-board MAX4338 headphone amplifier outputs.
- 3) Verify that a shunt is installed on pins 1-2 of jumper JU4. This connects the MAX9892's MUTE pin to the MAX4338 SHDN1 and SHDN2 pins.
- 4) Verify that a shunt is not installed on jumper JU5. This enables the on-board MAX4338 headphone amplifier outputs.
- 5) Connect the audio source outputs to the LIN and RIN RCA jacks.
- 6) Connect the headphone to the HPOUT headphone jack.
- 7) Connect the power supply across the VCC and GND PCB pads.
- 8) Turn on the audio source. Turn on the power supply and set the supply voltage to 5V.

- 9) Verify that audible click or pop sounds are not detected while removing and reinstalling the shunt on jumper JU5.

Detailed Description of Hardware

The MAX9892 EV kit evaluates the MAX9892 IC, an audio click-and-pop eliminator in a 6-bump UCSP package. The MAX9892 provides low-impedance paths to ground for headphone amplifier outputs during start-up and shutdown to eliminate audible clicks and pops.

The EV kit features an on-board MAX4338 headphone amplifier, two RCA audio input jacks, and a headphone jack to demonstrate the performance of the MAX9892. When utilizing the on-board headphone amplifier, the EV kit operates from a 2.7V to 5.5V DC power supply connected to the VCC and GND pads.

The MAX9892 also eliminates audible click-and-pop sounds from an external headphone amplifier connected to the EV kit. To eliminate the audible clicks and pops from an external headphone amplifier, connect the external headphone amplifier outputs to the HPL, HPR, and GND PCB pads on the EV kit. Connect the external headphone amplifier shutdown signal(s) to the SHDN PCB pad, and the external headphone amplifier ground to the GND pad on the MAX9892 EV kit. See the *Jumper Selection* section to reconfigure jumpers JU1–JU4. The MAX9892 can operate from a lower input-voltage range of 1.7V to 5.5V DC connected between the VDD and GND PCB pads when operating with an external headphone amplifier.

Jumper Selection

The MAX9892 EV kit can be configured to operate with an on-board headphone amplifier or an external headphone amplifier. Use jumpers JU1–JU4 to select between on-board or external headphone amplifier operation for the MAX9892 EV kit.

MAX9892 EV Kit Power Supply (VCC/VDD)

When operating with the on-board headphone amplifier, the EV kit requires a single DC power supply with an input-voltage range between 2.7V and 5.5V connected between the VCC and GND pads. When operating with an external headphone amplifier, the MAX9892 EV kit can operate at a lower input-voltage range of 1.7V to 5.5V connected between the VDD and GND pads. Jumper JU1 configures the input power supply for the MAX9892 EV kit. Table 1 lists the selectable jumper options for JU1.

MAX9892 Evaluation Kit

Evaluates: MAX9892

Table 1. JU1 Jumper Selection (VCC/VDD)

SHUNT POSITION	POWER SUPPLY CONNECTED TO	HEADPHONE AMPLIFIER
1-2*	VCC PCB pad (VCC = 2.7V to 5.5V DC)	On-board**
2-3	VDD PCB pad (VDD = 1.7V to 5.5V DC)	External
Not installed	Unconnected	MAX9892 EV kit (not powered)

*Default position.

**MAX4338 limits the lower input range to 2.7V.

Headphone Amplifier Outputs (HPL, HPR)

When operating with the on-board headphone amplifier, the MAX9892 IC receives the headphone output signal from the on-board headphone amplifier. When operating with an external headphone amplifier, the MAX9892 IC receives the external headphone amplifier output signal connected to the HPL, HPR, and GND PCB pads on the MAX9892 EV kit.

Jumpers JU2 and JU3 provide an option to select between the on-board or external headphone amplifier outputs for the MAX9892 EV kit. Table 2 lists the selectable jumper options for JU2 and JU3.

Table 2. JU2, JU3 Jumpers Function (HPL, HPR)

SHUNT POSITION	HEADPHONE AMPLIFIER OUTPUTS
Installed*	On-board headphone amplifier (MAX4338)
Not installed	External headphone amplifier (connected to HPL, HPR, and GND PCB pads)

*Default position.

Mute and Shutdown Inputs ($\overline{\text{MUTE}}$, $\overline{\text{SHDN1}}$, $\overline{\text{SHDN2}}$, and $\overline{\text{SHDN}}$)

When operating with the on-board headphone amplifier, connect the MAX9892 $\overline{\text{MUTE}}$ pin to the $\overline{\text{SHDN1}}$ and $\overline{\text{SHDN2}}$ pins of the on-board MAX4338 headphone amplifier. When operating with an external headphone amplifier, connect the MAX9892 $\overline{\text{MUTE}}$ pin to the $\overline{\text{SHDN}}$ PCB pad on the MAX9892 EV kit. After the desired shutdown signal is properly connected to the MAX9892 $\overline{\text{MUTE}}$ pin, use the MAX9892 $\overline{\text{MUTE}}$ pin to start up or shut down the headphone amplifier to demonstrate the performance of the MAX9892 IC.

Jumper JU4 selects between the on-board or external headphone amplifier shutdown input for the MAX9892 EV kit. Jumper JU5 pulls the MAX9892 $\overline{\text{MUTE}}$ pin to ground to initiate shutdown for the headphone amplifier selected by jumper JU4. Table 3 lists the jumper options for JU4 and JU5.

Table 3. JU4, JU5 Jumpers Function ($\overline{\text{MUTE}}$)

SHUNT POSITION		MAX9892 $\overline{\text{MUTE}}$ PIN CONNECTED TO	HEADPHONE AMPLIFIER OUTPUTS
JU4	JU5		
1-2*	Not installed*	MAX4338 shutdown pins and VCC through resistor R5	Enabled (on-board)
	Installed	MAX4338 shutdown pins and GND	Disabled (on-board)
2-3	Not installed	$\overline{\text{SHDN}}$ PCB pad and external pulled up	Enabled (external)
	Installed	$\overline{\text{SHDN}}$ PCB pad and GND	Disabled (external)

*Default position.

MAX9892 Evaluation Kit

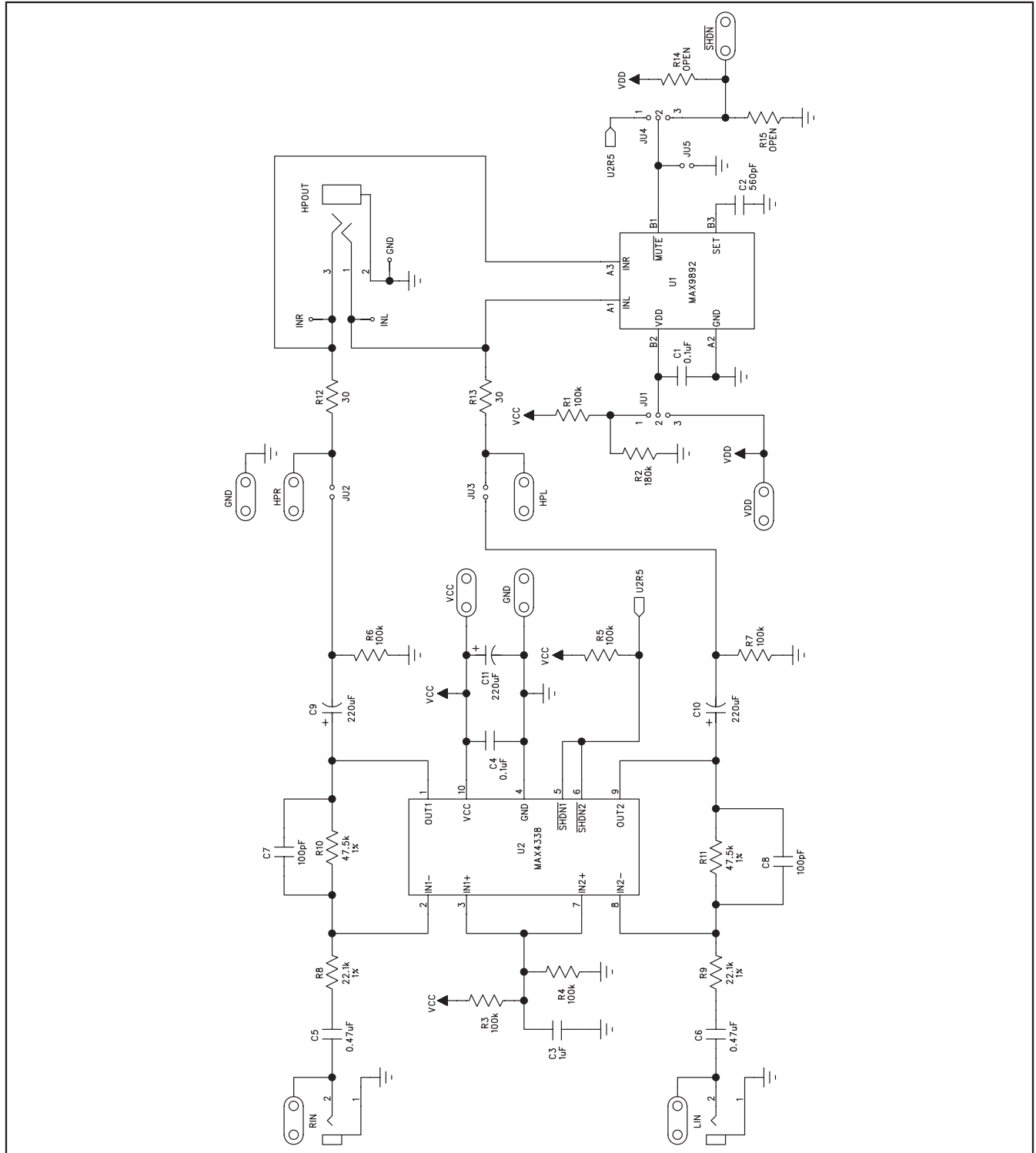


Figure 1. MAX9892 EV Kit Schematic

MAX9892 Evaluation Kit

Evaluates: MAX9892

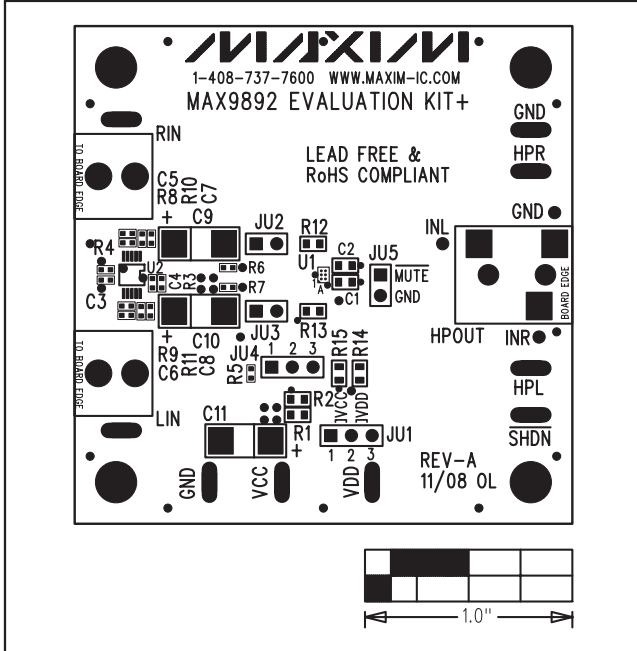


Figure 2. MAX9892 EV Kit Component Placement Guide—Component Side

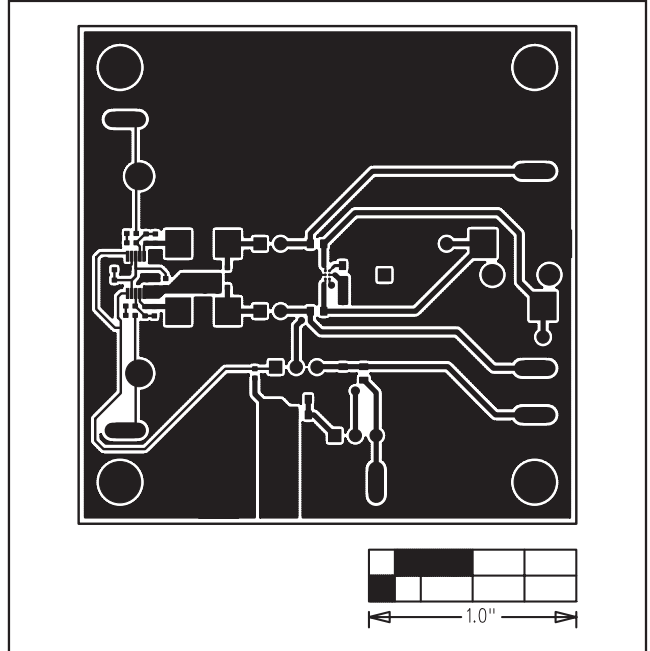


Figure 3. MAX9892 EV Kit PCB Layout—Component Side

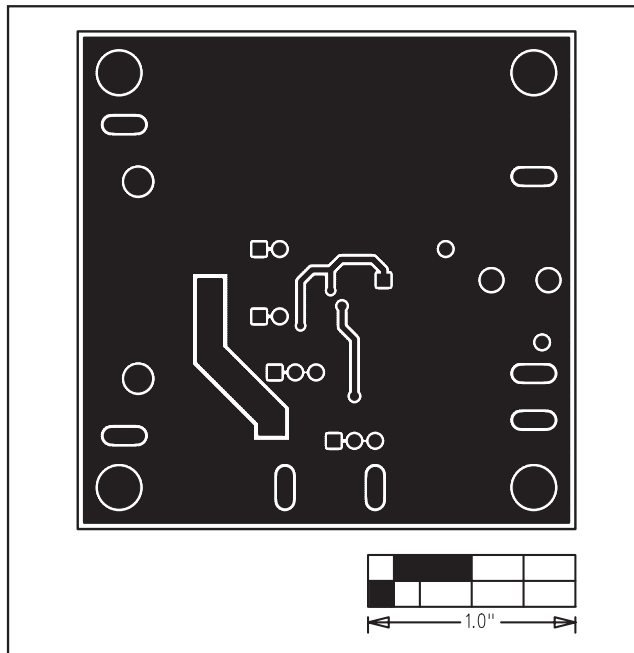


Figure 4. MAX9892 EV Kit PCB Layout—Solder Side

Maxim cannot assume responsibility for use of any circuitry other than circuitry entirely embodied in a Maxim product. No circuit patent licenses are implied. Maxim reserves the right to change the circuitry and specifications without notice at any time.

Maxim Integrated Products, 120 San Gabriel Drive, Sunnyvale, CA 94086 408-737-7600 _____ 5



Компания «ЭлектроПласт» предлагает заключение долгосрочных отношений при поставках импортных электронных компонентов на взаимовыгодных условиях!

Наши преимущества:

- Оперативные поставки широкого спектра электронных компонентов отечественного и импортного производства напрямую от производителей и с крупнейших мировых складов;
- Поставка более 17-ти миллионов наименований электронных компонентов;
- Поставка сложных, дефицитных, либо снятых с производства позиций;
- Оперативные сроки поставки под заказ (от 5 рабочих дней);
- Экспресс доставка в любую точку России;
- Техническая поддержка проекта, помощь в подборе аналогов, поставка прототипов;
- Система менеджмента качества сертифицирована по Международному стандарту ISO 9001;
- Лицензия ФСБ на осуществление работ с использованием сведений, составляющих государственную тайну;
- Поставка специализированных компонентов (Xilinx, Altera, Analog Devices, Intersil, Interpoint, Microsemi, Aeroflex, Peregrine, Syfer, Eurofarad, Texas Instrument, Miteq, Cobham, E2V, MA-COM, Hittite, Mini-Circuits, General Dynamics и др.);

Помимо этого, одним из направлений компании «ЭлектроПласт» является направление «Источники питания». Мы предлагаем Вам помощь Конструкторского отдела:

- Подбор оптимального решения, техническое обоснование при выборе компонента;
- Подбор аналогов;
- Консультации по применению компонента;
- Поставка образцов и прототипов;
- Техническая поддержка проекта;
- Защита от снятия компонента с производства.



Как с нами связаться

Телефон: 8 (812) 309 58 32 (многоканальный)

Факс: 8 (812) 320-02-42

Электронная почта: org@eplast1.ru

Адрес: 198099, г. Санкт-Петербург, ул. Калинина, дом 2, корпус 4, литера А.