

NHD-320240WG-BxTFH-VZ#

Graphic Liquid Crystal Display Module

NHD-	Newhaven Display
320240-	320 x 240 pixels
WG-	Display Type: Graphic
Bx-	Model
T-	White LED Backlight
F-	FSTN (+)
H-	Transflective, 6:00 view, Wide Temperature (-20°C ~+70°C)
VZ#-	Built-in Negative Voltage
	RoHS Compliant

Newhaven Display International, Inc.

2511 Technology Drive, Suite 101

Elgin IL, 60124

Ph: 847-844-8795

Fax: 847-844-8796

www.newhavendisplay.com

nhtech@newhavendisplay.com

nhsales@newhavendisplay.com

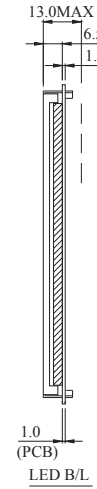
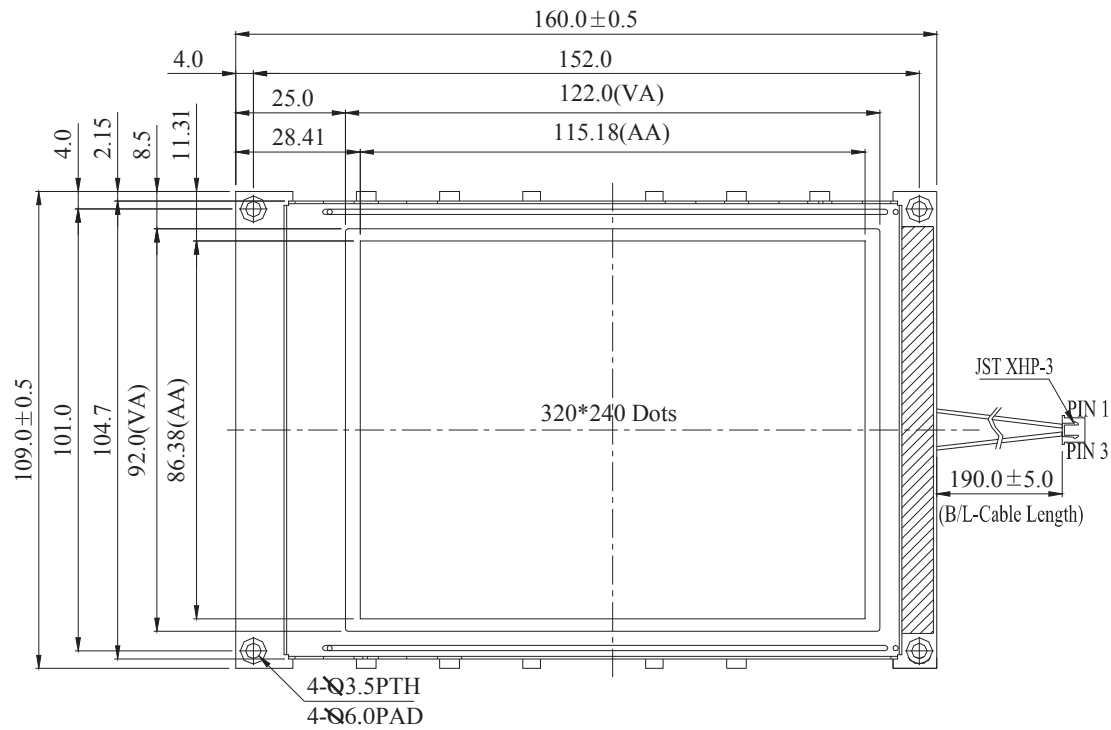
Document Revision History

Revision	Date	Description	Changed by
0	6/7/2007	Initial Release	-
1	4/20/2010	User guide reformat	MC
2	9/22/2011	Electrical characteristics updated	AK

Functions and Features

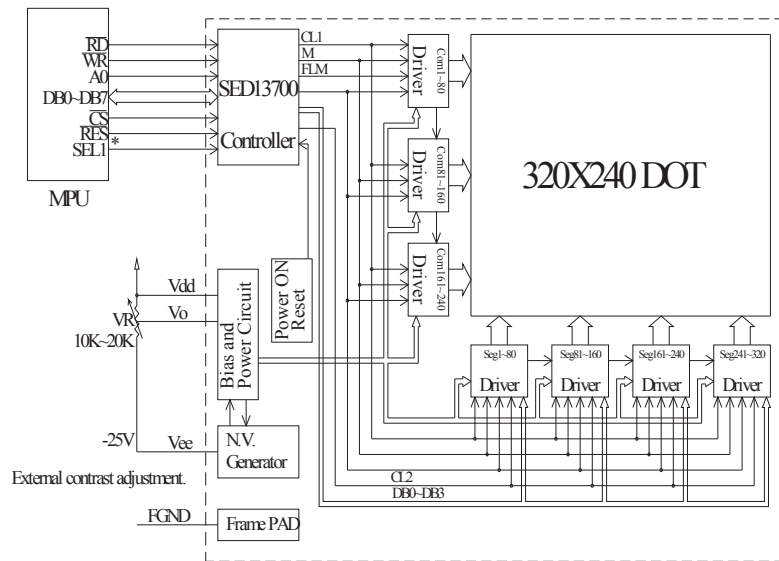
- 320 x 240 pixels
- Built-in S1D13700 Controller
- +5.0V or +3.3V power supply
- RoHS Compliant

Mechanical Drawing

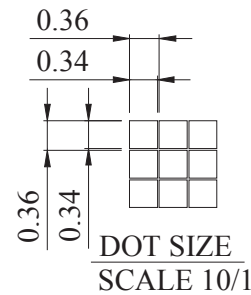


The non-specified tolerance of dimension is ±0.3mm.

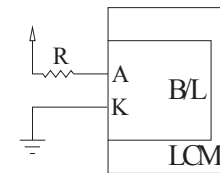
PIN NO.	SYMBOL
1	VSS
2	VDD
3	Vo
4	A0
5	R/W
6	E
7	DB0
8	DB1
9	DB2
10	DB3
11	DB4
12	DB5
13	DB6
14	DB7
15	/CS
16	/RST
17	Vee
18	NC
19	FG
20	NC



*:6800 family or 8080family interface selectable.



LED B/L drive directly from A and K.



Newhaven Display

NHD-320240WG-BxTFH-VZ#

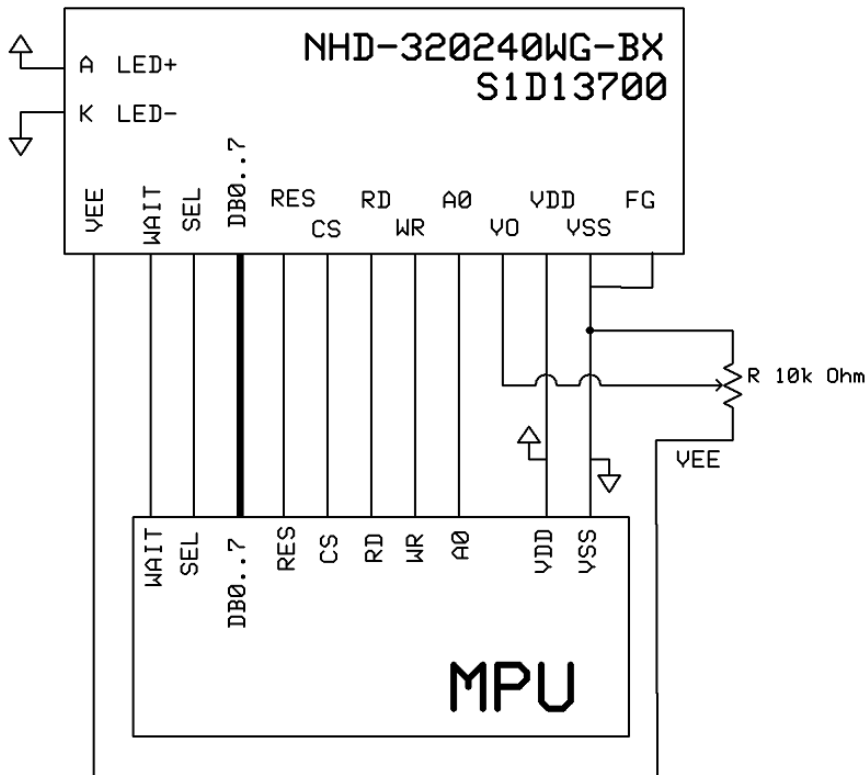
Pin Description and Wiring Diagram

Pin No.	Symbol	External Connection	Function Description
1	VSS	Power Supply	Ground
2	VDD	Power Supply	Power supply for logic (+5.0V)
3	V0	Adj Power Supply	Power supply for contrast (approx. -18.8V)
4	A0	MPU	Register select signal. A0=0: Command, A0=1: Data
5	R/W	MPU	Read/Write select signal, R/W=1: Read R/W: =0: Write
6	E	MPU	Operation enable signal. Falling edge triggered.
7-14	DB0-DB7	MPU	Bi-directional three-state data bus lines.
15	/CS	MPU	Active LOW chip select
16	/RST	MPU	Active LOW reset signal
17	VEE	Power Supply	Negative voltage output (-25V)
18	NC	-	No Connect
19	FG	-	No Connect
20	NC	-	No Connect

Recommended LCD connector: 1.0mm pitch, 20-pos FFC connector

Backlight connector: JST p/n: XHP-3

Mates with: JST p/n: B 3B-XH-A



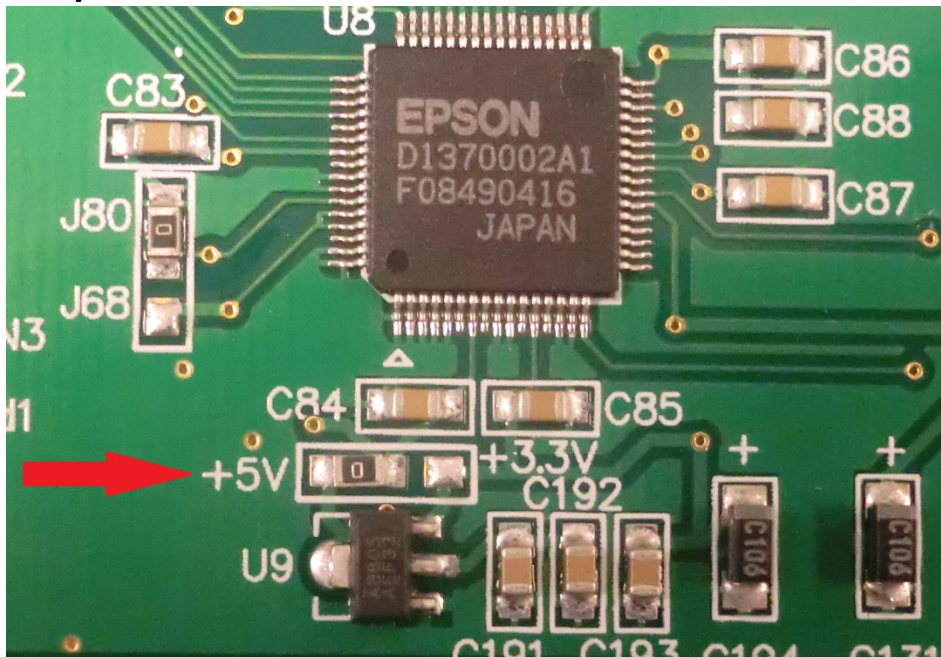
Electrical Characteristics

Item	Symbol	Condition	Min.	Typ.	Max.	Unit
Operating Temperature Range	Top	Absolute Max	-20	-	+70	°C
Storage Temperature Range	Tst	Absolute Max	-30	-	+80	°C
Supply Voltage	VDD		3.3	5.0	5.25	V
Supply Current	IDD	Ta=25°C, VDD=5.0V	65.0	75.0	85.0	mA
Supply for LCD (contrast)	VDD-VLCD	Ta=25°C	22.0	23.8	26.1	V
"H" Level input	VIH		0.5VDD	-	VDD	V
"L" Level input	VIL	-	0	-	0.2VDD	V
"H" Level output	VOH	-	-0.4VDD	-	-	V
"L" Level output	VOL	-	-	-	0.4	V
Backlight Supply Voltage	VLED		3.4	3.5	3.6	V
Backlight Supply Current	ILED	VLED=3.5V	140	160	180	mA
Backlight Lifetime		ILED=160mA	-	50,000	-	Hrs

Optical Characteristics

Item	Symbol	Condition	Min.	Typ.	Max.	Unit
Viewing Angle - Vertical	AV	Cr ≥ 2	-30	-	60	°
Viewing Angle - Horizontal	AH	Cr ≥ 2	-45	-	45	°
Contrast Ratio	Cr		-	5	-	-
Response Time (rise)	Tr	-	-	200	300	ms
Response Time (fall)	Tf	-	-	150	200	ms

Jumper Selection



Controller Information

Built-in S1D13700. Download specification at http://www.newhavendisplay.com/app_notes/S1D13700.pdf

Table of Commands

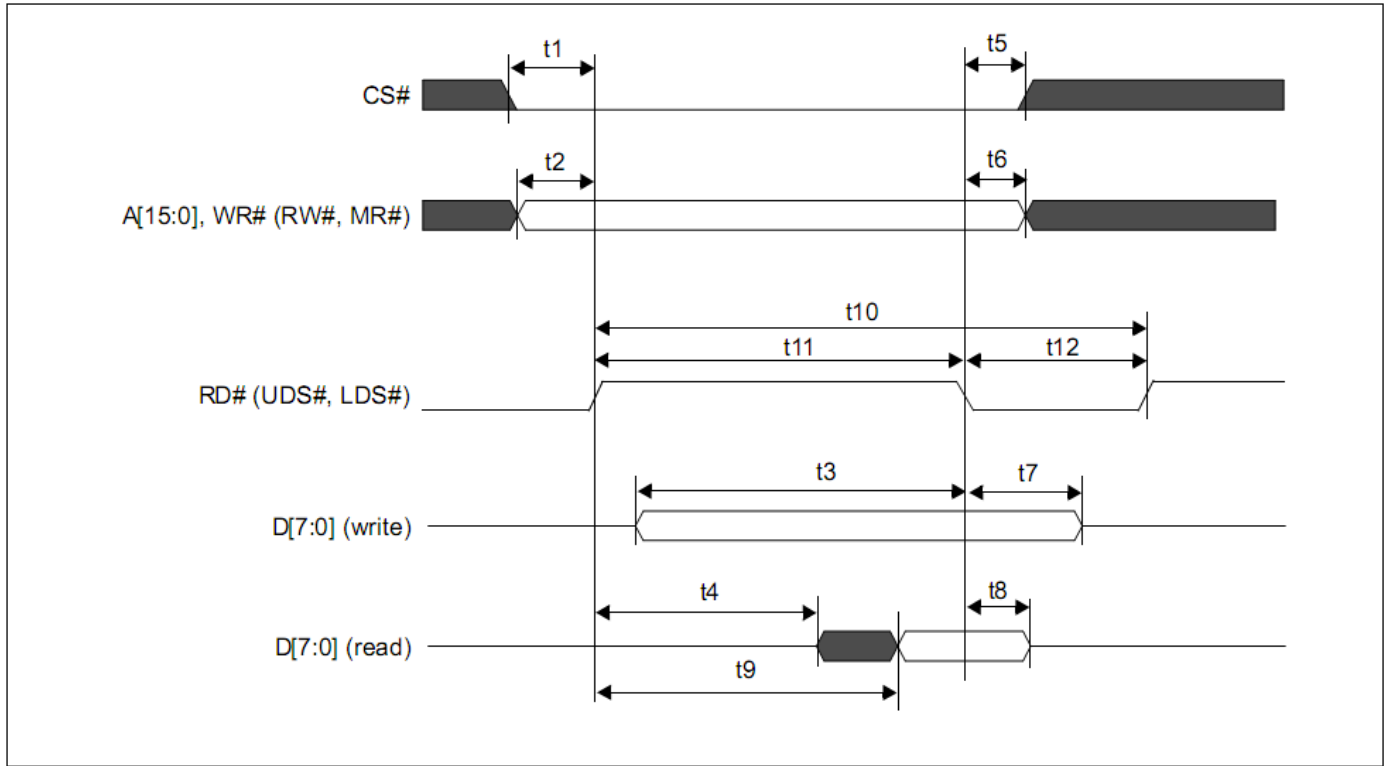
REG[01h] Horizontal Character Size Register							
Address = 8001h Default = 00h							Read/Write
MOD	n/a			Horizontal Character Size bits 3-0			
7	6	5	4	3	2	1	0
REG[02h] Vertical Character Size Register							
Address = 8002h Default = 00h							Read/Write
n/a			Vertical Character Size bits 3-0				
7	6	5	4	3	2	1	0
REG[03h] Character Bytes Per Row Register							
Address = 8003h Default = 00h							Read/Write
Character Bytes Per Row bits 7-0							
7	6	5	4	3	2	1	0
REG[04h] Total Character Bytes Per Row Register							
Address = 8004h Default = 00h							Read/Write
Total Character Bytes Per Row bits 7-0							
7	6	5	4	3	2	1	0
REG[05h] Frame Height Register							
Address = 8005h Default = 00h							Read/Write
Frame Height bits 7-0							
7	6	5	4	3	2	1	0
REG[06h] Horizontal Address Range Register 0							
Address = 8006h Default = 00h							Read/Write
Horizontal Address Range bits 7-0							
7	6	5	4	3	2	1	0
REG[07h] Horizontal Address Range Register 1							
Address = 8007h Default = 00h							Read/Write
Horizontal Address Range bits 15-8							
7	6	5	4	3	2	1	0
REG[08h] Power Save Mode Register							
Address = 8008h Default = 01h							Read/Write
n/a						Power Save Mode Enable	
7	6	5	4	3	2	1	0
REG[09h] Display Enable Register							
Address = 8009h Default = 00h							Read/Write
n/a						Display Enable	
7	6	5	4	3	2	1	0
REG[0Ah] Display Attribute Register							
Address = 800Ah Default = 00h							Read/Write
SAD3 Attribute bits 1-0		SAD2 Attribute bits 1-0		SAD1 Attribute bits 1-0		Cursor Attribute bits 1-0	
7	6	5	4	3	2	1	0
REG[0Bh] Screen Block 1 Start Address Register 0							
Address = 800Bh Default = 00h							Read/Write
Screen Block 1 Start Address bits 7-0 (LSB)							
7	6	5	4	3	2	1	0
REG[0Ch] Screen Block 1 Start Address Register 1							
Address = 800Ch Default = 00h							Read/Write
Screen Block 1 Start Address bits 15-8 (MSB)							
7	6	5	4	3	2	1	0
REG[0Dh] Screen Block 1 Size Register							
Address = 800Dh Default = 00h							Read/Write
Screen Block 1 Size bits 7-0							
7	6	5	4	3	2	1	0

REG[0Eh] Screen Block 2 Start Address Register 0								Read/Write
Address = 800Eh Default = 00h								
Screen Block 2 Start Address bits 7-0 (LSB)								
7	6	5	4	3	2	1	0	
REG[0Fh] Screen Block 2 Start Address Register 1								Read/Write
Address = 800Fh Default = 00h								
Screen Block 2 Start Address bits 15-8 (MSB)								
7	6	5	4	3	2	1	0	
REG[10h] Screen Block 2 Size Register								Read/Write
Address = 8010h Default = 00h								
Screen Block 2 Size bits 7-0								
7	6	5	4	3	2	1	0	
REG[11h] Screen Block 3 Start Address Register 0								Read/Write
Address = 8011h Default = 00h								
Screen Block 3 Start Address bits 7-0 (LSB)								
7	6	5	4	3	2	1	0	
REG[12h] Screen Block 3 Start Address Register 1								Read/Write
Address = 8012h Default = 00h								
Screen Block 3 Start Address bits 15-8 (MSB)								
7	6	5	4	3	2	1	0	
REG[13h] Screen Block 4 Start Address Register 0								Read/Write
Address = 8013h Default = 00h								
Screen Block 4 Start Address bits 7-0 (LSB)								
7	6	5	4	3	2	1	0	
REG[14h] Screen Block 4 Start Address Register 1								Read/Write
Address = 8014h Default = 00h								
Screen Block 4 Start Address bits 15-8 (MSB)								
7	6	5	4	3	2	1	0	
REG[15h] Cursor Width Register								Read/Write
Address = 8015h Default = 00h								
n/a				Cursor Width bits 3-0				
7	6	5	4	3	2	1	0	
REG[16h] Cursor Height Register								Read/Write
Address = 8016h Default = 00h								
Cursor Mode	n/a			Cursor Height bits 3-0				
7	6	5	4	3	2	1	0	
REG[17h] Cursor Shift Direction Register								Read/Write
Address = 8017h Default = 00h								
n/a					Cursor Shift Direction bits 1-0			
7	6	5	4	3	2	1	0	
REG[18h] Overlay Register								Read/Write
Address = 8018h Default = 00h								
n/a			3 Layer Overlay Select	Screen Block 3 Display Mode	Screen Block 1 Display Mode	Layer Composition Method bits 1-0		
7	6	5	4	3	2	1	0	
REG[19h] Character Generator RAM Start Address Register 0								Read/Write
Address = 8019h Default = 00h								
CGRAM Start Address bits 7-0 (LSB)								
7	6	5	4	3	2	1	0	
REG[1Ah] Character Generator RAM Start Address Register 1								Read/Write
Address = 801Ah Default = 00h								
CGRAM Start Address bits 15-8 (MSB)								
7	6	5	4	3	2	1	0	
REG[1Bh] Horizontal Pixel Scroll Register								Read/Write
Address = 801Bh Default = 00h								
n/a				Horizontal Pixel Scroll bits 2-0				
7	6	5	4	3	2	1	0	

REG[1Ch] Cursor Write Register 0								Write Only
Address = 801Ch Default = 00h								
Cursor Write bits 7-0 (LSB)								
7	6	5	4	3	2	1	0	
REG[1Dh] Cursor Write Register 1								Write Only
Address = 801Dh Default = 00h								
Cursor Write bits 15-8 (MSB)								
7	6	5	4	3	2	1	0	
REG[1Eh] Cursor Read Register 0								Read Only
Address = 801Eh Default = 00h								
Cursor Read bits 7-0 (LSB)								
7	6	5	4	3	2	1	0	
REG[1Fh] Cursor Read Register 1								Read Only
Address = 801Fh Default = 00h								
Cursor Read bits 15-8 (MSB)								
7	6	5	4	3	2	1	0	
REG[20h] Bit-Per-Pixel Select Register								Read/Write
Address = 8020h Default = 00h								
n/a						Bit-Per-Pixel Select bits 1-0		
7	6	5	4	3	2	1	0	

Timing Characteristics

7.3.5 M6800 Family Bus Indirect Interface Timing



Symbol	Parameter	3.3 Volt		5.0 Volt		Units
		Min	Max	Min	Max	
t1	CS# setup time	5	—	5	—	ns
t2	A[15:0] setup time	5	—	5	—	ns
t3	D[7:0] setup time to RD# falling edge (write cycle)	Note 2	—	Note 2	—	ns
t4	RD# rising edge to D[7:0] driven (read cycle)	3	—	3	—	ns
t5	CS# hold time	7	—	7	—	ns
t6	A[15:0] hold time	7	—	7	—	ns
t7	D[7:0] hold time from RD# falling edge (write cycle)	5	—	5	—	ns
t8	D[7:0] hold time from RD# falling edge (read cycle)	2	55	2	55	ns
t9	RD# rising edge to valid Data	—	Note 3	—	Note 3	ns
t10	RD# cycle time	Note 4	—	Note 4	—	ns
t11	RD# pulse active time	5	—	5	—	Ts
t12	RD# pulse inactive time	Note 5	—	Note 5	—	ns

Example Initialization Program:

```
//-----  
Sub Writecom  
  Set P3.0                                'A0 = H = Write command  
  P1 = A                                  'move data to P1  
  Reset P3.1                              'chip select  
  Reset P3.7                              'R/W  
  Set P3.4                                 'E  
  Reset P3.4                              'E  
  Set P3.7                                 'R/W  
  Set P3.1                                 'CS  
End Sub  
  
Sub Writedata  
  Reset P3.0                                'A0 = L = Write data  
  P1 = A  
  Reset P3.1  
  Reset P3.7  
  Set P3.4  
  Reset P3.4  
  Set P3.7  
  Set P3.1  
End Sub  
//-----  
Sub Init  
  Set P3.2                                'SEL=1 = Motorola 6800 write  
interface  
  Reset P3.6                              'RESET  
  Waitms 10                               'wait  
  Set P3.6                                 'RESET done  
  Waitms 100                              'wait  
  A = &H40                                 'system set command  
  Call Writecom  
  A = &H30                                 'set parameters  
  Call Writedata  
  A = &H87                                 'horizontal character size=8  
  Call Writedata  
  A = &H07                                 'vertical character size=8  
  Call Writedata  
  A = &H27                                 'display addresses per line  
  Call Writedata  
  A = &H50                                 'total address range per line  
  Call Writedata  
  A = &HEF                                 '240 display lines  
  Call Writedata  
  A = &H28                                 'virtual address1  
  Call Writedata  
  A = &H00                                 'virtual address2  
  Call Writedata  
  A = &H44                                 'scroll  
  Call Writecom  
  A = &H00                                 'start address1  
  Call Writedata  
  A = &H00                                 'start address2  
  Call Writedata  
  A = &HEF                                 '240 lines  
  Call Writedata  
  A = &HB0                                 '2nd screen start1  
  Call Writedata  
  A = &H04                                 '2nd screen start2  
  Call Writedata  
  A = &HEF                                 '2nd screen 240 lines  
  Call Writedata  
  A = &H00                                 '3rd screen address1  
  Call Writedata  
  A = &H00                                 '3rd screen address2  
  Call Writedata
```

```

A = &H00                                '4th screen address1
Call Writedata
A = &H00                                '4th screen address2
Call Writedata
A = &H5A                                'hdot scr
Call Writecom
A = &H00                                'horizontal pixel shift=0
Call Writedata
A = &H5B                                'overlay
Call Writecom
A = &H00                                'OR
Call Writedata
A = &H5D                                'cursor form
Call Writecom
A = &H04                                '5 pixels
Call Writedata
A = &H86                                'by 7 pixels
Call Writedata
A = &H4C                                'cursor direction = right
Call Writecom

Call Clr                                'clear the screen

A = &H59                                'disp on/off
Call Writecom
A = &H14                                'on
Call Writedata
End Sub
//-----

```

Quality Information

Test Item	Content of Test	Test Condition	Note
High Temperature storage	Endurance test applying the high storage temperature for a long time.	+80°C , 200hrs	2
Low Temperature storage	Endurance test applying the low storage temperature for a long time.	-30°C , 200hrs	1,2
High Temperature Operation	Endurance test applying the electric stress (voltage & current) and the high thermal stress for a long time.	+70°C 200hrs	2
Low Temperature Operation	Endurance test applying the electric stress (voltage & current) and the low thermal stress for a long time.	-20°C , 200hrs	1,2
High Temperature / Humidity Operation	Endurance test applying the electric stress (voltage & current) and the high thermal with high humidity stress for a long time.	+60°C , 90% RH , 96hrs	1,2
Thermal Shock resistance	Endurance test applying the electric stress (voltage & current) during a cycle of low and high thermal stress.	-20°C,30min -> 25°C,5min -> 70°C,30min = 1 cycle 10 cycles	
Vibration test	Endurance test applying vibration to simulate transportation and use.	10-55Hz , 15mm amplitude. 60 sec in each of 3 directions X,Y,Z For 15 minutes	3
Static electricity test	Endurance test applying electric static discharge.	VS=800V, RS=1.5kΩ, CS=100pF One time	

Note 1: No condensation to be observed.

Note 2: Conducted after 4 hours of storage at 25°C, 0%RH.

Note 3: Test performed on product itself, not inside a container.

Precautions for using LCDs/LCMs

See Precautions at www.newhavendisplay.com/specs/precautions.pdf

Warranty Information and Terms & Conditions

http://www.newhavendisplay.com/index.php?main_page=terms



Компания «ЭлектроПласт» предлагает заключение долгосрочных отношений при поставках импортных электронных компонентов на взаимовыгодных условиях!

Наши преимущества:

- Оперативные поставки широкого спектра электронных компонентов отечественного и импортного производства напрямую от производителей и с крупнейших мировых складов;
- Поставка более 17-ти миллионов наименований электронных компонентов;
- Поставка сложных, дефицитных, либо снятых с производства позиций;
- Оперативные сроки поставки под заказ (от 5 рабочих дней);
- Экспресс доставка в любую точку России;
- Техническая поддержка проекта, помощь в подборе аналогов, поставка прототипов;
- Система менеджмента качества сертифицирована по Международному стандарту ISO 9001;
- Лицензия ФСБ на осуществление работ с использованием сведений, составляющих государственную тайну;
- Поставка специализированных компонентов (Xilinx, Altera, Analog Devices, Intersil, Interpoint, Microsemi, Aeroflex, Peregrine, Syfer, Eurofarad, Texas Instrument, Miteq, Cobham, E2V, MA-COM, Hittite, Mini-Circuits, General Dynamics и др.);

Помимо этого, одним из направлений компании «ЭлектроПласт» является направление «Источники питания». Мы предлагаем Вам помощь Конструкторского отдела:

- Подбор оптимального решения, техническое обоснование при выборе компонента;
- Подбор аналогов;
- Консультации по применению компонента;
- Поставка образцов и прототипов;
- Техническая поддержка проекта;
- Защита от снятия компонента с производства.



Как с нами связаться

Телефон: 8 (812) 309 58 32 (многоканальный)

Факс: 8 (812) 320-02-42

Электронная почта: org@eplast1.ru

Адрес: 198099, г. Санкт-Петербург, ул. Калинина, дом 2, корпус 4, литера А.