

Ruggedized Reverse Bayonet Connectors

Dynamic IP68 / IP69K
Up to 500 hr salt spray
VG95234 intermountable

UTV SERIES

Completely *new*
intermountable with
VG 95234 :
the MS 5015 reverse
bayonet connectors

Description

This connector series is an enhanced version of the VG 95234 connector standard but remains completely intermountable with VG 95234 : the MS 5015 reverse bayonet connectors.



Features and benefits (see also page 3)

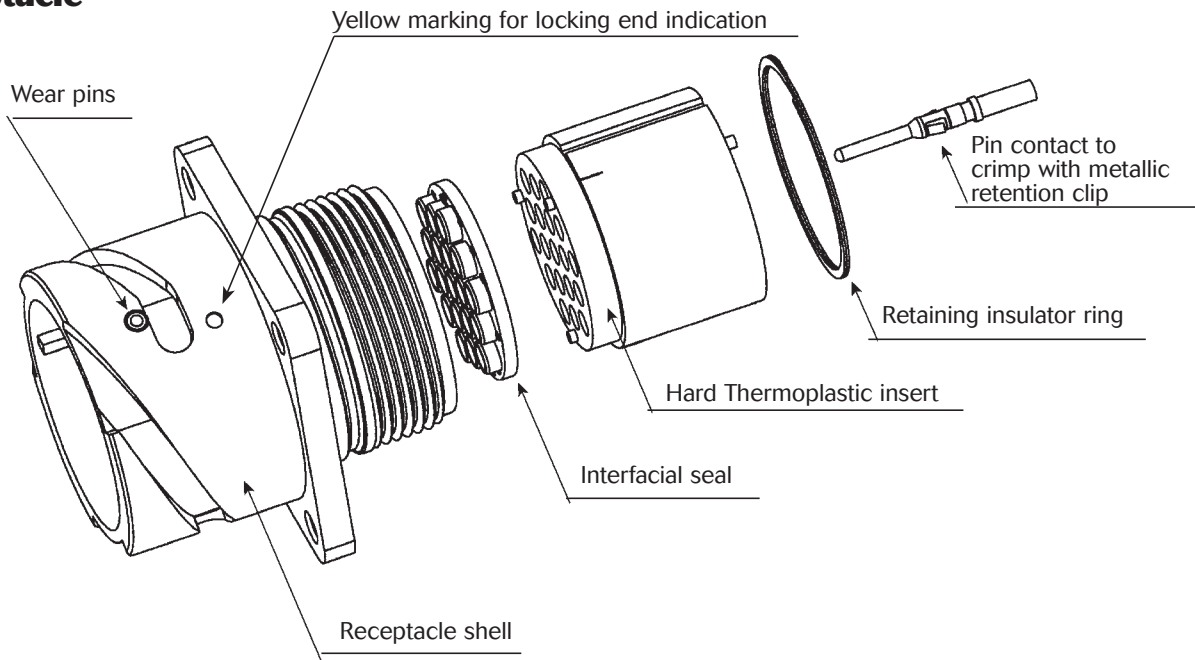
- An interfacial seal is present on the male inserts to extend the creepage distance and to have a better sealing when the connector is mated.
- The insulator is retained into the plug or receptacle shell by a metallic retaining ring which can be removed with a small screwdriver. Once removed, user can defined insulator orientation.
- Contacts gauge 8, 12 or 16 are machined crimp contacts, removable thanks to a clip on the contact.
- No tools are needed to insert contacts into the insulator. An extraction tool is available to extract the contacts. The tool is engaged by the front face of the connector and the contacts are rear released.
- Contacts are crimped thanks to very common toolings.
- The connector is rated 2 levels of water protection (see page 3):
Dynamic IP67/IP68/IP69K when mated and used with suitable accessories, a grommet or a sealed back shell.
- This connector can be supplied fully assembled or in component form (please consult us).
- Corrosion spray resistance is rated up to 500 hours salt spray
- Cadmium and lead free materials are used

Ruggedized Reverse Bayonet Connector

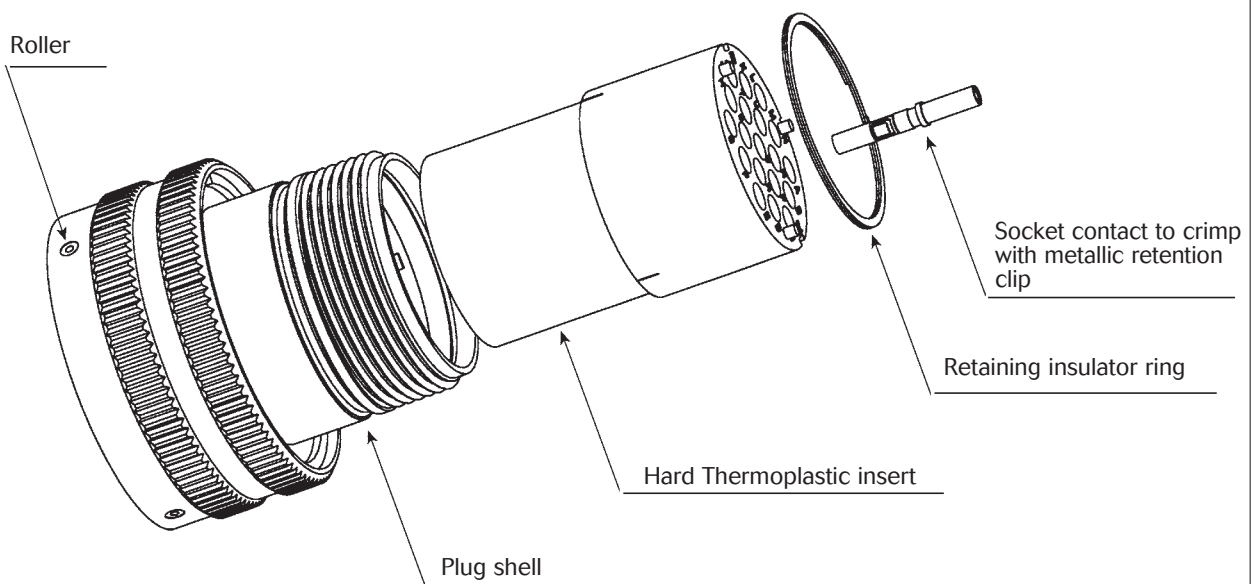


Description

Receptacle



Plug



Ruggedized Reverse Bayonet Connector



Technical Features

Mechanical

- Mechanical endurance : 500 mating and unmating
- Minimum retention force of the contact in the insulator :
 - 70 N for contacts # 16 (1.6 mm)
 - 90 N for contacts # 12 (2.4 mm)
 - 110 N for contacts # 8 (3.6 mm)

Minimum values with a maximum displacement of the contact of 0.3 mm (following NFF 61030)

- Retention of the insulator in the shell : (following MIL-C-26482G Series 2 class L standard)
- Bayonet coupling mechanism - Coupling torque : following VG 95234
- Vibrations : following NFF 61030
 - Sinus vibrations : 10 - 100 Hz
 - Acceleration : 2 g
- Shocks : Acceleration = 30 g
 - Duration = 18 ms following NFF 61030
- Impact strength (free fall of the plug). The connector plug is subjected to a free fall test. The height of drop is 0.75 m. No mechanical damage.

Electrical

- Contact resistance :
 - 2.5 m Ω maxi for contact # 16
 - 1.3 m Ω maxi for contact # 12
 - 0.9 I maxi for contact # 8 following NFF 61030
- Maximum current per contact :
 - 15 Amps for contact # 16
 - 20 Amps for contact # 12
 - 30 Amps for contact # 8
- Withstanding voltage :
 - 2550 Vrms for layouts # 16
 - 3250 Vrms for layouts # 12 and 8
- Insulation resistance :
 - \geq 5000 M Ω under 500 Vcc
 - \geq 4000 M Ω under 220 Vcc
- Electrical continuity of the shells : 20 m Ω maximum
- In mated conditions (interfacial seal is compression) minimum creepage distance = minimum insulation distance in the air :
 - 9 mm minimum for layouts with contacts # 16
 - 12 mm minimum for layouts with contacts # 12 or # 8

Environmental

- Climatic category : -40°C +100°C
 - Dry heat test : +100°C during 96 h
- Corrosion spray resistance : up to 500 hours salt spray
- Damp heat : 21 days, 40°C, 95% relative humidity
- The connector is rated 2 levels of water protection (see page 3): Dynamic IP67/IP68/IP69K when mated and used with suitable accessories, a grommet or a sealed back shell.
- Cadmium and lead free materials are used

Material

- Shell in aluminium alloy with black zinc cobalt plating
- Insulator : hard thermoplastic with glass fiber
- O'ring and interfacial seal in silicone
- Retaining insulator ring in carbon steel

This full product range is qualified by ALSTOM, RATP and SNCF.

Robustness and high reliability of the locking mechanism



Ruggedized Reverse Bayonet Connector



Connectors Ordering Information (without contacts and accessories)

Shells, backshells, contacts and accessories have to be ordered separately

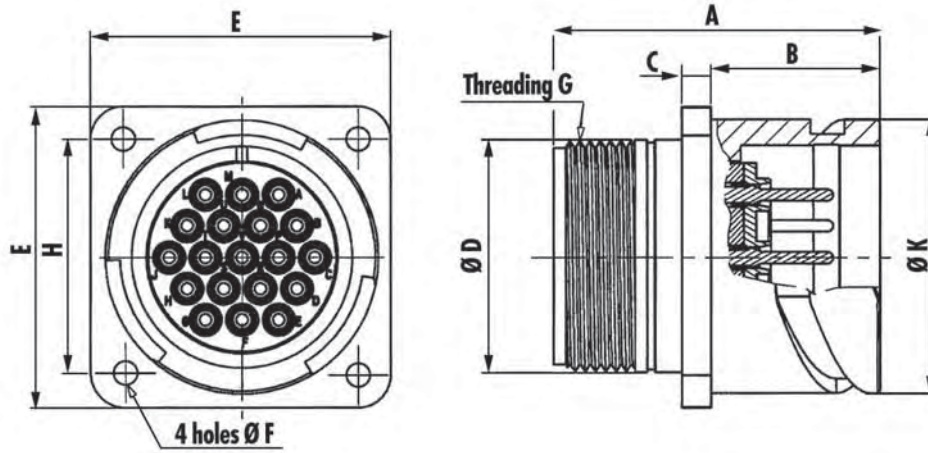
| | | | | | | |
|--|----------|-----------|-------------|----------|----------|-----------|
| UTV | B | 22 | - 14 | P | N | -- |
| Series | | | | | | |
| Shell type | | | | | | |
| Rear mounting receptacle | B | | | | | |
| Plug | D | | | | | |
| Rear mounting receptacle for PC tails contact # 16 contacts mounted | C | | | | | |
| Shell size : 18 - 20 - 22 - 24 - 28 - 32 - 36 - 40 | | | | | | |
| Layouts | | | | | | |
| Contact type : P - Pin S - Socket | | | | | | |
| Insert Orientation : N ; W ; X ; Y ; Z or 0 | | | | | | |
| 0 = for insulator not installed in the shell | | | | | | |
| Modification Code : | | | | | | |
| <i>Please consult us</i> | | | | | | |

Nota : Please consult us if you want to order the connector in component form (shell and insert).

Ruggedized Reverse Bayonet Connector

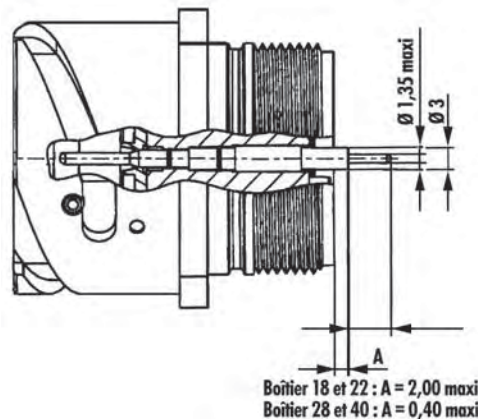


Connector Dimensions Receptacle



| Shell size | A Max | B 0/+0.4 | C ±0.2 | ØD Max | E ±0.3 | ØF 0/+0.15 | Threading G Class 2A | H ±0.1 | ØK -0.15/0 |
|------------|-------|----------|--------|--------|--------|------------|----------------------|--------|------------|
| 18 | 45.50 | 23.05 | 4.00 | 25.50 | 35.00 | 3.25 | 1"x20 UNEF | 27.00 | 30.80 |
| 20 | 45.50 | 23.05 | 4.00 | 28.70 | 38.00 | 3.25 | 1 1/8"x18 UNEF | 29.40 | 34.20 |
| 22 | 45.50 | 23.05 | 4.00 | 31.90 | 41.00 | 3.25 | 1 1/4"x18 UNEF | 31.80 | 37.40 |
| 24 | 48.00 | 23.05 | 4.00 | 35.20 | 44.50 | 3.75 | 1 3/8"x18 UNEF | 34.90 | 40.90 |
| 28 | 48.00 | 24.05 | 4.00 | 41.50 | 50.80 | 3.75 | 1 5/8"x18 UNEF | 39.70 | 46.70 |
| 32 | 48.00 | 24.05 | 4.00 | 47.90 | 57.00 | 4.35 | 1 7/8"x16 UN | 44.50 | 53.40 |
| 36 | 48.00 | 24.05 | 4.00 | 52.50 | 63.50 | 4.35 | 2 1/16"x16 UNS | 49.20 | 59.60 |
| 40 | 48.00 | 24.05 | 4.00 | 59.00 | 70.00 | 4.35 | 2 5/16"x16 UN | 55.50 | 65.50 |

Receptacle with PC tails contact # 16



Ruggedized Reverse Bayonet Connector



Panel Cutout



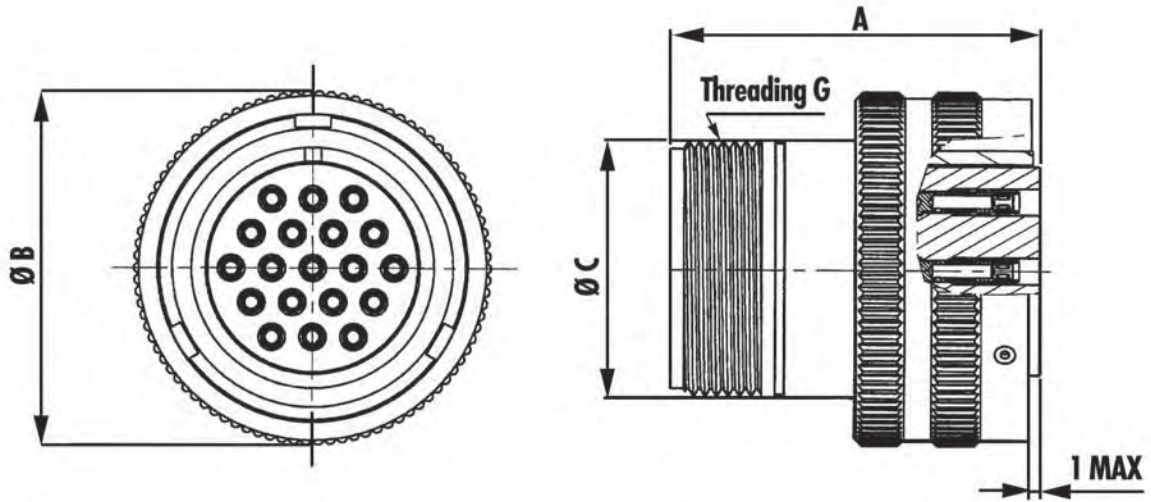
| Shell size | A ± 0.15 | B 0/+0.3 | C ± 0.10 | Maximum thickness of the panel for rear mounting |
|------------|-----------------|-------------|-----------------|---|
| 18 | 27 | 31,2 | 3,4 | 3 |
| 20 | 29,4 | 34,6 | 3,4 | 3 |
| 22 | 31,8 | 37,8 | 3,4 | 3 |
| 24 | 34,9 | 41,3 | 3,9 | 3 |
| 28 | 39,7 | 47,1 | 3,9 | 3 |
| 32 | 44,5 | 53,8 | 4,5 | 3 |
| 36 | 49,2 | 60 | 4,5 | 3 |
| 40 | 55,5 | 66,4 | 4,5 | 3 |

Note : The above panel cut-out enables front mounting of all receptacles.

Ruggedized Reverse Bayonet Connector



Plug

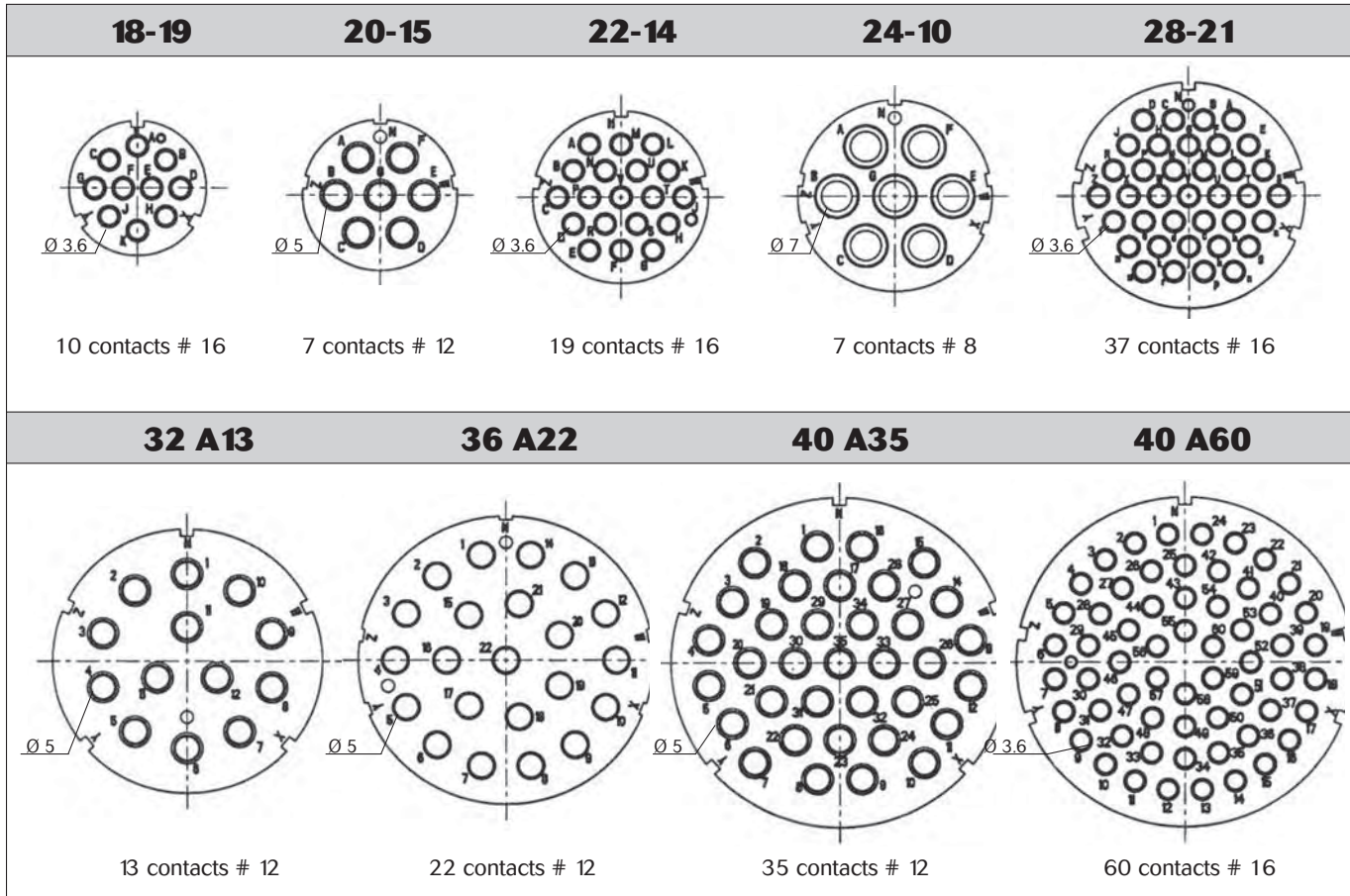


| Shell size | A Max | B Max | C Max | Threading G Class 2A |
|------------|-------|-------|-------|----------------------|
| 18 | 45.60 | 37.30 | 25.50 | 1" x 20 UNEF |
| 20 | 45.60 | 41.50 | 28.70 | 1 1/8" x 18 UNEF |
| 22 | 45.60 | 44.00 | 31.90 | 1 1/4" x 18 UNEF |
| 24 | 45.60 | 48.50 | 35.20 | 1 3/8" x 18 UNEF |
| 28 | 48.10 | 55.30 | 41.50 | 1 5/8" x 18 UNEF |
| 32 | 48.10 | 62.00 | 47.90 | 1 7/8" x 16 UN |
| 36 | 48.10 | 66.80 | 52.50 | 2 1/6" x 16 UNS |
| 40 | 48.10 | 74.50 | 59.00 | 2 5/16" x 16 UN |

Ruggedized Reverse Bayonet Connector

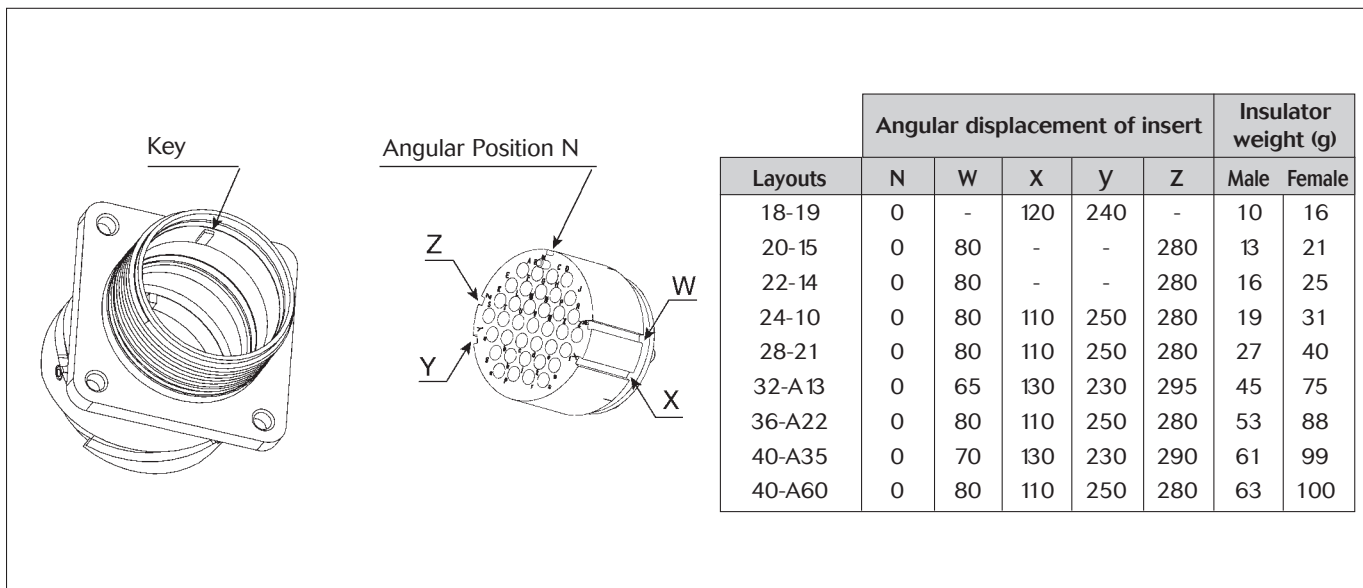


Layouts (marking on front face of female insulator)



Note : For other layouts: consult factory.

Alternative insert orientation positions



Ruggedized Reverse Bayonet Connector



Accessories

Backshells ordering information

| Series | UTV UTV | J C | S S | 18 22 | - 00 - 14 | 00 00 | M |
|--|------------|--------|--------|----------|--------------|----------|---|
| Backnut | | R | | | | | |
| Cable clamp | | C | | | | | |
| Backshell for PMA tube | | S | | | | | |
| Cable clamp with sealing gland | | J | | | | | |
| Cable clamp with sealing gland (trumpet) | | K | | | | | |
| Cable clamp with sealing gland for shielding | | T | | | | | |
| S - Straight backshell E - Elbow backshell | | | | | | | |
| Shell size : 18 - 20 - 22 - 24 - 28 - 32 - 36 - 40 | | | | | | | |
| Layout (grommet included) or 00 (without grommet) | | | | | | | |
| Adaptor type : 10 - long 00 - short | | | | | | | |
| Grommet type : M for male or L for female (if grommet needed) | | | | | | | |



Plug cap: F
ex: VGE1Fxx (xx = shell size)

receptacle cap: E
ex: VGE1Exx (xx = shell size)

Adaptor ordering information

| Series | UTV | P | S | 18 | - 00 | 00 |
|---|-----|---|---|----|------|----|
| P - Adaptor with PG outlet* | | | | | | |
| S - Adaptor for straight backshell | | | | | | |
| Shell size : 18 - 20 - 22 - 24 - 28 - 32 - 36 - 40 | | | | | | |
| Adaptor type : 10 - long 00 - short | | | | | | |

* For metric threading: consult factory

Ruggedized Reverse Bayonet Connector



Accessories

Grommet (only when needed on spare parts)

Grommet are delivered with a conical ring

| Layout | Grommet type | Part number | Wire insulator diameter (mm) | |
|--------|--------------|-------------|------------------------------|--------|
| | | | Mini | Maxi * |
| 18-19 | male | UTVM18-1900 | 1,2 | 2,95 |
| 18-19 | female | UTVL18-1900 | 1,2 | 2,95 |
| 20-15 | male | UTVM20-1500 | 1,2 | 3,6 |
| 20-15 | female | UTVL20-1500 | 1,2 | 3,6 |
| 22-14 | male | UTVM22-1400 | 1,2 | 2,95 |
| 22-14 | female | UTVL22-1400 | 1,2 | 2,95 |
| 24-10 | male | UTVM24-1000 | 4,2 | 6,2 |
| 24-10 | female | UTVL24-1000 | 4,2 | 6,2 |
| 28-21 | male | UTVM28-2100 | 1,2 | 2,95 |
| 28-21 | female | UTVL28-2100 | 1,2 | 2,95 |
| 32A13 | male | UTVM32A1300 | 1,2 | 3,6 |
| 32A13 | female | UTVL32A1300 | 1,2 | 3,6 |
| 36A22 | male | UTVM36A2200 | 1,2 | 3,6 |
| 36A22 | female | UTVL36A2200 | 1,2 | 3,6 |
| 40A35 | male | UTVM40A3500 | 1,2 | 3,6 |
| 40A35 | female | UTVL40A3500 | 1,2 | 3,6 |
| 40A60 | male | UTVM40A6000 | 1,2 | 2,95 |
| 40A60 | female | UTVL40A6000 | 1,2 | 2,95 |

* Please consult us if your wire has an insulation diameter over these values, we will propose you another grommet.

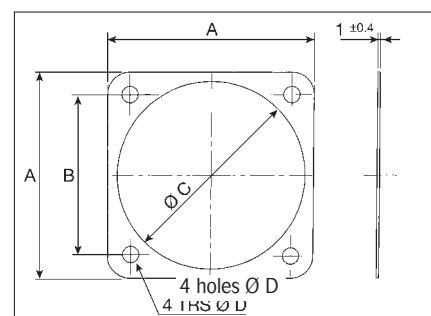


Grommet filler plug

| Contact size | Part number | Color | Photo |
|--------------|-------------|-------|---|
| # 16 # 12 | 8500-479 | blue |  |

Panel gasket

| Shell size | Part number | Dimensions | | | |
|------------|-------------|------------|---------|----------|------------|
| | | A ± 0.5 | B ± 0.2 | C 0/+0.3 | Ø D 0/+0.3 |
| 20 | UTVG20 | 38 | 29.4 | 34.2 | 4.2 |
| 22 | UTVG22 | 41 | 31.8 | 37.4 | 4.2 |
| 24 | UTVG24 | 44.5 | 34.9 | 40.9 | 4.2 |
| 28 | UTVG28 | 50.8 | 39.7 | 46.7 | 5.1 |
| 32 | UTVG32 | 57 | 44.5 | 53.4 | 5.1 |
| 36 | UTVG36 | 63.5 | 49.2 | 59.6 | 5.1 |
| 40 | UTVG40 | 69.9 | 55.5 | 65.5 | 5.1 |



Ruggedized Reverse Bayonet Connector



Synoptic of straight backshells (for IP67 applications)



| | | | | | | | | | | |
|--------------------|--------------|--------------|------------------------|------------------------|--------------------------------|--------------------------------|---|---|--|--|
| | | | | | | | | | | |
| | | | | | | | | | | |
| | | | | | | | | | | |
| Description | Backnut | Cable clamp | Backshell for PMA tube | Backshell for PMA tube | Cable clamp with sealing gland | Cable clamp with sealing gland | Cable clamp with sealing gland (trumpet shape to avoid cable wound) | Cable clamp with sealing gland (trumpet shape to avoid cable wound) | Cable clamp with sealing gland for shielding | Cable clamp with sealing gland for shielding |
| Ref | UTV RS****00 | UTV CS****00 | UTV SS****10 | UTV SS****00 | UTV JS****10 | UTV JS****00 | UTV KS****10 | UTV KS****00 | UTV TS****10 | UTV TS****00 |

Synoptic of adaptors

| | | |
|--------------------|-----------------------------|------------------------------|
| | | |
| Description | Long adaptor with PG outlet | Short adaptor with PG outlet |
| Ref | UTV PS**0010 | UTV PS**0000 |

NB: IP68 backshells are available under request

Ruggedized Reverse Bayonet Connector



Dimensions

| | Shell 18 | | Shell 20 | | Shell 22 | | Shell 24 | | Shell 28 | | Shell 32 | | Shell 36 | | Shell 40 | |
|----------|--------------------|--------------------|--------------------|--------------------|--------------------|--------------------|--------------------|--------------------|--------------------|--------------------|--------------------|--------------------|--------------------|--------------------|-----------------------------|--------------------|
| | with grommet | without grommet | with grommet | without grommet | with grommet | without grommet | with grommet | without grommet | with grommet | without grommet | with grommet | without grommet | with grommet | without grommet | with grommet | without grommet |
| | **** = 18-19 | **** = 18-00 | **** = 20-15 | **** = 20-00 | **** = 22-14 | **** = 22-00 | **** = 24-10 | **** = 24-00 | **** = 28-21 | **** = 28-00 | **** = 32A13 | **** = 32A00 | **** = 36A22 | **** = 36A00 | **** = 40A35 40A60 | **** = 40A00 |
| A | 22,5 | 22,5 | 22,5 | 22,5 | 22,5 | 22,5 | 22,5 | 22,5 | 24 | 24 | 24 | 24 | 24 | 24 | 24 | 24 |
| B | 45,6 | 45,6 | 45,6 | 45,6 | 45,6 | 45,6 | 45,6 | 45,6 | 48,1 | 48,1 | 48,1 | 48,1 | 48,1 | 48,1 | 48,1 | 48,1 |
| C | 18 | 18 | 18 | 18 | 18 | 18 | 18 | 18 | 17 | 17 | 17 | 17 | 17 | 17 | 17 | 17 |
| D | 44 | 44 | 44 | 44 | 44 | 44 | 44 | 44 | 47 | | | | | | | |
| E | 28,5 | 28,5 | 28,5 | 28,5 | 26 | 26 | 26 | 26 | 23 | | | | | | | |
| F | 48,6 | 48,6 | 48,6 | 48,6 | 48,6 | 48,6 | 48,6 | 48,6 | 58 | 48 | 48 | 48 | 48 | 48 | 48 | 48 |
| G | 34 | 34 | 34 | 34 | 34 | 34 | 34 | 34 | 33 | 33 | 33 | 33 | 33 | 33 | 33 | 33 |
| H | 35,5 | 35,5 | 35,5 | 35,5 | 38,5 | 38,5 | 38,5 | 38,5 | 38,5 | 38,5 | 38,5 | 38,5 | 52 | 52 | 46 | 46 |
| K | PMA17 | PMA17 | PMA17 | PMA17 | PMA23 | PMA23 | PMA23 | PMA23 | PMA29 | PMA29 | PMA29 | PMA29 | PMA36 | PMA36 | PMA48 | PMA48 |
| M | 23 | 23 | 23 | 23 | 31 | 31 | 31 | 31 | 31,5 | 31,5 | 31,5 | 31,5 | 37,5 | 37,5 | 45 | 45 |
| N | 7/12 | 7/12 | 9/14 | 9/14 | 10/18 | 10/18 | 10/18 | 10/18 | 14/24 | 14/24 | 14/24 | 14/24 | 22/30 | 22/30 | 25/35 | 25/35 |
| P | 30 | 30 | 31,5 | 31,5 | 38,5 | 38,5 | 38,5 | 38,5 | 45 | 45 | 45 | 45 | 51,5 | 51,5 | 57 | 57 |
| S | 33,5 | 33,5 | 33,5 | 33,5 | 43 | 43 | 43 | 43 | 52 | 52 | 52 | 52 | | | | |
| T | 8/12,5 | 8/12,5 | 10/14,5 | 10/14,5 | 13,5/18 | 13,5/18 | 13,5/18 | 13,5/18 | 17/24 | 17/24 | 17/24 | 17/24 | | | | |
| U | 4/15,5 | 4/15,5 | 7/15,5 | 7/15,5 | 9/15,5 | 9/15,5 | 8,5/19,5 | 8,5/19,5 | 9,5/19,5 | 9,5/19,5 | | | | | | |
| | PG13,5 | PG13,5 | PG16 | PG16 | PG21 | PG21 | PG21 | PG21 | PG29 | PG29 | PG29 | PG29 | PG36 | PG36 | PG42 | PG42 |

Note : Dimensions are not contractual and may be subject to modifications.

⇒ All backshells are compatible with a grommet and a conical ring.

⇒ For cable or PMA tube diameter not included in the above chart please consult us.

Example of rear dimensions calculation of a shell size 18 connector with a sealing gland cable clamp backshell without grommet and with a long adaptor

Backshell P/N : UTV JS 18 00 10

Rear dimensions receptacle + backshell :

$$A + F + M = 94,1 \text{ mm}$$

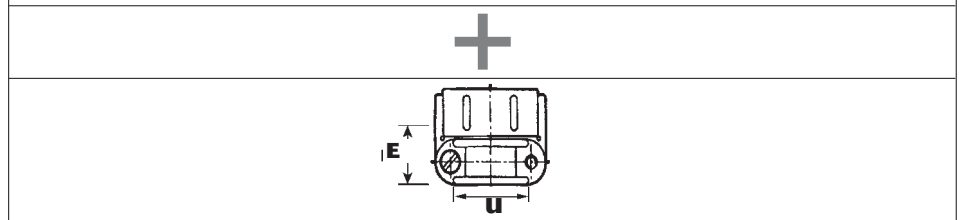
Ruggedized Reverse Bayonet Connector



Synoptic of elbow backshells (IP67 applications)



| | | | | |
|--------------------|------------------------|--------------------------------|---|--|
| | + | + | + | + |
| | | | | |
| Description | Backshell for PMA tube | Cable clamp with sealing gland | Cable clamp with sealing gland (trumpet shape to avoid cable wound) | Cable clamp with sealing gland for shielding |
| Part number | UTV SE****00 | UTV JE****00 | UTV KE****00 | UTV TE****00 |



| | |
|--------------------|--------------|
| Description | Cable clamp |
| Part number | UTV CE****00 |

NB: IP68 backshells are available upon request

Ruggedized Reverse Bayonet Connector



Dimensions

| | Shell 18 | | Shell 20 | | Shell 22 | | Shell 24 | | Shell 28 | | Shell 32 | | Shell 36 | | Shell 40 | |
|----------|--------------------|--------------------|--------------------|--------------------|--------------------|--------------------|--------------------|--------------------|--------------------|--------------------|--------------------|--------------------|--------------------|--------------------|-----------------------------|--------------------|
| | with grommet | without grommet | with grommet | without grommet | with grommet | without grommet | with grommet | without grommet | with grommet | without grommet | with grommet | without grommet | with grommet | without grommet | with grommet | without grommet |
| | **** = 18-19 | **** = 18-00 | **** = 20-15 | **** = 20-00 | **** = 22-14 | **** = 22-00 | **** = 24-10 | **** = 24-00 | **** = 28-21 | **** = 28-00 | **** = 32A13 | **** = 32A00 | **** = 36A22 | **** = 36A00 | **** = 40A35 40A60 | **** = 40A40 |
| A | 22,5 | | 22,5 | | 22,5 | | 22,5 | | 24 | | 24 | | 24 | | 24 | |
| B | 45,6 | | 45,6 | | 45,6 | | 45,6 | | 48,1 | | 48,1 | | 48,1 | | 48,1 | |
| C | 44 | | 43,5 | | 43,5 | | 46 | | 41 | | | | | | | |
| D | 26 | | 25,5 | | 17,5 | | 20 | | 18 | | | | | | | |
| E | 28,5 | | 28,5 | | 26 | | 26 | | 23 | | | | | | | |
| F | 43 | | 44 | | 44 | | 49 | | 46 | | 59 | | 60 | | | |
| H | 35,5 | | 35,5 | | 38,5 | | 38,5 | | 38,5 | | 38,5 | | 46 | | | |
| K | PMA 17 | | PMA 17 | | PMA23 | | PMA23 | | PMA29 | | PMA36 | | PMA36 | | | |
| M | 23 | | 23 | | 31 | | 31 | | 31,5 | | 31,5 | | 37,5 | | | |
| N | 7/12 | | 9/14 | | 10/18 | | 10/18 | | 14/24 | | 14/24 | | 22/30 | | | |
| P | 30 | | 31,5 | | 38,5 | | 38,5 | | 45 | | 45 | | 51,5 | | | |
| S | 33,5 | | 33,5 | | 43 | | 43 | | 52 | | 52 | | | | | |
| T | 8/12,5 | | 10/14,5 | | 13,5/18 | | 13,5/18 | | 17/24 | | 17/24 | | | | | |
| U | 4/15,5 | | 7/15,5 | | 9/15,5 | | 8,5/19,5 | | 9,5/19,5 | | | | | | | |
| | PG 13,5 | | PG16 | | PG 21 | | PG21 | | PG29 | | PG29 | | PG36 | | PG42 | |

Note : Dimensions are not contractual and may be subject to modifications.

⇒ All backshells are compatible with a grommet and a conical ring.

⇒ For cable or PMA tube diameter not included in the above chart please consult us.

Ruggedized Reverse Bayonet Connector



Tooling Data

| Contact size | Contact type | Contact Ø mm | Contact Part number | Contact Size | | Crimp tool | Locator | Extraction tool |
|--------------|--------------|--------------|---------------------|-----------------|-------|---------------------|------------------------|-----------------|
| | | | | mm ² | AWG | | | |
| #16 | Male | 1.6 | RM16M23K | 0.52 - 1.50 | 20-16 | MH860 (M22520/7-01) | MH86164G | RX2025GE1 |
| #16 | Female | 1.6 | RC16M23K | 0.52 - 1.50 | 20-16 | MH860 (M22520/7-01) | MH86164G | RX2025GE1 |
| #16 | Male | 1.6 | RM14M30K | 2.50 | 14 | AF8 (M22520/3-1) | TP1142 (selector on 8) | RX2025GE1 |
| #16 | Female | 1.6 | RC14M30K | 2.50 | 14 | AF8 (M22520/3-1) | TP1142 (selector on 8) | RX2025GE1 |
| #12 | Male | 2.4 | 8291 1437 NA | 0.50 | 20 | M317 | VGE10077A | 5106.021.09.24 |
| #12 | Female | 2.4 | 8291 1436 A | 0.50 | 20 | M317 | VGE10077A | 5106.021.09.24 |
| #12 | Male | 2.4 | 8291 1435 NA | 0.75 - 1.00 | 18 | M317 | VGE10077A | 5106.021.09.24 |
| #12 | Female | 2.4 | 8291 1434 A | 0.75 - 1.00 | 18 | M317 | VGE10077A | 5106.021.09.24 |
| #12 | Male | 2.4 | 8291 1463 NA | 1.50 | 16 | M317 | VGE10077A | 5106.021.09.24 |
| #12 | Female | 2.4 | 8291 1462 A | 1.50 | 16 | M317 | VGE10077A | 5106.021.09.24 |
| #12 | Male | 2.4 | 8291 1465 NA | 2.50 | 14 | M317 | VGE10077A | 5106.021.09.24 |
| #12 | Female | 2.4 | 8291 1464 A | 2.50 | 14 | M317 | VGE10077A | 5106.021.09.24 |
| #12 | Male | 2.4 | 8291 1437 NK | 0.50 | 20 | M317 | VGE10077A | 5106.021.09.24 |
| #12 | Female | 2.4 | 8291 1436 K | 0.50 | 20 | M317 | VGE10077A | 5106.021.09.24 |
| #12 | Male | 2.4 | 8291 1435 NK | 0.75 - 100 | 18 | M317 | VGE10077A | 5106.021.09.24 |
| #12 | Female | 2.4 | 8291 1434 K | 0.75 - 100 | 18 | M317 | VGE10077A | 5106.021.09.24 |
| #12 | Male | 2.4 | 8291 1463 NK | 1.50 | 16 | M317 | VGE10077A | 5106.021.09.24 |
| #12 | Female | 2.4 | 8291 1462 K | 1.50 | 16 | M317 | VGE10077A | 5106.021.09.24 |
| #12 | Male | 2.4 | 8291 1465 NK | 2.50 | 14 | M317 | VGE10077A | 5106.021.09.24 |
| #12 | Female | 2.4 | 8291 1464 K | 2.50 | 14 | M317 | VGE10077A | 5106.021.09.24 |
| #8 | Male | 3.6 | 8291 3601 A | 1.50 | 16 | M317 | VGE10078A | 5106.021.09.36 |
| #8 | Female | 3.6 | 8291 3600 A | 1.50 | 16 | M317 | VGE10078A | 5106.021.09.36 |
| #8 | Male | 3.6 | 8291 3603 A | 2.50 | 14 | M317 | VGE10078A | 5106.021.09.36 |
| #8 | Female | 3.6 | 8291 3602 A | 2.50 | 14 | M317 | VGE10078A | 5106.021.09.36 |
| #8 | Male | 3.6 | 8291 3605 A | 4.00 | 12 | M317 | VGE10078A | 5106.021.09.36 |
| #8 | Female | 3.6 | 8291 3604 A | 4.00 | 12 | M317 | VGE10078A | 5106.021.09.36 |
| #8 | Male | 3.6 | 8291 3607 A | 6.00 | 10 | M317 | VGE10078A | 5106.021.09.36 |
| #8 | Female | 3.6 | 8291 3606 A | 6.00 | 10 | M317 | VGE10078A | 5106.021.09.36 |

For detailed information on crimp tooling: see crimp tooling section.



Компания «ЭлектроПласт» предлагает заключение долгосрочных отношений при поставках импортных электронных компонентов на взаимовыгодных условиях!

Наши преимущества:

- Оперативные поставки широкого спектра электронных компонентов отечественного и импортного производства напрямую от производителей и с крупнейших мировых складов;
- Поставка более 17-ти миллионов наименований электронных компонентов;
- Поставка сложных, дефицитных, либо снятых с производства позиций;
- Оперативные сроки поставки под заказ (от 5 рабочих дней);
- Экспресс доставка в любую точку России;
- Техническая поддержка проекта, помощь в подборе аналогов, поставка прототипов;
- Система менеджмента качества сертифицирована по Международному стандарту ISO 9001;
- Лицензия ФСБ на осуществление работ с использованием сведений, составляющих государственную тайну;
- Поставка специализированных компонентов (Xilinx, Altera, Analog Devices, Intersil, Interpoint, Microsemi, Aeroflex, Peregrine, Syfer, Eurofarad, Texas Instrument, Miteq, Cobham, E2V, MA-COM, Hittite, Mini-Circuits, General Dynamics и др.);

Помимо этого, одним из направлений компании «ЭлектроПласт» является направление «Источники питания». Мы предлагаем Вам помощь Конструкторского отдела:

- Подбор оптимального решения, техническое обоснование при выборе компонента;
- Подбор аналогов;
- Консультации по применению компонента;
- Поставка образцов и прототипов;
- Техническая поддержка проекта;
- Защита от снятия компонента с производства.



Как с нами связаться

Телефон: 8 (812) 309 58 32 (многоканальный)

Факс: 8 (812) 320-02-42

Электронная почта: org@eplast1.ru

Адрес: 198099, г. Санкт-Петербург, ул. Калинина, дом 2, корпус 4, литера А.