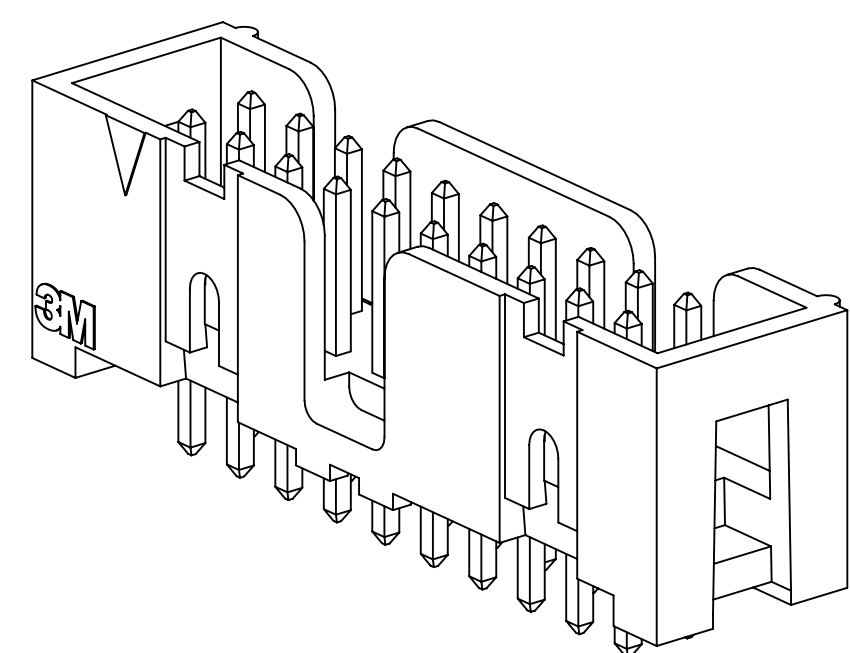
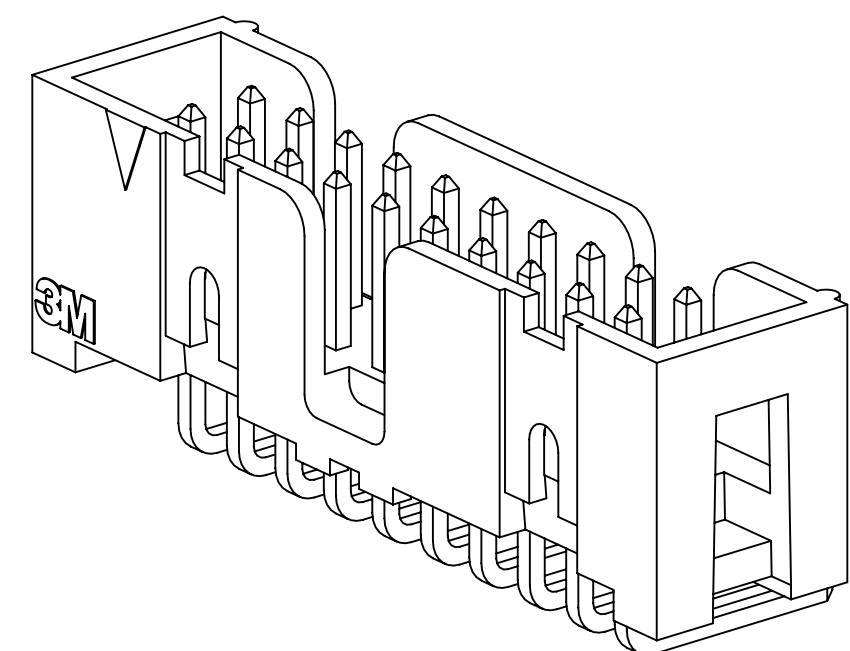


3M™ FOUR-WALL HEADER, 2500 SERIES

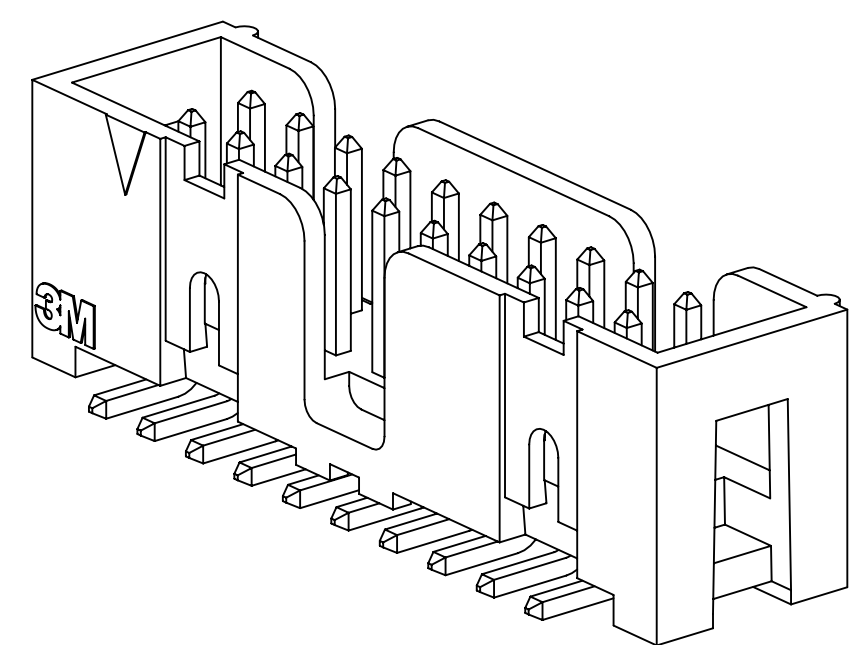
.100" X .100" LOW PROFILE, SURFACE MOUNT, STRAIGHT AND RIGHT ANGLE THROUGH-HOLE



25XX-60XX
STRAIGHT VERSION



25XX-50XX
RIGHT ANGLE VERSION



25XX-6VOC
SURFACE MOUNT VERSION

- * LOW PROFILE, SPACE SAVING DESIGN.
- * CENTER SLOT POLARIZATION PREVENTS MIS-INSERTIONS AND REDUCES INSERTION TIME.
- * DUAL SLOT POLARIZATION MEANS BROADER COMPATIBILITY WITH COMPETITIVE POLARIZATION DESIGNS (NOT AVAILABLE ON 6, 8 OR 10 POSITIONS).
- * OPTIONAL RETAINER CLIP FOR LOCKING SOCKETS IN PLACE AND INCREASING CONNECTION RELIABILITY IN VIBRATION-PRONE ENVIRONMENTS.
- * HIGH TEMPERATURE INSULATOR SUITABLE FOR "NO LEAD" SOLDERING OPERATIONS.
- * THROUGH HOLE VERSION SUITABLE FOR REFLOW SOLDERING USING "PASTE IN HOLE" TECHNIQUES.
- * EXPOSED SOLDER TAILS (ON RIGHT ANGLE VERSION) PROVIDE EASE OF CLEANING AND REDUCED REPAIR COST.
- * STRAIGHT SURFACE MOUNT VERSION AVAILABLE.

2 PHYSICAL :

INSULATOR:
MATERIAL: GLASS FILLED POLYESTER (PCT)
FLAMMABILITY: UL94V-0
COLOR: BLACK
CONTACT:
MATERIAL: COPPER ALLOY
PLATING:
UNDER PLATING: 100μ" [2.54μm] NICKEL-OVERALL
WIPING AREA: AVG. GOLD (SEE ORDERING INFORMATION)
SOLDER TAILS: 200μ" [5.08μm] TIN LEAD OR MATTE TIN (SEE ORDERING INFORMATION)
MARKINGS: 3M LOGO, PART IDENTIFICATION NUMBER AND ORIENTATION TRIANGLE

2 ELECTRICAL :

CURRENT RATING: 5.00A, 1 CONTACT POWERED
3.00A, 6 CONTACTS POWERED
1.75A, ALL CONTACTS POWERED
RATING CONDITIONS: EIA-364-070 METHOD 2, 30°C MAXIMUM
TEMPERATURE RISE, 20% DERATED. REFERENCE APPROPRIATE
3M PRODUCT SPECIFICATION FOR DETAILED CURRENT DERATING
CURVES.
INSULATION RESISTANCE: >1 X 10⁹Ω AT 500 V_{DC}
WITHSTANDING VOLTAGE: 1,000V_{RMS} AT SEA LEVEL

2 ENVIRONMENTAL :

TEMPERATURE RATING: -55°C TO 105°C
PROCESS RATING: 260°C, PER J-STD-020C, SINGLE PASS
MOISTURE SENSITIVITY LEVEL: 1 (PER J-STD-020C)

NOTES

1. REGULATORY INFORMATION:
ROHS COMPLIANT. SEE THE
REGULATORY INFORMATION
APPENDIX (RIA) IN THE
"ROHS COMPLIANCE" SECTION
OF WWW.3MCONNECTORS.COM FOR
COMPLIANCE INFORMATION.
2. IN THE EVENT OF CONFLICT
BETWEEN THIS DATA AND THAT
CONTAINED IN THE PRODUCT
SPECIFICATION, THE PRODUCT
SPECIFICATION TAKES PRECEDENT.
3. NOTCHES A & C WILL ACCOMODATE
3M POLARIZING KEY: N3518.
4. CONTACT TAILS .0245 [.622] WIRE
WITH .0075 [.191] CORNER RADIUS
AND .028 [.072] DIAGONAL.
5. SOLDER STANDOFFS FACILITATE
.01 [.3] CLEARANCE ABOVE
BOARD FOR REFLOW SOLDERING.

3M ELECTRONIC MATERIALS SOLUTIONS DIVISION
INTERCONNECT SOLUTIONS
<http://www.3mconnectors.com>

3M IS A TRADEMARK OF 3M COMPANY.
FOR TECHNICAL, SALES OR ORDERING
INFORMATION CALL 800-225-5373

DIMENSIONS: INCHES [MM]
[MM] IS REF. ONLY

DESIGN REFERENCE	NEXT ASSEMBLY		
DATE AUG 11, 2014	DATE AUG 11, 2014	DATE AUG 11, 2014	DATE AUG 11, 2014
DIVISION Interconnect Solutions	DIVISION CODE EMSD		
DO NOT SCALE DRAWING	SCALE 1	TOLERANCES EXCEPT AS NOTED	
THIRD ANGLE PROJECTION		INCHES .00 ± .01 .000 ± .0005 .0000 ±	
INTERPRET PER ASME Y14.5 - 2009		MILLIMETERS 0 ± .00 ± .3 .00 ± .13 .000 ±	
MAX SURFACE ROUGHNESS SURFACES		ANGLES	
<input checked="" type="checkbox"/> MARKED ONLY			

N	68908	AUG 02, 2016	JNC	SC
M	56068	AUG 11, 2014	JNC	RS
REV	ECO	ISSUE DATE AND DESCRIPTION	DRFT	CHKD
DRFT	CHKD	DATE AUG 11, 2014	DATE AUG 11, 2014	DATE SEP 05, 2014
D		78-5100-0770-7	N	
MODEL		2500 SERIES	SHT 1 OF 5	

© 3M COPYRIGHT 2016
This document and the information it contains are 3M property and may not be reproduced or further distributed without 3M permission, or used or disclosed other than for 3M authorized purposes. All rights reserved.

3M Center St. Paul, MN 55144

INTERCONNECT SOLUTIONS
HEADERS, 4-WALL,
LO-PRO, .100 X .100,
SMT, STRAIGHT & RA

CAGE NUMBER D 78-5100-0770-7
REV. N
DEF. 1 IS YES X NO SHT 1 OF 5

CAU
UL FILE NO: E68080

3M™ FOUR-WALL HEADER, 2500 SERIES
 .100" X .100" LOW PROFILE, SURFACE MOUNT, STRAIGHT AND RIGHT ANGLE THROUGH-HOLE

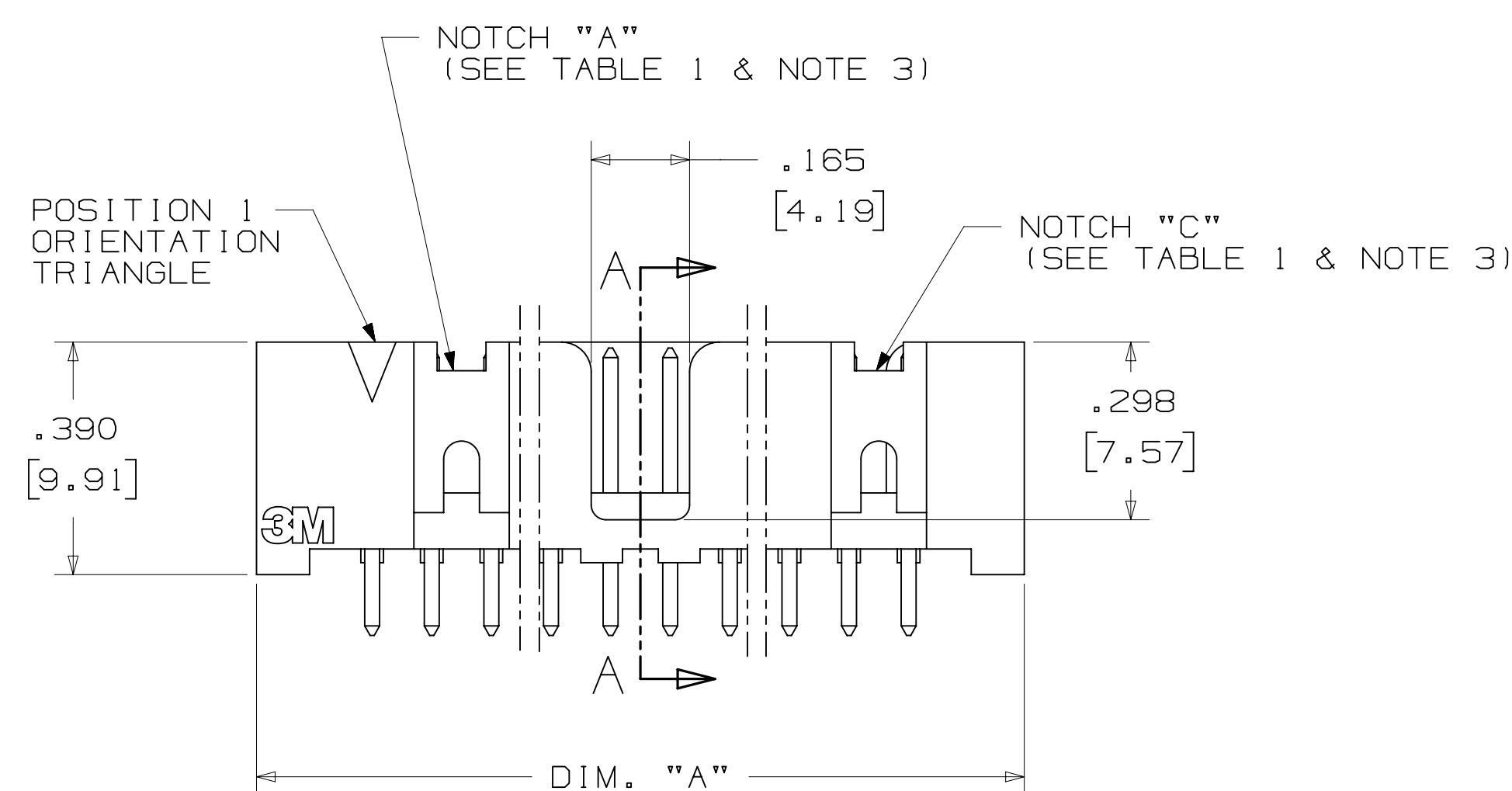
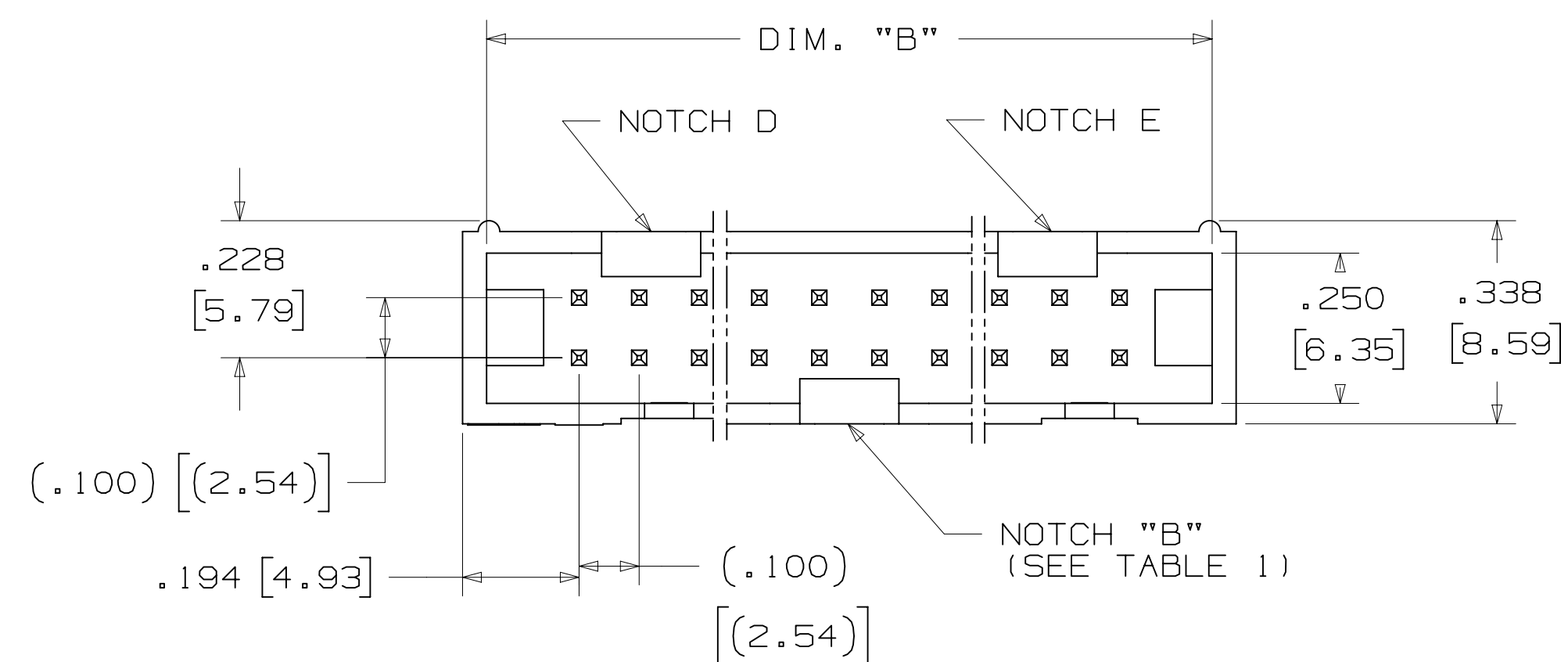
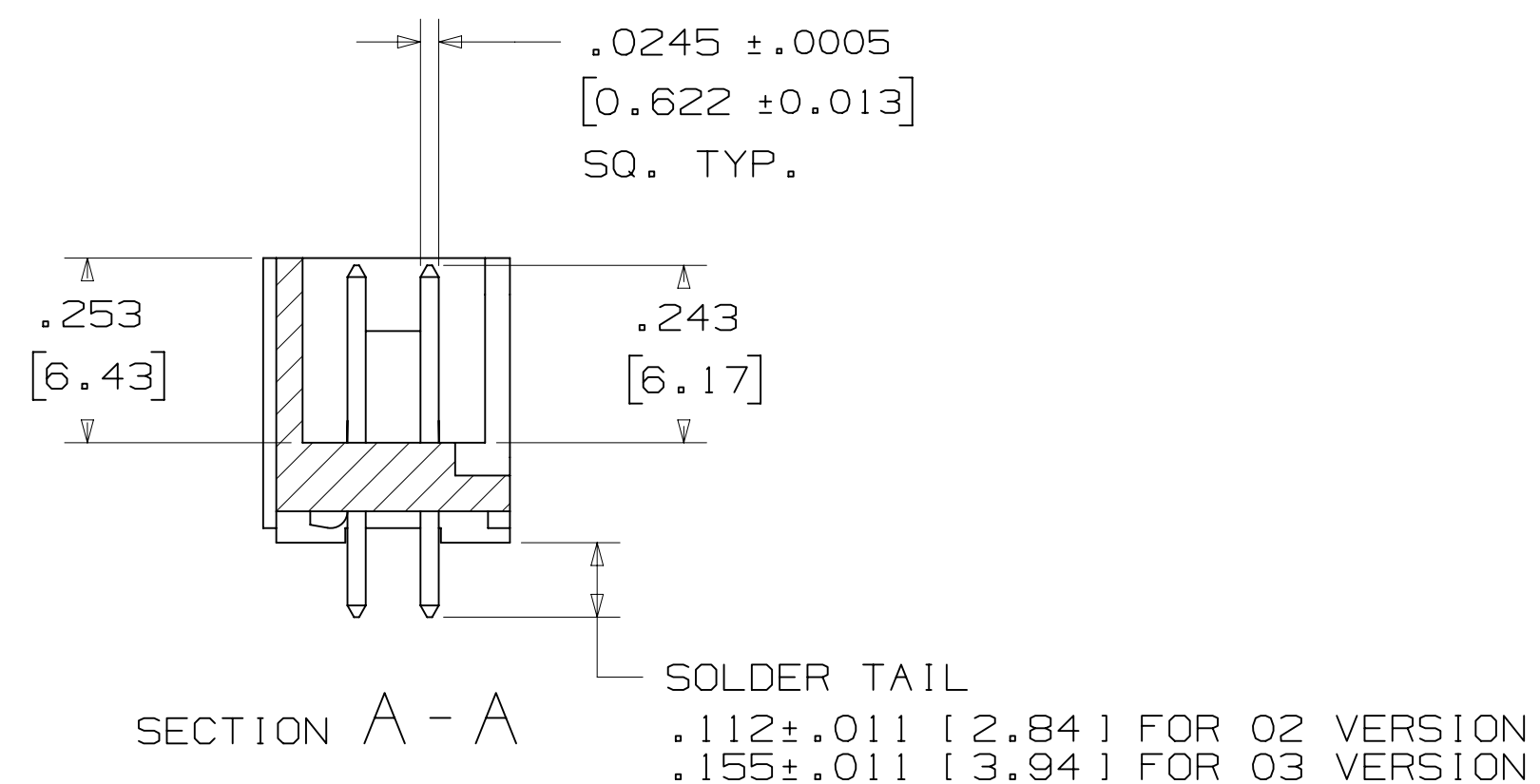
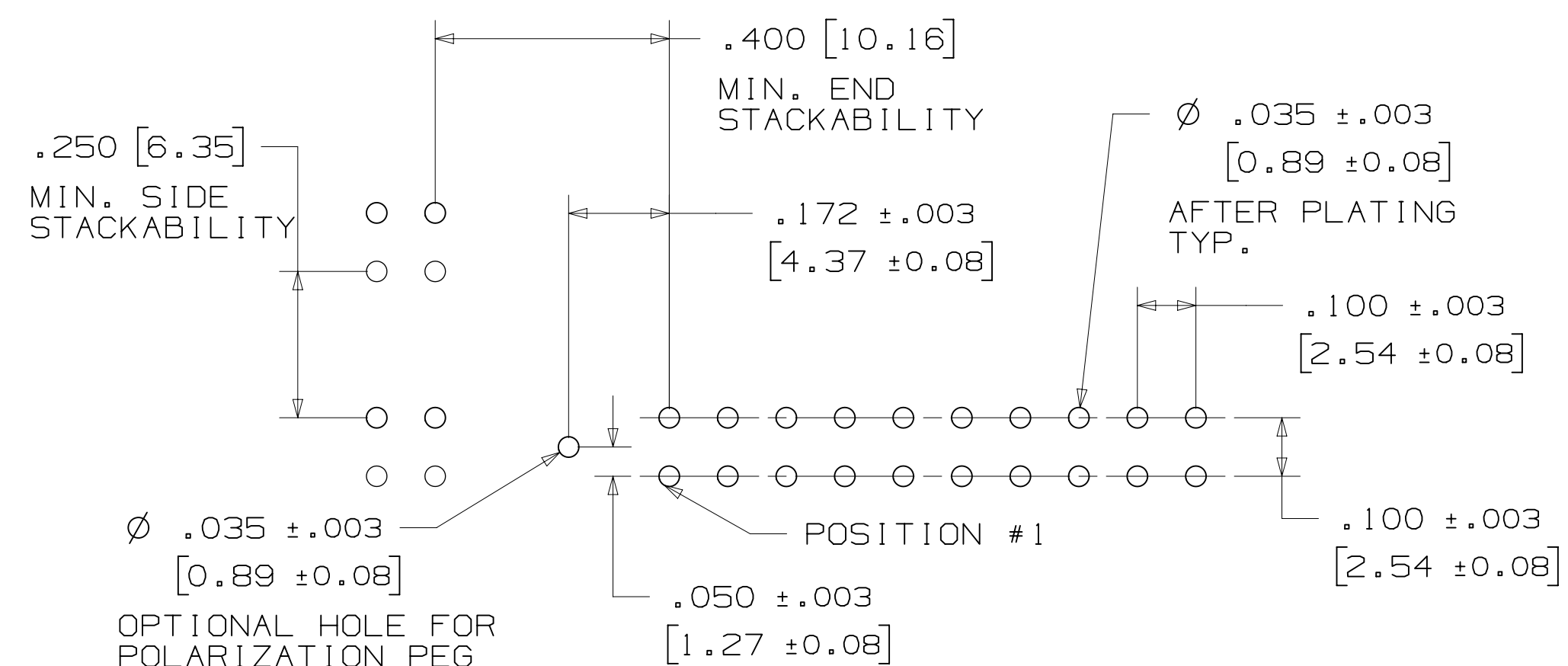


TABLE 1				
PIN QTY.	DIM. "A"	DIM. "B"	POLARIZING NOTCHES	PIN QTY.
06	.588 [14.94]	.508 [12.90]	B	06
08	.688 [17.48]	.608 [15.44]	B	08
10	.788 [20.02]	.708 [17.98]	BC	10
14	.988 [25.10]	.908 [23.06]	BCDE	14
16	1.088 [27.64]	1.008 [25.60]	ABCDE	16
20	1.288 [32.72]	1.208 [30.68]	ABCDE	20
24	1.488 [37.80]	1.408 [35.76]	ABCDE	24
26	1.588 [40.34]	1.508 [38.30]	ABCDE	26
30	1.788 [45.42]	1.708 [43.38]	ABCDE	30
34	1.988 [50.50]	1.908 [48.46]	ABCDE	34
36	2.088 [53.04]	2.008 [51.00]	ABCDE	36
40	2.288 [58.12]	2.208 [56.08]	ABCDE	40
50	2.788 [70.82]	2.708 [68.78]	ABCDE	50
60	3.288 [83.52]	3.208 [81.48]	ABCDE	60
64	3.488 [88.60]	3.408 [86.56]	ABCDE	64



ORDERING INFORMATION
 STRAIGHT VERSION

X25XX-60XX-XX

N = HIGH TEMP BLACK (PCT)
 (RB, UB OR UG PLATING REQ'D)
 BLANK = (UB OR UG PLATING)

PIN QUANTITY:
 (SEE TABLE 1)

SOLDER TAIL:
 O2 = FOR .062 [1.57] THICK BOARD
 O3 = FOR .094 TO .125 [2.39 TO 3.18]
 THICK BOARD

PLATING:
 RB = 30µ" [0.76µm] AVG. GOLD
 200µ" [5.08µm] MATTE TIN (RIA, E1 & C1 APPLY)
 UG = 15µ" [0.38µm] AVG. GOLD
 200µ" [5.08µm] 60:40 TIN-LEAD SOLDER TAILS
 (RIA E3 & C2 APPLY)
 UB = 30µ" [0.76µm] AVG. GOLD
 200µ" [5.08µm] 60:40 TIN LEAD SOLDER TAILS
 (RIA E3 & C2 APPLY)

RECOMMENDED HOLE PATTERN
 SHOWN FROM COMPONENT SIDE

N	68908	AUG 02, 2016	JNC	SC
M	56068	AUG 11, 2014	JNC	RS

REV	ECO	ISSUE DATE AND DESCRIPTION	DRFT	CHKD
1		AUG 11, 2014		

DESIGNER	C. CASTIGLIONE	DATE	AUG 11, 2014
APPROV	R. SCHERER	DATE	SEP 05, 2014

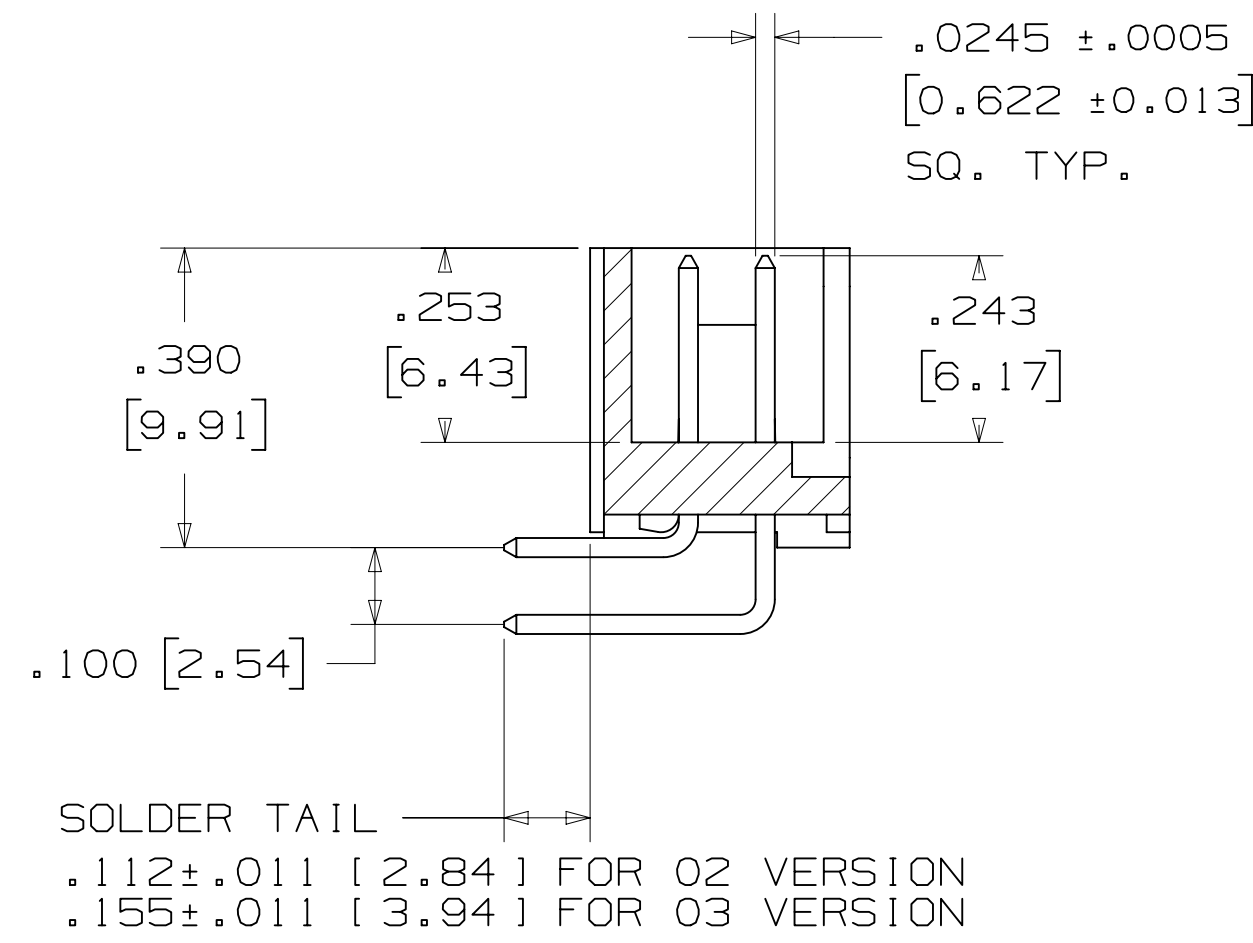
3M	Center St. Paul, MN 55144
© 3M COPYRIGHT 2016	
This document and the information it contains are 3M property and may not be reproduced or further distributed without 3M permission, or used or disclosed other than for 3M authorized purposes. All rights reserved.	
TITLE HEADER, 4-WALL, LO-PRO, .100 X .100, SMT, STRAIGHT & RA	
CAGE NUMBER	D78-5100-0770-7
SIZE	N
DRAWING NO.	78-5100-0770-7
REV.	N
MODEL	2500 SERIES
DET	IS1s
YES	NO
SHT 2 OF 5	

DESIGN REFERENCE	NEXT ASSEMBLY
DO NOT SCALE DRAWING	SCALE 4/1
THIRD ANGLE PROJECTION	TOLERANCES EXCEPT AS NOTED
INTERPRET PER ASME Y14.5 - 2009	INCHES .00 ± .01 .000 ± .005 .0000 ±
MAX SURFACE ROUGHNESS	MILLIMETERS 0 ± .00 ± .13 .000 ±
MARKED ONLY	ANGLES

78-5100-0770-7
 N
 DRAWING NUMBER
 REVISION
 11:10 AM UTC-05:00
 Imaged: N.1 B/5/2016

3M™ FOUR-WALL HEADER, 2500 SERIES

.100" X .100" LOW PROFILE, SURFACE MOUNT, STRAIGHT AND RIGHT ANGLE THROUGH-HOLE



SECTION B-B

TABLE 1				
PIN QTY.	DIM. "A"	DIM. "B"	POLARIZING NOTCHES	PIN QTY.
06	.588 [14.94]	.508 [12.90]	B	06
08	.688 [17.48]	.608 [15.44]	B	08
10	.788 [20.02]	.708 [17.98]	BC	10
14	.988 [25.10]	.908 [23.06]	BCDE	14
16	1.088 [27.64]	1.008 [25.60]	ABCDE	16
20	1.288 [32.72]	1.208 [30.68]	ABCDE	20
24	1.488 [37.80]	1.408 [35.76]	ABCDE	24
26	1.588 [40.34]	1.508 [38.30]	ABCDE	26
30	1.788 [45.42]	1.708 [43.38]	ABCDE	30
34	1.988 [50.50]	1.908 [48.46]	ABCDE	34
36	2.088 [53.04]	2.008 [51.00]	ABCDE	36
40	2.288 [58.12]	2.208 [56.08]	ABCDE	40
50	2.788 [70.82]	2.708 [68.78]	ABCDE	50
60	3.288 [83.52]	3.208 [81.48]	ABCDE	60
64	3.488 [88.60]	3.408 [86.56]	ABCDE	64

ORDERING INFORMATION RIGHT ANGLE VERSION

X25XX-50XX-XX

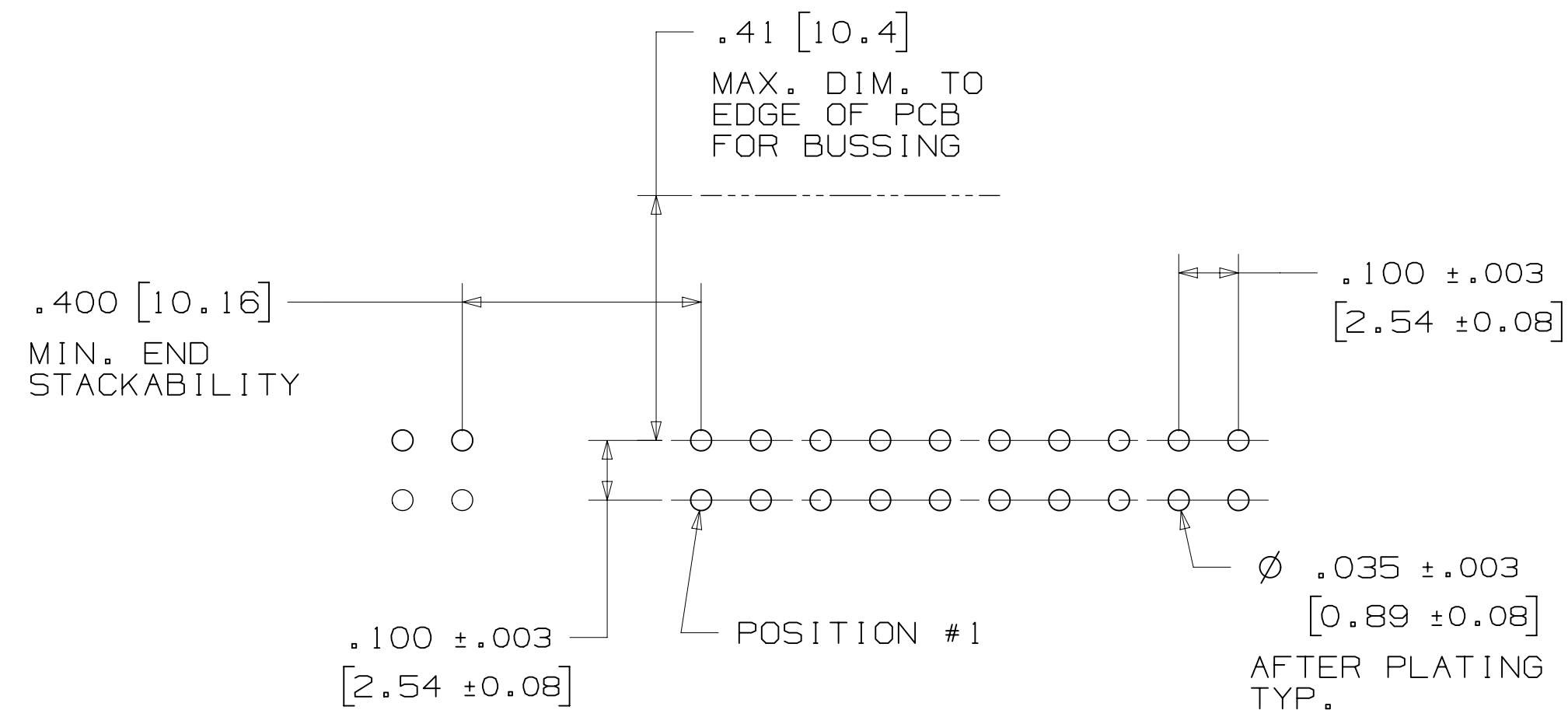
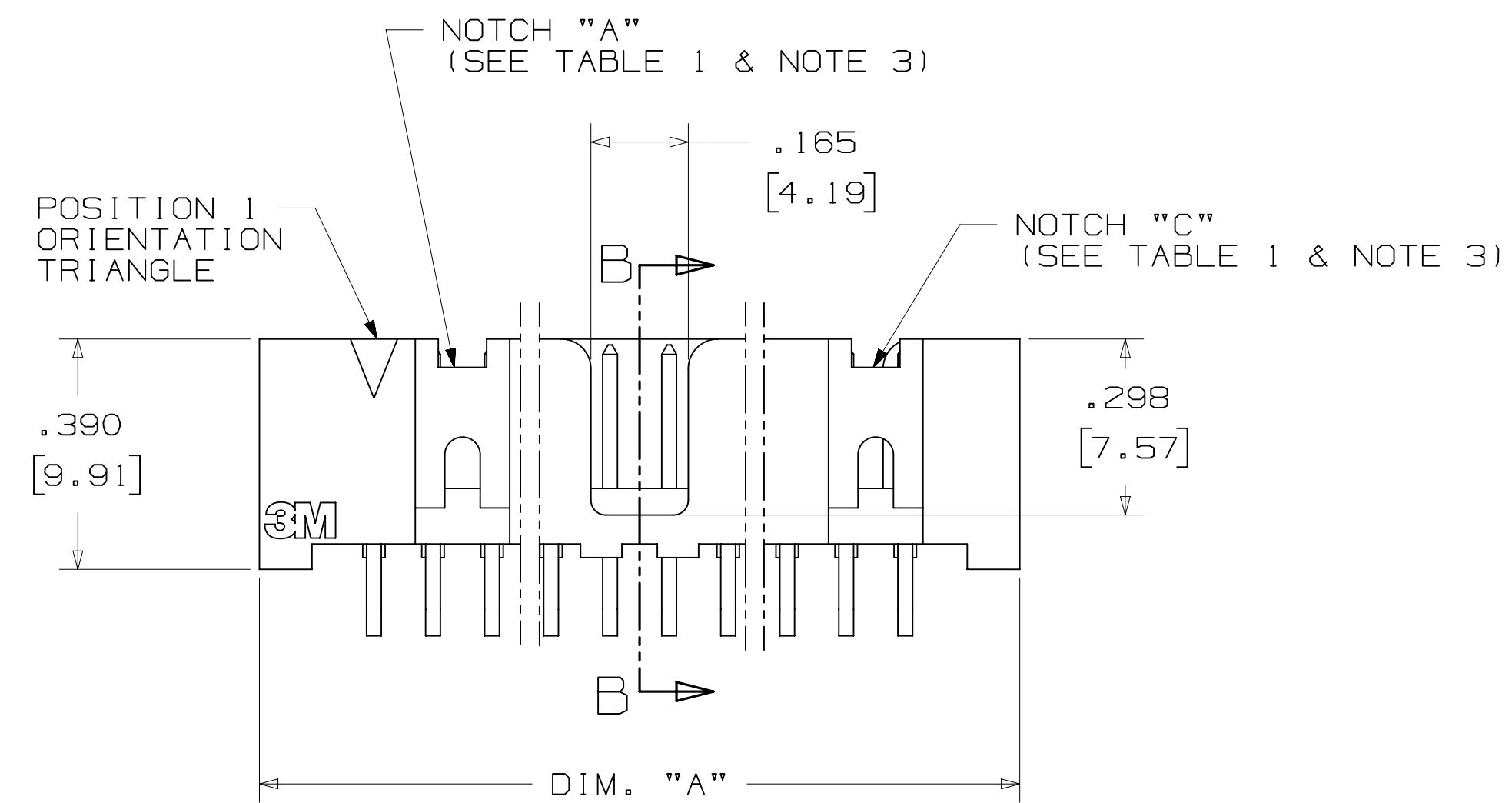
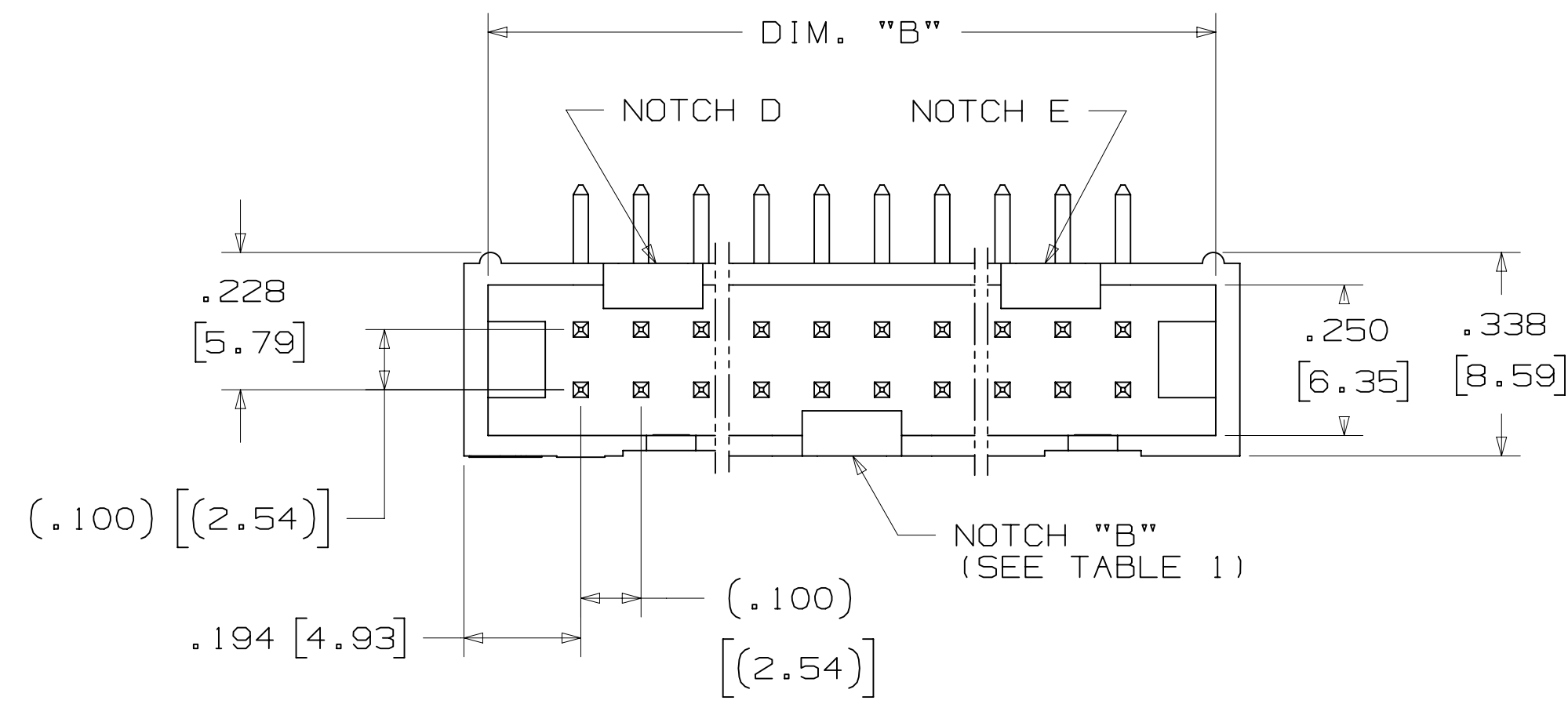
N= HIGH TEMP BLACK (PCT)
(RB, UB OR UG PLATING REQ'D)
BLANK= (UB OR UG PLATING)

PIN QUANTITY:
(SEE TABLE 1)

SOLDER TAIL:
O2 = FOR .062 [1.57] THICK BOARD
O3 = FOR .094 TO .125 [2.39 TO 3.18]
THICK BOARD

PLATING:

RB = 30μ" [0.76μm] AVG. GOLD
200μ" [5.08μm] MATTE TIN (RIA, E1 & C1 APPLY)
UG = 15μ" [0.38μm] AVG. GOLD
200μ" [5.08μm] 60:40 TIN-LEAD SOLDER TAILS
(RIA E3 & C2 APPLY)
UB = 30μ" [0.76μm] AVG. GOLD
200μ" [5.08μm] 60:40 TIN LEAD SOLDER TAILS
(RIA E3 & C2 APPLY)



RECOMMENDED HOLE PATTERN SHOWN FROM COMPONENT SIDE

DESIGN REFERENCE	NEXT ASSEMBLY	REV	ECO	ISSUE DATE AND DESCRIPTION	DRFT	CHKD
Interconnect Solutions	EMSD	CASTIGLIONE	AUG 11, 2014	MFG		
DO NOT SCALE DRAWING	SCALE 4-1	TOLERANCES EXCEPT AS NOTED	INCHES .00 ± .01 .000 ± .005 .0000 ±			
THIRD ANGLE PROJECTION	INTERPRET PER ASME Y14.5 - 2009	MILLIMETERS	0 ± .0 ± .3 .00 ± .13 .000 ±			
MAX SURFACE ROUGHNESS	MARKED ONLY	ANGLER	TITLE HEADER, 4-WALL, LO-PRO, .100 X .100, SMT, STRAIGHT & RA			
			CAGE NUMBER	SIZE	DRAWING NO.	REV.
			D	78-5100-0770-7	N	
			MODEL	2500 SERIES	DET	IS1s YES NO SHT 3 OF 5

78-5100-0770-7
 11:10 AM UTC-05:00

3M™ FOUR-WALL HEADER, 2500 SERIES

.100" X .100" LOW PROFILE, SURFACE MOUNT, STRAIGHT AND RIGHT ANGLE THROUGH-HOLE



SECTION C - C

TABLE 1					
PIN QTY.	DIM. "A"	DIM. "B"	POLARIZING NOTCHES	TAPE AND REEL PKG CODE	PIN QTY.
06	.588 [14.94]	.508 [12.90]	B	WD (44 MM)	06
08	.688 [17.48]	.608 [15.44]	B	WD (44 MM)	08
10	.788 [20.02]	.708 [17.98]	BC	WD (44 MM)	10
14	.988 [25.10]	.908 [23.06]	BCDE	WD (44 MM)	14
16	1.088 [27.64]	1.008 [25.60]	ABCDE	WD (44 MM)	16
20	1.288 [32.72]	1.208 [30.68]	ABCDE	WE (56 MM)	20
24	1.488 [37.80]	1.408 [35.76]	ABCDE	WE (56 MM)	24
26	1.588 [40.34]	1.508 [38.30]	ABCDE	WE (56 MM)	26
30	1.788 [45.42]	1.708 [43.38]	ABCDE	WF (72 MM)	30
34	1.988 [50.50]	1.908 [48.46]	ABCDE	WF (72 MM)	34
36	2.088 [53.04]	2.008 [51.00]	ABCDE	WG (88 MM)	36
40	2.288 [58.12]	2.208 [56.08]	ABCDE	WG (88 MM)	40
50	2.788 [70.82]	2.708 [68.78]	ABCDE	WG (88 MM)	50
60	3.288 [83.52]	3.208 [81.48]	ABCDE	WH (120 MM)	60
64	3.488 [88.60]	3.408 [86.56]	ABCDE	WH (120 MM)	64



RECOMMENDED PAD LAYOUT

ORDERING INFORMATION SURFACE MOUNT VERSION

N25XX-6VOC-XX-XX

N = HIGH TEMP BLACK (PCT) (RB PLATING REQ'D)

PIN QUANTITY: (SEE TABLE 1)

PACKAGING OPTIONS: WX = TAPE & REEL PACKAGING (SEE TABLE 1)

PLATING: RB = 30µ" [0.76µm] AVG. GOLD 200µ" [5.08µm] MATTE TIN (RIA, E1 & C1 APPLY)

DESIGN REFERENCE	NEXT ASSEMBLY	REV	ECO	ISSUE DATE AND DESCRIPTION	DRFT	CHKD
				AUG 11, 2014		
DIVISION: Interconnect Solutions		DIVISION CODE: EMSD		DATE: AUG 11, 2014		
DO NOT SCALE DRAWING		SCALE: 4/1		TOLERANCES EXCEPT AS NOTED		
THIRD ANGLE PROJECTION		INCHES: .00 ± .01		MILLIMETERS: 0 ± .005		
INTERPRET PER ASME Y14.5 - 2009		MILLIMETERS: 0 ± .005		INCHES: .00 ± .013		
MAX SURFACE ROUGHNESS: 1.6 SURFACES		MILLIMETERS: 0 ± .005		INCHES: 0 ± .013		
MARKED ONLY		ANGLES: 1/16"		CAGE NUMBER: D78-5100-0770-7		
		MODEL: 2500 SERIES		REV. N		

N	68908	AUG 02, 2016	JNC	SC
M	56068	AUG 11, 2014	JNC	RS

© 3M COPYRIGHT 2016
 This document and the information it contains are 3M property and may not be reproduced or further distributed without 3M permission, or used or disclosed other than for 3M authorized purposes. All rights reserved.

3M Center St. Paul, MN 55144

HEADER, 4-WALL, LO-PRO, .100 X .100, SMT, STRAIGHT & RA

REV. N

SHT 4 OF 5

DRAWING NUMBER: 78-5100-0770-7

3M™ FOUR-WALL HEADER, 2500 SERIES
 .100" X .100" LOW PROFILE, SURFACE MOUNT, STRAIGHT AND RIGHT ANGLE THROUGH-HOLE

PART CUSTOMIZATION

THIS SPEC SHEET DETAILS OUR STANDARD OFFERING.
 3M HAS SEVERAL CAPABILITIES THAT CAN PROVIDE A PART TAILORED TO YOUR SPECIFIC NEEDS. ASK YOUR 3M SALES REPRESENTATIVE OR CUSTOMER SERVICE FOR MORE DETAILS.
 * SELECTIVE PIN REMOVAL (FOR BOARD ASSEMBLY POLARIZATION).
 * DIFFERENT PIN LENGTHS.

LOW PROFILE LATCH



PART NO.	MATERIAL	COLOR
3505-33B	NYLON	BLACK

NOTE:
 LATCHES NOT COMPATIBLE WITH REFLOW SOLDERING.
 ATTACH LATCHES AFTER SOLDERING.

POLARIZING POST



PART NO.	MATERIAL	COLOR
3201-3	PCT	BLACK

POLARIZING KEY



3M PART NO.	MATERIAL	COLOR	DIM. "A"
N3518	LCP	BLACK	.02

NOTE:
 #2216 B/A SCOTCHWELD CAN BE USED TO ADHERE KEYS.

SHORT/LONG SOCKET RETAINER CLIP



PIN QTY.	DIM. "A"
06	N/A
08	N/A
10	.81 [20.6]
14	1.02 [25.9]
16	1.12 [28.4]
20	1.32 [33.5]
24	1.52 [38.7]
26	1.63 [41.4]
30	1.83 [46.4]
34	2.03 [51.6]
36	N/A
40	2.33 [59.2]
50	2.83 [71.9]
60	3.33 [84.6]
64	3.53 [89.7]

NOTE:
 STAINLESS STEEL WITH GRAY POLYURETHANE COATING.

3505-8XXX
 CLIP HEIGHT CODE _____ PIN COUNT (SEE TABLE)
 0 = .31 [7.9] FOR SOCKETS WITHOUT STRAIN RELIEF
 1 = .53 [13.5] FOR SOCKETS WITH STRAIN RELIEF

NOTE:
 1) THE FOLLOWING RETAINER CLIPS HAVE BEEN DISCONTINUED:
 3505-8064
 3505-8124
 3505-8150

DESIGN REFERENCE	NEXT ASSEMBLY	REV	ECO	ISSUE DATE AND DESCRIPTION	DRFT	CHKD
				AUG 02, 2016	JNC	SC
				REVISE DIM ON SHT2 & CLIP CHART ON SHT5		
				AUG 11, 2014	JNC	RS
				REVISU AND REDRAWN		
				AUG 11, 2014		
				R. SCHERER		SEP 05, 2014
DIVISION: Interconnect Solutions SCALE: 4/1 DO NOT SCALE DRAWING		DIVISION CODE: EMSD TOLERANCES EXCEPT AS NOTED INCHES: .00 ± .01, .000 ± .005, .0000 ± MILLIMETERS: 0 ± .3, .00 ± .13		3M Center St. Paul, MN 55144 © 3M COPYRIGHT 2016 This document and the information it contains are 3M property and may not be reproduced or further distributed without 3M permission, or used or disclosed other than for 3M authorized purposes. All rights reserved.		
THIRD ANGLE PROJECTION INTERPRET PER ASME Y14.5 - 2009		MAX SURFACE ROUGHNESS SURFACES MARKED ONLY		TITLE: HEADER, 4-WALL, LO-PRO, .100 X .100, SMT, STRAIGHT & RA CAGE NUMBER: D78-5100-0770-7 MODEL: 2500 SERIES SHEET: 5 OF 5		

78-5100-0770-7
 N
 REVISION
 11:10 AM UTC-05:00
 8/5/2016



Компания «ЭлектроПласт» предлагает заключение долгосрочных отношений при поставках импортных электронных компонентов на взаимовыгодных условиях!

Наши преимущества:

- Оперативные поставки широкого спектра электронных компонентов отечественного и импортного производства напрямую от производителей и с крупнейших мировых складов;
- Поставка более 17-ти миллионов наименований электронных компонентов;
- Поставка сложных, дефицитных, либо снятых с производства позиций;
- Оперативные сроки поставки под заказ (от 5 рабочих дней);
- Экспресс доставка в любую точку России;
- Техническая поддержка проекта, помощь в подборе аналогов, поставка прототипов;
- Система менеджмента качества сертифицирована по Международному стандарту ISO 9001;
- Лицензия ФСБ на осуществление работ с использованием сведений, составляющих государственную тайну;
- Поставка специализированных компонентов (Xilinx, Altera, Analog Devices, Intersil, Interpoint, Microsemi, Aeroflex, Peregrine, Syfer, Eurofarad, Texas Instrument, Miteq, Cobham, E2V, MA-COM, Hittite, Mini-Circuits, General Dynamics и др.);

Помимо этого, одним из направлений компании «ЭлектроПласт» является направление «Источники питания». Мы предлагаем Вам помощь Конструкторского отдела:

- Подбор оптимального решения, техническое обоснование при выборе компонента;
- Подбор аналогов;
- Консультации по применению компонента;
- Поставка образцов и прототипов;
- Техническая поддержка проекта;
- Защита от снятия компонента с производства.



Как с нами связаться

Телефон: 8 (812) 309 58 32 (многоканальный)

Факс: 8 (812) 320-02-42

Электронная почта: org@eplast1.ru

Адрес: 198099, г. Санкт-Петербург, ул. Калинина, дом 2, корпус 4, литера А.