



# Z86193

## CMOS Z8<sup>®</sup> MICROCONTROLLER MULTIPLIER/DIVIDER/SEARCH/MERGE

### GENERAL DESCRIPTION

The Z86193 is a CMOS ROMless Z8<sup>®</sup> microcontroller enhanced with a hardwired 16-bit x 16-bit multiplier, 32-bit/16-bit divider, three 16-bit counter/timers, search and merge instructions, Evaluation mode and a Bus Request mode. The device is code compatible with other Z8 family devices, yet it offers more powerful mathematical capabilities, data searching capabilities, and bit manipulation. The Z86193 is offered in a 64-pin VQFP package.

The Z86193 provides up to 16 output address lines permitting an address space of up to 64 Kbytes each of Program or Data memory. Eight address outputs are provided by a de-multiplexed 8-bit Address Bus (A7-A0) or by a multiplexed 8-bit Address/Data Bus (AD7-AD0). The remaining eight address lines (A15-A8) can be provided by the software configuration of Port0 to output address.

The Z86193 includes a bus which differs from other Z8 devices. The Z86193 provides bus control signals /RD (Read Strobe), /WR (Write Strobe), and ALE (Address Latch Enable).

There are 464 8-bit registers located on-chip and organized as 444 general-purpose registers, 16 control and status registers, one reserved register, and up to three I/O port registers. The Register File is partitioned into two Register Pages. Page0 contains 208 registers and Page1 contains 208 registers. The 48 other registers are common to both Register Pages. The Register file is also divided into 29 working register groups of 16 registers each. Configuration of the registers in this format allows the use of short format instructions. There are 17 additional registers implemented in the Expanded Register file in Banks D and E. Two of the registers may be used as general-purpose, while the other 15 are used to supply data and control for the multiplier/divider unit and the additional counter/timers.

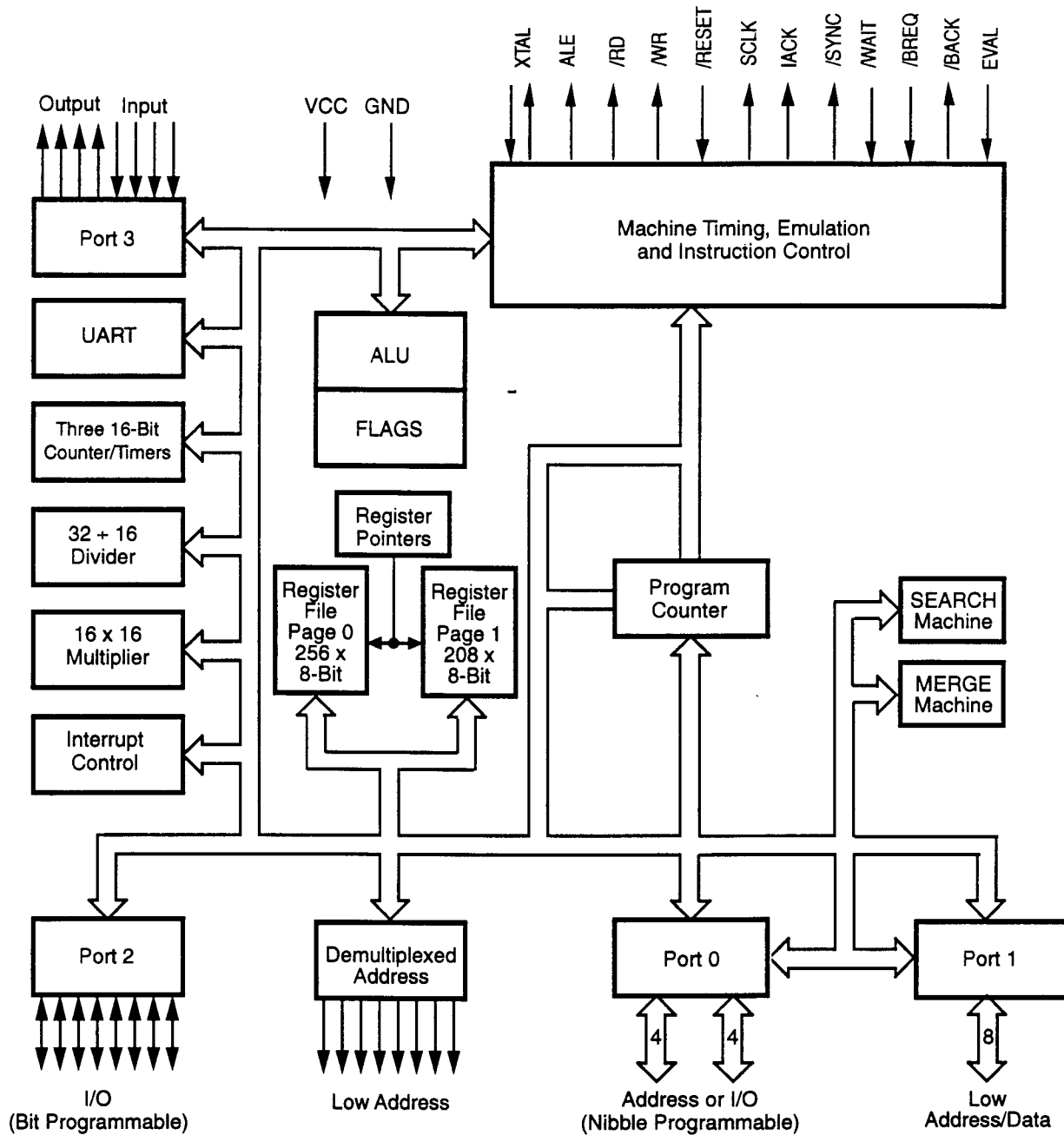
**Notes:**

All Signals with a preceding front slash, "/", are active Low, e.g.: /B/W (WORD is active Low); /B/W (BYTE is active Low, only).

Power connections follow conventional descriptions below:

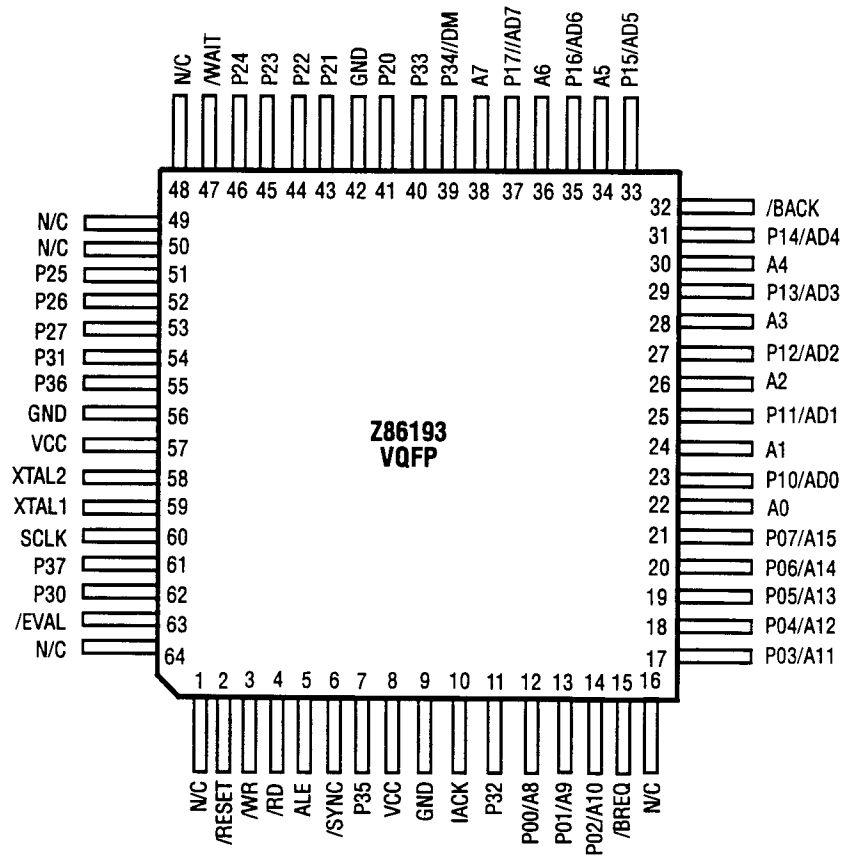
Connection	Circuit	Device
Power	V <sub>CC</sub>	V <sub>DD</sub>
Ground	GND	V <sub>SS</sub>

GENERAL DESCRIPTION (Continued)



Z86193 Functional Block Diagram

PIN CONFIGURATION



64-Pin VQFP Package

**ABSOLUTE MAXIMUM RATINGS**

Symbol	Description	Min	Max	Units
$V_{CC}$	Supply Voltage*	-0.3	+7.0	V
$T_{STG}$	Storage Temp	-65	+150	C
$T_A$	Oper Ambient Temp	†	†	C

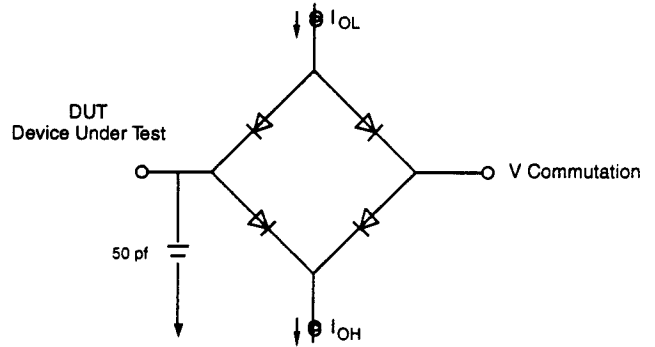
\* Voltages on all pins with respect to GND.

† See Ordering Information

Stress greater than those listed under Absolute Maximum Ratings may cause permanent damage to the device. This is a stress rating only; operation of the device at any condition above those indicated in the operational sections of these specifications is not implied. Exposure to absolute maximum rating conditions for an extended period may affect device reliability.

**STANDARD TEST CONDITIONS**

The characteristics listed below apply for standard test conditions as noted. All voltages are referenced to GND. Positive current flows into the referenced pin (Test Load Diagram).



**Test Load Diagram**

**DC ELECTRICAL CHARACTERISTICS**

VCC = 5.0V ± 10%

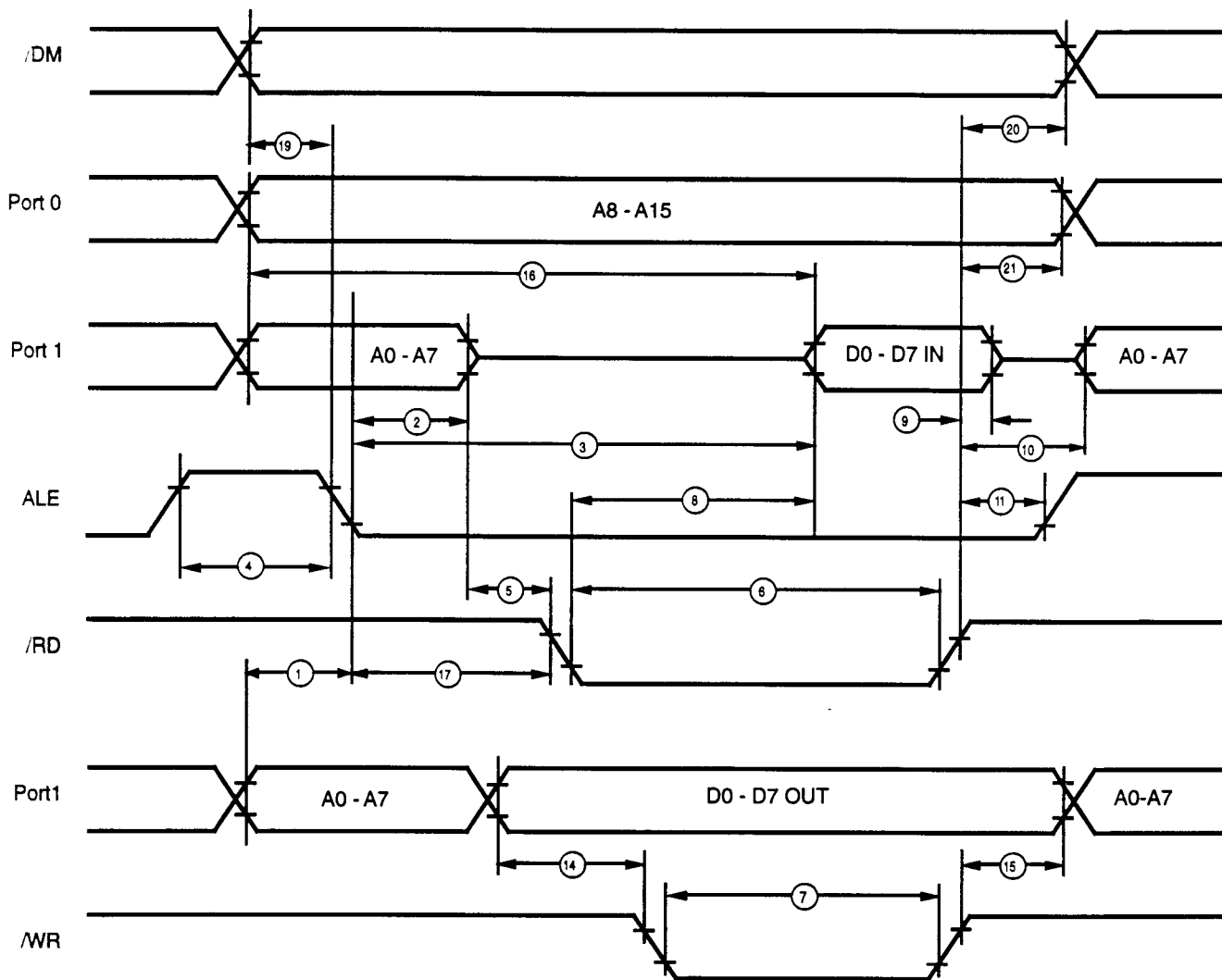
Sym	Parameter	T		Typical @ 25 °C	Units	Conditions
		<sup>A</sup> Min	°C to +70 Max			
	Max Input Voltage		7		V	I <sub>IN</sub> 250 µA
V <sub>CH</sub>	Clock Input High Voltage	3.8	V <sub>CC</sub>		V	Driven by External Clock Generator
V <sub>CL</sub>	Clock Input Low Voltage	-0.03	0.8		V	Driven by External Clock Generator
V <sub>PH</sub>	Input High Voltage (P0,P1,P2)	2.0	V <sub>CC</sub>		V	
V <sub>PH</sub>	Input High Voltage (P3)	2.2	V <sub>CC</sub>		V	
V <sub>PL</sub>	Input Low Voltage	-0.3	0.8		V	
V <sub>OH</sub>	Output High Voltage	2.4			V	I <sub>OH</sub> = -2.0 mA
V <sub>OH</sub>	Output High Voltage	V <sub>CC</sub> - 100mV			V	I <sub>OH</sub> = -100 µA
V <sub>OL</sub>	Output Low Voltage		0.4		V	I <sub>OL</sub> = + 4 mA
V <sub>RH</sub>	Reset Input High Voltage	3.8	V <sub>CC</sub>		V	
V <sub>RL</sub>	Reset Input Low Voltage	-0.03	0.8		V	
I <sub>IL</sub>	Input Leakage	-2	2		µA	Test at 0V, V <sub>CC</sub>
I <sub>OL</sub>	Output Leakage	-2	2		µA	Test at 0V, V <sub>CC</sub>
I <sub>IR</sub>	Reset Input Current		-180		µA	V <sub>RL</sub> = 0V
I <sub>CC</sub>	Supply Current		120	70	mA	@ 40 MHz [1]
I <sub>CC1</sub>	Standby Current (HALT Mode)		30	20	mA	HALT Mode V <sub>IN</sub> = 0V, V <sub>CC</sub> @ 40 MHz [1]
I <sub>CC2</sub>	Standby Current		20	6	µA	STOP Mode V <sub>IN</sub> = 0V, V <sub>CC</sub> [1]
I <sub>AL</sub>	Auto Latch Current	-16	16	5	µA	

**Note:**

- [1] All inputs driven to 0V, or V<sub>CC</sub> and outputs floating.  
 [2] Values are preliminary engineering estimates.

### AC CHARACTERISTICS

#### External Memory Read/Write Timing Diagram



External I/O or Memory Read/Write Timing Diagram

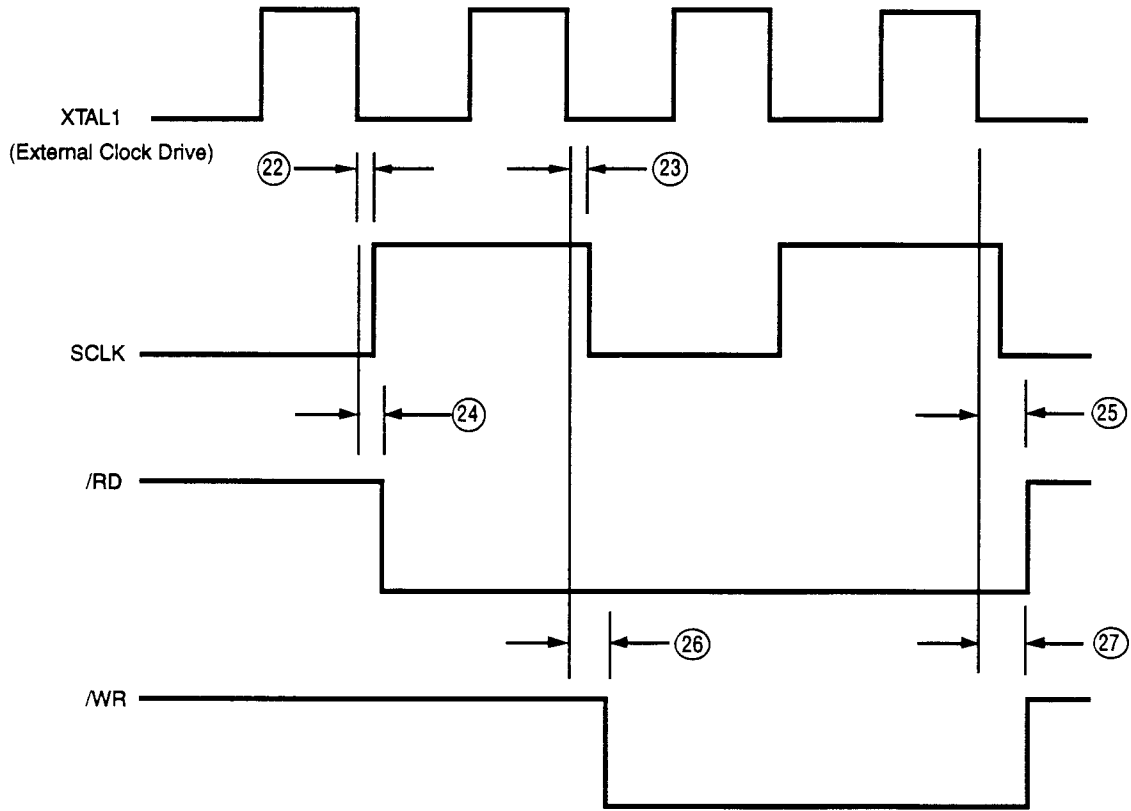
## AC CHARACTERISTICS

### External I/O or Memory Read/Write Timing Table

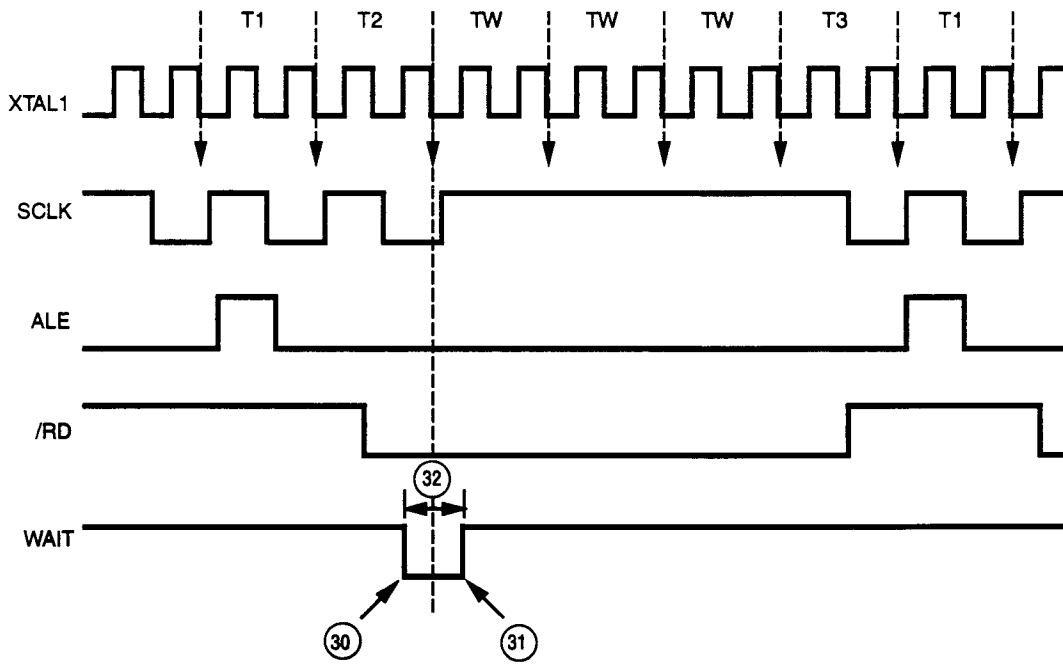
No	Sym	Parameter	Max	Max	Units
1	TdA(ALE)	Address Valid To ALE Fall Delay	8		ns
2	ThALE(A)	ALE Fall To Address Hold Time	15		ns
3	TdALE(DI)	ALE Fall To Data In Req'd Valid Delay		75	ns
4	TwALE	ALE HIGH Width	10		ns
5	TdAZ(RD)	Address Float To /RD Fall	0		ns
6	TwRD	/RD Low Width	60		ns
7	TwWR	/WR Low Width	35		ns
8	TdRD(DI)	/RD Fall To Data in Req'd Valid Delay		40	ns
9	ThRD(DI)	/RD Rise to Data In Hold Time	0		ns
10	TdRDWR(A)	/RD or /WR Rise To Address Active Delay	20		ns
11	TdRDWR(ALE)	/RD or /WR Rise To ALE Delay	16		ns
14	TdDO(WR)	Data Out To /WR Fall Delay	12		ns
15	ThWR(DO)	/WR Rise To Data Out Hold Time	12		ns
16	TdA(DI)	Address Valid To Data In Req'd Valid Delay		90	ns
17	TdALE(RD)	ALE Fall To /RD Fall Delay	20		ns
19	TdDM(ALE)	/DM Valid To ALE Fall Delay	10		ns
20	TdRDWR(DM)	/RD or /WR Rise To /DM Valid Delay	15		ns
21	ThRDWR(A)	/RD or /WR Rise To Adress Valid Hold Time	15		ns
22	TdXT(SCR)	XTAL Falling To SCLK Rising		30	ns
23	TdXT(SCF)	XTAL Falling To SCLK Falling		30	ns
24	TdXT(RDF)	XTAL Falling To /RD Falling		40	ns
25	TdXT(RDR)	XTAL Falling To /RD Rising		30	ns
26	TdXT(WRF)	XTAL Falling To/WR Falling		40	ns
27	TdXT(WRR)	XTAL Falling To/WR Rising		30	ns
28	TsW(XT)	Wait Set Up Time			ns
29	ThW(XT)	Wait Hold Time			ns
30	TsW	Wait Width (One Wait Time)			ns

**Notes:**

1. Values based on external clock drive with a clock frequency.
2. Values are preliminary and are to be characterized.
3. When using extended memory timing, add 2TpC.
4. Timing numbers are given for minimum TpC.



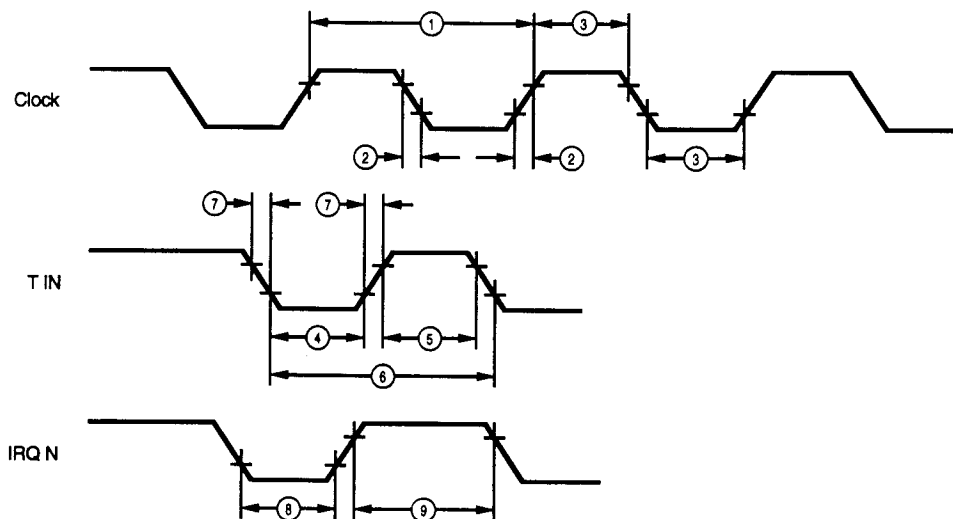
**XTAL/SCLK To DSR and DSW Timing**



**XTAL/SCLK To WAIT Timing**



**AC CHARACTERISTICS**  
Additional Timing Diagram



**Additional Timing**

**AC CHARACTERISTICS**  
Additional Timing Table

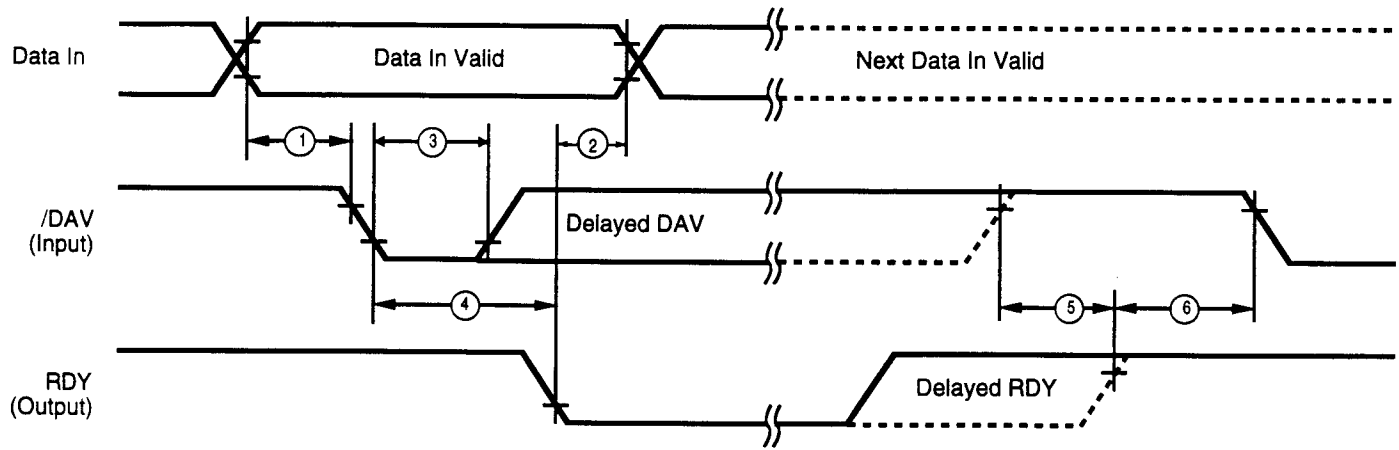
No	Symbol	Parameter	$T_A = 0^\circ\text{C to } +70^\circ\text{C}$ 40 MHz		Units	Notes
			Min	Max		
1	TpC	Input Clock Period	25	1000	ns	[1]
2	TrC,TfC	Clock Input Rise & Fall Times		4	ns	[1]
3	TwC	Input Clock Width	8		ns	[1]
4	TwTinL	Timer Input Low Width	75		ns	[2]
5	TwTinH	Timer Input High Width	3 TpC		ns	[2]
6	TpTin	Timer Input Period	8 TpC		ns	[2]
7	TrTin,TfTin	Timer Input Rise & Fall Times	100		ns	[2]
8A	TwIL	Interrupt Request Input Low Times	70		ns	[2,4]
8B	TwIL	Interrupt Request Input Low Times	5 TpC		ns	[2,5]
9	TwIH	Interrupt Request Input High Times	3 TpC		ns	[2,3]

**Notes:**

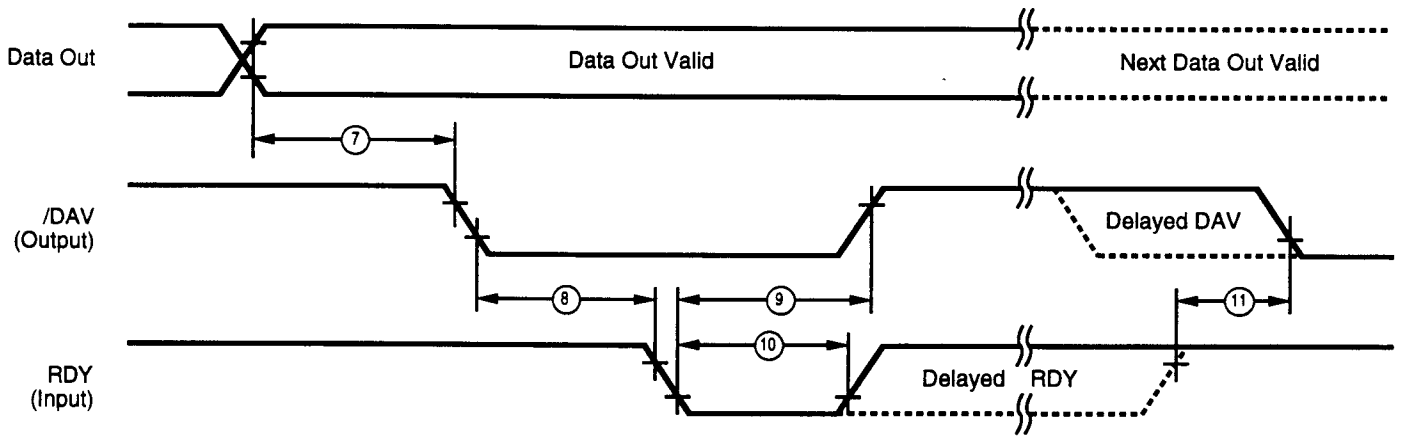
- [1] Clock timing references use 3.8V for a logic 1 and 0.8V for a logic 0.
- [2] Timing references use 2.0V for a logic 1 and 0.8V for a logic 0.
- [3] Interrupt references request through Port 3.
- [4] Interrupt request through Port 3 (P33-P31).
- [5] Interrupt request through Port 30.

### AC CHARACTERISTICS

#### Handshake Timing Diagrams



**Input Handshake Timing**



**Output Handshake Timing**

**AC CHARACTERISTICS**  
Handshake Timing Table

Direction	No	Symbol	T Parameter	°C		Max	Data Units
				$T_A = 0$ Min	+70 °C		
	1	TsDI(DAV)	Data In Setup Time to /DAV	0		ns	In
	2	ThDI(DAV)	RDY to Data In Hold Time	0		ns	In
	3	TwDAV	/DAV Width	80		ns	In
	4	TdDAVIf(RDYf)	/DAV to RDY Delay		120	ns	In
	5	TdDAVr(RDYr)	DAV Rise to RDY Wait Time		40	ns	In
	6	TdRDYOr(DAVIf)	RDY Rise to DAV Delay	0		ns	In
	7	TdDO(DAV)	Data Out to DAV Delay		TpC	ns	Out
	8	TdDAVOf(RDYIf)	/DAV to RDY Delay	0		ns	Out
	9	TdRDYIf(DAVOr)	RDY to /DAV Rise Delay		120	ns	Out
	10	TwRDY	RDY Width	80		ns	Out
	11	TdRDYr(DAVOf)	RDY Rise to DAV Wait Time		40	ns	Out

**Pre-Characterization Product:**

The product represented by this CPS is newly introduced and Zilog has not completed the full characterization of the product. The CPS states what Zilog knows about this product at this time, but additional features or non-conformance with some aspects of the CPS may be

found, either by Zilog or its customers in the course of further application and characterization work. In addition, Zilog cautions that delivery may be uncertain at times, due to start-up yield issues.

**Low Margin:**

Customer is advised that since this is a Preliminary CPS, this product does not meet Zilog's internal guardbanded test policies for the specification requested and is supplied on an exception basis. Customer is cautioned that delivery may be uncertain and that, in addition to all other

limitations on Zilog liability stated on the front and back of the acknowledgement, Zilog makes no claim as to quality and reliability under the CPS. The product remains subject to standard warranty for replacement due to defects in materials and workmanship.

© 1995 by Zilog, Inc. All rights reserved. No part of this document may be copied or reproduced in any form or by any means without the prior written consent of Zilog, Inc. The information in this document is subject to change without notice. Devices sold by Zilog, Inc. are covered by warranty and patent indemnification provisions appearing in Zilog, Inc. Terms and Conditions of Sale only. Zilog, Inc. makes no warranty, express, statutory, implied or by description, regarding the information set forth herein or regarding the freedom of the described devices from intellectual property infringement. Zilog, Inc. makes no warranty of merchantability or fitness for any purpose. Zilog, Inc. shall not be responsible for any errors that may appear in this document. Zilog, Inc. makes no commitment to update or keep current the information contained in this document.

Zilog's products are not authorized for use as critical components in life support devices or systems unless a specific written agreement pertaining to such intended use is executed between the customer and Zilog prior to use. Life support devices or systems are those which are intended for surgical implantation into the body, or which sustains life whose failure to perform, when properly used in accordance with instructions for use provided in the labeling, can be reasonably expected to result in significant injury to the user.

**Zilog, Inc. 210 East Hacienda Ave.  
Campbell, CA 95008-6600  
Telephone (408) 370-8000  
Telex 910-338-7621  
FAX 408 370-8056**



Компания «ЭлектроПласт» предлагает заключение долгосрочных отношений при поставках импортных электронных компонентов на взаимовыгодных условиях!

Наши преимущества:

- Оперативные поставки широкого спектра электронных компонентов отечественного и импортного производства напрямую от производителей и с крупнейших мировых складов;
- Поставка более 17-ти миллионов наименований электронных компонентов;
- Поставка сложных, дефицитных, либо снятых с производства позиций;
- Оперативные сроки поставки под заказ (от 5 рабочих дней);
- Экспресс доставка в любую точку России;
- Техническая поддержка проекта, помощь в подборе аналогов, поставка прототипов;
- Система менеджмента качества сертифицирована по Международному стандарту ISO 9001;
- Лицензия ФСБ на осуществление работ с использованием сведений, составляющих государственную тайну;
- Поставка специализированных компонентов (Xilinx, Altera, Analog Devices, Intersil, Interpoint, Microsemi, Aeroflex, Peregrine, Syfer, Eurofarad, Texas Instrument, Miteq, Cobham, E2V, MA-COM, Hittite, Mini-Circuits, General Dynamics и др.);

Помимо этого, одним из направлений компании «ЭлектроПласт» является направление «Источники питания». Мы предлагаем Вам помощь Конструкторского отдела:

- Подбор оптимального решения, техническое обоснование при выборе компонента;
- Подбор аналогов;
- Консультации по применению компонента;
- Поставка образцов и прототипов;
- Техническая поддержка проекта;
- Защита от снятия компонента с производства.



#### Как с нами связаться

**Телефон:** 8 (812) 309 58 32 (многоканальный)

**Факс:** 8 (812) 320-02-42

**Электронная почта:** [org@eplast1.ru](mailto:org@eplast1.ru)

**Адрес:** 198099, г. Санкт-Петербург, ул. Калинина, дом 2, корпус 4, литера А.