

## FEATURES

- 1.8 V to 5.5 V single supply
- $\pm 2.5$  V dual supply
- 3  $\Omega$  on resistance
- 0.75  $\Omega$  on resistance flatness
- 100 pA leakage currents
- 14 ns switching times
- Single 8-to-1 multiplexer ADG708
- Differential 4-to-1 multiplexer ADG709
- 16-lead TSSOP package
- Low power consumption
- TTL-/CMOS-compatible inputs
- Qualified for automotive applications

## APPLICATIONS

- Data acquisition systems
- Communication systems
- Relay replacement
- Audio and video switching
- Battery-powered systems

## GENERAL DESCRIPTION

The ADG708/ADG709 are low voltage, CMOS analog multiplexers comprising eight single channels and four differential channels, respectively. The ADG708 switches one of eight inputs (S1 to S8) to a common output, D, as determined by the 3-bit binary address lines A0, A1, and A2. The ADG709 switches one of four differential inputs to a common differential output as determined by the 2-bit binary address lines A0 and A1. An EN input on both devices is used to enable or disable the device. When disabled, all channels are switched off.

Low power consumption and an operating supply range of 1.8 V to 5.5 V make the ADG708/ADG709 ideal for battery-powered, portable instruments. All channels exhibit break-before-make switching action preventing momentary shorting when switching channels.

These switches are designed on an enhanced submicron process that provides low power dissipation yet gives high switching speed, very low on resistance, and leakage currents.

On resistance is in the region of a few ohms and is closely matched between switches and very flat over the full signal range. These parts can operate equally well as either multiplexers or demultiplexers and have an input signal range that extends to the supplies.

The ADG708/ADG709 are available in a 16-lead TSSOP.

### Rev. D

### Document Feedback

Information furnished by Analog Devices is believed to be accurate and reliable. However, no responsibility is assumed by Analog Devices for its use, nor for any infringements of patents or other rights of third parties that may result from its use. Specifications subject to change without notice. No license is granted by implication or otherwise under any patent or patent rights of Analog Devices. Trademarks and registered trademarks are the property of their respective owners.

## FUNCTIONAL BLOCK DIAGRAMS

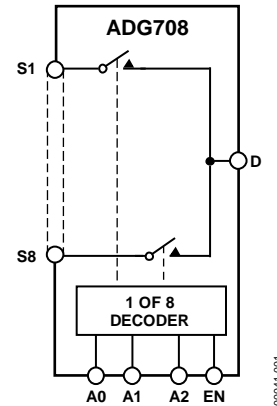


Figure 1.

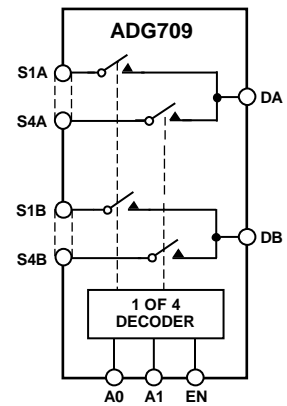


Figure 2.

## PRODUCT HIGHLIGHTS

1. Single-/dual-supply operation. The ADG708/ADG709 are fully specified and guaranteed with 3 V and 5 V single-supply and  $\pm 2.5$  V dual-supply rails.
2. Low  $R_{ON}$  (3  $\Omega$  typical).
3. Low power consumption (<0.01  $\mu$ W).
4. Guaranteed break-before-make switching action.
5. Small 16-lead TSSOP package.

**TABLE OF CONTENTS**

Features .....	1	Truth Tables.....	11
Applications.....	1	Typical Performance Characteristics.....	12
General Description .....	1	Test Circuits.....	15
Functional Block Diagrams .....	1	Terminology.....	18
Product Highlights .....	1	Applications Information.....	19
Revision History.....	2	Power Supply Sequencing.....	19
Specifications.....	3	Outline Dimensions .....	20
Dual Supply .....	7	Ordering Guide .....	20
Absolute Maximum Ratings .....	9	Automotive Products.....	20
ESD Caution.....	9		
Pin Configurations and Function Descriptions.....	10		

**REVISION HISTORY**

**1/13–Rev. C to Rev. D**

Changes to Ordering Guide.....	20
--------------------------------	----

**4/09–Rev. B to Rev. C**

Changes to Table 1.....	3
Changes to Table 2.....	5
Changes to Table 3.....	7
Moved Truth Tables Section .....	11
Changes to Figure 7, Figure 8, and Figure 9.....	12
Changes to Figure 13 and Figure 14.....	13
Moved Terminology Section.....	18
Changes to Ordering Guide.....	20

**8/06–Rev. A to Rev. B**

Updated Format .....	Universal
Changes to Absolute Maximum Ratings Section.....	9
Added Table 7 and Table 8.....	10
Updated Outline Dimensions.....	18
Changes to Ordering Guide.....	18

**4/02—Rev. 0 to Rev. A**

Edits to Features and Product Highlights.....	1
Change to Specifications .....	2–4
Edits to Absolute Maximum Ratings Notes.....	5
Edits to TPCs 2, 5, 6–9, 11, and 15 .....	7–9
Edits to Test Circuits 9 and 10.....	11
Addition of Test Circuit 11 .....	11

**10/00—Revision 0: Initial Version**

## SPECIFICATIONS

$V_{DD} = 5\text{ V} \pm 10\%$ ,  $V_{SS} = 0\text{ V}$ ,  $GND = 0\text{ V}$ , unless otherwise noted.

Table 1.

Parameter	B Version			C Version			Unit	Test Conditions/ Comments
	+25°C	-40°C to +85°C	-40°C to +125°C	+25°C	-40°C to +85°C	-40°C to +125°C		
ANALOG SWITCH								
Analog Signal Range		0 V to $V_{DD}$	0 V to $V_{DD}$			0 V to $V_{DD}$	V	
On Resistance ( $R_{ON}$ )	3			3			$\Omega$ typ	$V_S = 0\text{ V to }V_{DD}$ , $I_{DS} = 10\text{ mA}$ ; see Figure 20
On Resistance Match Between Channels ( $\Delta R_{ON}$ )	4.5 0.4	5 7	7	4.5 0.4	5 7	7	$\Omega$ max $\Omega$ typ	
On Resistance Flatness ( $R_{FLAT(ON)}$ )	0.75	0.8	1.5	0.75	0.8	1.5	$\Omega$ max $\Omega$ typ	$V_S = 0\text{ V to }V_{DD}$ , $I_{DS} = 10\text{ mA}$ $V_S = 0\text{ V to }V_{DD}$ , $I_{DS} = 10\text{ mA}$
		1.2	1.65		1.2	1.65	$\Omega$ max	
LEAKAGE CURRENTS								
Source Off Leakage, $I_S$ (Off)	$\pm 0.01$			$\pm 0.01$			nA typ	$V_{DD} = 5.5\text{ V}$ $V_D = 4.5\text{ V}/1\text{ V}$ , $V_S = 1\text{ V}/4.5\text{ V}$ ; see Figure 21
Drain Off Leakage, $I_D$ (Off)	$\pm 0.01$	$\pm 20$	$\pm 20$	$\pm 0.1$ $\pm 0.01$	$\pm 0.3$	$\pm 1$	nA max nA typ	$V_D = 4.5\text{ V}/1\text{ V}$ , $V_S = 1\text{ V}/4.5\text{ V}$ ; see Figure 22
Channel On Leakage, $I_D$ , $I_S$ (On)	$\pm 0.01$	$\pm 20$	$\pm 20$	$\pm 0.1$ $\pm 0.01$	$\pm 0.75$	$\pm 6$	nA max nA typ	$V_D = V_S = 1\text{ V or }4.5\text{ V}$ ; see Figure 23
		$\pm 20$	$\pm 20$	$\pm 0.1$	$\pm 0.75$	$\pm 6$	nA max	
DIGITAL INPUTS								
Input High Voltage, $V_{INH}$			2.4			2.4	V min	
Input Low Voltage, $V_{INL}$			0.8			0.8	V max	
Input Current $I_{INL}$ or $I_{INH}$	0.005		$\pm 0.1$	0.005		$\pm 0.1$	$\mu\text{A}$ typ $\mu\text{A}$ max	$V_{IN} = V_{INL}$ or $V_{INH}$
Digital Input Capacitance, $C_{IN}$	2			2			pF typ	
DYNAMIC CHARACTERISTICS <sup>1</sup>								
$t_{TRANSITION}$	14			14			ns typ	$R_L = 300\ \Omega$ , $C_L = 35\text{ pF}$ ; see Figure 24
Break-Before-Make Time Delay, $t_{OPEN}$	8	25	25	8	25	25	ns max ns typ	$V_{S1} = 3\text{ V}/0\text{ V}$ , $V_{S8} = 0\text{ V}/3\text{ V}$ $R_L = 300\ \Omega$ , $C_L = 35\text{ pF}$
$t_{ON}$ (EN)	14	1	1	14	1	1	ns min ns typ	$V_S = 3\text{ V}$ ; see Figure 25 $R_L = 300\ \Omega$ , $C_L = 35\text{ pF}$
$t_{OFF}$ (EN)	7	25	25	7	25	25	ns max ns typ	$V_S = 3\text{ V}$ ; see Figure 26 $R_L = 300\ \Omega$ , $C_L = 35\text{ pF}$
Charge Injection	$\pm 3$	12	12	$\pm 3$	12	12	ns max pC typ	$V_S = 3\text{ V}$ ; see Figure 26 $V_S = 2.5\text{ V}$ , $R_S = 0\ \Omega$ , $C_L = 1\text{ nF}$ ; See Figure 27
Off Isolation	-60 -80			-60 -80			dB typ dB typ	$R_L = 50\ \Omega$ , $C_L = 5\text{ pF}$ , $f = 10\text{ MHz}$ $R_L = 50\ \Omega$ , $C_L = 5\text{ pF}$ , $f = 1\text{ MHz}$ ; see Figure 28

Parameter	B Version			C Version			Unit	Test Conditions/ Comments
	+25°C	-40°C to +85°C	-40°C to +125°C	+25°C	-40°C to +85°C	-40°C to +125°C		
Channel-to-Channel Crosstalk	-60			-60			dB typ	$R_L = 50 \Omega$ , $C_L = 5 \text{ pF}$ , $f = 10 \text{ MHz}$
	-80			-80			dB typ	$R_L = 50 \Omega$ , $C_L = 5 \text{ pF}$ , $f = 1 \text{ MHz}$ ; see Figure 29
-3 dB Bandwidth	55			55			MHz typ	$R_L = 50 \Omega$ , $C_L = 5 \text{ pF}$ ; see Figure 30
$C_S$ (Off)	13			13			pF typ	$f = 1 \text{ MHz}$
$C_D$ (Off)								
ADG708	85			85			pF typ	$f = 1 \text{ MHz}$
ADG709	42			42			pF typ	$f = 1 \text{ MHz}$
$C_D$ , $C_S$ (On)								
ADG708	96			96			pF typ	$f = 1 \text{ MHz}$
ADG709	48			48			pF typ	$f = 1 \text{ MHz}$
POWER REQUIREMENTS								$V_{DD} = 5.5 \text{ V}$
$I_{DD}$	0.001			0.001			$\mu\text{A typ}$	Digital inputs = 0 V or 5.5 V
		1.0	1.0		1.0	1.0	$\mu\text{A max}$	

<sup>1</sup> Guaranteed by design, not subject to production test.

$V_{DD} = 3\text{ V} \pm 10\%$ ,  $V_{SS} = 0\text{ V}$ ,  $GND = 0\text{ V}$ , unless otherwise noted.

Table 2.

Parameter	B Version			C Version			Unit	Test Conditions/ Comments
	+25°C	-40°C to +85°C	-40°C to +125°C	+25°C	-40°C to +85°C	-40°C to +125°C		
ANALOG SWITCH								
Analog Signal Range			0 V to $V_{DD}$			0 V to $V_{DD}$	V	
On Resistance ( $R_{ON}$ )	8			8			$\Omega$ typ	$V_S = 0\text{ V to } V_{DD}$ , $I_{DS} = 10\text{ mA}$ ; see Figure 20
On Resistance Match Between Channels ( $\Delta R_{ON}$ )	11	12	14	11	12	14	$\Omega$ max	$V_S = 0\text{ V to } V_{DD}$ , $I_{DS} = 10\text{ mA}$
	0.4			0.4			$\Omega$ typ	
		1.2	2		1.2	2	$\Omega$ max	
LEAKAGE CURRENTS								
Source Off Leakage, $I_S$ (Off)	$\pm 0.01$			$\pm 0.01$			nA typ	$V_{DD} = 3.3\text{ V}$ $V_S = 3\text{ V}/1\text{ V}$ , $V_D = 1\text{ V}/3\text{ V}$ ; see Figure 21
Drain Off Leakage, $I_D$ (Off)	$\pm 0.01$	$\pm 20$	$\pm 20$	$\pm 0.1$	$\pm 0.3$	$\pm 1$	nA max nA typ	$V_S = 3\text{ V}/1\text{ V}$ , $V_D = 1\text{ V}/3\text{ V}$ ; see Figure 22
		$\pm 20$	$\pm 20$	$\pm 0.1$	$\pm 0.75$	$\pm 6$	nA max nA typ	
Channel On Leakage, $I_D, I_S$ (On)	$\pm 0.01$			$\pm 0.01$			nA max nA typ	$V_S = V_D = 1\text{ V or } 3\text{ V}$ ; see Figure 23
		$\pm 20$	$\pm 20$	$\pm 0.1$	$\pm 0.75$	$\pm 6$	nA max	
DIGITAL INPUTS								
Input High Voltage, $V_{INH}$			2.0			2.0	V min	$V_{IN} = V_{INL}$ or $V_{INH}$
Input Low Voltage, $V_{INL}$			0.8			0.8	V max	
Input Current $I_{INL}$ or $I_{INH}$	0.005			0.005			$\mu\text{A}$ typ $\mu\text{A}$ max	
Digital Input Capacitance, $C_{IN}$	2		$\pm 0.1$	2		$\pm 0.1$	pF typ	
DYNAMIC CHARACTERISTICS <sup>1</sup>								
$t_{TRANSITION}$	18			18			ns typ	$R_L = 300\ \Omega$ , $C_L = 35\text{ pF}$ ; see Figure 24
Break-Before-Make Time Delay, $t_{OPEN}$	8	30	30	8	30	30	ns max ns typ	$V_{S1} = 2\text{ V}/0\text{ V}$ , $V_{S2} = 0\text{ V}/2\text{ V}$ $R_L = 300\ \Omega$ , $C_L = 35\text{ pF}$
		1	1		1	1	ns min ns typ	$V_S = 2\text{ V}$ ; see Figure 25 $R_L = 300\ \Omega$ , $C_L = 35\text{ pF}$
$t_{ON}$ (EN)	18	30	30	18	30	30	ns max	$V_S = 2\text{ V}$ ; see Figure 26
$t_{OFF}$ (EN)	8			8			ns typ	$R_L = 300\ \Omega$ , $C_L = 35\text{ pF}$
		15	15		15	15	ns max	$V_S = 2\text{ V}$ ; see Figure 26
Charge Injection	$\pm 3$			$\pm 3$			pC typ	$V_S = 1.5\text{ V}$ , $R_S = 0\ \Omega$ , $C_L = 1\text{ nF}$ ; see Figure 27
Off Isolation	-60			-60			dB typ	$R_L = 50\ \Omega$ , $C_L = 5\text{ pF}$ , $f = 10\text{ MHz}$
	-80			-80			dB typ	$R_L = 50\ \Omega$ , $C_L = 5\text{ pF}$ , $f = 1\text{ MHz}$ ; see Figure 28
Channel-to-Channel Crosstalk	-60			-60			dB typ	$R_L = 50\ \Omega$ , $C_L = 5\text{ pF}$ , $f = 10\text{ MHz}$
	-80			-80			dB typ	$R_L = 50\ \Omega$ , $C_L = 5\text{ pF}$ , $f = 1\text{ MHz}$ ; see Figure 29
-3 dB Bandwidth	55			55			MHz typ	$R_L = 50\ \Omega$ , $C_L = 5\text{ pF}$ ; see Figure 30

Parameter	B Version			C Version			Unit	Test Conditions/ Comments
	+25°C	-40°C to +85°C	-40°C to +125°C	+25°C	-40°C to +85°C	-40°C to +125°C		
C <sub>S</sub> (Off)	13			13			pF typ	f = 1 MHz
C <sub>D</sub> (Off)								
ADG708	85			85			pF typ	f = 1 MHz
ADG709	42			42			pF typ	f = 1 MHz
C <sub>D</sub> , C <sub>S</sub> (On)								
ADG708	96			96			pF typ	f = 1 MHz
ADG709	48			48			pF typ	f = 1 MHz
POWER REQUIREMENTS								V <sub>DD</sub> = 3.3 V
I <sub>DD</sub>	0.001			0.001			μA typ	Digital inputs = 0 V or 3.3 V
		1.0	1.0		1.0	1.0	μA max	

<sup>1</sup> Guaranteed by design, not subject to production test.

**DUAL SUPPLY**

$V_{DD} = 2.5 \text{ V} \pm 10\%$ ,  $V_{SS} = -2.5 \text{ V} \pm 10\%$ ,  $GND = 0 \text{ V}$ , unless otherwise noted.

**Table 3.**

Parameter	B Version			C Version			Unit	Test Conditions/ Comments
	+25°C	-40°C to +85°C	-40°C to +125°C	+25°C	-40°C to +85°C	-40°C to +125°C		
<b>ANALOG SWITCH</b>								
Analog Signal Range			$V_{SS}$ to $V_{DD}$			$V_{SS}$ to $V_{DD}$	V	$V_S = V_{SS}$ to $V_{DD}$ , $I_{DS} = 10 \text{ mA}$ ; see Figure 20
On Resistance ( $R_{ON}$ )	2.5			2.5			$\Omega$ typ	
On Resistance Match Between Channels ( $\Delta R_{ON}$ )	4.5	5	7	4.5	5	7	$\Omega$ max	$V_S = V_{SS}$ to $V_{DD}$ , $I_{DS} = 10 \text{ mA}$ $V_S = V_{SS}$ to $V_{DD}$ , $I_{DS} = 10 \text{ mA}$
	0.4			0.4			$\Omega$ typ	
On Resistance Flatness ( $R_{FLAT(ON)}$ )		0.8	1.5		0.8	1.5	$\Omega$ max	$V_S = V_{SS}$ to $V_{DD}$ , $I_{DS} = 10 \text{ mA}$ $V_S = V_{SS}$ to $V_{DD}$ , $I_{DS} = 10 \text{ mA}$
	0.6			0.6			$\Omega$ typ	
		1.0	1.65		1.0	1.65	$\Omega$ max	
<b>LEAKAGE CURRENTS</b>								
Source Off Leakage, $I_S$ (Off)	$\pm 0.01$			$\pm 0.01$			nA typ	$V_{DD} = +2.75 \text{ V}$ , $V_{SS} = -2.75 \text{ V}$ $V_S = +2.25 \text{ V}/-1.25 \text{ V}$ , $V_D = -1.25 \text{ V}/+2.25 \text{ V}$ ; see Figure 21
Drain Off Leakage, $I_D$ (Off)	$\pm 0.01$	$\pm 20$	$\pm 20$	$\pm 0.1$	$\pm 0.3$	$\pm 1$	nA max	
				$\pm 0.01$			nA typ	$V_S = +2.25 \text{ V}/-1.25 \text{ V}$ , $V_D = -1.25 \text{ V}/+2.25 \text{ V}$ ; see Figure 22
Channel On Leakage, $I_{D, I_S}$ (On)	$\pm 0.01$	$\pm 20$	$\pm 20$	$\pm 0.1$	$\pm 0.75$	$\pm 6$	nA max	$V_S = V_D = +2.25 \text{ V}/-1.25 \text{ V}$ ; see Figure 23
				$\pm 0.01$			nA typ	
		$\pm 20$	$\pm 20$	$\pm 0.1$	$\pm 0.75$	$\pm 6$	nA max	
<b>DIGITAL INPUTS</b>								
Input High Voltage, $V_{INH}$			1.7			1.7	V min	$V_{IN} = V_{INL}$ or $V_{INH}$
Input Low Voltage, $V_{INL}$			0.7			0.7	V max	
Input Current								
$I_{INL}$ or $I_{INH}$	0.005		$\pm 0.1$	0.005		$\pm 0.1$	$\mu\text{A}$ typ $\mu\text{A}$ max	
Digital Input Capacitance, $C_{IN}$	2			2			pF typ	
<b>DYNAMIC CHARACTERISTICS<sup>1</sup></b>								
$t_{TRANSITION}$	14			14			ns typ	$R_L = 300 \Omega$ , $C_L = 35 \text{ pF}$ ; see Figure 24
Break-Before-Make Time Delay, $t_{OPEN}$	8	25	25	8	25	25	ns max	
							ns typ	$V_S = 1.5 \text{ V}/0 \text{ V}$ ; see Figure 24 $R_L = 300 \Omega$ , $C_L = 35 \text{ pF}$
$t_{ON}$ (EN)	14	1	1	14	1	1	ns min	$V_S = 1.5 \text{ V}$ ; see Figure 25 $R_L = 300 \Omega$ , $C_L = 35 \text{ pF}$
							ns typ	
$t_{OFF}$ (EN)	8	25	25	8	25	25	ns max	$V_S = 1.5 \text{ V}$ ; see Figure 26 $R_L = 300 \Omega$ , $C_L = 35 \text{ pF}$
							ns typ	
Charge Injection	$\pm 3$	15	15	$\pm 3$	15	15	ns max	$V_S = 1.5 \text{ V}$ ; see Figure 26 $V_S = 0 \text{ V}$ , $R_S = 0 \Omega$ , $C_L = 1 \text{ nF}$ ; see Figure 27
							pC typ	
Off Isolation	-60			-60			dB typ	$R_L = 50 \Omega$ , $C_L = 5 \text{ pF}$ , $f = 10 \text{ MHz}$
	-80			-80			dB typ	
								$R_L = 50 \Omega$ , $C_L = 5 \text{ pF}$ , $f = 1 \text{ MHz}$ ; see Figure 28

Parameter	B Version			C Version			Unit	Test Conditions/ Comments
	+25°C	-40°C to +85°C	-40°C to +125°C	+25°C	-40°C to +85°C	-40°C to +125°C		
Channel-to-Channel Crosstalk	-60			-60			dB typ	$R_L = 50\ \Omega$ , $C_L = 5\ \text{pF}$ , $f = 10\ \text{MHz}$
	-80			-80			dB typ	$R_L = 50\ \Omega$ , $C_L = 5\ \text{pF}$ , $f = 1\ \text{MHz}$ ; see Figure 29
-3 dB Bandwidth	55			55			MHz typ	$R_L = 50\ \Omega$ , $C_L = 5\ \text{pF}$ ; see Figure 30
$C_S$ (Off)	13			13			pF typ	$f = 1\ \text{MHz}$
$C_D$ (Off)								
ADG708	85			85			pF typ	$f = 1\ \text{MHz}$
ADG709	42			42			pF typ	$f = 1\ \text{MHz}$
$C_D$ , $C_S$ (On)								
ADG708	96			96			pF typ	$f = 1\ \text{MHz}$
ADG709	48			48			pF typ	$f = 1\ \text{MHz}$
POWER REQUIREMENTS								
$I_{DD}$	0.001			0.001			$\mu\text{A typ}$	$V_{DD} = 2.75\ \text{V}$
		1.0	1.0		1.0	1.0	$\mu\text{A max}$	Digital inputs = 0V or 2.75V
$I_{SS}$	0.001			0.001			$\mu\text{A typ}$	$V_{SS} = -2.75\ \text{V}$
		1.0	1.0		1.0	1.0	$\mu\text{A max}$	Digital inputs = 0V or 2.75V

<sup>1</sup> Guaranteed by design not subject to production test.



## ABSOLUTE MAXIMUM RATINGS

$T_A = 25^\circ\text{C}$ , unless otherwise noted.

**Table 4.**

Parameter	Rating
$V_{DD}$ to $V_{SS}$	7 V
$V_{DD}$ to GND	-0.3 V to +7 V
$V_{SS}$ to GND	+0.3 V to -3.5 V
Analog Inputs <sup>1</sup>	$V_{SS} - 0.3\text{ V}$ to $V_{DD} + 0.3\text{ V}$ or 30 mA, whichever occurs first
Digital Inputs <sup>1</sup>	-0.3 V to $V_{DD} + 0.3\text{ V}$ or 30 mA, whichever occurs first
Peak Current, S or D (Pulsed at 1 ms, 10% Duty Cycle Maximum)	100 mA
Continuous Current, S or D	30 mA
Operating Temperature	
Industrial Temperature Range	-40°C to +125°C
Storage Temperature Range	-65°C to +150°C
Junction Temperature	150°C
TSSOP Package, Power Dissipation	432 mW
$\theta_{JA}$ Thermal Impedance	150.4°C/W
$\theta_{JC}$ Thermal Impedance	27.6°C/W
Lead Temperature, Soldering	
Vapor Phase (60 sec)	215°C
Infrared (15 sec)	220°C

<sup>1</sup> Overvoltages at A, EN, S, or D are clamped by internal codes. Current should be limited to the maximum ratings given.

Stresses above those listed under Absolute Maximum Ratings may cause permanent damage to the device. This is a stress rating only; functional operation of the device at these or any other conditions above those indicated in the operational section of this specification is not implied. Exposure to absolute maximum rating conditions for extended periods may affect device reliability.

Only one absolute maximum rating can be applied at any one time.

### ESD CAUTION



**ESD (electrostatic discharge) sensitive device.** Charged devices and circuit boards can discharge without detection. Although this product features patented or proprietary protection circuitry, damage may occur on devices subjected to high energy ESD. Therefore, proper ESD precautions should be taken to avoid performance degradation or loss of functionality.

## PIN CONFIGURATIONS AND FUNCTION DESCRIPTIONS

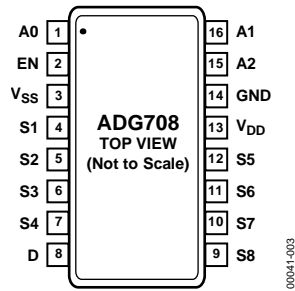


Figure 3. ADG708 Pin Configuration

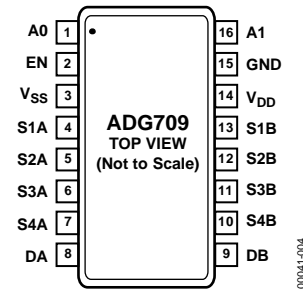


Figure 4. ADG709 Pin Configuration

Table 5. ADG708 Pin Function Descriptions

Pin No.	Mnemonic	Description
1	A0	Digital Input. Controls the configuration of the switch, as shown in the truth table (see Table 7).
2	EN	Digital Input. Controls the configuration of the switch, as shown in the truth table (see Table 7).
3	V <sub>SS</sub>	Most Negative Power Supply Pin in Dual-Supply Applications. For single-supply applications, it should be tied to GND.
4	S1	Source Terminal. Can be an input or output.
5	S2	Source Terminal. Can be an input or output.
6	S3	Source Terminal. Can be an input or output.
7	S4	Source Terminal. Can be an input or output.
8	D	Drain Terminal. Can be an input or output.
9	S8	Source Terminal. Can be an input or output.
10	S7	Source Terminal. Can be an input or output.
11	S6	Source Terminal. Can be an input or output.
12	S5	Source Terminal. Can be an input or output.
13	V <sub>DD</sub>	Most Positive Power Supply Pin.
14	GND	Ground (0 V) Reference.
15	A2	Digital Input. Controls the configuration of the switch, as shown in the truth table (see Table 7).
16	A1	Digital Input. Controls the configuration of the switch, as shown in the truth table (see Table 7).

Table 6. ADG709 Pin Function Descriptions

Pin No.	Mnemonic	Description
1	A0	Digital Input. Controls the configuration of the switch, as shown in the truth table (see Table 8).
2	EN	Digital Input. Controls the configuration of the switch, as shown in the truth table (see Table 8).
3	V <sub>SS</sub>	Most Negative Power Supply Pin in Dual-Supply Applications. For single-supply applications, it should be tied to GND.
4	S1A	Source Terminal. Can be an input or output.
5	S2A	Source Terminal. Can be an input or output.
6	S3A	Source Terminal. Can be an input or output.
7	S4A	Source Terminal. Can be an input or output.
8	DA	Drain Terminal. Can be an input or output.
9	DB	Drain Terminal. Can be an input or output.
10	S4B	Source Terminal. Can be an input or output.
11	S3B	Source Terminal. Can be an input or output.
12	S2B	Source Terminal. Can be an input or output.
13	S1B	Source Terminal. Can be an input or output.
14	V <sub>DD</sub>	Most Positive Power Supply Pin.
15	GND	Ground (0 V) Reference.
16	A1	Digital Input. Controls the configuration of the switch, as shown in the truth table (see Table 8).

**TRUTH TABLES**

Table 7. ADG708 Truth Table

A2	A1	A0	EN	Switch Condition
X <sup>1</sup>	X <sup>1</sup>	X <sup>1</sup>	0	None
0	0	0	1	1
0	0	1	1	2
0	1	0	1	3
0	1	1	1	4
1	0	0	1	5
1	0	1	1	6
1	1	0	1	7
1	1	1	1	8

<sup>1</sup> X = Don't care.

Table 8. ADG709 Truth Table

A1	A0	EN	On Switch Pair
X <sup>1</sup>	X <sup>1</sup>	0	None
0	0	1	1
0	1	1	2
1	0	1	3
1	1	1	4

<sup>1</sup> X = Don't care.

TYPICAL PERFORMANCE CHARACTERISTICS

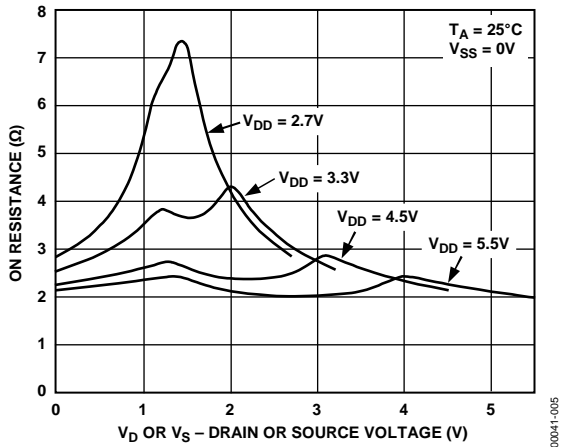


Figure 5. On Resistance as a Function of  $V_D$  ( $V_S$ ) for Single Supply

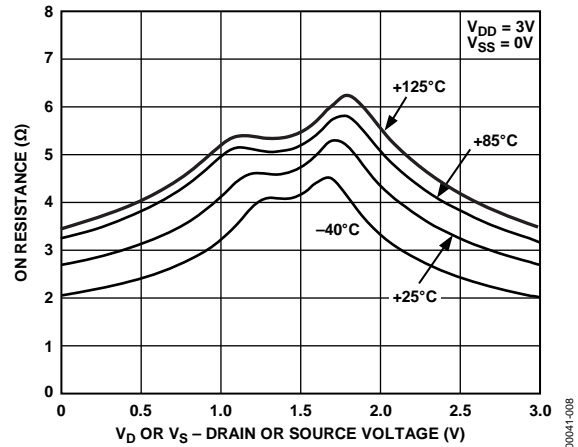


Figure 8. On Resistance as a Function of  $V_D$  ( $V_S$ ) for Different Temperatures, Single Supply

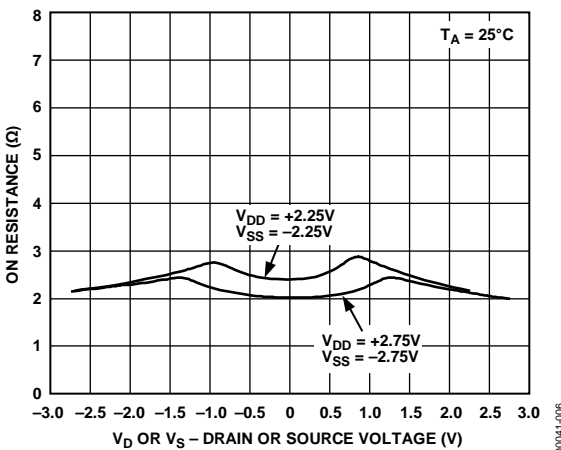


Figure 6. On Resistance as a Function of  $V_D$  ( $V_S$ ) for Dual Supply

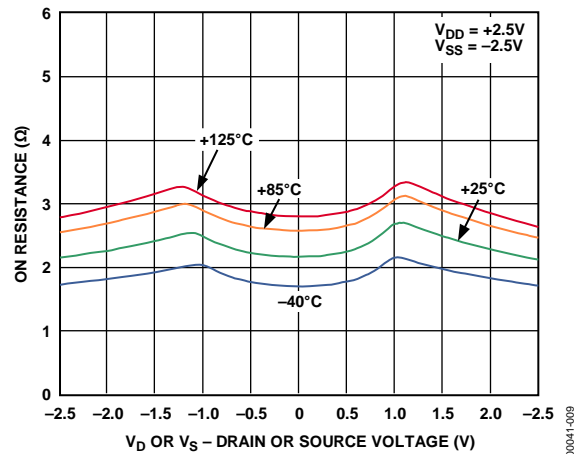


Figure 9. On Resistance as a Function of  $V_D$  ( $V_S$ ) for Different Temperatures, Dual Supply

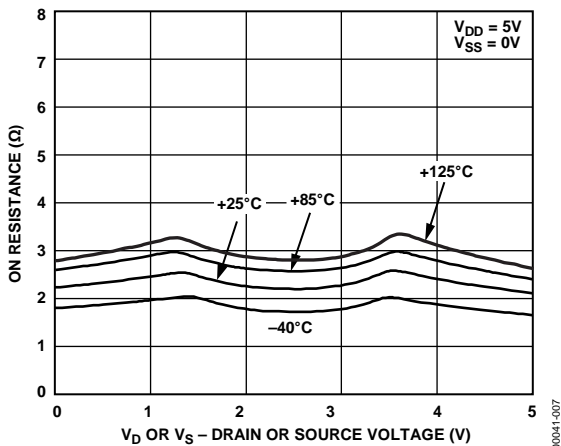


Figure 7. On Resistance as a Function of  $V_D$  ( $V_S$ ) for Different Temperatures, Single Supply

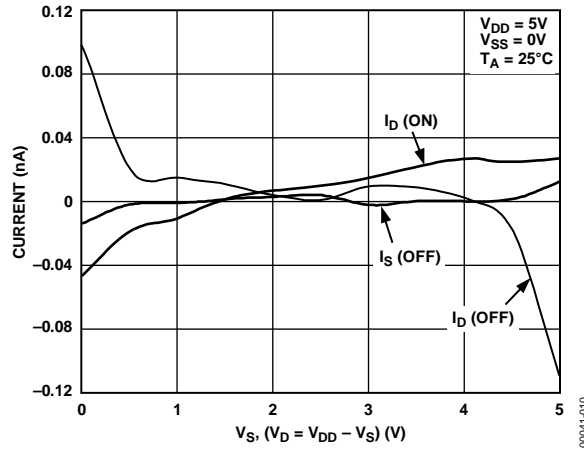


Figure 10. Leakage Currents as a Function of  $V_D$  ( $V_S$ )

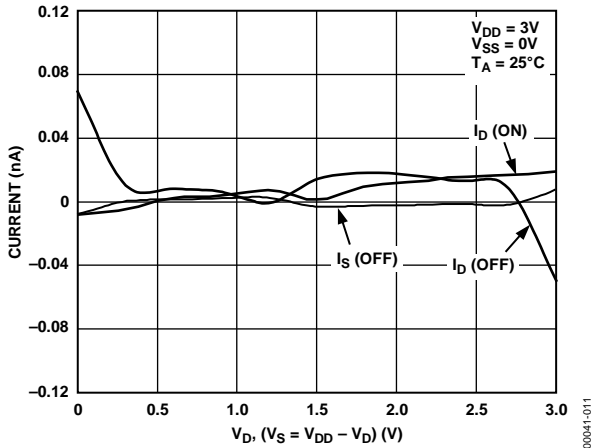


Figure 11. Leakage Currents as a Function of  $V_D$  ( $V_S = V_{DD} - V_D$ )

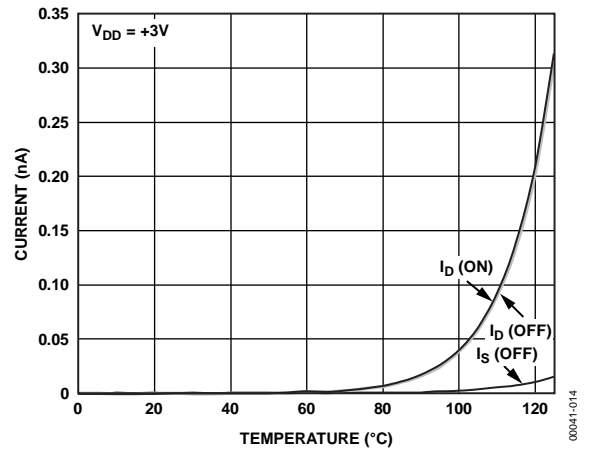


Figure 14. Leakage Currents as a Function of Temperature

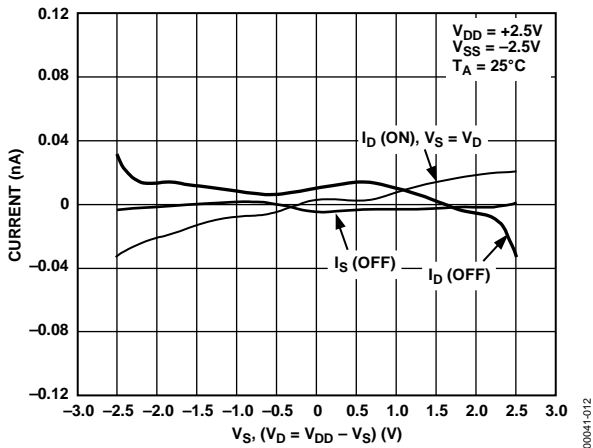


Figure 12. Leakage Currents as a Function of  $V_D$  ( $V_S$ )

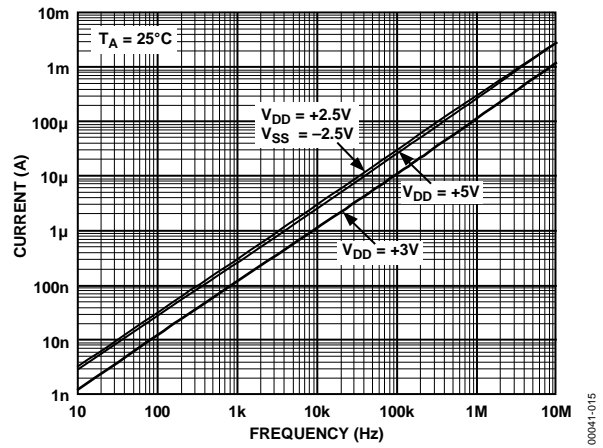


Figure 15. Supply Current vs. Input Switching Frequency

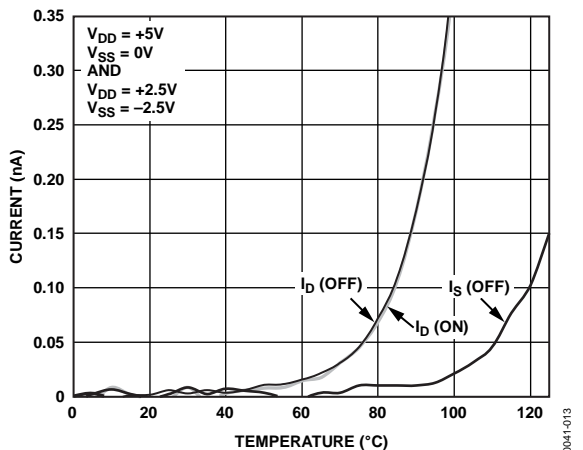


Figure 13. Leakage Currents as a Function of Temperature

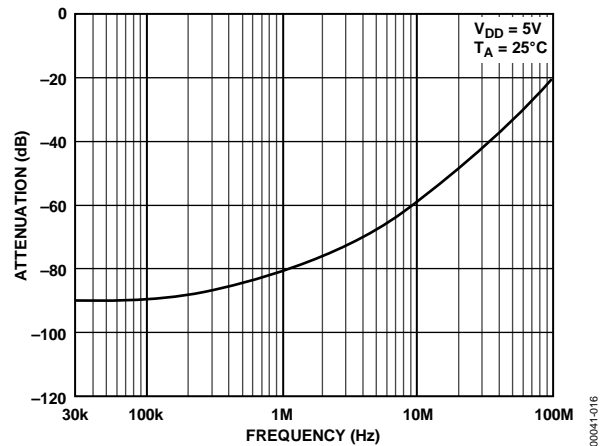


Figure 16. Off Isolation vs. Frequency

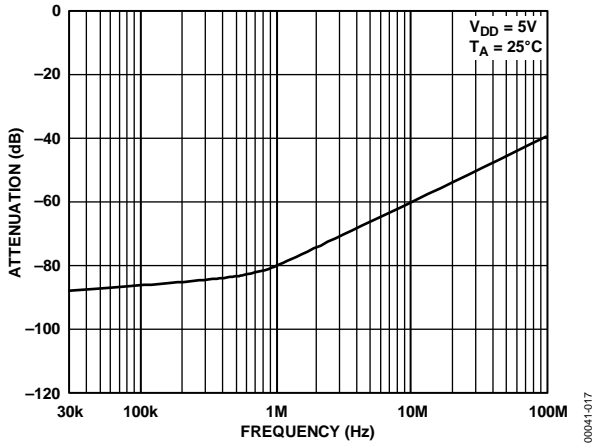


Figure 17. Crosstalk vs. Frequency

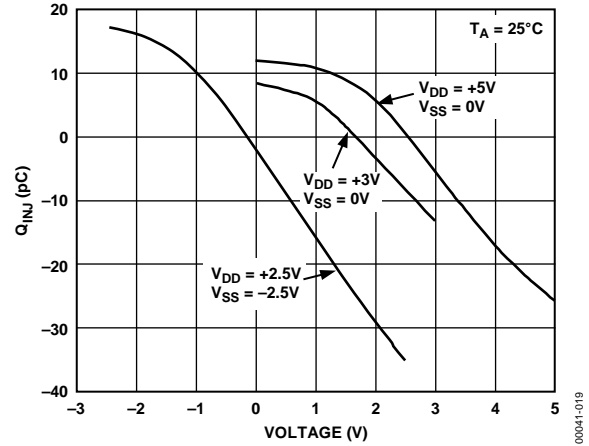


Figure 19. Charge Injection vs. Source Voltage

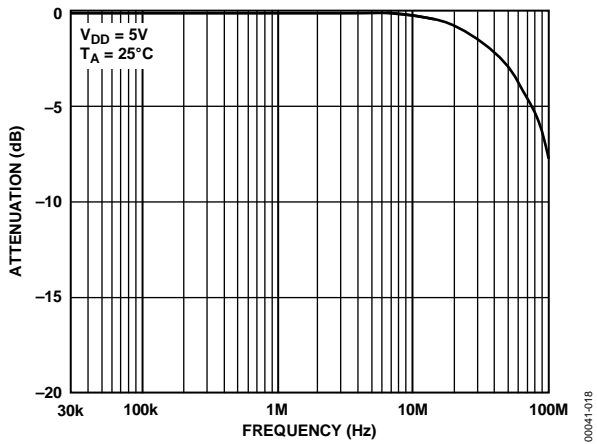


Figure 18. On Response vs. Frequency

TEST CIRCUITS

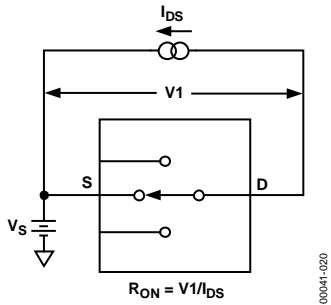


Figure 20. On Resistance

00041-020

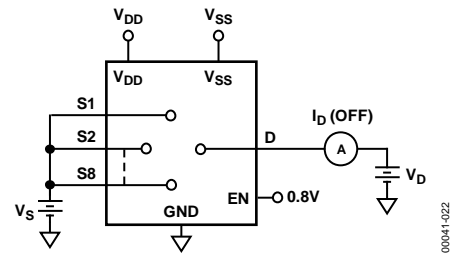


Figure 22. I<sub>D</sub> (OFF)

00041-022

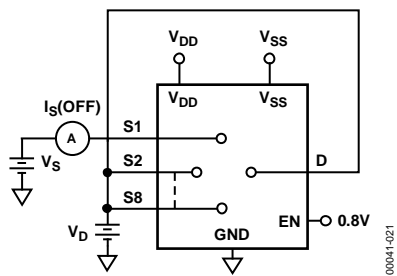


Figure 21. I<sub>S</sub> (OFF)

00041-021

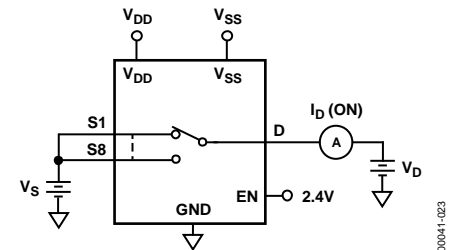
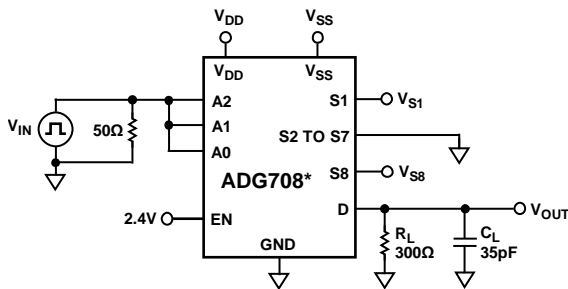


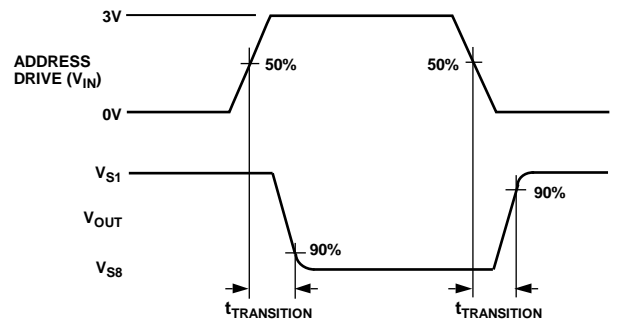
Figure 23. I<sub>D</sub> (ON)

00041-023

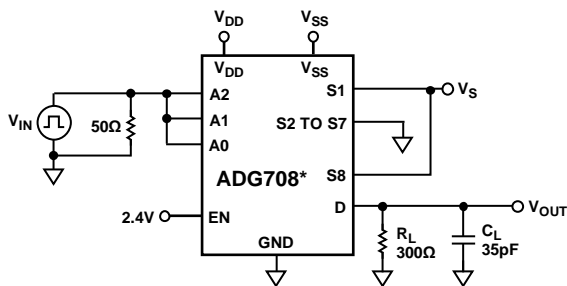


\*SIMILAR CONNECTION FOR ADG709.

Figure 24. Switching Time of Multiplexer,  $t_{\text{TRANSITION}}$

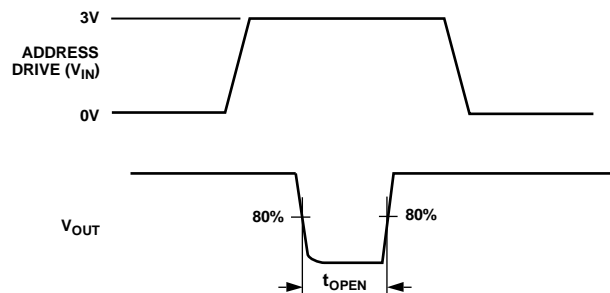


00041-024

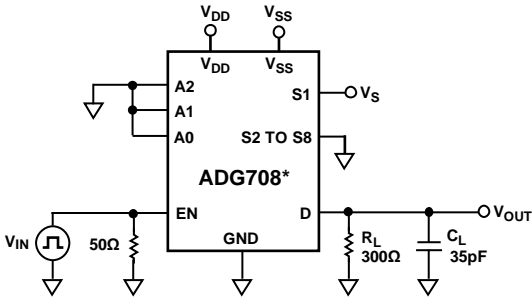


\*SIMILAR CONNECTION FOR ADG709.

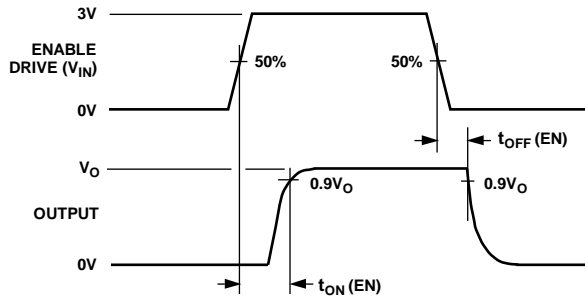
Figure 25. Break-Before-Make Delay,  $t_{\text{OPEN}}$



00041-025

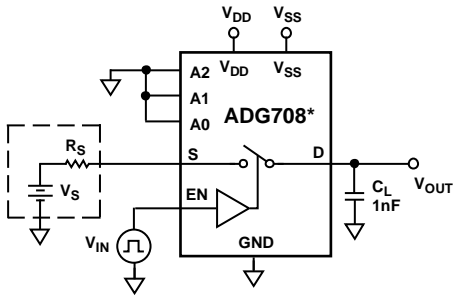


\*SIMILAR CONNECTION FOR ADG709.

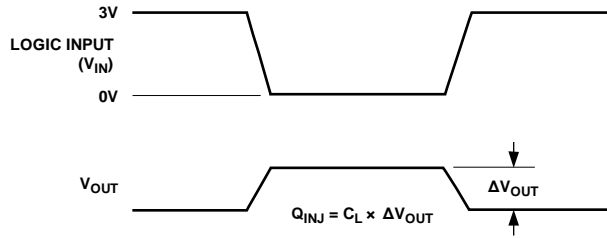


00041-026

Figure 26. Enable Delay,  $t_{ON}(EN)$ ,  $t_{OFF}(EN)$

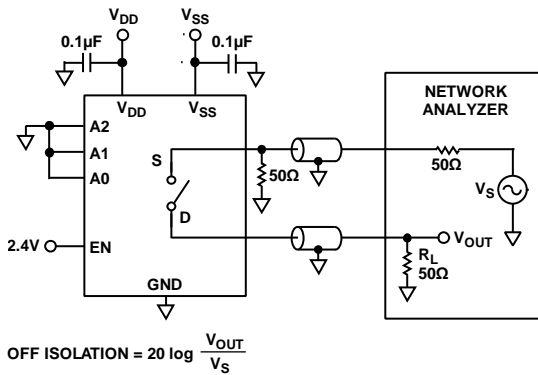


\*SIMILAR CONNECTION FOR ADG709.



00041-027

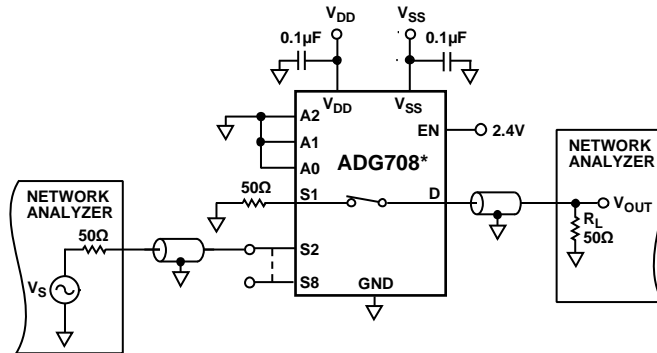
Figure 27. Charge Injection



$$\text{OFF ISOLATION} = 20 \log \frac{V_{OUT}}{V_S}$$

00041-028

Figure 28. Off Isolation



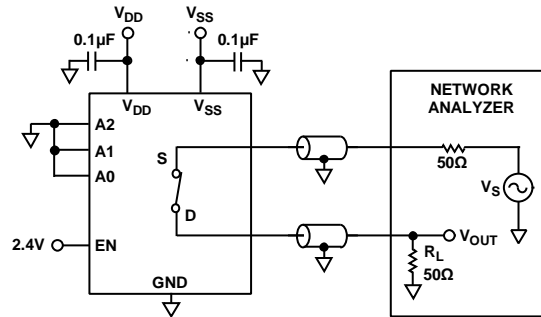
\*SIMILAR CONNECTION FOR ADG709.

$$\text{CHANNEL-TO-CHANNEL CROSSTALK} = 20 \log \frac{V_{OUT}}{V_S}$$

00041-029

Figure 29. Channel-to-Channel Crosstalk





$$\text{INSERTION LOSS} = 20 \log \frac{V_{\text{OUT WITH SWITCH}}}{V_{\text{OUT WITHOUT SWITCH}}}$$

Figure 30. Bandwidth

00041-030

## TERMINOLOGY

### $V_{DD}$

Most positive power supply potential.

### $V_{SS}$

Most negative power supply in a dual-supply application. In single-supply applications, tie  $V_{SS}$  to ground at the device.

### GND

Ground (0 V) reference.

### S

Source terminal. Can be an input or output.

### D

Drain terminal. Can be an input or output.

### Ax

Logic control input.

### EN

Active high enable.

### $R_{ON}$

Ohmic resistance between D and S.

### $R_{FLAT (ON)}$

Flatness is defined as the difference between the maximum and minimum value of on resistance as measured over the specified analog signal range.

### $I_S (Off)$

Source leakage current with the switch off.

### $I_D (Off)$

Drain leakage current with the switch off.

### $I_D, I_S (On)$

Channel leakage current with the switch on.

### $V_D (V_S)$

Analog voltage on Terminal D and Terminal S.

### $C_S (Off)$

Off switch source capacitance. Measured with reference to ground.

### $C_D (Off)$

Off switch drain capacitance. Measured with reference to ground.

### $C_D, C_S (On)$

On switch capacitance. Measured with reference to ground.

### $C_{IN}$

Digital input capacitance.

### $t_{TRANSITION}$

Delay time measured between the 50% and 90% points of the digital inputs and the switch on condition when switching from one address state to another.

### $t_{ON (EN)}$

Delay time between the 50% and 90% points of the EN digital input and the switch on condition.

### $t_{OFF (EN)}$

Delay time between the 50% and 90% points of the EN digital input and the switch off condition.

### $t_{OPEN}$

Off time measured between the 80% points of both switches when switching from one address state to another.

### Off Isolation

A measure of unwanted signal coupling through an off switch.

### Crosstalk

A measure of unwanted signal that is coupled through from one channel to another as a result of parasitic capacitance.

### Charge

A measure of the glitch impulse transferred from injection of the digital input to the analog output during switching.

### Bandwidth

The frequency at which the output is attenuated by 3 dB.

### On Response

The frequency response of the on switch.

### On Loss

The loss due to the on resistance of the switch.

### $V_{INL}$

Maximum input voltage for Logic 0.

### $V_{INH}$

Minimum input voltage for Logic 1.

### $I_{INL} (I_{INH})$

Input current of the digital input.

### $I_{DD}$

Positive supply current.

### $I_{SS}$

Negative supply current.

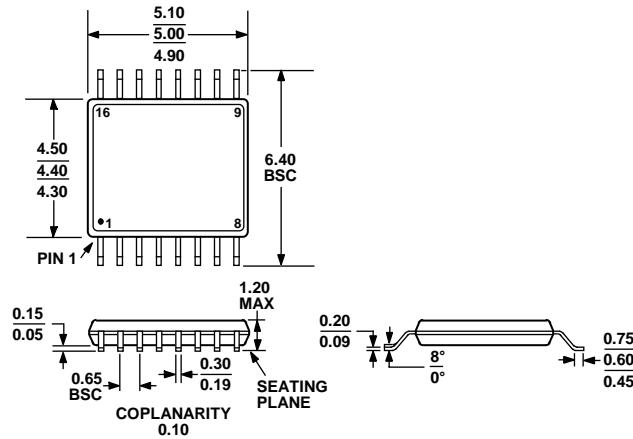
## APPLICATIONS INFORMATION

### POWER SUPPLY SEQUENCING

When using CMOS devices, take care to ensure correct power supply sequencing. Incorrect power supply sequencing can result in the device being subjected to stresses beyond the maximum ratings listed in Figure 4.

Always apply digital and analog inputs after power supplies and ground. For single-supply operation, tie  $V_{SS}$  to GND as close to the device as possible.

OUTLINE DIMENSIONS



COMPLIANT TO JEDEC STANDARDS MO-153-AB  
 Figure 31. 16-Lead Thin Shrink Small Outline Package [TSSOP]  
 (RU-16)  
 Dimensions shown in millimeters

ORDERING GUIDE

Model <sup>1, 2</sup>	Temperature Range	Package Description	Package Option
ADG708BRU	-40°C to +125°C	16-Lead Thin Shrink Small Outline Package [TSSOP]	RU-16
ADG708BRU-REEL	-40°C to +125°C	16-Lead Thin Shrink Small Outline Package [TSSOP]	RU-16
ADG708BRU-REEL7	-40°C to +125°C	16-Lead Thin Shrink Small Outline Package [TSSOP]	RU-16
ADG708BRUZ	-40°C to +125°C	16-Lead Thin Shrink Small Outline Package [TSSOP]	RU-16
ADG708BRUZ-REEL	-40°C to +125°C	16-Lead Thin Shrink Small Outline Package [TSSOP]	RU-16
ADG708BRUZ-REEL7	-40°C to +125°C	16-Lead Thin Shrink Small Outline Package [TSSOP]	RU-16
ADG708CRU	-40°C to +125°C	16-Lead Thin Shrink Small Outline Package [TSSOP]	RU-16
ADG708CRU-REEL	-40°C to +125°C	16-Lead Thin Shrink Small Outline Package [TSSOP]	RU-16
ADG708CRUZ	-40°C to +125°C	16-Lead Thin Shrink Small Outline Package [TSSOP]	RU-16
ADG708CRUZ-REEL	-40°C to +125°C	16-Lead Thin Shrink Small Outline Package [TSSOP]	RU-16
ADG708CRUZ-REEL7	-40°C to +125°C	16-Lead Thin Shrink Small Outline Package [TSSOP]	RU-16
ADW54008-OREEL7	-40°C to +125°C	16-Lead Thin Shrink Small Outline Package [TSSOP]	RU-16
ADG709BRU	-40°C to +125°C	16-Lead Thin Shrink Small Outline Package [TSSOP]	RU-16
ADG709BRU-REEL	-40°C to +125°C	16-Lead Thin Shrink Small Outline Package [TSSOP]	RU-16
ADG709BRU-REEL7	-40°C to +125°C	16-Lead Thin Shrink Small Outline Package [TSSOP]	RU-16
ADG709BRUZ	-40°C to +125°C	16-Lead Thin Shrink Small Outline Package [TSSOP]	RU-16
ADG709BRUZ-REEL	-40°C to +125°C	16-Lead Thin Shrink Small Outline Package [TSSOP]	RU-16
ADG709BRUZ-REEL7	-40°C to +125°C	16-Lead Thin Shrink Small Outline Package [TSSOP]	RU-16
ADG709CRU-REEL7	-40°C to +125°C	16-Lead Thin Shrink Small Outline Package [TSSOP]	RU-16
ADG709CRUZ	-40°C to +125°C	16-Lead Thin Shrink Small Outline Package [TSSOP]	RU-16
ADG709CRUZ-REEL	-40°C to +125°C	16-Lead Thin Shrink Small Outline Package [TSSOP]	RU-16
ADG709CRUZ-REEL7	-40°C to +125°C	16-Lead Thin Shrink Small Outline Package [TSSOP]	RU-16

<sup>1</sup> Z = RoHS Compliant Part.  
<sup>2</sup> W = Qualified for Automotive Applications.

AUTOMOTIVE PRODUCTS

The ADW54008 models are available with controlled manufacturing to support the quality and reliability requirements of automotive applications. Note that these automotive models may have specifications that differ from the commercial models; therefore, designers should review the Specifications section of this data sheet carefully. Only the automotive grade products shown are available for use in automotive applications. Contact your local Analog Devices account representative for specific product ordering information and to obtain the specific Automotive Reliability reports for these models.



Компания «ЭлектроПласт» предлагает заключение долгосрочных отношений при поставках импортных электронных компонентов на взаимовыгодных условиях!

Наши преимущества:

- Оперативные поставки широкого спектра электронных компонентов отечественного и импортного производства напрямую от производителей и с крупнейших мировых складов;
- Поставка более 17-ти миллионов наименований электронных компонентов;
- Поставка сложных, дефицитных, либо снятых с производства позиций;
- Оперативные сроки поставки под заказ (от 5 рабочих дней);
- Экспресс доставка в любую точку России;
- Техническая поддержка проекта, помощь в подборе аналогов, поставка прототипов;
- Система менеджмента качества сертифицирована по Международному стандарту ISO 9001;
- Лицензия ФСБ на осуществление работ с использованием сведений, составляющих государственную тайну;
- Поставка специализированных компонентов (Xilinx, Altera, Analog Devices, Intersil, Interpoint, Microsemi, Aeroflex, Peregrine, Syfer, Eurofarad, Texas Instrument, Miteq, Cobham, E2V, MA-COM, Hittite, Mini-Circuits, General Dynamics и др.);

Помимо этого, одним из направлений компании «ЭлектроПласт» является направление «Источники питания». Мы предлагаем Вам помощь Конструкторского отдела:

- Подбор оптимального решения, техническое обоснование при выборе компонента;
- Подбор аналогов;
- Консультации по применению компонента;
- Поставка образцов и прототипов;
- Техническая поддержка проекта;
- Защита от снятия компонента с производства.



#### Как с нами связаться

**Телефон:** 8 (812) 309 58 32 (многоканальный)

**Факс:** 8 (812) 320-02-42

**Электронная почта:** [org@eplast1.ru](mailto:org@eplast1.ru)

**Адрес:** 198099, г. Санкт-Петербург, ул. Калинина, дом 2, корпус 4, литера А.