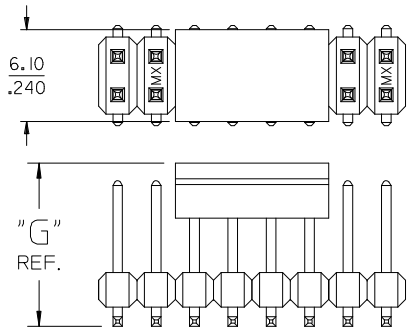
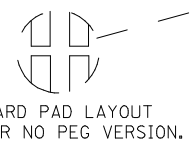
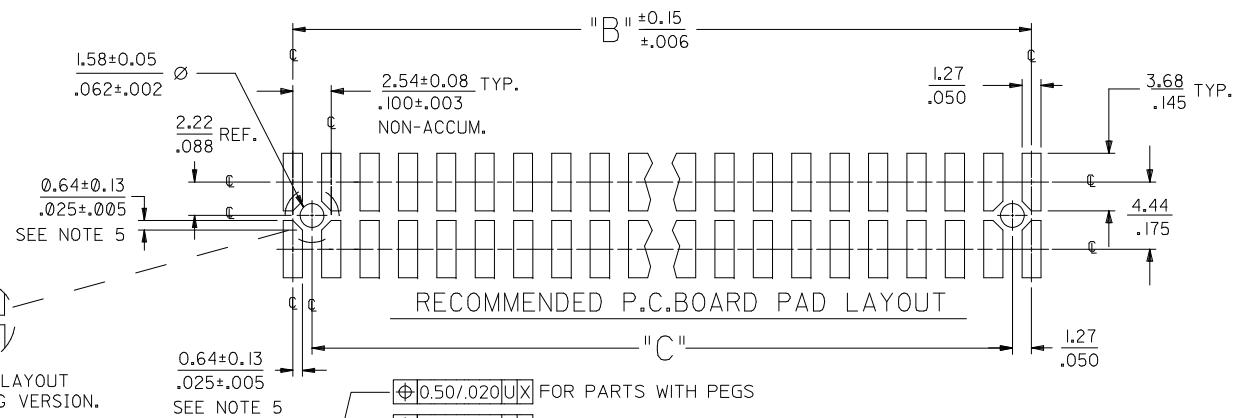


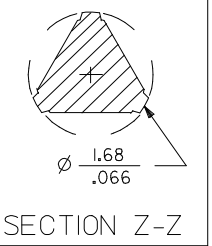
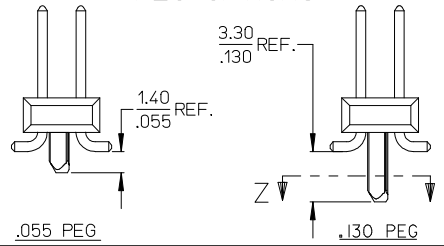
OPTIONAL
PICK AND PLACE CAP
SEE NOTES 4 & 9.



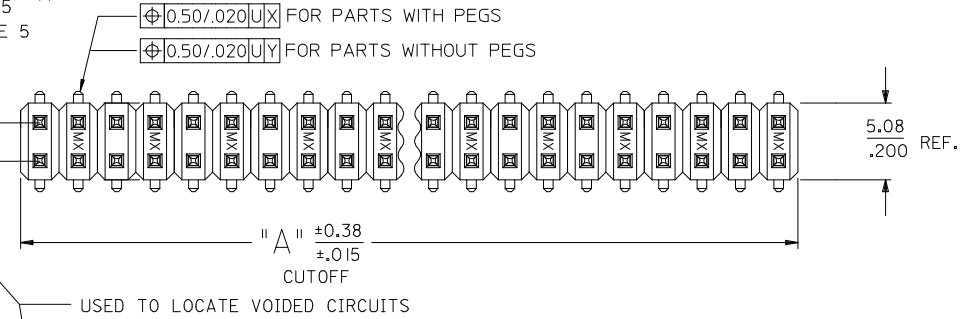
DIM. "M"	DIM. "G"
6.10 .240	10.67 .420
8.13 .320	12.70 .500



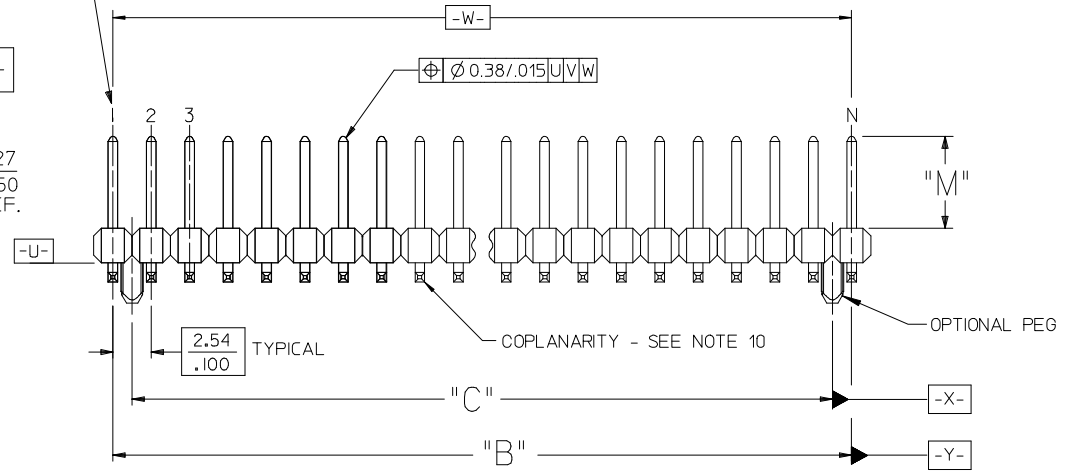
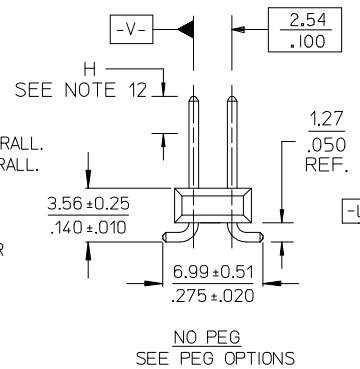
PEG OPTIONS



ROW "A"
ROW "B"



- NOTES:
- MATERIALS: INSULATOR: GLASS FILLED LIQUID CRYSTAL POLYMER (LCP), UL94 V-0, COLOR: BLACK
TERMINAL: COPPER ALLOY
 - FINISH:
59 TIN - 0.00150/0.00059 MINIMUM BRIGHT TIN OVER NICKEL OVERALL.
150 TIN - 0.00381/0.00150 MINIMUM BRIGHT TIN OVER NICKEL OVERALL.
15 GOLD - 0.00038/0.00015 MINIMUM GOLD IN SELECT AREA OVER 0.00191/0.00075 MINIMUM TIN IN SELECT AREA OVER NICKEL OVERALL.
30 GOLD - 0.00076/0.00030 MINIMUM GOLD IN SELECT AREA OVER 0.00191/0.00075 MINIMUM TIN IN SELECT AREA OVER NICKEL OVERALL.
50 GOLD - 0.00127/0.00050 MINIMUM GOLD IN SELECT AREA OVER 0.00254/0.00100 MINIMUM TIN IN SELECT AREA OVER NICKEL OVERALL.
 - PART TO CONFORM TO PS-71308.
 - PACKAGING (SEE CHARTS): BULK: PER PK-70873-0353
TUBES: PER PK-70873-0041.
71308-82** IN TUBES: PER PK-70873-042.
TUBES W/ VAC CAPS: PER PK-70873-0691
TAPE AND REEL W/ VAC CAPS: PER PK-70873-0805.
SEE SHEET 3 FOR TAPE & REEL PRODUCT WITH SHALLOW POCKET REQUIREMENTS.
 - TYP. DIMENSIONS FOR LANDS SURROUNDING HOLES FOR RETENTION PEGS.
 - PIN SOLDERABILITY PER MOLEX SPEC. SMES-152.
 - SEE SHEETS 2-5 FOR CHARTED DIMS., PART/EDP NO'S, AND VOIDED CIRCUITS.
 - PIN PUSHOUT FORCE: 3 LBS. MINIMUM.
 - PICK-N-PLACE CAPS WILL BE PLACED SO THAT VACUUM PICK UP AREA WILL BE IN CENTER OF PART.
 - COPLANARITY FOR CIRCUIT SIZES UP TO 40 IS 0.15 MM/0.006 INCH.
FOR CIRCUIT SIZES 42 AND LARGER, CONTACT MOLEX SALES DEPARTMENT.
 - THIS PART CONFORMS TO CLASS B REQUIREMENTS OF COSMETIC SPECIFICATION PS-45499-002.
 - MEASURE POINT FOR PLATING THICKNESS.



REMOVE 15-91-6407 EC NO: UCP2015-0081 DRWIN/KIPPER 2014/05/22 CHKD:NGUYEN 2014/11/26 APPR:FSMITH 2015/01/08 REV: K7	QUALITY SYMBOLS ▽=0 ▽=0 ▽=0	GENERAL TOLERANCES (UNLESS SPECIFIED)		DIMENSION STYLE MM/IN		SCALE	DESIGN UNITS	THIRD ANGLE PROJECTION	
		mm	INCH	DRAWN BY	DATE	TITLE SALES ASSY INSULATOR DUAL ROW SMT W/BREAK-OFF .025SQ PIN GULLWING .100 molex	INCH	DOCUMENT NO. SD-71308-001	SHEET NO. 1 OF 6
		4 PLACES ± --- ± ---	3 PLACES ± --- ± .005	KMS	1999/10/15				
		2 PLACES ± 0.13 ± .010	1 PLACE ± 0.25 ± ---	KMS	1999/10/15	MATERIAL NO. SEE TABLES	THIS DRAWING CONTAINS INFORMATION THAT IS PROPRIETARY TO MOLEX INCORPORATED AND SHOULD NOT BE USED WITHOUT WRITTEN PERMISSION		
0 PLACE ± --- ± ---	ANGULAR ±1/2°	SIZE C							

IN TAPE AND REEL WITH SHALLOW POCKET TAPE													BULK / IN TUBES		
PACKAGING SEE NOTE 4. SHT 1		4-8 CKT	TAPE-N-REEL W/ VAC CAPS	TAPE-N-REEL W/ VAC CAPS									BULK	BULK	
		10-100 CKT	TAPE-N-REEL W/ VAC CAPS	TAPE-N-REEL W/ VAC CAPS									TUBES	TUBES	
DIM. M±0.25 MM			6.10 (.240)	6.10 (.240)									8.13 (.320)	13.59 (.535)	
PLATING			30 GOLD	15 GOLD									150 TIN	150 TIN	
DIM. H			2.54 (.100)	2.54 (.100)									4.57 (.180)	4.57 (.180)	
I CKTS	DIM. A		DIM. B		EDP NUMBER	EDP NUMBER							EDP NUMBER	EDP NUMBER	CKTS
	MM	IN	MM	IN											
04	5.08	.200		2.54											04
06	7.62	.300		5.08		015-91-6068									06
08	10.16	.400		7.62		015-91-6088									08
10	12.70	.500		10.16		015-91-6108							713088010	71308-8210	10
12	15.24	.600		12.70											12
14	17.78	.700		15.24	015-91-6148										14
16	20.32	.800		17.78									713088016		16
18	22.86	.900		20.32											18
20	25.40	1.000		22.86											20
22	27.94	1.100		25.40											22
24	30.48	1.200		27.94											24
26	33.02	1.300		30.48											26
28	35.56	1.400		33.02											28
30	38.10	1.500		35.56											30
32	40.64	1.600		38.10											32
34	43.18	1.700		40.64											34
36	45.72	1.800		43.18											36
38	48.26	1.900		45.72											38
40	50.80	2.000		48.26											40
42	53.34	2.100		50.80											42
44	55.88	2.200		53.34											44
46	58.42	2.300		55.88											46
48	60.96	2.400		58.42											48
50	63.50	2.500		60.96											50
52	66.04	2.600		63.50											52
54	68.58	2.700		66.04											54
56	71.12	2.800		68.58											56
58	73.66	2.900		71.12											58
60	76.20	3.000		73.66											60
62	78.74	3.100		76.20											62
64	81.28	3.200		78.74											64
66	83.82	3.300		81.28											66
68	86.36	3.400		83.82											68
70	88.90	3.500		86.36											70
72	91.44	3.600		88.90											72
74	93.98	3.700		91.44											74
76	96.52	3.800		93.98											76
78	99.06	3.900		96.52											78
80	101.60	4.000		99.06											80
82	104.14	4.100		101.60											82
84	106.68	4.200		104.14											84
86	109.22	4.300		106.68											86
88	111.76	4.400		109.22											88
90	114.30	4.500		111.76											90
92	116.84	4.600		114.30											92
94	119.38	4.700		116.84											94
96	121.92	4.800		119.38											96
98	124.46	4.900		121.92											98
100	127.00	5.000		124.46											100

NO PEG VERSION
(ALSO SEE SHEET 2)

SEE SHEET 1 EC NO: UCP2015-0081 DRW:MKIPPER 2014/05/22 CHKD:NGUYEN 2014/11/26 APPR:FSMLTH 2015/01/08 REV:	QUALITY SYMBOLS 	GENERAL TOLERANCES (UNLESS SPECIFIED) <table border="1"> <tr><th colspan="2">mm</th><th colspan="2">INCH</th></tr> <tr><td>4 PLACES</td><td>± .005</td><td>± .005</td><td></td></tr> <tr><td>3 PLACES</td><td>± .005</td><td>± .005</td><td></td></tr> <tr><td>2 PLACES</td><td>± 0.13</td><td>± .010</td><td></td></tr> <tr><td>1 PLACE</td><td>± 0.25</td><td>± .010</td><td></td></tr> <tr><td>0 PLACE</td><td>± .005</td><td>± .010</td><td></td></tr> </table>	mm		INCH		4 PLACES	± .005	± .005		3 PLACES	± .005	± .005		2 PLACES	± 0.13	± .010		1 PLACE	± 0.25	± .010		0 PLACE	± .005	± .010		DIMENSION STYLE MM/IN DRAWN BY DATE KMS 1999/10/15 CHECKED BY DATE KMS 1999/10/15 APPROVED BY DATE KMS 1999/10/15	SCALE INCH DESIGN UNITS INCH THIRD ANGLE PROJECTION	TITLE SALES ASSY INSULATOR DUAL ROW SMT W/BREAK-OFF .025SQ PIN GULLWING .100 molex	MATERIAL NO. SEE TABLE DOCUMENT NO. SD-71308-001 SHEET NO. 3 OF 6
	mm		INCH																											
	4 PLACES	± .005	± .005																											
	3 PLACES	± .005	± .005																											
2 PLACES	± 0.13	± .010																												
1 PLACE	± 0.25	± .010																												
0 PLACE	± .005	± .010																												
ANGULAR ±1/2°		DRAFT WHERE APPLICABLE MUST REMAIN WITHIN DIMENSIONS		THIS DRAWING CONTAINS INFORMATION THAT IS PROPRIETARY TO MOLEX INCORPORATED AND SHOULD NOT BE USED WITHOUT WRITTEN PERMISSION																										

	13	12	11	10	9	8	7	6	5	4	3	2	1				
J	PACKAGING SEE NOTE 4 SHT 1			4-8 CKT		BULK		TAPE-N-REEL W/ VAC CAPS		BULK		TAPE-N-REEL W/ VAC CAPS		TAPE-N-REEL W/ VAC CAPS			
				10-100 CKT		TUBES		TAPE-N-REEL W/ VAC CAPS		TUBES		TAPE-N-REEL W/ VAC CAPS		TAPE-N-REEL W/ VAC CAPS			
	DIM. M±0.25 MM					6.10 (.240)				6.10 (.240)				8.13 (.320)			
	PLATING					30 GOLD				150 TIN				150 TIN			
DIM. H					2.54 (.100)				2.54 (.100)				4.57 (.180)				
I	CKTS	DIM. A		DIM. B		DIM. C		EDP NUMBER	EDP NUMBER	EDP NUMBER	EDP NUMBER	EDP NUMBER	EDP NUMBER	EDP NUMBER	EDP NUMBER	CKTS	
		MM	IN	MM	IN	MM	IN										
	04	5.08	.200	2.54	.100	----	----	015-91-1048	015-91-6047								04
	06	7.62	.300	5.08	.200	2.54	.100	015-91-1068	015-91-6067	71308-6106	71308-6206						06
	08	10.16	.400	7.62	.300	5.08	.200	015-91-1088	015-91-6087	71308-6108	71308-6208						08
	10	12.70	.500	10.16	.400	7.62	.300	015-91-1108	015-91-6107	71308-6110	71308-6210						10
	12	15.24	.600	12.70	.500	10.16	.400	015-91-1128									12
	14	17.78	.700	15.24	.600	12.70	.500	015-91-1148	015-91-6147								14
	16	20.32	.800	17.78	.700	15.24	.600	015-91-1168	015-91-6167								16
	18	22.86	.900	20.32	.800	17.78	.700	015-91-1188									18
	20	25.40	1.000	22.86	.900	20.32	.800	015-91-1208	015-91-6207								20
	22	27.94	1.100	25.40	1.000	22.86	.900	015-91-1228									22
	24	30.48	1.200	27.94	1.100	25.40	1.000	015-91-1248									24
	26	33.02	1.300	30.48	1.200	27.94	1.100	015-91-1268		71308-6126		71308-8426					26
	28	35.56	1.400	33.02	1.300	30.48	1.200	015-91-1288									28
	30	38.10	1.500	35.56	1.400	33.02	1.300	015-91-1308									30
	32	40.64	1.600	38.10	1.500	35.56	1.400	015-91-1328									32
	34	43.18	1.700	40.64	1.600	38.10	1.500	015-91-1348									34
	36	45.72	1.800	43.18	1.700	40.64	1.600	015-91-1368									36
	38	48.26	1.900	45.72	1.800	43.18	1.700	015-91-1388									38
	40	50.80	2.000	48.26	1.900	45.72	1.800	015-91-1408									40
	42	53.34	2.100	50.80	2.000	48.26	1.900	015-91-1428									42
	44	55.88	2.200	53.34	2.100	50.80	2.000	015-91-1448									44
	46	58.42	2.300	55.88	2.200	53.34	2.100	015-91-1468									46
	48	60.96	2.400	58.42	2.300	55.88	2.200	015-91-1488									48
	50	63.50	2.500	60.96	2.400	58.42	2.300	015-91-1508	015-91-6507								50
	52	66.04	2.600	63.50	2.500	60.96	2.400	015-91-1528									52
	54	68.58	2.700	66.04	2.600	63.50	2.500	015-91-1548									54
	56	71.12	2.800	68.58	2.700	66.04	2.600	015-91-1568									56
	58	73.66	2.900	71.12	2.800	68.58	2.700	015-91-1588									58
	60	76.20	3.000	73.66	2.900	71.12	2.800	015-91-1608									60
	62	78.74	3.100	76.20	3.000	73.66	2.900	015-91-1628									62
	64	81.28	3.200	78.74	3.100	76.20	3.000	015-91-1648									64
	66	83.82	3.300	81.28	3.200	78.74	3.100	015-91-1668									66
	68	86.36	3.400	83.82	3.300	81.28	3.200	015-91-1688									68
	70	88.90	3.500	86.36	3.400	83.82	3.300	015-91-1708									70
	72	91.44	3.600	88.90	3.500	86.36	3.400	015-91-1728									72
	74	93.98	3.700	91.44	3.600	88.90	3.500	015-91-1748									74
	76	96.52	3.800	93.98	3.700	91.44	3.600	015-91-1768									76
	78	99.06	3.900	96.52	3.800	93.98	3.700	015-91-1788									78
	80	101.60	4.000	99.06	3.900	96.52	3.800	015-91-1808									80
	82	104.14	4.100	101.60	4.000	99.06	3.900	71308-6082									82
	84	106.68	4.200	104.14	4.100	101.60	4.000	71308-6084									84
	86	109.22	4.300	106.68	4.200	104.14	4.100	71308-6086									86
	88	111.76	4.400	109.22	4.300	106.68	4.200	71308-6088									88
	90	114.30	4.500	111.76	4.400	109.22	4.300	71308-6090									90
	92	116.84	4.600	114.30	4.500	111.76	4.400	71308-6092									92
	94	119.38	4.700	116.84	4.600	114.30	4.500	71308-6094									94
	96	121.92	4.800	119.38	4.700	116.84	4.600	71308-6096									96
	98	124.46	4.900	121.92	4.800	119.38	4.700	71308-6098									98
	100	127.00	5.000	124.46	4.900	121.92	4.800	71308-6100									100

SHORT PEG VERSION (.055")

REMOVE 15-91-6407 EC NO: UCP2015-0081 DRWNG/PPER 2014/05/22 CHKD/ANGYEN 2014/11/26 APPR/FSM/TH 2015/01/08 K7	QUALITY SYMBOLS 	GENERAL TOLERANCES (UNLESS SPECIFIED)		DIMENSION STYLE		SCALE	DESIGN UNITS	THIRD ANGLE PROJECTION			
				MM/IN							
				mm	INCH	DRAWN BY	DATE	TITLE			
						KMS	1999/10/15	SALES ASSY INSULATOR DUAL ROW SMT W/BREAK-OFF .025SQ PIN GULLWING .100			
						CHECKED BY	DATE	SD-71308-001			
						DOCUMENT NO.					
						SHEET NO.					
				DRAFT WHERE APPLICABLE MUST REMAIN WITHIN DIMENSIONS		MATERIAL NO.		SEE TABLE			
						SD-71308-001		5 OF 6			
				THIS DRAWING CONTAINS INFORMATION THAT IS PROPRIETARY TO MOLEX INCORPORATED AND SHOULD NOT BE USED WITHOUT WRITTEN PERMISSION							

PEG OPTION																				
NO PEG VERSION						NO PEG VERSION						LONG PEG VERSION (.130")			SHORT PEG VERSION (.055")					
PACKAGING SEE NOTE 4, SHT 1	4-6 CKT		BULK	TAPE-N-REEL W/VAC CAPS	N/A	4-8 CKT	TAPE-N-REEL W/VAC CAPS	BULK	BULK	BULK	TAPE-N-REEL W/VAC CAPS	BULK	BULK	BULK	TAPE-N-REEL W/VAC CAPS	BULK	TAPE-N-REEL W/VAC CAPS			
	8-100 CKT		TUBES	TAPE-N-REEL W/VAC CAPS	TUBES W/ VAC CAPS		10-100 CKT	TAPE-N-REEL W/VAC CAPS	TUBES	TUBES	TUBES	TAPE-N-REEL W/VAC CAPS	TUBES	TUBES	TUBES	TAPE-N-REEL W/VAC CAPS	TUBES	TAPE-N-REEL W/VAC CAPS		
DIM. M±0.25 MM			6.10 (.240)			8.13(.320)			13.59(.535)			6.10(.240)			8.13(.320)			6.10 (.240)		
PLATING			59 TIN			59 TIN			59 TIN			59 TIN			59 TIN			59 TIN		
DIM. H			2.54(.100)			4.57(.180)			4.57(.180)			2.54(.100)			4.57(.180)			2.54(.100)		

CKTS	DIM. A		DIM. B		DIM. C		EDP NUMBER	EDP NUMBER	EDP NUMBER	EDP NUMBER	EDP NUMBER	EDP NUMBER	EDP NUMBER	EDP NUMBER	EDP NUMBER	EDP NUMBER	CKTS	
	MM	IN	MM	IN	MM	IN												
04	5.08	.200	2.54	.100	---	---	71308-5404	71308-5504	N/A				71308-6404	71308-6504	71308-6604		04	
06	7.62	.300	5.08	.200	2.54	.100	71308-5406	71308-5506	N/A				71308-6406	71308-6506	71308-6606	71308-6706	71308-6806	06
08	10.16	.400	7.62	.300	5.08	.200	71308-5408	71308-5508	71308-5608				71308-6408	71308-6508	71308-6608	71308-6708	71308-6808	08
10	12.70	.500	10.16	.400	7.62	.300	71308-5410	71308-5510	71308-5610		71308-5810	71308-5910	71308-6410	71308-6510	71308-6610	71308-6710	71308-6810	10
12	15.24	.600	12.70	.500	10.16	.400	71308-5412	71308-5512	71308-5612				71308-6412		71308-6612			12
14	17.78	.700	15.24	.600	12.70	.500	71308-5414	71308-5514	71308-5614				71308-6414	71308-6514	71308-6614			14
16	20.32	.800	17.78	.700	15.24	.600	71308-5416	71308-5516	71308-5616		71308-5816		71308-6416	71308-6516	71308-6616			16
18	22.86	.900	20.32	.800	17.78	.700	71308-5418		71308-5618				71308-6418		71308-6618			18
20	25.40	1.000	22.86	.900	20.32	.800	71308-5420	71308-5520	71308-5620				71308-6420		71308-6620			20
22	27.94	1.100	25.40	1.000	22.86	.900	71308-5422		71308-5622				71308-6422		71308-6622			22
24	30.48	1.200	27.94	1.100	25.40	1.000	71308-5424		71308-5624		71308-5724	71308-5824	71308-6424		71308-6624			24
26	33.02	1.300	30.48	1.200	27.94	1.100	71308-5426		71308-5626				71308-6426		71308-6626	71308-6726		26
28	35.56	1.400	33.02	1.300	30.48	1.200	71308-5428		71308-5628				71308-6428		71308-6628			28
30	38.10	1.500	35.56	1.400	33.02	1.300	71308-5430		71308-5630				71308-6430		71308-6630			30
32	40.64	1.600	38.10	1.500	35.56	1.400	71308-5432		71308-5632				71308-6432		71308-6632			32
34	43.18	1.700	40.64	1.600	38.10	1.500	71308-5434		71308-5634				71308-6434		71308-6634			34
36	45.72	1.800	43.18	1.700	40.64	1.600	71308-5436		71308-5636				71308-6436		71308-6636			36
38	48.26	1.900	45.72	1.800	43.18	1.700	71308-5438		71308-5638				71308-6438		71308-6638			38
40	50.80	2.000	48.26	1.900	45.72	1.800	71308-5440	71308-5540	71308-5640				71308-6440		71308-6640			40
42	53.34	2.100	50.80	2.000	48.26	1.900	71308-5442		71308-5642				71308-6442		71308-6642			42
44	55.88	2.200	53.34	2.100	50.80	2.000	71308-5444		71308-5644				71308-6444		71308-6644			44
46	58.42	2.300	55.88	2.200	53.34	2.100	71308-5446		71308-5646				71308-6446		71308-6646			46
48	60.96	2.400	58.42	2.300	55.88	2.200	71308-5448		71308-5648				71308-6448		71308-6648			48
50	63.50	2.500	60.96	2.400	58.42	2.300	71308-5450	71308-5550	71308-5650				71308-6450	71308-6550	71308-6650			50
52	66.04	2.600	63.50	2.500	60.96	2.400	71308-5452		71308-5652				71308-6452		71308-6652			52
54	68.58	2.700	66.04	2.600	63.50	2.500	71308-5454		71308-5654				71308-6454		71308-6654			54
56	71.12	2.800	68.58	2.700	66.04	2.600	71308-5456		71308-5656				71308-6456		71308-6656			56
58	73.66	2.900	71.12	2.800	68.58	2.700	71308-5458		71308-5658				71308-6458		71308-6658			58
60	76.20	3.000	73.66	2.900	71.12	2.800	71308-5460		71308-5660				71308-6460		71308-6660			60
62	78.74	3.100	76.20	3.000	73.66	2.900	71308-5462		71308-5662				71308-6462		71308-6662			62
64	81.28	3.200	78.74	3.100	76.20	3.000	71308-5464		71308-5664				71308-6464		71308-6664			64
66	83.82	3.300	81.28	3.200	78.74	3.100	71308-5466		71308-5666				71308-6466		71308-6666			66
68	86.36	3.400	83.82	3.300	81.28	3.200	71308-5468		71308-5668				71308-6468		71308-6668			68
70	88.90	3.500	86.36	3.400	83.82	3.300	71308-5470		71308-5670				71308-6470		71308-6670			70
72	91.44	3.600	88.90	3.500	86.36	3.400	71308-5472		71308-5672				71308-6472		71308-6672			72
74	93.98	3.700	91.44	3.600	88.90	3.500	71308-5474		71308-5674				71308-6474		71308-6674			74
76	96.52	3.800	93.98	3.700	91.44	3.600	71308-5476		71308-5676				71308-6476		71308-6676			76
78	99.06	3.900	96.52	3.800	93.98	3.700	71308-5478		71308-5678				71308-6478		71308-6678			78
80	101.60	4.000	99.06	3.900	96.52	3.800	71308-5480		71308-5680				71308-6480		71308-6680			80
82	104.14	4.100	101.60	4.000	99.06	3.900	71308-5482		71308-5682				71308-6482		71308-6682			82
84	106.68	4.200	104.14	4.100	101.60	4.000	71308-5484		71308-5684				71308-6484		71308-6684			84
86	109.22	4.300	106.68	4.200	104.14	4.100	71308-5486		71308-5686				71308-6486		71308-6686			86
88	111.76	4.400	109.22	4.300	106.68	4.200	71308-5488		71308-5688				71308-6488		71308-6688			88
90	114.30	4.500	111.76	4.400	109.22	4.300	71308-5490		71308-5690				71308-6490		71308-6690			90
92	116.84	4.600	114.30	4.500	111.76	4.400	71308-5492		71308-5692				71308-6492		71308-6692			92
94	119.38	4.700	116.84	4.600	114.30	4.500	71308-5494		71308-5694				71308-6494		71308-6694			94
96	121.92	4.800	119.38	4.700	116.84	4.600	71308-5496		71308-5696				71308-6496		71308-6696			96
98	124.46	4.900	121.92	4.800	119.38	4.700	71308-5498		71308-5698				71308-6498		71308-6698			98
100	127.00	5.000	124.46	4.900	121.92	4.800	71308-5500		71308-5700				71308-6500		71308-6700			100

SEE SHEET 1 EC NO: UCP2015-0081 DRW:WKIPPER 2014/05/22 CHKD:NGUYEN 2014/11/26 APPR:FSMITH 2015/01/08 REV:	QUALITY SYMBOLS ▽=0 ▽=0 ▽=0	GENERAL TOLERANCES (UNLESS SPECIFIED) mm INCH 4 PLACES ± --- ± --- 3 PLACES ± --- ± .005 2 PLACES ± 0.13 ± .010 1 PLACE ± 0.25 ± --- 0 PLACE ± --- ± --- ANGULAR ±1/2°	DIMENSION STYLE MM/IN DRAWN BY DATE KMS 1999/10/15 CHECKED BY DATE KMS 1999/10/15 APPROVED BY DATE KMS 1999/10/15	SCALE INCH	DESIGN UNITS INCH	THIRD ANGLE PROJECTION	TITLE SALES ASSY INSULATOR DUAL ROW SMT W/BREAK-OFF .025SQ PIN GULLWING .100 molex	DOCUMENT NO. SD-71308-001	SHEET NO. 6 OF 6

59 TIN PLATE ASSEMBLIES



Компания «ЭлектроПласт» предлагает заключение долгосрочных отношений при поставках импортных электронных компонентов на взаимовыгодных условиях!

Наши преимущества:

- Оперативные поставки широкого спектра электронных компонентов отечественного и импортного производства напрямую от производителей и с крупнейших мировых складов;
- Поставка более 17-ти миллионов наименований электронных компонентов;
- Поставка сложных, дефицитных, либо снятых с производства позиций;
- Оперативные сроки поставки под заказ (от 5 рабочих дней);
- Экспресс доставка в любую точку России;
- Техническая поддержка проекта, помощь в подборе аналогов, поставка прототипов;
- Система менеджмента качества сертифицирована по Международному стандарту ISO 9001;
- Лицензия ФСБ на осуществление работ с использованием сведений, составляющих государственную тайну;
- Поставка специализированных компонентов (Xilinx, Altera, Analog Devices, Intersil, Interpoint, Microsemi, Aeroflex, Peregrine, Syfer, Eurofarad, Texas Instrument, Miteq, Cobham, E2V, MA-COM, Hittite, Mini-Circuits, General Dynamics и др.);

Помимо этого, одним из направлений компании «ЭлектроПласт» является направление «Источники питания». Мы предлагаем Вам помощь Конструкторского отдела:

- Подбор оптимального решения, техническое обоснование при выборе компонента;
- Подбор аналогов;
- Консультации по применению компонента;
- Поставка образцов и прототипов;
- Техническая поддержка проекта;
- Защита от снятия компонента с производства.



Как с нами связаться

Телефон: 8 (812) 309 58 32 (многоканальный)

Факс: 8 (812) 320-02-42

Электронная почта: org@eplast1.ru

Адрес: 198099, г. Санкт-Петербург, ул. Калинина, дом 2, корпус 4, литера А.