

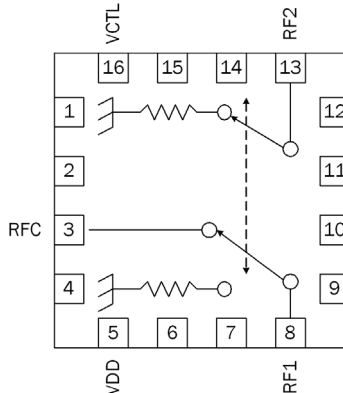


Product Description

The RF3025 is a high isolation single-pole double-throw (SPDT) absorptive switch designed for general purpose switching applications requiring moderate insertion loss and power handling capability. It features single-bit control with operation as low as 3V. This GaAs pHEMT switch is housed in a compact 3mm, 16-pin, leadless QFN package.

Optimum Technology Matching® Applied

- GaAs HBT
- GaAs MESFET
- InGaP HBT
- SiGe BiCMOS
- Si BiCMOS
- SiGe HBT
- GaAs pHEMT
- Si CMOS
- Si BJT
- GaN HEMT
- InP HBT
- RF MEMS
- LDMOS



Features

- 10MHz to 6GHz Operation
- 0.5dB Insertion Loss at 1GHz
- 1.1dB Insertion Loss at 6GHz
- Terminated Off State
- 58dB Isolation at 1GHz
- 39dBm Isolation at 6GHz
- 3V Minimum Voltage
- 50dBm IP3 at 5V

Applications

- Cellular Handset Applications
- Antenna Tuning Applications
- IEEE802.11b/g WLAN Applications
- Cellular Infrastructure Applications

| Parameter | Specification | | | Unit | Condition |
|----------------------------------|---------------|------|------|------|---|
| | Min. | Typ. | Max. | | |
| Insertion Loss | | 0.45 | | dB | Freq = 10MHz to 1.0GHz |
| | | 0.5 | 0.8 | dB | Freq = 1.0GHz to 2.0GHz |
| | | 0.55 | | dB | Freq = 2.0GHz to 3.0GHz |
| | | 0.8 | | dB | Freq = 3.0GHz to 5.0GHz |
| | | 1.1 | | dB | Freq = 5.0GHz to 6.0GHz |
| Return Loss | | 18 | | dB | Freq = 10MHz to 1.0GHz, Freq = 1.0GHz to 3.0GHz |
| | | 13 | | dB | Freq = 3.0GHz to 6.0GHz |
| Return Loss into Off Port | | 14 | | dB | Freq = 0.5GHz to 0.8GHz |
| | | 16 | | dB | Freq = 0.8GHz to 1.0GHz |
| | | 17 | | dB | Freq = 1.0GHz to 3.0GHz |
| | | 12 | | dB | Freq = 3.0GHz to 6.0GHz |
| | | 12 | | dB | Freq = 0.5GHz to 1.0GHz |
| Isolation | | 58 | | dB | Freq = 1.0GHz to 2.0GHz |
| | 50 | 52 | | dB | Freq = 2.0GHz to 3.0GHz |
| | | 48 | | dB | Freq = 3.0GHz to 5.0GHz |
| | | 42 | | dB | Freq = 5.0GHz to 6.0GHz |
| | | 39 | | dB | Freq = 0.5GHz to 1.0GHz |
| PO,1dB* | | 30 | | dBm | Freq = 1.8GHz |
| IP3* | | 50 | | dBm | Freq = 0.5GHz to 2.5GHz, 1MHz spacing, 10dBm/tone |
| I _{DD} , Supply Current | | 200 | 300 | uA | |
| I _C , Control Current | | 20 | | uA | |
| TON, TOFF | | 120 | | nS | 50% of VCTRL to 10/90% of RF |
| TRISE, TFALL | | 35 | | nS | 10/90% RF |

Test Conditions: V_{DD} = 5V, 25 °C, 50Ω, with application circuit with 100pF DC blocking capacitors.

*Note: Performance degrades below 50MHz.

Absolute Maximum Ratings

| Parameter | Rating | Unit |
|----------------------------------|-------------|------|
| Supply Voltage V_{DD} | 5.5 | V |
| Control Voltage (V_C) | 5.5 | V |
| RF Input Power (on state) | 32 | dBm |
| RF Input Power (terminated port) | 24 | dBm |
| Operating Temp Range (T_L) | -40 to +85 | °C |
| Storage Temp | -65 to +150 | °C |
| ESD Rating (HBM) | Class 0 | |
| Moisture Sensitivity Level | MSL2 | |



Caution! ESD sensitive device.

Exceeding any one or a combination of the Absolute Maximum Rating conditions may cause permanent damage to the device. Extended application of Absolute Maximum Rating conditions to the device may reduce device reliability. Specified typical performance or functional operation of the device under Absolute Maximum Rating conditions is not implied.

The information in this publication is believed to be accurate and reliable. However, no responsibility is assumed by RF Micro Devices, Inc. ("RFMD") for its use, nor for any infringement of patents, or other rights of third parties, resulting from its use. No license is granted by implication or otherwise under any patent or patent rights of RFMD. RFMD reserves the right to change component circuitry, recommended application circuitry and specifications at any time without prior notice.



RFMD Green: RoHS compliant per EU Directive 2002/95/EC, halogen free per IEC 61249-2-21, < 1000ppm each of antimony trioxide in polymeric materials and red phosphorus as a flame retardant, and <2% antimony in solder.

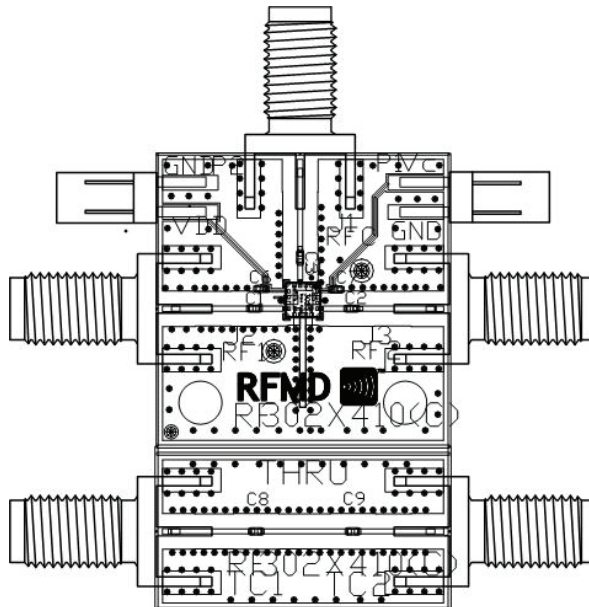
Truth Table

| V_C | RFC-RF1 | RFC-RF2 |
|-------|---------|---------|
| 0 | OFF | ON |
| 1 | ON | OFF |

Logic '0': $0V < V_C \leq 1.0V$

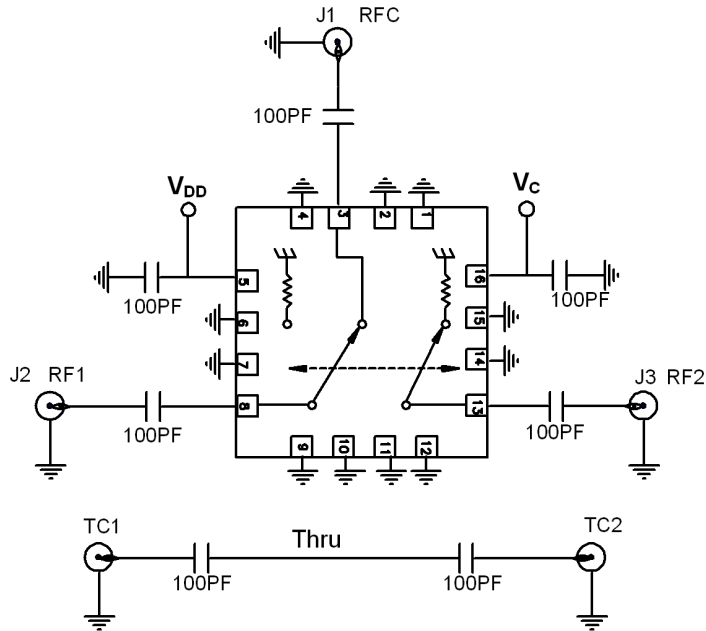
Logic '1': $2V < V_C \leq 5V$

Evaluation Board Layout



All Capacitors are 100pF

Evaluation Board Schematic

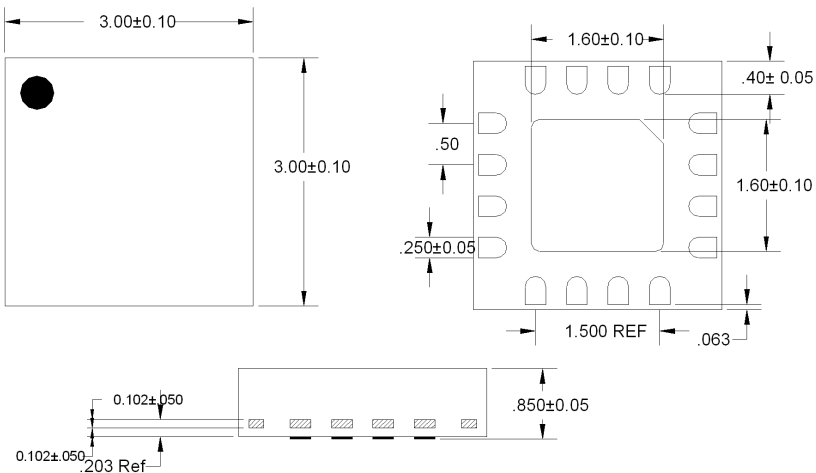


| Pin | Function | Description |
|-----|----------|--|
| 1 | GND | Ground. |
| 2 | GND | Ground. |
| 3 | RFC | RF Common. External DC Block required. |
| 4 | GND | Ground. |
| 5 | VDD | Supply Voltage. |
| 6 | GND | Ground. |
| 7 | GND | Ground. |
| 8 | RF1 | RF Port 1. External DC Block required. |
| 9 | GND | Ground. |
| 10 | GND | Ground. |
| 11 | GND | Ground. |
| 12 | GND | Ground. |
| 13 | RF2 | RF Port 2. External DC Block required. |
| 14 | GND | Ground. |
| 15 | GND | Ground. |
| 16 | VC | Control Voltage. |
| 17 | Paddle | Ground. |

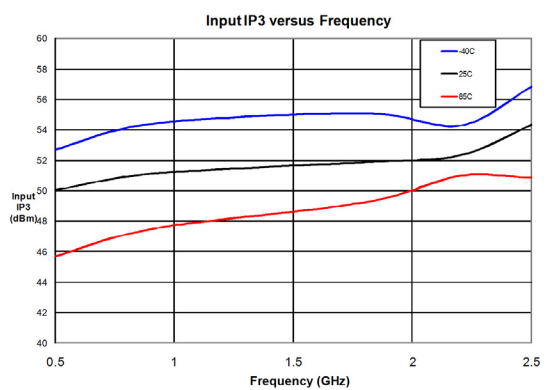
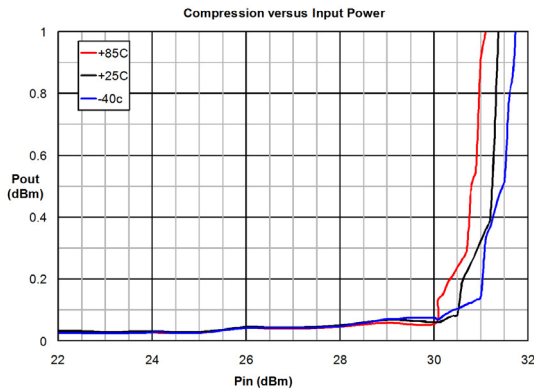
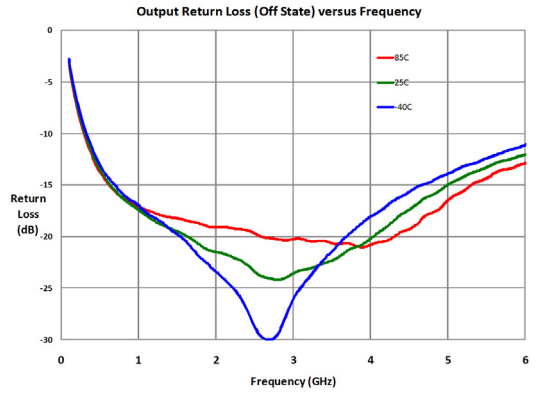
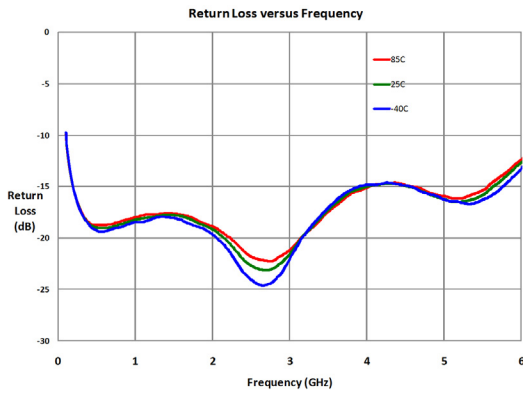
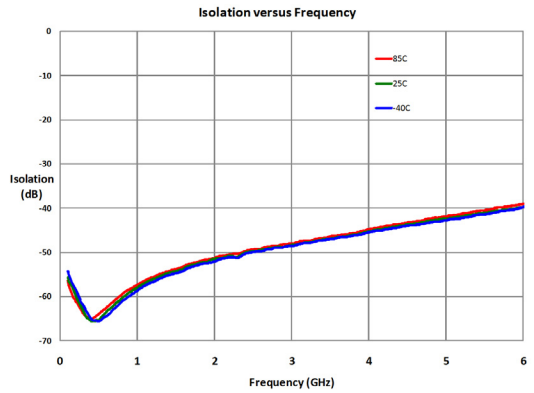
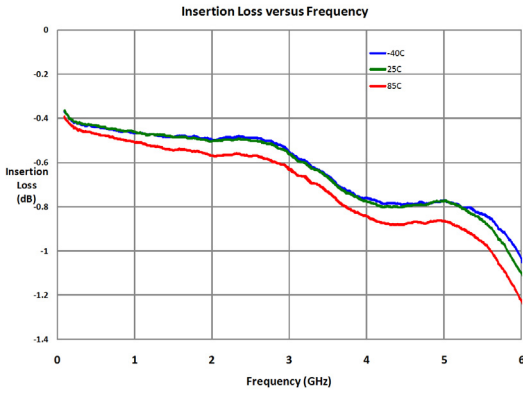
Package Drawing

Dimensions in millimeters

Refer to drawing posted at www.rfmd.com for tolerances.



Typical Performance at 25°C, V_{DD}=5V



Ordering Information

| Ordering Code | Description |
|---------------|--|
| RF3025 | Sample bag with 25 pieces |
| RF3025SR | 7" Reel with 100 pieces |
| RF3025TR7 | 7" Reel with 2500 pieces |
| RF3025PCK-410 | 500MHz to 4000MHz PCBA with 5-piece sample bag |



Компания «ЭлектроПласт» предлагает заключение долгосрочных отношений при поставках импортных электронных компонентов на взаимовыгодных условиях!

Наши преимущества:

- Оперативные поставки широкого спектра электронных компонентов отечественного и импортного производства напрямую от производителей и с крупнейших мировых складов;
- Поставка более 17-ти миллионов наименований электронных компонентов;
- Поставка сложных, дефицитных, либо снятых с производства позиций;
- Оперативные сроки поставки под заказ (от 5 рабочих дней);
- Экспресс доставка в любую точку России;
- Техническая поддержка проекта, помощь в подборе аналогов, поставка прототипов;
- Система менеджмента качества сертифицирована по Международному стандарту ISO 9001;
- Лицензия ФСБ на осуществление работ с использованием сведений, составляющих государственную тайну;
- Поставка специализированных компонентов (Xilinx, Altera, Analog Devices, Intersil, Interpoint, Microsemi, Aeroflex, Peregrine, Syfer, Eurofarad, Texas Instrument, Miteq, Cobham, E2V, MA-COM, Hittite, Mini-Circuits, General Dynamics и др.);

Помимо этого, одним из направлений компании «ЭлектроПласт» является направление «Источники питания». Мы предлагаем Вам помощь Конструкторского отдела:

- Подбор оптимального решения, техническое обоснование при выборе компонента;
- Подбор аналогов;
- Консультации по применению компонента;
- Поставка образцов и прототипов;
- Техническая поддержка проекта;
- Защита от снятия компонента с производства.



Как с нами связаться

Телефон: 8 (812) 309 58 32 (многоканальный)

Факс: 8 (812) 320-02-42

Электронная почта: org@eplast1.ru

Адрес: 198099, г. Санкт-Петербург, ул. Калинина, дом 2, корпус 4, литера А.