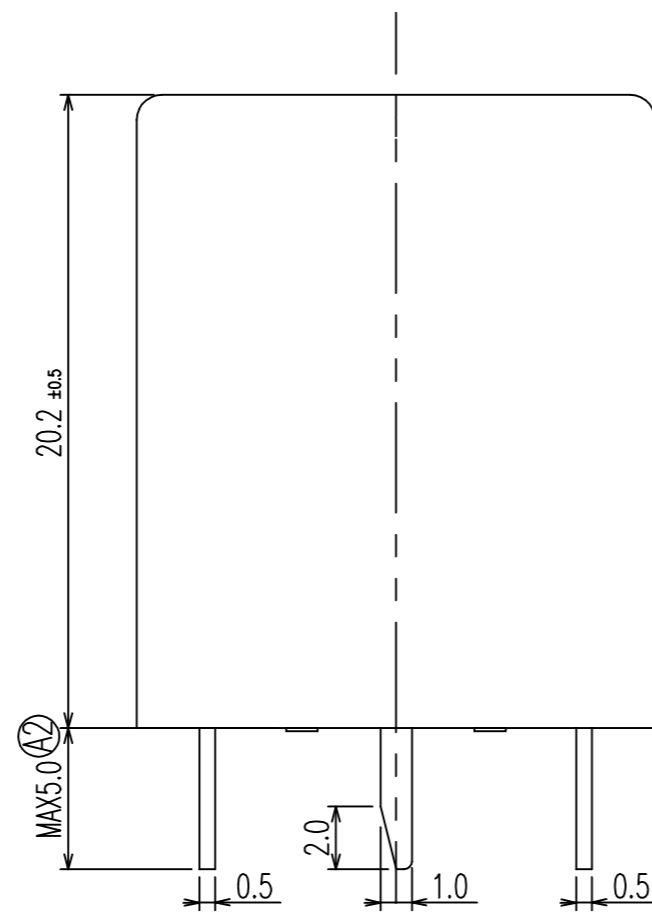
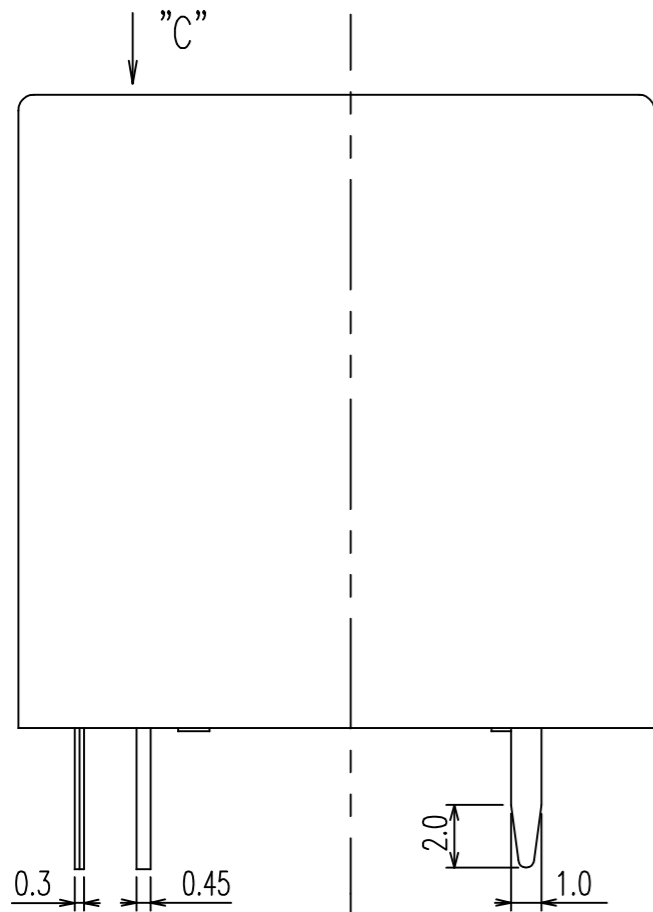
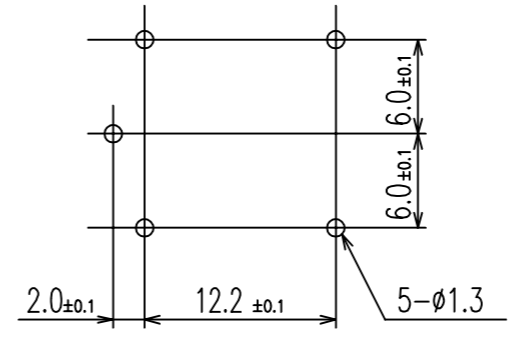


THIS DRAWING IS UNPUBLISHED. RELEASED FOR PUBLICATION
 © COPYRIGHT BY TYCO ELECTRONICS CORPORATION. ALL RIGHTS RESERVED.

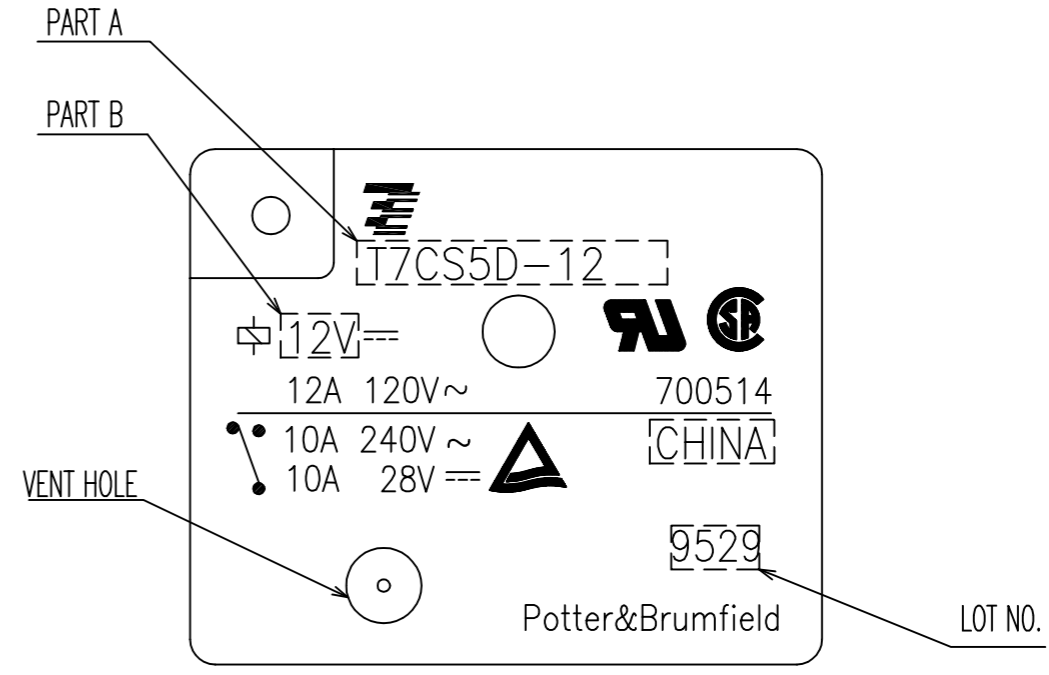
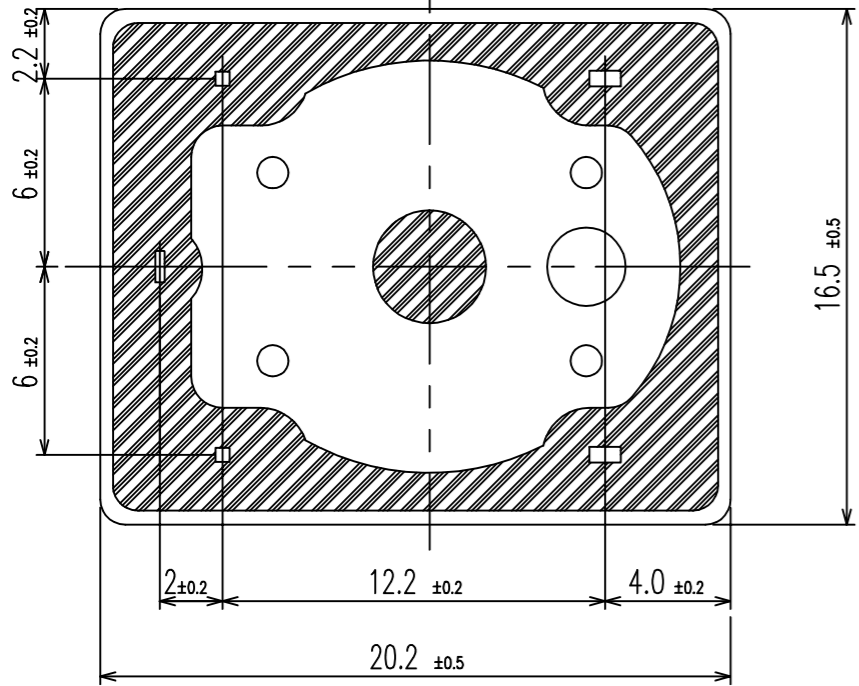
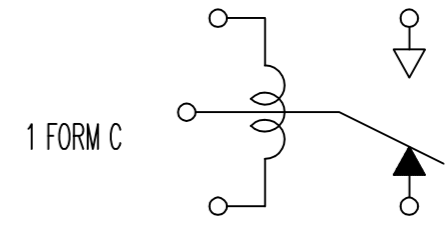
| LOC | DIST | REVISIONS | | | | | | |
|-----|------|-----------|-----|---------------------------------|---------------|-----------|-----|------|
| | | P | LTR | DESCRIPTION | ECN | DATE | DWN | APVD |
| | | | A1 | ADD NEW TYPE AND MODIFY MISTAKE | ECO-08-029446 | 14-NOV-08 | Z,Z | BH,Y |
| | | | A2 | DIMENSION CHANGE | ECO-10-004896 | 21-FEB-10 | Z,Z | BH,Y |
| | | | A3 | ADD NEW TYPE | ECO-10-009515 | 15-MAY-10 | Z,Z | BH,Y |



4. DRILLING DIAGRAM (BOTTOM VIEW)



3. CONNECTION DIAGRAM (BOTTOM VIEW)



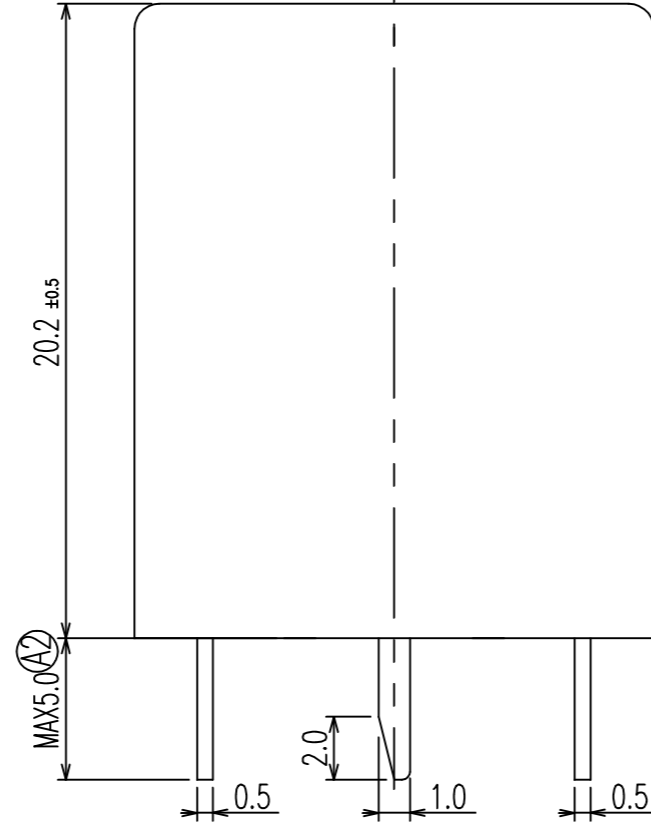
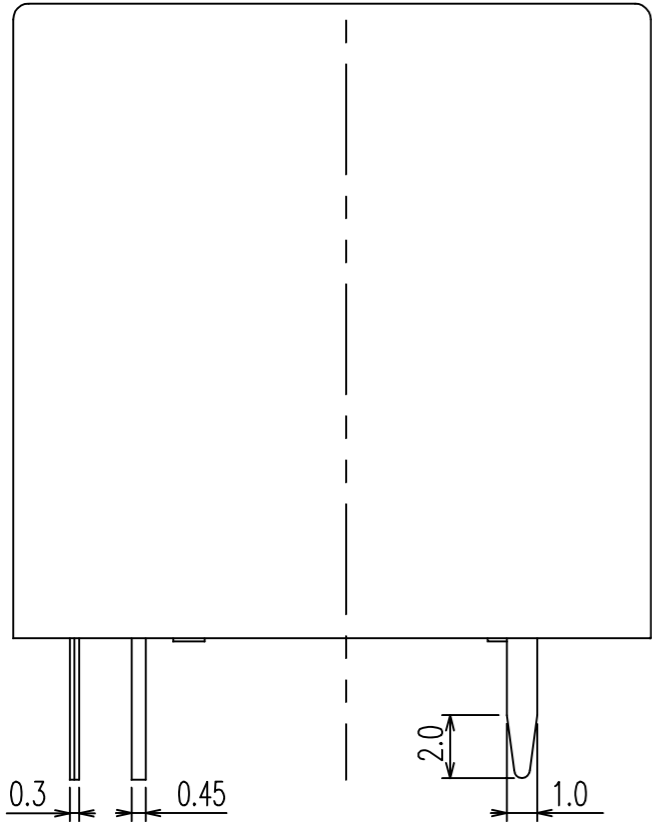
NOTE: LOT NO. SYSTEM AS FOLLOWING:

| DIMENTION TOLERANCE | |
|---------------------|------|
| Max. 1mm | ±0.1 |
| 1mm~Max. 3mm | ±0.2 |
| Min. 3mm | ±0.3 |

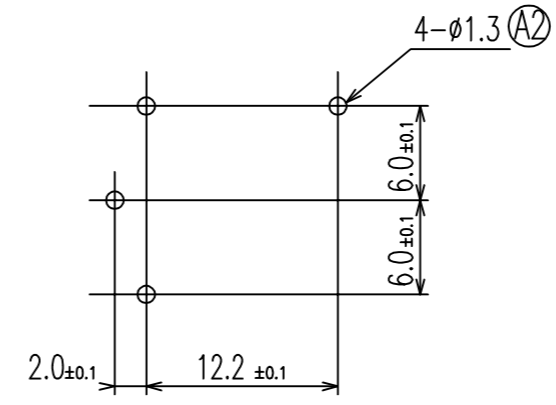
| | | | | |
|--|--|------------------|------------|---|
| THIS DRAWING IS A CONTROLLED DOCUMENT FOR TYCO ELECTRONICS CORPORATION IT IS SUBJECT TO CHANGE AND THE CONTROLLING ENGINEERING ORGANIZATION SHOULD BE CONTACTED FOR THE LATEST REVISION. | | DWN | H.SASAKI | Tyco Electronics Corporation ShenZhen, China |
| DIMENSIONS: mm | | CHK | N.FUNAYAMA | |
| TOLERANCES UNLESS OTHERWISE SPECIFIED: | | APVD | A.NAGAI | NAME |
| 0 PLC ± 1 PLC ± 2 PLC ± 3 PLC ± 4 PLC ± ANGLES ± | | PRODUCT SPEC | - | |
| MATERIAL | | APPLICATION SPEC | - | T7C*5(1)D-**,009 CUSTOMER DRAWING |
| FINISH | | WEIGHT | - | |
| | | SIZE | A3 | RESTRICTED TO |
| | | CAGE CODE | 00779 | - |
| | | DRAWING NO | 1393190 | - |
| CUSTOMER DRAWING | | SCALE | 4:1 | SHEET 1 OF 3 |
| | | REV | A3 | |

THIS DRAWING IS UNPUBLISHED. RELEASED FOR PUBLICATION
 © COPYRIGHT BY TYCO ELECTRONICS CORPORATION. ALL RIGHTS RESERVED.

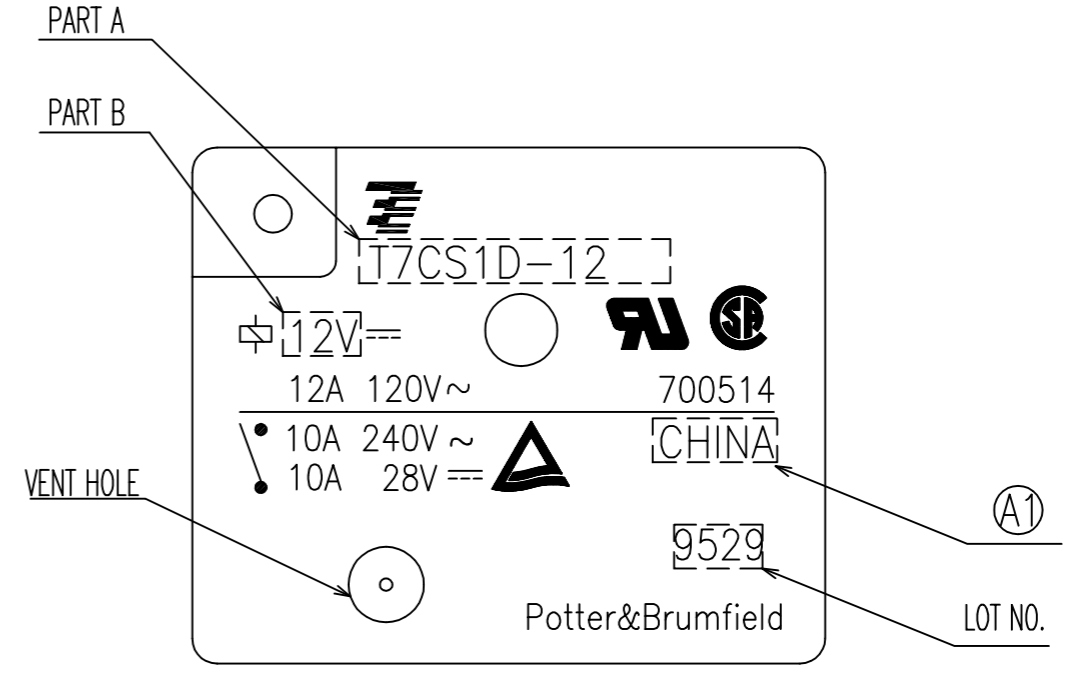
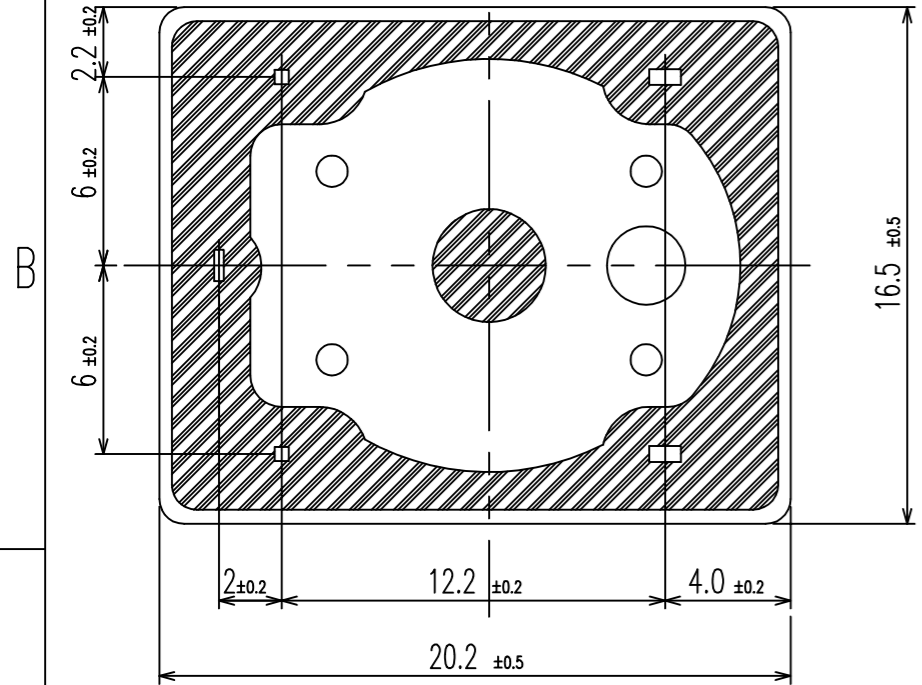
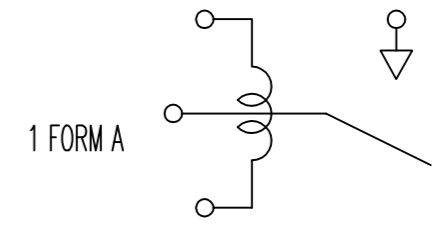
| LOC | DIST | REVISIONS | | | | | | |
|-----|------|-----------|-----|-------------|-----|------|-----|------|
| | | P | LTR | DESCRIPTION | ECN | DATE | DWN | APVD |
| | | | | | | | | |



4. DRILLING DIAGRAM (BOTTOM VIEW)



CONNECTION DIAGRAM (BOTTOM VIEW)



| | | | | |
|--|--|------------------|------------|---|
| THIS DRAWING IS A CONTROLLED DOCUMENT FOR TYCO ELECTRONICS CORPORATION IT IS SUBJECT TO CHANGE AND THE CONTROLLING ENGINEERING ORGANIZATION SHOULD BE CONTACTED FOR THE LATEST REVISION. | | DWN | H.SASAKI | Tyco Electronics Tyco Electronics Corporation ShenZhen, China |
| DIMENSIONS: mm | | CHK | N.FUNAYAMA | |
| TOLERANCES UNLESS OTHERWISE SPECIFIED: 0 PLC ± 1 PLC ± 2 PLC ± 3 PLC ± 4 PLC ± ANGLES ± | | APVD | A.NAGAI | NAME |
| MATERIAL | | PRODUCT SPEC | - | T7C*5(1)D-**,009 CUSTOMER DRAWING |
| FINISH | | APPLICATION SPEC | - | SIZE A3 CAGE CODE 00779 DRAWING NO 1393190 RESTRICTED TO - |
| - | | WEIGHT | - | SCALE 4:1 SHEET 2 OF 3 REV A3 |
| - | | CUSTOMER DRAWING | | |

4

3

2

1

THIS DRAWING IS UNPUBLISHED.

RELEASED FOR PUBLICATION

© COPYRIGHT

BY TYCO ELECTRONICS CORPORATION. ALL RIGHTS RESERVED.

LOC
HB

DIST

REVISIONS

| P | LTR | DESCRIPTION | ECN | DATE | DWN | APVD |
|---|-----|-------------|-----|------|-----|------|
| | | | | | | |
| | | | | | | |

| | | | | | |
|----|-----------|-------------|--------|-----------|------|
| Ⓐ3 | FIGURE 11 | 4-1393190-2 | 18V | T7CV1D-18 | U |
| Ⓐ1 | FIGURE 11 | 4-1393190-3 | 24V | T7CV1D-24 | t |
| Ⓐ1 | FIGURE 11 | 4-1393190-1 | 12V | T7CV1D-12 | s |
| | FIGURE 11 | 1-1393190-2 | 24V | T7CS1D-24 | r |
| | FIGURE 11 | 1-1393190-0 | 12V | T7CS1D-12 | q |
| | FIGURE 1 | 6-1393190-3 | 48V | T7CV5D-48 | p |
| | FIGURE 1 | 6-1393190-0 | 24V | T7CV5D-24 | o |
| | FIGURE 1 | 5-1393190-6 | 18V | T7CV5D-18 | n |
| | FIGURE 1 | 5-1393190-3 | 12V | T7CV5D-12 | m |
| | FIGURE 1 | 4-1393190-9 | 9V | T7CV5D-09 | l |
| | FIGURE 1 | 4-1393190-7 | 6V | T7CV5D-06 | k |
| | FIGURE 1 | 4-1393190-6 | 5V | T7CV5D-05 | j |
| | FIGURE 1 | 4-1393190-5 | 3V | T7CV5D-03 | i |
| | FIGURE 1 | 3-1393190-1 | 48V | T7CS5D-48 | h |
| | FIGURE 1 | 2-1393190-8 | 24V | T7CS5D-24 | g |
| | FIGURE 1 | 2-1393190-5 | 18V | T7CS5D-18 | f |
| | FIGURE 1 | 2-1393190-2 | 12V | T7CS5D-12 | e |
| | FIGURE 1 | 2-1393190-0 | 9V | T7CS5D-09 | d |
| | FIGURE 1 | 1-1393190-9 | 6V | T7CS5D-06 | c |
| | FIGURE 1 | 1-1393190-8 | 5V | T7CS5D-05 | b |
| | FIGURE 1 | 1-1393190-7 | 3V | T7CS5D-03 | a |
| | FIGURE | TE PART NO | PART B | PART A | ITEM |

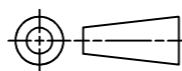
RELAY TYPE

| | UV RESIN | UV SEAL(FOR SEALED TYPE) | 14 |
|------------------|-------------|--------------------------|------|
| | EPOXY RESIN | SEAL | 13 |
| | MW79 | MAGNETIC WIRE | 12 |
| UL94 V-0 | PBT | CASE | 11 |
| UL94 V-0 CLASS-F | PET | BOBBIN | 10 |
| | CP WIRE | COIL TERMINAL | 9 |
| | Ag ALLOY | STATIONARY CONTACT | 8 |
| | Ag ALLOY | MOVABLE CONTACT | 7 |
| | Cu ALLOY | NC TERMINAL | 6 |
| | Cu ALLOY | NO TERMINAL | 5 |
| | Cu ALLOY | MOVABLE SPRING | 4 |
| | STEEL | CORE | 3 |
| | STEEL | ARMATURE | 2 |
| | STEEL | YOKE | 1 |
| INCOMBUSTIBILITY | MATERIAL | DESCRIPTION | ITEM |

THIS DRAWING IS A CONTROLLED DOCUMENT FOR TYCO ELECTRONICS CORPORATION IT IS SUBJECT TO CHANGE AND THE CONTROLLING ENGINEERING ORGANIZATION SHOULD BE CONTACTED FOR THE LATEST REVISION.

DIMENSIONS:

mm



TOLERANCES UNLESS OTHERWISE SPECIFIED:

| | |
|--------|---|
| 0 PLC | ± |
| 1 PLC | ± |
| 2 PLC | ± |
| 3 PLC | ± |
| 4 PLC | ± |
| ANGLES | ± |

MATERIAL

-

FINISH

-

DWN H.SASAKI

CHK N.FUNAYAMA

APVD A.NAGAI

PRODUCT SPEC -

APPLICATION SPEC -

WEIGHT -

CUSTOMER DRAWING



Tyco Electronics Corporation
ShenZhen, China

NAME

T7C*5(1)D-**,009 CUSTOMER DRAWING

SIZE

A3

CAGE CODE

00779

DRAWING NO

C- 1393190

RESTRICTED TO

-

SCALE 4:1

SHEET 3 OF 3

REV A3



Компания «ЭлектроПласт» предлагает заключение долгосрочных отношений при поставках импортных электронных компонентов на взаимовыгодных условиях!

Наши преимущества:

- Оперативные поставки широкого спектра электронных компонентов отечественного и импортного производства напрямую от производителей и с крупнейших мировых складов;
- Поставка более 17-ти миллионов наименований электронных компонентов;
- Поставка сложных, дефицитных, либо снятых с производства позиций;
- Оперативные сроки поставки под заказ (от 5 рабочих дней);
- Экспресс доставка в любую точку России;
- Техническая поддержка проекта, помощь в подборе аналогов, поставка прототипов;
- Система менеджмента качества сертифицирована по Международному стандарту ISO 9001;
- Лицензия ФСБ на осуществление работ с использованием сведений, составляющих государственную тайну;
- Поставка специализированных компонентов (Xilinx, Altera, Analog Devices, Intersil, Interpoint, Microsemi, Aeroflex, Peregrine, Syfer, Eurofarad, Texas Instrument, Miteq, Cobham, E2V, MA-COM, Hittite, Mini-Circuits, General Dynamics и др.);

Помимо этого, одним из направлений компании «ЭлектроПласт» является направление «Источники питания». Мы предлагаем Вам помощь Конструкторского отдела:

- Подбор оптимального решения, техническое обоснование при выборе компонента;
- Подбор аналогов;
- Консультации по применению компонента;
- Поставка образцов и прототипов;
- Техническая поддержка проекта;
- Защита от снятия компонента с производства.



Как с нами связаться

Телефон: 8 (812) 309 58 32 (многоканальный)

Факс: 8 (812) 320-02-42

Электронная почта: org@eplast1.ru

Адрес: 198099, г. Санкт-Петербург, ул. Калинина, дом 2, корпус 4, литера А.