

Order Information

	Model	Light Color	Electricity (W)	Weight (g)	Connectable Option	Connectable Lighting Controller *		Dimensions
					Diffusion Plates	Camera-mount Lighting Controller FLV-TCC Series	Analog Lighting Controller FLV-ATC Series	
Direct Ring Lighting	FLV-DR3220W	White	1.2	60	FLV-DR3220DF	○	○	A
	FLV-DR3220R	Red	1.2	60	FLV-DR3220DF	○	○	A
	FLV-DR3220B	Blue	1.2	60	FLV-DR3220DF	○	○	A
	FLV-DR5030W	White	2.4	60	FLV-DR5030DF	○	○	B
	FLV-DR5030R	Red	1.6	60	FLV-DR5030DF	○	○	B
	FLV-DR5030B	Blue	2.4	60	FLV-DR5030DF	○	○	B
	FLV-DR5030IR	Infrared Light	1.5	60	FLV-DR5030DF	○	○	B
	FLV-DR5030UV	Ultraviolet Light	2.9	60	FLV-DR5030DF	○	○	B
	FLV-DR6615W	White	3.4	120	FLV-DR6615DF	○	○	C
	FLV-DR6615R	Red	2.4	120	FLV-DR6615DF	○	○	C
	FLV-DR6615B	Blue	3.4	120	FLV-DR6615DF	○	○	C
	FLV-DR7000W	White	3.6	110	FLV-DR7000DF	○	○	D
	FLV-DR7000R	Red	2.4	110	FLV-DR7000DF	○	○	D
	FLV-DR7000B	Blue	3.6	110	FLV-DR7000DF	○	○	D
	FLV-DR7030W	White	3.6	120	FLV-DR7030DF	○	○	E
	FLV-DR7030R	Red	2.4	120	FLV-DR7030DF	○	○	E
	FLV-DR7030B	Blue	3.6	120	FLV-DR7030DF	○	○	E
	FLV-DR7030IR	Infrared Light	2.4	120	FLV-DR7030DF	○	○	E
	FLV-DR7030UV	Ultraviolet Light	5.3	120	FLV-DR7030DF	○	○	E
	FLV-DR9000W	White	6.3	230	FLV-DR9000DF	○	○	F
	FLV-DR9000R	Red	4.4	230	FLV-DR9000DF	○	○	F
	FLV-DR9000B	Blue	6.3	230	FLV-DR9000DF	○	○	F
	FLV-DR9030W	White	5.8	200	FLV-DR9030DF	○	○	G
	FLV-DR9030R	Red	4.4	200	FLV-DR9030DF	○	○	G
	FLV-DR9030B	Blue	5.8	200	FLV-DR9030DF	○	○	G
	FLV-DR9030IR	Infrared Light	3.9	200	FLV-DR9030DF	○	○	G
	FLV-DR9030UV	Ultraviolet Light	6.8	200	FLV-DR9030DF	○	○	G
	FLV-DR9215W	White	5.3	200	FLV-DR9215DF	○	○	H
	FLV-DR9215R	Red	4.6	200	FLV-DR9215DF	○	○	H
	FLV-DR9215B	Blue	5.3	200	FLV-DR9215DF	○	○	H
FLV-DR12030W	White	8.7	360	FLV-DR12030DF	○	○	I	
FLV-DR12030R	Red	6.5	360	FLV-DR12030DF	○	○	I	
FLV-DR12030B	Blue	8.7	360	FLV-DR12030DF	○	○	I	
Low Angle Ring Lighting	FLV-DL5890W	White	1.6	90	FLV-DL5890DF	○	○	J
	FLV-DL5890R	Red	1.2	90	FLV-DL5890DF	○	○	J
	FLV-DL5890B	Blue	1.6	90	FLV-DL5890DF	○	○	J
	FLV-DL7260W	White	4.4	120	FLV-DL7260DF	○	○	K
	FLV-DL7260R	Red	3.5	120	FLV-DL7260DF	○	○	K
	FLV-DL7260B	Blue	4.4	120	FLV-DL7260DF	○	○	K
	FLV-DL9090W	White	2.4	100	-	○	○	L
	FLV-DL9090R	Red	1.6	100	-	○	○	L
	FLV-DL9090B	Blue	2.4	100	-	○	○	L
	FLV-DL12060W	White	11.6	310	FLV-DL12060DF	○	○	M
	FLV-DL12060R	Red	7.7	310	FLV-DL12060DF	○	○	M
	FLV-DL12060B	Blue	11.6	310	FLV-DL12060DF	○	○	M
	FLV-DL15060W	White	13.5	260	FLV-DL15060DF	○	○	N
	FLV-DL15060R	Red	10.1	260	FLV-DL15060DF	○	○	N
	FLV-DL15060B	Blue	13.5	260	FLV-DL15060DF	○	○	N

*: The table shows whether each Lighting can be connected to Lighting Controllers. When multiple Lightings are connected to a Lighting Controller, make sure that the total electricity of all connected Lightings does not exceed the electricity of connectable lighting of each Lighting Controller.

○: Connectable. Light can be continuously emitted.

○: Connectable. Light can be emitted only while the trigger is input.

X: Not connectable

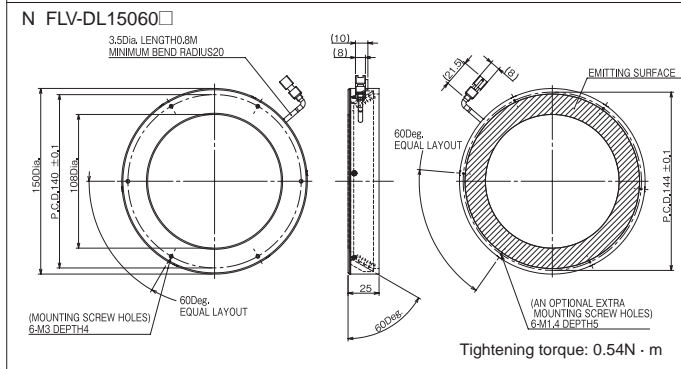
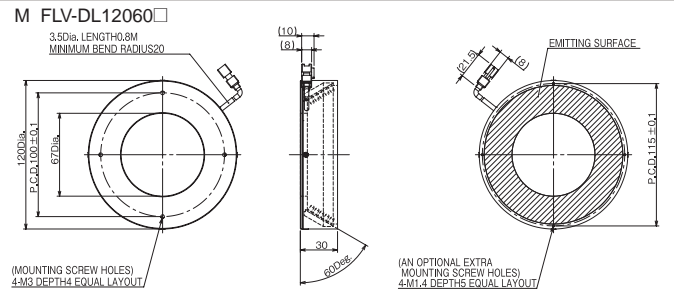
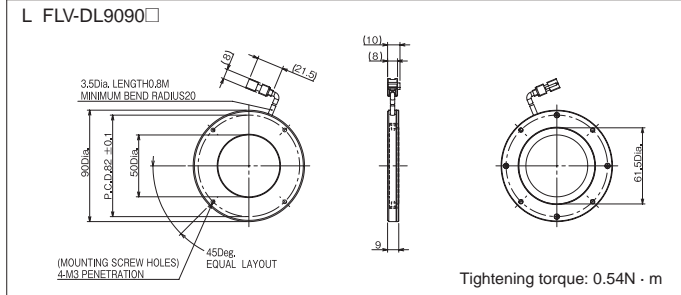
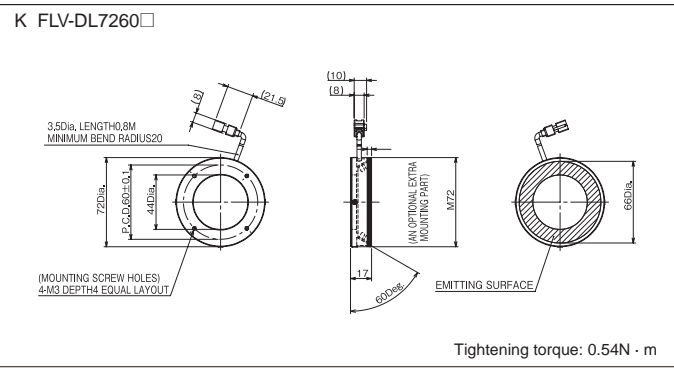
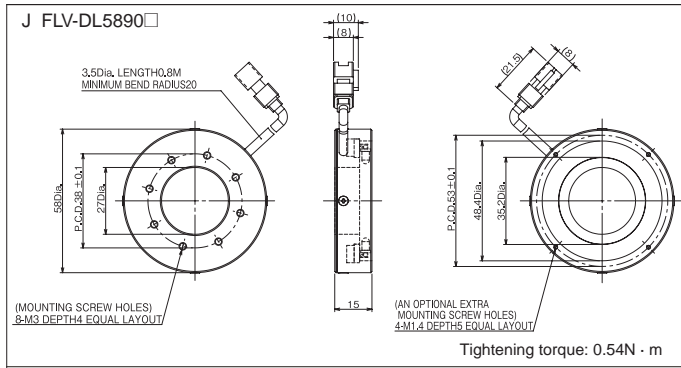
Direct Ring Lighting/Low Angle Ring Lighting FLV-DR Series/-DL Series

Dimensions

● Direct Ring Lighting

<p>A FLV-DR3220</p> <p>Tightening torque: 0.54N · m</p>	<p>B FLV-DR5030</p> <p>Tightening torque: 0.54N · m</p>
<p>C FLV-DR6615</p> <p>Tightening torque: 0.54N · m</p>	<p>D FLV-DR7000</p> <p>Tightening torque: 0.54N · m</p>
<p>E FLV-DR7030</p> <p>Tightening torque: 0.54N · m</p>	<p>F FLV-DR9000</p> <p>Tightening torque: 0.54N · m</p>
<p>G FLV-DR9030</p> <p>Tightening torque: 0.54N · m</p>	<p>H FLV-DR9215</p> <p>Tightening torque: 0.54N · m</p>
<p>I FLV-DR12030</p> <p>Tightening torque: 0.54N · m</p>	

●Low Angle Ring Lighting



Bar Lighting FLV-BR Series

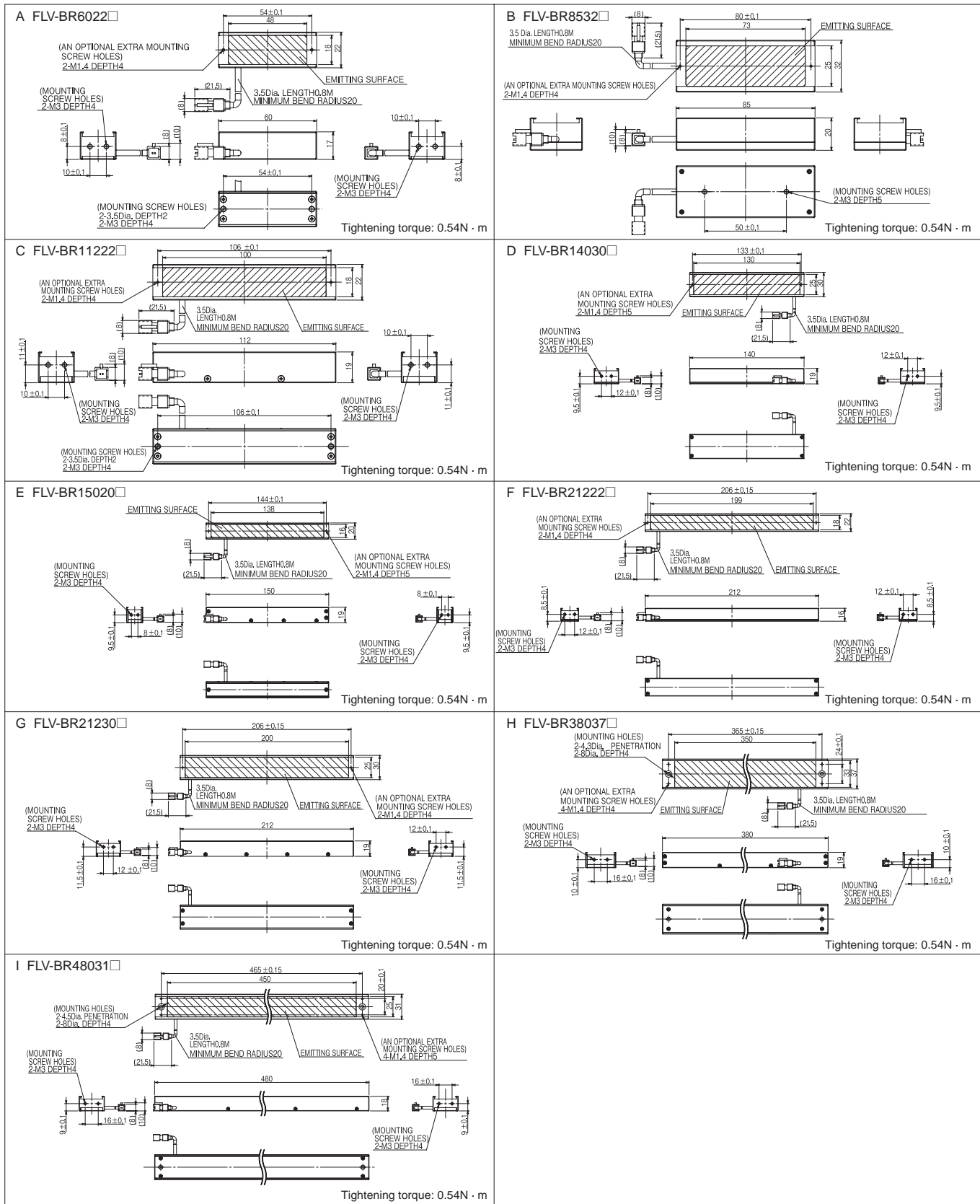
Order Information

Model	Light Color	Electricity (W)	Weight (g)	Connectable Option	Connectable Lighting Controller *		Dimensions
				Diffusion Plates	Camera-mount Lighting Controller FLV-TCC Series	Analog Lighting Controller FLV-ATC Series	
FLV-BR6022W	White	1.2	60	FLV-BR6022DF	○	○	A
FLV-BR6022R	Red	1.2	60	FLV-BR6022DF	○	○	A
FLV-BR6022B	Blue	1.2	60	FLV-BR6022DF	○	○	A
FLV-BR6022IR	Infrared Light	0.9	60	FLV-BR6022DF	○	○	A
FLV-BR6022UV	Ultraviolet Light	1.7	60	FLV-BR6022DF	○	○	A
FLV-BR8532W	White	3.9	130	FLV-BR8532DF	○	○	B
FLV-BR8532R	Red	2.9	130	FLV-BR8532DF	○	○	B
FLV-BR8532B	Blue	3.9	130	FLV-BR8532DF	○	○	B
FLV-BR11222W	White	2.4	100	FLV-BR11222DF	○	○	C
FLV-BR11222R	Red	2	100	FLV-BR11222DF	○	○	C
FLV-BR11222B	Blue	2.4	100	FLV-BR11222DF	○	○	C
FLV-BR11222IR	Infrared Light	1.7	100	FLV-BR11222DF	○	○	C
FLV-BR11222UV	Ultraviolet Light	3.9	100	FLV-BR11222DF	○	○	C
FLV-BR14030W	White	6	140	FLV-BR14030DF	○	○	D
FLV-BR14030R	Red	4.1	140	FLV-BR14030DF	○	○	D
FLV-BR14030B	Blue	6	140	FLV-BR14030DF	○	○	D
FLV-BR15020W	White	2.9	120	FLV-BR15020DF	○	○	E
FLV-BR15020R	Red	2.4	120	FLV-BR15020DF	○	○	E
FLV-BR15020B	Blue	2.9	120	FLV-BR15020DF	○	○	E
FLV-BR21222W	White	6	140	FLV-BR21222DF	○	○	F
FLV-BR21222R	Red	4.4	140	FLV-BR21222DF	○	○	F
FLV-BR21222B	Blue	6	140	FLV-BR21222DF	○	○	F
FLV-BR21230W	White	8.4	220	FLV-BR21230DF	○	○	G
FLV-BR21230R	Red	6.8	220	FLV-BR21230DF	○	○	G
FLV-BR21230B	Blue	8.4	220	FLV-BR21230DF	○	○	G
FLV-BR21230IR	Infrared Light	6	220	FLV-BR21230DF	○	○	G
FLV-BR21230UV	Ultraviolet Light	13	220	FLV-BR21230DF	○	○	G
FLV-BR38037W	White	14.9	430	FLV-BR48031DF	○	○	H
FLV-BR38037R	Red	11.6	430	FLV-BR48031DF	○	○	H
FLV-BR38037B	Blue	14.9	430	FLV-BR48031DF	○	○	H
FLV-BR48031W	White	17.6	460	FLV-BR48031DF	X	○	I
FLV-BR48031R	Red	15.9	460	FLV-BR48031DF	X	○	I
FLV-BR48031B	Blue	17.6	460	FLV-BR48031DF	X	○	I

*: The table shows whether each Lighting can be connected to Lighting Controllers. When multiple Lightings are connected to a Lighting Controller, make sure that the total electricity of all connected Lightings does not exceed the electricity of connectable lighting of each Lighting Controller.

- : Connectable. Light can be continuously emitted.
- : Connectable. Light can be emitted only while the trigger is input.
- X: Not connectable

Dimensions



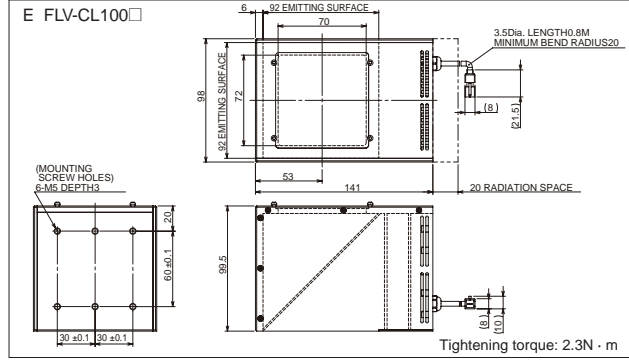
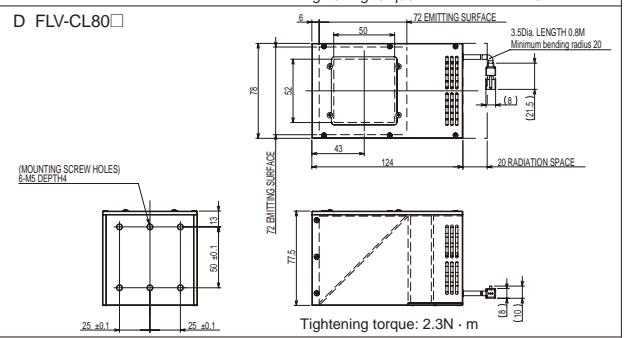
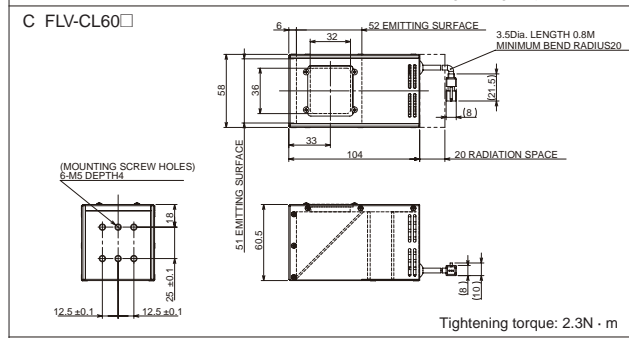
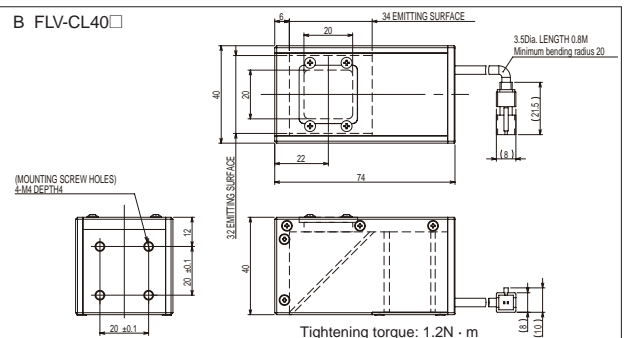
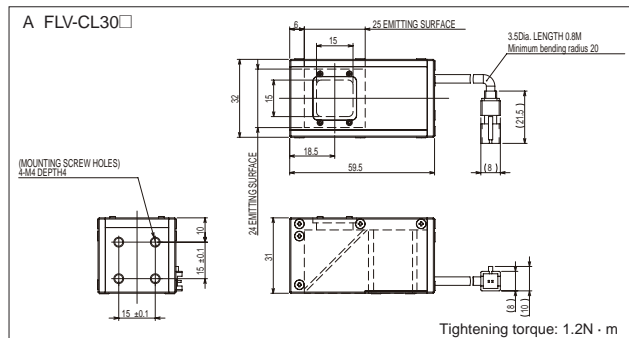
Coaxial Lighting FLV-CL Series

Order Information

Model	Light Color	Electricity (W)	Weight (g)	Connectable Lighting Controller *		Dimensions
				Camera-mount Lighting Controller FLV-TCC Series	Analog Lighting Controller FLV-ATC Series	
FLV-CL30W	White	2	110	○	○	A
FLV-CL30R	Red	1.1	110	○	○	A
FLV-CL30B	Blue	2	110	○	○	A
FLV-CL40W	White	3.6	170	○	○	B
FLV-CL40R	Red	2.2	170	○	○	B
FLV-CL40B	Blue	3.6	170	○	○	B
FLV-CL60W	White	9.2	380	○	○	C
FLV-CL60R	Red	4.8	380	○	○	C
FLV-CL60B	Blue	9.2	380	○	○	C
FLV-CL60IR	Infrared Light	3.9	380	○	○	C
FLV-CL60UV	Ultraviolet Light	9.2	380	○	○	C
FLV-CL80W	White	14.4	580	○	○	D
FLV-CL80R	Red	9.6	580	○	○	D
FLV-CL80B	Blue	14.4	580	○	○	D
FLV-CL100W	White	21.2	820	X	○	E
FLV-CL100R	Red	14	820	○	○	E
FLV-CL100B	Blue	21.2	820	X	○	E

*: The table shows whether each Lighting can be connected to Lighting Controllers. When multiple Lightings are connected to a Lighting Controller, make sure that the total electricity of all connected Lightings does not exceed the electricity of connectable lighting of each Lighting Controller.
 ○: Connectable. Light can be continuously emitted. ○: Connectable. Light can be emitted only while the trigger is input. X: Not connectable

Dimensions



Shadowless Lighting FLV-FS Series

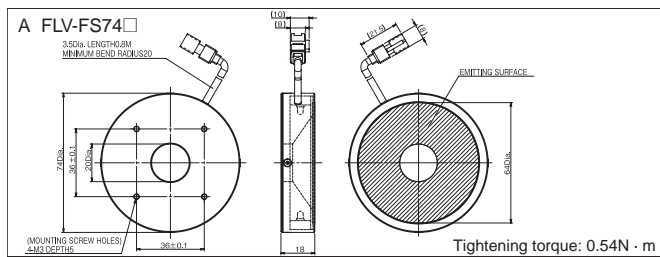
Order Information

Model	Light Color	Electricity (W)	Weight (g)	Connectable Lighting Controller *		Dimensions
				Camera-mount Lighting Controller FLV-TCC Series	Analog Lighting Controller FLV-ATC Series	
FLV-FS74W	White	4.1	140	○	○	A
FLV-FS74R	Red	2.9	140	○	○	A
FLV-FS74B	Blue	4.1	140	○	○	A

*: The table shows whether each Lighting can be connected to Lighting Controllers. When multiple Lightings are connected to a Lighting Controller, make sure that the total electricity of all connected Lightings does not exceed the electricity of connectable lighting of each Lighting Controller.

- : Connectable. Light can be continuously emitted.
- : Connectable. Light can be emitted only while the trigger is input.
- ×: Not connectable

Dimensions



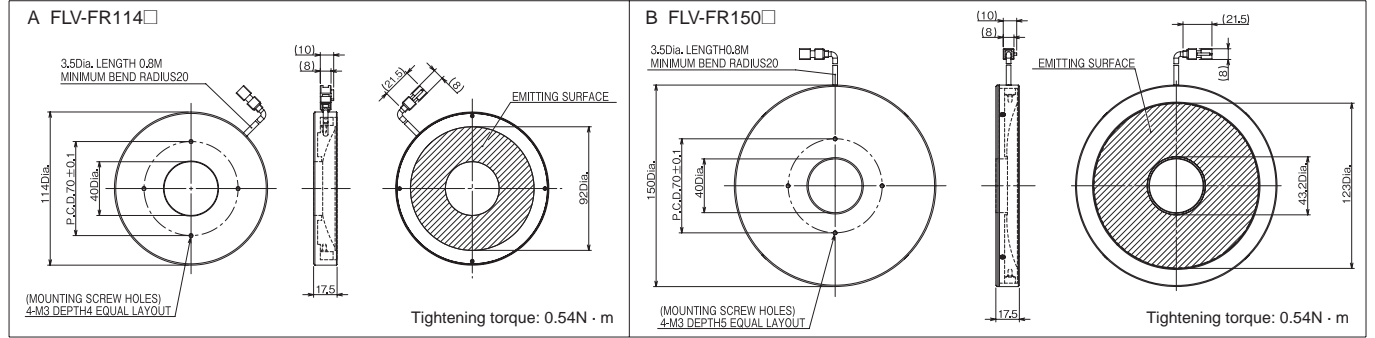
Shadowless Lighting FLV-FR Series

Order Information

Model	Light Color	Electricity (W)	Weight (g)	Connectable Lighting Controller *		Dimensions
				Camera-mount Lighting Controller FLV-TCC Series	Analog Lighting Controller FLV-ATC Series	
FLV-FR114W	White	3.2	270	○	○	A
FLV-FR114R	Red	2.4	270	○	○	A
FLV-FR114B	Blue	3.2	270	○	○	A
FLV-FR150W	White	4.8	500	○	○	B
FLV-FR150R	Red	2.9	500	○	○	B
FLV-FR150B	Blue	4.8	500	○	○	B

*: The table shows whether each Lighting can be connected to Lighting Controllers. When multiple Lightings are connected to a Lighting Controller, make sure that the total electricity of all connected Lightings does not exceed the electricity of connectable lighting of each Lighting Controller.
 ○: Connectable. Light can be continuously emitted.
 ○: Connectable. Light can be emitted only while the trigger is input.
 X: Not connectable

Dimensions



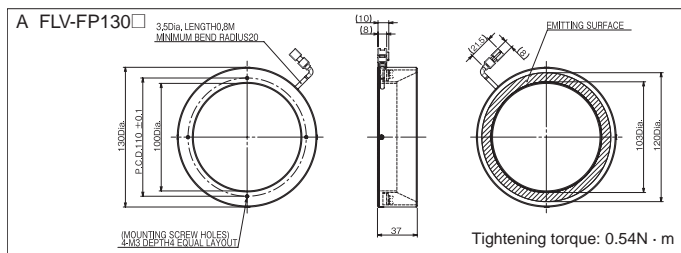
Order Information

Model	Light Color	Electricity (W)	Weight (g)	Connectable Lighting Controller *		Dimensions
				Camera-mount Lighting Controller FLV-TCC Series	Analog Lighting Controller FLV-ATC Series	
FLV-FP130W	White	6.8	320	○	○	A
FLV-FP130R	Red	6	320	○	○	A
FLV-FP130B	Blue	6.8	320	○	○	A

*: The table shows whether each Lighting can be connected to Lighting Controllers. When multiple Lightings are connected to a Lighting Controller, make sure that the total electricity of all connected Lightings does not exceed the electricity of connectable lighting of each Lighting Controller.

- : Connectable. Light can be continuously emitted.
- : Connectable. Light can be emitted only while the trigger is input.
- ×: Not connectable

Dimensions



Shadowless Lighting FLV-FQ Series

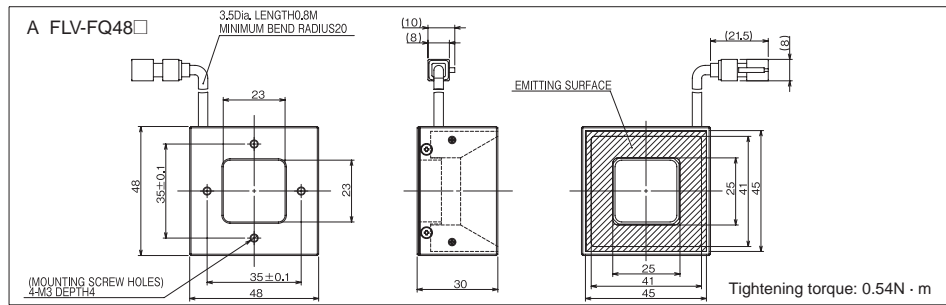
Order Information

Model	Light Color	Electricity (W)	Weight (g)	Connectable Lighting Controller *		Dimensions
				Camera-mount Lighting Controller FLV-TCC Series	Analog Lighting Controller FLV-ATC Series	
FLV-FQ48W	White	1.8	100	○	○	A
FLV-FQ48R	Red	1.1	100	○	○	A
FLV-FQ48B	Blue	1.8	100	○	○	A

*: The table shows whether each Lighting can be connected to Lighting Controllers. When multiple Lightings are connected to a Lighting Controller, make sure that the total electricity of all connected Lightings does not exceed the electricity of connectable lighting of each Lighting Controller.

- : Connectable. Light can be continuously emitted.
- : Connectable. Light can be emitted only while the trigger is input.
- X: Not connectable

Dimensions



Direct Back Lighting FLV-DB Series

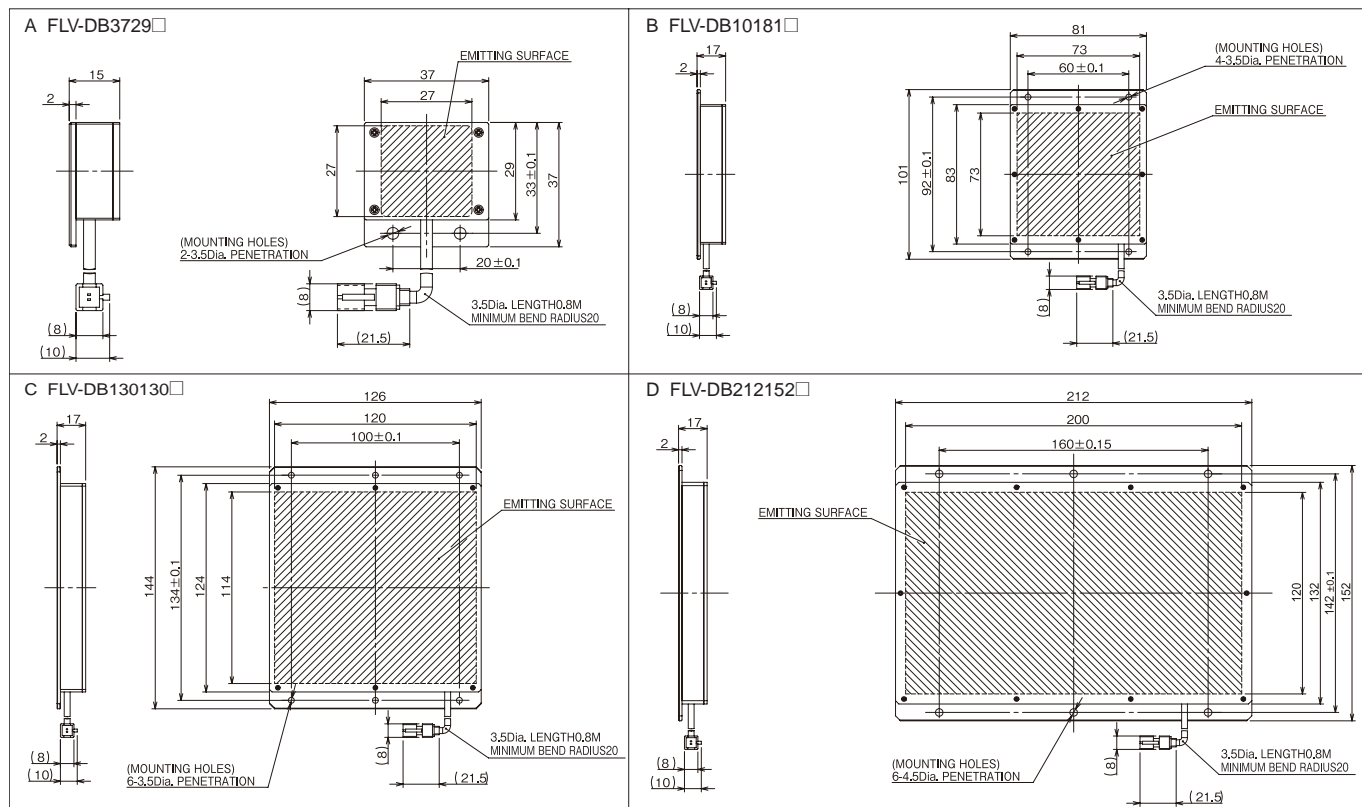
Order Information

Model	Light Color	Electricity (W)	Weight (g)	Connectable Lighting Controller *		Dimensions
				Camera-mount Lighting Controller FLV-TCC Series	Analog Lighting Controller FLV-ATC Series	
FLV-DB3729W	White	0.9	50	○	○	A
FLV-DB3729R	Red	0.9	50	○	○	A
FLV-DB3729B	Blue	0.9	50	○	○	A
FLV-DB10181W	White	8	160	○	○	B
FLV-DB10181R	Red	4.8	160	○	○	B
FLV-DB10181B	Blue	8	160	○	○	B
FLV-DB130130W	White	15.2	270	×	○	C
FLV-DB130130R	Red	10.1	270	○	○	C
FLV-DB130130B	Blue	15.2	270	×	○	C
FLV-DB212152W	White	28.8	510	×	○	D
FLV-DB212152R	Red	17.3	510	×	○	D
FLV-DB212152B	Blue	28.8	510	×	○	D

*: The table shows whether each Lighting can be connected to Lighting Controllers. When multiple Lightings are connected to a Lighting Controller, make sure that the total electricity of all connected Lightings does not exceed the electricity of connectable lighting of each Lighting Controller.

- : Connectable. Light can be continuously emitted.
- : Connectable. Light can be emitted only while the trigger is input.
- ×

Dimensions



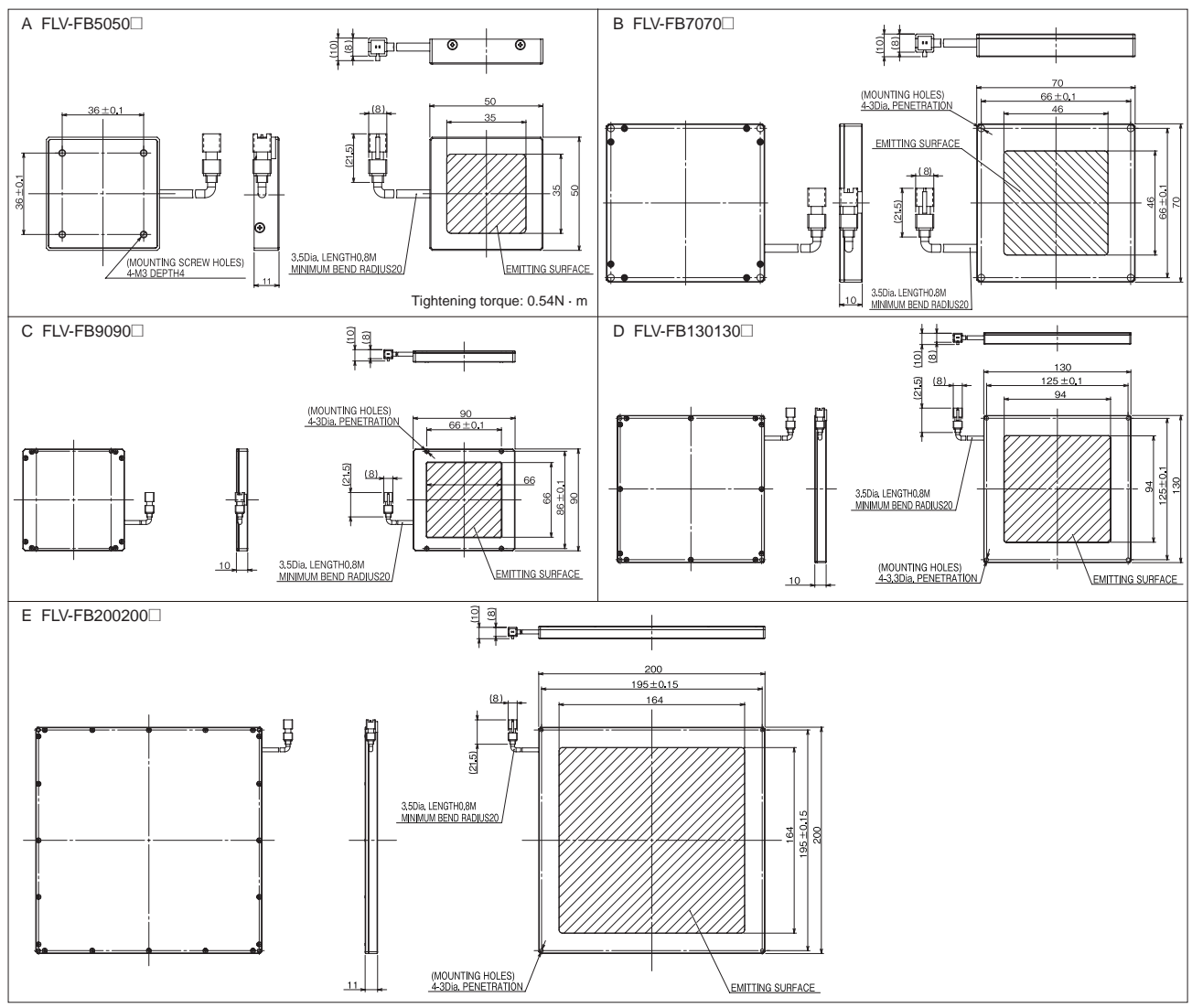
Edge Type Lighting FLV-FB Series

Order Information

Model	Light Color	Electricity (W)	Weight (g)	Connectable Lighting Controller *		Dimensions
				Camera-mount Lighting Controller FLV-TCC Series	Analog Lighting Controller FLV-ATC Series	
FLV-FB5050W	White	1.8	80	○	○	A
FLV-FB5050R	Red	0.9	80	○	○	A
FLV-FB5050B	Blue	1.8	80	○	○	A
FLV-FB7070W	White	1.8	90	○	○	B
FLV-FB7070R	Red	1.8	90	○	○	B
FLV-FB7070B	Blue	1.8	90	○	○	B
FLV-FB9090W	White	3.4	160	○	○	C
FLV-FB9090R	Red	1.8	160	○	○	C
FLV-FB9090B	Blue	3.4	160	○	○	C
FLV-FB130130W	White	5.3	230	○	○	D
FLV-FB130130R	Red	2.7	230	○	○	D
FLV-FB130130B	Blue	5.3	230	○	○	D
FLV-FB200200W	White	6.8	710	○	○	E
FLV-FB200200R	Red	5.1	710	○	○	E
FLV-FB200200B	Blue	6.8	710	○	○	E

*: The table shows whether each Lighting can be connected to Lighting Controllers. When multiple Lightings are connected to a Lighting Controller, make sure that the total electricity of all connected Lightings does not exceed the electricity of connectable lighting of each Lighting Controller.
 ○: Connectable. Light can be continuously emitted. ○: Connectable. Light can be emitted only while the trigger is input. X: Not connectable

Dimensions



Edge Type Coaxial Lighting FLV-FX Series

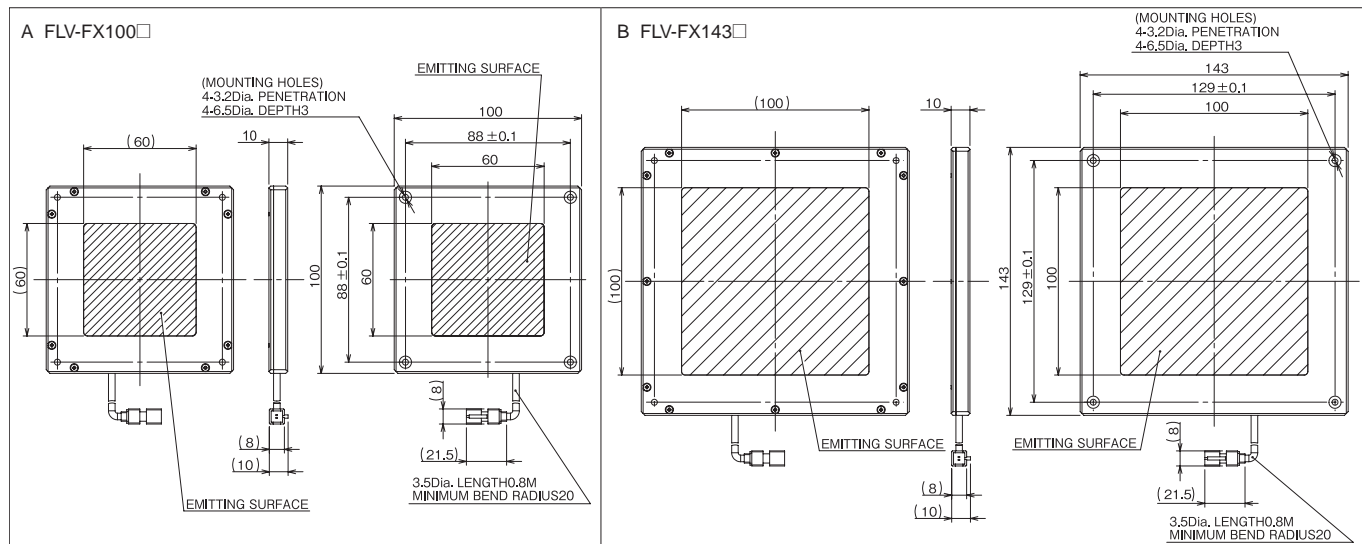
Order Information

Model	Light Color	Electricity (W)	Weight (g)	Connectable Lighting Controller *		Dimensions
				Camera-mount Lighting Controller FLV-TCC Series	Analog Lighting Controller FLV-ATC Series	
FLV-FX100W	White	3.9	180	○	○	A
FLV-FX100R	Red	2	180	○	○	A
FLV-FX100B	Blue	3.9	180	○	○	A
FLV-FX143W	White	5.3	240	○	○	B
FLV-FX143R	Red	3.9	240	○	○	B
FLV-FX143B	Blue	5.3	240	○	○	B

*: The table shows whether each Lighting can be connected to Lighting Controllers. When multiple Lightings are connected to a Lighting Controller, make sure that the total electricity of all connected Lightings does not exceed the electricity of connectable lighting of each Lighting Controller.

- : Connectable. Light can be continuously emitted.
- : Connectable. Light can be emitted only while the trigger is input.
- X: Not connectable

Dimensions



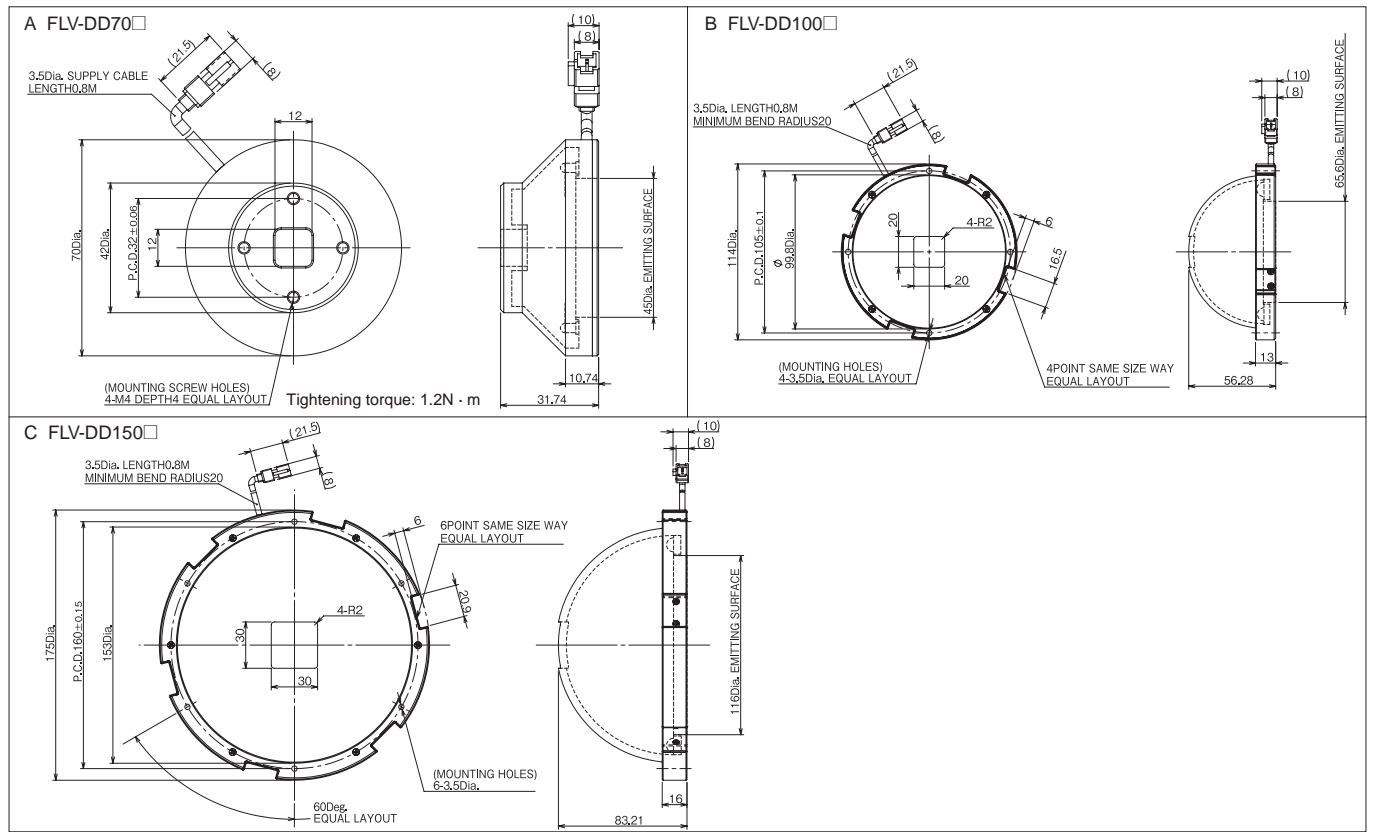
Dome Lighting FLV-DD Series

Order Information

Model	Light Color	Electricity (W)	Weight (g)	Connectable Lighting Controller *		Dimensions
				Camera-mount Lighting Controller FLV-TCC Series	Analog Lighting Controller FLV-ATC Series	
FLV-DD70W	White	2	130	○	○	A
FLV-DD70R	Red	2	130	○	○	A
FLV-DD70B	Blue	2	130	○	○	A
FLV-DD100W	White	14.4	210	○	○	B
FLV-DD100R	Red	9.6	210	○	○	B
FLV-DD100B	Blue	14.4	210	○	○	B
FLV-DD150W	White	14.4	490	○	○	C
FLV-DD150R	Red	9.6	490	○	○	C
FLV-DD150B	Blue	14.4	490	○	○	C

*: The table shows whether each Lighting can be connected to Lighting Controllers. When multiple Lightings are connected to a Lighting Controller, make sure that the total electricity of all connected Lightings does not exceed the electricity of connectable lighting of each Lighting Controller.
 ○: Connectable. Light can be continuously emitted.
 ○: Connectable. Light can be emitted only while the trigger is input.
 X: Not connectable

Dimensions



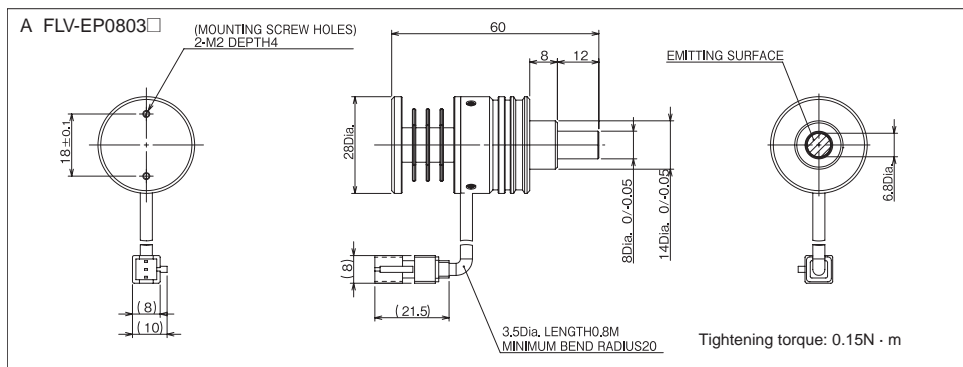
Order Information

Model	Light Color	Electricity (W)	Weight (g)	Connectable Lighting Controller *		Dimensions
				Camera-mount Lighting Controller FLV-TCC Series	Analog Lighting Controller FLV-ATC Series	
FLV-EP0803W	White	2.3	80	×	○	A
FLV-EP0803R	Red	2.3	80	×	○	A
FLV-EP0803B	Blue	2.3	80	×	○	A

*: The table shows whether each Lighting can be connected to Lighting Controllers. When multiple Lightings are connected to a Lighting Controller, make sure that the total electricity of all connected Lightings does not exceed the electricity of connectable lighting of each Lighting Controller.

- : Connectable. Light can be continuously emitted.
- : Connectable. Light can be emitted only while the trigger is input.
- ×

Dimensions



Spot Lighting FLV-EP50 Series

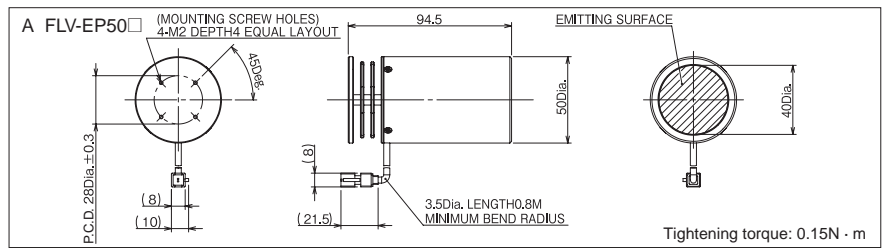
Order Information

Model	Light Color	Electricity (W)	Weight (g)	Connectable Lighting Controller *		Dimensions
				Camera-mount Lighting Controller FLV-TCC Series	Analog Lighting Controller FLV-ATC Series	
FLV-EP50W	White	2.3	200	X	⊙	A
FLV-EP50R	Red	2.3	200	X	⊙	A

*: The table shows whether each Lighting can be connected to Lighting Controllers. When multiple Lightings are connected to a Lighting Controller, make sure that the total electricity of all connected Lightings does not exceed the electricity of connectable lighting of each Lighting Controller.

⊙: Connectable. Light can be continuously emitted.
 ○: Connectable. Light can be emitted only while the trigger is input.
 X: Not connectable

Dimensions



Camera-mount Lighting Controller for FLV Series

FLV-TCC Series

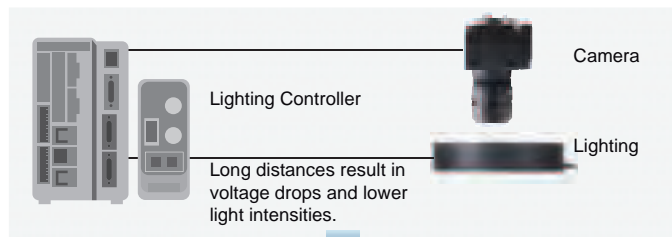
Camera-mount Compact Lighting Controller to Perform Multistage Control with up to 4 Lightings



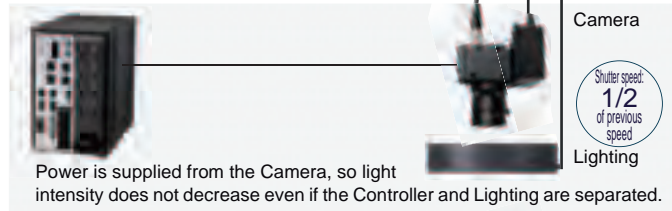
Product features

- Compact design helps save space in the control panel.
- Lighting intensity can be maintained even with long wiring distances.
- No complicated wiring to the Vision Sensor is required.

<Standard Lighting System>



<FLV Series>



Order Information

Model	Number of Connectable Lightings	Applicable Lighting		Power Supply Voltage	Electricity of Connectable Lighting	Luminance Control Method
		Standard Lighting FLV Series *1	Spot Lighting FLV-EP Series			
FLV-TCC1	1ch	○	-	24 VDC *2	15W max.	Digital *3
FLV-TCC4	4ch	○	-			

*1. Standard lighting is all FLV-series Lightings excluding the FLV-EP-series Spot Lightings.

*2. If the total power consumption of Lightings is 7.5 W or less, an external power supply is not required because the power is supplied from the Camera.

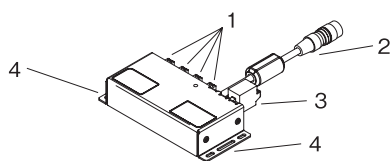
*3. Luminance can be controlled by setting from the Vision Sensor Controller.

Camera-mount Lighting Controller for FLV Series FLV-TCC Series

Specification

Item	Model	FLV-TCC1	FLV-TCC4
Number of connectable lightings		1	4
Applicable Lighting		FLV series (However, FLV-EP series is excluded.)	
Applicable Cameras		FH-S series, FZ-S series	
Applicable Image Sensor Controller		FH series, FZ5 series	
Input Voltage		Supplied from applicable camera (13 V) or external power supply (24 V)	
External power supply voltage		24 VDC \pm 10% (including ripple)	
	Recommended power supply	Model S8VS-06024 (manufactured by OMRON, 24 VDC, 2.5 A, 60 W)	
Connectable lighting			
	13 VDC for camera supply		
	Continuous lighting	7.5 W max.	4ch total 7.5 W max.
	Trigger lighting	7.5 W max.	4ch total 7.5 W max.
	Simultaneous lighting		7.5 W max. for 1ch
	Individual lighting		
	24 VDC for external supply		
	Continuous lighting	7.5 W max.	4ch total 7.5 W max.
	Trigger lighting	No duty restriction: 7.5 W max. Duty by 50%: 15 W max.	No duty restriction: 4ch total 7.5 W max. Duty by 50%: 4ch total 15 W max.
	Simultaneous lighting		No duty restriction: 7.5 W max. for 1ch Duty by 50%: 15 W max. for 1ch
	Individual lighting		
Drive method		Contrast voltage method	
Lighting method		Trigger lighting, Continuous lighting	
Luminance Control Method		Duty light adjustment or voltage light adjustment Duty light adjustment: PWM frequency of 100 kHz, light adjustment of 255 levels Voltage light adjustment: Light adjustment of 255 levels (all are set with image sensor controller)	
Trigger lighting		Lighting in synchronization with trigger input timing from the controller. (auto setting in accordance with shutter speed)	
	Trigger lighting delay time	Ton: 30 μ s max.	
	Lighting duration setting	Synchronized with the shutter speed of the camera (when the trigger is illuminated)	
	Lighting time control	Set with image sensor controller, or synchronized with shutter speed	
External Interface		Camera connection cable (directly connected with the main unit)	
Insulation Resistance		0.5 M Ω (100 VDC)	
Ambient Temperature		Operating: 0 to +50°C, Storage: -15 to +60°C (with no icing or condensation)	
Ambient Humidity		Operating and storage: 35% to 85% (with no condensation)	
Degree of Protection		IP20 (IEC60529)	
Vibration Resistance (destructive)		10 to 150 Hz, (0.7 mm double amplitude) 80 min each in X, Y, and Z directions	
Shock Resistance (destructive)		150 m/s ² 3 times each in 6 directions (up/down, left/right, forward/backward)	
Materials		Case: Aluminum, Cable: PVC	
Weight		Approx: 120 g (including the camera mount plate)	Approx. 130 g (including the camera mount plate)
Accessories		Instruction manual, Camera Mount plate, mounting screws (M2 set screw \times 4, M2 flat head screw \times 4, M4 flat head screw \times 4)	

Part Names and Functions

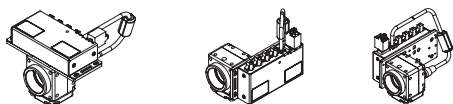


No.	Name	Description
1	Lighting connecting connector	Connects the LED lighting.
2	Camera connecting cable	Connects to the extension connector of the camera.
3	24 V external power supply input terminal block	Connects the 24 VDC power supply.
4	Mounting hole for fixing screw	Holes to mount the screws to secure the Lighting Controller to a mounting plate or device.

Mounting the Controller to the Camera

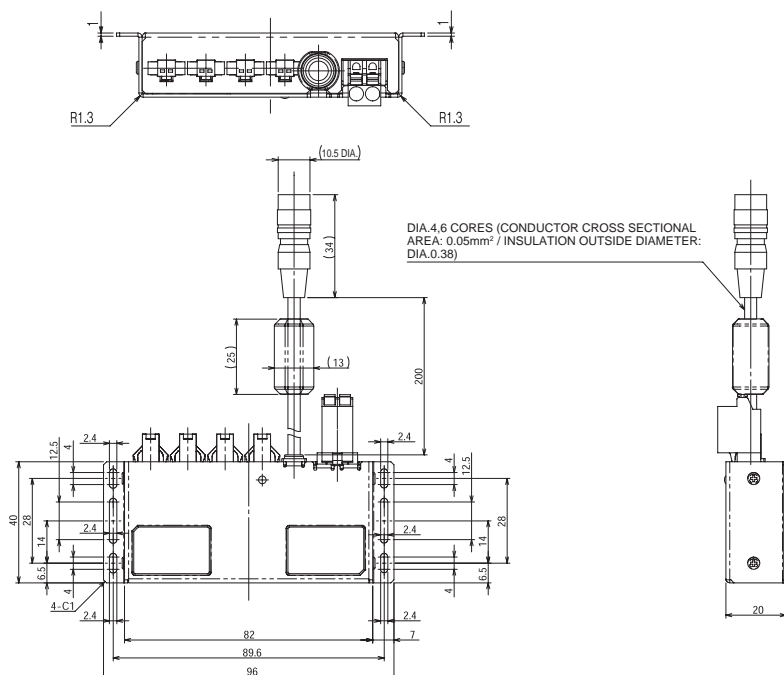
The Lighting Controller can be mounted to the Camera using the provided Camera Mount plate. Mounting directions are: (1) Upper mount, (2) Right side mount, (3) Left side mount.

(1) Top/Bottom mount (2) Right side mount (3) Left side mount

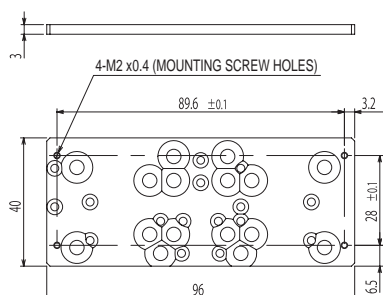


Dimensions

● Lighting Controller



● Camera mount plate (provided)



Analog Lighting Controller for FLV Series FLV-ATC Series

Stationary Lighting Controller



Product features

- Suitable for small installation space near the Camera
- Light emission trigger can be input directly even without Omron's Vision Sensor.

Order Information

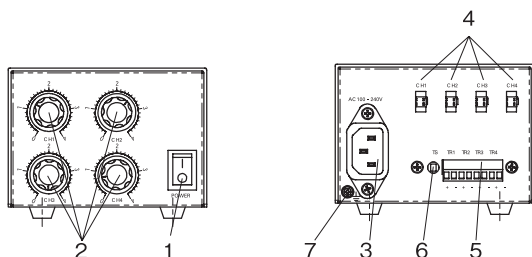
Applicable Lighting	Model *2	Number of Connectable Lightings	Power Supply Voltage	Electricity of Connectable Lighting	Luminance Control Method
Standard Lighting *1	FLV-ATC21024	2ch	100 to 240 VAC	40W max.	Analog
	FLV-ATC41024	4ch		3W max.	
For Spot Lighting	FLV-ATC10405	1ch		12W max.	
	FLV-ATC40405	4ch			

*1. Standard lighting is all FLV-series Lightings excluding the FLV-EP-series Spot Lightings.

*2. The standard plug is A type. C, B, B3, SE, BF, and O types are also available. (The suffix "-C", "-B", "-B3", "-SE", "-BF", or "-O" is added to the model name.)

●Standard Lighting FLV-ATC21024/-ATC41024

Parts Names and Functions



No.	Name	Description
1	Main power supply	Starts up the Controller when it is turned ON.
2	Lighting adjustment volume	Rotating the volume clockwise increases the emission intensity or counterclockwise decreases it.
3	AC power supply input connector	A terminal to supply AC power. Connect the provided AC input cable.
4	Lighting connector	Connects an LED lighting.
5	Terminal block for trigger input	A terminal block for lighting illumination trigger input from outside to each lighting.
6	Lighting mode switching button	<p>Illumination mode switch button is ON (The button is pushed.): Short-circuiting (+) and (-) of TR1 to TR4 respectively makes the trigger input status ON, turning the light ON. Releasing (+) and (-) makes the status OFF, turning the light OFF.</p> <p>Illumination mode switch button is OFF (The button is not pushed.): Short-circuit (+) and (-) of TR1 to TR4 respectively makes the trigger input status OFF, turning the light OFF. Releasing (+) and (-) makes the status OFF, turning the light ON.</p>
7	Frame ground terminal	A terminal for frame ground. Connect the ground line.

Analog Lighting Controller for FLV Series FLV-ATC Series

Specifications

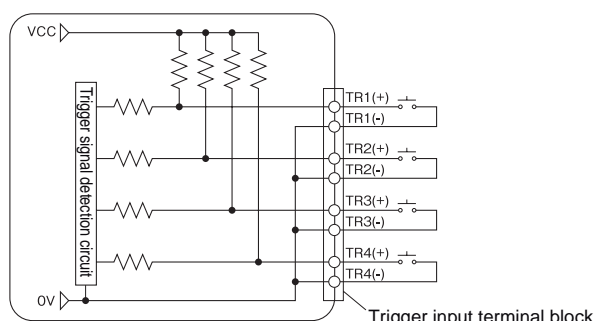
Item	Model	FLV-ATC21024-□	FLV-ATC41024-□
Number of connectable lightings		1	4
Applicable lighting		FLV series (However, FLV-EP series is excluded.)	
Power supply voltage		100 to 240 VAC	
Electricity of connectable lighting		2ch total 40 W max. 30 W max. for 1ch	4ch total 40 W max. 30 W max. for 1ch
Drive method		Constant voltage method	
Lighting method		Trigger lighting, Continuous lighting	
Luminance control method		Voltage light adjustment: 14.0 to 24.0 V	
Trigger lighting		Lighting in synchronization with input from the trigger input terminal	
Trigger lighting delay time		Ton: 100 μs max.	
External interface		Trigger input terminal block	
Dielectric strength		AC 1500 V 50/60 Hz 1 min	
Insulation resistance		20 MΩ (500 VDC)	
Ambient temperature		Operating: 0 to +50°C, Storage: -15 to +60°C (with no icing or condensation)	
Ambient humidity		Operating/storage: 35% to 85% (with no condensation)	
Degree of protection		IP20 (IEC60529)	
Vibration resistance (destructive)		10 to 150 Hz, (0.2 mm double amplitude) 80 min each in X, Y, and Z directions	
Shock resistance (destructive)		150 m/s ² 3 times each in 6 directions (up/down, left/right, forward/backward)	
Materials		Case: Aluminum	
Weight		Approx. 800 g	
Accessories		Instruction manual, AC input cable *1	

*1: The suffixed symbol of the model name means the plug shape of the accessory cable. A model name with no suffix means type A.

Connection with external trigger input terminal block

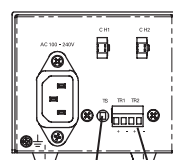
- Connection of this terminal block is not required if external lighting issuance trigger is not used.

<Connection of trigger input terminal block>



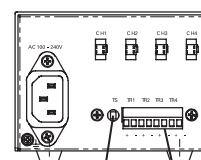
* Current flowing through the short circuit is less than 2 mA.

● FLV-ATC21024-□



Illumination mode switch button
Trigger input terminal block CH1 to CH2

● FLV-ATC41024-□



Illumination mode switch button
Trigger input terminal block CH1 to CH4

Illumination mode switch button is ON (The button is pushed.)

Short-circuiting (+) and (-) of TR1 to TR4 respectively makes the trigger input status ON, turning the light ON.
Releasing (+) and (-) makes the status OFF, turning the light OFF.

Illumination mode switch button is OFF (The button is not pushed.)

Short-circuit (+) and (-) of TR1 to TR4 respectively makes the trigger input status OFF, turning the light OFF.
Releasing (+) and (-) makes the status ON, turning the light ON.

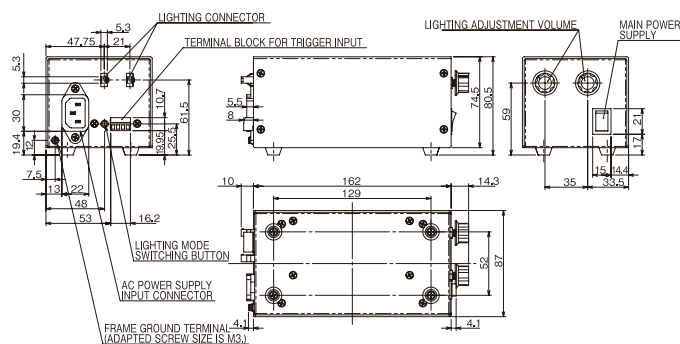
[Important]

- Make sure that excessive force is not imposed on the wire and terminal block.
- Do not install the product in which loads are constantly applied to the terminal block such as the wire being under tension.
- When wiring the terminal block, use an applicable cable (AWG 14 to 24, tip processing length: 7 mm).

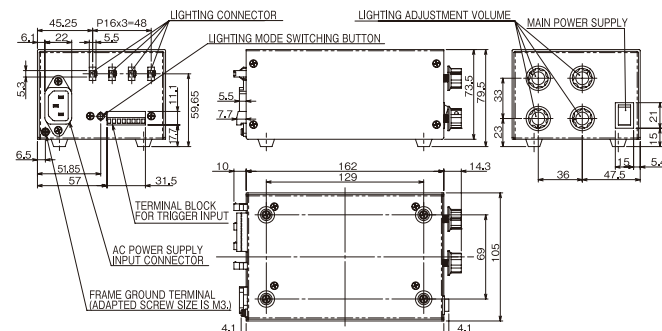
Analog Lighting Controller for FLV Series FLV-ATC Series

Dimensions (Unit: mm)

●FLV-ATC21024-□

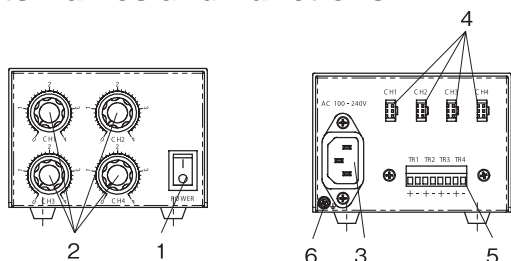


●FLV-ATC41024-□



●For Spot Lighting FLV-ATC10405/-ATC40405

Parts Names and Functions



No.	Name	Description
1	Main power supply	Starts up the Controller when it is turned ON.
2	Lighting adjustment volume	Rotating the volume clockwise increases the emission intensity or counterclockwise decreases it.
3	AC power supply input connector	A terminal to supply AC power. Connect the provided AC input cable.
4	Lighting connector	Connects an LED lighting.
5	Terminal block for trigger input	A terminal block for lighting illumination trigger input from outside to each lighting.
6	Frame ground terminal	A terminal for frame ground. Connect the ground line.

Specifications

ItemModel	FLV-ATC10405-□	FLV-ATC40405-□
Number of connectable lightings	1	4
Applicable lighting	FLV-EP series	
Power supply voltage	100 to 240 VAC	
Electricity of connectable lighting	3 W max.	4ch total 12 W max. 3 W max. for 1ch
Drive method	Constant current method	
Lighting method	Trigger lighting, Continuous lighting	
Luminance control method	Current light adjustment ~0.4 A	
Trigger lighting	Turning the light off in synchronization with input from the trigger input terminal	
Trigger lighting delay time	Ton: 100 μs max.	
External interface	Trigger input terminal block	
Dielectric strength	AC 1500 V 50/60 Hz 1 min	
Insulation resistance	20 MΩ (500 VDC)	
Ambient temperature	Operating: 0 to +50°C, Storage: -15 to +60°C (with no icing or condensation)	
Ambient humidity	Operating/storage: 35% to 85% (with no condensation)	
Degree of protection	IP20 (IEC60529)	
Vibration resistance (destructive)	10 to 150 Hz, (0.2 mm double amplitude) 80 min each in X, Y, and Z directions	
Shock resistance (destructive)	150 m/s ² 3 times each in 6 directions (up/down, left/right, forward/backward)	
Materials	Case: Aluminum	
Weight	Approx. 800 g	
Accessories	Instruction manual, AC input cable *1	

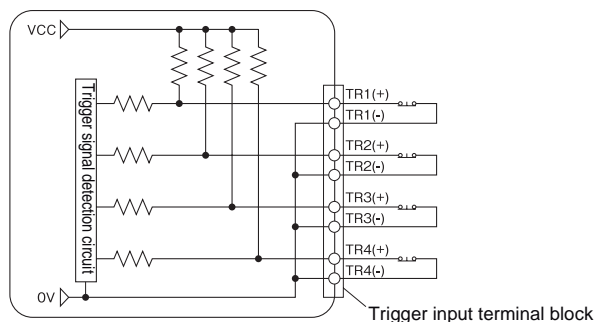
*1: The suffixed symbol of the model name means the plug shape of the accessory cable. A model name with no suffix means type A.

Analog Lighting Controller for FLV Series FLV-ATC Series

Connections with external trigger input terminal block

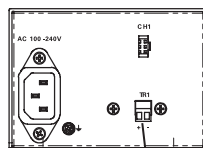
- Connection of this terminal block is not required if external lighting issuance trigger is not used.

<Connection of trigger input terminal block>



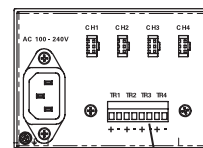
* Current flowing through the short circuit is less than 1 mA.

● FLV-ATC10405-□



Trigger input terminal block CH1

● FLV-ATC40405-□



Trigger input terminal block CH1 to CH4

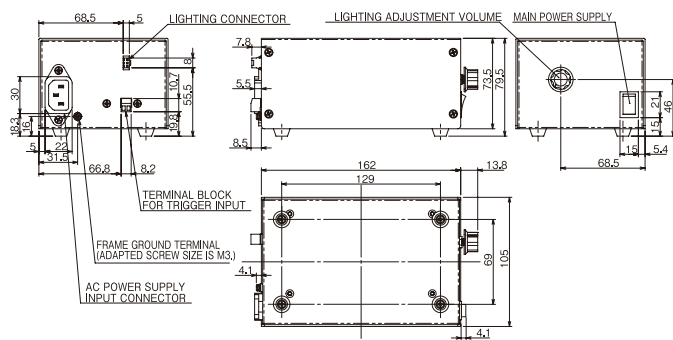
Short-circuiting (+) and (-) of TR1 to TR4 respectively makes the trigger input status OFF, turning the light OFF.
Releasing (+) and (-) makes the status ON, turning the light ON.

[Important]

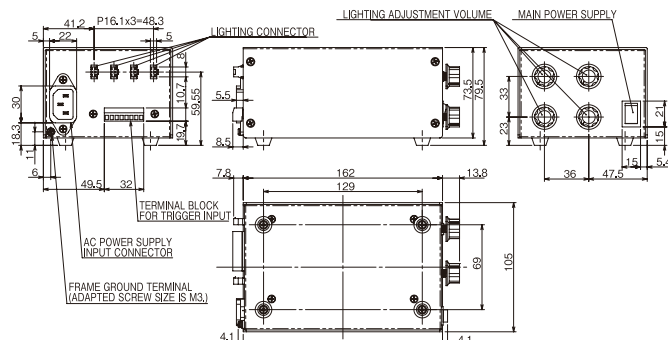
- Make sure that excessive force is not imposed on the wire and terminal block.
- Do not install the product in which loads are constantly applied to the terminal block such as the wire being under tension.
- When wiring the terminal block, use an applicable cable (AWG 14 to 24, tip processing length: 7 mm).

Dimensions (Unit: mm)

● FLV-ATC10405-□



● FLV-ATC40405-□



Bar Lighting FL-BR Series

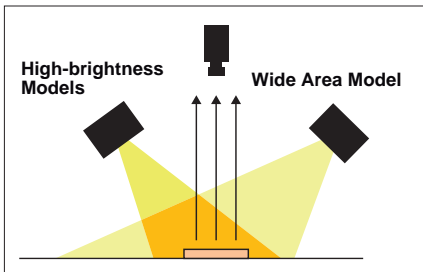
The highest level of brightness in the industry.
These Bar Lighting are structured for adaptable wiring and mounting.

Lightings

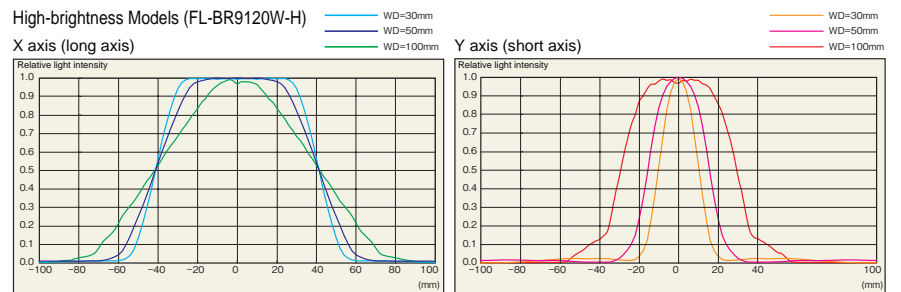
High-brightness Models
FL Series



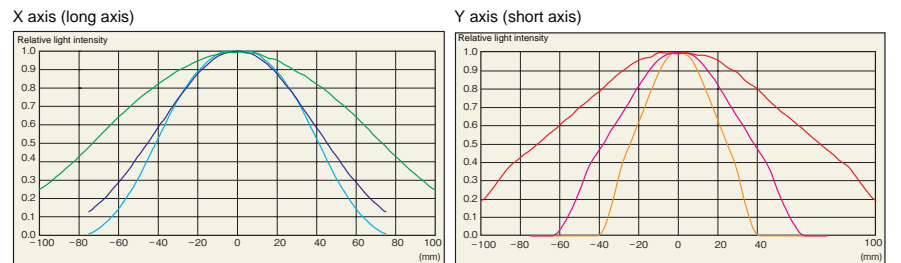
Illumination Structure



Lighting Intensity Distribution Characteristics



Wide Area Model (FL-BR9120W)



Application

Standard Lighting



It is difficult to read characters with low contrast.

FL Series



Sharp images are created of both two-dimensional codes and characters.

Order Information

Standard Models	Model	Light color
Wide Area Model	FL-BR5020W	White LEDs
High-brightness Models	FL-BR5020W-H	
Wide Area Model	FL-BR9120W	
High-brightness Models	FL-BR9120W-H	
Wide Area Model	FL-BR13120W	
High-brightness Models	FL-BR13120W-H	

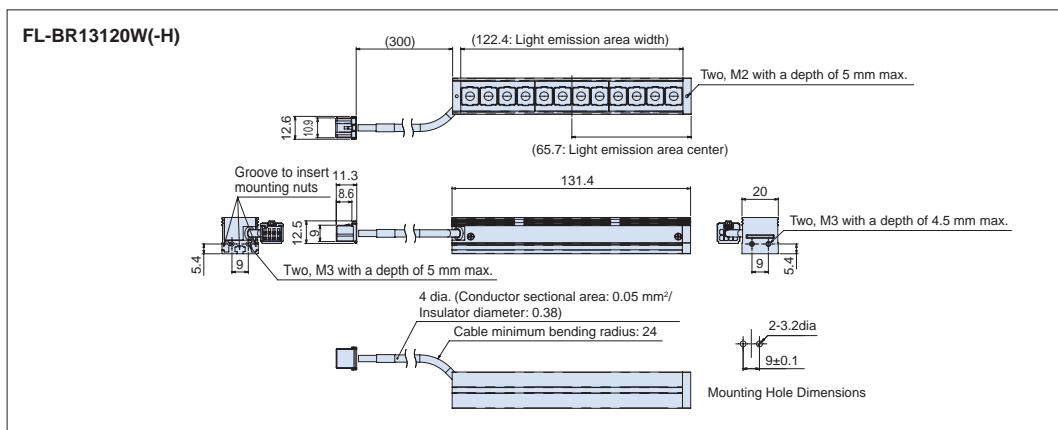
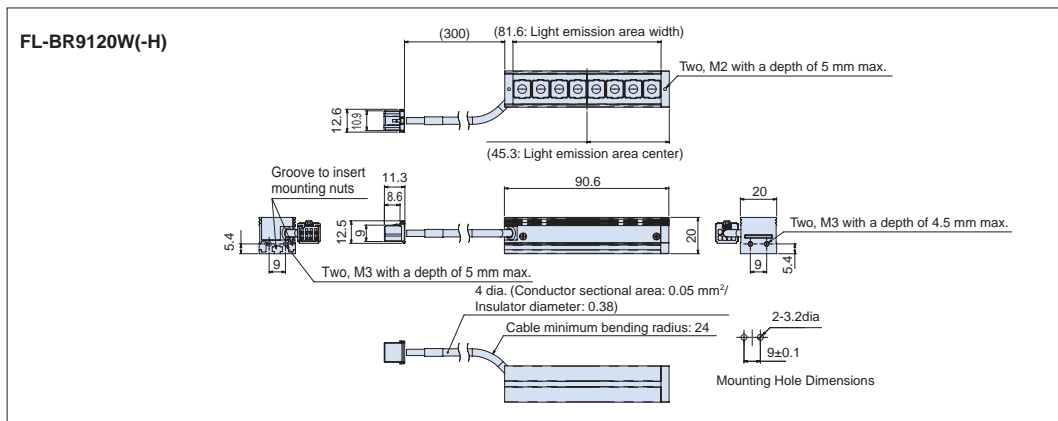
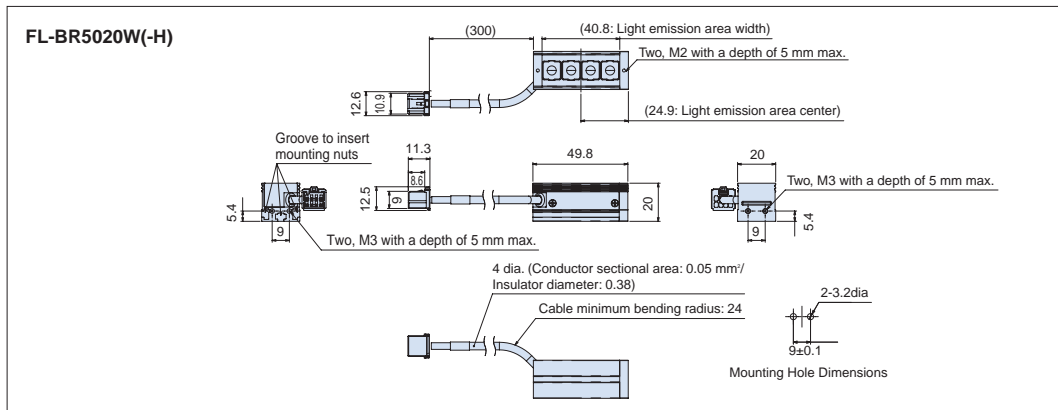
Ratings and Specifications

Model	Wide Area Model	High-brightness Models	Wide Area Model	High-brightness Models	Wide Area Model	High-brightness Models
	FL-BR5020W	FL-BR5020W-H	FL-BR9120W	FL-BR9120W-H	FL-BR13120W	FL-BR13120W-H
Light source	White LEDs					
Vibration resistance	10 to 150 Hz (Double amplitude: 0.7 mm), 80 min each in X, Y, and Z directions					
Shock resistance	150 m/s ² 3 times each in 6 directions					
Ambient temperature	Operation: 0 to 40°C, Storage: -15 to 60°C (with no icing or condensation)					
Ambient humidity	Operation or storage: 35% to 85% (with no condensation)					
Ambient atmosphere	No corrosive gases.					
Degree of protection	IEC60259 IP20					
Weight	Approx. 40g		Approx. 70g		Approx. 100g	
Materials	Light: Case: Aluminum; Cover, side parts, and lens: Heat resistant polyvinyl chloride; Connector: Thermoplastic resin with glass					
LED Class	Class2 (JIS C 6802:2005)					
Accessories	Instruction manual					

The color of white LEDs can vary due to intrinsic characteristics. Confirm suitability for the application in advance.

Lightings
High-brightness Models
FL Series

Dimensions (Unit: mm)



Direct Ring Lighting FL-DR Series

Clear Images WITH Industry's Top Level of Brightness and a Illumination over a Wide Field of View

Lightings
High-brightness Models
FL Series

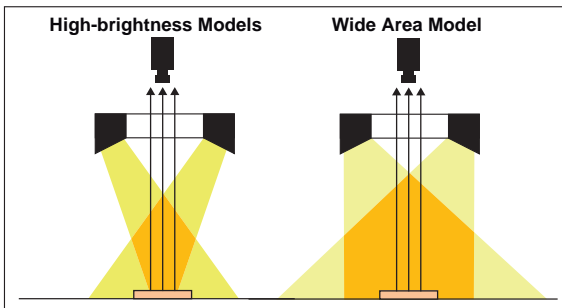
High-brightness Models



Wide Area Models

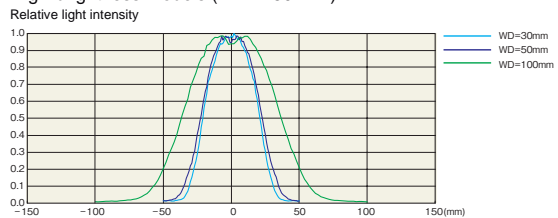


Illumination Structure

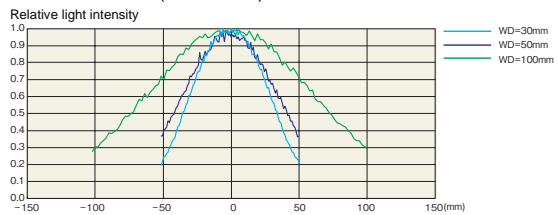


Lighting Intensity Distribution Characteristics

High-brightness Models (FL-DR50W-H)



Wide Area Model (FL-DR50W)



Application

Standard Lighting



Faster lines make it necessary to increase shutter speeds, but then the clarity of workpiece images decreases.

FL series



More than sufficient brightness is provided for high-speed lines.

Order Information

Standard Models	Model	Light color
Wide Area Model	FL-DR32W	White LEDs
High-brightness Models	FL-DR32W-H	
Wide Area Model	FL-DR50W	
High-brightness Models	FL-DR50W-H	
Wide Area Model	FL-DR90W	
High-brightness Models	FL-DR90W-H	

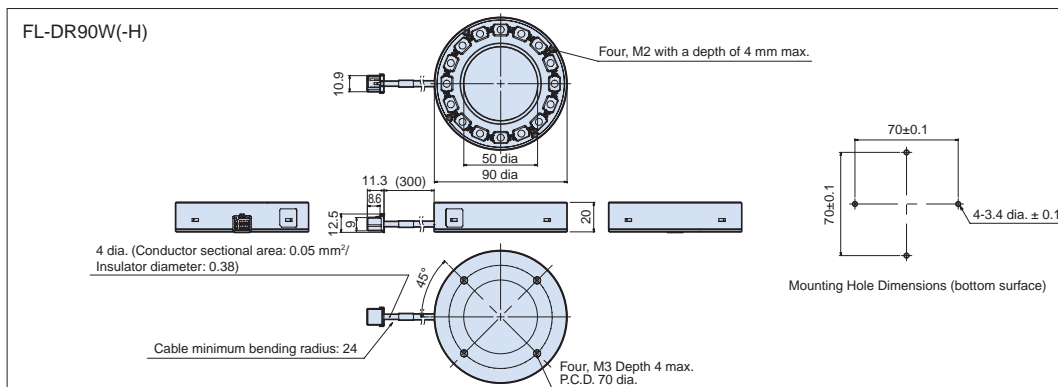
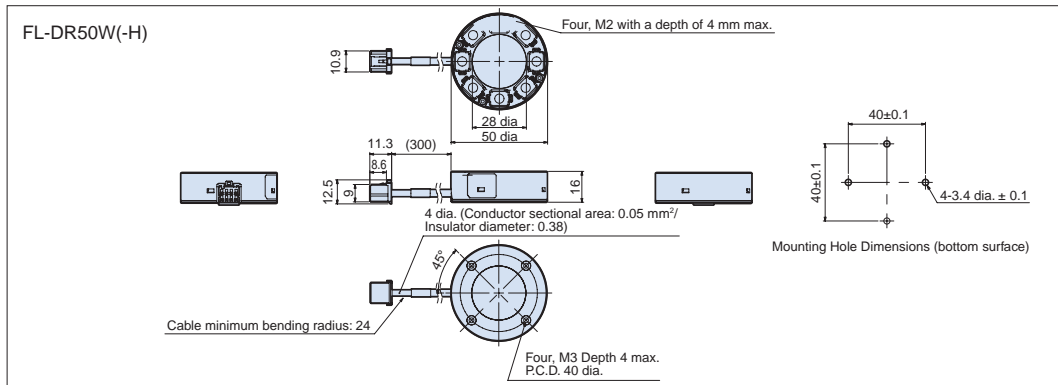
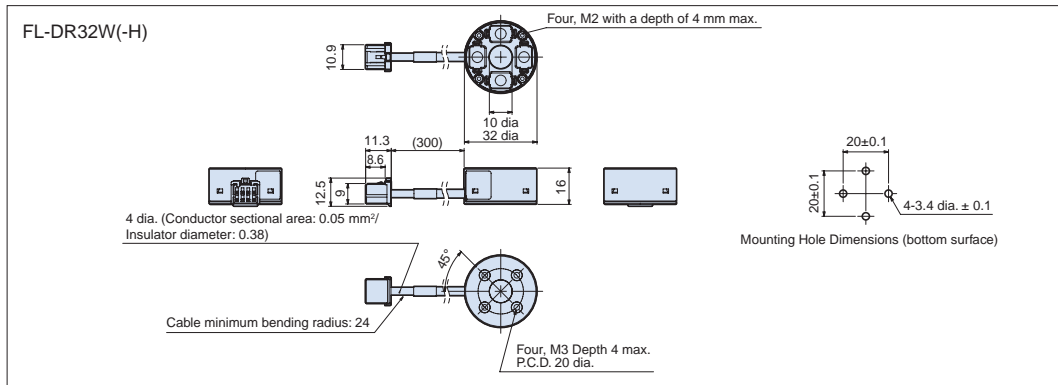
Ratings and Specifications

Model	Wide Area Model	High-brightness Models	Wide Area Model	High-brightness Models	Wide Area Model	High-brightness Models
	FL-DR32W	FL-DR32W-H	FL-DR50W	FL-DR50W-H	FL-DR90W	FL-DR90W-H
Light source	White LEDs					
Vibration resistance	10 to 150 Hz (Double amplitude: 0.7 mm), 80 min each in X, Y, and Z directions					
Shock resistance	150 m/s ² 3 times each in 6 directions					
Ambient temperature	Operation: 0 to 40°C, Storage: -15 to 60°C (with no icing or condensation)					
Ambient humidity	Operation or storage: 35% to 85% (with no condensation)					
Ambient atmosphere	No corrosive gases.					
Degree of protection	IEC60259 IP20					
Weight	Approx. 25g		Approx. 30g		Approx. 70g	Approx. 80g
Materials	Light: Case: Aluminum; Cover, side parts, and lens: Heat resistant polyvinyl chloride; Connector: Thermoplastic resin with glass					
LED Class	Class2 (JIS C 6802:2005)					
Accessories	Instruction manual					

The color of white LEDs can vary due to intrinsic characteristics. Confirm suitability for the application in advance.

Lightings
High-brightness Models
FL Series

Dimensions (Unit: mm)



Stationary Lighting Controller FL-STC Series

The smallest body in the industry is combined with the industry's longest cable at 25 m. Install in essentially any location.



Two-channel models

One-channel models

Lightings

High-brightness Models
FL Series

Product features

● Easy Control and Adjustment of the Lighting

With a compact design small enough to fit in the palm of your hand, the Controller can be built into the control panel or in the gap between production lines.

By using the longest lighting cable in the industry (25 m), the Controller can be installed along with the image processing monitor in a variety of locations. It is possible to adjust the lighting while looking at the screen.

Connect to a Remote Control Panel



Mount to a DIN Rail underneath the Line or in the Gap between Tables



Lighting Control without Programming

This enables light emission synchronized with the camera using essentially any trigger, such as a photoelectric sensor. The Controller be connected to an image processing device to control lighting without any programming on a PLC.

[Control Output]

- PNP/NPN compatible
- Power source: 24 V

[Lighting Emission Controls]

- Lighting triggers can be used individually for each channel.
- Lighting delay and lighting time can be controlled.

Intuitive Digital Light Controls

Digital adjustment of light emission makes it easy to reproduce the lighting environment after line switchovers.



The quantity of light is displayed digitally in 400 levels. Adjust the light in fine detail.

▲ Increases brightness

▼ Decreases brightness

Order Information

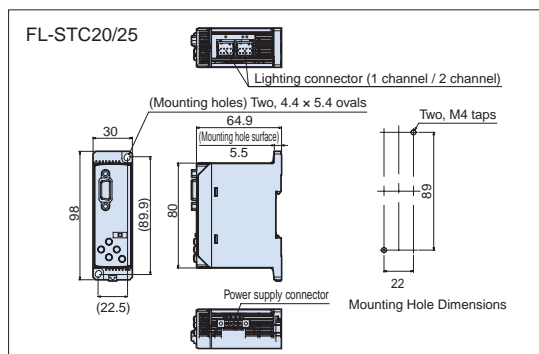
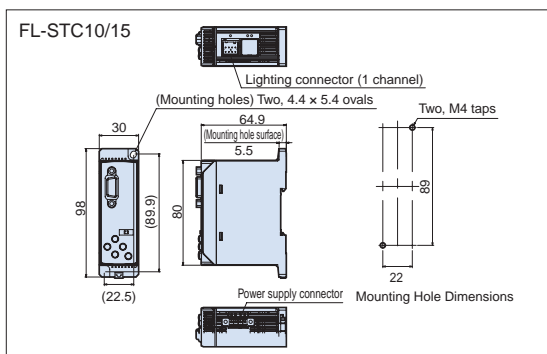
Standard Models	Model	I/O specifications	Input voltage
One-channel models	FL-STC10	NPN	24 VDC
	FL-STC15	PNP	
Two-channel models	FL-STC20	NPN	
	FL-STC25	PNP	

Ratings and Specifications

Product name		One-channel models		Two-channel models	
I/O type		NPN	PNP	NPN	PNP
Model		FL-STC10	FL-STC15	FL-STC20	FL-STC25
Power supply voltage		24 VDC±10% (including ripple)			
Power consumption		36 W, 1.5 A max. (including the lighting section)		72 W, 3 A max. (including the lighting section)	
Number of output channels		1		2	
Applicable lights		FL-□ Series *1			
Light control modes	Continuous light emission mode	While the Strobe Controller power source is ON, light is continuously emitted. PWM frequency: 100 kHz, Light adjustment: 400 levels			
	Triggered light emission mode	Light emission is synchronized with an external trigger input. Light emission: Continuous while the trigger is input, or 0.1 to 99.9 ms (set in 0.1-ms increments) PWM frequency: 100 kHz, Light adjustment: 400 levels			
	Strobe light emission mode	Light emission is synchronized with the external trigger input, but twice the amount of light is emitted in comparison with the trigger light emission mode. Light emission pulse width: 0.01 to 5 ms (light adjustment: 500 levels equivalent)			
Light adjustment setting	Operation on the light	Light adjustment mode settings and light adjustment value input: slide switch and directional pad			
	Remote operation	Light adjustment value input: 9-bit binary input			
External interface		Parallel I/O connector (D-sub 15-pin), Terminal block (external trigger input with 2 terminals, power source voltage input with 2 terminals)			
Ambient temperature		Operation: 0 to 40°C, Storage: -15 to 60°C (with no icing or condensation)			
Ambient humidity		Operation or storage: 35% to 85% (with no condensation)			
Vibration resistance		10 to 150 Hz (Double amplitude: 0.7mm), 80 min each in X, Y, and Z directions			
Shock resistance		150 m/s ² 3 times each in 6 direction (up-down, left-right, front-back)			
Materials		Case: PC			
Degree of protection		IEC60529 IP20			
Weight		Approx. 100 g			
Accessories		Instruction manual, Terminal block Connector			

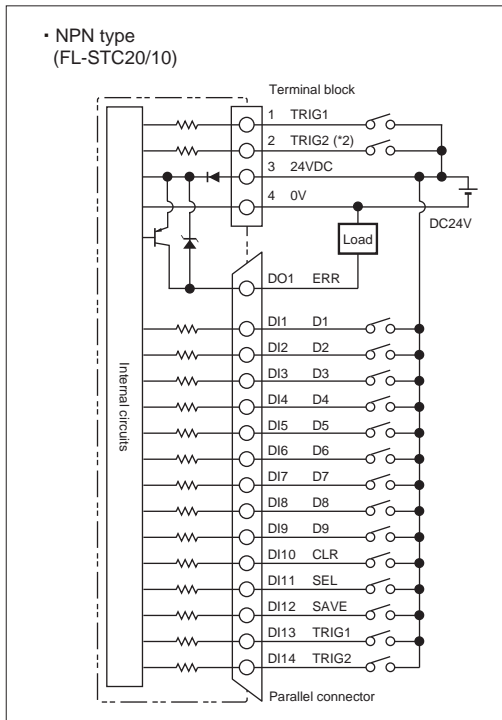
(*1) Ask your OMRON representative for details on applicable models.

Dimensions (Unit: mm)

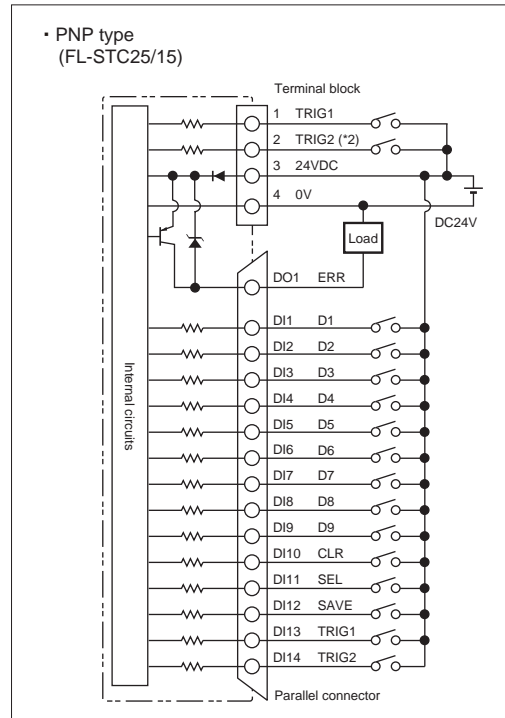


I/O Circuit Diagrams

Lightings
High-brightness Models
FL Series



(*2) no use for FL-STC10



(*2) no use for FL-STC15

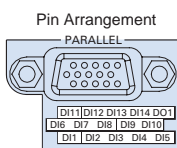
Electrical Specifications

Output circuit	Input circuit
NPN Open-collector 30VDC 50mA max. ON: residual voltage 1.2V max. OFF: leakage current 0.1mA max.	ON: Connected to 0 V or 1.5 V max. OFF: Open (Leakage current: 0.1 mA max.)

Electrical Specifications

Output circuit	Input circuit
PNP Open-collector 50mA max. ON: residual voltage 1.2V max. OFF: leakage current 0.1mA max.	ON: Connected to power supply voltage or power supply voltage -1.5 V max. OFF: Open (Leakage current: 0.1 mA max.)

Wiring diagram



Pin No.	Signal	Signal direction	Function
DI1	D1	Input	Bit 1 of light control data (least significant bit)
DI2	D2	Input	Bit 2 of light control data
DI3	D3	Input	Bit 3 of light control data
DI4	D4	Input	Bit 4 of light control data
DI5	D5	Input	Bit 5 of light control data
DI6	D6	Input	Bit 6 of light control data
DI7	D7	Input	Bit 7 of light control data
DI8	D8	Input	Bit 8 of light control data
DI9	D9	Input	Bit 9 of light control data (most significant bit)
DI10	CLR	Input	Error reset input. Errors are reset when the error reset input changes from OFF (open) to ON.
DI11	SEL	Input	Lighting control channel selection input. OFF (open) specifies channel 1, ON specifies channel 2.
DI12	SAVE	Input	The light control data (D1 to D9) is saved in the built-in memory when the input changes from OFF (open) to ON.
DI13	TRIG1	Input	Inputs the light emission trigger signal for channel 1.
DI14	TRIG2	Input	Inputs the light emission trigger signal for channel 2. (*)
DO1	ERR	output	Turns ON when an error occurs.

* An input with the same function as the lighting emission trigger input is also available on the terminal block (pins 1 and 2). When using the trigger input, connect the input line only to the parallel connector or only to the terminal block. It is not possible to use both input lines at the same time.

Camera-mount Lighting Controller for FL Series

FL-TCC Series

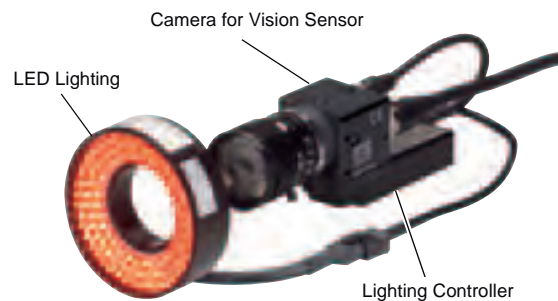
Camera-mount Compact Lighting Controller Which Requires No Power Supply Nor Lighting Control



Lightings
FL Series
High-brightness Models

Product features

- No separate power supply is required because the power is supplied from the Camera.
- Light is emitted when a trigger signal is received from the Camera.
- Simple connection between the Camera and the Lighting with a single cable



Order Information

Item	Model	Weight
Lighting Controller	FL-TCC1	Approx. 110 g
Camera Mounting Spacer	FL-TCC1-XSP	Approx. 10 g
Camera Mounting Attachment	FL-TCC1-XAT	Approx. 20 g

Ratings and Specifications

●Lighting Controller

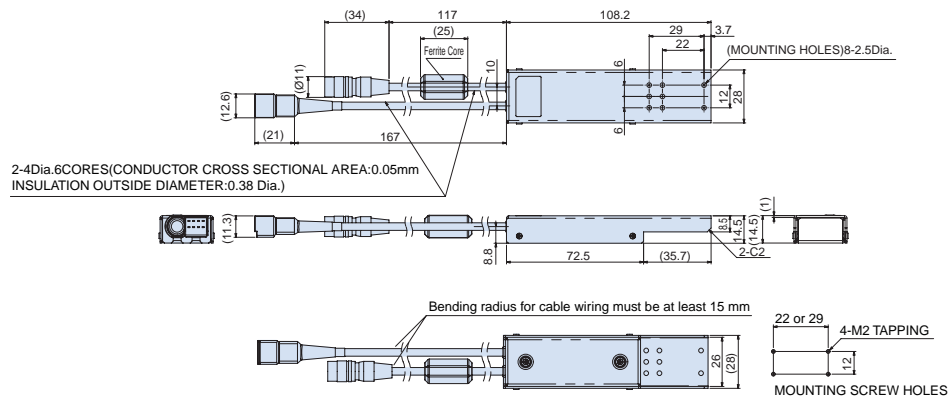
Model		Lighting Controller
Model Name		FL-TCC1
Input Voltage		Supplied from compatible camera.
Compatible Cameras		FH-S/SC/S02/SC02/S04/SC04, FZ-S/SC/S2M/SC2M/S5M2/SC5M2/SH/SHC/SF/SFC/SP/SPC and others. (*)
Compatible Controllers		FH Series, FZ5 Series, FZ4 Series, FZ3 Series (H900, H950, H700, H750, H300, H350, L350) and others. (*)
Current Consumption		MAX 10W, 0.9A (Lighting Included)
Lighting Channel		1
Applicable Lighting		FL-□ series
Luminance Control Method	Functions	PWM frequency: 100 KHz, Control step: 255 steps (configurable from the Controller)
	Trigger lighting	Lighting ON synchronized with trigger input timing from the Controller. (Auto setting in accordance with the shutter speed.)
	Trigger lighting delay time	Ton: 30 μs max. (Trigger ready μs) Toff: 10 μs max.
External Interface		Dedicated communication connector
Ambient Temperature		Operating: 0 to +50°C, Storage: -15 to +60°C (with no icing or condensation)
Ambient Humidity		Operating and storage: 35% to 85% (with no condensation)
Vibration resistance		10 to 55 Hz, (0.7mm double amplitude) 80 min each in X, Y, and Z directions
Shock resistance		150 m/s ² 3 times each in 6 directions (up/down, left/right, forward/backward)
Materials		Case: SECC, Cable: PVC
Degree of Protection		IP20 (IEC60529)
Weight		Approx. 110 g
Accessories		Instruction sheet, Insulation Sheet, Mounting screw (M2 × 6 mm) × 4

* Contact your OMRON sales representative for more information on model compatibility.

Camera-mount Lighting Controller for FL Series FL-TCC Series

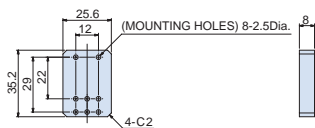
Dimensions (Unit: mm)

● Lighting Controller FL-TCC1

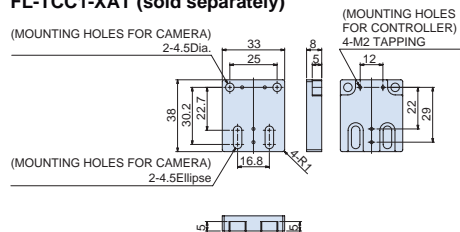


● Optional Products

**Camera Mounting Spacer
FL-TCC1-XSP (sold separately)**



**Camera Mounting Attachment
FL-TCC1-XAT (sold separately)**



Lightings
FL Series
High-brightness Models

Cable/Diffusion Plates/Mounting Brackets

Cable

For FL series

Order Information



●Extension Cable, Standard Cables

Model	Cable Length	Weight
FL-XC1	1m	Approx. 50 g
FL-XC2	2m	Approx. 80 g
FL-XC3	3m	Approx. 120 g
FL-XC5	5m	Approx. 190 g
FL-XC10	10m	Approx. 400 g
FL-XC25	25m	Approx. 1000 g

●Extension Cables, Flexible Cables

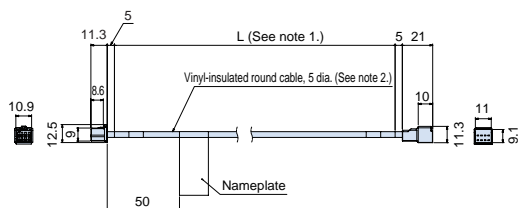
Model	Cable Length	Weight
FL-XC1R	1m	Approx. 60 g
FL-XC2R	2m	Approx. 100 g
FL-XC3R	3m	Approx. 150 g
FL-XC5R	5m	Approx. 240 g
FL-XC10R	10m	Approx. 500 g
FL-XC25R	25m	Approx. 1200 g

●Parallel Cable

Model	Cable Length	Weight
FL-XCP2	2m	Approx. 180 g

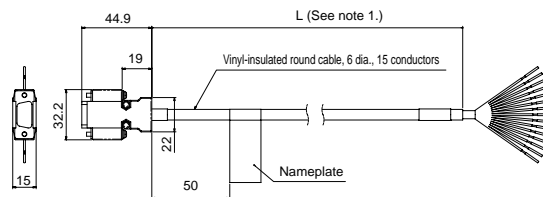
Dimensions (Unit: mm)

●Extension Cable



Note 1. Depends on the cable length.
Note 2. The cable diameter is 6.2 for robot cables.

●Parallel Cable



Note 1. Depends on the cable length.

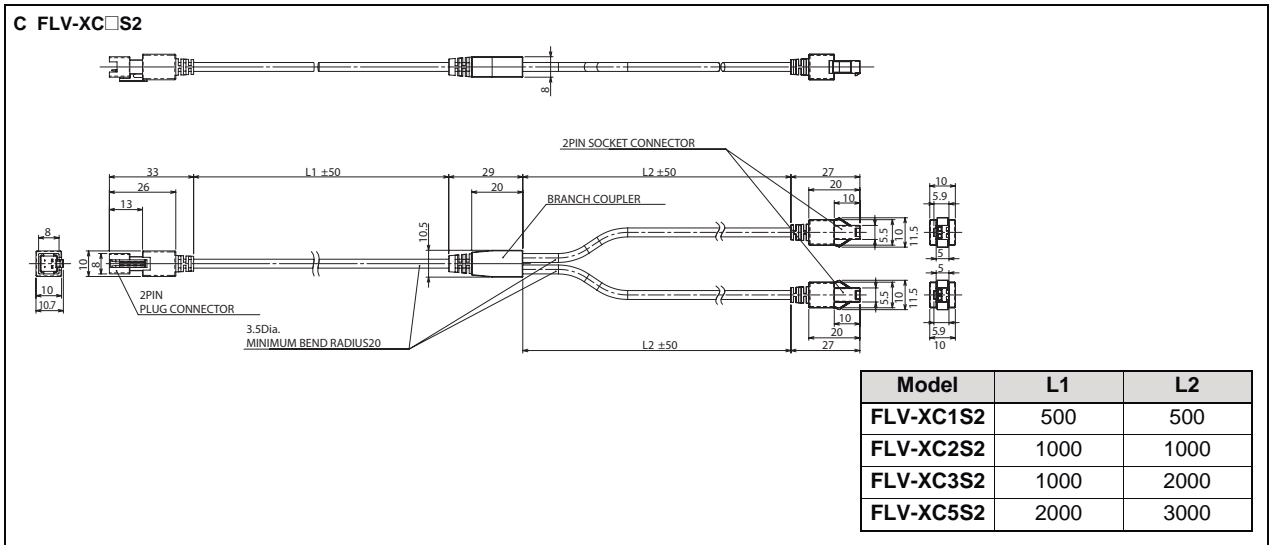
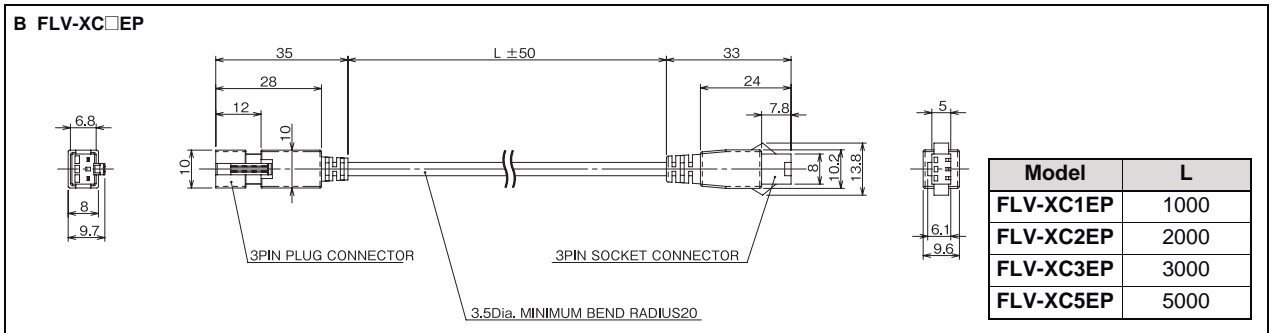
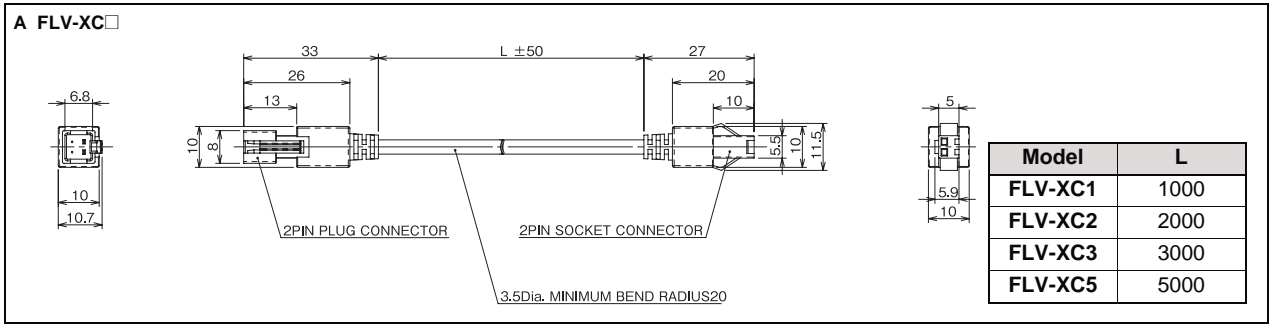
For FLV series

Order Information

Type	Model	Cable Length	Dimensions
Extension Cable for Standard Lighting *1	FLV-XC1	1m	A
	FLV-XC2	2m	
	FLV-XC3	3m	
	FLV-XC5	5m	
Extension Cable for Spot Lighting	FLV-XC1EP	1m	B
	FLV-XC2EP	2m	
	FLV-XC3EP	3m	
	FLV-XC5EP	5m	
Branch Cable for Standard Lighting *1	FLV-XC1S2	1m	C
	FLV-XC2S2	2m	
	FLV-XC3S2	3m	
	FLV-XC5S2	5m	

*1. Standard lighting is all FLV-series Lightings excluding the FLV-EP-series Spot Lightings.

Dimensions (Unit: mm)



Diffusion Plates and Polarization Plates

For FL series

Order Information



●Diffusion Plates

Standard Models	Model	Outer diameter (mm)	Weight
Bar Lighting	FL-BR5020DF	49.8×18×4	Approx. 5 g
	FL-BR9120DF	90.6×18×4	Approx. 10 g
	FL-BR13120DF	131.4×18×4	Approx. 15 g

Standard Models	Model	Outer diameter/Inner diameter/Thickness (mm)	Weight
Direct Ring Lighting	FL-DR32DF	32/10/4	Approx. 5 g
	FL-DR50DF	50/28/4	Approx. 10 g
	FL-DR90DF	90/50/4	Approx. 15 g

●Polarization Plates

Standard Models	Model	Outer diameter/Inner diameter/Thickness (mm)	Weight
Direct Ring Lighting	FL-DR32PL	32/10/2	Approx. 3 g
	FL-DR50PL	50/28/2	Approx. 5 g
	FL-DR90PL	90/50/2	Approx. 15 g

For FLV series

Order Information

●Diffusion Plates

Standard Models	Model	Connectable Lighting
Direct Ring Lighting	FLV-DR12030DF	Direct Ring Lighting FLV-DR12030□
	FLV-DR9215DF	Direct Ring Lighting FLV-DR9215□
	FLV-DR9030DF	Direct Ring Lighting FLV-DR9030□
	FLV-DR9000DF	Direct Ring Lighting FLV-DR9000□
	FLV-DR7000DF	Direct Ring Lighting FLV-DR7000□
	FLV-DR7030DF	Direct Ring Lighting FLV-DR7030□
	FLV-DR6615DF	Direct Ring Lighting FLV-DR6615□
	FLV-DR5030DF	Direct Ring Lighting FLV-DR5030□
FLV-DR3220DF	Direct Ring Lighting FLV-DR3220□	

●Diffusion Plates

Standard Models	Model	Connectable Lighting
Bar Lighting	FLV-BR48031DF	Bar Lighting FLV-BR48031□
	FLV-BR38037DF	Bar Lighting FLV-BR38037□
	FLV-BR21230DF	Bar Lighting FLV-BR21230□
	FLV-BR21222DF	Bar Lighting FLV-BR21222□
	FLV-BR15020DF	Bar Lighting FLV-BR15020□
	FLV-BR14030DF	Bar Lighting FLV-BR14030□
	FLV-BR11222DF	Bar Lighting FLV-BR11222□
	FLV-BR8532DF	Bar Lighting FLV-BR8532□
	FLV-BR6022DF	Bar Lighting FLV-BR6022□

●Diffusion Plates

Standard Models	Model	Connectable Lighting
Low Angle Ring Lighting	FLV-DL15060DF	Low Angle Ring Lighting FLV-DL15060□
	FLV-DL12060DF	Low Angle Ring Lighting FLV-DL12060□
	FLV-DL7260DF	Low Angle Ring Lighting FLV-DL7260□
	FLV-DL5890DF	Low Angle Ring Lighting FLV-DL5890□

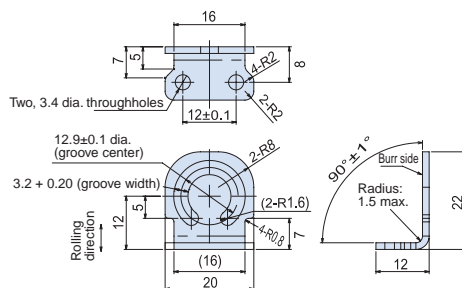
Mounting Brackets

For FL series

Order Information

Standard Models	Model
Bar Lighting	FL-XBK1

Dimensions (Unit: mm)



Burrs must extend less than 0.1 mm.

Standard Lens SV-V Series

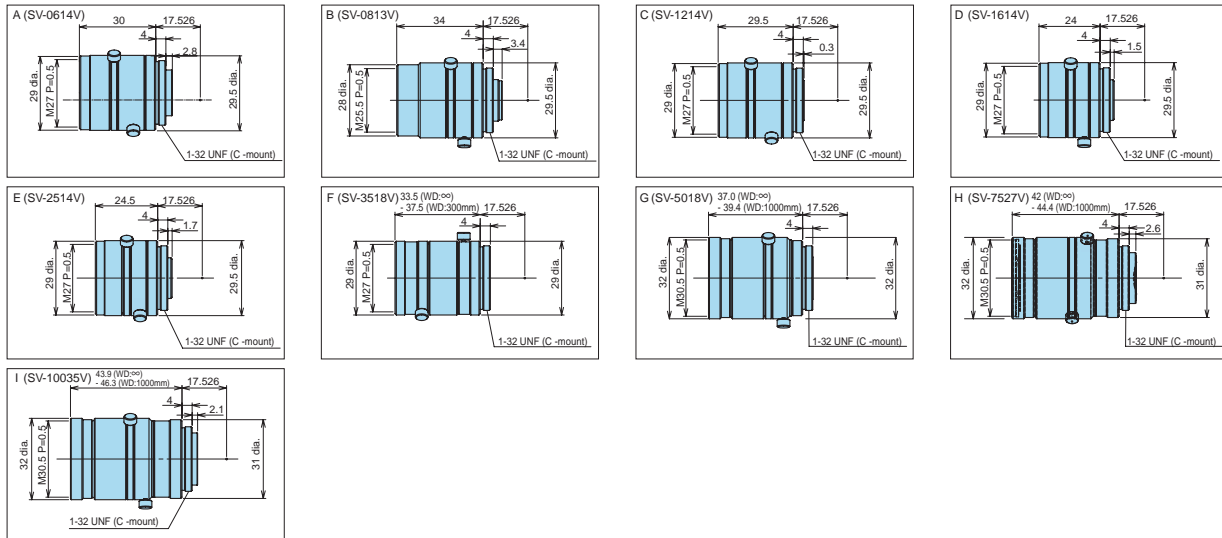
- Standard CCTV lens.
- Lineup of 9 models with focal lengths ranging from 6 to 100 mm.
- Locking set screws for focus and iris.
- More robust structure designed for machine vision.
- Lower distortion and higher resolution than previous CCTV lenses.



Order Information

Series	Model	Dimension	Focal distance (mm)	Focus (F No)	Field of view (V × H)	Closest distance (mm)	Filter size	Weight (g)	Total length (mm)	Maximum compatible CCD
C-mount Lens for 1/3-inch image sensor (Recommend: FZ-S□/ FZ-SH□/ FH-S□)	3Z4S-LE SV-0614V	A	6	1.4	42.3°× 54.6°	200	M27.0 P0.5	49	30	1/3 inch
	3Z4S-LE SV-0813V	B	8	1.3	44.6°× 57.3°	200	M25.5 P0.5	55	34	1/3 inch
	3Z4S-LE SV-1214V	C	12	1.4	21.9°× 38.9°	300	M27.0 P0.5	44	29.5	1/3 inch
	3Z4S-LE SV-1614V	D	16	1.4	22.8°× 30.1°	400	M27.0 P0.5	34	24.5	1/3 inch
	3Z4S-LE SV-2514V	E	25	1.4	14.9°× 19.8°	500	M27.0 P0.5	36	24	1/3 inch
	3Z4S-LE SV-3518V	F	35	1.8	10.8°× 14.4°	300	M27.0 P0.5	47	33.5	1/3 inch
	3Z4S-LE SV-5018V	G	50	1.8	7.9°× 10.5°	300	M30.5 P0.5	67	37	1/3 inch
	3Z4S-LE SV-7527V	H	75	2.7	4.9°× 6.6°	1200	M30.5 P0.5	76	42	1/3 inch
	3Z4S-LE SV-10035V	I	100	3.5	4.0°× 5.3°	2000	M30.5 P0.5	79	43.9	1/3 inch

Dimensions



High-resolution, Low-distortion Lens SV-H/VS-H1 Series

- High-resolution lens for megapixel camera.
- Lineup of 9 models for 2/3-inch cameras, with focal lengths ranging from 6 to 100 mm, and 5 models for 1-inch Cameras.
- Locking set screws for focus and iris.
- Bright F number of 1.4 for high-speed CMOS camera.
- Compact design but minimized decrease in distortion and brightness.



for 2/3-inch image sensor SV-H series

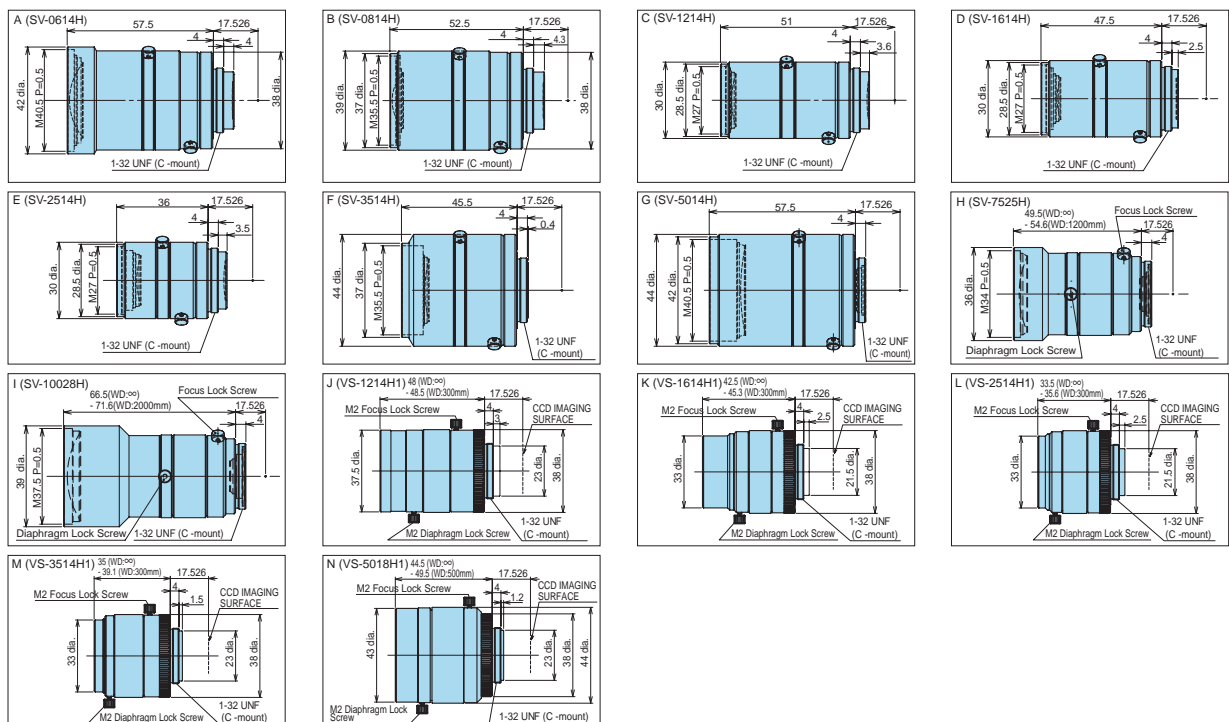


for 1-inch image sensor VS-H1 series

Order Information

Series	Model	Dimension	Focal distance (mm)	Focus (F No)	Field of view (V × H)	Closest distance (mm)	Filter size	Weight (g)	Total length (mm)	Maximum compatible CCD
C-mount Lens for 2/3-inch image sensor (Recommend: FZ-S□2M/FZ-S□5M/FH-S□02)	3Z4S-LE SV-0614H	A	6	1.4	56.8° × 71.5°	100	M40.5 P0.5	145	57.5	2/3 inch
	3Z4S-LE SV-0814H	B	8	1.4	44.9° × 57.6°	100	M35.5 P0.5	125	52.5	2/3 inch
	3Z4S-LE SV-1214H	C	12	1.4	30.2° × 39.6°	100	M27 P0.5	85	51	2/3 inch
	3Z4S-LE SV-1614H	D	16	1.4	23.1° × 30.6°	100	M27 P0.5	85	47.5	2/3 inch
	3Z4S-LE SV-2514H	E	25	1.4	15.0° × 20.0°	150	M27 P0.5	65	36	2/3 inch
	3Z4S-LE SV-3514H	F	35	1.4	10.8° × 14.3°	200	M35.5 P0.5	150	45.5	2/3 inch
	3Z4S-LE SV-5014H	G	50	1.4	7.5° × 10.0°	300	M40.5 P0.5	170	57.7	2/3 inch
	3Z4S-LE SV-7525H	H	75	2.5	2/3" = 5.0° × 6.7° 1" = 7.3° × 9.7°	1200	M34.0 P0.5	85	49.5	1 inch
	3Z4S-LE SV-10028H	I	100	2.8	2/3" = 3.9° × 5.1° 1" = 5.6° × 7.5°	2000	M37.5 P0.5	105	66.5	1 inch
C-mount Lens for 1-inch image sensor (Recommend: FH-S□04)	3Z4S-LE VS-1214H1	J	12	1.4	44.0° × 56.9°	300	M35.5 P0.5	140	48	1 inch
	3Z4S-LE VS-1614H1	K	16	1.4	33.7° × 44.3°	300	M30.5 P0.5	110	42.5	1 inch
	3Z4S-LE VS-2514H1	L	25	1.4	21.5° × 28.5°	300	M30.5 P0.5	90	33.5	1 inch
	3Z4S-LE VS-3514H1	M	35	1.4	15.6° × 20.7°	300	M30.5 P0.5	100	35	1 inch
	3Z4S-LE VS-5018H1	N	50	1.8	11.0° × 14.6°	500	M40.5 P0.5	135	44.5	1 inch

Dimensions



Vibrations and shocks resistant C-mount Lens VS-MC Series

- Lineup of 7 models with focal lengths ranging from 15 to 75 mm.
- A fixation ring is used to fasten to the surface.
- Internal structure of the lens is designed to strengthen against vibration to achieve higher resistance to vibration than previous lenses, which allows the lens to be moved or to be used in a place subject to vibration.
- Install in narrow space without a locking set screw.



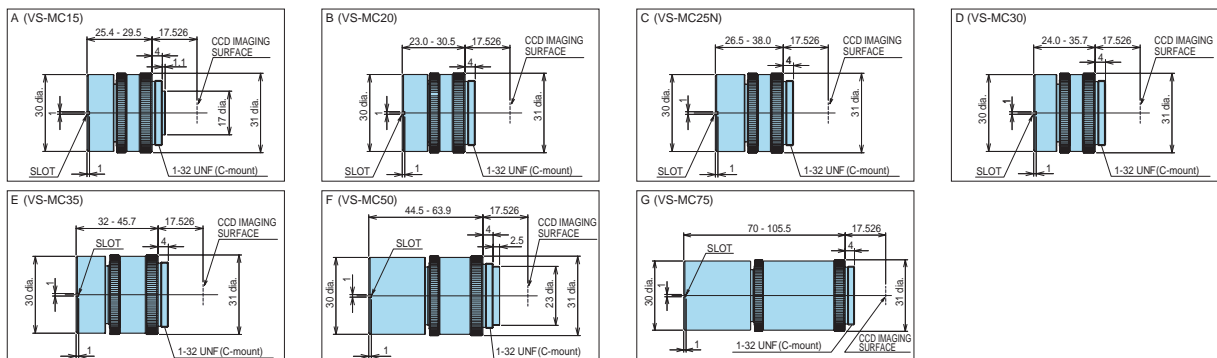
Order Information

Series	Model	Dimension	Focal distance (mm)	Focus (F No.)	Maximum outer diameter: (mm)	Total length (mm)	Filter size	WD (mm)	Depth of field (mm)	Maximum compatible CCD				
Vibrations and shocks resistant C-mount Lens for 2/3-inch image sensor (Recommend: FZ-S□/FZ-S□2M/FZ-S□5M2/FZ-SH□/FH-S□/ FH-S□02)	3Z4S-LE VS-MC15	A	15	Maximum aperture	31 dia.	29.5	M27.0 P0.5	492.2	183.1	2/3 inch				
								67.3	4.8					
								42.3	2.3					
	3Z4S-LE VS-MC15-FNO56			492.2	512.7	5.6	31 dia.	29.5	M27.0 P0.5		67.3	13.4		
											42.3	6.5		
											492.2	732.4		
	3Z4S-LE VS-MC15-FNO80			67.3	13.4	8	31 dia.	29.5	M27.0 P0.5		42.3	9.2		
											516.5	110.8		
											81.0	3.4		
	3Z4S-LE VS-MC20	49.8	1.5	B	20	Maximum aperture	31 dia.	30.5	M27.0 P0.5	2/3 inch				
											516.5	291.2		
											81.0	9.0		
	3Z4S-LE VS-MC20-FNO56	49.8	3.9			5.6	31 dia.	30.5	M27.0 P0.5		516.5	416.0		
											81.0	12.8		
											49.8	5.6		
	3Z4S-LE VS-MC20-FNO80	513.9	67.2			8	31 dia.	30.5	M27.0 P0.5		106.0	3.2		
											54.9	1.0		
											513.9	188.2		
	3Z4S-LE VS-MC25N	106.0	9.0	C	25	Maximum aperture	31 dia.	38.0	M27.0 P0.5	2/3 inch				
											54.9	2.7		
											513.9	268.8		
	3Z4S-LE VS-MC25N-FNO56	106.0	12.8			5.6	31 dia.	38.0	M27.0 P0.5		106.0	12.8		
											54.9	3.8		
											514.6	47.1		
3Z4S-LE VS-MC25N-FNO80	214.5	8.2	D			30	Maximum aperture	31 dia.	35.7		M27.0 P0.5	2/3 inch		
													81.1	11.0
													514.6	131.9
3Z4S-LE VS-MC30	214.5	22.9		5.6	31 dia.		35.7	M27.0 P0.5	514.6	131.9				
									81.1	3.2				
									514.6	188.4				
3Z4S-LE VS-MC30-FNO56	81.1	3.2		8	31 dia.		35.7	M27.0 P0.5	214.5	32.7				
									81.1	4.6				
									213.0	2.8				
3Z4S-LE VS-MC30-FNO80	196.4	2.2	E	35	Maximum aperture	31 dia.	45.7	M27.0 P0.5	2/3 inch					
										145.9	0.6			
										213.0	8.4			
3Z4S-LE VS-MC35	196.4	6.5			5.6	31 dia.	45.7	M27.0 P0.5		196.4	6.5			
										145.9	1.7			
										213.0	11.9			
3Z4S-LE VS-MC35-FNO56	145.9	2.5			8	31 dia.	45.7	M27.0 P0.5		196.4	9.2			
										145.9	2.5			

Vibrations and shocks resistant C-mount Lens VS-MC Series

Series	Model	Dimension	Focal distance (mm)	Focus (F No.)	Maximum outer diameter: (mm)	Total length (mm)	Filter size	WD (mm)	Depth of field (mm)	Maximum compatible CCD
Vibrations and shocks resistant C-mount Lens for 2/3-inch image sensor (Recommend: FZ-S□/ FZ-S□2M/ FZ-S□5M2/ FZ-SH□/ FH-S□/ FH-S□02)	3Z4S-LE VS-MC50	F	50	Maximum aperture	31dia.	63.9	M27.0 P0.5	625.8	33.8	2/3 inch
								262.4	6.0	
								121.1	1.3	
	3Z4S-LE VS-MC50-FNO56	F	50	5.6	31dia.	63.9	M27.0 P0.5	625.8	75.6	
								262.4	13.4	
								121.1	2.9	
	3Z4S-LE VS-MC50-FNO80	F	50	8	31dia.	63.9	M27.0 P0.5	625.8	108.0	
								262.4	19.2	
								121.1	4.1	
	3Z4S-LE VS-MC75	G	75	Maximum aperture	31dia.	105.5	M27.0 P0.5	563.0	17.7	2/3 inch
								404.4	9.1	
								153.8	1.3	
3Z4S-LE VS-MC75-FNO56	G	75	5.6	31dia.	105.5	M27.0 P0.5	563.0	26.1		
							404.4	13.4		
							153.8	1.9		
3Z4S-LE VS-MC75-FNO80	G	75	8	31dia.	105.5	M27.0 P0.5	563.0	37.2		
							404.4	19.2		
							153.8	2.7		

Dimensions



FZ-LES Series

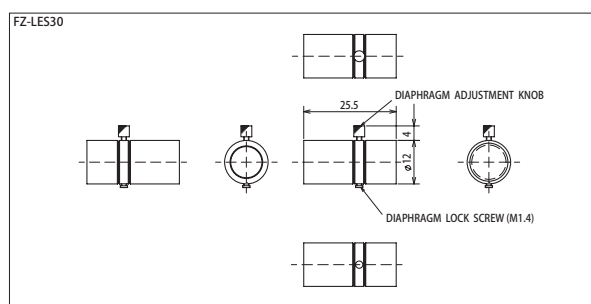
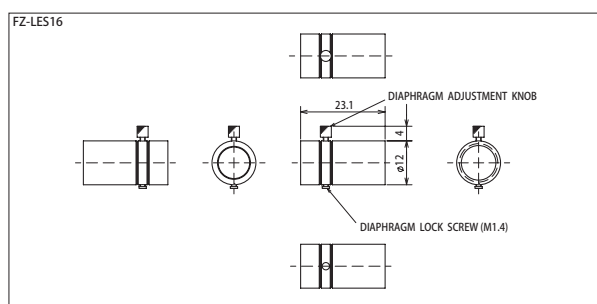
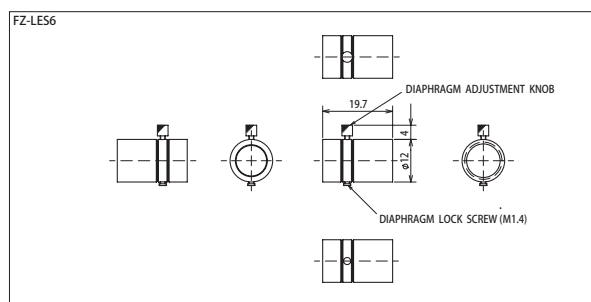
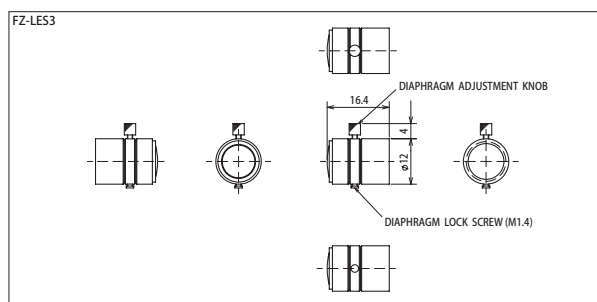
- Lenses for small cameras: 12 x 12 mm pen-shaped camera and 17 mm thick flat camera.



Order Information

Model	Focal length	Brightness
FZ-LES3	3mm	F2.0
FZ-LES6	6mm	F2.0
FZ-LES16	16mm	F3.4
FZ-LES30	30mm	F3.4

Dimensions



Non-telecentric Macro Lens VS-MC Series

- Lineup of 4 models with magnifications ranging from 1.0 to 0.1 and WD ranging from 325.5 to 82.4 mm.
- 16-mm-dia. simple mechanism with high resistance to vibration.



Order Information

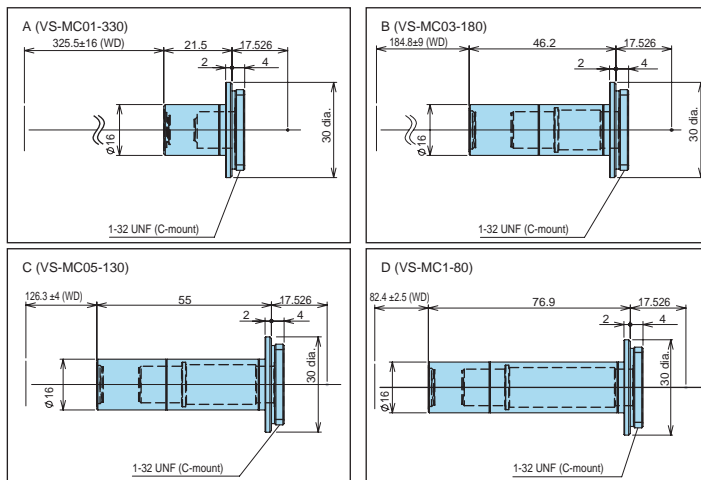
Model	Dimension	Magnification	Field of vision *1 (V × H) mm	Dimension Effective FNO	O/I (mm)	WD (mm)	Depth of field *2	Resolution *3	TV distortion
3Z4S-LE VS-MC01-330	A	0.1	66.0 × 88.0	4.43	364.5	325.5	35.4mm	30.5μm	0.01% max.
3Z4S-LE VS-MC03-180	B	0.3	22.0 × 29.3	5.29	248.5	184.8	4.7mm	11.6μm	0.00% max.
3Z4S-LE VS-MC05-130	C	0.5	13.2 × 17.6	6.10	198.8	126.3	2.0mm	8.2μm	0.00% max.
3Z4S-LE VS-MC1-80	D	1.0	6.6 × 8.8	8.14	176.8	82.4	0.7mm	5.5μm	0.00% max.

*1 Calculated using the size of an image element (2/3 inch = 6.6 × 8.8 mm).

*2 Calculated using a permissible circle of confusion diameter of 0.04 mm.

*3 Calculated using a wavelength of 550 nm.

Dimensions



Lens Option

Order Information

Polarizing Filter

Model
3Z4S-LE SV-PL255
3Z4S-LE SV-PL270
3Z4S-LE SV-PL305



Extension Tubes

Model	Length (mm)
3Z4S-LE SV-EXR	7-piece set (40, 20, 10, 5, 2.0, 1.0, 0.5 mm)

* These Extension Tubes are also available individually. Order using the following model number, replacing the box with the desired length: 3Z4S-LE SV-EXR□. (0.5, 1, 2, 5, 10, 15, 20, 25, 30, 40, 50 mm)



Extension Tubes for Small Digital CCD Cameras

Model	Contents
FZ-LESR	Set of 3 tubes (15 mm, 10 mm, 5 mm) Maximum outer diameter: 12 mm dia.

Rear Converter Lens

Model
3Z4S-LE SV-1.5X *1
3Z4S-LE SV-2.0X *2

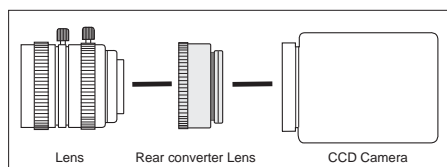
*1 In the following lenses, it is necessary to use it together with the extension tubes of 5mm or more.

SV-0614H, SV-0814H, SV-1214H, SV-2514H, SV-0614V, SV-0813V

*2 In the following lenses, it is necessary to use it together with the extension tubes of 5mm or more.

SV-0614H, SV-0814H, SV-1214H, SV-2514H, SV-0813V

●Configuration



Terms and Conditions of Sale

1. **Offer; Acceptance.** These terms and conditions (these "**Terms**") are deemed part of all quotes, agreements, purchase orders, acknowledgments, price lists, catalogs, manuals, brochures and other documents, whether electronic or in writing, relating to the sale of products or services (collectively, the "**Products**") by Omron Electronics LLC and its subsidiary companies ("**Omron**"). Omron objects to any terms or conditions proposed in Buyer's purchase order or other documents which are inconsistent with, or in addition to, these Terms.
2. **Prices; Payment Terms.** All prices stated are current, subject to change without notice by Omron. Omron reserves the right to increase or decrease prices on any unshipped portions of outstanding orders. Payments for Products are due net 30 days unless otherwise stated in the invoice.
3. **Discounts.** Cash discounts, if any, will apply only on the net amount of invoices sent to Buyer after deducting transportation charges, taxes and duties, and will be allowed only if (i) the invoice is paid according to Omron's payment terms and (ii) Buyer has no past due amounts.
4. **Interest.** Omron, at its option, may charge Buyer 1-1/2% interest per month or the maximum legal rate, whichever is less, on any balance not paid within the stated terms.
5. **Orders.** Omron will accept no order less than \$200 net billing.
6. **Governmental Approvals.** Buyer shall be responsible for, and shall bear all costs involved in, obtaining any government approvals required for the importation or sale of the Products.
7. **Taxes.** All taxes, duties and other governmental charges (other than general real property and income taxes), including any interest or penalties thereon, imposed directly or indirectly on Omron or required to be collected directly or indirectly by Omron for the manufacture, production, sale, delivery, importation, consumption or use of the Products sold hereunder (including customs duties and sales, excise, use, turnover and license taxes) shall be charged to and remitted by Buyer to Omron.
8. **Financial.** If the financial position of Buyer at any time becomes unsatisfactory to Omron, Omron reserves the right to stop shipments or require satisfactory security or payment in advance. If Buyer fails to make payment or otherwise comply with these Terms or any related agreement, Omron may (without liability and in addition to other remedies) cancel any unshipped portion of Products sold hereunder and stop any Products in transit until Buyer pays all amounts, including amounts payable hereunder, whether or not then due, which are owing to it by Buyer. Buyer shall in any event remain liable for all unpaid accounts.
9. **Cancellation; Etc.** Orders are not subject to rescheduling or cancellation unless Buyer indemnifies Omron against all related costs or expenses.
10. **Force Majeure.** Omron shall not be liable for any delay or failure in delivery resulting from causes beyond its control, including earthquakes, fires, floods, strikes or other labor disputes, shortage of labor or materials, accidents to machinery, acts of sabotage, riots, delay in or lack of transportation or the requirements of any government authority.
11. **Shipping; Delivery.** Unless otherwise expressly agreed in writing by Omron:
 - a. Shipments shall be by a carrier selected by Omron; Omron will not drop ship except in "break down" situations.
 - b. Such carrier shall act as the agent of Buyer and delivery to such carrier shall constitute delivery to Buyer;
 - c. All sales and shipments of Products shall be FOB shipping point (unless otherwise stated in writing by Omron), at which point title and risk of loss shall pass from Omron to Buyer; provided that Omron shall retain a security interest in the Products until the full purchase price is paid;
 - d. Delivery and shipping dates are estimates only; and
 - e. Omron will package Products as it deems proper for protection against normal handling and extra charges apply to special conditions.
12. **Claims.** Any claim by Buyer against Omron for shortage or damage to the Products occurring before delivery to the carrier must be presented in writing to Omron within 30 days of receipt of shipment and include the original transportation bill signed by the carrier noting that the carrier received the Products from Omron in the condition claimed.
13. **Warranties.** (a) **Exclusive Warranty.** Omron's exclusive warranty is that the Products will be free from defects in materials and workmanship for a period of twelve months from the date of sale by Omron (or such other period expressed in writing by Omron). Omron disclaims all other warranties, express or implied. (b) **Limitations.** OMRON MAKES NO WARRANTY OR REPRESENTATION, EXPRESS OR IMPLIED, ABOUT NON-INFRINGEMENT, MERCHANTABILITY OR FITNESS FOR A PARTICULAR PURPOSE OF THE PRODUCTS. BUYER ACKNOWLEDGES THAT IT ALONE HAS DETERMINED THAT THE PRODUCTS WILL SUITABLY MEET THE REQUIREMENTS OF THEIR INTENDED USE. Omron further disclaims all warranties and responsibility of any type for claims or expenses based on infringement by the Products or otherwise of any intellectual property right. (c) **Buyer Remedy.** Omron's sole obligation hereunder shall be, at Omron's election, to (i) replace (in the form originally shipped with Buyer responsible for labor charges for removal or replacement thereof) the non-complying Product, (ii) repair the non-complying Product, or (iii) repay or credit Buyer an amount equal to the purchase price of the non-complying Product; provided that in no event shall Omron be responsible for warranty, repair, indemnity or any other claims or expenses regarding the Products unless Omron's analysis confirms that the Products were properly handled, stored, installed and maintained and not subject to contamination, abuse, misuse or inappropriate modification. Return of any Products by Buyer must be approved in writing by Omron before shipment. Omron Companies shall not be liable for the suitability or unsuitability or the results from the use of Products in combination with any electrical or electronic components, circuits, system assemblies or any other materials or substances or environments. Any advice, recommendations or information given orally or in writing, are not to be construed as an amendment or addition to the above warranty. See <http://www.omron247.com> or contact your Omron representative for published information.
14. **Limitation on Liability; Etc.** OMRON COMPANIES SHALL NOT BE LIABLE FOR SPECIAL, INDIRECT, INCIDENTAL, OR CONSEQUENTIAL DAMAGES, LOSS OF PROFITS OR PRODUCTION OR COMMERCIAL LOSS IN ANY WAY CONNECTED WITH THE PRODUCTS, WHETHER SUCH CLAIM IS BASED IN CONTRACT, WARRANTY, NEGLIGENCE OR STRICT LIABILITY. Further, in no event shall liability of Omron Companies exceed the individual price of the Product on which liability is asserted.
15. **Indemnities.** Buyer shall indemnify and hold harmless Omron Companies and their employees from and against all liabilities, losses, claims, costs and expenses (including attorney's fees and expenses) related to any claim, investigation, litigation or proceeding (whether or not Omron is a party) which arises or is alleged to arise from Buyer's acts or omissions under these Terms or in any way with respect to the Products. Without limiting the foregoing, Buyer (at its own expense) shall indemnify and hold harmless Omron and defend or settle any action brought against such Companies to the extent based on a claim that any Product made to Buyer specifications infringed intellectual property rights of another party.
16. **Property; Confidentiality.** Any intellectual property in the Products is the exclusive property of Omron Companies and Buyer shall not attempt to duplicate it in any way without the written permission of Omron. Notwithstanding any charges to Buyer for engineering or tooling, all engineering and tooling shall remain the exclusive property of Omron. All information and materials supplied by Omron to Buyer relating to the Products are confidential and proprietary, and Buyer shall limit distribution thereof to its trusted employees and strictly prevent disclosure to any third party.
17. **Export Controls.** Buyer shall comply with all applicable laws, regulations and licenses regarding (i) export of products or information; (ii) sale of products to "forbidden" or other proscribed persons; and (iii) disclosure to non-citizens of regulated technology or information.
18. **Miscellaneous.** (a) **Waiver.** No failure or delay by Omron in exercising any right and no course of dealing between Buyer and Omron shall operate as a waiver of rights by Omron. (b) **Assignment.** Buyer may not assign its rights hereunder without Omron's written consent. (c) **Law.** These Terms are governed by the law of the jurisdiction of the home office of the Omron company from which Buyer is purchasing the Products (without regard to conflict of law principles). (d) **Amendment.** These Terms constitute the entire agreement between Buyer and Omron relating to the Products, and no provision may be changed or waived unless in writing signed by the parties. (e) **Severability.** If any provision hereof is rendered ineffective or invalid, such provision shall not invalidate any other provision. (f) **Setoff.** Buyer shall have no right to set off any amounts against the amount owing in respect of this invoice. (g) **Definitions.** As used herein, "including" means "including without limitation"; and "Omron Companies" (or similar words) mean Omron Corporation and any direct or indirect subsidiary or affiliate thereof.

Certain Precautions on Specifications and Use

1. **Suitability of Use.** Omron Companies shall not be responsible for conformity with any standards, codes or regulations which apply to the combination of the Product in the Buyer's application or use of the Product. At Buyer's request, Omron will provide applicable third party certification documents identifying ratings and limitations of use which apply to the Product. This information by itself is not sufficient for a complete determination of the suitability of the Product in combination with the end product, machine, system, or other application or use. Buyer shall be solely responsible for determining appropriateness of the particular Product with respect to Buyer's application, product or system. Buyer shall take application responsibility in all cases but the following is a non-exhaustive list of applications for which particular attention must be given: (i) Outdoor use, uses involving potential chemical contamination or electrical interference, or conditions or uses not described in this document. (ii) Use in consumer products or any use in significant quantities. (iii) Energy control systems, combustion systems, railroad systems, aviation systems, medical equipment, amusement machines, vehicles, safety equipment, and installations subject to separate industry or government regulations. (iv) Systems, machines and equipment that could present a risk to life or property. Please know and observe all prohibitions of use applicable to this Product. NEVER USE THE PRODUCT FOR AN APPLICATION INVOLVING SERIOUS RISK TO LIFE OR PROPERTY OR IN LARGE QUANTITIES WITHOUT ENSURING THAT THE SYSTEM AS A WHOLE HAS BEEN DESIGNED TO ADDRESS THE RISKS, AND THAT THE OMRON'S PRODUCT IS PROPERLY RATED AND INSTALLED FOR THE INTENDED USE WITHIN THE OVERALL EQUIPMENT OR SYSTEM.
2. **Programmable Products.** Omron Companies shall not be responsible for the user's programming of a programmable Product, or any consequence thereof.
3. **Performance Data.** Data presented in Omron Company websites, catalogs and other materials is provided as a guide for the user in determining suitability and does not constitute a warranty. It may represent the result of Omron's test conditions, and the user must correlate it to actual application requirements. Actual performance is subject to the Omron's Warranty and Limitations of Liability.
4. **Change in Specifications.** Product specifications and accessories may be changed at any time based on improvements and other reasons. It is our practice to change part numbers when published ratings or features are changed, or when significant construction changes are made. However, some specifications of the Product may be changed without any notice. When in doubt, special part numbers may be assigned to fix or establish key specifications for your application. Please consult with your Omron's representative at any time to confirm actual specifications of purchased Product.
5. **Errors and Omissions.** Information presented by Omron Companies has been checked and is believed to be accurate; however, no responsibility is assumed for clerical, typographical or proofreading errors or omissions.

OMRON INDUSTRIAL AUTOMATION • THE AMERICAS HEADQUARTERS

Schaumburg, IL USA • 847.843.7900 • 800.556.6766 • www.omron247.com

OMRON CANADA, INC. • HEAD OFFICE

Toronto, ON, Canada • 416.286.6465 • 866.986.6766 • www.omron247.com

OMRON ELECTRONICS DE MEXICO • HEAD OFFICE

México DF • 52.55.59.01.43.00 • 001.800.556.6766 • mela@omron.com

OMRON ELECTRONICS DE MEXICO • SALES OFFICE

Apodaca, N.L. • 52.81.11.56.99.20 • 001.800.556.6766 • mela@omron.com

OMRON ELETRÔNICA DO BRASIL LTDA • HEAD OFFICE

São Paulo, SP, Brasil • 55.11.2101.6300 • www.omron.com.br

OMRON ARGENTINA • SALES OFFICE

Cono Sur • 54.11.4783.5300

OMRON CHILE • SALES OFFICE

Santiago • 56.9.9917.3920

OTHER OMRON LATIN AMERICA SALES

54.11.4783.5300

OMRON EUROPE B.V. • Wegalaan 67-69, NL-2132 JD, Hoofddorp, The Netherlands. • Tel: +31 (0) 23 568 13 00

Fax: +31 (0) 23 568 13 88 • www.industrial.omron.eu



Компания «ЭлектроПласт» предлагает заключение долгосрочных отношений при поставках импортных электронных компонентов на взаимовыгодных условиях!

Наши преимущества:

- Оперативные поставки широкого спектра электронных компонентов отечественного и импортного производства напрямую от производителей и с крупнейших мировых складов;
- Поставка более 17-ти миллионов наименований электронных компонентов;
- Поставка сложных, дефицитных, либо снятых с производства позиций;
- Оперативные сроки поставки под заказ (от 5 рабочих дней);
- Экспресс доставка в любую точку России;
- Техническая поддержка проекта, помощь в подборе аналогов, поставка прототипов;
- Система менеджмента качества сертифицирована по Международному стандарту ISO 9001;
- Лицензия ФСБ на осуществление работ с использованием сведений, составляющих государственную тайну;
- Поставка специализированных компонентов (Xilinx, Altera, Analog Devices, Intersil, Interpoint, Microsemi, Aeroflex, Peregrine, Syfer, Eurofarad, Texas Instrument, Miteq, Cobham, E2V, MA-COM, Hittite, Mini-Circuits, General Dynamics и др.);

Помимо этого, одним из направлений компании «ЭлектроПласт» является направление «Источники питания». Мы предлагаем Вам помощь Конструкторского отдела:

- Подбор оптимального решения, техническое обоснование при выборе компонента;
- Подбор аналогов;
- Консультации по применению компонента;
- Поставка образцов и прототипов;
- Техническая поддержка проекта;
- Защита от снятия компонента с производства.



Как с нами связаться

Телефон: 8 (812) 309 58 32 (многоканальный)

Факс: 8 (812) 320-02-42

Электронная почта: org@eplast1.ru

Адрес: 198099, г. Санкт-Петербург, ул. Калинина, дом 2, корпус 4, литера А.