

# NCP1219

## PWM Controller with Adjustable Skip Level and External Latch Input

The NCP1219 represents a new, pin to pin compatible, generation of the successful 7-pin current mode NCP12XX product series. The controller allows for excellent standby power consumption by use of its adjustable skip mode and integrated high voltage startup FET. Internal frequency jittering, ramp compensation, timer-based fault detection and a latch input make this controller an excellent candidate for converters where ruggedness and component cost are the key constraints.

The Dynamic Self Supply (DSS) drastically simplifies the transformer design in avoiding the use of an auxiliary winding to supply the NCP1219. This feature is particularly useful in applications where the output voltage varies during operation (e.g. battery chargers). Due to its high voltage technology, the IC can be directly connected to the high voltage dc rail.

### Features

- Fixed-Frequency Current-Mode Operation with Ramp Compensation (65 kHz and 100 kHz Options)
- Dynamic Self Supply Eliminates the Need for an Auxiliary Winding
- Timer-Based Fault Protection for Improved Overload Detection
- Cycle Skip Reduces Input Power in Standby Mode
- Latch and Auto-Recovery Overload Protection Options
- Internal High Voltage Startup Circuit
- Accurate Current Limit Detector ( $\pm 5\%$ )
- Adjustable Skip Level
- Latch Input for Easy Implementation of Overvoltage and Overtemperature Protection
- Frequency Modulation for Softened EMI Signature
- 500 mA/800 mA Peak Source/Sink Current Drive Capability
- Pin to Pin Compatible with the Existing NCP12XX Series
- These Devices are Pb-Free and Halogen Free/BFR Free\*

### Typical Applications

- AC-DC Adapters for Notebooks, LCD Monitors
- Offline Battery Chargers
- Consumer Electronic Appliances STB, DVD, DVDR

\*For additional information on our Pb-Free strategy and soldering details, please download the ON Semiconductor Soldering and Mounting Techniques Reference Manual, SOLDERRM/D.



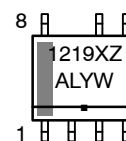
ON Semiconductor®

<http://onsemi.com>



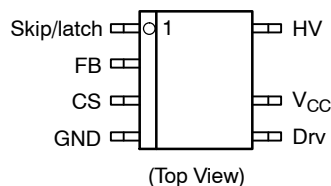
SOIC-7  
D SUFFIX  
CASE 751U

### MARKING DIAGRAM



1219 = Specific Device Code  
X = Overcurrent  
(A = latch, B = auto-retry)  
Z = Frequency  
(6 = 65 kHz, 1 = 100 kHz)  
A = Assembly Location  
L = Wafer Lot  
Y = Year  
W = Work Week  
▪ = Pb-Free Package

### PIN CONNECTIONS



### ORDERING INFORMATION

See detailed ordering and shipping information in the package dimensions section on page 19 of this data sheet.

# NCP1219

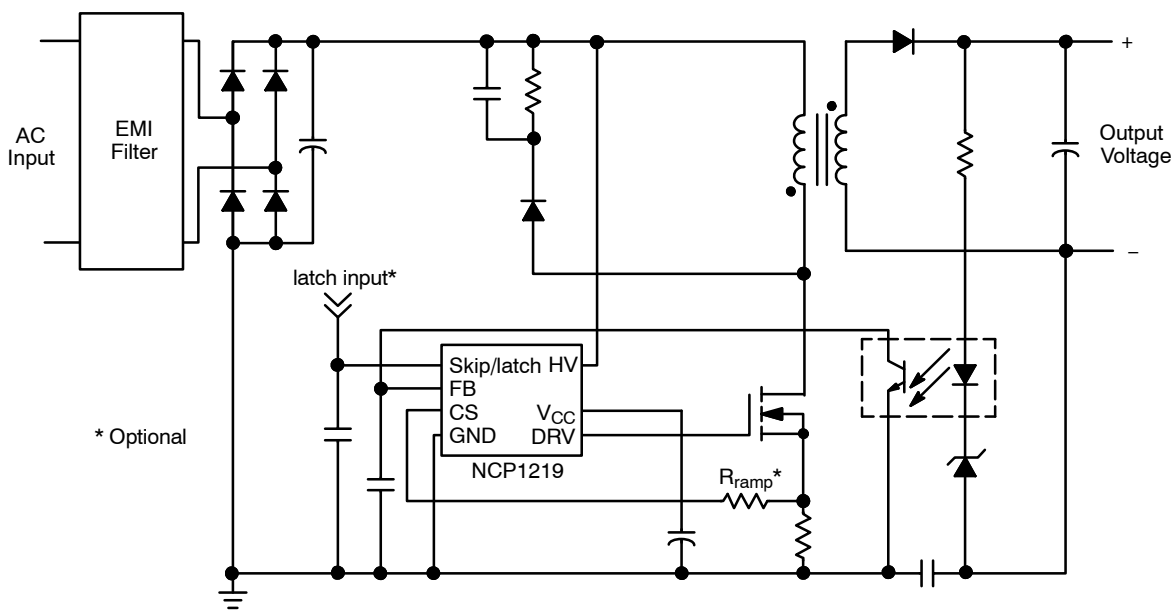
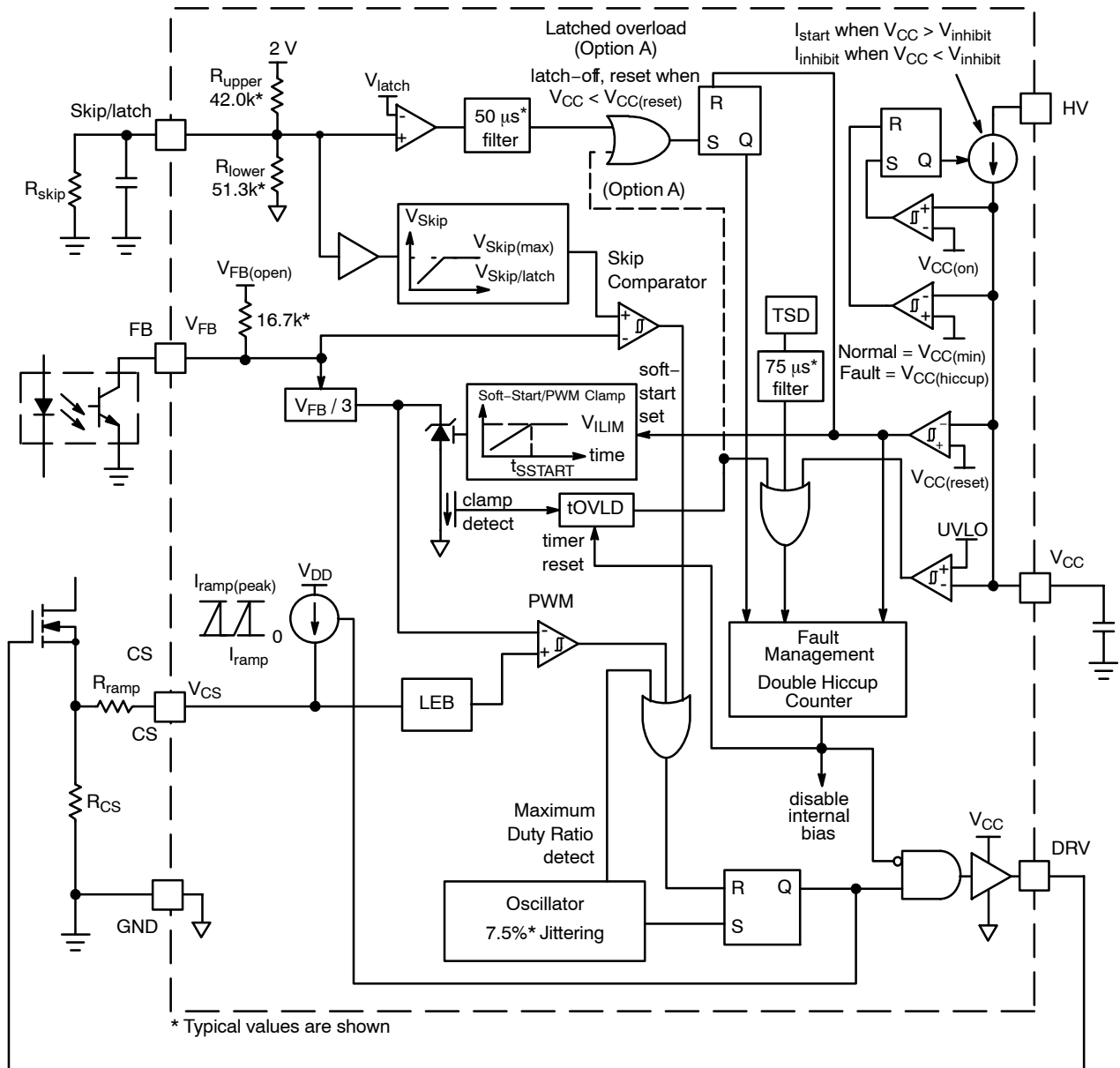


Figure 1. Typical Application Circuit

# NCP1219



**Figure 2. Functional Block Diagram**

# NCP1219

**Table 1. PIN FUNCTION DESCRIPTION**

Pin	Name	Description
1	Skip/latch	This pin provides a latch input to permanently disable the device under a fault condition. It also allows the user to adjust the skip threshold. A resistor between this pin and GND provides noise immunity to the latch input and sets the skip threshold. The voltage on this pin is determined by the combination of the internal voltage divider and the external resistor to ground. The default skip threshold is 1.1 V (typical) if no external resistor is used. An internal clamp prevents the skip level from increasing above 1.3 V if the Skip/latch pin is pulled high to latch the controller.
2	FB	The voltage on this pin is proportional to the output load on the converter. An internal resistor divider sets the voltage on this pin above the regulation threshold (3 V) and an external optocoupler pulls the pin low to achieve regulation. While the FB voltage is above its regulation threshold, the overload timer is enabled. If the overload timer expires, the controller enters a double hiccup mode (option B) or is latched (option A) depending on the version of the device. The converter enters skip mode if the FB voltage is below the skip threshold.
3	CS	A voltage ramp proportional to the primary current is applied to this pin. The maximum current is reached once the ramp voltage reaches 1 V (typical). A 100 $\mu$ A (typical) current source provides ramp compensation. The amount of ramp compensation is adjusted with a series resistor between the CS pin and the current sense resistor.
4	GND	Analog ground.
5	DRV	Main output of the PWM Controller. DRV has a source resistance of 12.6 $\Omega$ (typical) and a sink resistance of 6.7 $\Omega$ (typical).
6	VCC	Positive input supply. This pin connects to an external capacitor for energy storage. An internal current source supplies current from the HV pin to this pin. Once the $V_{CC}$ voltage reaches $V_{CC(on)}$ (12.7 V typical), the current source turns off and the DRV is enabled. The current source turns on once $V_{CC}$ falls to $V_{CC(min)}$ (9.9 V typical). This mode of operation is known as dynamic self supply (DSS).  If the bias current consumption exceeds the startup current, and $V_{CC}$ drops 0.5 V (typical) below $V_{CC(min)}$ the converter turns off and enters a double hiccup mode. If the $V_{CC}$ voltage is below 0.67 V (typical) the startup current is reduced to 200 $\mu$ A (typical), reducing power dissipation.
8	HV	This is the input of the high voltage startup regulator and connects directly to the bulk voltage. A controlled current source supplies current from this pin to the $V_{CC}$ capacitor, eliminating the need for an external startup resistor. The charge current is 12.8 mA (typical).

# NCP1219

**Table 2. MAXIMUM RATINGS** (Notes 1 – 4)

Rating	Symbol	Value	Unit
HV Voltage	$V_{HV}$	-0.3 to 500	V
HV Current	$I_{HV}$	100	mA
Supply Voltage	$V_{CC}$	-0.3 to 20	V
Supply Current	$I_{CC}$	100	mA
Skip/latch Voltage	$V_{Skip/latch}$	-0.3 to 9.5	V
Skip/latch Current	$I_{Skip/latch}$	100	mA
FB Voltage	$V_{FB}$	-0.3 to 5.0	V
FB Current	$I_{FB}$	100	mA
CS Voltage	$V_{CS}$	-0.3 to 5.0	V
CS Current	$I_{CS}$	100	mA
DRV Voltage	$V_{DRV}$	-0.3 to 20	V
DRV Current	$I_{DRV}$	-500 to 800	mA
Operating Junction Temperature	$T_J$	-40 to 150	°C
Storage Temperature Range	$T_{stg}$	-60 to 150	°C
Power Dissipation ( $T_A = 25^\circ\text{C}$ , 2.0 Oz Cu, 1.0 Sq Inch Printed Circuit Copper Clad) D Suffix, Plastic Package Case 751U (SOIC-7) (Note 4)	$P_D$	0.92	W
Thermal Resistance, Junction to Ambient (2.0 Oz Cu Printed Circuit Copper Clad) D Suffix, Plastic Package Case 751U (SOIC-7)			°C/W
Junction to Air, Low conductivity PCB (Note 3)	$R_{\theta JA}$	177	
Junction to Lead, Low conductivity PCB (Note 3)	$R_{\theta JL}$	75	
Junction to Air, High conductivity PCB (Note 4)	$R_{\theta JA}$	136	
Junction to Lead, High conductivity PCB (Note 4)	$R_{\theta JL}$	69	

Stresses exceeding Maximum Ratings may damage the device. Maximum Ratings are stress ratings only. Functional operation above the Recommended Operating Conditions is not implied. Extended exposure to stresses above the Recommended Operating Conditions may affect device reliability.

- This device series contains ESD protection and exceeds the following tests:  
 Pins 1– 6: Human Body Model 3000 V per JEDEC JESD22–A114–F.  
 Machine Model Method 300 V per JEDEC JESD22–A115–A.  
 Pin 8 is the HV startup of the device and is rated to the maximum rating of the part, or 500 V.
- This device contains Latch–Up protection and exceeds  $\pm 100$  mA per JEDEC Standard JESD78.
- As mounted on a 40x40x1.5 mm FR4 substrate with a single layer of 80 mm<sup>2</sup> of 2 oz copper traces and heat spreading area. As specified for a JEDEC 51 low conductivity test PCB. Test conditions were under natural convection or zero air flow.
- As mounted on a 40x40x1.5 mm FR4 substrate with a single layer of 650 mm<sup>2</sup> of 2 oz copper traces and heat spreading area. As specified for a JEDEC 51 high conductivity test PCB. Test conditions were under natural convection or zero air flow.

# NCP1219

**Table 3. ELECTRICAL CHARACTERISTICS** ( $V_{HV} = 60\text{ V}$ ,  $V_{CC} = 11.3\text{ V}$ ,  $V_{FB} = 2\text{ V}$ ,  $V_{Skip/latch} = 0\text{ V}$ ,  $V_{CS} = 0\text{ V}$ ,  $V_{DRV} = \text{open}$ ,  $C_{CC} = 0.1\text{ }\mu\text{F}$ , for typical values  $T_J = 25^\circ\text{C}$ , for min/max values,  $T_J$  is  $-40^\circ\text{C}$  to  $125^\circ\text{C}$ , unless otherwise noted)

Characteristics	Conditions	Symbol	Min	Typ	Max	Unit
<b>STARTUP AND SUPPLY CIRCUITS</b>						
Supply Voltage						V
Startup Threshold	$V_{CC}$ Increasing	$V_{CC(on)}$	11.2	12.7	13.8	
Minimum Operating Voltage	$V_{CC}$ Decreasing	$V_{CC(MIN)}$	9.0	9.9	10.8	
Undervoltage Lockout	$V_{CC}$ Decreasing	UVLO	8.4	9.4	10.6	
Double Hiccup Threshold	$V_{CC}$ Decreasing	$V_{CC(hiccup)}$	4.9	5.7	6.3	
Logic Reset Voltage	$V_{CC}$ Decreasing	$V_{CC(reset)}$	–	4.0	–	
UVLO Filter Delay		$t_{UVLO(delay)}$	–	50	–	$\mu\text{s}$
Inhibit Threshold Voltage	$I_{inhibit} = 500\text{ }\mu\text{A}$	$V_{inhibit}$	0.35	0.67	0.90	V
Inhibit Bias Current	$V_{CC} = 0\text{ V}$	$I_{inhibit}$	100	200	350	$\mu\text{A}$
Minimum Startup Voltage	$I_{start} = 0.5\text{ mA}$ , $V_{CC} = V_{CC(on)} - 0.5\text{ V}$	$V_{start(min)}$	–	20	28	V
Startup Current	$V_{CC} = V_{CC(on)} - 0.5\text{ V}$	$I_{start}$	5.5	12.8	18.5	mA
Startup Circuit Reverse Current	$V_{HV} = 0\text{ V}$ , $V_{CC} = 14\text{ V}$	$I_{HV(reverse)}$	–	–	100	$\mu\text{A}$
Off-State Leakage Current	$V_{HV} = 500\text{ V}$ , $V_{CC} = 14\text{ V}$	$I_{HV(off)}$	–	12	50	$\mu\text{A}$
Breakdown Voltage (Note 5)	$I_{HV} = 50\text{ }\mu\text{A}$	$V_{BR(DS)}$	500	–	–	V
Supply Current						mA
Device Disabled/Fault	$V_{Skip/latch} = 5.2\text{ V}$ , $V_{FB} = \text{open}$	$I_{CC1}$	–	0.6	0.8	
Device Enabled/No Switching	$V_{Skip/latch} = \text{open}$ , $V_{FB} = 0\text{ V}$	$I_{CC2}$	–	1.4	2.1	
Device Switching (65 kHz)	$V_{Skip/latch} = \text{open}$ , $C_{DRV} = 1000\text{ pF}$	$I_{CC3A}$	–	2.2	2.7	
Device Switching (100 kHz)	$V_{Skip/latch} = \text{open}$ , $C_{DRV} = 1000\text{ pF}$	$I_{CC3B}$	–	2.4	3.2	
<b>CURRENT SENSE</b>						
Current Sense Voltage Threshold	Apply voltage step on CS pin	$V_{ILIM}$	0.95	1.0	1.05	V
Leading Edge Blanking Duration		$t_{LEB}$	100	184	330	ns
Propagation Delay	$V_{CS} > V_{ILIM}$ to 50% DRV turns off, $C_{DRV} = 1000\text{ pF}$	$t_{delay}$	–	59	150	ns
Ramp Compensation Peak Current		$I_{ramp(peak)}$	–	100	–	$\mu\text{A}$
Ramp Compensation Valley Current		$I_{ramp(valley)}$	–	0	–	$\mu\text{A}$
<b>FEEDBACK INPUT</b>						
Open Feedback Voltage		$V_{FB(open)}$	3.2	3.6	3.9	V
Internal Pull-up Resistance		$R_{FB}$	–	16.7	–	$\text{k}\Omega$
Feedback Pull-up Current	$V_{FB} = 0\text{ V}$	$I_{FB}$	141	280	392	$\mu\text{A}$
Feedback to Current Set Point Ratio		$I_{ratio}$	–	3.0	–	
<b>SOFT-START</b>						
Soft-Start Period	Measured at $0.9 V_{ILIM}$	$t_{SSTART}$	–	4.8	–	ms
<b>OSCILLATOR</b>						
Oscillator Frequency		$f_{OSC}$				kHz
65 kHz Option	$T_J = 25^\circ\text{C}$		61.75	65	68.25	
	$T_J = -40^\circ\text{C}$ to $85^\circ\text{C}$		58	–	71	
	$T_J = -40^\circ\text{C}$ to $125^\circ\text{C}$		55	–	71	
100 kHz Option	$T_J = 25^\circ\text{C}$		95	100	105	
	$T_J = -40^\circ\text{C}$ to $85^\circ\text{C}$		89	–	107	
	$T_J = -40^\circ\text{C}$ to $125^\circ\text{C}$		85	–	107	
Frequency Modulation in Percentage of $f_{OSC}$			–	$\pm 7.5$	–	%
Frequency Modulation Period			–	6.0	–	ms
Maximum Duty Ratio		D	75	80	85	%

5. Guaranteed by the  $I_{HV(off)}$  test.

6. Guaranteed by design only.

# NCP1219

**Table 3. ELECTRICAL CHARACTERISTICS** ( $V_{HV} = 60\text{ V}$ ,  $V_{CC} = 11.3\text{ V}$ ,  $V_{FB} = 2\text{ V}$ ,  $V_{Skip/latch} = 0\text{ V}$ ,  $V_{CS} = 0\text{ V}$ ,  $V_{DRV} = \text{open}$ ,  $C_{CC} = 0.1\text{ }\mu\text{F}$ , for typical values  $T_J = 25^\circ\text{C}$ , for min/max values,  $T_J$  is  $-40^\circ\text{C}$  to  $125^\circ\text{C}$ , unless otherwise noted)

Characteristics	Conditions	Symbol	Min	Typ	Max	Unit
<b>GATE DRIVE</b>						
Drive Resistance DRV Sink DRV Source	$V_{FB} = 0\text{ V}$ , $V_{DRV} = 1\text{ V}$ $V_{DRV} = V_{CC} - 1\text{ V}$	$R_{SNK}$ $R_{SRC}$	2.0 6.0	6.7 12.6	13 25	$\Omega$
Rise Time (10% to 90%)	$C_{DRV} = 1000\text{ pF}$ (10% to 90%)	$t_r$	–	30	–	ns
Fall Time (90% to 10%)	$C_{DRV} = 1000\text{ pF}$ (90% to 10%)	$t_f$	–	20	–	ns
<b>LATCH INPUT</b>						
Latch Voltage Threshold		$V_{latch}$	3.4	3.9	4.6	V
Latch Filter Delay	$V_{Skip/latch} = 5.2\text{ V}$ , apply voltage step on Skip/latch pin	$t_{latch}(\text{delay})$	–	50	–	$\mu\text{s}$
<b>CYCLE SKIP</b>						
Default Skip Threshold	$V_{FB}$ increasing, $V_{Skip/latch} = \text{Open}$	$V_{skip}$	0.9	1.1	1.3	V
Skip Clamp Voltage	$V_{FB}$ increasing, $V_{Skip/latch} = 2.0\text{ V}$	$V_{skip}(\text{MAX})$	1.1	1.3	1.5	V
Skip Comparator Hysteresis	$V_{FB}$ decreasing, $V_{Skip/latch} = 0.5\text{ V}$	$V_{skip}(\text{HYS1})$	–	75	–	mV
Skip Clamp Comparator Hysteresis	$V_{FB}$ decreasing, $V_{Skip/latch} = 2.0\text{ V}$	$V_{skip}(\text{HYS2})$	–	75	–	mV
Skip Current	$V_{Skip/latch} = 0\text{ V}$	$I_{skip}$	30	47	56	$\mu\text{A}$
<b>FAULTS PROTECTION</b>						
Thermal Shutdown (Note 6)	Temperature Increasing	$T_{SHDN}$	–	155	–	$^\circ\text{C}$
Thermal Shutdown Hysteresis	Temperature Decreasing	$T_{SHDN}(\text{HYS})$	–	40	–	$^\circ\text{C}$
Thermal Shutdown Delay		$T_{SHDN}(\text{delay})$	–	75	–	$\mu\text{s}$
Overload Timer	Apply voltage step on FB pin	$t_{OVL D}$	–	118	–	ms

5. Guaranteed by the  $I_{HV}(\text{off})$  test.

6. Guaranteed by design only.

TYPICAL CHARACTERISTICS

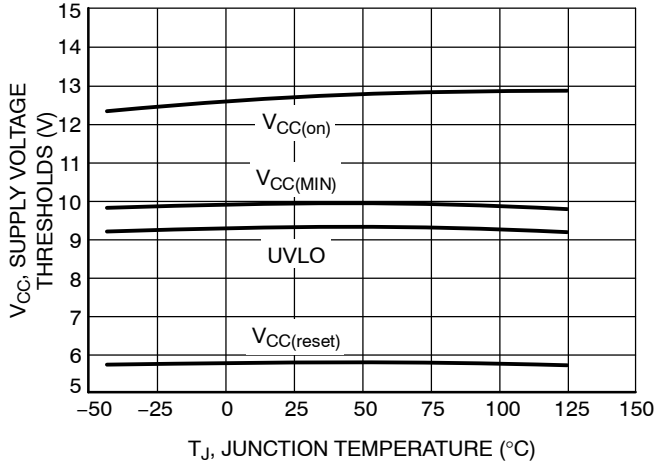


Figure 3. Supply Voltage Thresholds vs. Junction Temperature

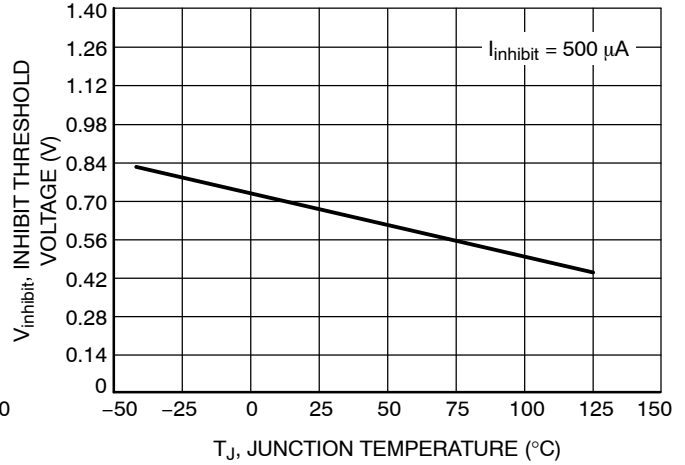


Figure 4. Inhibit Threshold Voltage vs. Junction Temperature

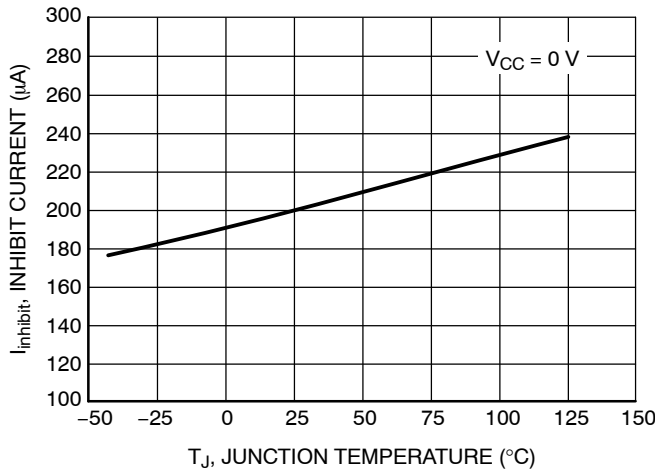


Figure 5. Inhibit Current vs. Junction Temperature

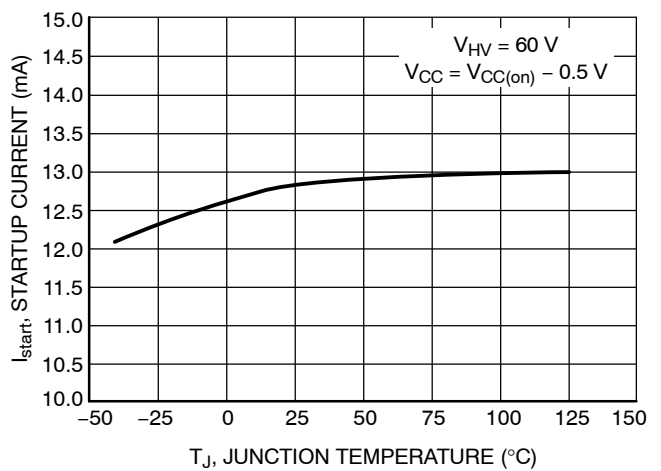


Figure 6. Startup Current vs. Junction Temperature

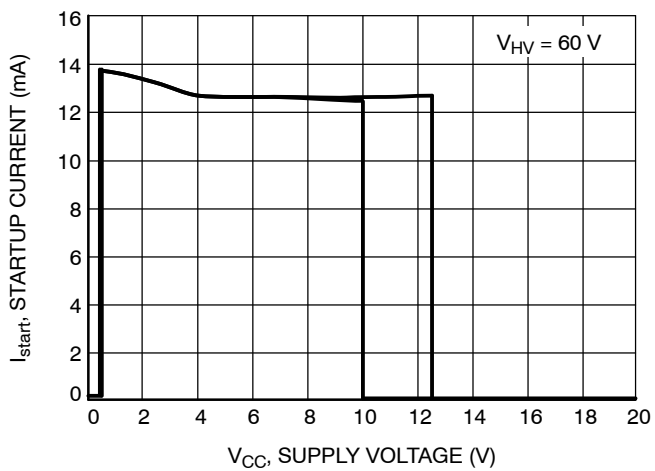


Figure 7. Startup Current vs. Supply Voltage

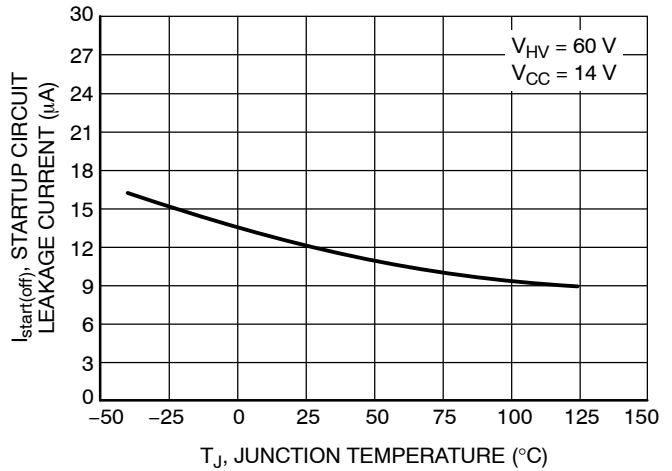


Figure 8. Startup Circuit Leakage Current vs. Junction Temperature



TYPICAL CHARACTERISTICS

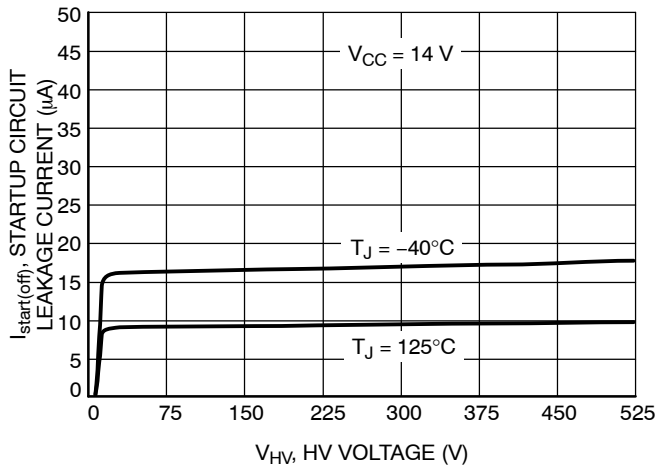


Figure 9. Startup Circuit Leakage Current vs. HV Voltage

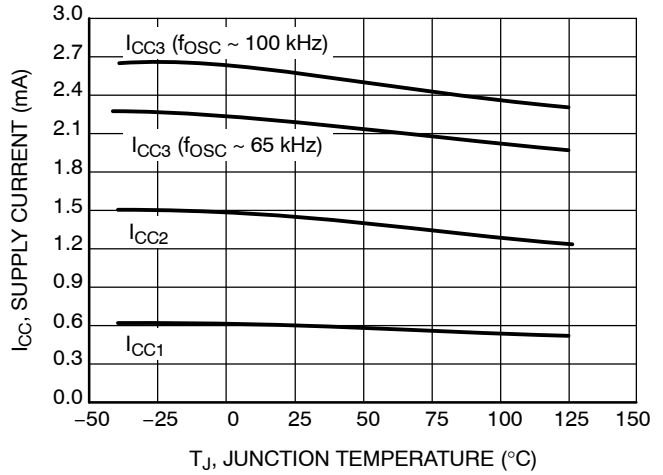


Figure 10. Supply Current vs. Junction Temperature

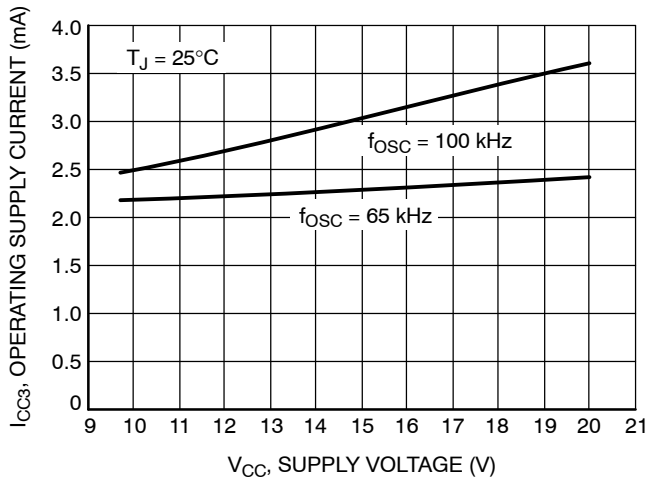


Figure 11. Operating Supply Current vs. Supply Voltage

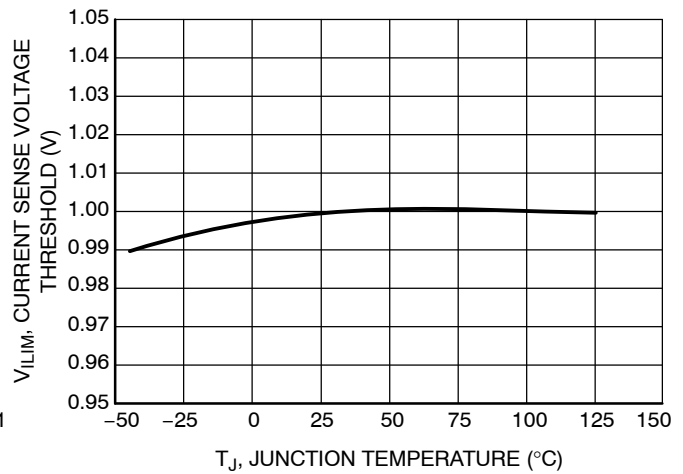


Figure 12. Current Sense Voltage Threshold vs. Junction Temperature

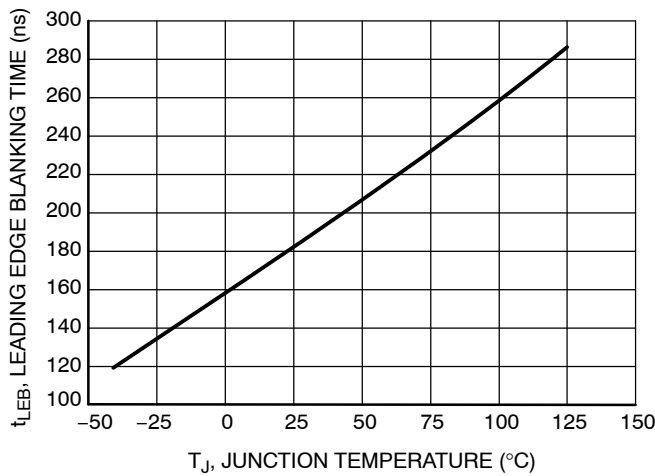


Figure 13. Leading Edge Blanking Time vs. Junction Temperature

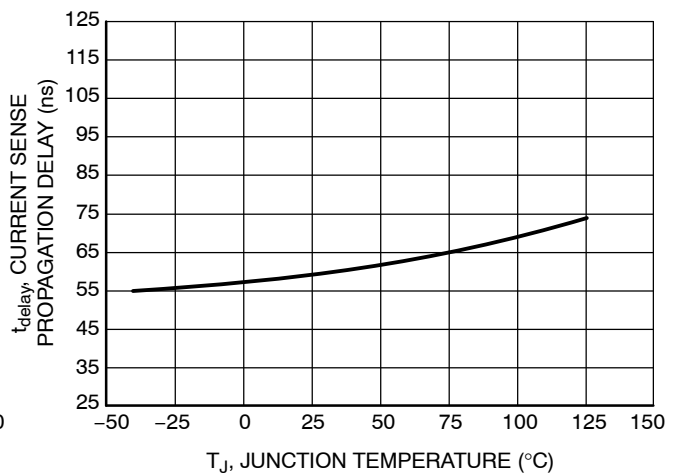


Figure 14. Current Sense Propagation Delay vs. Junction Temperature

TYPICAL CHARACTERISTICS

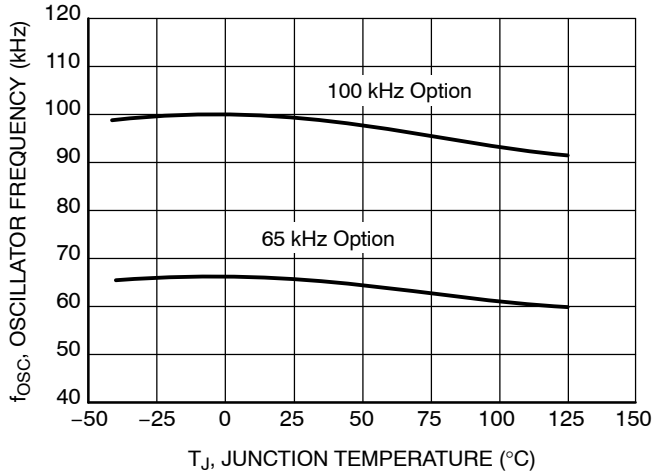


Figure 15. Oscillator Frequency vs. Junction Temperature

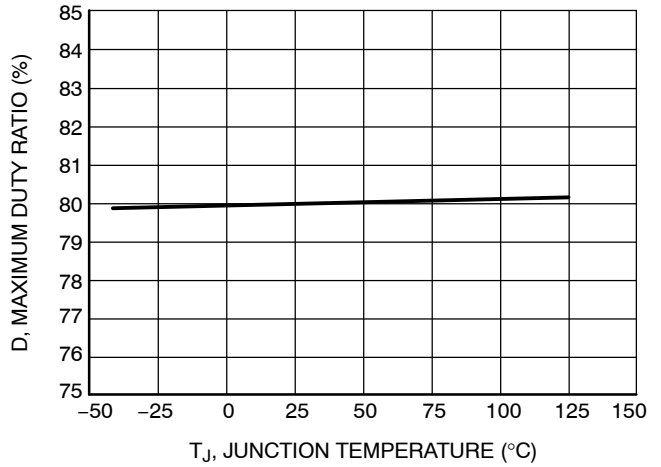


Figure 16. Maximum Duty Ratio vs. Junction Temperature

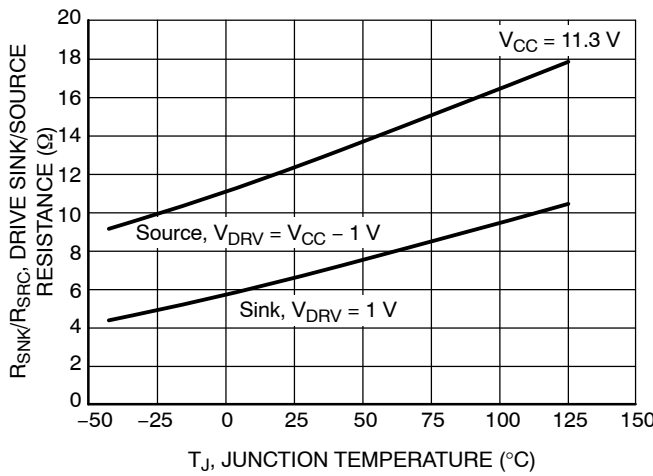


Figure 17. Drive Sink and Source Resistances vs. Junction Temperature

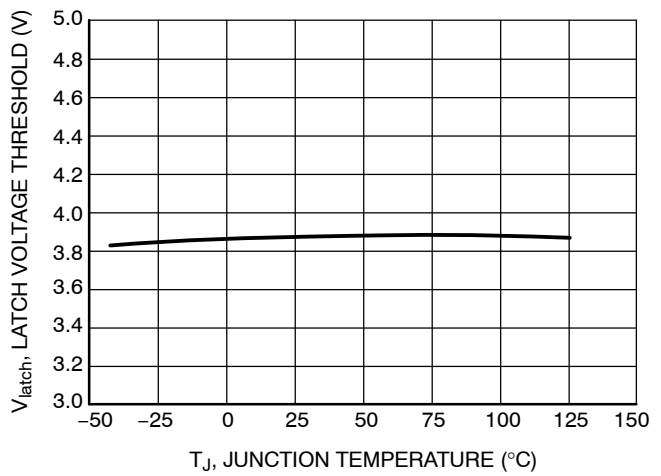


Figure 18. Latch Voltage Threshold vs. Junction Temperature

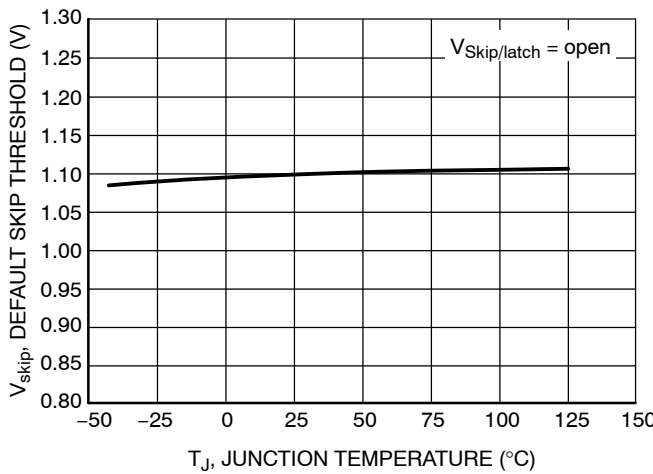


Figure 19. Default Skip Threshold vs. Junction Temperature

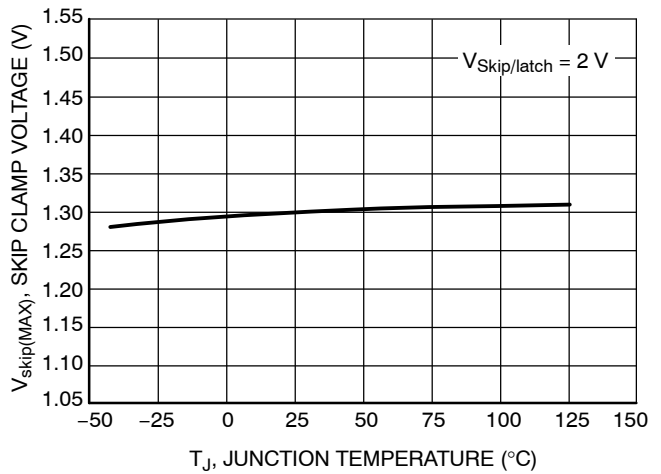


Figure 20. Skip Clamp Voltage vs. Junction Temperature

TYPICAL CHARACTERISTICS

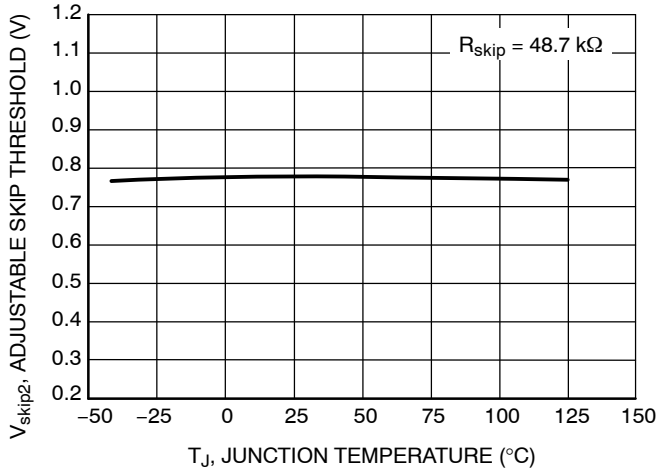


Figure 21. Adjustable Skip Threshold vs. Junction Temperature

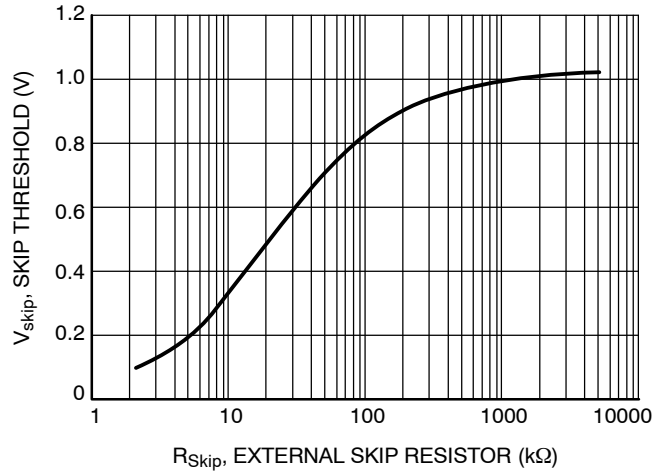


Figure 22. Skip Threshold vs. Skip Resistor

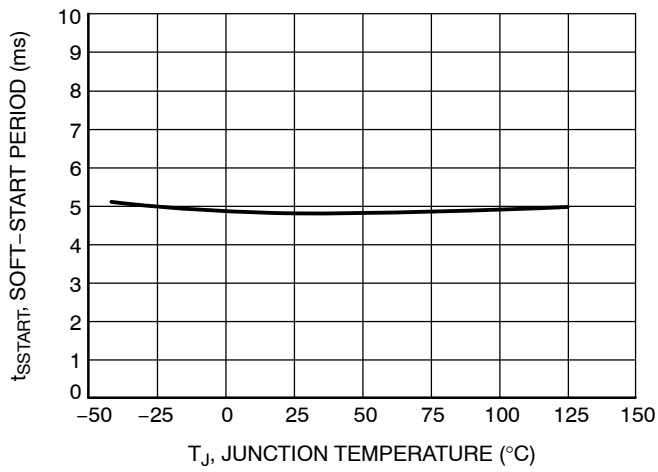


Figure 23. Soft-Start Period vs. Junction Temperature

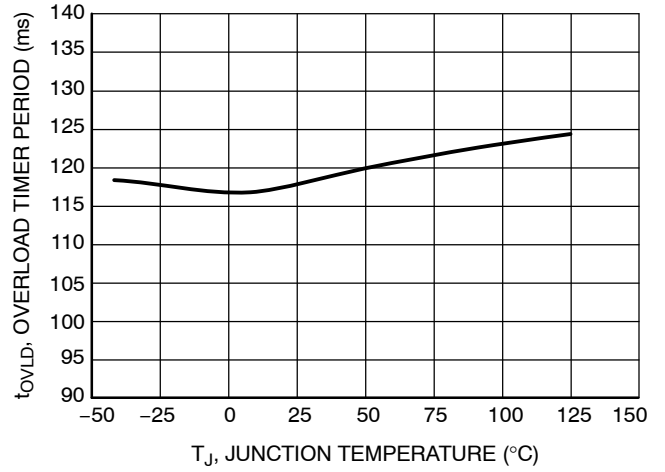


Figure 24. Overload Timer Period vs. Junction Temperature

## DETAILED OPERATING DESCRIPTION

The NCP1219 is part of a product family of current mode controllers designed for ac–dc applications requiring low standby power. The controller operates in skip or burst mode at light load. Its high integration reduces component count resulting in a more compact and lower cost power supply. This device family has 2 options, A and B. Option A latches where as option B auto restarts after an overload fault.

The internal high voltage startup circuit with dynamic self supply (DSS) allows the controller to operate without an auxiliary supply, simplifying the transformer design. This feature is particularly useful in applications where the output voltage varies during operation (e.g. printer adapters).

Other features found in the NCP1219 are frequency jittering, adjustable ramp compensation, timer based fault detection and a dedicated latch input.

**High Voltage Startup Circuit**

The NCP1219 internal high voltage startup circuit eliminates the need for external startup components and provides a faster startup time compared to an external startup resistor. The startup circuit consists of a constant current source that supplies current from the HV pin to the supply capacitor on the  $V_{CC}$  pin ( $C_{CC}$ ). The HV pin is rated at 500 V allowing direct connection to the bulk capacitor. The start–up current ( $I_{start}$ ) is typically 12.8 mA.

The startup current source is disabled once the  $V_{CC}$  voltage reaches  $V_{CC(on)}$ , typically 12.7 V. The controller is then biased by the  $V_{CC}$  capacitor. The current source is enabled once the  $V_{CC}$  voltage decays to its minimum operating threshold ( $V_{CC(MIN)}$ ) typically 9.9 V. If the

supply current consumption exceeds the startup current,  $V_{CC}$  will decay below  $V_{CC(MIN)}$ . The NCP1219 has an undervoltage lockout (UVLO) to prevent operation at low  $V_{CC}$  levels. The UVLO threshold is typically 9.4 V. The DRV signal is immediately disabled upon reaching UVLO. It is re–enabled if  $V_{CC}$  increases above UVLO before the 50  $\mu$ s (typical) timer expires. Otherwise, the controller enters double hiccup mode.

The controller enters a double hiccup mode if an overload (option B), thermal shutdown, UVLO or latch fault is detected. A double hiccup fault disables the DRV signal, sets the controller in a low current mode and allows  $V_{CC}$  to discharge to  $V_{CC(hiccup)}$ , typically 5.7 V. This cycle is repeated twice to minimize power dissipation in external components during a fault event. Figures 25 and 26 show double hiccup mode operation with a fault occurring while the startup circuit is disabled and enabled, respectively. A soft–start sequence is initiated the second time  $V_{CC}$  reaches  $V_{CC(on)}$ . If the fault is present or the controller is latched upon reaching  $V_{CC(on)}$ , the controller stays in hiccup mode. During this mode,  $V_{CC}$  never drops below 4 V, the controller logic reset level. This prevents latched faults from being cleared unless power to the controller is completely removed (i.e. unplugging the supply from the AC line). There are two options available in the NCP1219, options A and B. Option A latches off after the overload timer expires if an overload fault is detected. In this case,  $V_{CC}$  cycles between  $V_{CC(on)}$  and  $V_{CC(hiccup)}$  without enabling the DRV signal until the power to the controller is reset. On the other hand, option B has auto–retry circuitry allowing the DRV signal to restart after a double hiccup sequence triggered by an overload condition.

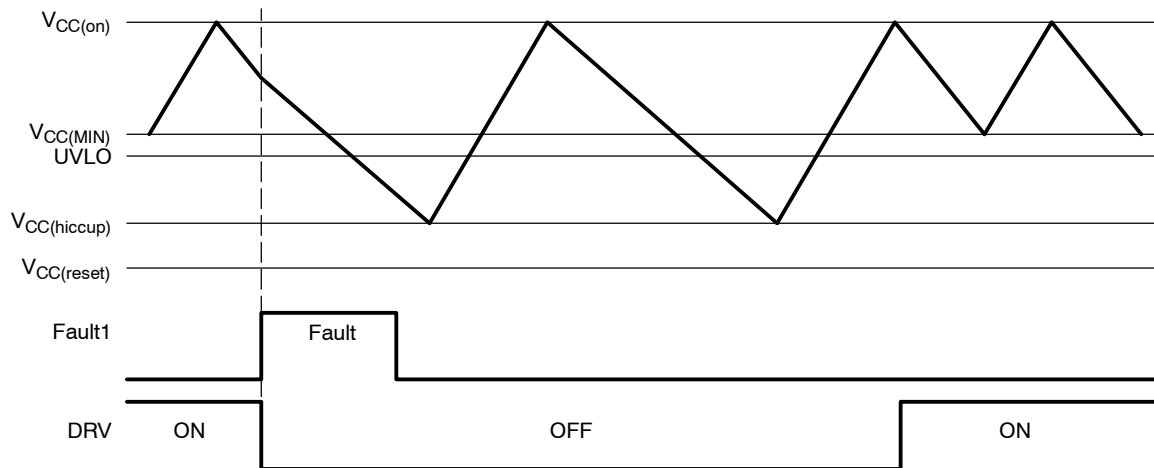


Figure 25.  $V_{CC}$  Double Hiccup Operation with a Fault Occurring While the Startup Circuit is Disabled.

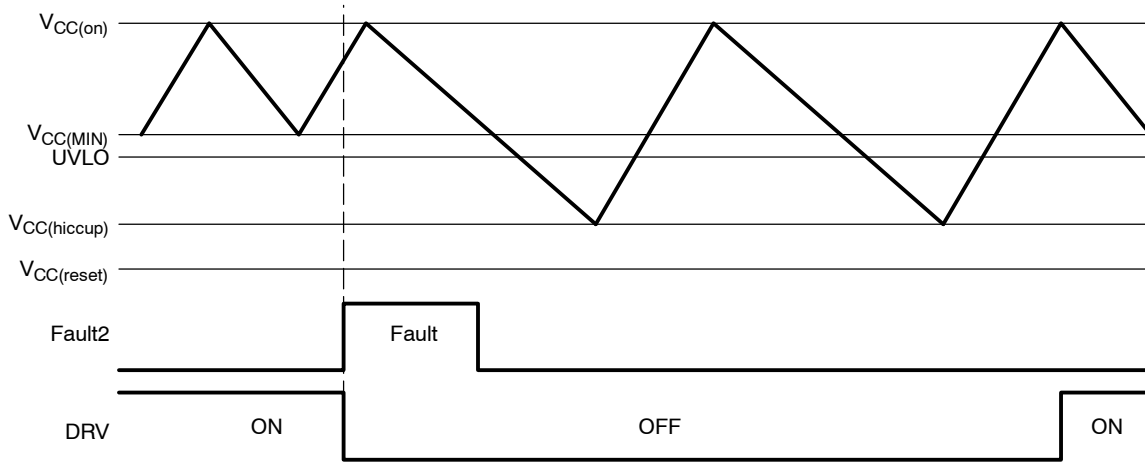


Figure 26. V<sub>CC</sub> Double Hiccup Operation with a Fault Occurring While the Startup Circuit is Enabled

An internal supervisory circuit monitors the V<sub>CC</sub> voltage to prevent the controller from dissipating excessive power if the V<sub>CC</sub> pin is accidentally grounded. A lower level current source (I<sub>inhibit</sub>) charges C<sub>CC</sub> from 0 V to V<sub>inhibit</sub>, typically 0.67 V. Once V<sub>CC</sub> exceeds V<sub>inhibit</sub>, the startup current source is enabled. This behavior is illustrated in Figure 27. This slightly increases the total time to charge V<sub>CC</sub>, but it is generally not noticeable.

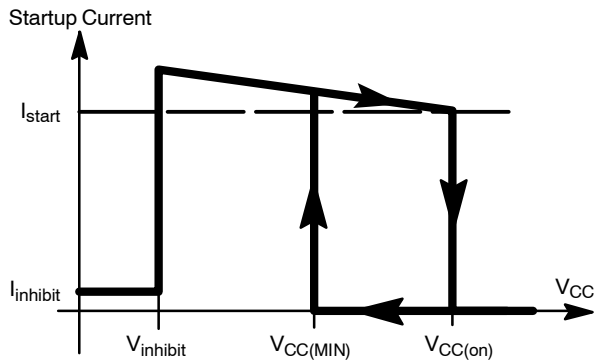


Figure 27. Startup Current at Various V<sub>CC</sub> Levels

The start-up circuit is rated at a maximum voltage of 500 V. If the device operates in the DSS mode, power dissipation should be controlled to avoid exceeding the maximum power dissipation of the controller. If dissipation on the controller is excessive, a resistor can be placed in series with the HV pin. This will reduce power dissipation on the controller and transfer it to the series resistor.

Standby mode losses and normal mode power dissipation can be reduced by biasing the controller with an auxiliary winding. The auxiliary winding needs to maintain V<sub>CC</sub> above V<sub>CC(MIN)</sub> once the startup circuit is disabled.

The power dissipation of the controller when operated in DSS mode, P<sub>DSS</sub>, can be calculated using equation 1, where I<sub>CC3</sub> is the operating current of the NCP1219 during switching and V<sub>HV</sub> is the voltage at the HV pin. The HV pin is most often connected to the bulk capacitor.

$$P_{DSS} = I_{CC3} \cdot (V_{HV} - V_{CC}) \quad (\text{eq. 1})$$

In comparison, the power dissipation when the startup circuit is disabled and V<sub>CC</sub> is being supplied by the auxiliary winding is a function of the V<sub>CC</sub> voltage. This is shown in Equation 2.

$$P_{AUX} = I_{CC3} \cdot V_{CC} \quad (\text{eq. 2})$$

It is recommended that an external filter capacitor be placed as close as possible to the V<sub>CC</sub> pin to improve the noise immunity.

**Soft-Start Operation**

Figures 28 and 29 show how the soft-start feature is included in the pulse-width modulation (PWM) comparator. When the NCP1219 starts up, a soft-start voltage V<sub>SSTART</sub> begins at 0 V. V<sub>SSTART</sub> increases gradually from 0 V to 1.0 V in 4.8 ms and stays at 1.0 V afterward. V<sub>SSTART</sub> is compared with the divided by 3 feedback pin voltage (V<sub>FB/3</sub>). The lesser of V<sub>SSTART</sub> and (V<sub>FB/3</sub>) becomes the modulation voltage, V<sub>PWM</sub>, in the PWM duty ratio generation. Initially, (V<sub>FB/3</sub>) is above 1.0 V because the FB pin is brought to V<sub>FB(open)</sub>, typically 3.6 V, by the internal pullup resistor. As a result, V<sub>PWM</sub> is limited by the soft-start function and slowly ramps up the duty ratio (and therefore the primary current) for the initial 4.8 ms. This provides a greatly reduced stress on the power devices during startup.

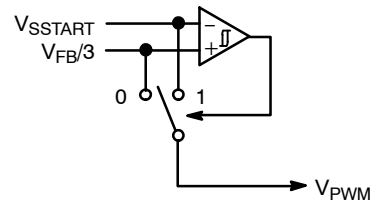


Figure 28. V<sub>PWM</sub> is the lesser of V<sub>SSTART</sub> and (V<sub>FB/3</sub>)

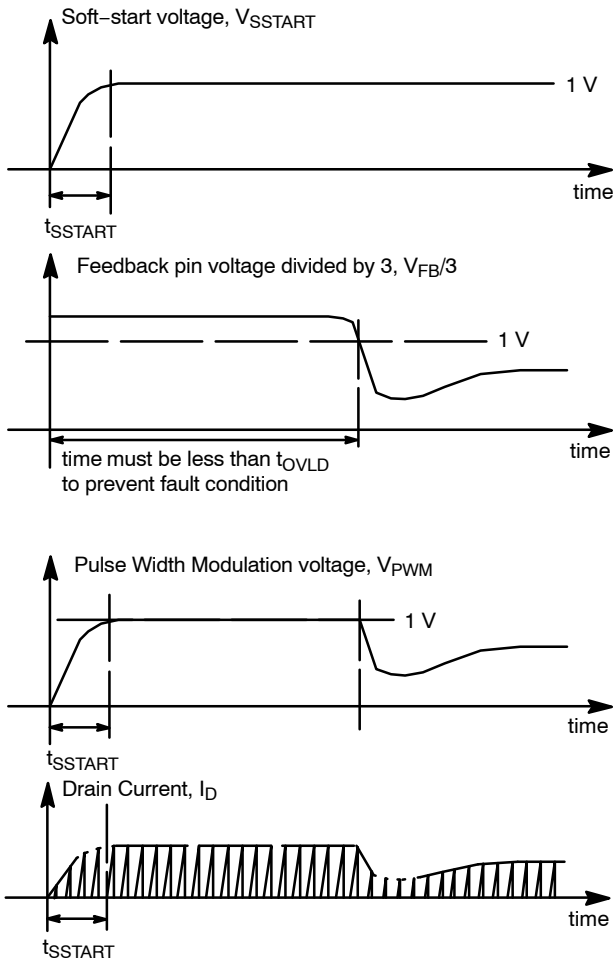


Figure 29. Soft-Start (Time = 0 at  $V_{CC} = V_{CC(on)}$ )

**Current-Mode Pulse Width Modulation**

The NCP1219 is a current-mode, fixed frequency pulse width modulation controller with ramp compensation. The PWM block of the NCP1219 is shown in Figure 30. The DRV signal is enabled by a clock pulse. At this time, current begins to flow in the power MOSFET and the sense resistor. A corresponding voltage is generated on the CS pin of the device, ranging from very low to as high as the maximum modulation voltage,  $V_{PWM}$  (maximum of 1 V). This sets the primary current on a cycle-by-cycle basis. Equation 3 gives the maximum drain current,  $I_{D(MAX)}$ , where  $R_{CS}$  is the current sense resistor value and  $V_{ILIM}$  is the current sense voltage threshold.

$$I_{D(MAX)} = \frac{V_{ILIM}}{R_{CS}} \quad (eq. 3)$$

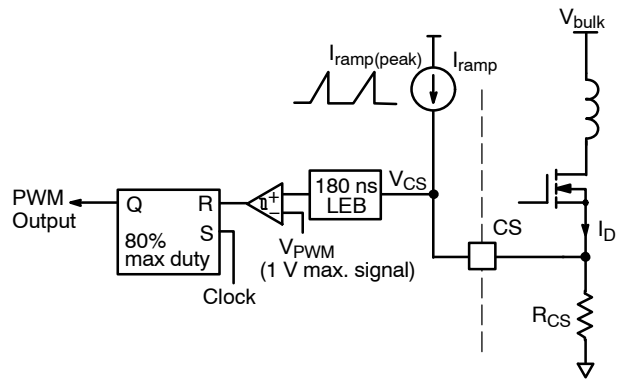


Figure 30. Current-Mode Implementation

Figure 31 shows the timing diagram for the current-mode pulse width modulation operation. An internal clock sets the output RS latch, pulling the DRV pin high. The latch is then reset when the voltage on the CS pin intersects the modulation voltage,  $V_{PWM}$ . This generates the duty ratio of the DRV pulse. The maximum duty ratio is internally limited to 80% (typical) by the output RS latch.

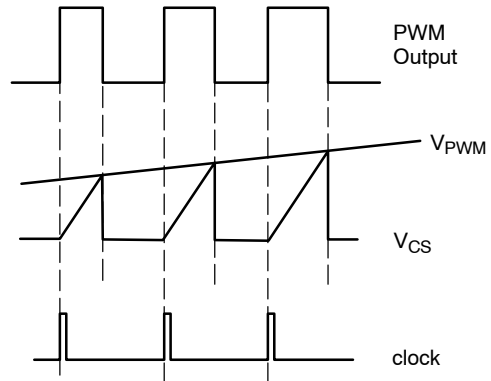


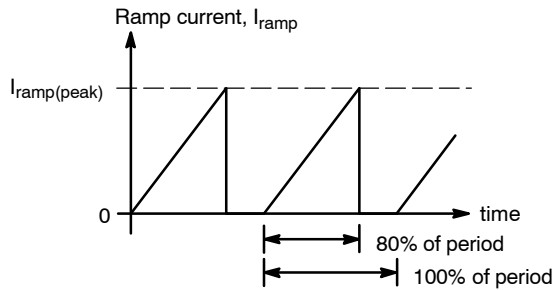
Figure 31. Current-Mode Timing Diagram

The  $V_{PWM}$  voltage is the scaled representation of the FB pin voltage. The scale factor,  $I_{ratio}$ , is 3. The FB pin voltage is provided by an external error amplifier, whose output is a function of the power supply output. An FB signal between  $V_{skip}$  and 3 V determines the duty ratio of the controller output. The FB voltage operates in a closed loop with the output voltage to regulate the power supply.

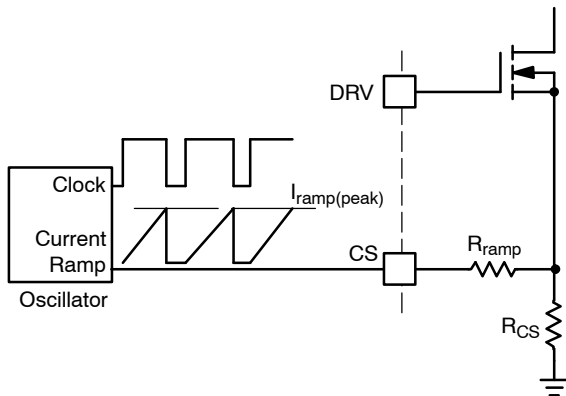
It is recommended that an external filter capacitor be placed as close to the FB pin as possible to improve the noise immunity.

**Ramp Compensation**

Ramp compensation is a known mean to cure subharmonic oscillations. These oscillations take place at half the switching frequency and occur only during continuous conduction mode (CCM) with a duty ratio greater than 50%. To lower the current loop gain, one usually injects 50 to 75% of the inductor current down slope. The NCP1219 generates an internal current ramp that is synchronized with the clock. This current ramp is then routed to the CS pin. Figures 32 and 33 depict how the ramp is generated and utilized. Ramp compensation is simply formed by placing a resistor,  $R_{ramp}$ , between the CS pin and the sense resistor.



**Figure 32. Internal Ramp Compensation Current Source**



**Figure 33. Inserting a Resistor in Series with the Current Sense Information Provides Ramp Compensation**

In order to calculate the value of the ramp compensation resistor,  $R_{ramp}$ , the off time primary current slope,  $S_{off,primary}$  must be calculated using Equation 4,

$$S_{off,primary} = \frac{(V_{out} + V_f) \cdot \left(\frac{N_p}{N_s}\right)}{L_p} \quad (eq. 4)$$

where  $V_{out}$  is the converter output voltage,  $V_f$  is the forward diode drop of the secondary diode,  $N_p/N_s$  is the primary to secondary turns ratio, and  $L_p$  is the primary inductance of the transformer. The value of  $R_{ramp}$  can be calculated using Equation 5,

$$R_{ramp} = \frac{(S_{off,primary} \times R_{CS}) \cdot \%slope}{\left(\frac{I_{ramp(peak)} \times f_{OSC}}{D}\right)} \quad (eq. 5)$$

where  $R_{CS}$  is the current sense resistor and  $\%slope$  is the percentage of the current downslope to be used for ramp compensation.

The NCP1219 has a peak ramp compensation current of 100  $\mu A$ . A frequency of 65 kHz with an 80% maximum duty ratio corresponds to an 8.1  $\mu A/\mu s$  ramp. For a typical flyback design, let's assume that the primary inductance is 350  $\mu H$ , the converter output is 19 V, the  $V_f$  of the output diode is 1 V and the  $N_p:N_s$  ratio is 10:1. The off time primary current slope is given by Equation 6.

$$\frac{(V_{out} + V_f) \left(\frac{N_p}{N_s}\right)}{L_p} = 571 \frac{mA}{\mu s} \quad (eq. 6)$$

When projected over an  $R_{CS}$  of 0.1  $\Omega$  (for example), this becomes 57 mV/ $\mu s$ . If we select 50% of the downslope as the required amount of ramp compensation, then we shall inject 28.5 mV/ $\mu s$ . Therefore,  $R_{ramp}$  is simply equal to Equation 7.

$$R_{ramp} = \frac{28.5 \frac{mV}{\mu s}}{8.1 \frac{\mu A}{\mu s}} = 3.5 k\Omega \quad (eq. 7)$$

Ramp compensation greater than 50% of the inductor down slope can be used if necessary; however, overcompensating will degrade the transient response of the system. The addition of ramp compensation also reduces the total available output power of the system.

**Internal Oscillator**

The internal oscillator of the NCP1219 provides the clock signal that sets the DRV signal high and limits the duty ratio to 80% (typical). The oscillator has a fixed frequency of 65 kHz or 100 kHz. The NCP1219 employs frequency jittering to smooth the EMI signature of the system by spreading the energy of the main switching component across a range of frequencies. An internal low frequency oscillator continuously varies the switching frequency of the controller by  $\pm 7.5\%$ . The period of modulation is 6 ms, typical. Figure 34 illustrates the oscillator frequency modulation.

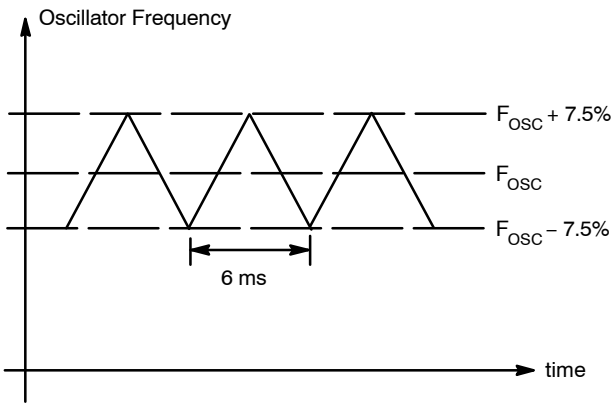


Figure 34. Oscillator Frequency Modulation

**Gate Drive**

The output drive of the NCP1219 is designed to directly drive the gate of an n-channel power MOSFET. The DRV pin is capable of sourcing 500 mA and sinking 800 mA of drive current. It has typical rise and fall times of 30 ns and 20 ns, respectively, driving a 1 nF capacitive load.

The power dissipation of the output stage while driving the capacitance of the power MOSFET must be considered when calculating the NCP1219 power dissipation. The driver power dissipation can be calculated using Equation 8,

$$P_{DRV} = f_{OSC} \cdot Q_G \cdot V_{CC} \quad (\text{eq. 8})$$

where  $Q_G$  is the gate charge of the power MOSFET.

**External Latch Input**

Board level protection functionality is often incorporated using external circuits to suit a specific application. An external fault condition can be used to disable the controller by bringing the voltage on the Skip/latch pin above the latch threshold,  $V_{latch}$  (3.9 V typical). When an external fault condition is detected, the DRV signal is stopped, and the controller enters low current operation mode. The external capacitor  $C_{CC}$  discharges and  $V_{CC}$  drops until  $V_{CC(hiccup)}$  is reached. The high voltage startup circuit turns on and  $I_{start}$  charges  $C_{CC}$  until  $V_{CC(on)}$  is reached.  $V_{CC}$  cycles between  $V_{CC(on)}$  and  $V_{CC(hiccup)}$  until  $V_{CC}$  reaches  $V_{CC(reset)}$ . Voltage must be removed from the HV pin, disabling the startup current and allowing  $C_{CC}$  to discharge to  $V_{CC(reset)}$ . Therefore, the controller is reset by unplugging the power supply from the wall to allow  $V_{bulk}$  to discharge. Figure 35 illustrates the timing diagram of  $V_{CC}$  in the latch-off condition.

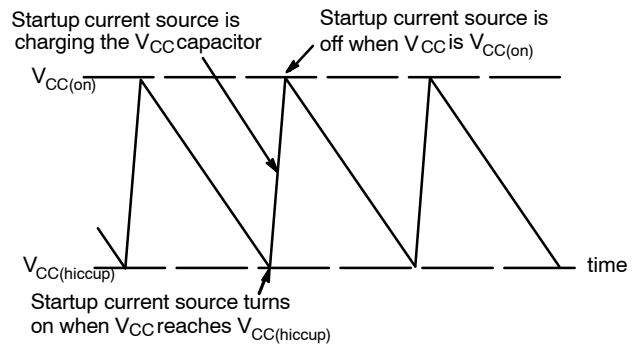


Figure 35. Latch-off  $V_{CC}$  Timing Diagram

The external latch feature allows the circuit designers to implement different kinds of latching protection. Figure 36 shows an example circuit in which a bipolar transistor is used to pull the Skip/latch pin above the latch threshold. The  $R_{LIM}$  value is chosen to prevent the Skip/latch pin from exceeding the maximum rated voltage. The NCP1219 applications note (AND8393/D) details several simple circuits to implement overtemperature protection (OTP) and overvoltage protection (OVP).

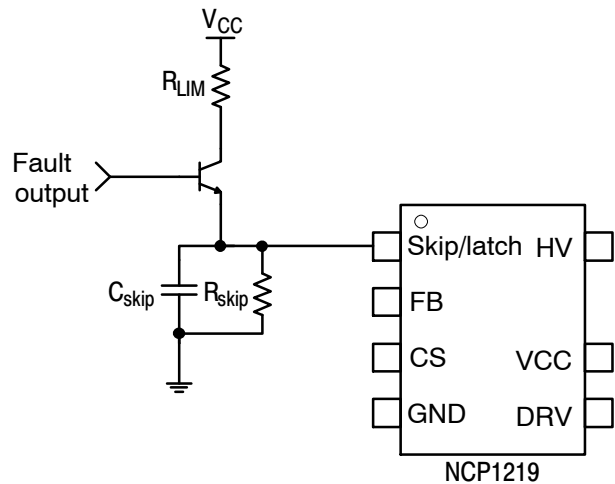


Figure 36. Circuit Example of an External Latch-off Circuit

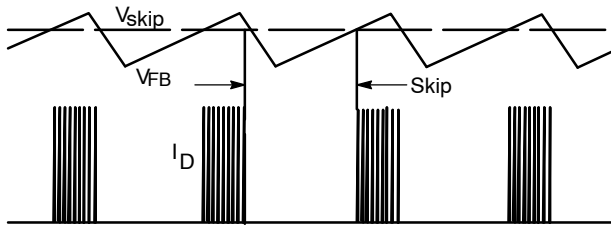
An internal blanking filter prevents fast voltage spikes caused by noise from latching the part. However, it is recommended that an external filter capacitor be placed as close as possible to the Skip/latch pin to further improve the noise immunity.



**Skip Cycle Operation**

During standby or light load operation the duty ratio on the controller becomes very small. At this point, a significant portion of the power dissipation is related to the power MOSFET switching on and off. To reduce this power dissipation, the NCP1219 “skips” pulses when the FB level drops below the skip threshold. The level at which this occurs is completely adjustable by setting a resistor on the Skip/latch pin.

By discontinuing pulses, the output voltage slowly drops and the FB voltage rises. When the FB voltage rises above the  $V_{skip}$  level, DRV is turned back on. This feature produces the timing diagram shown in Figure 37.

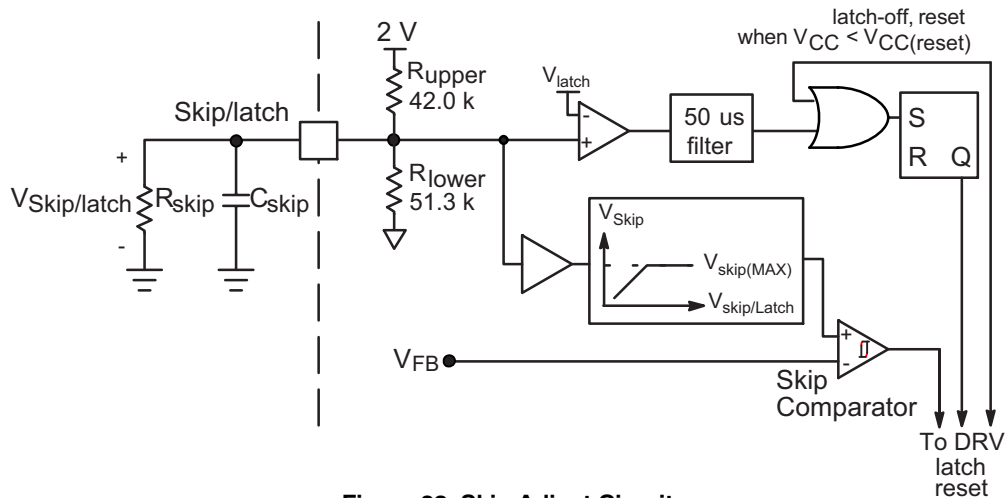


**Figure 37. Skip Operation**

Skip peak current,  $\%I_{CSSKIP}$  is the percentage of the maximum peak current at which the controller enters skip mode.  $\%I_{CSSKIP}$  can be any value from 0 to 43% as defined by Equation 9. However, the higher  $\%I_{CSSKIP}$  is, the greater the drain current when skip is entered. This increases acoustic noise. Conversely, the lower  $\%I_{CSSKIP}$  is, the larger the percentage of energy is expended turning the switch on and off. Therefore, it is important to adjust  $\%I_{CSSKIP}$  to the optimal level for a given application.

$$\%I_{CSSKIP} = \frac{V_{skip}}{3V} \cdot 100 \quad (\text{eq. 9})$$

Figure 38 shows the details of the Skip/latch pin circuitry. The voltage on the Skip/latch pin determines the voltage required on the FB pin to place the controller into skip mode. If the pin is left open, the default skip threshold is 1.1 V. This corresponds to a 37%  $\%I_{CSSKIP}$  ( $\%I_{CSSKIP} = 1.1 \text{ V} / 3.0 \text{ V} * 100\% = 37\%$ ). Therefore, the controller will enter skip mode when the peak current is less than 37% of the maximum peak current.



**Figure 38. Skip Adjust Circuit**

The skip level is reduced by placing an external resistor,  $R_{skip}$ , between the Skip/latch and GND pins. Figure 39 summarizes the operating voltage regions of the Skip/latch pin.

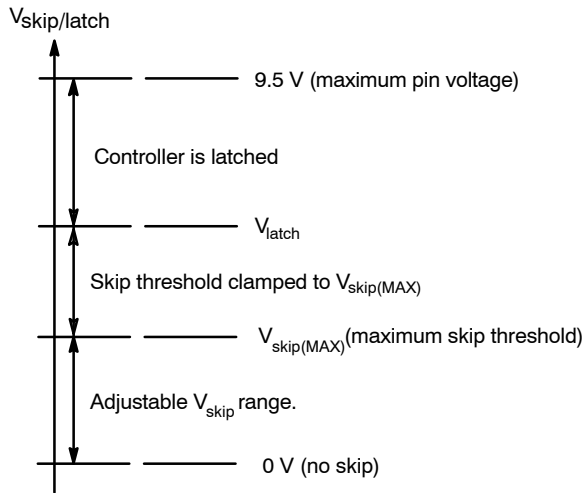


Figure 39. NCP1219 VSkip/latch Pin Operating Regions

Within the adjustable  $V_{skip}$  range, the skip level changes according to Equation 10.

$$V_{skip} = \frac{2 V \cdot (R_{lower} \parallel R_{skip})}{(R_{lower} \parallel R_{skip}) + R_{upper}} \quad (\text{eq. 10})$$

An internal clamp limits the skip threshold ( $V_{skip(MAX)}$ ) to 1.3 V. Increasing the voltage on the Skip/latch pin beyond the value of the internal clamp will induce no further change in the skip level. This prevents the act of disabling the controller in the presence of an external latch event from causing it to enter skip mode. The relationship between  $\%I_{CSSkip}$ ,  $V_{Skip/latch}$ ,  $V_{skip}$ , and  $R_{skip}$  is summarized in Table 4.

Table 4.  $\%I_{CSSkip}$  and Skip Threshold Relationship with  $R_{skip}$

$\%I_{CSSkip}$	$V_{Skip/latch}$	$V_{skip}$	$R_{skip}$	Comment
0%	0 V	0 V	0 $\Omega$	Never skips
12%	0.36 V	0.36 V	11.8 k $\Omega$	–
25%	0.75 V	0.75 V	52.3 k $\Omega$	–
37%	1.10 V	1.10 V	Open	Default Skip Threshold
43%	2.00 V	1.30 V	–	No further increase in Skip threshold
43%	3.00 V	1.30 V	–	No further increase in Skip threshold

**External Non-Latched Shutdown**

Figure 40 summarizes the operating regions of the FB pin. An external non-latched shutdown can be easily implemented by simply pulling FB below the skip level. This is an inherent feature of the standby skip operation, allowing additional flexibility in the SMPS design.

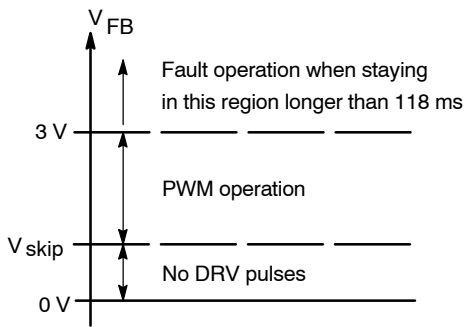


Figure 40. NCP1219 Operation Threshold

Figure 41 shows an example implementation of a non-latched shutdown circuit using a bipolar transistor to pull the FB pin low.

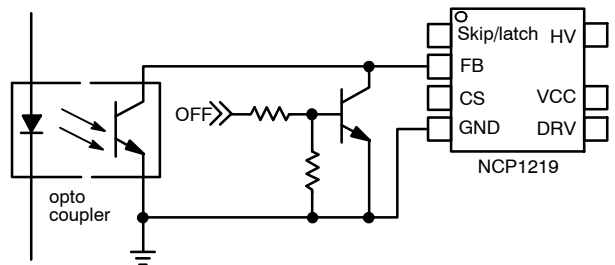


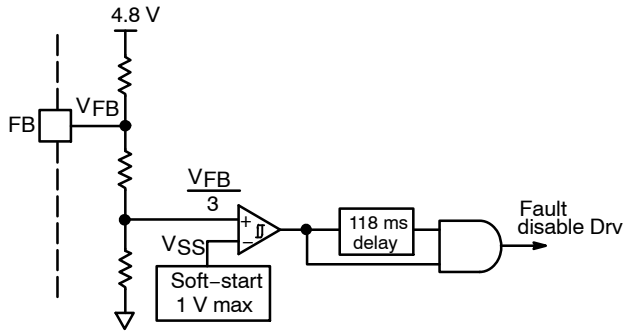
Figure 41. Example Circuit for Non-Latched Shutdown

**Overload Protection**

Figure 42 details the timer based fault detection circuitry. When an overload (or short circuit) event occurs, the output voltage collapses and the optocoupler does not conduct current. This opens the FB pin and  $V_{FB}$  is internally pulled higher than 3.0 V. Since  $V_{FB}/3$  is greater than 1 V, the controller activates an error flag and starts a timer,  $t_{OVLd}$  (118 ms typical). If the output recovers during this time, the timer is reset and the device continues to operate normally.

## NCP1219

However, if the fault lasts for more than 118 ms, then the driver turns off and the device enters the  $V_{CC}$  double hiccup mode described earlier.



**Figure 42. Block Diagram of Timer-Based Fault Detection**

The NCP1219 also has an internal temperature shutdown circuit. If the junction temperature of the controller reaches 155°C (typical), the driver turns off and the controller enters double hiccup mode.

### Latched and Auto-Retry Options

The NCP1219A offers a latched fault circuitry. An overload fault condition detected by the controller results in a latch-off shutdown, requiring the controller to be reset by cycling  $V_{CC}$  (removing the ac line input). NCP1219B provides an auto-retry circuit. All fault conditions except the external latch fault result in the controller entering double hiccup mode, attempting to restart the controller every other  $V_{CC}$  cycle, as mentioned earlier.

**Table 5. ORDERING INFORMATION**

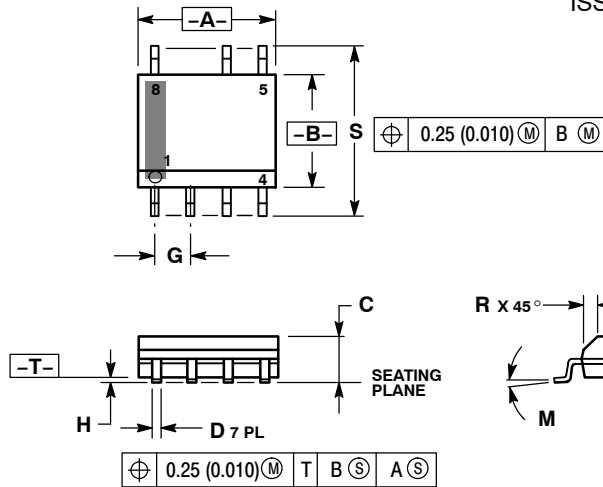
Device	Overcurrent	Frequency	Package	Shipping <sup>†</sup>
NCP1219AD65R2G	Latch	65 kHz	SOIC-7 (Pb-Free)	2500 / Tape & Reel
NCP1219BD65R2G	Auto-Recovery	65 kHz		
NCP1219AD100R2G	Latch	100 kHz		
NCP1219BD100R2G	Auto-Recovery	100 kHz		

<sup>†</sup>For information on tape and reel specifications, including part orientation and tape sizes, please refer to our Tape and Reel Packaging Specifications Brochure, BRD8011/D.

# NCP1219

## PACKAGE DIMENSIONS

SOIC-7  
CASE 751U-01  
ISSUE D



### NOTES:

1. DIMENSIONING AND TOLERANCING PER ANSI Y14.5M, 1982.
2. CONTROLLING DIMENSION: MILLIMETER.
3. DIMENSION A AND B ARE DATUMS AND T IS A DATUM SURFACE.
4. DIMENSION A AND B DO NOT INCLUDE MOLD PROTRUSION.
5. MAXIMUM MOLD PROTRUSION 0.15 (0.006) PER SIDE.

DIM	MILLIMETERS		INCHES	
	MIN	MAX	MIN	MAX
A	4.80	5.00	0.189	0.197
B	3.80	4.00	0.150	0.157
C	1.35	1.75	0.053	0.069
D	0.33	0.51	0.013	0.020
G	1.27 BSC		0.050 BSC	
H	0.10	0.25	0.004	0.010
J	0.19	0.25	0.007	0.010
K	0.40	1.27	0.016	0.050
M	0°	8°	0°	8°
N	0.25	0.50	0.010	0.020
S	5.80	6.20	0.228	0.244

The products described herein (NCP1219) may be covered by one or more of the following U.S. patents: 6,271,735, 6,362,067, 6,385,060, 6,597,221, 6,633,193, 6,587,351, 6,940,320. There may be other patents pending.

ON Semiconductor and are registered trademarks of Semiconductor Components Industries, LLC (SCILLC). SCILLC reserves the right to make changes without further notice to any products herein. SCILLC makes no warranty, representation or guarantee regarding the suitability of its products for any particular purpose, nor does SCILLC assume any liability arising out of the application or use of any product or circuit, and specifically disclaims any and all liability, including without limitation special, consequential or incidental damages. "Typical" parameters which may be provided in SCILLC data sheets and/or specifications can and do vary in different applications and actual performance may vary over time. All operating parameters, including "Typicals" must be validated for each customer application by customer's technical experts. SCILLC does not convey any license under its patent rights nor the rights of others. SCILLC products are not designed, intended, or authorized for use as components in systems intended for surgical implant into the body, or other applications intended to support or sustain life, or for any other application in which the failure of the SCILLC product could create a situation where personal injury or death may occur. Should Buyer purchase or use SCILLC products for any such unintended or unauthorized application, Buyer shall indemnify and hold SCILLC and its officers, employees, subsidiaries, affiliates, and distributors harmless against all claims, costs, damages, and expenses, and reasonable attorney fees arising out of, directly or indirectly, any claim of personal injury or death associated with such unintended or unauthorized use, even if such claim alleges that SCILLC was negligent regarding the design or manufacture of the part. SCILLC is an Equal Opportunity/Affirmative Action Employer. This literature is subject to all applicable copyright laws and is not for resale in any manner.

### PUBLICATION ORDERING INFORMATION

**LITERATURE FULFILLMENT:**  
Literature Distribution Center for ON Semiconductor  
P.O. Box 5163, Denver, Colorado 80217 USA  
**Phone:** 303-675-2175 or 800-344-3860 Toll Free USA/Canada  
**Fax:** 303-675-2176 or 800-344-3867 Toll Free USA/Canada  
**Email:** orderlit@onsemi.com

**N. American Technical Support:** 800-282-9855 Toll Free  
USA/Canada  
**Europe, Middle East and Africa Technical Support:**  
Phone: 421 33 790 2910  
**Japan Customer Focus Center**  
Phone: 81-3-5773-3850

**ON Semiconductor Website:** [www.onsemi.com](http://www.onsemi.com)  
**Order Literature:** <http://www.onsemi.com/orderlit>

For additional information, please contact your local Sales Representative



Компания «ЭлектроПласт» предлагает заключение долгосрочных отношений при поставках импортных электронных компонентов на взаимовыгодных условиях!

Наши преимущества:

- Оперативные поставки широкого спектра электронных компонентов отечественного и импортного производства напрямую от производителей и с крупнейших мировых складов;
- Поставка более 17-ти миллионов наименований электронных компонентов;
- Поставка сложных, дефицитных, либо снятых с производства позиций;
- Оперативные сроки поставки под заказ (от 5 рабочих дней);
- Экспресс доставка в любую точку России;
- Техническая поддержка проекта, помощь в подборе аналогов, поставка прототипов;
- Система менеджмента качества сертифицирована по Международному стандарту ISO 9001;
- Лицензия ФСБ на осуществление работ с использованием сведений, составляющих государственную тайну;
- Поставка специализированных компонентов (Xilinx, Altera, Analog Devices, Intersil, Interpoint, Microsemi, Aeroflex, Peregrine, Syfer, Eurofarad, Texas Instrument, Miteq, Cobham, E2V, MA-COM, Hittite, Mini-Circuits, General Dynamics и др.);

Помимо этого, одним из направлений компании «ЭлектроПласт» является направление «Источники питания». Мы предлагаем Вам помощь Конструкторского отдела:

- Подбор оптимального решения, техническое обоснование при выборе компонента;
- Подбор аналогов;
- Консультации по применению компонента;
- Поставка образцов и прототипов;
- Техническая поддержка проекта;
- Защита от снятия компонента с производства.



#### Как с нами связаться

**Телефон:** 8 (812) 309 58 32 (многоканальный)

**Факс:** 8 (812) 320-02-42

**Электронная почта:** [org@eplast1.ru](mailto:org@eplast1.ru)

**Адрес:** 198099, г. Санкт-Петербург, ул. Калинина, дом 2, корпус 4, литера А.