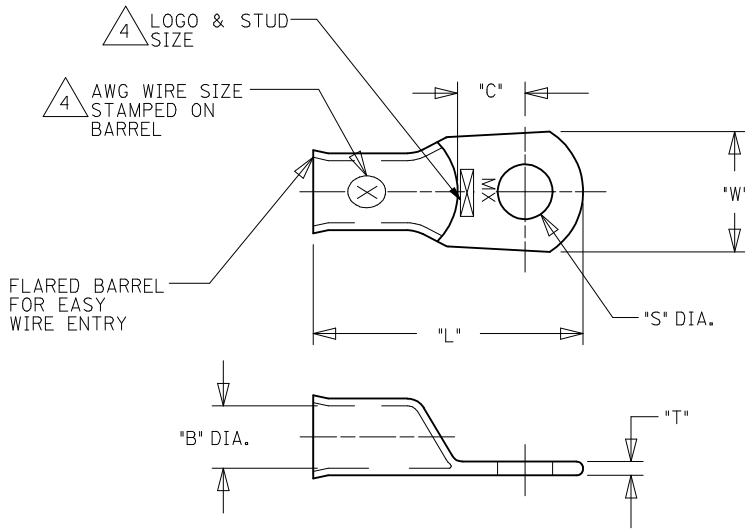


| 13 | 12 | 11 | 10 | 9 | 8 | 7 | 6 | 5 | 4 | 3 | 2 | 1 |
|--------------------------|----------------------|------------------------|---------------------------|--------------------|----------------|---------------------|---------------------|---------------------|---------------------|---------------------|---------------------|-------------|
| UNPLATED MATERIAL NUMBER | UNPLATED ENG. NUMBER | PLATED MATERIAL NUMBER | PLATED ENGINEERING NUMBER | STUD SIZE | AWG WIRE RANGE | "S" ±.015/(0.38) | "L" ±.100/(2.54) | "W" ±.035/(0.89) | "C" ±.050/(1.27) | "B" ±.020/(0.51) | "T" ±.020/(0.50) | |
| J | 1922 10423 | BCL-1014 | 1922 10422 | BCL-1014-PL | 1/4/(6.4) | 1/0 | .278/(7.06) | 1.844/(46.84) | .728/(18.49) | .460/(11.68) | .400/(10.16) | .110/(2.80) |
| | 1922 10394 | BCL-10516 | 1922 10240 | BCL-10516-PL | 5/16/(7.9) | 1/0 | .340/(8.64) | 1.844/(46.84) | .728/(18.49) | .460/(11.68) | .400/(10.16) | .110/(2.80) |
| | 1922 10377 | BCL-1038 | 1922 10241 | BCL-1038-PL | 3/8/(9.5) | 1/0 | .400/(10.16) | 1.844/(46.84) | .728/(18.49) | .460/(11.68) | .400/(10.16) | .110/(2.80) |
| | 1922 10441 | BCL-1038-WP | 1922 10440 | BCL-1038-WP-PL | 3/8/(9.5) | 1/0 | .400/(10.16) | 1.906/(48.41) | .813/(20.65) | .442/(11.23) | .400/(10.16) | .110/(2.80) |
| | 1922 10393 | BCL-1012 | 1922 10242 | BCL-1012-PL | 1/2/(12.7) | 1/0 | .520/(13.21) | 1.844/(46.84) | .728/(18.49) | .460/(11.68) | .400/(10.16) | .110/(2.80) |
| | 1922 10437 | BCL-1012-WP | 1922 10436 | BCL-1012-WP-PL | 1/2/(12.7) | 1/0 | .520/(13.21) | 1.906/(48.41) | .813/(20.65) | .442/(11.23) | .400/(10.16) | .110/(2.80) |
| I | 1922 10249 | BCL-2014 | 1922 10234 | BCL-2014-PL | 1/4/(6.4) | 2/0 | .278/(7.06) | 2.062/(52.37) | .824/(20.93) | .522/(13.26) | .461/(11.71) | .110/(2.80) |
| | 1922 10398 | BCL-20516 | 1922 10243 | BCL-20516-PL | 5/16/(7.9) | 2/0 | .340/(8.64) | 2.062/(52.37) | .824/(20.93) | .522/(13.26) | .461/(11.71) | .110/(2.80) |
| | 1922 10379 | BCL-2038 | 1922 10244 | BCL-2038-PL | 3/8/(9.5) | 2/0 | .400/(10.16) | 2.062/(52.37) | .824/(20.93) | .522/(13.26) | .461/(11.71) | .110/(2.80) |
| | 1922 10397 | BCL-2012 | 1922 10245 | BCL-2012-PL | 1/2/(12.7) | 2/0 | .520/(13.21) | 2.062/(52.37) | .824/(20.93) | .522/(13.26) | .461/(11.71) | .110/(2.80) |
| | 1922 10597 | BCL-2058 | 1922 10598 | BCL-2058-PL | 5/8/(15.9) | 2/0 | .656/(16.66) | 2.062/(52.37) | .824/(20.93) | .522/(13.26) | .461/(11.71) | .110/(2.80) |
| | 1922 10478 | BCL-3014 | 1922 10570 | BCL-3014-PL | 1/4/(6.4) | 3/0 | .278/(7.06) | 2.156/(54.76) | .916/(23.27) | .501/(12.73) | .511/(12.93) | .115/(2.92) |
| | 1922 10402 | BCL-30516 | 1922 10246 | BCL-30516-PL | 5/16/(7.9) | 3/0 | .340/(8.64) | 2.156/(54.76) | .916/(23.27) | .501/(12.73) | .511/(12.93) | .115/(2.92) |
| H | 1922 10381 | BCL-3038 | 1922 10247 | BCL-3038-PL | 3/8/(9.5) | 3/0 | .400/(10.16) | 2.156/(54.76) | .916/(23.27) | .501/(12.73) | .511/(12.93) | .115/(2.92) |
| | 1922 10401 | BCL-3012 | 1922 10248 | BCL-3012-PL | 1/2/(12.7) | 3/0 | .520/(13.21) | 2.156/(54.76) | .916/(23.27) | .501/(12.73) | .511/(12.93) | .115/(2.92) |
| | 1922 10502 | BCL-40516(.625) | 1922 10503 | BCL-40516-PL(.625) | 5/16/(7.9) | 4/0 | .340/(8.63) | 2.688/(68.28) | 1.099/(27.91) | .557/(14.15) | .625/(15.88) | .135/(3.43) |
| | 1922 10374 | BCL-4038(.625) | 1922 10371 | BCL-4038-PL(.625) | 3/8/(9.5) | 4/0 | .400/(10.16) | 2.688/(68.28) | 1.099/(27.91) | .557/(14.15) | .625/(15.88) | .135/(3.43) |
| | 1922 10375 | BCL-4012(.625) | 1922 10372 | BCL-4012-PL(.625) | 1/2/(12.7) | 4/0 | .520/(13.21) | 2.688/(68.28) | 1.099/(27.91) | .557/(14.15) | .625/(15.88) | .135/(3.43) |
| | 1922 10376 | BCL-4058(.625) | 1922 10373 | BCL-4058-PL(.625) | 5/8 (15.9) | 4/0 | .656/(16.66) | 2.688/(68.28) | 1.099/(27.91) | .557/(14.15) | .625/(15.88) | .135/(3.43) |
| G | 1922 10413 | BCL-40516 | 1922 10412 | BCL-40516-PL | 5/16/(7.9) | 4/0 | .340/(8.63) | 2.344/(59.54) | .999/(25.37) | .550/(13.97) | .559/(14.20) | .135/(3.43) |
| | 1922 10382 | BCL-4038 | 1922 10250 | BCL-4038-PL | 3/8/(9.5) | 4/0 | .400/(10.16) | 2.344/(59.54) | .999/(25.37) | .550/(13.97) | .559/(14.20) | .135/(3.43) |
| | 1922 10403 | BCL-4012 | 1922 10251 | BCL-4012-PL | 1/2/(12.7) | 4/0 | .520/(13.21) | 2.344/(59.54) | .999/(25.37) | .550/(13.97) | .559/(14.20) | .135/(3.43) |
| | 1922 10446 | BCL-25038 | 1922 10447 | BCL-25038-PL | 3/8/(9.5) | 250 | .400/(10.16) | 2.656/(67.46) | 1.203/(30.56) | .676/(17.17) | .685/(17.40) | .125/(3.18) |
| | 192210652 | BCL-4014 | 192210648 | BCL-4014-PL | 1/4/(6.4) | 4/0 | .278/(7.061) | 2.344/(59.54) | .984/(24.99) | .550/(13.97) | .559/(13.97) | .135/(3.43) |
| | - | - | 192210847 | BCL-1010MM-PL | 10mm | 1/0 | .417/(10.59) | 1.844/(46.84) | .728/(18.49) | .460/(11.86) | .400/(10.16) | .110/(2.80) |
| | - | - | 192210848 | BCL-2010MM-PL | 10mm | 2/0 | .417/(10.59) | 2.062/(52.37) | .824/(20.93) | .522/(13.26) | .461/(11.71) | .110/(2.80) |
| F | - | - | 192210862 | BCL-3010MM-PL | 10mm | 3/0 | .417/(10.59) | 2.156/(54.76) | .916/(23.273) | .501/(12.73) | .511/(12.93) | .115/(2.92) |



SALES DRAWING

NOTES:

- FOR INSPECTION SIGHT HOLE, PLEASE CONSULT FACTORY.
- OTHER STUD SIZES MAY BE AVAILABLE, PLEASE CONSULT FACTORY.
- MATERIAL: COPPER
PLATING: TIN
- MARKINGS CAN BE AT EITHER LOCATION SHOWN.
- IF TONGUE IS TO BE BENT AT ANY ANGLE, IT MUST BE BENT AROUND A RADIUS ONE HALF THE TONGUE THICKNESS.
- USE .625/(15.88) BARREL I.D. FOR HIGH STRAND WELDING CABLE.

| | | | | | | | | | | |
|---|-------------------------------|--|------|--------------------------|--------------------|--|---------------------------|------------------------|------------------------------|--|
| ADD MATL #. BCL-4058(.625) EC NO: IPGZ2016-0026 DRWINGRO JASO1 2015/07/06 CHKD: JACNEIL 2015/07/06 APPR: JACNEIL 2015/07/13 | QUALITY SYMBOLS ▽=0 ▽=0 | GENERAL TOLERANCES (UNLESS SPECIFIED) | | DIMENSION STYLE IN/MM | | SCALE -- | DESIGN UNITS INCH | THIRD ANGLE PROJECTION | | |
| | | mm | INCH | DRAWN BY BRE | DATE 2002/06/24 | BATTERY CABLE LUG COPPER TERMINALS 1/0, 2/0, 3/0 & 4/0 | | | | |
| | | 4 PLACES ±--- | ±--- | CHECKED BY HEB | DATE 2002/06/24 | | | | | |
| | | DRAFT WHERE APPLICABLE MUST REMAIN WITHIN DIMENSIONS | | APPROVED BY RWD | | DATE 2002/06/24 | MATERIAL NO. SEE CHART | | DOCUMENT NO. SD-19221-011 | |

THIS DRAWING CONTAINS INFORMATION THAT IS PROPRIETARY TO MOLEX INCORPORATED AND SHOULD NOT BE USED WITHOUT WRITTEN PERMISSION



Компания «ЭлектроПласт» предлагает заключение долгосрочных отношений при поставках импортных электронных компонентов на взаимовыгодных условиях!

Наши преимущества:

- Оперативные поставки широкого спектра электронных компонентов отечественного и импортного производства напрямую от производителей и с крупнейших мировых складов;
- Поставка более 17-ти миллионов наименований электронных компонентов;
- Поставка сложных, дефицитных, либо снятых с производства позиций;
- Оперативные сроки поставки под заказ (от 5 рабочих дней);
- Экспресс доставка в любую точку России;
- Техническая поддержка проекта, помощь в подборе аналогов, поставка прототипов;
- Система менеджмента качества сертифицирована по Международному стандарту ISO 9001;
- Лицензия ФСБ на осуществление работ с использованием сведений, составляющих государственную тайну;
- Поставка специализированных компонентов (Xilinx, Altera, Analog Devices, Intersil, Interpoint, Microsemi, Aeroflex, Peregrine, Syfer, Eurofarad, Texas Instrument, Miteq, Cobham, E2V, MA-COM, Hittite, Mini-Circuits, General Dynamics и др.);

Помимо этого, одним из направлений компании «ЭлектроПласт» является направление «Источники питания». Мы предлагаем Вам помощь Конструкторского отдела:

- Подбор оптимального решения, техническое обоснование при выборе компонента;
- Подбор аналогов;
- Консультации по применению компонента;
- Поставка образцов и прототипов;
- Техническая поддержка проекта;
- Защита от снятия компонента с производства.



Как с нами связаться

Телефон: 8 (812) 309 58 32 (многоканальный)

Факс: 8 (812) 320-02-42

Электронная почта: org@eplast1.ru

Адрес: 198099, г. Санкт-Петербург, ул. Калинина, дом 2, корпус 4, литера А.