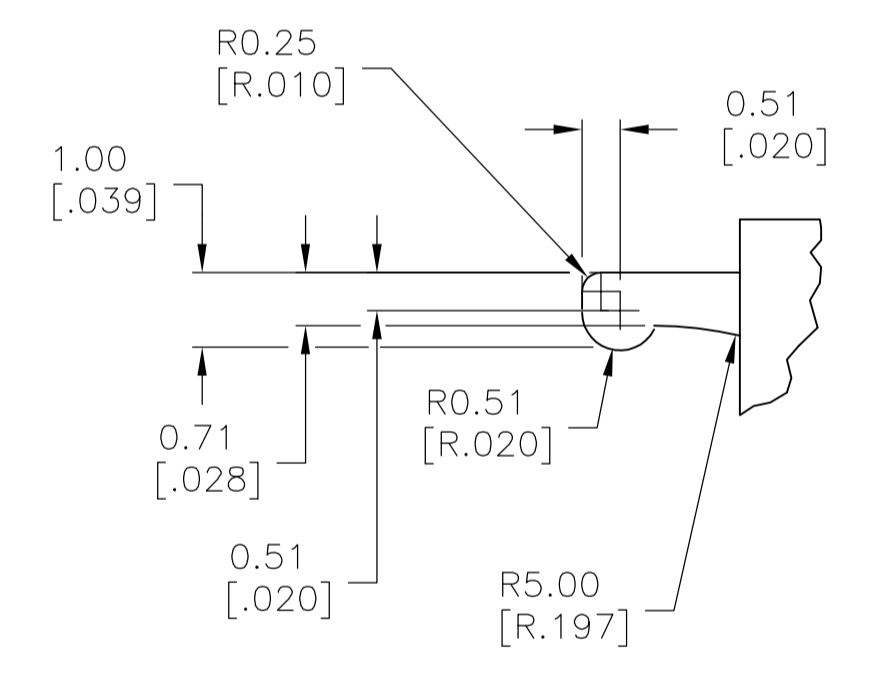
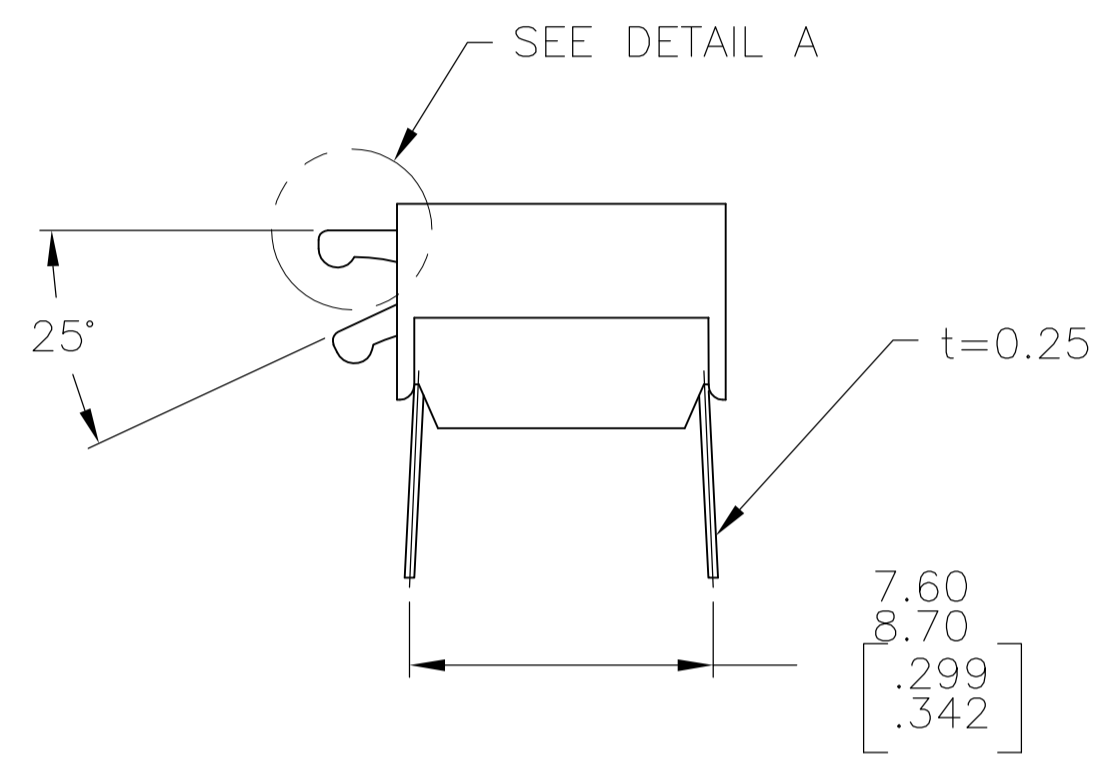
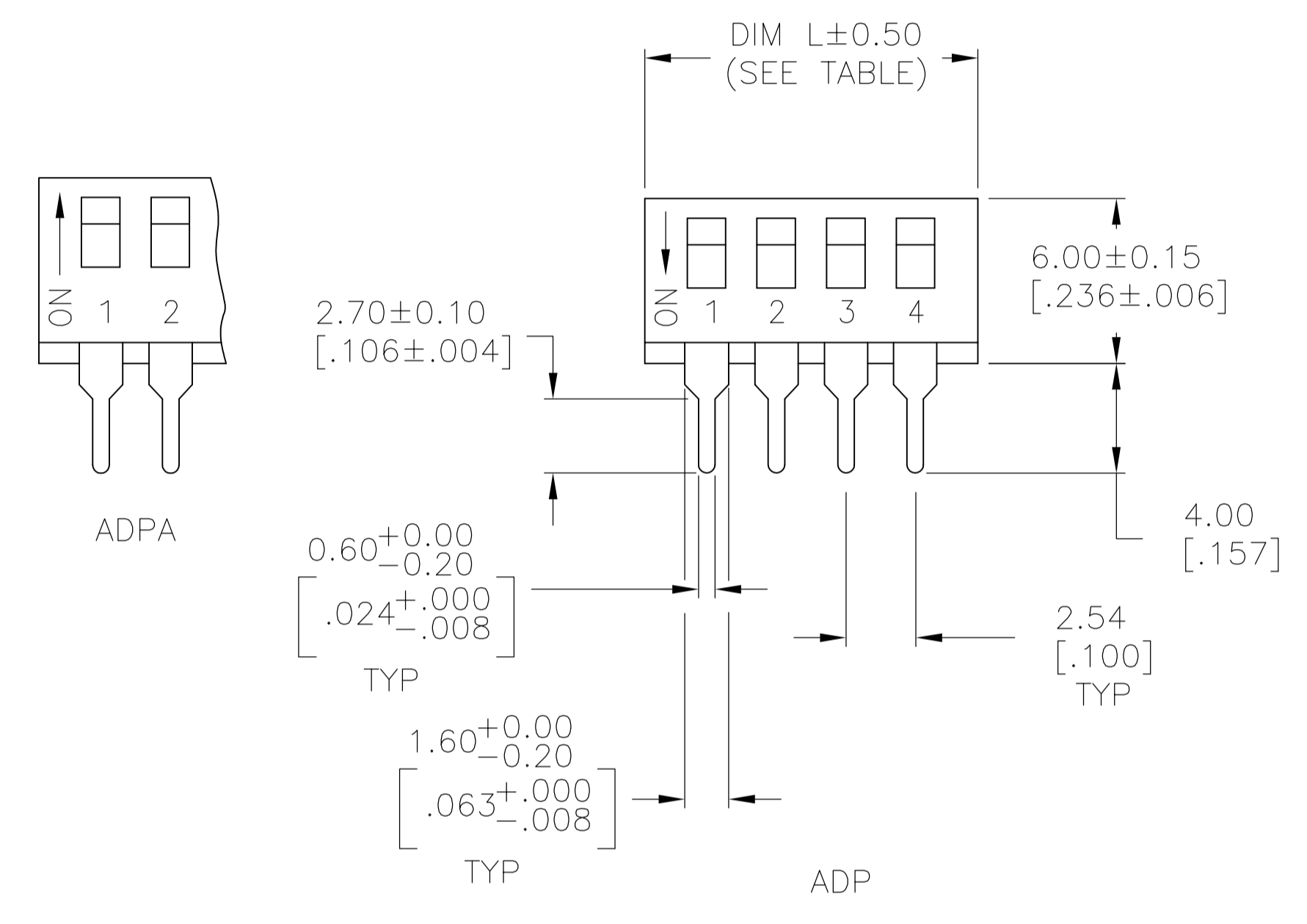


| REVISIONS |     |                           |           |       |
|-----------|-----|---------------------------|-----------|-------|
| P         | LTR | DESCRIPTION               | DATE      | BY    |
| D6        |     | REVISED PER ECR-17-009987 | 22JUL2017 | SK AS |



RECOMMENDED HOLE LAYOUT



DETAIL A SCALE: 10:1

SPECIFICATIONS:

**MATERIAL:**  
CASE: PPS 94V-0, BLACK  
COVER: PPS 94V-0, BLACK  
ACTUATOR: NYLON PA6T 94V-0, WHITE  
MOVING CONTACT: COPPER ALLOY, GOLD OVER NICKEL PLATE.  
FIXED CONTACT/TERMINAL: COPPER ALLOY, GOLD OVER NICKEL PLATE.

**ELECTRICAL:**  
CONTACT RATING: MAX RATING (SWITCHING) 100 MILLIAMPS @ 24V DC, MIN (SWITCHING) 0.10 MICROAMPS @1 MILLIVOLT, MAX (NON-SWITCHING) 1 AMP @ 5V DC INITIAL CONTACT RESISTANCE: 50 MILLIOHMS MAX. INSULATION RESISTANCE: 100 MEGOHMS MIN. @ 100 VDC. DIELECTRIC STRENGTH: 500 VAC. LIFE EXPECTANCY: 1000 CYCLES MIN.

**MECHANICAL:**  
ACTUATION FORCE: 800g MAX.

**ENVIRONMENTAL:**  
OPERATING TEMPERATURE: -22°F TO +185°F (-30°C TO +85°C). STORAGE TEMPERATURE: -49°F TO +212°F (-45°C TO +100°C). SOLDER HEAT RESISTANCE TO 265±3°C FOR 8±2 SECONDS. SOLDERABILITY PER JIS C 0050 & JIS C 0053

- CONTACT PRESSURE: 280,000 PSI.
  - CLEANING: AQUEOUS SOLUTION OR SOLVENT.
  - PACKAGING OPTIONS- CLEAR TUBES OR TAPE AND REEL PER EIA-481 SWITCH SUPPLIED IN THE "OFF" POSITION UNLESS "ON" IS SPECIFIED IN THE ALCO PART NUMBER (SEE PART NUMBER TABLE FOR ALL OPTIONS)
  - TOP & FRONT SURFACES TO BE CLEARLY MARKED AS SHOWN.
  - SWITCHES TO BE BLACK WITH WHITE ACTUATORS AND MARKINGS.
  - ALL MATERIAL AND FINISHES SHALL COMPLY WITH EU DIRECTIVE 2002/95/EC OF 27JAN2003 (ROHS)
- △ OBSOLETE PARTS: OBSOLETE CIS STREAMLINING PER D.RENAUD/D.SINISI

SEE SHEET 2 FOR SURFACE MOUNT OPTIONS AND DIMENSIONS.

| STATUS   | DESCRIPTION           | QTY | LEAD                  | PART NO.     | DATE        |
|----------|-----------------------|-----|-----------------------|--------------|-------------|
| OBSOLETE | TAPE & REEL           | 2   | 7.06 [.278]           | ADPA02STRO4  | 6-1571999-5 |
| OBSOLETE | TUBE                  | 10  | 27.38 [1.078]         | ADPA10SA04   | 6-1571999-4 |
| OBSOLETE | TUBE                  | 10  | 27.38 [1.078]         | ADPA10S04    | 6-1571999-3 |
| OBSOLETE | TUBE                  | 10  | 27.38 [1.078]         | ADPA1004     | 6-1571999-2 |
| OBSOLETE | TUBE                  | 9   | 24.84 [.978]          | ADPA09SA04   | 6-1571999-1 |
| OBSOLETE | TUBE                  | 9   | 24.84 [.978]          | ADPA09S04    | 6-1571999-0 |
| OBSOLETE | TUBE                  | 9   | 24.84 [.978]          | ADPA0904     | 5-1571999-9 |
| OBSOLETE | TUBE                  | 8   | 22.30 [.878]          | ADPA08SA04   | 5-1571999-8 |
| OBSOLETE | TUBE                  | 8   | 22.30 [.878]          | ADPA08S04    | 5-1571999-7 |
| OBSOLETE | TUBE                  | 8   | 22.30 [.878]          | ADPA0804     | 5-1571999-6 |
| OBSOLETE | TUBE                  | 7   | 19.76 [.778]          | ADPA07SA04   | 5-1571999-5 |
| OBSOLETE | TUBE                  | 7   | 19.76 [.778]          | ADPA07S04    | 5-1571999-4 |
| OBSOLETE | TUBE                  | 7   | 19.76 [.778]          | ADPA0704     | 5-1571999-3 |
| OBSOLETE | TUBE                  | 6   | 17.22 [.678]          | ADPA06SA04   | 5-1571999-2 |
| OBSOLETE | TUBE                  | 6   | 17.22 [.678]          | ADPA06S04    | 5-1571999-1 |
| OBSOLETE | TUBE                  | 6   | 17.22 [.678]          | ADPA0604     | 5-1571999-0 |
| OBSOLETE | TUBE                  | 5   | 14.68 [.578]          | ADPA05SA04   | 4-1571999-9 |
| OBSOLETE | TUBE                  | 5   | 14.68 [.578]          | ADPA05S04    | 4-1571999-8 |
| OBSOLETE | TUBE                  | 5   | 14.68 [.578]          | ADPA0504     | 4-1571999-7 |
| OBSOLETE | TUBE                  | 4   | 12.14 [.478]          | ADPA04SA04   | 4-1571999-6 |
| OBSOLETE | TUBE                  | 4   | 12.14 [.478]          | ADPA04S04    | 4-1571999-5 |
| OBSOLETE | TUBE                  | 4   | 12.14 [.478]          | ADPA0404     | 4-1571999-4 |
| OBSOLETE | TUBE                  | 2   | 7.06 [.278]           | ADPA02SA04   | 4-1571999-3 |
| OBSOLETE | TUBE                  | 2   | 7.06 [.278]           | ADPA02S04    | 4-1571999-2 |
| OBSOLETE | TUBE                  | 2   | 7.06 [.278]           | ADPA0204     | 4-1571999-1 |
| OBSOLETE | TAPE & REEL SWITCH ON | 10  | 27.38 [1.078]         | ADP10STRON04 | 4-1571999-0 |
| OBSOLETE | TAPE & REEL           | 10  | 27.38 [1.078]         | ADP10STR04   | 3-1571999-9 |
| OBSOLETE | TUBE                  | 10  | 27.38 [1.078]         | ADP10SA04    | 3-1571999-8 |
| OBSOLETE | TUBE                  | 10  | 27.38 [1.078]         | ADP10S04     | 3-1571999-7 |
| OBSOLETE | TUBE                  | 10  | 27.38 [1.078]         | ADP1004      | 3-1571999-6 |
| OBSOLETE | TAPE & REEL SWITCH ON | 9   | 24.84 [.978]          | ADP09STRON04 | 3-1571999-5 |
| OBSOLETE | TAPE & REEL           | 9   | 24.84 [.978]          | ADP09STR04   | 3-1571999-4 |
| OBSOLETE | TUBE                  | 9   | 24.84 [.978]          | ADP09SA04    | 3-1571999-3 |
| OBSOLETE | TUBE                  | 9   | 24.84 [.978]          | ADP09S04     | 3-1571999-2 |
| OBSOLETE | TUBE                  | 9   | 24.84 [.978]          | ADP0904      | 3-1571999-1 |
| OBSOLETE | TAPE & REEL SWITCH ON | 8   | 22.30 [.878]          | ADP08STRON04 | 3-1571999-0 |
| OBSOLETE | TAPE & REEL           | 8   | 22.30 [.878]          | ADP08STR04   | 2-1571999-9 |
| OBSOLETE | TUBE                  | 8   | 22.30 [.878]          | ADP08SA04    | 2-1571999-8 |
| OBSOLETE | TUBE                  | 8   | 22.30 [.878]          | ADP08S04     | 2-1571999-7 |
| OBSOLETE | TUBE                  | 8   | 22.30 [.878]          | ADP0804      | 2-1571999-6 |
| OBSOLETE | TAPE & REEL SWITCH ON | 7   | 19.76 [.778]          | ADP07STRON04 | 2-1571999-5 |
| OBSOLETE | TAPE & REEL           | 7   | 19.76 [.778]          | ADP07STR04   | 2-1571999-4 |
| OBSOLETE | TUBE                  | 7   | 19.76 [.778]          | ADP07SA04    | 2-1571999-3 |
| OBSOLETE | TUBE                  | 7   | 19.76 [.778]          | ADP07S04     | 2-1571999-2 |
| OBSOLETE | TUBE                  | 7   | 19.76 [.778]          | ADP0704      | 2-1571999-1 |
| OBSOLETE | TAPE & REEL SWITCH ON | 6   | 17.22 [.678]          | ADP06STRON04 | 2-1571999-0 |
| OBSOLETE | TAPE & REEL           | 6   | 17.22 [.678]          | ADP06STR04   | 1-1571999-9 |
| OBSOLETE | TUBE                  | 6   | 17.22 [.678]          | ADP06SA04    | 1-1571999-8 |
| OBSOLETE | TUBE                  | 6   | 17.22 [.678]          | ADP06S04     | 1-1571999-7 |
| OBSOLETE | TUBE                  | 6   | 17.22 [.678]          | ADP0604      | 1-1571999-6 |
| OBSOLETE | TAPE & REEL SWITCH ON | 5   | 14.68 [.578]          | ADP05STRON04 | 1-1571999-5 |
| OBSOLETE | TAPE & REEL           | 5   | 14.68 [.578]          | ADP05STR04   | 1-1571999-4 |
| OBSOLETE | TUBE                  | 5   | 14.68 [.578]          | ADP05SA04    | 1-1571999-3 |
| OBSOLETE | TUBE                  | 5   | 14.68 [.578]          | ADP05S04     | 1-1571999-2 |
| OBSOLETE | TUBE                  | 5   | 14.68 [.578]          | ADP0504      | 1-1571999-1 |
| OBSOLETE | TAPE & REEL SWITCH ON | 4   | 12.14 [.478]          | ADP04STRON04 | 1-1571999-0 |
| OBSOLETE | TAPE & REEL           | 4   | 12.14 [.478]          | ADP04STR04   | 1571999-9   |
| OBSOLETE | TUBE                  | 4   | 12.14 [.478]          | ADP04SA04    | 1571999-8   |
| OBSOLETE | TUBE                  | 4   | 12.14 [.478]          | ADP04S04     | 1571999-7   |
| OBSOLETE | TUBE                  | 4   | 12.14 [.478]          | ADP0404      | 1571999-6   |
| OBSOLETE | TAPE & REEL SWITCH ON | 2   | 7.00 [.276]           | ADP02STRON04 | 1571999-5   |
| OBSOLETE | TAPE & REEL           | 2   | 7.00±0.50 [.276±.020] | ADP02STR04   | 1571999-4   |
| OBSOLETE | TUBE                  | 2   | 7.00±0.50 [.276±.020] | ADP02SA04    | 1571999-3   |
| OBSOLETE | TUBE                  | 2   | 7.00±0.50 [.276±.020] | ADP02S04     | 1571999-2   |
| OBSOLETE | TUBE                  | 2   | 7.00±0.50 [.276±.020] | ADP0204      | 1571999-1   |

THIS DRAWING IS A CONTROLLED DOCUMENT.

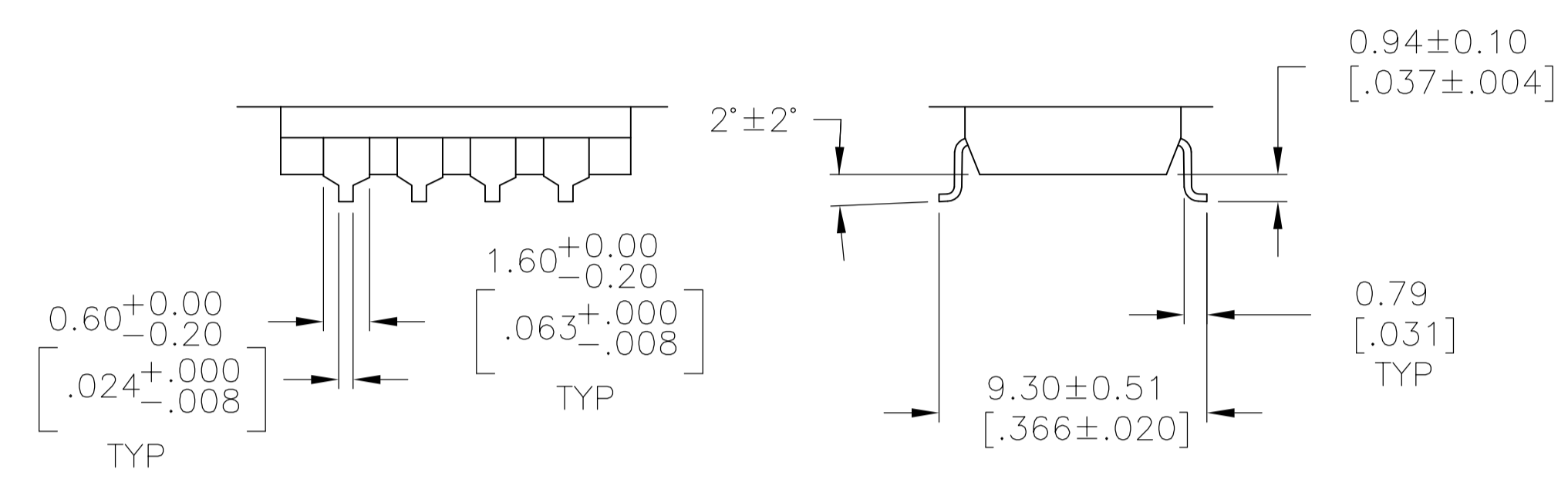
OWN: M. BINNER 14FEB05  
CHK: M. SARVER 15FEB05  
APVD: M. SARVER 15FEB05

TE Connectivity

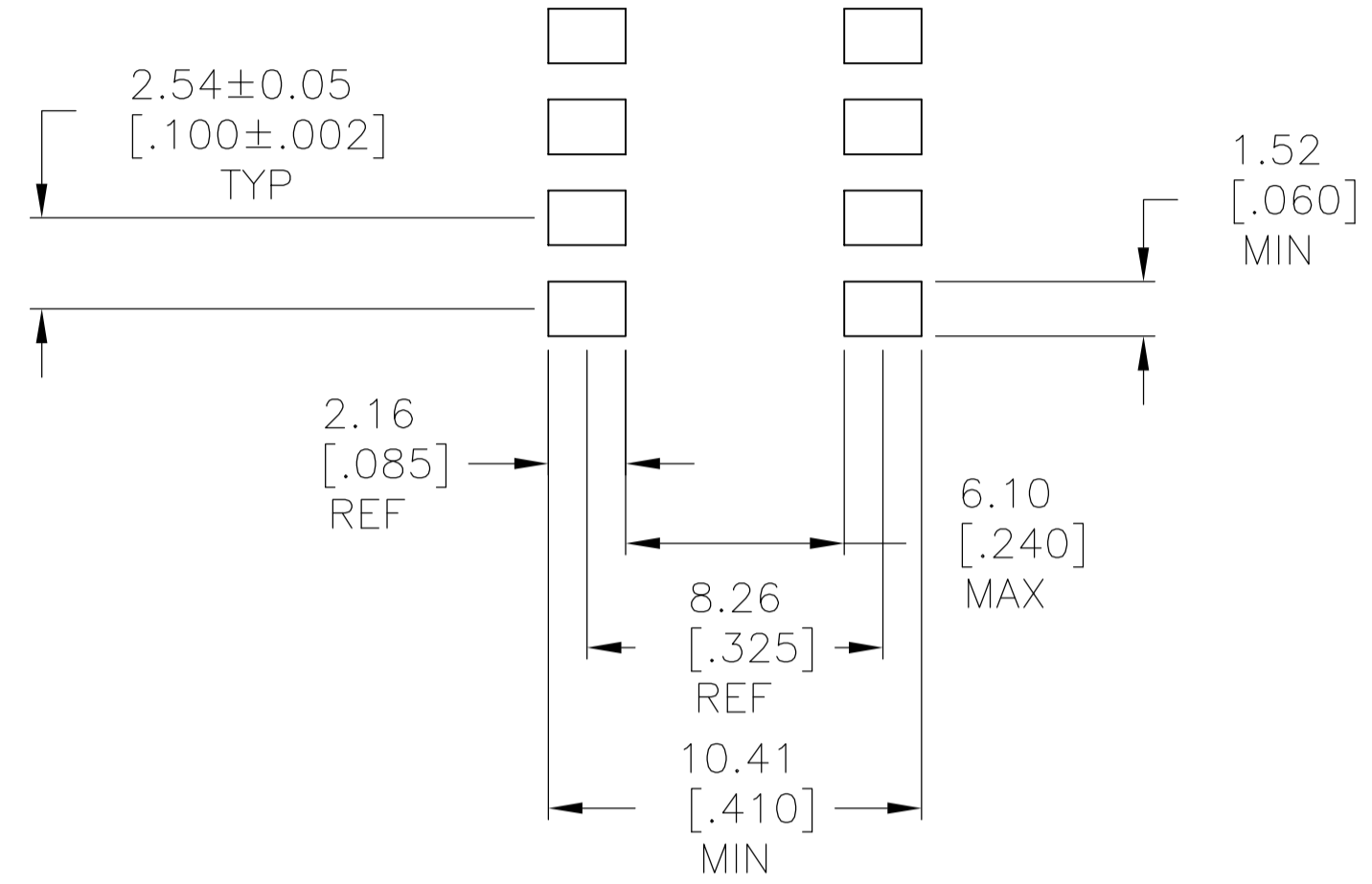
DIP SWITCH ASSEMBLY  
ADP/PA SERIES

SIZE: A1 GAGE CODE: C=1571999  
SCALE: 1:1 SHEET: 1 OF 2 REV: D6

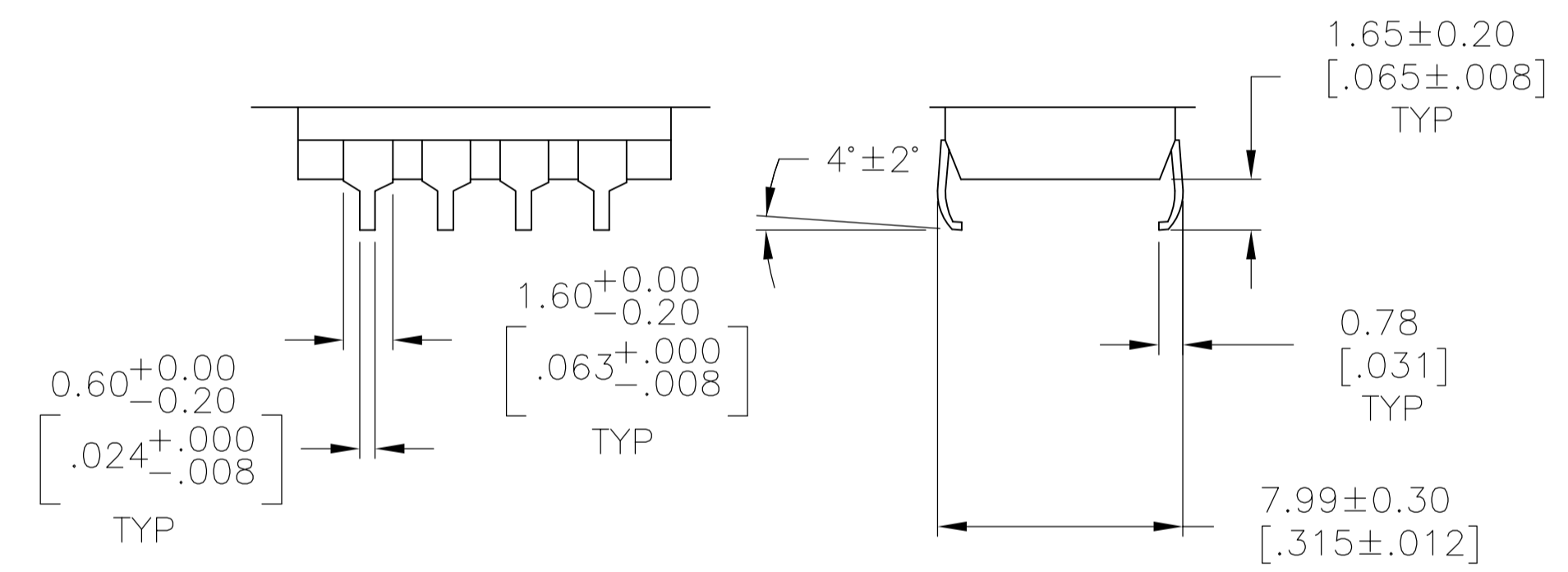
| REVISIONS |     |             |      |      |
|-----------|-----|-------------|------|------|
| P         | LTR | DESCRIPTION | DATE | APPD |
| -         | -   | SEE SHEET 1 | -    | -    |



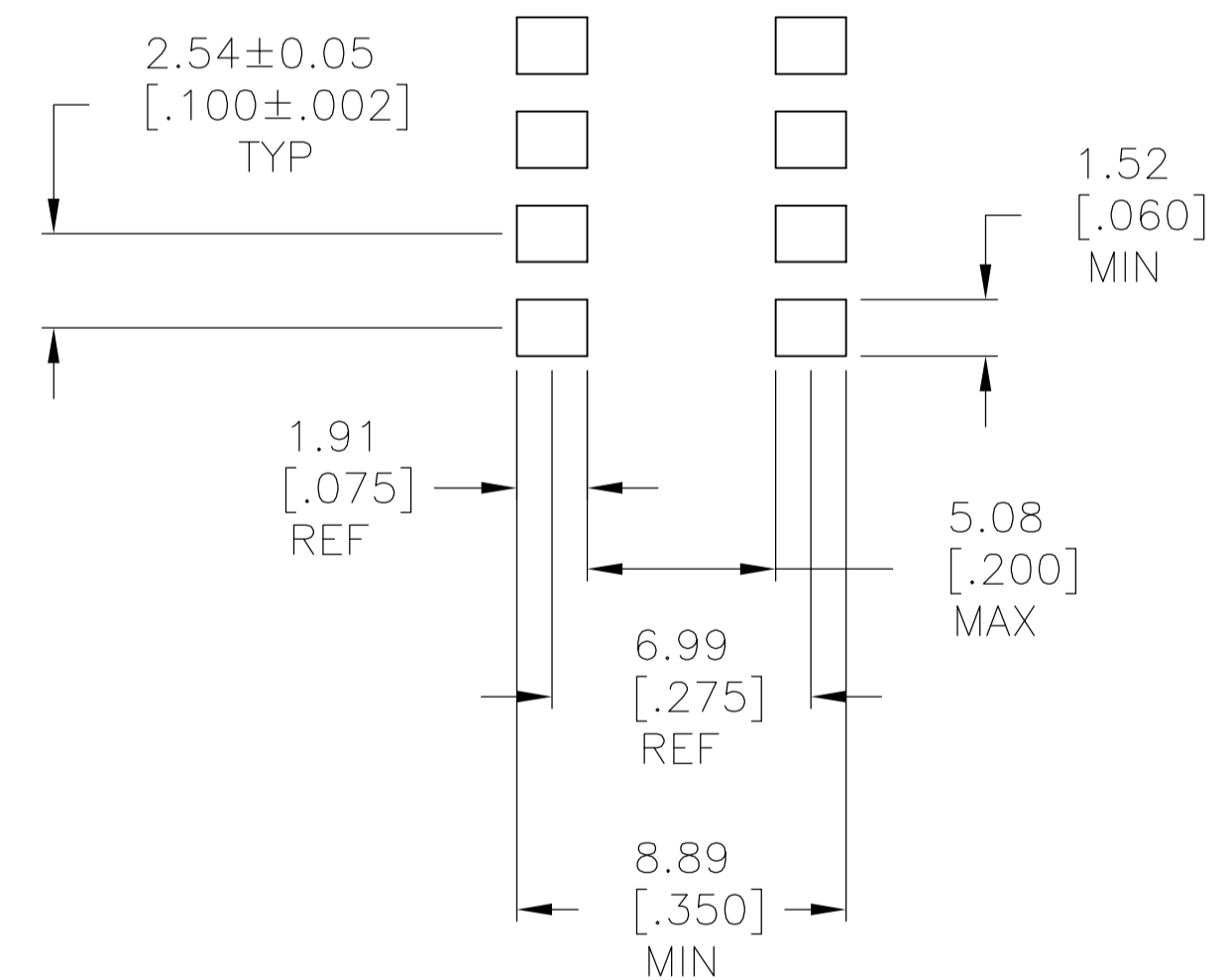
SURFACE MOUNT  
S TERMINATION



RECOMMENDED PAD LAYOUT  
SURFACE MOUNT  
"S" TERMINATION



SURFACE MOUNT  
SA TERMINATION



RECOMMENDED PAD LAYOUT  
SURFACE MOUNT  
"SA" TERMINATION

|  |                    |                              |  |                     |
|--|--------------------|------------------------------|--|---------------------|
| THIS DRAWING IS A CONTROLLED DOCUMENT. |                    | OWN<br>M. BINNER<br>14FEB05  | TE Connectivity                              |                     |
| DIMENSIONS:<br>mm [INCHES]             |                    | CHK<br>M. SARVER<br>15FEB05  |  |                     |
| TOLERANCES UNLESS OTHERWISE SPECIFIED: |                    | APVD<br>M. SARVER<br>15FEB05 | NAME<br>DIP SWITCH ASSEMBLY<br>ADP/PA SERIES |                     |
| 0 PLC ± -                              | 1 PLC ± -          | PRODUCT SPEC                 | SIZE CAGE CODE DRAWING NO                    |                     |
| 2 PLC ± -                              | 3 PLC ± .012[0.31] | APPLICATION SPEC             | RESTRICTED TO                                |                     |
| 4 PLC ± -                              | ANGLES ± 1°        | WEIGHT                       | A1 00779 C-1571999                           |                     |
| MATERIAL                               | FINISH             | CUSTOMER DRAWING             | SCALE 1:1                                    | SHEET 2 OF 2 REV D6 |



Компания «ЭлектроПласт» предлагает заключение долгосрочных отношений при поставках импортных электронных компонентов на взаимовыгодных условиях!

Наши преимущества:

- Оперативные поставки широкого спектра электронных компонентов отечественного и импортного производства напрямую от производителей и с крупнейших мировых складов;
- Поставка более 17-ти миллионов наименований электронных компонентов;
- Поставка сложных, дефицитных, либо снятых с производства позиций;
- Оперативные сроки поставки под заказ (от 5 рабочих дней);
- Экспресс доставка в любую точку России;
- Техническая поддержка проекта, помощь в подборе аналогов, поставка прототипов;
- Система менеджмента качества сертифицирована по Международному стандарту ISO 9001;
- Лицензия ФСБ на осуществление работ с использованием сведений, составляющих государственную тайну;
- Поставка специализированных компонентов (Xilinx, Altera, Analog Devices, Intersil, Interpoint, Microsemi, Aeroflex, Peregrine, Syfer, Eurofarad, Texas Instrument, Miteq, Cobham, E2V, MA-COM, Hittite, Mini-Circuits, General Dynamics и др.);

Помимо этого, одним из направлений компании «ЭлектроПласт» является направление «Источники питания». Мы предлагаем Вам помощь Конструкторского отдела:

- Подбор оптимального решения, техническое обоснование при выборе компонента;
- Подбор аналогов;
- Консультации по применению компонента;
- Поставка образцов и прототипов;
- Техническая поддержка проекта;
- Защита от снятия компонента с производства.



#### Как с нами связаться

**Телефон:** 8 (812) 309 58 32 (многоканальный)

**Факс:** 8 (812) 320-02-42

**Электронная почта:** [org@eplast1.ru](mailto:org@eplast1.ru)

**Адрес:** 198099, г. Санкт-Петербург, ул. Калинина, дом 2, корпус 4, литера А.