

Plastic Infrared Emitting Diode

OP165, OP166 Series



Features:

- T-1 (3 mm) package style
- Choice of narrow or wide irradiance pattern
- Choice of dome lens or flat lens
- Mechanically and spectrally matched to other OPTEK devices
- Higher power output than GaAs at equivalent drive currents



Description:

Each device in the **OP165** and **OP166** series is a high intensity gallium arsenide infrared emitting diode (GaAIAs) that is molded in an IR transmissive clear epoxy package with either a dome or flat lens. Devices feature narrow and wide irradiance patterns and a variety of electrical characteristics. The small T-1 package style makes these devices ideal for space-limited applications.

OP165 and OP166 devices are mechanically and spectrally matched to the OP505 and OP535 series devices.

Please refer to Application Bulletins 208 and 210 for additional design information and reliability (degradation) data.

Applications:

- Space-limited applications
- Applications requiring coupling efficiency

Ordering Information					
Part Number	LED Peak Wavelength	Output Power (mW/cm ²) Min / Max	I _F (mA) Typ / Max	Total Beam Angle	Lead Length
OP165A	935 nm	1.95 / NA	20 / 50	18°	0.50"
OP165B		1.40 / 2.20			
OP165C		0.85 / 1.60			
OP165D		0.28 / NA		90°	
OP165W		0.50 / NA			
OP166A		1.95 / NA		18°	
OP166B		1.40 / 2.20			
OP166W		0.50 / NA			



RoHS

General Note

TT Electronics reserves the right to make changes in product specification without notice or liability. All information is subject to TT Electronics' own data and is considered accurate at time of going to print.

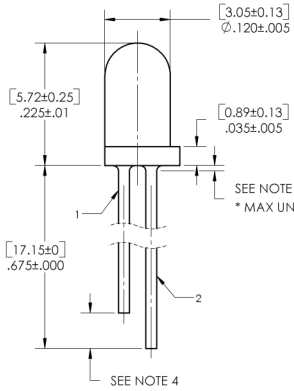
OPTEK Technology, Inc.
1645 Wallace Drive, Carrollton, TX 75006 | Ph: +1 972 323 2200
www.optekinc.com | www.ttelectronics.com

Plastic Infrared Emitting Diode

OP165, OP166 Series



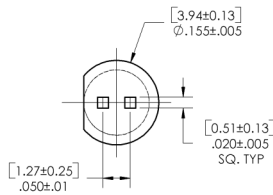
OP165 (A, B, C, D)



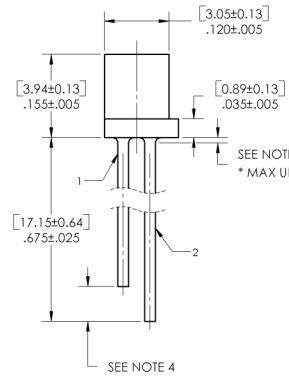
- NOTES:
1. OUTSIDE DISCRETE SHELL IS POLYSULFONE P1700 **CLEAR**.
 2. THIS LED IS BUILT WITH A 0.0011 X 0.011 GaAs CHIP.
 3. MAX ALLOWABLE EPOXY MINISCUS IS 0.030.
 4. FOR IDENTIFICATION PURPOSES, ANODE LEAD IS .065 ± .035 LONGER THAN THE CATHODE LEAD.

DISCRETE PIN-OUT

- 1 CATHODE
- 2 ANODE



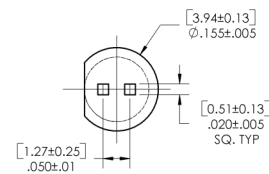
OP165W



- NOTES:
1. OUTSIDE DISCRETE SHELL IS POLYSULFONE P1700 **CLEAR**.
 2. THIS LED IS BUILT WITH A 0.011 X 0.011 GaAs CHIP.
 3. MAX ALLOWABLE EPOXY MINISCUS IS 0.030.
 4. FOR IDENTIFICATION PURPOSES, ANODE LEAD IS .065 ± .035 LONGER THAN THE CATHODE LEAD.

DISCRETE PIN-OUT

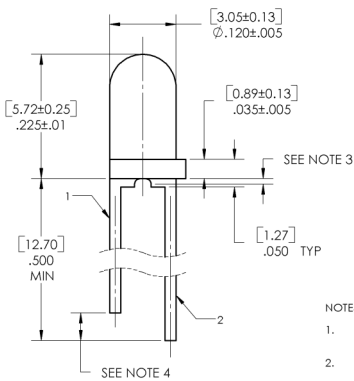
- 1 CATHODE
- 2 ANODE



DIMENSIONS ARE IN: [MILLIMETERS] INCHES

OP166 (A, B)

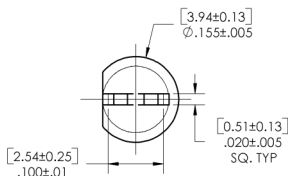
* MAX UNDERFILL ALLOWED IS .015".
** ELBOW OF LEADFRAME NOT MORE THAN .005" FROM FLANGE.



- NOTES:
1. OUTSIDE DISCRETE SHELL IS POLYSULFONE P1700 **CLEAR**.
 2. THIS LED IS BUILT WITH A 0.0011 X 0.011 GaAs CHIP.
 3. MAX ALLOWABLE EPOXY MINISCUS IS 0.030.
 4. FOR IDENTIFICATION PURPOSES, ANODE LEAD IS .050 MIN. LONGER THAN THE CATHODE LEAD.

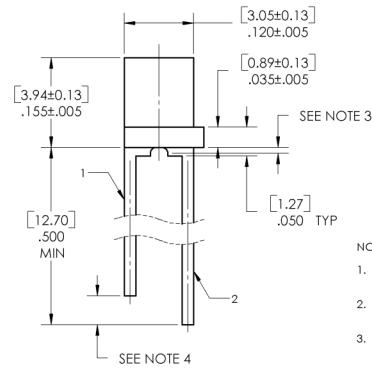
DISCRETE PIN-OUT

- 1 CATHODE
- 2 ANODE



OP166W

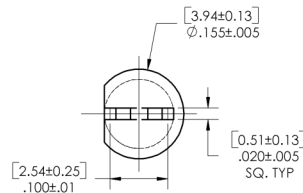
* MAX UNDERFILL ALLOWED IS .015".
** ELBOW OF LEADFRAME NOT MORE THAN .005" FROM FLANGE.



- NOTES:
1. OUTSIDE DISCRETE SHELL IS POLYSULFONE P1700 **CLEAR**.
 2. THIS LED IS BUILT WITH A 0.011 X 0.011 GaAs CHIP.
 3. MAX ALLOWABLE EPOXY MINISCUS IS 0.030.
 4. FOR IDENTIFICATION PURPOSES, ANODE LEAD IS .050 MIN. LONGER THAN THE CATHODE LEAD.

DISCRETE PIN-OUT

- 1 CATHODE
- 2 ANODE



Pin #	LED
1	Cathode
2	Anode

CONTAINS POLYSULFONE

To avoid stress cracking, we suggest using ND Industries' **Vibra-Tite** for thread-locking. **Vibra-Tite** evaporates fast without causing structural failure in OPTEK'S molded plastics.

General Note

TT Electronics reserves the right to make changes in product specification without notice or liability. All information is subject to TT Electronics' own data and is considered accurate at time of going to print.

Plastic Infrared Emitting Diode

OP165, OP166 Series



Electrical Specifications

Absolute Maximum Ratings (T _A = 25° C unless otherwise noted)	
Storage and Operating Temperature Range	-40° C to +100° C
Reverse Voltage	2.0 V
Continuous Forward Current	50 mA
Peak Forward Current (1 μs pulse width, 300 pps)	3.0 A
Lead Soldering Temperature [1/16 inch (1.6 mm) from case for 5 seconds with soldering iron]	260° C
Power Dissipation	100 mW ⁽¹⁾

Electrical Characteristics (T _A = 25° C unless otherwise noted)						
SYMBOL	PARAMETER	MIN	TYP	MAX	UNITS	TEST CONDITIONS
Input Diode						
E _{E (APT)}	Apertured Radiant Incidence OP165A, OP166A	1.95	-	-	mW/cm ²	I _F = 20 mA ⁽²⁾
P _O	Radiant Power Output OP165W, OP166W	0.50	-	-	mW	I _F = 20 mA
V _F	Forward Voltage	-	-	1.60	V	I _F = 20 mA
I _R	Reverse Current	-	-	100	μA	V _R = 2 V
λ _p	Wavelength at Peak Emission	-	935	-	nm	I _F = 10 mA
B	Spectral Bandwidth between Half Power Points	-	50	-	nm	I _F = 10 mA
Δλ _p / ΔT	Spectral Shift with Temperature OP165, OP166 (A, B, C, D) OP165W, OP166W	-	-	-	nm/°C	I _F = Constant
θ _{HP}	Emission Angle at Half Power Points OP165, OP166 (A, B, C, D) OP165W, OP166W	-	18	-	Degree	I _F = 20 mA
t _r	Output Rise Time	-	1000	-	ns	I _{F(PK)} = 100 mA, PW = 10 μs, D.C. = 10.0%
Notes:	Output Fall Time	-	500	-	ns	

- Derate linearly 1.33 mW/°C above 25°C
- E_{E(APT)} is a measurement of the average apertured radiant incidence upon a sensing area 0.081" (2.06 mm) in diameter, perpendicular to and centered on the mechanical axis of the lens, and 0.590" (14.99 mm) from the measurement surface. E_{E(APT)} is not necessarily uniform within the measured areas.



General Note
TT Electronics reserves the right to make changes in product specification without notice or liability. All information is subject to TT Electronics' own data and is considered accurate at time of going to print.

OPTEK Technology, Inc.
1645 Wallace Drive, Carrollton, TX 75006 | Ph: +1 972 323 2200
www.optekinc.com | www.ttelectronics.com

Plastic Infrared Emitting Diode

OP165, OP166 Series



Performance

OP165, OP166 (A, B, C, D, W)

Forward Voltage vs Forward Current vs Temperature



Optical Power vs I_F vs Temp



Distance vs Output Power vs Forward Current



Relative Radiant Intensity vs Angular Displacement



General Note

TT Electronics reserves the right to make changes in product specification without notice or liability. All information is subject to TT Electronics' own data and is considered accurate at time of going to print.

OPTEK Technology, Inc.
1645 Wallace Drive, Carrollton, TX 75006 | Ph: +1 972 323 2200
www.optekinc.com | www.ttelectronics.com



Компания «ЭлектроПласт» предлагает заключение долгосрочных отношений при поставках импортных электронных компонентов на взаимовыгодных условиях!

Наши преимущества:

- Оперативные поставки широкого спектра электронных компонентов отечественного и импортного производства напрямую от производителей и с крупнейших мировых складов;
- Поставка более 17-ти миллионов наименований электронных компонентов;
- Поставка сложных, дефицитных, либо снятых с производства позиций;
- Оперативные сроки поставки под заказ (от 5 рабочих дней);
- Экспресс доставка в любую точку России;
- Техническая поддержка проекта, помощь в подборе аналогов, поставка прототипов;
- Система менеджмента качества сертифицирована по Международному стандарту ISO 9001;
- Лицензия ФСБ на осуществление работ с использованием сведений, составляющих государственную тайну;
- Поставка специализированных компонентов (Xilinx, Altera, Analog Devices, Intersil, Interpoint, Microsemi, Aeroflex, Peregrine, Syfer, Eurofarad, Texas Instrument, Miteq, Cobham, E2V, MA-COM, Hittite, Mini-Circuits, General Dynamics и др.);

Помимо этого, одним из направлений компании «ЭлектроПласт» является направление «Источники питания». Мы предлагаем Вам помощь Конструкторского отдела:

- Подбор оптимального решения, техническое обоснование при выборе компонента;
- Подбор аналогов;
- Консультации по применению компонента;
- Поставка образцов и прототипов;
- Техническая поддержка проекта;
- Защита от снятия компонента с производства.



Как с нами связаться

Телефон: 8 (812) 309 58 32 (многоканальный)

Факс: 8 (812) 320-02-42

Электронная почта: org@eplast1.ru

Адрес: 198099, г. Санкт-Петербург, ул. Калинина, дом 2, корпус 4, литера А.