

3-Terminal 500mA Positive Voltage Regulator

DESCRIPTION

The TS78M00 Series positive voltage regulators are identical to the popular TS7800 Series devices, except that they are specified for only half the output current. Like the TS7800 devices, the TS78M00 Series 3-Terminal regulators are intended for local, on-card voltage regulation. Internal current limiting, thermal shutdown circuitry and safe-area compensation for the internal pass transistor combine to make these devices remarkably rugged under most operating conditions. Maximum output current with adequate heatsink is 500mA

FEATURES

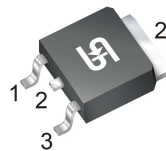
- Output Voltage Range 5V & 12V
- Output current up to 500mA
- No external components required
- Internal thermal overload protection
- Internal short-circuit current limiting
- Output transistor safe-area compensation
- Output voltage offered in 4% tolerance
- Compliant to RoHS Directive 2011/65/EU and WEEE 2002/96/EC
- Halogen-free according to IEC 61249-2-21

APPLICATION

- Switching power supply
- Home appliance



TO-252 (DPAK)

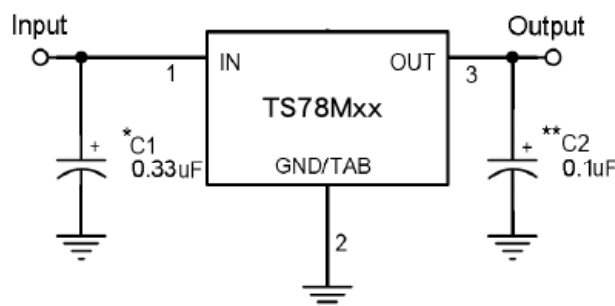


Pin Definition:

1. Input
2. Ground (Tab)
3. Output

Notes: MSL 3 (Moisture Sensitivity Level) per J-STD-020

TYPICAL APPLICATION CIRCUIT



A common ground is required between the input and the output voltages. The input voltage must remain typically 2.0V above the output voltage even during the low point on the Input ripple voltage.

XX = these two digits of the type number indicate voltage.

* = Cin is required if regulator is located an appreciable distance from power supply filter.

** = Co is not needed for stability; however, it does improve transient response.

ABSOLUTE MAXIMUM RATINGS			
PARAMETER	SYMBOL	LIMIT	UNIT
DC Input Voltage	V_{IN}	35	V
Power Dissipation	P_D	Internally Limited	W
Operating Junction Temperature Range	T_J	0 ~ +150	°C
Storage Temperature Range	T_{STG}	-65~+150	°C

THERMAL PERFORMANCE			
PARAMETER	SYMBOL	LIMIT	UNIT
Junction to Case Thermal Resistance	$R_{\theta JC}$	10	°C/W
Junction to Ambient Thermal Resistance	$R_{\theta JA}$	100	°C/W

Notes: $R_{\theta JA}$ is the sum of the junction-to-case and case-to-ambient thermal resistances. The case thermal reference is defined at the solder mounting surface of the drain pins. $R_{\theta JA}$ is guaranteed by design while $R_{\theta CA}$ is determined by the user's board design. $R_{\theta JA}$ shown below for single device operation on FR-4 PCB in still air.

ELECTRICAL SPECIFICATIONS TS78M05							
($V_{IN}=10V$, $I_{OUT}=350mA$, $0^{\circ}C \leq T_J \leq 125^{\circ}C$, $C_{IN}=0.33\mu F$, $C_{OUT}=0.1\mu F$, unless otherwise noted)							
PARAMETER	SYMBOL	CONDITION	MIN	TYP	MAX	UNIT	
Output voltage	V_{OUT}	$T_J=25^{\circ}C$	4.80	5	5.20	V	
		$7.5V \leq V_{IN} \leq 20V$ $5mA \leq I_{OUT} \leq 350mA$	4.75	5	5.25		
Line Regulation	REG_{LINE}	$T_J=25^{\circ}C$	$7.5V \leq V_{IN} \leq 25V$	--	3	100	mV
			$8V \leq V_{IN} \leq 12V$	--	1	50	
Load Regulation	REG_{LOAD}	$T_J=25^{\circ}C$	$5mA \leq I_{OUT} \leq 500mA$	--	15	100	
			$5mA \leq I_{OUT} \leq 200mA$	--	5	50	
Quiescent Current	I_Q	$I_{OUT}=0$, $T_J=25^{\circ}C$	--	3	6	mA	
Quiescent Current Change	ΔI_Q	$7.5V \leq V_{IN} \leq 25V$	--	--	0.8		
		$5mA \leq I_{OUT} \leq 350mA$	--	--	0.5		
Output Noise Voltage	V_N	$10Hz \leq f \leq 100KHz$, $T_J=25^{\circ}C$	--	40	--	μV	
Ripple Rejection Ratio	RR	$f=120Hz$, $8V \leq V_{IN} \leq 18V$	62	78	--	dB	
Voltage Drop	V_{DROP}	$I_{OUT}=500mA$, $T_J=25^{\circ}C$	--	2	--	V	
Output Resistance	R_{OUT}	$f=1kHz$	--	17	--	$m\Omega$	
Output Short Circuit Current	I_{OS}	$T_J=25^{\circ}C$	--	50	--	mA	
Peak Output Current	$I_{O\ peak}$	$T_J=25^{\circ}C$	--	0.7	--	A	
Temperature Coefficient of Output Voltage	$\Delta V_{OUT}/\Delta T_J$	$I_{OUT}=5mA$, $0^{\circ}C \leq T_J \leq 125^{\circ}C$	--	-0.2	--	$mV/^{\circ}C$	

Note:

1. Pulse testing techniques are used to maintain the junction temperature as close to the ambient temperature as possible, and thermal effects must be taken into account separately
2. This specification applies only for DC power dissipation permitted by absolute maximum ratings.

ELECTRICAL SPECIFICATIONS TS78M05

($V_{IN}=19V$, $I_{OUT}=350mA$, $0^{\circ}C \leq T_J \leq 125^{\circ}C$, $C_{IN}=0.33\mu F$, $C_{OUT}=0.1\mu F$, unless otherwise noted)

PARAMETER	SYMBOL	CONDITION	MIN	TYP	MAX	UNIT	
Output voltage	V_{OUT}	$T_J=25^{\circ}C$	11.53	12	12.48	V	
		$14.5V \leq V_{IN} \leq 27V$ $5mA \leq I_{OUT} \leq 350mA$	11.42	12	12.60		
Line Regulation	REG_{LINE}	$T_J=25^{\circ}C$	$14.5V \leq V_{IN} \leq 30V$	--	10	240	mV
			$15V \leq V_{IN} \leq 19V$	--	3	120	
Load Regulation	REG_{LOAD}	$T_J=25^{\circ}C$	$5mA \leq I_{OUT} \leq 500mA$	--	12	240	mV
			$5mA \leq I_{OUT} \leq 200mA$	--	4	120	
Quiescent Current	I_Q	$I_{OUT}=0$, $T_J=25^{\circ}C$	--	3	6	mA	
Quiescent Current Change	ΔI_Q	$14.5V \leq V_{IN} \leq 27V$	--	--	0.8		
		$5mA \leq I_{OUT} \leq 350mA$	--	--	0.5		
Output Noise Voltage	V_N	$10Hz \leq f \leq 100KHz$, $T_J=25^{\circ}C$	--	75	--	μV	
Ripple Rejection Ratio	RR	$f=120Hz$, $15V \leq V_{IN} \leq 25V$	--	80	--	dB	
Voltage Drop	V_{DROP}	$I_{OUT}=500mA$, $T_J=25^{\circ}C$	--	2	--	V	
Output Resistance	R_{OUT}	$f=1kHz$	--	18	--	$m\Omega$	
Output Short Circuit Current	I_{OS}	$T_J=25^{\circ}C$	--	50	--	mA	
Peak Output Current	I_O peak	$T_J=25^{\circ}C$	--	0.7	--	A	
Temperature Coefficient of Output Voltage	$\Delta V_{OUT}/\Delta T_J$	$I_{OUT}=5mA$, $0^{\circ}C \leq T_J \leq 125^{\circ}C$	--	-0.3	--	$mV/^{\circ}C$	

Note:

1. Pulse testing techniques are used to maintain the junction temperature as close to the ambient temperature as possible, and thermal effects must be taken into account separately
2. This specification applies only for DC power dissipation permitted by absolute maximum ratings.

ORDERING INFORMATION

OUTPUT VOLTAGE	PART NO.	PACKAGE	PACKING
5V	TS78M05CP ROG	TO-252 (DPAK)	2,500pcs / 13" Reel
12V	TS78M12CP ROG	TO-252 (DPAK)	2,500pcs / 13" Reel

ELECTRICAL CHARACTERISTIC CURVE

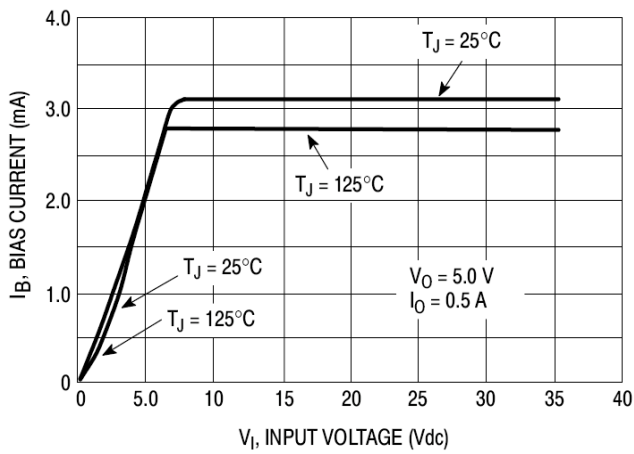


Figure 1. Bias Current vs. Input Voltage

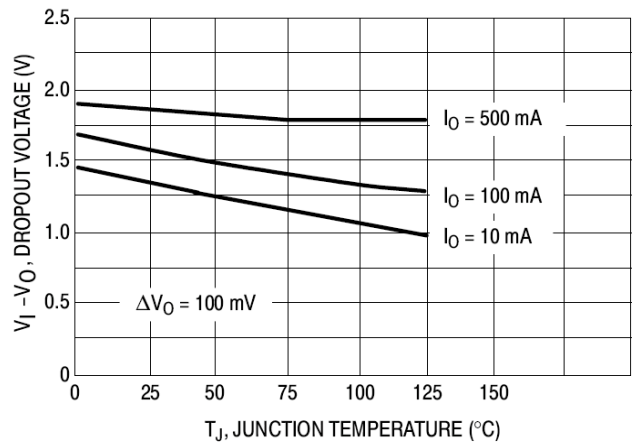


Figure 2. Dropout Voltage vs. Junction Temperature

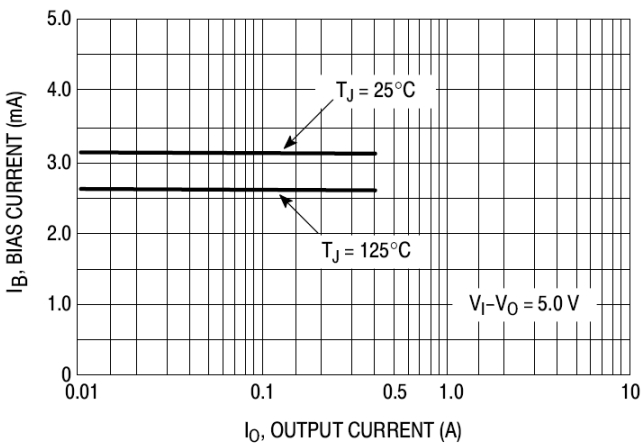


Figure 3. Bias Current vs. Output Current

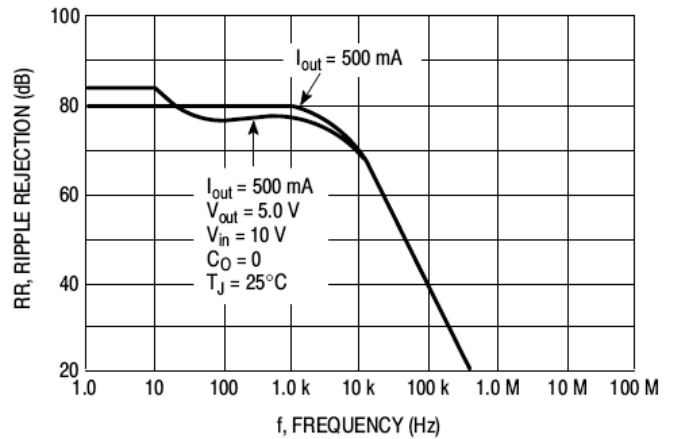


Figure 4. Ripple Rejection vs. Frequency

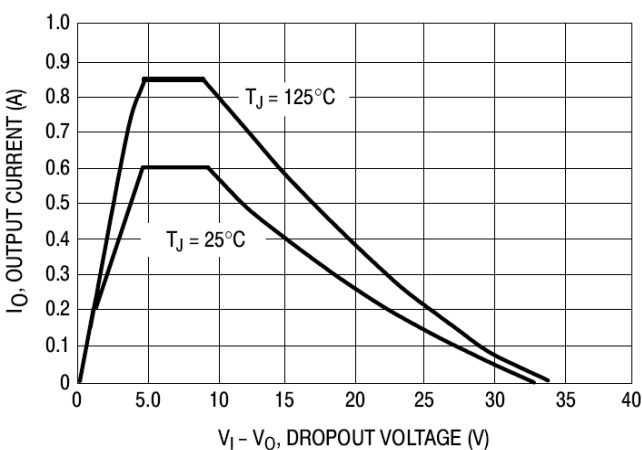
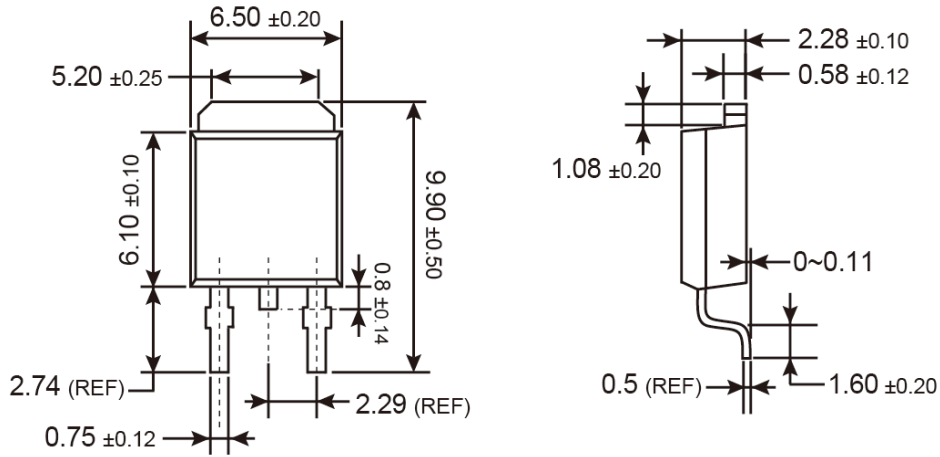


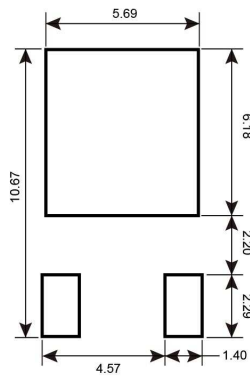
Figure 6. Peak Output Current vs. Dropout Voltage

PACKAGE OUTLINE DIMENSIONS (Unit: Millimeters)

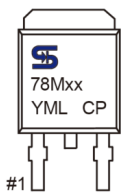
TO-252 (DPAK)



SUGGESTED PAD LAYOUT (Unit: Millimeters)



MARKING DIAGRAM



- XX** = Output Voltage
 - 05** =5V **12** =12V
- Y** = Year Code
- M** = Month Code for Halogen Free Product
 - O** =Jan **P** =Feb **Q** =Mar **R** =Apr
 - S** =May **T** =Jun **U** =Jul **V** =Aug
 - W** =Sep **X** =Oct **Y** =Nov **Z** =Dec
- L** = Lot Code

Notice

Specifications of the products displayed herein are subject to change without notice. TSC or anyone on its behalf, assumes no responsibility or liability for any errors or inaccuracies.

Information contained herein is intended to provide a product description only. No license, express or implied, to any intellectual property rights is granted by this document. Except as provided in TSC's terms and conditions of sale for such products, TSC assumes no liability whatsoever, and disclaims any express or implied warranty, relating to sale and/or use of TSC products including liability or warranties relating to fitness for a particular purpose, merchantability, or infringement of any patent, copyright, or other intellectual property right.

The products shown herein are not designed for use in medical, life-saving, or life-sustaining applications. Customers using or selling these products for use in such applications do so at their own risk and agree to fully indemnify TSC for any damages resulting from such improper use or sale.



Компания «ЭлектроПласт» предлагает заключение долгосрочных отношений при поставках импортных электронных компонентов на взаимовыгодных условиях!

Наши преимущества:

- Оперативные поставки широкого спектра электронных компонентов отечественного и импортного производства напрямую от производителей и с крупнейших мировых складов;
- Поставка более 17-ти миллионов наименований электронных компонентов;
- Поставка сложных, дефицитных, либо снятых с производства позиций;
- Оперативные сроки поставки под заказ (от 5 рабочих дней);
- Экспресс доставка в любую точку России;
- Техническая поддержка проекта, помощь в подборе аналогов, поставка прототипов;
- Система менеджмента качества сертифицирована по Международному стандарту ISO 9001;
- Лицензия ФСБ на осуществление работ с использованием сведений, составляющих государственную тайну;
- Поставка специализированных компонентов (Xilinx, Altera, Analog Devices, Intersil, Interpoint, Microsemi, Aeroflex, Peregrine, Syfer, Eurofarad, Texas Instrument, Miteq, Cobham, E2V, MA-COM, Hittite, Mini-Circuits, General Dynamics и др.);

Помимо этого, одним из направлений компании «ЭлектроПласт» является направление «Источники питания». Мы предлагаем Вам помощь Конструкторского отдела:

- Подбор оптимального решения, техническое обоснование при выборе компонента;
- Подбор аналогов;
- Консультации по применению компонента;
- Поставка образцов и прототипов;
- Техническая поддержка проекта;
- Защита от снятия компонента с производства.



Как с нами связаться

Телефон: 8 (812) 309 58 32 (многоканальный)

Факс: 8 (812) 320-02-42

Электронная почта: org@eplast1.ru

Адрес: 198099, г. Санкт-Петербург, ул. Калинина, дом 2, корпус 4, литера А.