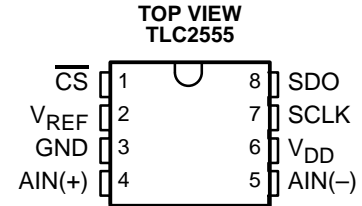
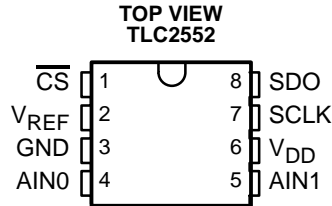
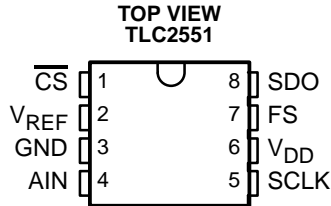


# TLC2551, TLC2552, TLC2555

## 5-V, LOW-POWER, 12-BIT, 175/360 KSPS, SERIAL ANALOG-TO-DIGITAL CONVERTERS WITH AUTOPOWER DOWN

SLAS276D – MARCH 2000 – REVISED MAY 2003

- Maximum Throughput . . . 175/360 KSPS
- INL/DNL:  $\pm 1$  LSB Max, SINAD: 72 dB, SFDR: 85 dB,  $f_i = 20$  kHz
- SPI/DSP-Compatible Serial Interface
- Single 5-V Supply
- Rail-to-Rail Analog Input With 500 kHz BW
- Three Options Available:
  - TLC2551: Single Channel Input
  - TLC2552: Dual Channels With Autosweep
  - TLC2555: Single Channel With Pseudo-Differential Input
- Low Power With Autopower Down
  - Operating Current: 3.5 mA
  - Autopower Down: 8  $\mu$ A
- Small 8-Pin MSOP and SOIC Packages



### description

The TLC2551, TLC2552, and TLC2555 are a family of high performance, 12-bit, low-power, miniature, CMOS analog-to-digital converters (ADC). The TLC255x family uses a 5-V supply. Devices are available with single, dual, or single pseudo-differential inputs. Each device has a chip select ( $\overline{CS}$ ), serial clock (SCLK), and serial data output (SDO) that provides a direct 3-wire interface to the serial port of most popular host microprocessors (SPI interface). When interfaced with a TMS320™ DSP, a frame sync signal (FS) can be used to indicate the start of a serial data frame on  $\overline{CS}$  for all devices or on FS for the TLC2551.

The TLC2551, TLC2552, and TLC2555 are designed to operate with very low power consumption. The power saving feature is further enhanced with an autopower-down mode. This product family features a high-speed serial link to modern host processors with SCLK up to 20 MHz. The maximum SCLK frequency is dependent upon the mode of operation (see Table 1). The TLC255x family uses SCLK as the conversion clock, which provides synchronous operation and a minimum conversion time of 1.5  $\mu$ s using a 20-MHz SCLK.

#### AVAILABLE OPTIONS

| T <sub>A</sub> | PACKAGED DEVICES  |               |
|----------------|-------------------|---------------|
|                | 8-MSOP<br>(DGK)   | 8-SOIC<br>(D) |
| 0°C to 70°C    | TLC2551CDGK (AHF) |               |
|                | TLC2552CDGK (AHH) |               |
|                | TLC2555CDGK (AHJ) |               |
| –40°C to 85°C  | TLC2551IDGK (AHG) | TLC2551ID     |
|                | TLC2552IDGK (AHI) | TLC2552ID     |
|                | TLC2555IDGK (AHK) | TLC2555ID     |



Please be aware that an important notice concerning availability, standard warranty, and use in critical applications of Texas Instruments semiconductor products and disclaimers thereto appears at the end of this data sheet.

TMS320 is a trademark of Texas Instruments.

PRODUCTION DATA information is current as of publication date. Products conform to specifications per the terms of Texas Instruments standard warranty. Production processing does not necessarily include testing of all parameters.



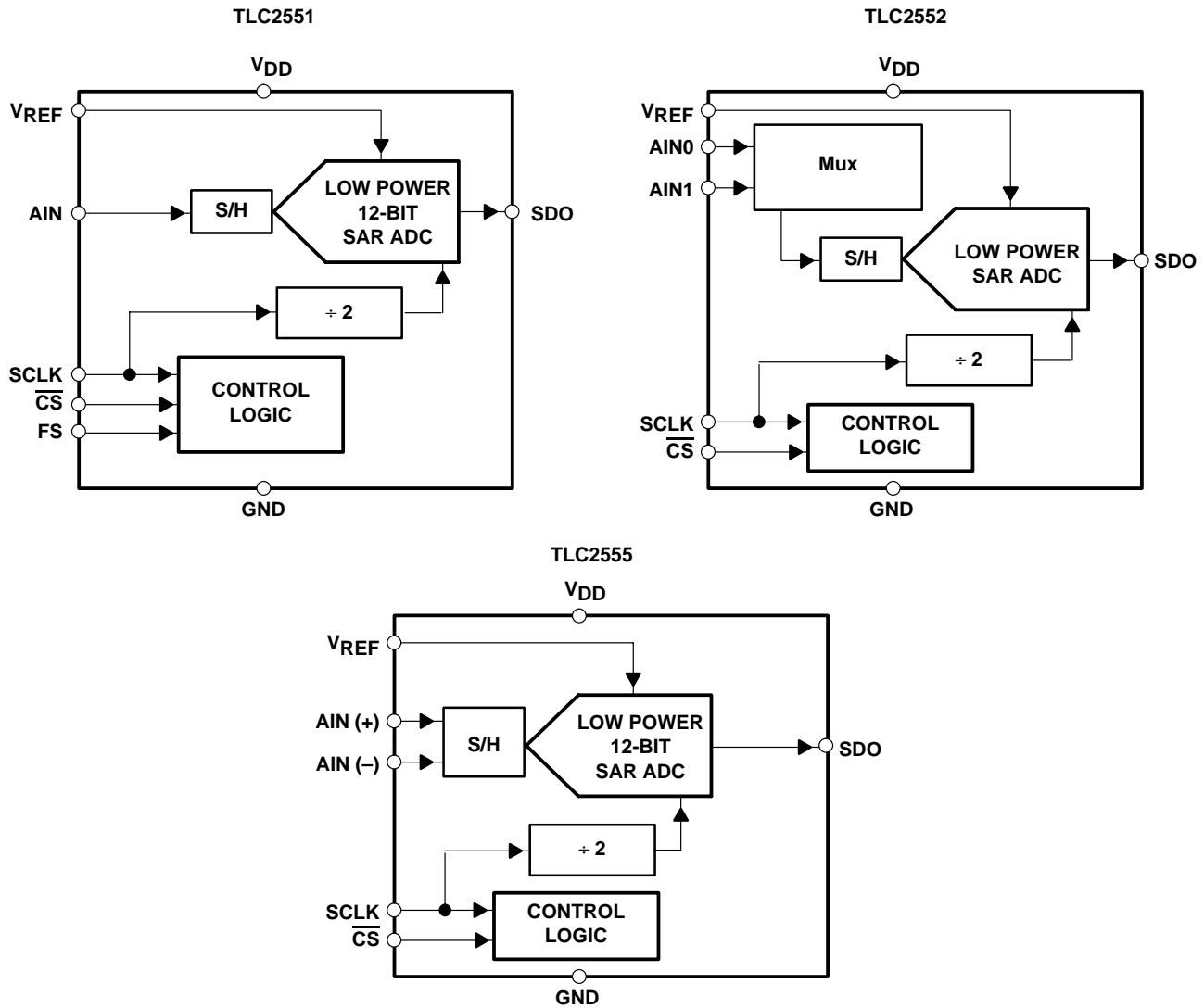
POST OFFICE BOX 655303 • DALLAS, TEXAS 75265

Copyright © 2002 – 2003, Texas Instruments Incorporated

**TLC2551, TLC2552, TLC2555**  
**5-V, LOW-POWER, 12-BIT, 175/360 KSPS,**  
**SERIAL ANALOG-TO-DIGITAL CONVERTERS WITH AUTOPOWER DOWN**

SLAS276D – MARCH 2000 – REVISED MAY 2003

**functional block diagram**



## Terminal Functions

### TLC2551

| TERMINAL               |     | I/O | DESCRIPTION   |
|------------------------|-----|-----|---|
| NAME                   | NO. |     |   |
| AIN                    | 4   | I   | Analog input channel  |
| $\overline{\text{CS}}$ | 1   | I   | Chip select. A high-to-low transition on the $\overline{\text{CS}}$ input removes SDO from 3-state within a maximum setup time. $\overline{\text{CS}}$ can be used as the FS pin when a dedicated DSP serial port is used.  |
| FS                     | 7   | I   | DSP frame sync input. Indication of the start of a serial data frame. Tie this terminal to $V_{\text{DD}}$ if not used.   |
| GND                    | 3   | I   | Ground return for the internal circuitry. Unless otherwise noted, all voltage measurements are with respect to GND.   |
| SCLK                   | 5   | I   | Output serial clock. This terminal receives the serial SCLK from the host processor.  |
| SDO                    | 8   | O   | The 3-state serial output for the A/D conversion result. SDO is kept in the high-impedance state until $\overline{\text{CS}}$ falling edge or FS rising edge, whichever occurs first. The output format is MSB first.<br>When FS is not used ( $\text{FS} = 1$ at the falling edge of $\overline{\text{CS}}$ ), the MSB is presented to the SDO pin after $\overline{\text{CS}}$ falling edge and output data is valid on the first falling edge of SCLK.<br>When $\overline{\text{CS}}$ and FS are both used ( $\text{FS} = 0$ at the falling edge of $\overline{\text{CS}}$ ), the MSB is presented to the SDO pin after the falling edge of $\overline{\text{CS}}$ . When $\overline{\text{CS}}$ is tied/held low, the MSB is presented on SDO after rising FS. Output data is valid on the first falling edge of SCLK. (This is typically used with an active FS from a DSP.) |
| $V_{\text{DD}}$        | 6   | I   | Positive supply voltage   |
| $V_{\text{REF}}$       | 2   | I   | External reference input  |

### TLC2552/55

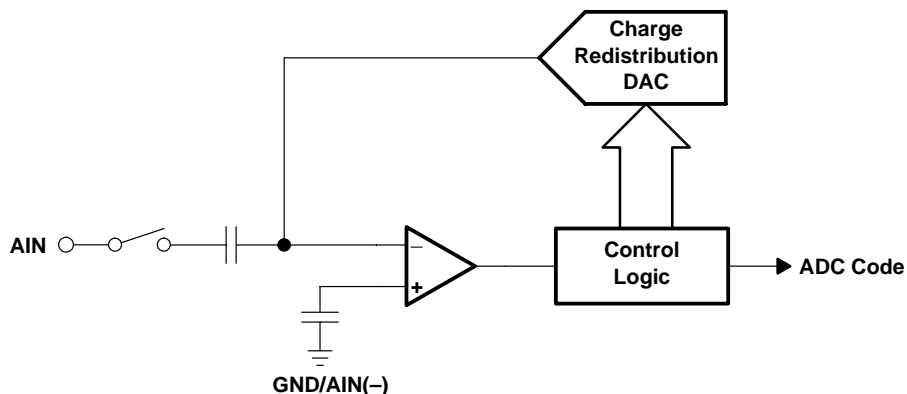
| TERMINAL               |     | I/O | DESCRIPTION   |
|------------------------|-----|-----|---|
| NAME                   | NO. |     |   |
| AIN0 /AIN(+)           | 4   | I   | Analog input channel 0 for TLC2552—Positive input for TLC2555   |
| AIN1/AIN(–)            | 5   | I   | Analog input channel 1 for TLC2552—Inverted input for TLC2555   |
| $\overline{\text{CS}}$ | 1   | I   | Chip select. A high-to-low transition on $\overline{\text{CS}}$ removes SDO from 3-state within a maximum delay time. This pin can be connected to the FS output from a DSP on a dedicated serial port.   |
| GND                    | 3   | I   | Ground return for the internal circuitry. Unless otherwise noted, all voltage measurements are with respect to GND.   |
| SCLK                   | 7   | I   | Output serial clock. This terminal receives the serial SCLK from the host processor.  |
| SDO                    | 8   | O   | The 3-state serial output for the A/D conversion result. SDO is kept in the high-impedance state when $\overline{\text{CS}}$ is high and presents output data after the $\overline{\text{CS}}$ falling edge until the LSB is presented. The output format is MSB first. SDO returns to the Hi-Z state after the 16th SCLK. Output data is valid on the falling SCLK edge. |
| $V_{\text{DD}}$        | 6   | I   | Positive supply voltage   |
| $V_{\text{REF}}$       | 2   | I   | External reference input  |

### detailed description

The TLC2551, TLC2552, and TLC2555 are successive approximation (SAR) ADCs utilizing a charge redistribution DAC. Figure 1 shows a simplified version of the ADC.

The sampling capacitor acquires the signal on AIN during the sampling period. When the conversion process starts, the SAR control logic and charge redistribution DAC are used to add and subtract fixed amounts of charge from the sampling capacitor to bring the comparator into a balanced condition. When the comparator is balanced, the conversion is complete and the ADC output code is generated.

**detailed description (continued)**



**Figure 1. Simplified SAR Circuit**

**serial interface**

| OUTPUT DATA FORMAT           |            |
|------------------------------|------------|
| MSB                          | LSB        |
| D15–D4                       | D3–D0      |
| Conversion result (OD11–OD0) | Don't care |

The output data format is binary (unipolar straight binary).

**binary**

Zero-scale code = 000h,  $V_{code} = GND$   
 Full-scale code = FFFh,  $V_{code} = V_{REF} - 1 \text{ LSB}$

**pseudo-differential inputs**

The TLC2555 operates in pseudo-differential mode. The inverted input is available on pin 5. It can have a maximum input ripple of  $\pm 0.2 \text{ V}$ . This is normally used for ground noise rejection.

**control and timing**

**start of the cycle**

Each cycle may be started by either  $\overline{CS}$ , FS, or a combination of both. The internal state machine requires one SCLK high-to-low transition to determine the state of these control signals so internal blocks can be powered up in an active cycle. Special care to SPI mode is necessary. Make sure there is at least one SCLK whenever  $\overline{CS}$  (pin 1) is high to assure proper operation.

**TLC2551**

- Control via  $\overline{CS}$  (FS = 1 at the falling edge of  $\overline{CS}$ )—The falling edge of  $\overline{CS}$  is the start of the cycle. The MSB may be read on the first falling SCLK edge after  $\overline{CS}$  is low. Output data changes on the rising edge of SCLK. This is typically used for a microcontroller with an SPI interface, although it can also be used for a DSP. The microcontroller SPI interface may be programmed for CPOL = 0 (serial clock referenced to ground) and CPHA = 1 (data is valid on the falling edge of serial clock). At least one falling edge transition on SCLK is needed whenever  $\overline{CS}$  is brought high.
- Control via FS—The MSB is presented after the rising edge of FS. The falling edge of FS starts the cycle. The MSB may be read on the first falling edge of SCLK after FS is low. This is the typical configuration when the ADC is the only device on the DSP serial port.

### control and timing (continued)

- Control via both  $\overline{CS}$  and FS—The MSB is presented after the falling edge of  $\overline{CS}$ . The falling edge of FS starts the sampling cycle. The MSB may be read on the first falling SCLK edge after FS is low. Output data changes on the rising edge of SCLK. This control via  $\overline{CS}$  and FS is typically used for multiple devices connected to a TMS320 DSP.

#### TLC2552 and TLC2555

All control is provided using  $\overline{CS}$  (pin 1) on the TLC2552 and TLC2555. The cycle starts on the falling edge transition provided by either a  $\overline{CS}$  signal from an SPI microcontroller or FS signal from a TMS320 DSP. Timing is similar to the TLC2551, with control via  $\overline{CS}$  only.

### TLC2552 channel MUX reset cycle

The TLC2552 uses  $\overline{CS}$  to reset the analog input multiplexer (MUX). A short active  $\overline{CS}$  cycle (4 to 7 SCLKs) resets the MUX to AIN0. When the  $\overline{CS}$  cycle time is greater than 7 SCLKs in duration, as is the case for a complete conversion cycle, ( $\overline{CS}$  is low for 16 SCLKs plus maximum conversion time), the MUX toggles to the next channel (see Figure 4 for timing).

### sampling

The converter sample time is 12 SCLKs in duration, beginning on the fifth SCLK received after the converter has received a high-to-low  $\overline{CS}$  transition (or a high-to-low FS transition for the TLC2551).

### conversion

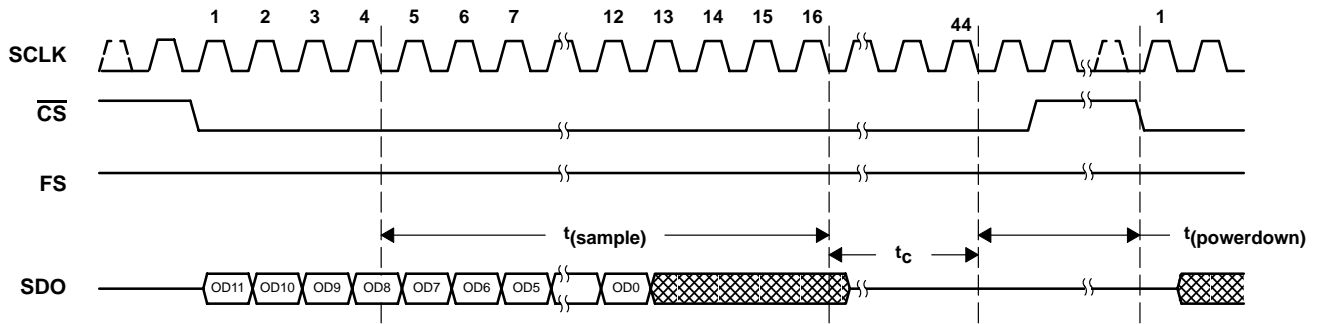
The TLC2551, TLC2552, and TLC2555 completes conversion in the following manner. The conversion starts after the 16th SCLK falling edge during the cycle and requires 28 SCLKs to complete. Enough time for conversion should be allowed before a rising  $\overline{CS}$  or FS edge so that no conversion is terminated prematurely.

TLC2552 input channel selection is toggled on each rising  $\overline{CS}$  edge. The MUX channel can be reset to AIN0 via  $\overline{CS}$  as described earlier and in Figure 4. The input is sampled for 12 SCLKs and converted. The result is presented on SDO during the next cycle. Care should also be taken to allow enough time between samples to avoid prematurely terminating the cycle, which occurs on a rising  $\overline{CS}$  transition if the conversion is not complete.

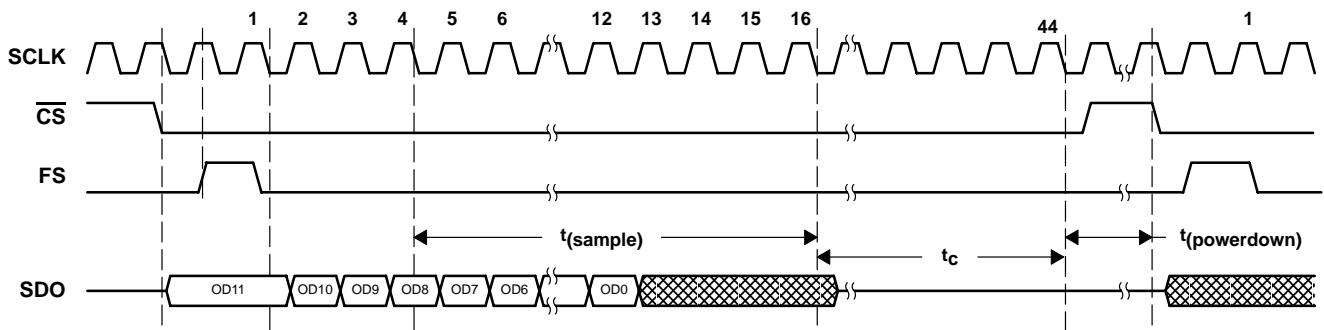
The SDO data presented during a cycle is the result of the conversion of the sample taken during the previous cycle.

**TLC2551, TLC2552, TLC2555**  
**5-V, LOW-POWER, 12-BIT, 175/360 KSPS,**  
**SERIAL ANALOG-TO-DIGITAL CONVERTERS WITH AUTOPOWER DOWN**  
 SLAS276D – MARCH 2000 – REVISED MAY 2003

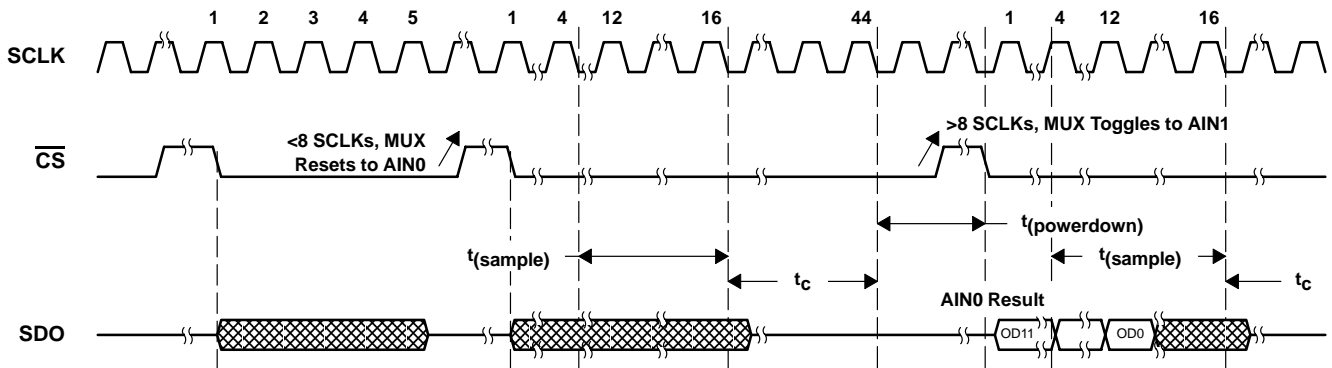
**timing diagrams/conversion cycles**



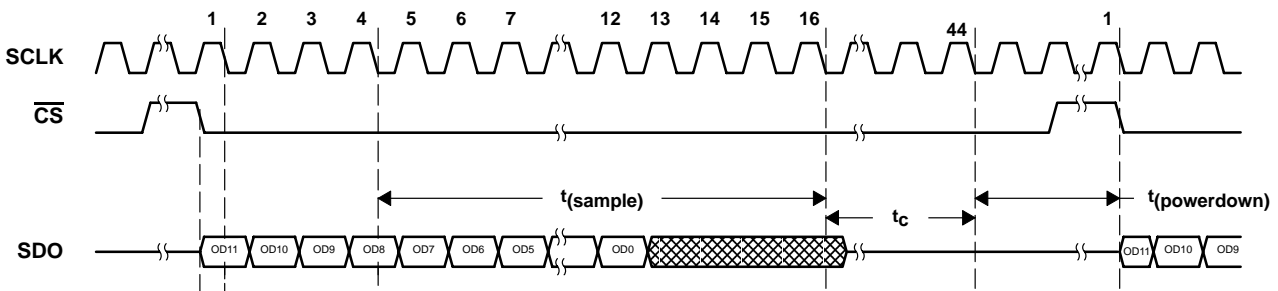
**Figure 2. TLC2551 Timing: Control via  $\overline{CS}$  (FS = 1)**



**Figure 3. TLC2551 Timing: Control via  $\overline{CS}$  and FS or FS Only**



**Figure 4. TLC2552 Reset Timing**



**Figure 5. TLC2552 and TLC2555 Timing**



### using $\overline{CS}$ as the FS input

When interfacing the TLC2551 with the TMS320 DSP, the FSR signal from the DSP may be connected to the  $\overline{CS}$  input if this is the only device on the serial port. This connection saves one output terminal from the DSP. (Output data changes on the falling edge of SCLK. This is the default configuration for the TLC2552 and TLC2555).

### SCLK and conversion speed

The SCLK input can range in frequency from 100 kHz to 20 MHz. The required number of conversion clocks is 14. The conversion clock for the ADC is SCLK/2 which translates to 28 SCLK cycles to perform a conversion. For a 15-MHz SCLK, the minimum total cycle time is given by:  $16x(1/15\text{ M})+14x(1/7.5\text{ M})+1\text{ SCLK} = 3.0\ \mu\text{s}$ . An additional SCLK is added to account for the required  $\overline{CS}$  or FS high time. These times specify the minimum cycle time for an active  $\overline{CS}$  or FS signal. If violated, the conversion terminates, invalidating the next data output cycle. Table 1 gives the maximum SCLK frequency for a given operational mode.

### control via pin 1 ( $\overline{CS}$ , SPI interface)

All devices are compatible with this mode of operation. A falling  $\overline{CS}$  initiates the cycle. (For TLC2551, the FS input is tied to  $V_{DD}$ .)  $\overline{CS}$  remains low for the entire cycle time (sample + convert + 1 SCLK) and can then be released.

**NOTE:**

IMPORTANT: A single SCLK is required whenever  $\overline{CS}$  is high.

### control via pin 1 ( $\overline{CS}$ , DSP interface)

All devices are compatible with this mode of operation. The FS signal from a DSP is connected directly to the  $\overline{CS}$  input of the ADC. A falling edge on the  $\overline{CS}$  input initiates the cycle. (For TLC2551, the FS input can be tied to  $V_{DD}$ , although better performance can be achieved by using the FS input for control. Refer to the *control via pin 1 and pin 7 ( $\overline{CS}$  and FS or FS only, DSP interface)* section. The  $\overline{CS}$  input should remain low for the entire cycle time (sample + convert + 1 SCLK) and can then be released.

**NOTE:**

IMPORTANT: A single SCLK is required whenever  $\overline{CS}$  is high. This requirement is usually of little consequence since SCLK is normally always present when interfacing with a DSP.

### control via pin 1 and pin 7 ( $\overline{CS}$ and FS or FS only, DSP interface)

Only the TLC2551 is compatible with this mode of operation. The  $\overline{CS}$  input to the ADC can be controlled via a general-purpose I/O pin from the DSP. The FS signal from the DSP is connected directly to the FS input of the ADC. A falling edge on  $\overline{CS}$ , if used, releases the MSB on the SDO output. When  $\overline{CS}$  is not used, the rising FS edge releases the MSB. The falling edge on the FS input while SCLK is high initiates the cycle. The  $\overline{CS}$  and FS inputs should remain low for the entire cycle time (sample + convert + 1 SCLK) and can then be released.

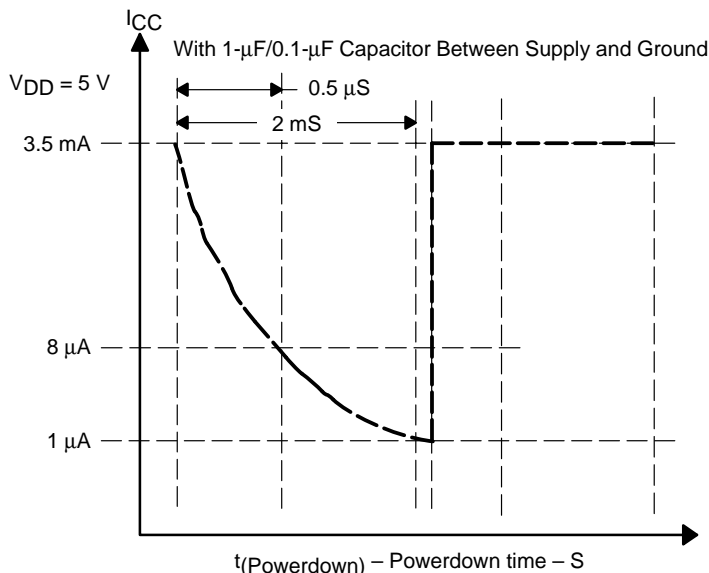
### reference voltage

An external reference is applied via  $V_{REF}$ . The voltage level applied to this pin establishes the upper limit of the analog inputs to produce a full-scale reading. The value of  $V_{REF}$  and the analog input must not exceed the positive supply or be less than GND, consistent with the specified absolute maximum ratings. The digital output is at full scale when the input signal is equal to or higher than  $V_{REF}$  and at zero when the input signal is equal to or lower than GND.

### powerdown and powerup

Autopower down is built into these devices in order to reduce power consumption. The actual power savings depends on the inactive time between cycles and the power supply (loading) decoupling/storage capacitors. *Power-down takes effect immediately after the conversion is complete.* This is fast enough to provide some power savings between cycles with longer than 1 SCLK inactive time. *The device power goes down to 8  $\mu\text{A}$  within 0.5  $\mu\text{s}$ .* To achieve the lowest power-down current (*deep powerdown*) of 1  $\mu\text{A}$  requires 2-ms inactive time between cycles. The power-down state is initiated at the end of conversion. These devices wake up *immediately* at the next falling edge of  $\overline{CS}$  or the rising edge of FS.

**TLC2551, TLC2552, TLC2555**  
**5-V, LOW-POWER, 12-BIT, 175/360 KSPS,**  
**SERIAL ANALOG-TO-DIGITAL CONVERTERS WITH AUTOPOWER DOWN**  
 SLAS276D – MARCH 2000 – REVISED MAY 2003



**Table 1. Modes of Operation and Data Throughput**

| CONTROL PIN(s)/DEVICE                    | MAX SCLK (MHz)<br>(50/50 duty cycle)<br>V <sub>DD</sub> = 4.5 V | APPROXIMATE CONVERSION<br>THROUGHPUT (ksp/s)<br>V <sub>DD</sub> = 4.5 V |
|--|---|---|
| <b>CS control only (TLC2551 only)</b>    |   |   |
| For SPI†                                 | 15  | 333   |
| DSP interface‡                           | 8   | 175   |
| <b>CS and FS control (TLC2551 only)§</b> |   |   |
| DSP interface                            | 20  | 400   |

† See Figure 21(a).  
 ‡ See Figure 21(b).  
 § See Figure 21(c).

**absolute maximum ratings over operating free-air temperature (unless otherwise noted)¶**

- Supply voltage range, GND to V<sub>DD</sub> ..... -0.3 V to 6.5 V
- Analog input voltage range ..... -0.3 V to V<sub>DD</sub> + 0.3 V
- Reference input voltage ..... V<sub>DD</sub> + 0.3 V
- Digital input voltage range ..... -0.3 V to V<sub>DD</sub> + 0.3 V
- Operating virtual junction temperature range, T<sub>J</sub> ..... -40°C to 150°C
- Operating free-air temperature range, T<sub>A</sub>: C ..... 0°C to 70°C
- I ..... -40°C to 85°C
- Storage temperature range, T<sub>stg</sub> ..... -65°C to 150°C
- Lead temperature 1,6 mm (1/16 inch) from case for 10 seconds ..... 260°C

¶ Stresses beyond those listed under “absolute maximum ratings” may cause permanent damage to the device. These are stress ratings only, and functional operation of the device at these or any other conditions beyond those indicated under “recommended operating conditions” is not implied. Exposure to absolute-maximum-rated conditions for extended periods may affect device reliability.





**TLC2551, TLC2552, TLC2555**  
**5-V, LOW-POWER, 12-BIT, 175/360 KSPS,**  
**SERIAL ANALOG-TO-DIGITAL CONVERTERS WITH AUTOPOWER DOWN**

SLAS276D – MARCH 2000 – REVISED MAY 2003

**recommended operating conditions**

|  |  | MIN  | NOM  | MAX      | UNIT          |
|--|--|------|------|----------|---------------|
| Supply voltage, $V_{DD}$   |  | 4.5  | 5    | 5.5      | V             |
| Positive external reference voltage input, $V_{REFP}$ (see Note 1)   |  | 2    |      | $V_{DD}$ | V             |
| Analog input voltage (see Note 1)  |  | 0    |      | $V_{DD}$ | V             |
| High level control input voltage, $V_{IH}$   |  | 2.1  |      |          | V             |
| Low-level control input voltage, $V_{IL}$  |  |      |      | 0.6      | V             |
| Setup time, $\overline{CS}$ falling edge before first SCLK falling edge, $t_{su}(CSL-SCLKL)$   | $V_{DD} = REF = 4.5\text{ V}$              | 40   |      |          | ns            |
| Hold time, $\overline{CS}$ falling edge after SCLK falling edge, $t_h(SCLKL-CSL)$  |  | 5    |      |          | ns            |
| Delay time, delay from $\overline{CS}$ falling edge to FS rising edge $t_d(CSL-FSH)$ (TLC2551 only)  |  | 0.5  |      | 7        | SCLKs         |
| Setup time, FS rising edge before SCLK falling edge, $t_{su}(FSH-SCLKL)$ (TLC2551 only)  |  | 0.35 |      |          | SCLKs         |
| Hold time, FS hold high after SCLK falling edge, $t_h(SCLKL-FSL)$ (TLC2551 only)   |  |      |      | 0.65     | SCLKs         |
| Pulse width $\overline{CS}$ high time, $t_w(H\_CS)$  |  | 100  |      |          | ns            |
| Pulse width FS high time, $t_w(H\_FS)$ (TLC2551 only)  |  | 0.75 |      |          | SCLKs         |
| SCLK cycle time, $V_{DD} = 5.5\text{ V to }4.5\text{ V}$ , $t_c(SCLK)$ (maximum tolerance of 40/60 duty cycle)                             |  | 50   |      | 10000    | ns            |
| Pulse width low time, $t_w(L\_SCLK)$   |  | 0.4  |      | 0.6      | SCLKs         |
| Pulse width high time, $t_w(H\_SCLK)$  |  | 0.4  |      | 0.6      | SCLKs         |
| Hold time, hold from end of conversion to $\overline{CS}$ high, $t_h(EOC-CSH)$ (EOC is internal, indicates end of conversion time, $t_c$ ) |  |      | 0.05 |          | $\mu\text{s}$ |
| Active $\overline{CS}$ cycle time to reset internal MUX to AIN0, $t_{(Reset\ cycle)}$ (TLC2552 only)                                       |  | 4    |      | 7        | SCLKs         |
| Delay time, delay from $\overline{CS}$ falling edge to SDO valid, $t_d(CSL-SDOV)$  | $V_{DD} = REF = 4.5\text{ V}$ , 25-pF load |      |      | 40       | ns            |
| Delay time, delay from FS falling edge to SDO valid, $t_d(FSL-SDOV)$ (TLC2551 only)  | $V_{DD} = REF = 4.5\text{ V}$ , 25-pF load |      |      | 1        | ns            |
| Delay time, delay from SCLK rising edge to SDO valid, $t_d(SCLKH-SDOV)$  | $V_{DD} = REF = 4.5\text{ V}$ , 25-pF load |      |      | 11       | ns            |
| Delay time, delay from 17th SCLK rising edge to SDO 3-state, $t_d(SCLK17H-SDOZ)$   | $V_{DD} = REF = 4.5\text{ V}$ , 25-pF load |      |      | 30       | ns            |
| Conversion time, $t_c$   |  |      | 28   |          | SCLKs         |
| Sampling time, $t_{(sample)}$  | See Note 2                                 | 300  |      |          | ns            |
| Operating free-air temperature, $T_A$  | TLC2551/2/5C                               | 0    |      | 70       | °C            |
|  | TLC2551/2/5I                               | -40  |      | 85       |               |

- NOTES: 1. Analog input voltages greater than that applied to  $V_{REF}$  convert as all ones (111111111111), while input voltages less than that applied to GND convert as all zeros(000000000000).
2. Minimal  $t_{(sample)}$  is given by  $0.9 \times 50\text{ pF} \times (R_S + 0.5\text{ k}\Omega)$ , where  $R_S$  is the source output impedance.



**TLC2551, TLC2552, TLC2555**  
**5-V, LOW-POWER, 12-BIT, 175/360 KSPS,**  
**SERIAL ANALOG-TO-DIGITAL CONVERTERS WITH AUTOPOWER DOWN**

SLAS276D – MARCH 2000 – REVISED MAY 2003

**electrical characteristics over recommended operating free-air temperature range,**  
 **$V_{DD} = V_{REF} = 4.5\text{ V to }5.5\text{ V}$ , (unless otherwise noted)**

| PARAMETER                 |  | TEST CONDITIONS   | MIN | TYP†   | MAX  | UNIT          |
|---------------------------|--|---|-----|--------|------|---------------|
| $V_{OH}$                  | High-level output voltage  | $V_{DD} = 5.5\text{ V}$ , $I_{OH} = -0.2\text{ mA}$ at 30-pF load   | 2.4 |        |      | V             |
| $V_{OL}$                  | Low-level output voltage   | $V_{DD} = 5.5\text{ V}$ , $I_{OL} = 0.8\text{ mA}$ at 30-pF load  |     |        | 0.4  | V             |
| $I_{OZ}$                  | Off-state output current (high-impedance-state)                    | $V_O = V_{DD}$  |     | 1      | 2.5  | $\mu\text{A}$ |
|                           |  | $V_O = 0$   |     | -1     | -2.5 |               |
| $I_{IH}$                  | High-level input current   | $V_I = V_{DD}$  |     | 0.005  | 2.5  | $\mu\text{A}$ |
| $I_{IL}$                  | Low-level input current  | $V_I = 0\text{ V}$  |     | -0.005 | 2.5  | $\mu\text{A}$ |
| $I_{CC}$                  | Operating supply current   | $\overline{CS}$ at 0 V, $V_{DD} = 4.5\text{ V to }5.5\text{ V}$   |     | 3      | 3.5  | mA            |
| $I_{CC}(\text{AUTOPWDN})$ | Autopower-down current $t(\text{powerdown}) \geq 0.5\ \mu\text{s}$ | For all digital inputs, $0 \leq V_I \leq 0.3\text{ V}$ or $V_I \geq V_{DD} - 0.3\text{ V}$ , $SCLK = 0$ , $V_{DD} = 4.5\text{ V to }5.5\text{ V}$ , Ext ref |     |        | 8    | $\mu\text{A}$ |
|                           | Deep autopower-down current $t(\text{powerdown}) \geq 2\text{ ms}$ |   |     |        | 1    |               |
|                           | Selected analog input channel leakage current                      | Selected channel at $V_{DD}$  |     |        | 1    | $\mu\text{A}$ |
|                           |  | Selected channel at 0 V   |     |        | -1   |               |
| $C_i$                     | Input capacitance  | Analog inputs   | 20  | 45     | 50   | pF            |
|                           |  | Control Inputs  |     | 5      | 25   |               |
|                           | Input on resistance  | $V_{DD} = 5.5\text{ V}$   |     |        | 500  | $\Omega$      |

† All typical values are at  $V_{DD} = 5\text{ V}$ ,  $T_A = 25^\circ\text{C}$ .



**TLC2551, TLC2552, TLC2555**  
**5-V, LOW-POWER, 12-BIT, 175/360 KSPS,**  
**SERIAL ANALOG-TO-DIGITAL CONVERTERS WITH AUTOPOWER DOWN**

SLAS276D – MARCH 2000 – REVISED MAY 2003

**ac specifications ( $f_i = 20$  kHz)**

| PARAMETER           |                                    | TEST CONDITIONS                    | MIN | TYP  | MAX | UNIT |
|---------------------|------------------------------------|------------------------------------|-----|------|-----|------|
| SINAD               | Signal-to-noise ratio + distortion | 400 KSPS, $V_{DD} = V_{REF} = 5$ V | 70  | 72   |     | dB   |
| THD                 | Total harmonic distortion          | 400 KSPS, $V_{DD} = V_{REF} = 5$ V |     | -84  | -80 | dB   |
| ENOB                | Effective number of bits           | 400 KSPS, $V_{DD} = V_{REF} = 5$ V |     | 11.8 |     | bits |
| SFDR                | Spurious free dynamic range        | 400 KSPS, $V_{DD} = V_{REF} = 5$ V |     | -84  | -80 | dB   |
| <b>Analog Input</b> |                                    |                                    |     |      |     |      |
|                     | Full-power bandwidth, -3 dB        |                                    |     | 1    |     | MHz  |
|                     | Full-power bandwidth, -1 dB        |                                    |     | 500  |     | kHz  |

**external reference specifications**

| PARAMETER                   | TEST CONDITIONS             | MIN                                 | TYP | MAX      | UNIT       |
|-----------------------------|-----------------------------|-------------------------------------|-----|----------|------------|
| Reference input voltage     | $V_{DD} = 4.5$ V to $5.5$ V | 2                                   |     | $V_{DD}$ | V          |
| Reference input impedance   | $V_{DD} = 5.5$ V            | $\overline{CS} = 1$ , SCLK = 0      | 100 |          | M $\Omega$ |
|                             |                             | $\overline{CS} = 0$ , SCLK = 20 MHz | 20  | 25       | k $\Omega$ |
| Reference current           | $V_{DD} = V_{REF} = 5.5$ V  |                                     | 100 | 400      | $\mu$ A    |
| Reference input capacitance | $V_{DD} = V_{REF} = 5.5$ V  | $\overline{CS} = 1$ , SCLK = 0      | 5   | 15       | pF         |
|                             |                             | $\overline{CS} = 0$ , SCLK = 20 MHz | 20  | 45       |            |
| $V_{REF}$                   | Reference voltage           | $V_{DD} = 4.5$ V to $5.5$ V         |     | $V_{DD}$ | V          |

**dc specification,  $V_{DD} = V_{REF} = 4.5$  V to  $5.5$  V, SCLK frequency = 20 MHz (unless otherwise noted)**

| PARAMETER | TEST CONDITIONS                       | MIN        | TYP        | MAX       | UNIT |
|-----------|---------------------------------------|------------|------------|-----------|------|
| INL       | Integral linearity error (see Note 4) |            | $\pm 0.6$  | $\pm 1$   | LSB  |
| DNL       | Differential linearity error          | See Note 3 | $\pm 0.5$  | $\pm 1$   | LSB  |
| $E_O$     | Offset error (see Note 5)             | See Note 3 | TLC2551/52 | $\pm 1.5$ | LSB  |
|           |                                       |            | TLC2555    | $\pm 2.5$ |      |
| $E_G$     | Gain error (see Note 5)               | See Note 3 | TLC2551/52 | $\pm 2$   | LSB  |
|           |                                       |            | TLC2555    | $\pm 5$   |      |
| $E_t$     | Total unadjusted error (see Note 6)   | See Note 3 | TLC2551/52 | $\pm 2$   | LSB  |
|           |                                       |            | TLC2555    | $\pm 5$   |      |

- NOTES: 3. Analog input voltages greater than that applied to  $V_{REF}$  convert as all ones (111111111111).  
4. Linear error is the maximum deviation from the best straight line through the A/D transfer characteristics.  
5. Zero error is the difference between 000000000000 and the converted output for zero input voltage; full-scale error is the difference between 111111111111 and the converted output for full-scale input voltage.  
6. Total unadjusted error comprises linearity, zero, and full-scale errors.



PARAMETER MEASUREMENT INFORMATION

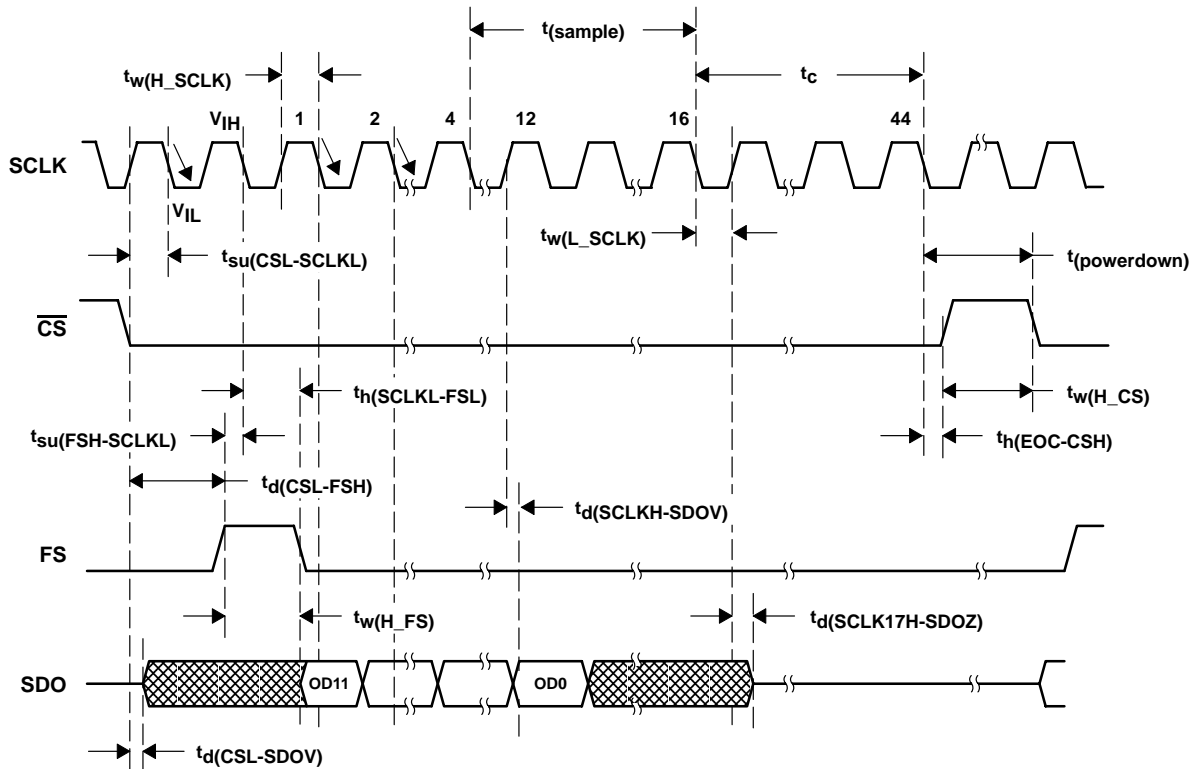


Figure 6. TLC2551 Critical Timing (Control via  $\overline{CS}$  and FS or FS only)

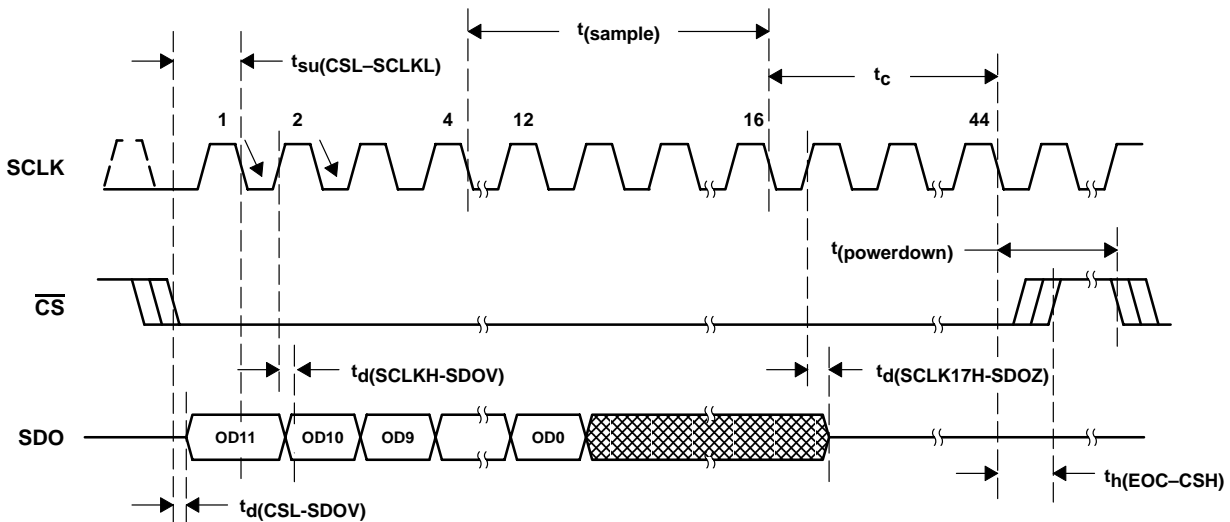
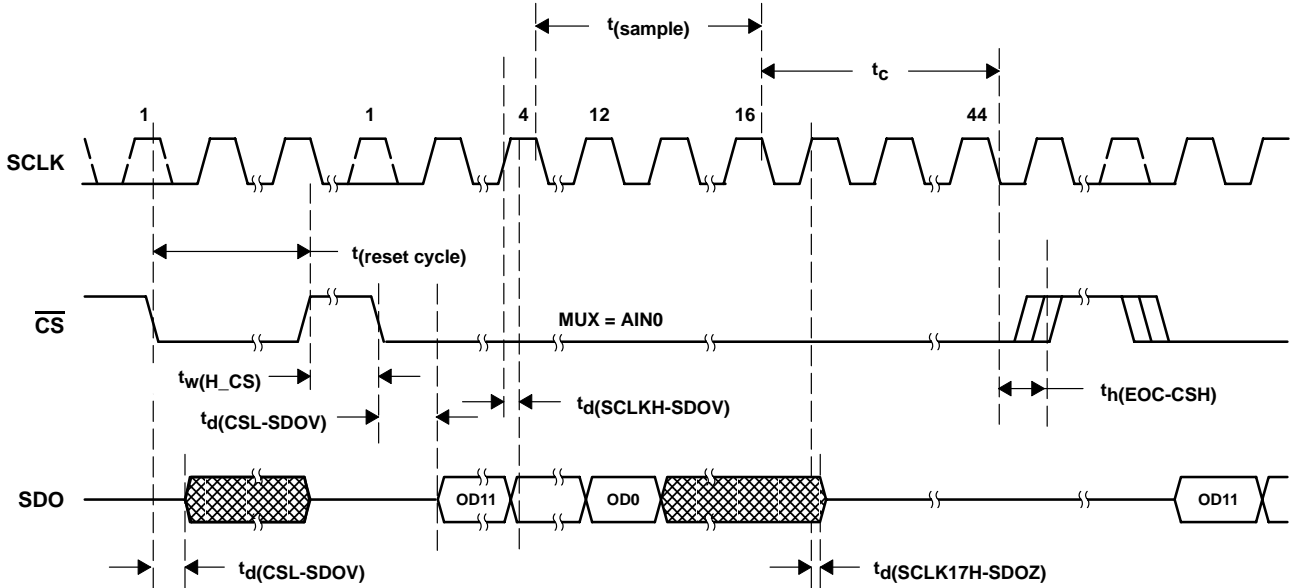
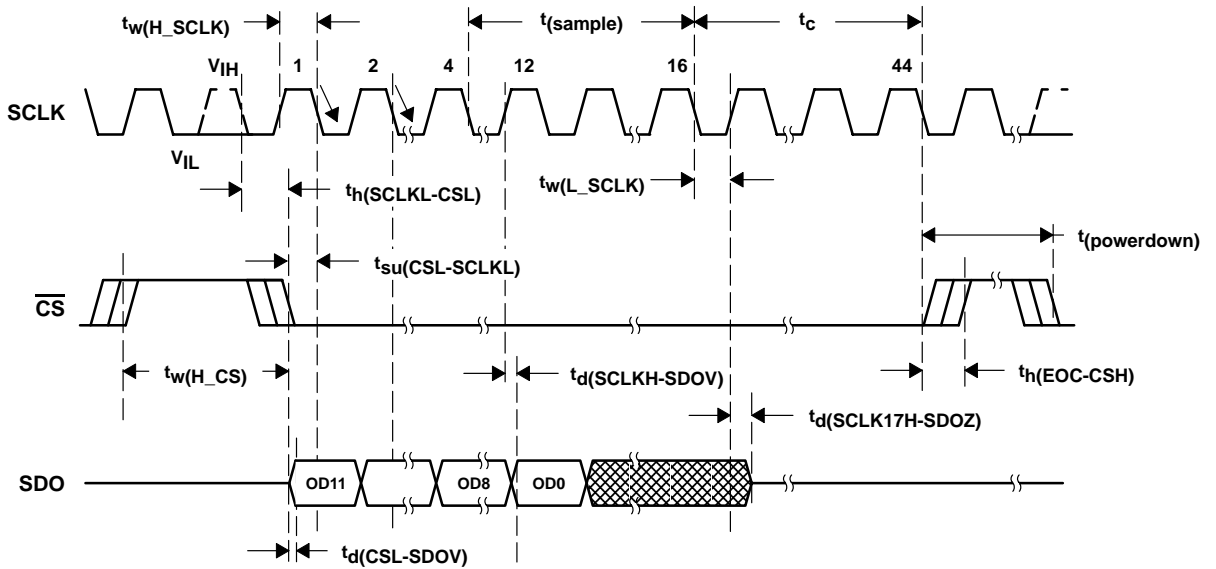


Figure 7. TLC2551 Critical Timing (Control via  $\overline{CS}$  only, FS = 1)

**PARAMETER MEASUREMENT INFORMATION**



**Figure 8. TLC2552 Reset Cycle Critical Timing**



**Figure 9. TLC2552 and TLC2555 Conversion Cycle Critical Timing**

TYPICAL CHARACTERISTICS

INTEGRAL NONLINEARITY  
 vs  
 FREE-AIR TEMPERATURE

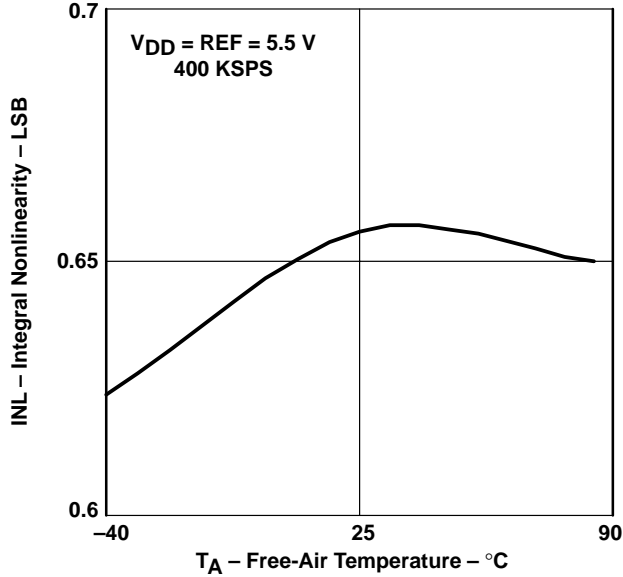


Figure 10

DIFFERENTIAL NONLINEARITY  
 vs  
 FREE-AIR TEMPERATURE

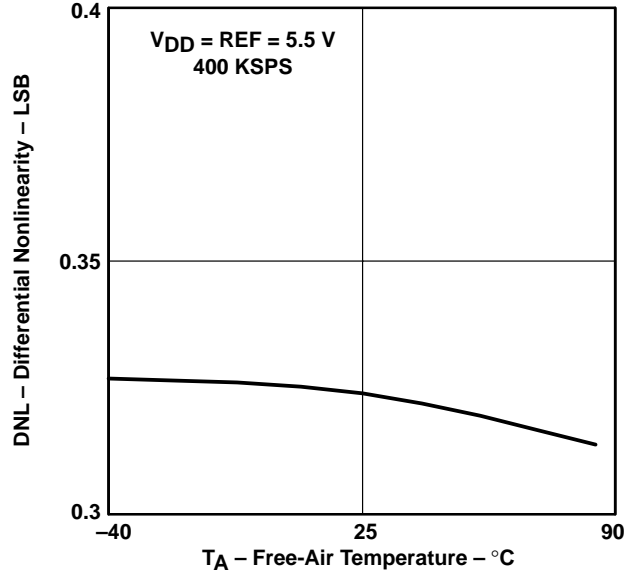


Figure 11

OFFSET ERROR  
 vs  
 FREE-AIR TEMPERATURE

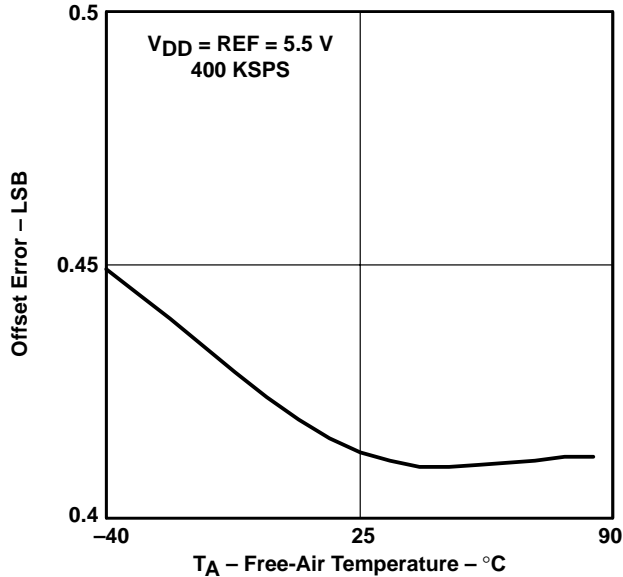


Figure 12

GAIN ERROR  
 vs  
 FREE-AIR TEMPERATURE

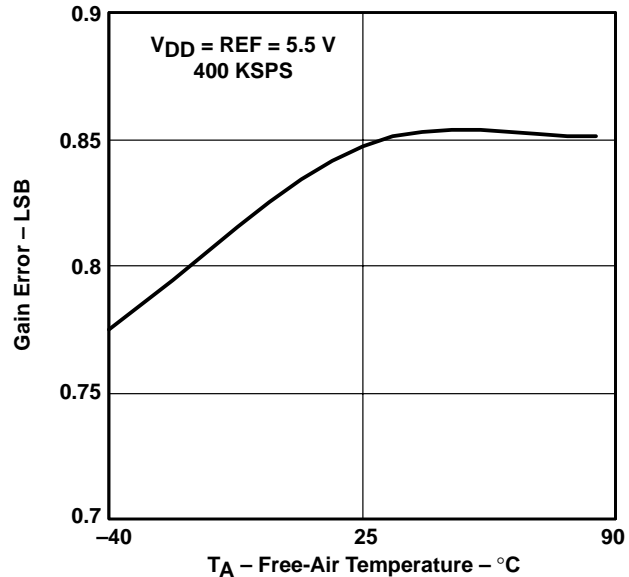


Figure 13

TYPICAL CHARACTERISTICS

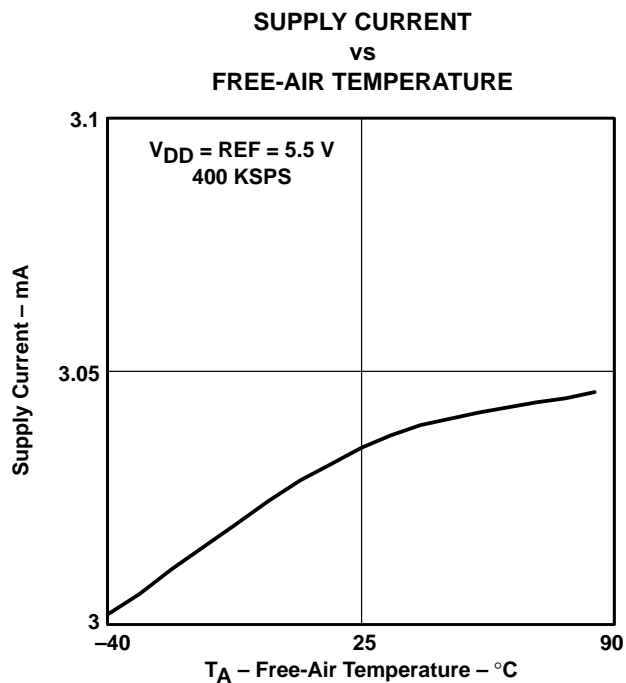


Figure 14

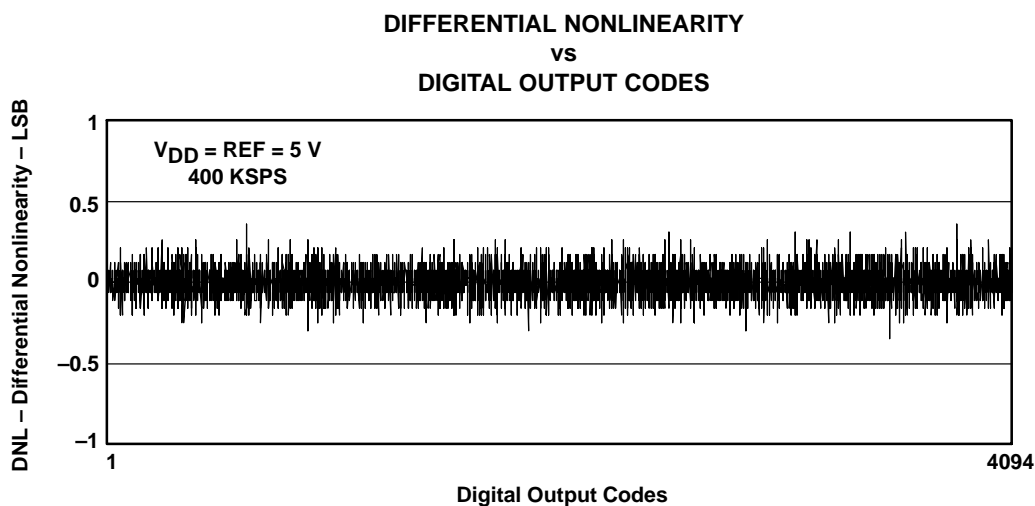


Figure 15

TYPICAL CHARACTERISTICS

INTEGRAL NONLINEARITY  
vs  
DIGITAL OUTPUT CODES

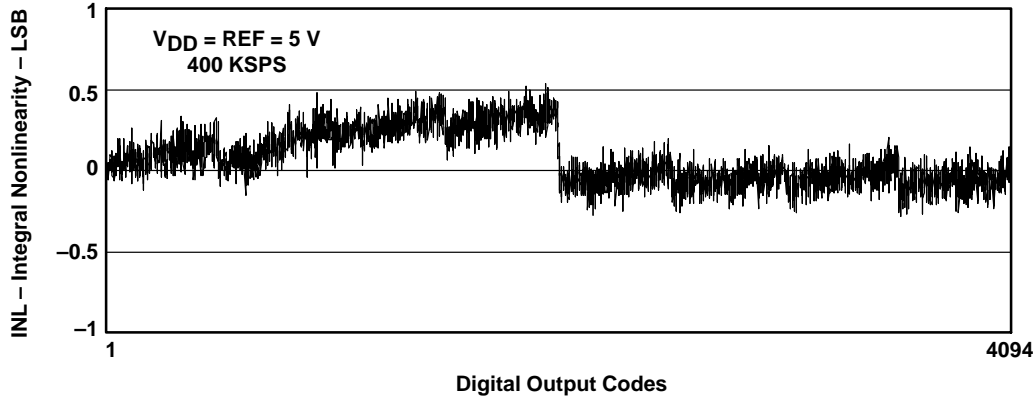


Figure 16

2048 POINTS FAST FOURIER TRANSFORM (FFT)

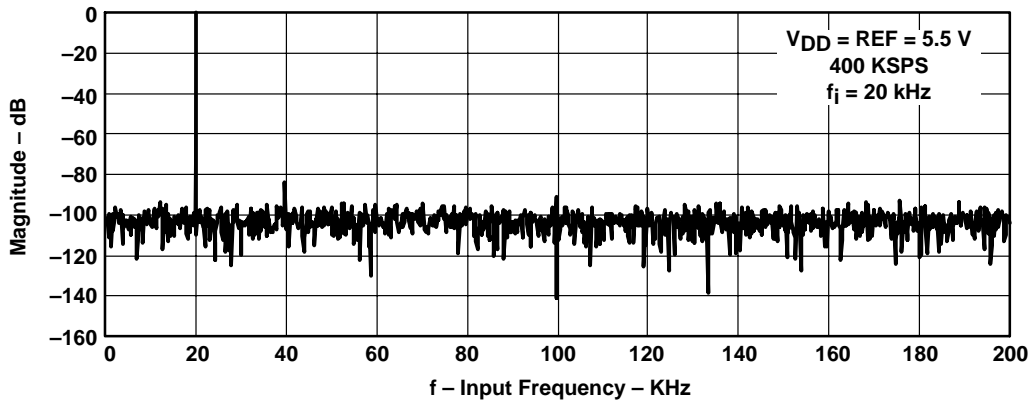
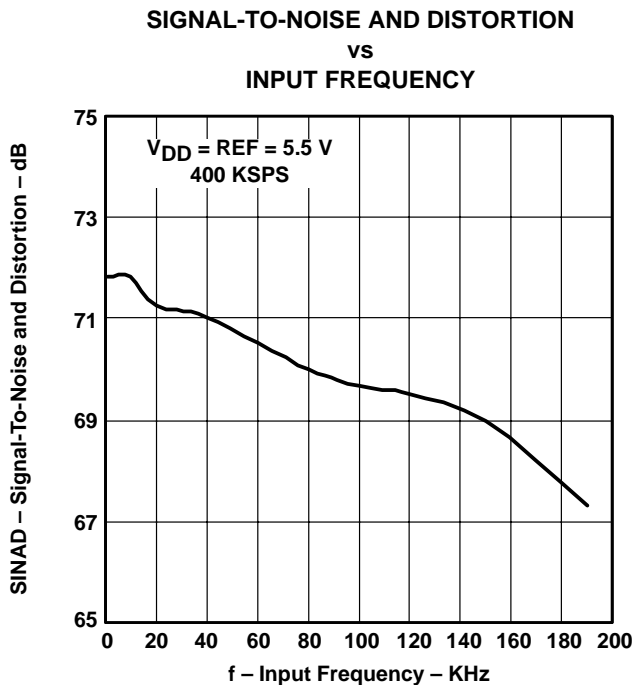


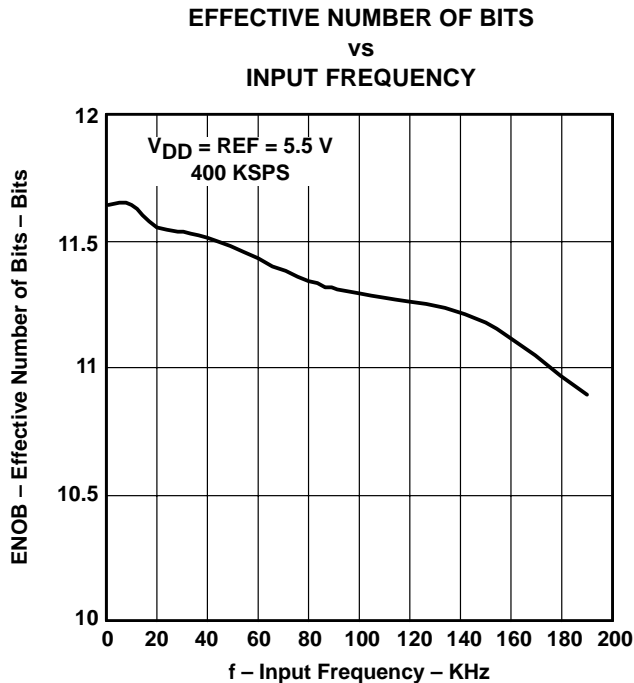
Figure 17



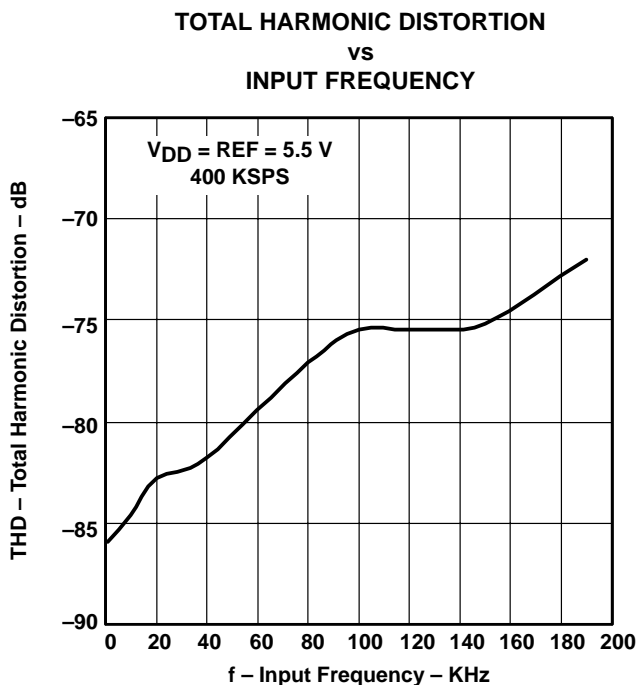
**TYPICAL CHARACTERISTICS**



**Figure 18**



**Figure 19**



**Figure 20**

APPLICATION INFORMATION

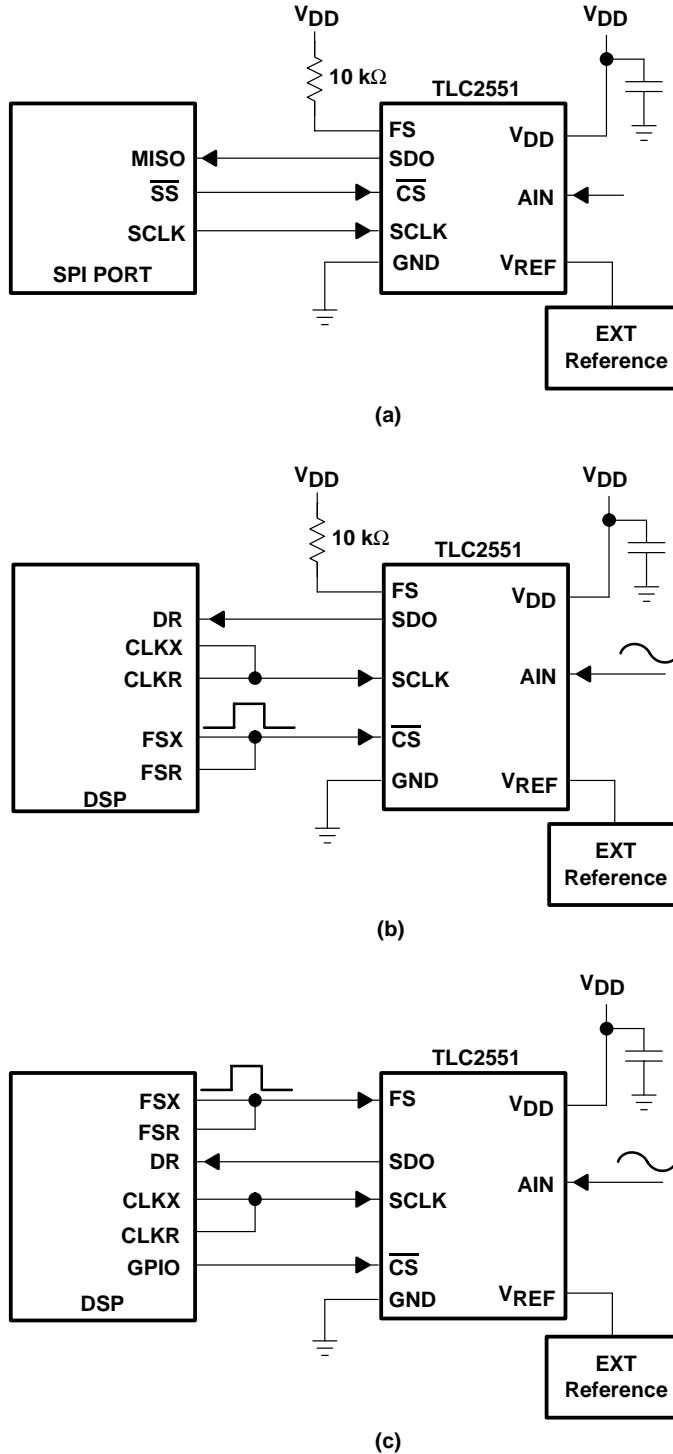
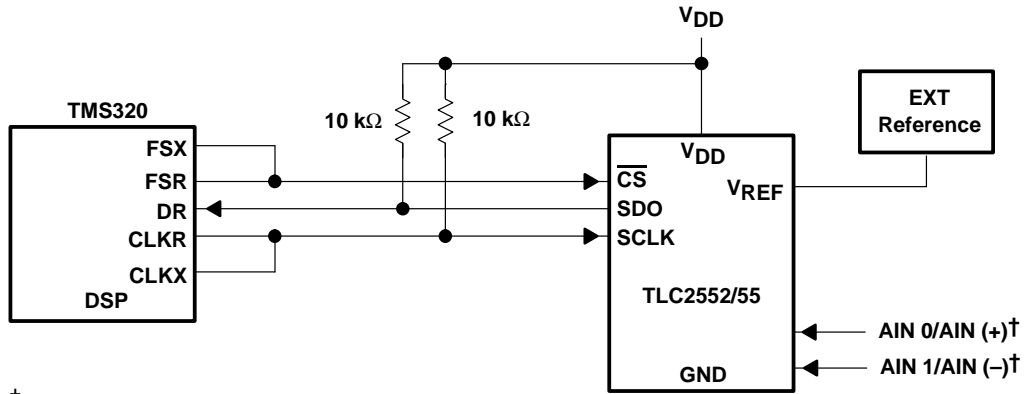


Figure 21. Typical TLC2551 Interface to a TMS320 DSP

APPLICATION INFORMATION



† For TLC2555 only

Figure 22. Typical TLC2552/55 Interface to a TMS320 DSP

**PACKAGING INFORMATION**

| Orderable Device | Status<br>(1) | Package Type | Package<br>Drawing | Pins | Package<br>Qty | Eco Plan<br>(2)            | Lead/Ball Finish<br>(6) | MSL Peak Temp<br>(3) | Op Temp (°C) | Device Marking<br>(4/5) | Samples                 |
|------------------|---------------|--------------|--------------------|------|----------------|----------------------------|-------------------------|----------------------|--------------|-------------------------|-------------------------|
| TLC2551CDGK      | ACTIVE        | VSSOP        | DGK                | 8    | 80             | Green (RoHS<br>& no Sb/Br) | CU NIPDAUAG             | Level-1-260C-UNLIM   | 0 to 70      | AHF                     | <a href="#">Samples</a> |
| TLC2551CDGKG4    | ACTIVE        | VSSOP        | DGK                | 8    | 80             | Green (RoHS<br>& no Sb/Br) | CU NIPDAUAG             | Level-1-260C-UNLIM   | 0 to 70      | AHF                     | <a href="#">Samples</a> |
| TLC2551CDGKR     | ACTIVE        | VSSOP        | DGK                | 8    | 2500           | Green (RoHS<br>& no Sb/Br) | CU NIPDAUAG             | Level-1-260C-UNLIM   | 0 to 70      | AHF                     | <a href="#">Samples</a> |
| TLC2551ID        | ACTIVE        | SOIC         | D                  | 8    | 75             | Green (RoHS<br>& no Sb/Br) | CU NIPDAU               | Level-1-260C-UNLIM   | -40 to 85    | 2551I                   | <a href="#">Samples</a> |
| TLC2551IDG4      | ACTIVE        | SOIC         | D                  | 8    | 75             | Green (RoHS<br>& no Sb/Br) | CU NIPDAU               | Level-1-260C-UNLIM   | -40 to 85    | 2551I                   | <a href="#">Samples</a> |
| TLC2551IDGK      | ACTIVE        | VSSOP        | DGK                | 8    | 80             | Green (RoHS<br>& no Sb/Br) | CU NIPDAUAG             | Level-1-260C-UNLIM   | -40 to 85    | AHG                     | <a href="#">Samples</a> |
| TLC2551IDGKG4    | ACTIVE        | VSSOP        | DGK                | 8    | 80             | Green (RoHS<br>& no Sb/Br) | CU NIPDAUAG             | Level-1-260C-UNLIM   | -40 to 85    | AHG                     | <a href="#">Samples</a> |
| TLC2551IDR       | ACTIVE        | SOIC         | D                  | 8    | 2500           | Green (RoHS<br>& no Sb/Br) | CU NIPDAU               | Level-1-260C-UNLIM   | -40 to 85    | 2551I                   | <a href="#">Samples</a> |
| TLC2552CDGK      | ACTIVE        | VSSOP        | DGK                | 8    | 80             | Green (RoHS<br>& no Sb/Br) | CU NIPDAUAG             | Level-1-260C-UNLIM   | 0 to 70      | AHH                     | <a href="#">Samples</a> |
| TLC2552CDGKG4    | ACTIVE        | VSSOP        | DGK                | 8    | 80             | Green (RoHS<br>& no Sb/Br) | CU NIPDAUAG             | Level-1-260C-UNLIM   | 0 to 70      | AHH                     | <a href="#">Samples</a> |
| TLC2552ID        | ACTIVE        | SOIC         | D                  | 8    | 75             | Green (RoHS<br>& no Sb/Br) | CU NIPDAU               | Level-1-260C-UNLIM   | -40 to 85    | 2552I                   | <a href="#">Samples</a> |
| TLC2552IDG4      | ACTIVE        | SOIC         | D                  | 8    | 75             | Green (RoHS<br>& no Sb/Br) | CU NIPDAU               | Level-1-260C-UNLIM   | -40 to 85    | 2552I                   | <a href="#">Samples</a> |
| TLC2552IDGK      | ACTIVE        | VSSOP        | DGK                | 8    | 80             | Green (RoHS<br>& no Sb/Br) | CU NIPDAUAG             | Level-1-260C-UNLIM   | -40 to 85    | AHI                     | <a href="#">Samples</a> |
| TLC2552IDGKG4    | ACTIVE        | VSSOP        | DGK                | 8    | 80             | Green (RoHS<br>& no Sb/Br) | CU NIPDAUAG             | Level-1-260C-UNLIM   | -40 to 85    | AHI                     | <a href="#">Samples</a> |
| TLC2555ID        | ACTIVE        | SOIC         | D                  | 8    | 75             | Green (RoHS<br>& no Sb/Br) | CU NIPDAU               | Level-1-260C-UNLIM   | -40 to 85    | 2555I                   | <a href="#">Samples</a> |
| TLC2555IDGK      | ACTIVE        | VSSOP        | DGK                | 8    | 80             | Green (RoHS<br>& no Sb/Br) | CU NIPDAUAG             | Level-1-260C-UNLIM   | -40 to 85    | AHK                     | <a href="#">Samples</a> |
| TLC2555IDGKG4    | ACTIVE        | VSSOP        | DGK                | 8    | 80             | Green (RoHS<br>& no Sb/Br) | CU NIPDAUAG             | Level-1-260C-UNLIM   | -40 to 85    | AHK                     | <a href="#">Samples</a> |

(1) The marketing status values are defined as follows:

**ACTIVE:** Product device recommended for new designs.

**LIFEBUY:** TI has announced that the device will be discontinued, and a lifetime-buy period is in effect.

**NRND:** Not recommended for new designs. Device is in production to support existing customers, but TI does not recommend using this part in a new design.

**PREVIEW:** Device has been announced but is not in production. Samples may or may not be available.

**OBSOLETE:** TI has discontinued the production of the device.

(2) Eco Plan - The planned eco-friendly classification: Pb-Free (RoHS), Pb-Free (RoHS Exempt), or Green (RoHS & no Sb/Br) - please check <http://www.ti.com/productcontent> for the latest availability information and additional product content details.

**TBD:** The Pb-Free/Green conversion plan has not been defined.

**Pb-Free (RoHS):** TI's terms "Lead-Free" or "Pb-Free" mean semiconductor products that are compatible with the current RoHS requirements for all 6 substances, including the requirement that lead not exceed 0.1% by weight in homogeneous materials. Where designed to be soldered at high temperatures, TI Pb-Free products are suitable for use in specified lead-free processes.

**Pb-Free (RoHS Exempt):** This component has a RoHS exemption for either 1) lead-based flip-chip solder bumps used between the die and package, or 2) lead-based die adhesive used between the die and leadframe. The component is otherwise considered Pb-Free (RoHS compatible) as defined above.

**Green (RoHS & no Sb/Br):** TI defines "Green" to mean Pb-Free (RoHS compatible), and free of Bromine (Br) and Antimony (Sb) based flame retardants (Br or Sb do not exceed 0.1% by weight in homogeneous material)

(3) MSL, Peak Temp. - The Moisture Sensitivity Level rating according to the JEDEC industry standard classifications, and peak solder temperature.

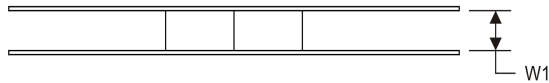
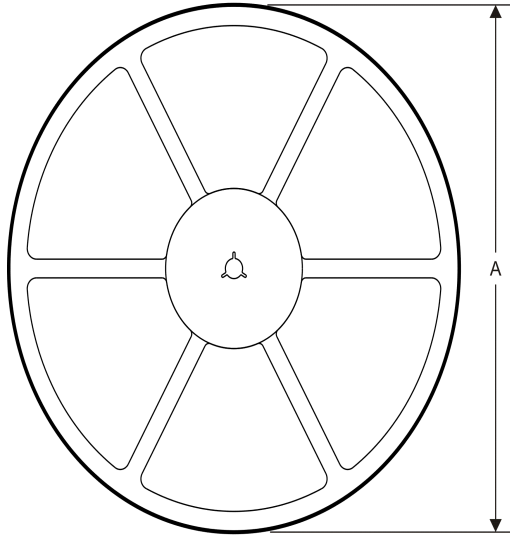
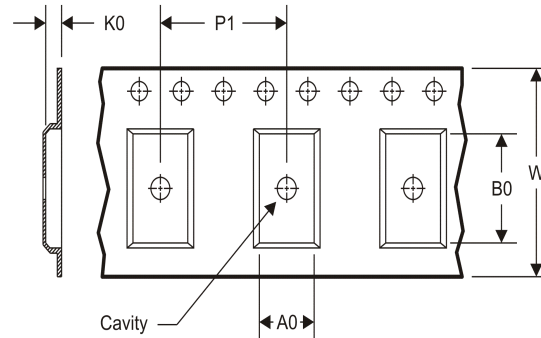
(4) There may be additional marking, which relates to the logo, the lot trace code information, or the environmental category on the device.

(5) Multiple Device Markings will be inside parentheses. Only one Device Marking contained in parentheses and separated by a "~" will appear on a device. If a line is indented then it is a continuation of the previous line and the two combined represent the entire Device Marking for that device.

(6) Lead/Ball Finish - Orderable Devices may have multiple material finish options. Finish options are separated by a vertical ruled line. Lead/Ball Finish values may wrap to two lines if the finish value exceeds the maximum column width.

**Important Information and Disclaimer:** The information provided on this page represents TI's knowledge and belief as of the date that it is provided. TI bases its knowledge and belief on information provided by third parties, and makes no representation or warranty as to the accuracy of such information. Efforts are underway to better integrate information from third parties. TI has taken and continues to take reasonable steps to provide representative and accurate information but may not have conducted destructive testing or chemical analysis on incoming materials and chemicals. TI and TI suppliers consider certain information to be proprietary, and thus CAS numbers and other limited information may not be available for release.

In no event shall TI's liability arising out of such information exceed the total purchase price of the TI part(s) at issue in this document sold by TI to Customer on an annual basis.

**TAPE AND REEL INFORMATION**
**REEL DIMENSIONS**

**TAPE DIMENSIONS**


|    |   |
|----|---|
| A0 | Dimension designed to accommodate the component width     |
| B0 | Dimension designed to accommodate the component length    |
| K0 | Dimension designed to accommodate the component thickness |
| W  | Overall width of the carrier tape                         |
| P1 | Pitch between successive cavity centers                   |

**TAPE AND REEL INFORMATION**

\*All dimensions are nominal

| Device       | Package Type | Package Drawing | Pins | SPQ  | Reel Diameter (mm) | Reel Width W1 (mm) | A0 (mm) | B0 (mm) | K0 (mm) | P1 (mm) | W (mm) | Pin1 Quadrant |
|--------------|--------------|-----------------|------|------|--------------------|--------------------|---------|---------|---------|---------|--------|---------------|
| TLC2551CDGKR | VSSOP        | DGK             | 8    | 2500 | 330.0              | 12.4               | 5.3     | 3.4     | 1.4     | 8.0     | 12.0   | Q1            |
| TLC2551IDR   | SOIC         | D               | 8    | 2500 | 330.0              | 12.4               | 6.4     | 5.2     | 2.1     | 8.0     | 12.0   | Q1            |

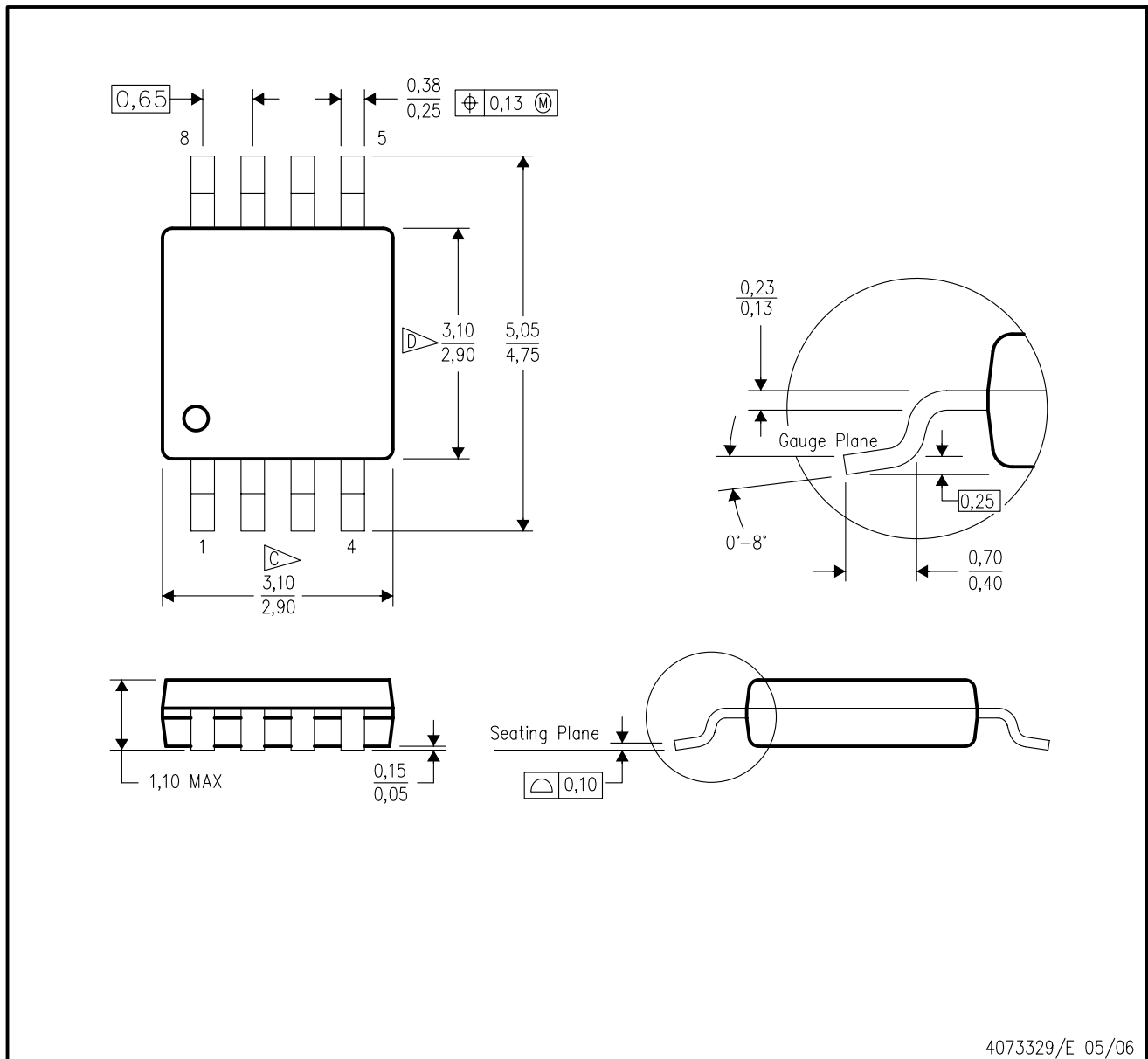
**TAPE AND REEL BOX DIMENSIONS**


\*All dimensions are nominal

| Device       | Package Type | Package Drawing | Pins | SPQ  | Length (mm) | Width (mm) | Height (mm) |
|--------------|--------------|-----------------|------|------|-------------|------------|-------------|
| TLC2551CDGKR | VSSOP        | DGK             | 8    | 2500 | 367.0       | 367.0      | 35.0        |
| TLC2551IDR   | SOIC         | D               | 8    | 2500 | 367.0       | 367.0      | 35.0        |

## DGK (S-PDSO-G8)

## PLASTIC SMALL-OUTLINE PACKAGE



- NOTES:
- A. All linear dimensions are in millimeters.
  - B. This drawing is subject to change without notice.
  - C. Body length does not include mold flash, protrusions, or gate burrs. Mold flash, protrusions, or gate burrs shall not exceed 0.15 per end.
  - D. Body width does not include interlead flash. Interlead flash shall not exceed 0.50 per side.
  - E. Falls within JEDEC MO-187 variation AA, except interlead flash.

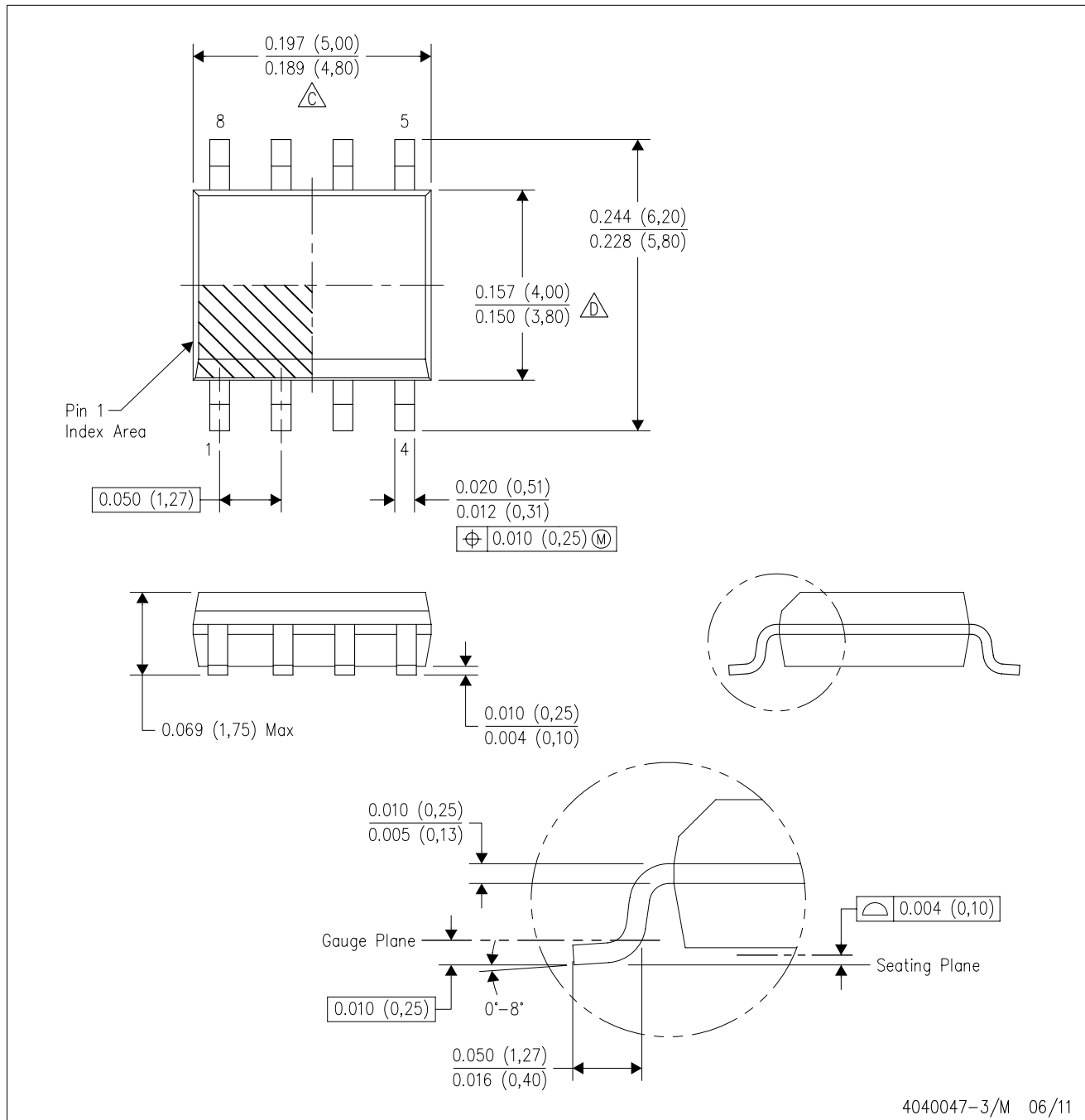




- NOTES:
- A. All linear dimensions are in millimeters.
  - B. This drawing is subject to change without notice.
  - C. Publication IPC-7351 is recommended for alternate designs.
  - D. Laser cutting apertures with trapezoidal walls and also rounding corners will offer better paste release. Customers should contact their board assembly site for stencil design recommendations. Refer to IPC-7525 for other stencil recommendations.
  - E. Customers should contact their board fabrication site for solder mask tolerances between and around signal pads.

D (R-PDSO-G8)

PLASTIC SMALL OUTLINE



- NOTES:
- A. All linear dimensions are in inches (millimeters).
  - B. This drawing is subject to change without notice.
  - $\triangle C$  Body length does not include mold flash, protrusions, or gate burrs. Mold flash, protrusions, or gate burrs shall not exceed 0.006 (0,15) each side.
  - $\triangle D$  Body width does not include interlead flash. Interlead flash shall not exceed 0.017 (0,43) each side.
  - E. Reference JEDEC MS-012 variation AA.

D (R-PDSO-G8)

PLASTIC SMALL OUTLINE



4211283-2/E 08/12

- NOTES:
- A. All linear dimensions are in millimeters.
  - B. This drawing is subject to change without notice.
  - C. Publication IPC-7351 is recommended for alternate designs.
  - D. Laser cutting apertures with trapezoidal walls and also rounding corners will offer better paste release. Customers should contact their board assembly site for stencil design recommendations. Refer to IPC-7525 for other stencil recommendations.
  - E. Customers should contact their board fabrication site for solder mask tolerances between and around signal pads.

## IMPORTANT NOTICE

Texas Instruments Incorporated and its subsidiaries (TI) reserve the right to make corrections, enhancements, improvements and other changes to its semiconductor products and services per JESD46, latest issue, and to discontinue any product or service per JESD48, latest issue. Buyers should obtain the latest relevant information before placing orders and should verify that such information is current and complete. All semiconductor products (also referred to herein as "components") are sold subject to TI's terms and conditions of sale supplied at the time of order acknowledgment.

TI warrants performance of its components to the specifications applicable at the time of sale, in accordance with the warranty in TI's terms and conditions of sale of semiconductor products. Testing and other quality control techniques are used to the extent TI deems necessary to support this warranty. Except where mandated by applicable law, testing of all parameters of each component is not necessarily performed.

TI assumes no liability for applications assistance or the design of Buyers' products. Buyers are responsible for their products and applications using TI components. To minimize the risks associated with Buyers' products and applications, Buyers should provide adequate design and operating safeguards.

TI does not warrant or represent that any license, either express or implied, is granted under any patent right, copyright, mask work right, or other intellectual property right relating to any combination, machine, or process in which TI components or services are used. Information published by TI regarding third-party products or services does not constitute a license to use such products or services or a warranty or endorsement thereof. Use of such information may require a license from a third party under the patents or other intellectual property of the third party, or a license from TI under the patents or other intellectual property of TI.

Reproduction of significant portions of TI information in TI data books or data sheets is permissible only if reproduction is without alteration and is accompanied by all associated warranties, conditions, limitations, and notices. TI is not responsible or liable for such altered documentation. Information of third parties may be subject to additional restrictions.

Resale of TI components or services with statements different from or beyond the parameters stated by TI for that component or service voids all express and any implied warranties for the associated TI component or service and is an unfair and deceptive business practice. TI is not responsible or liable for any such statements.

Buyer acknowledges and agrees that it is solely responsible for compliance with all legal, regulatory and safety-related requirements concerning its products, and any use of TI components in its applications, notwithstanding any applications-related information or support that may be provided by TI. Buyer represents and agrees that it has all the necessary expertise to create and implement safeguards which anticipate dangerous consequences of failures, monitor failures and their consequences, lessen the likelihood of failures that might cause harm and take appropriate remedial actions. Buyer will fully indemnify TI and its representatives against any damages arising out of the use of any TI components in safety-critical applications.

In some cases, TI components may be promoted specifically to facilitate safety-related applications. With such components, TI's goal is to help enable customers to design and create their own end-product solutions that meet applicable functional safety standards and requirements. Nonetheless, such components are subject to these terms.

No TI components are authorized for use in FDA Class III (or similar life-critical medical equipment) unless authorized officers of the parties have executed a special agreement specifically governing such use.

Only those TI components which TI has specifically designated as military grade or "enhanced plastic" are designed and intended for use in military/aerospace applications or environments. Buyer acknowledges and agrees that any military or aerospace use of TI components which have **not** been so designated is solely at the Buyer's risk, and that Buyer is solely responsible for compliance with all legal and regulatory requirements in connection with such use.

TI has specifically designated certain components as meeting ISO/TS16949 requirements, mainly for automotive use. In any case of use of non-designated products, TI will not be responsible for any failure to meet ISO/TS16949.

### Products

|                              |  |
|------------------------------|--|
| Audio                        | <a href="http://www.ti.com/audio">www.ti.com/audio</a>                               |
| Amplifiers                   | <a href="http://amplifier.ti.com">amplifier.ti.com</a>                               |
| Data Converters              | <a href="http://dataconverter.ti.com">dataconverter.ti.com</a>                       |
| DLP® Products                | <a href="http://www.dlp.com">www.dlp.com</a>   |
| DSP                          | <a href="http://dsp.ti.com">dsp.ti.com</a>   |
| Clocks and Timers            | <a href="http://www.ti.com/clocks">www.ti.com/clocks</a>                             |
| Interface                    | <a href="http://interface.ti.com">interface.ti.com</a>                               |
| Logic                        | <a href="http://logic.ti.com">logic.ti.com</a>                                       |
| Power Mgmt                   | <a href="http://power.ti.com">power.ti.com</a>                                       |
| Microcontrollers             | <a href="http://microcontroller.ti.com">microcontroller.ti.com</a>                   |
| RFID                         | <a href="http://www.ti-rfid.com">www.ti-rfid.com</a>                                 |
| OMAP Applications Processors | <a href="http://www.ti.com/omap">www.ti.com/omap</a>                                 |
| Wireless Connectivity        | <a href="http://www.ti.com/wirelessconnectivity">www.ti.com/wirelessconnectivity</a> |

### Applications

|                               |  |
|-------------------------------|--|
| Automotive and Transportation | <a href="http://www.ti.com/automotive">www.ti.com/automotive</a>                         |
| Communications and Telecom    | <a href="http://www.ti.com/communications">www.ti.com/communications</a>                 |
| Computers and Peripherals     | <a href="http://www.ti.com/computers">www.ti.com/computers</a>                           |
| Consumer Electronics          | <a href="http://www.ti.com/consumer-apps">www.ti.com/consumer-apps</a>                   |
| Energy and Lighting           | <a href="http://www.ti.com/energy">www.ti.com/energy</a>                                 |
| Industrial                    | <a href="http://www.ti.com/industrial">www.ti.com/industrial</a>                         |
| Medical                       | <a href="http://www.ti.com/medical">www.ti.com/medical</a>                               |
| Security                      | <a href="http://www.ti.com/security">www.ti.com/security</a>                             |
| Space, Avionics and Defense   | <a href="http://www.ti.com/space-avionics-defense">www.ti.com/space-avionics-defense</a> |
| Video and Imaging             | <a href="http://www.ti.com/video">www.ti.com/video</a>                                   |

### TI E2E Community

[e2e.ti.com](http://e2e.ti.com)



Компания «ЭлектроПласт» предлагает заключение долгосрочных отношений при поставках импортных электронных компонентов на взаимовыгодных условиях!

Наши преимущества:

- Оперативные поставки широкого спектра электронных компонентов отечественного и импортного производства напрямую от производителей и с крупнейших мировых складов;
- Поставка более 17-ти миллионов наименований электронных компонентов;
- Поставка сложных, дефицитных, либо снятых с производства позиций;
- Оперативные сроки поставки под заказ (от 5 рабочих дней);
- Экспресс доставка в любую точку России;
- Техническая поддержка проекта, помощь в подборе аналогов, поставка прототипов;
- Система менеджмента качества сертифицирована по Международному стандарту ISO 9001;
- Лицензия ФСБ на осуществление работ с использованием сведений, составляющих государственную тайну;
- Поставка специализированных компонентов (Xilinx, Altera, Analog Devices, Intersil, Interpoint, Microsemi, Aeroflex, Peregrine, Syfer, Eurofarad, Texas Instrument, Miteq, Cobham, E2V, MA-COM, Hittite, Mini-Circuits, General Dynamics и др.);

Помимо этого, одним из направлений компании «ЭлектроПласт» является направление «Источники питания». Мы предлагаем Вам помощь Конструкторского отдела:

- Подбор оптимального решения, техническое обоснование при выборе компонента;
- Подбор аналогов;
- Консультации по применению компонента;
- Поставка образцов и прототипов;
- Техническая поддержка проекта;
- Защита от снятия компонента с производства.



#### Как с нами связаться

**Телефон:** 8 (812) 309 58 32 (многоканальный)

**Факс:** 8 (812) 320-02-42

**Электронная почта:** [org@eplast1.ru](mailto:org@eplast1.ru)

**Адрес:** 198099, г. Санкт-Петербург, ул. Калинина, дом 2, корпус 4, литера А.