



The SST39VF1681 / SST39VF1682 are 2M x8 CMOS Multi-Purpose Flash Plus (MPF+) manufactured with SST proprietary, high performance CMOS Super-Flash® technology. The split-gate cell design and thick-oxide tunneling injector attain better reliability and manufacturability compared with alternate approaches. The SST39VF1681 / SST39VF1682 write (Program or Erase) with a 2.7-3.6V power supply. These devices conform to JEDEC standard pinouts for x8 memories.

## Features

- **Organized as 2M x8**
- **Single Voltage Read and Write Operations**
  - 2.7-3.6V
- **Superior Reliability**
  - Endurance: 100,000 Cycles (Typical)
  - Greater than 100 years Data Retention
- **Low Power Consumption (typical values at 5 MHz)**
  - Active Current: 9 mA (typical)
  - Standby Current: 3  $\mu$ A (typical)
  - Auto Low Power Mode: 3  $\mu$ A (typical)
- **Hardware Block-Protection/WP# Input Pin**
  - Top Block-Protection (top 64 KByte) for SST39VF1682
  - Bottom Block-Protection (bottom 64 KByte) for SST39VF1681
- **Sector-Erase Capability**
  - Uniform 4 KByte sectors
- **Block-Erase Capability**
  - Uniform 64 KByte blocks
- **Chip-Erase Capability**
- **Erase-Suspend/Erase-Resume Capabilities**
- **Hardware Reset Pin (RST#)**
- **Security-ID Feature**
  - SST: 128 bits; User: 128 bits
- **Fast Read Access Time:**
  - 70 ns
- **Latched Address and Data**
- **Fast Erase and Byte-Program:**
  - Sector-Erase Time: 18 ms (typical)
  - Block-Erase Time: 18 ms (typical)
  - Chip-Erase Time: 40 ms (typical)
  - Byte-Program Time: 7  $\mu$ s (typical)
- **Automatic Write Timing**
  - Internal V<sub>PP</sub> Generation
- **End-of-Write Detection**
  - Toggle Bits
  - Data# Polling
- **CMOS I/O Compatibility**
- **JEDEC Standard**
  - Flash EEPROM Pinouts and Command sets
- **Packages Available**
  - 48-ball TFBGA (6mm x 8mm)
  - 48-lead TSOP (12mm x 20mm)
- **All devices are RoHS compliant**



## Product Description

The SST39VF168x devices are 2M x8 CMOS Multi-Purpose Flash Plus (MPF+) manufactured with SST's proprietary, high performance CMOS SuperFlash® technology. The split-gate cell design and thick-oxide tunneling injector attain better reliability and manufacturability compared with alternate approaches. The SST39VF168x write (Program or Erase) with a 2.7-3.6V power supply. These devices conform to JEDEC standard pinouts for x8 memories.

Featuring high performance Byte-Program, the SST39VF168x devices provide a typical Byte-Program time of 7  $\mu$ sec. These devices use Toggle Bit or Data# Polling to indicate the completion of Program operation. To protect against inadvertent write, they have on-chip hardware and Software Data Protection schemes. Designed, manufactured, and tested for a wide spectrum of applications, these devices are offered with a guaranteed typical endurance of 100,000 cycles. Data retention is rated at greater than 100 years.

The SST39VF168x devices are suited for applications that require convenient and economical updating of program, configuration, or data memory. For all system applications, they significantly improve performance and reliability, while lowering power consumption. They inherently use less energy during Erase and Program than alternative flash technologies. The total energy consumed is a function of the applied voltage, current, and time of application. Since for any given voltage range, the SuperFlash technology uses less current to program and has a shorter erase time, the total energy consumed during any Erase or Program operation is less than alternative flash technologies. These devices also improve flexibility while lowering the cost for program, data, and configuration storage applications.

The SuperFlash technology provides fixed Erase and Program times, independent of the number of Erase/Program cycles that have occurred. Therefore the system software or hardware does not have to be modified or de-rated as is necessary with alternative flash technologies, whose Erase and Program times increase with accumulated Erase/Program cycles.

To meet high density, surface mount requirements, the SST39VF168x are offered in both 48-ball TFBGA and 48-lead TSOP packages. See Figures 2 and 3 for pin assignments.



### Block Diagram

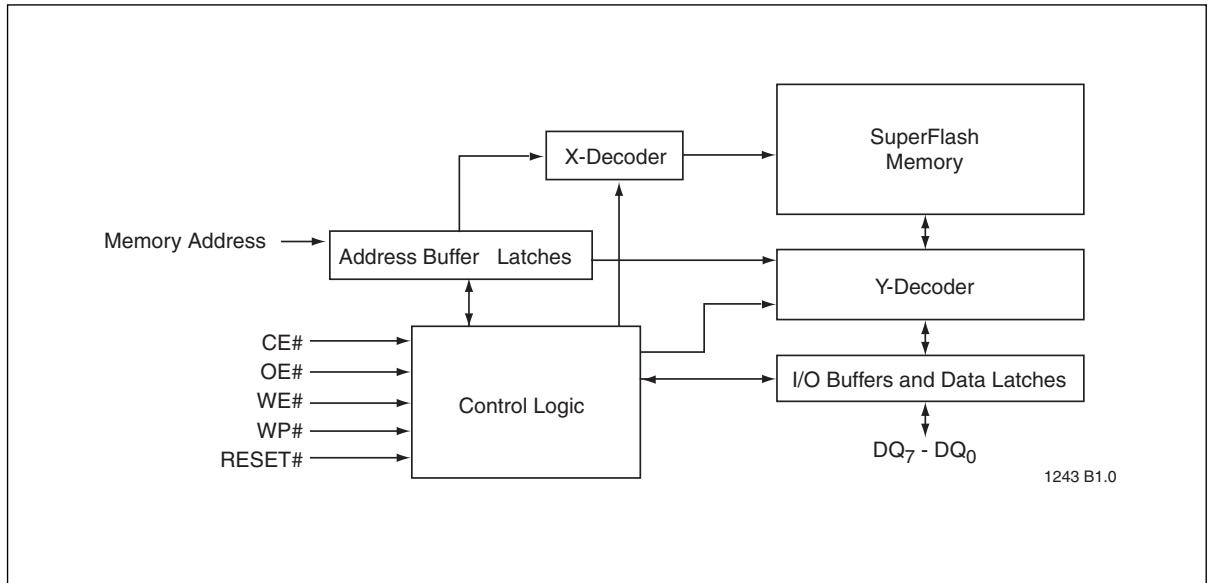


Figure 1: SST39VF1681 / SST39VF1682 Block Diagram

### Pin Description



Figure 2: Pin Assignments for 48-lead TFBGA



**Figure 3:** Pin Assignments for 48-lead TSOP

**Table 1:** Pin Description

| Symbol                           | Pin Name          | Functions  |
|----------------------------------|-------------------|--|
| $A_{MS}^1$ -A <sub>0</sub>       | Address Inputs    | To provide memory addresses.<br>During Sector-Erase $A_{MS}$ -A <sub>12</sub> address lines will select the sector.<br>During Block-Erase $A_{MS}$ -A <sub>16</sub> address lines will select the block. |
| DQ <sub>7</sub> -DQ <sub>0</sub> | Data Input/output | To output data during Read cycles and receive input data during Write cycles.<br>Data is internally latched during a Write cycle.<br>The outputs are in tri-state when OE# or CE# is high.               |
| WP#                              | Write Protect     | To protect the top/bottom boot block from Erase/Program operation when grounded.   |
| RST#                             | Reset             | To reset and return the device to Read mode.   |
| CE#                              | Chip Enable       | To activate the device when CE# is low.  |
| OE#                              | Output Enable     | To gate the data output buffers.   |
| WE#                              | Write Enable      | To control the Write operations.   |
| V <sub>DD</sub>                  | Power Supply      | To provide power supply voltage: 2.7-3.6V  |
| V <sub>SS</sub>                  | Ground            |  |
| NC                               | No Connection     | Unconnected pins.  |

T1.1 25040

1.  $A_{MS}$  = Most significant address  
 $A_{MS}$  = A<sub>20</sub> for SST39VF1681/1682



## Device Operation

Commands are used to initiate the memory operation functions of the device. Commands are written to the device using standard microprocessor write sequences. A command is written by asserting WE# low while keeping CE# low. The address bus is latched on the falling edge of WE# or CE#, whichever occurs last. The data bus is latched on the rising edge of WE# or CE#, whichever occurs first.

The SST39VF168x also have the **Auto Low Power** mode which puts the device in a near standby mode after data has been accessed with a valid Read operation. This reduces the I<sub>DD</sub> active read current from typically 9 mA to typically 3  $\mu$ A. The Auto Low Power mode reduces the typical I<sub>DD</sub> active read current to the range of 2 mA/MHz of Read cycle time. The device exits the Auto Low Power mode with any address transition or control signal transition used to initiate another Read cycle, with no access time penalty. Note that the device does not enter Auto-Low Power mode after power-up with CE# held steadily low, until the first address transition or CE# is driven high.

## Read

The Read operation of the SST39VF168x is controlled by CE# and OE#, both have to be low for the system to obtain data from the outputs. CE# is used for device selection. When CE# is high, the chip is deselected and only standby power is consumed. OE# is the output control and is used to gate data from the output pins. The data bus is in high impedance state when either CE# or OE# is high. Refer to the Read cycle timing diagram for further details (Figure 4).

## Byte-Program Operation

The SST39VF168x are programmed on a byte-by-byte basis. Before programming, the sector where the byte exists must be fully erased. The Program operation is accomplished in three steps. The first step is the three-byte load sequence for Software Data Protection. The second step is to load byte address and byte data. During the Byte-Program operation, the addresses are latched on the falling edge of either CE# or WE#, whichever occurs last. The data is latched on the rising edge of either CE# or WE#, whichever occurs first. The third step is the internal Program operation which is initiated after the rising edge of the fourth WE# or CE#, whichever occurs first. The Program operation, once initiated, will be completed within 10  $\mu$ s. See Figures 5 and 6 for WE# and CE# controlled Program operation timing diagrams and Figure 20 for flowcharts. During the Program operation, the only valid reads are Data# Polling and Toggle Bit. During the internal Program operation, the host is free to perform additional tasks. Any commands issued during the internal Program operation are ignored. During the command sequence, WP# should be statically held high or low.

## Sector/Block-Erase Operation

The Sector- (or Block-) Erase operation allows the system to erase the device on a sector-by-sector (or block-by-block) basis. The SST39VF168x offer both Sector-Erase and Block-Erase mode. The sector architecture is based on uniform sector size of 4 KByte. The Block-Erase mode is based on uniform block size of 64 KByte. The Sector-Erase operation is initiated by executing a six-byte command sequence with Sector-Erase command (50H) and sector address (SA) in the last bus cycle. The Block-Erase operation is initiated by executing a six-byte command sequence with Block-Erase command (30H) and block address (BA) in the last bus cycle. The sector or block address is latched on the falling edge of the sixth WE# pulse, while the command (30H or 50H) is latched on the rising edge of the sixth WE# pulse. The internal Erase operation begins after the sixth WE# pulse. The End-of-Erase operation can be determined using either Data# Polling or Toggle Bit methods. See Figures 10 and 11 for



timing waveforms and Figure 24 for the flowchart. Any commands issued during the Sector- or Block-Erase operation are ignored. When WP# is low, any attempt to Sector- (Block-) Erase the protected block will be ignored. During the command sequence, WP# should be statically held high or low.

### Erase-Suspend/Erase-Resume Commands

The Erase-Suspend operation temporarily suspends a Sector- or Block-Erase operation thus allowing data to be read from any memory location, or program data into any sector/block that is not suspended for an Erase operation. The operation is executed by issuing one byte command sequence with Erase-Suspend command (B0H). The device automatically enters read mode typically within 20  $\mu$ s after the Erase-Suspend command had been issued. Valid data can be read from any sector or block that is not suspended from an Erase operation. Reading at address location within erase-suspended sectors/blocks will output DQ<sub>2</sub> toggling and DQ<sub>6</sub> at "1". While in Erase-Suspend mode, a Byte-Program operation is allowed except for the sector or block selected for Erase-Suspend.

To resume Sector-Erase or Block-Erase operation which has been suspended the system must issue Erase Resume command. The operation is executed by issuing one byte command sequence with Erase Resume command (30H) at any address in the last Byte sequence.

### Chip-Erase Operation

The SST39VF168x provide a Chip-Erase operation, which allows the user to erase the entire memory array to the "1" state. This is useful when the entire device must be quickly erased.

The Chip-Erase operation is initiated by executing a six-byte command sequence with Chip-Erase command (10H) at address AAAH in the last byte sequence. The Erase operation begins with the rising edge of the sixth WE# or CE#, whichever occurs first. During the Erase operation, the only valid read is Toggle Bit or Data# Polling. See Table 6 for the command sequence, Figure 10 for timing diagram, and Figure 24 for the flowchart. Any commands issued during the Chip-Erase operation are ignored. When WP# is low, any attempt to Chip-Erase will be ignored. During the command sequence, WP# should be statically held high or low.

### Write Operation Status Detection

The SST39VF168x provide two software means to detect the completion of a Write (Program or Erase) cycle, in order to optimize the system write cycle time. The software detection includes two status bits: Data# Polling (DQ<sub>7</sub>) and Toggle Bit (DQ<sub>6</sub>). The End-of-Write detection mode is enabled after the rising edge of WE#, which initiates the internal Program or Erase operation.

The actual completion of the nonvolatile write is asynchronous with the system; therefore, either a Data# Polling or Toggle Bit read may be simultaneous with the completion of the write cycle. If this occurs, the system may possibly get an erroneous result, i.e., valid data may appear to conflict with either DQ<sub>7</sub> or DQ<sub>6</sub>. In order to prevent spurious rejection, if an erroneous result occurs, the software routine should include a loop to read the accessed location an additional two (2) times. If both reads are valid, then the device has completed the Write cycle, otherwise the rejection is valid.

### Data# Polling (DQ<sub>7</sub>)

When the SST39VF168x are in the internal Program operation, any attempt to read DQ<sub>7</sub> will produce the complement of the true data. Once the Program operation is completed, DQ<sub>7</sub> will produce true data. Note that even though DQ<sub>7</sub> may have valid data immediately following the completion of an internal Write operation, the remaining data outputs may still be invalid: valid data on the entire data bus will appear in subsequent successive Read cycles after an interval of 1  $\mu$ s. During internal Erase operation, any attempt to read DQ<sub>7</sub> will pro-



duce a '0'. Once the internal Erase operation is completed, DQ<sub>7</sub> will produce a '1'. The Data# Polling is valid after the rising edge of fourth WE# (or CE#) pulse for Program operation. For Sector-, Block- or Chip-Erase, the Data# Polling is valid after the rising edge of sixth WE# (or CE#) pulse. See Figure 7 for Data# Polling timing diagram and Figure 21 for a flowchart.

### Toggle Bits (DQ<sub>6</sub> and DQ<sub>2</sub>)

During the internal Program or Erase operation, any consecutive attempts to read DQ<sub>6</sub> will produce alternating "1"s and "0"s, i.e., toggling between 1 and 0. When the internal Program or Erase operation is completed, the DQ<sub>6</sub> bit will stop toggling. The device is then ready for the next operation. For Sector-, Block-, or Chip-Erase, the toggle bit (DQ<sub>6</sub>) is valid after the rising edge of sixth WE# (or CE#) pulse. DQ<sub>6</sub> will be set to "1" if a Read operation is attempted on an Erase-Suspended Sector/Block. If Program operation is initiated in a sector/block not selected in Erase-Suspend mode, DQ<sub>6</sub> will toggle.

An additional Toggle Bit is available on DQ<sub>2</sub>, which can be used in conjunction with DQ<sub>6</sub> to check whether a particular sector is being actively erased or erase-suspended. Table 2 shows detailed status bits information. The Toggle Bit (DQ<sub>2</sub>) is valid after the rising edge of the last WE# (or CE#) pulse of Write operation. See Figure 8 for Toggle Bit timing diagram and Figure 21 for a flowchart.

**Table 2: Write Operation Status**

| Status             |   | DQ <sub>7</sub>   | DQ <sub>6</sub> | DQ <sub>2</sub> |
|--------------------|---|-------------------|-----------------|-----------------|
| Normal Operation   | Standard Program                            | DQ <sub>7</sub> # | Toggle          | No Toggle       |
|                    | Standard Erase                              | 0                 | Toggle          | Toggle          |
| Erase-Suspend Mode | Read from Erase Suspended Sector/Block      | 1                 | 1               | Toggle          |
|                    | Read from Non- Erase Suspended Sector/Block | Data              | Data            | Data            |
|                    | Program                                     | DQ <sub>7</sub> # | Toggle          | N/A             |

T2.0 25040

**Note:** DQ<sub>7</sub> and DQ<sub>2</sub> require a valid address when reading status information.

### Data Protection

The SST39VF168x provide both hardware and software features to protect nonvolatile data from inadvertent writes.

### Hardware Data Protection

Noise/Glitch Protection: A WE# or CE# pulse of less than 5 ns will not initiate a write cycle.

V<sub>DD</sub> Power Up/Down Detection: The Write operation is inhibited when V<sub>DD</sub> is less than 1.5V.

Write Inhibit Mode: Forcing OE# low, CE# high, or WE# high will inhibit the Write operation. This prevents inadvertent writes during power-up or power-down.



### Hardware Block Protection

The SST39VF1682 supports top hardware block protection, which protects the top 64 KByte block of the device. The SST39VF1681 supports bottom hardware block protection, which protects the bottom 64 KByte block of the device. The Boot Block address ranges are described in Table 3. Program and Erase operations are prevented on the 64 KByte when WP# is low. If WP# is left floating, it is internally held high via a pull-up resistor, and the Boot Block is unprotected, enabling Program and Erase operations on that block.

**Table 3:** Boot Block Address Ranges

| Product                                 | Address Range    |
|---|------------------|
| <b>Bottom Boot Block</b><br>SST39VF1681 | 000000H-00FFFFH  |
| <b>Top Boot Block</b><br>SST39VF1682    | 1F0000H-1FFFFFFH |

T3.1 25040

### Hardware Reset (RST#)

The RST# pin provides a hardware method of resetting the device to read array data. When the RST# pin is held low for at least  $T_{RP}$ , any in-progress operation will terminate and return to Read mode. When no internal Program/Erase operation is in progress, a minimum period of  $T_{RHR}$  is required after RST# is driven high before a valid Read can take place (see Figure 16).

The Erase or Program operation that has been interrupted needs to be re-initiated after the device resumes normal operation mode to ensure data integrity.

### Software Data Protection (SDP)

The SST39VF168x provide the JEDEC approved Software Data Protection scheme for all data alteration operations, i.e., Program and Erase. Any Program operation requires the inclusion of the three-byte sequence. The three-byte load sequence is used to initiate the Program operation, providing optimal protection from inadvertent Write operations, e.g., during the system power-up or power-down. Any Erase operation requires the inclusion of six-byte sequence. These devices are shipped with the Software Data Protection permanently enabled. See Table 6 for the specific software command codes. During SDP command sequence, invalid commands will abort the device to Read mode within  $T_{RC}$ .

### Common Flash Memory Interface (CFI)

The SST39VF168x also contain the CFI information to describe the characteristics of the device. In order to enter the CFI Query mode, the system must write three-byte sequence, same as product ID entry command with 98H (CFI Query command) to address AAAH in the last byte sequence. Once the device enters the CFI Query mode, the system can read CFI data at the addresses given in Tables 7 through 9. The system must write the CFI Exit command to return to Read mode from the CFI Query mode.





### Product Identification

The Product Identification mode identifies the devices as the SST39VF1681 and SST39VF1682, and manufacturer as SST. Users may use the software Product Identification operation to identify the part (i.e., using the device ID) when using multiple manufacturers in the same socket. For details, see Table 6 for software operation, Figure 12 for the software ID Entry and Read timing diagram, and Figure 22 for the software ID Entry command sequence flowchart.

**Table 4:** Product Identification

|                   | Address | Data |
|-------------------|---------|------|
| Manufacturer's ID | 0000H   | BFH  |
| Device ID         |         |      |
| SST39VF1681       | 0001H   | C8H  |
| SST39VF1682       | 0001H   | C9H  |

T4.1 25040

### Product Identification Mode Exit/CFI Mode Exit

In order to return to the standard Read mode, the Software Product Identification mode must be exited. Exit is accomplished by issuing the software ID Exit command sequence, which returns the device to the Read mode. This command may also be used to reset the device to the Read mode after any inadvertent transient condition that apparently causes the device to behave abnormally, e.g., not read correctly. Please note that the software ID Exit/CFI Exit command is ignored during an internal Program or Erase operation. See Table 6 for software command codes, Figure 14 for timing waveform, and Figures 22 and 23 for flowcharts.

### Security ID

The SST39VF168x devices offer a 256-bit Security ID space which is divided into two 128-bit segments. The first segment is programmed and locked at SST with a random 128-bit number. The user segment is left un-programmed for the customer to program as desired.

To program the user segment of the Security ID, the user must use the Security ID Byte-Program command. To detect end-of-write for the SEC ID, read the toggle bits. Do not use Data# Polling. Once this is complete, the Sec ID should be locked using the User Sec ID Program Lock-Out. This disables any future corruption of this space. Note that regardless of whether or not the Sec ID is locked, neither Sec ID segment can be erased.

The Security ID space can be queried by executing a three-byte command sequence with Enter-Sec-ID command (88H) at address AAAH in the last byte sequence. Execute the Exit-Sec-ID command to exit this mode. Refer to Table 6 for more details.



## Operations

**Table 5: Operation Modes Selection**

| Mode                   | CE#             | OE#             | WE#             | DQ                       | Address  |
|------------------------|-----------------|-----------------|-----------------|--------------------------|--|
| Read                   | V <sub>IL</sub> | V <sub>IL</sub> | V <sub>IH</sub> | D <sub>OUT</sub>         | A <sub>IN</sub>                                |
| Program                | V <sub>IL</sub> | V <sub>IH</sub> | V <sub>IL</sub> | D <sub>IN</sub>          | A <sub>IN</sub>                                |
| Erase                  | V <sub>IL</sub> | V <sub>IH</sub> | V <sub>IL</sub> | X <sup>1</sup>           | Sector or block address,<br>XXH for Chip-Erase |
| Standby                | V <sub>IH</sub> | X               | X               | High Z                   | X  |
| Write Inhibit          | X               | V <sub>IL</sub> | X               | High Z/ D <sub>OUT</sub> | X  |
|                        | X               | X               | V <sub>IH</sub> | High Z/ D <sub>OUT</sub> | X  |
| Product Identification |                 |                 |                 |                          |  |
| Software Mode          | V <sub>IL</sub> | V <sub>IL</sub> | V <sub>IH</sub> |                          | See Table 6                                    |

T5.0 25040

1. X can be V<sub>IL</sub> or V<sub>IH</sub>, but no other value.

**Table 6: Software Command Sequence**

| Command Sequence                                      | 1st Bus Write Cycle |      | 2nd Bus Write Cycle |      | 3rd Bus Write Cycle |      | 4th Bus Write Cycle |      | 5th Bus Write Cycle |      | 6th Bus Write Cycle          |      |
|---|---------------------|------|---------------------|------|---------------------|------|---------------------|------|---------------------|------|------------------------------|------|
|   | Addr <sup>1</sup>   | Data | Addr <sup>1</sup>   | Data | Addr <sup>1</sup>   | Data | Addr <sup>1</sup>   | Data | Addr <sup>1</sup>   | Data | Addr <sup>1</sup>            | Data |
| Byte-Program  | AAAH                | AAH  | 555H                | 55H  | AAAH                | A0H  | BA <sup>2</sup>     | Data |                     |      |                              |      |
| Sector-Erase  | AAAH                | AAH  | 555H                | 55H  | AAAH                | 80H  | AAAH                | AAH  | 555H                | 55H  | SA <sub>X</sub> <sup>3</sup> | 50H  |
| Block-Erase   | AAAH                | AAH  | 555H                | 55H  | AAAH                | 80H  | AAAH                | AAH  | 555H                | 55H  | BA <sub>X</sub> <sup>3</sup> | 30H  |
| Chip-Erase  | AAAH                | AAH  | 555H                | 55H  | AAAH                | 80H  | AAAH                | AAH  | 555H                | 55H  | AAAH                         | 10H  |
| Erase-Suspend   | XXXXH               | B0H  |                     |      |                     |      |                     |      |                     |      |                              |      |
| Erase-Resume  | XXXXH               | 30H  |                     |      |                     |      |                     |      |                     |      |                              |      |
| Query Sec ID <sup>4</sup>                             | AAAH                | AAH  | 555H                | 55H  | AAAH                | 88H  |                     |      |                     |      |                              |      |
| User Security ID Byte-Program                         | AAAH                | AAH  | 555H                | 55H  | AAAH                | A5H  | BA <sup>5</sup>     | Data |                     |      |                              |      |
| User Security ID Program Lock-Out                     | AAAH                | AAH  | 555H                | 55H  | AAAH                | 85H  | XXH <sup>5</sup>    | 00H  |                     |      |                              |      |
| Software ID Entry <sup>6,7</sup>                      | AAAH                | AAH  | 555H                | 55H  | AAAH                | 90H  |                     |      |                     |      |                              |      |
| CFI Query Entry                                       | AAAH                | AAH  | 555H                | 55H  | AAAH                | 98H  |                     |      |                     |      |                              |      |
| Software ID Exit <sup>8,9</sup> /CFI Exit/Sec ID Exit | AAAH                | AAH  | 555H                | 55H  | AAAH                | F0H  |                     |      |                     |      |                              |      |
| Software ID Exit <sup>8,9</sup> /CFI Exit/Sec ID Exit | XXH                 | F0H  |                     |      |                     |      |                     |      |                     |      |                              |      |

T6.1 25040

- Address format A<sub>11</sub>-A<sub>0</sub> (Hex).  
Addresses A<sub>20</sub>-A<sub>12</sub> can be V<sub>IL</sub> or V<sub>IH</sub>, but no other value, for Command sequence for SST39VF1681/1682.
- BA = Program Byte Address
- SA<sub>X</sub> for Sector-Erase; uses A<sub>MS</sub>-A<sub>12</sub> address lines  
BA<sub>X</sub>, for Block-Erase; uses A<sub>MS</sub>-A<sub>16</sub> address lines  
A<sub>MS</sub> = Most significant address  
A<sub>MS</sub> = A<sub>20</sub> for SST39VF1681/1682



4. With  $A_{MS}-A_5 = 0$ ; Sec ID is read with  $A_4-A_0$ ,  
 SST ID is read with  $A_4 = 0$  (Address range = 00000H to 0000FH),  
 User ID is read with  $A_4 = 1$  (Address range = 00010H to 0001FH).  
 Lock Status is read with  $A_7-A_0 = 0000FFH$ . Unlocked:  $DQ_3 = 1$  / Locked:  $DQ_3 = 0$ .
5. Valid Byte Addresses for Sec ID are from 000000H-00000FH and 000020H-00002FH.
6. The device does not remain in Software Product ID Mode if powered down.
7. With  $A_{MS}-A_1 = 0$ ; SST Manufacturer ID = 00BFH, is read with  $A_0 = 0$ ,  
 SST39VF1681 Device ID = C8H, is read with  $A_0 = 1$ ,  
 SST39VF1682 Device ID = C9H, is read with  $A_0 = 1$ ,  
 $A_{MS}$  = Most significant address  
 $A_{MS} = A_{20}$  for SST39VF1681/1682
8. Both Software ID Exit operations are equivalent
9. If users never lock after programming, Sec ID can be programmed over the previously unprogrammed bits (data=1) using the Sec ID mode again (the programmed "0" bits cannot be reversed to "1").

**Table 7: CFI Query Identification String<sup>1</sup>**

| Address | Data | Data   |
|---------|------|--|
| 10H     | 51H  | Query Unique ASCII string "QRY"                              |
| 11H     | 52H  |  |
| 12H     | 59H  |  |
| 13H     | 01H  | Primary OEM command set                                      |
| 14H     | 07H  |  |
| 15H     | 00H  | Address for Primary Extended Table                           |
| 16H     | 00H  |  |
| 17H     | 00H  | Alternate OEM command set (00H = none exists)                |
| 18H     | 00H  |  |
| 19H     | 00H  | Address for Alternate OEM extended Table (00H = none exists) |
| 1AH     | 00H  |  |

1. Refer to CFI publication 100 for more details.

T7.1 25040

**Table 8: System Interface Information**

| Address | Data | Data  |
|---------|------|---|
| 1BH     | 27H  | $V_{DD}$ Min (Program/Erase)<br>DQ <sub>7</sub> -DQ <sub>4</sub> : Volts, DQ <sub>3</sub> -DQ <sub>0</sub> : 100 millivolts |
| 1CH     | 36H  | $V_{DD}$ Max (Program/Erase)<br>DQ <sub>7</sub> -DQ <sub>4</sub> : Volts, DQ <sub>3</sub> -DQ <sub>0</sub> : 100 millivolts |
| 1DH     | 00H  | $V_{PP}$ min. (00H = no $V_{PP}$ pin)   |
| 1EH     | 00H  | $V_{PP}$ max. (00H = no $V_{PP}$ pin)   |
| 1FH     | 03H  | Typical time out for Byte-Program $2^N \mu s$ ( $2^3 = 8 \mu s$ )   |
| 20H     | 00H  | Typical time out for min. size buffer program $2^N \mu s$ (00H = not supported)   |
| 21H     | 04H  | Typical time out for individual Sector/Block-Erase $2^N ms$ ( $2^4 = 16 ms$ )   |
| 22H     | 05H  | Typical time out for Chip-Erase $2^N ms$ ( $2^5 = 32 ms$ )  |
| 23H     | 01H  | Maximum time out for Byte-Program $2^N$ times typical ( $2^1 \times 2^3 = 16 \mu s$ )                                       |
| 24H     | 00H  | Maximum time out for buffer program $2^N$ times typical   |
| 25H     | 01H  | Maximum time out for individual Sector/Block-Erase $2^N$ times typical ( $2^1 \times 2^4 = 32 ms$ )                         |
| 26H     | 01H  | Maximum time out for Chip-Erase $2^N$ times typical ( $2^1 \times 2^5 = 64 ms$ )  |

T8.1 25040

**Table 9:** Device Geometry Information

| Address | Data | Data   |
|---------|------|--|
| 27H     | 15H  | Device size = $2^N$ Bytes (15H = 21; $2^{21}$ = 2 MByte)                 |
| 28H     | 00H  | Flash Device Interface description; 00H = x8-only asynchronous interface |
| 29H     | 00H  |  |
| 2AH     | 00H  | Maximum number of byte in multi-byte write = $2^N$ (00H = not supported) |
| 2BH     | 00H  |  |
| 2CH     | 02H  | Number of Erase Sector/Block sizes supported by device                   |
| 2DH     | FFH  | Sector Information (y + 1 = Number of sectors; z x 256B = sector size)   |
| 2EH     | 01H  |  |
| 2FH     | 10H  | z = 16 x 256 Bytes = 4 KByte/sector (0010H = 16)                         |
| 30H     | 00H  |  |
| 31H     | 1FH  | Block Information (y + 1 = Number of blocks; z x 256B = block size)      |
| 32H     | 00H  |  |
| 33H     | 00H  | z = 256 x 256 Bytes = 64 KByte/block (0100H = 256)                       |
| 34H     | 01H  |  |

T9.1 25040



# 16 Mbit Multi-Purpose Flash Plus

## SST39VF1681 / SST39VF1682

Data Sheet

**Absolute Maximum Stress Ratings** (Applied conditions greater than those listed under “Absolute Maximum Stress Ratings” may cause permanent damage to the device. This is a stress rating only and functional operation of the device at these conditions or conditions greater than those defined in the operational sections of this data sheet is not implied. Exposure to absolute maximum stress rating conditions may affect device reliability.)

Temperature Under Bias . . . . . -55°C to +125°C  
 Storage Temperature . . . . . -65°C to +150°C  
 D. C. Voltage on Any Pin to Ground Potential . . . . . -0.5V to V<sub>DD</sub>+0.5V  
 Transient Voltage (<20 ns) on Any Pin to Ground Potential . . . . . -2.0V to V<sub>DD</sub>+2.0V  
 Voltage on A<sub>9</sub> Pin to Ground Potential . . . . . -0.5V to 13.2V  
 Package Power Dissipation Capability (Ta = 25°C) . . . . . 1.0W  
 Surface Mount Lead Soldering Temperature (3 Seconds) . . . . . 240°C  
 Output Short Circuit Current<sup>1</sup> . . . . . 50 mA

1. Outputs shorted for no more than one second. No more than one output shorted at a time.

**Table 10:Operating Range**

| Range      | Ambient Temp   | V <sub>DD</sub> |
|------------|----------------|-----------------|
| Commercial | 0°C to +70°C   | 2.7-3.6V        |
| Industrial | -40°C to +85°C | 2.7-3.6V        |

T10.1 25040

**Table 11:AC Conditions of Test<sup>1</sup>**

| Input Rise/Fall Time | Output Load            |
|----------------------|------------------------|
| 5ns                  | C <sub>L</sub> = 30 pF |

T11.1 25040

1. See Figures 18 and 19



**Table 12:** DC Operating Characteristics  $V_{DD} = 2.7-3.6V^1$

| Symbol           | Parameter                                 | Limits               |     |       | Test Conditions   |
|------------------|---|----------------------|-----|-------|---|
|                  |   | Min                  | Max | Units |   |
| I <sub>DD</sub>  | Power Supply Current                      |                      |     |       | Address input= $V_{ILT}/V_{IHT}^2$ , at f=5 MHz, $V_{DD}=V_{DD} \text{ Max}$<br>CE#=V <sub>IL</sub> , OE#=WE#=V <sub>IH</sub> , all I/Os open |
|                  | Read <sup>3</sup>                         |                      | 18  | mA    |   |
|                  | Program and Erase                         |                      | 35  | mA    |   |
| I <sub>SB</sub>  | Standby V <sub>DD</sub> Current           |                      | 20  | μA    | CE#=V <sub>IHC</sub> , V <sub>DD</sub> =V <sub>DD</sub> Max   |
| I <sub>ALP</sub> | Auto Low Power                            |                      | 20  | μA    | CE#=V <sub>ILC</sub> , V <sub>DD</sub> =V <sub>DD</sub> Max<br>All inputs=V <sub>SS</sub> or V <sub>DD</sub> , WE#=V <sub>IHC</sub>           |
| I <sub>LI</sub>  | Input Leakage Current                     |                      | 1   | μA    | V <sub>IN</sub> =GND to V <sub>DD</sub> , V <sub>DD</sub> =V <sub>DD</sub> Max  |
| I <sub>LIW</sub> | Input Leakage Current on WP# pin and RST# |                      | 10  | μA    | WP#=GND to V <sub>DD</sub> or RST#=GND to V <sub>DD</sub>   |
| I <sub>LO</sub>  | Output Leakage Current                    |                      | 10  | μA    | V <sub>OUT</sub> =GND to V <sub>DD</sub> , V <sub>DD</sub> =V <sub>DD</sub> Max   |
| V <sub>IL</sub>  | Input Low Voltage                         |                      | 0.8 | V     | V <sub>DD</sub> =V <sub>DD</sub> Min  |
| V <sub>ILC</sub> | Input Low Voltage (CMOS)                  |                      | 0.3 | V     | V <sub>DD</sub> =V <sub>DD</sub> Max  |
| V <sub>IH</sub>  | Input High Voltage                        | 0.7V <sub>DD</sub>   |     | V     | V <sub>DD</sub> =V <sub>DD</sub> Max  |
| V <sub>IHC</sub> | Input High Voltage (CMOS)                 | V <sub>DD</sub> -0.3 |     | V     | V <sub>DD</sub> =V <sub>DD</sub> Max  |
| V <sub>OL</sub>  | Output Low Voltage                        |                      | 0.2 | V     | I <sub>OL</sub> =100 μA, V <sub>DD</sub> =V <sub>DD</sub> Min   |
| V <sub>OH</sub>  | Output High Voltage                       | V <sub>DD</sub> -0.2 |     | V     | I <sub>OH</sub> =-100 μA, V <sub>DD</sub> =V <sub>DD</sub> Min  |

- T12.8 25040
1. Typical conditions for the Active Current shown on the front page of the data sheet are average values at 25°C (room temperature), and V<sub>DD</sub> = 3V. Not 100% tested.
  2. See Figure 18
  3. The I<sub>DD</sub> current listed is typically less than 2mA/MHz, with OE# at V<sub>IH</sub>. Typical V<sub>DD</sub> is 3V.

**Table 13:** Recommended System Power-up Timings

| Symbol                             | Parameter                           | Minimum | Units |
|------------------------------------|-------------------------------------|---------|-------|
| T <sub>PU-READ</sub> <sup>1</sup>  | Power-up to Read Operation          | 100     | μs    |
| T <sub>PU-WRITE</sub> <sup>1</sup> | Power-up to Program/Erase Operation | 100     | μs    |

- T13.0 25040
1. This parameter is measured only for initial qualification and after a design or process change that could affect this parameter.

**Table 14:** Capacitance (T<sub>a</sub> = 25°C, f=1 MHz, other pins open)

| Parameter                     | Description         | Test Condition        | Maximum |
|-------------------------------|---------------------|-----------------------|---------|
| C <sub>I/O</sub> <sup>1</sup> | I/O Pin Capacitance | V <sub>I/O</sub> = 0V | 12 pF   |
| C <sub>IN</sub> <sup>1</sup>  | Input Capacitance   | V <sub>IN</sub> = 0V  | 6 pF    |

- T14.0 25040
1. This parameter is measured only for initial qualification and after a design or process change that could affect this parameter.

**Table 15:** Reliability Characteristics

| Symbol          | Parameter      | Minimum Specification | Units  | Test Method         |
|-----------------|----------------|-----------------------|--------|---------------------|
| $N_{END}^{1,2}$ | Endurance      | 10,000                | Cycles | JEDEC Standard A117 |
| $T_{DR}^1$      | Data Retention | 100                   | Years  | JEDEC Standard A103 |
| $I_{LTH}^1$     | Latch Up       | $100 + I_{DD}$        | mA     | JEDEC Standard 78   |

- T15.2 25040
1. This parameter is measured only for initial qualification and after a design or process change that could affect this parameter.
  2.  $N_{END}$  endurance rating is qualified as a 10,000 cycle minimum for the whole device. A sector- or block-level rating would result in a higher minimum specification.

## AC Characteristics

**Table 16:** Read Cycle Timing Parameters  $V_{DD} = 2.7-3.6V$ 

| Symbol         | Parameter                       | SST39VF168x-70 |     | Units   |
|----------------|---------------------------------|----------------|-----|---------|
|                |                                 | Min            | Max |         |
| $T_{RC}$       | Read Cycle Time                 | 70             |     | ns      |
| $T_{CE}$       | Chip Enable Access Time         |                | 70  | ns      |
| $T_{AA}$       | Address Access Time             |                | 70  | ns      |
| $T_{OE}$       | Output Enable Access Time       |                | 35  | ns      |
| $T_{CLZ}^1$    | CE# Low to Active Output        | 0              |     | ns      |
| $T_{OLZ}^1$    | OE# Low to Active Output        | 0              |     | ns      |
| $T_{CHZ}^1$    | CE# High to High-Z Output       |                | 20  | ns      |
| $T_{OHZ}^1$    | OE# High to High-Z Output       |                | 20  | ns      |
| $T_{OH}^1$     | Output Hold from Address Change | 0              |     | ns      |
| $T_{RP}^1$     | RST# Pulse Width                | 500            |     | ns      |
| $T_{RHR}^1$    | RST# High before Read           | 50             |     | ns      |
| $T_{RY}^{1,2}$ | RST# Pin Low to Read Mode       |                | 20  | $\mu$ s |

- T16.1 25040
1. This parameter is measured only for initial qualification and after a design or process change that could affect this parameter.
  2. This parameter applies to Sector-Erase, Block-Erase, and Program operations. This parameter does not apply to Chip-Erase operations.

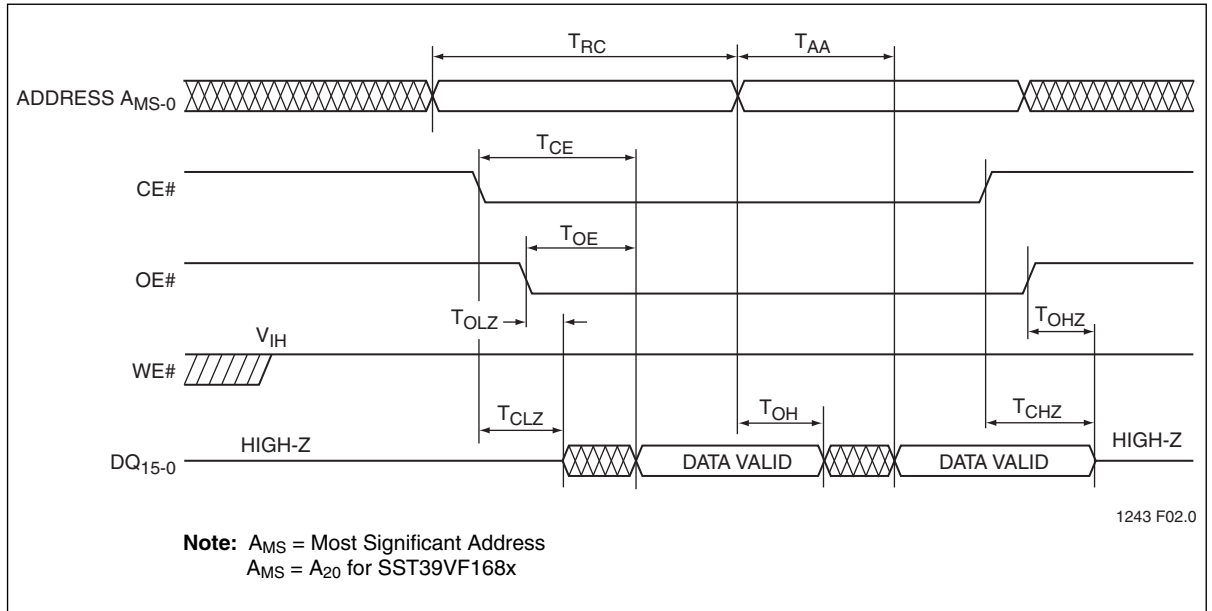
**Table 17:** Program/Erase Cycle Timing Parameters

| Symbol                        | Parameter                        | Min | Max | Units |
|-------------------------------|----------------------------------|-----|-----|-------|
| T <sub>BP</sub>               | Byte-Program Time                |     | 10  | μs    |
| T <sub>AS</sub>               | Address Setup Time               | 0   |     | ns    |
| T <sub>AH</sub>               | Address Hold Time                | 30  |     | ns    |
| T <sub>CS</sub>               | WE# and CE# Setup Time           | 0   |     | ns    |
| T <sub>CH</sub>               | WE# and CE# Hold Time            | 0   |     | ns    |
| T <sub>OES</sub>              | OE# High Setup Time              | 0   |     | ns    |
| T <sub>OEH</sub>              | OE# High Hold Time               | 10  |     | ns    |
| T <sub>CP</sub>               | CE# Pulse Width                  | 40  |     | ns    |
| T <sub>WP</sub>               | WE# Pulse Width                  | 40  |     | ns    |
| T <sub>WPH</sub> <sup>1</sup> | WE# Pulse Width High             | 30  |     | ns    |
| T <sub>CPH</sub> <sup>1</sup> | CE# Pulse Width High             | 30  |     | ns    |
| T <sub>DS</sub>               | Data Setup Time                  | 30  |     | ns    |
| T <sub>DH</sub> <sup>1</sup>  | Data Hold Time                   | 0   |     | ns    |
| T <sub>IDA</sub> <sup>1</sup> | Software ID Access and Exit Time | 150 |     | ns    |
| T <sub>SE</sub>               | Sector-Erase                     |     | 25  | ms    |
| T <sub>BE</sub>               | Block-Erase                      |     | 25  | ms    |
| T <sub>SCE</sub>              | Chip-Erase                       |     | 50  | ms    |

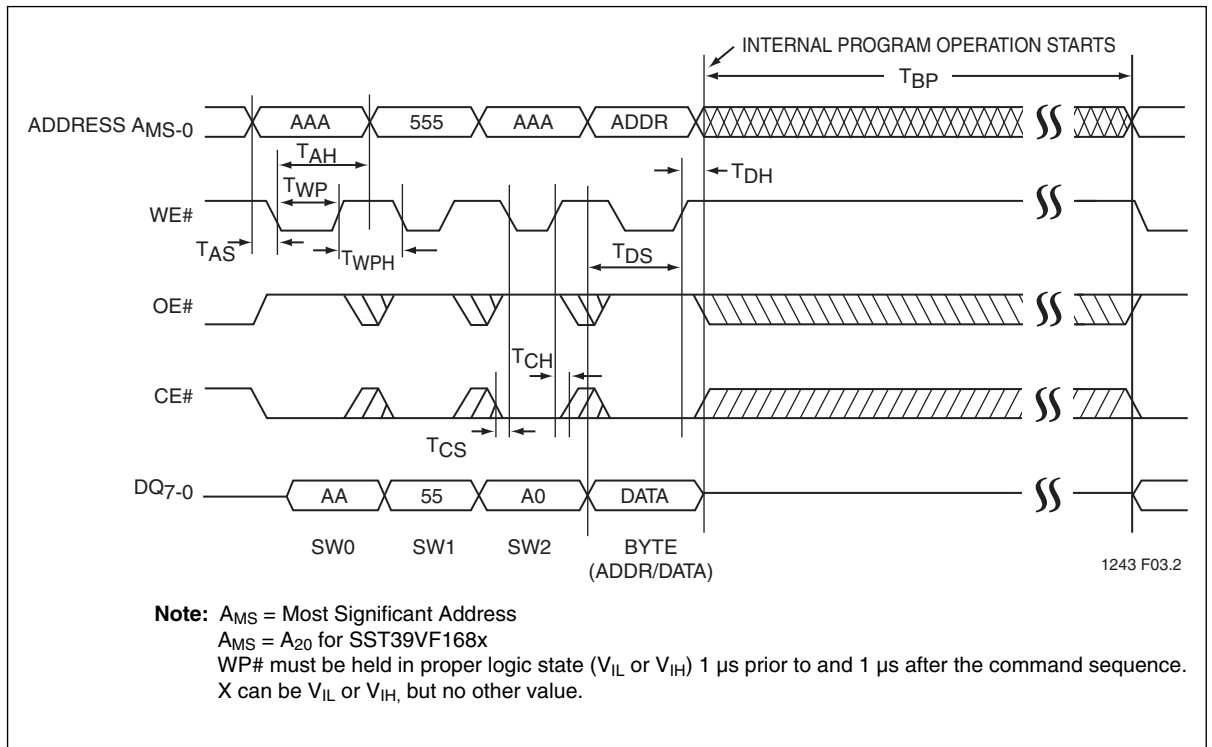
T17.0 25040

1. This parameter is measured only for initial qualification and after a design or process change that could affect this parameter.





**Figure 4:** Read Cycle Timing Diagram



**Figure 5:** WE# Controlled Program Cycle Timing Diagram



**Figure 6:** CE# Controlled Program Cycle Timing Diagram



**Figure 7:** Data# Polling Timing Diagram



**Figure 8:** Toggle Bits Timing Diagram



**Figure 9:** WE# Controlled Chip-Erase Timing Diagram



**Figure 10:WE# Controlled Block-Erase Timing Diagram**



**Figure 11:** WE# Controlled Sector-Erase Timing Diagram







**Figure 16:** RST# Timing Diagram (When no internal operation is in progress)



**Figure 17:** RST# Timing Diagram (During Program or Erase operation)





**Figure 18:** AC Input/Output Reference Waveforms



**Figure 19:** A Test Load Example



**Figure 20:**Byte-Program Algorithm

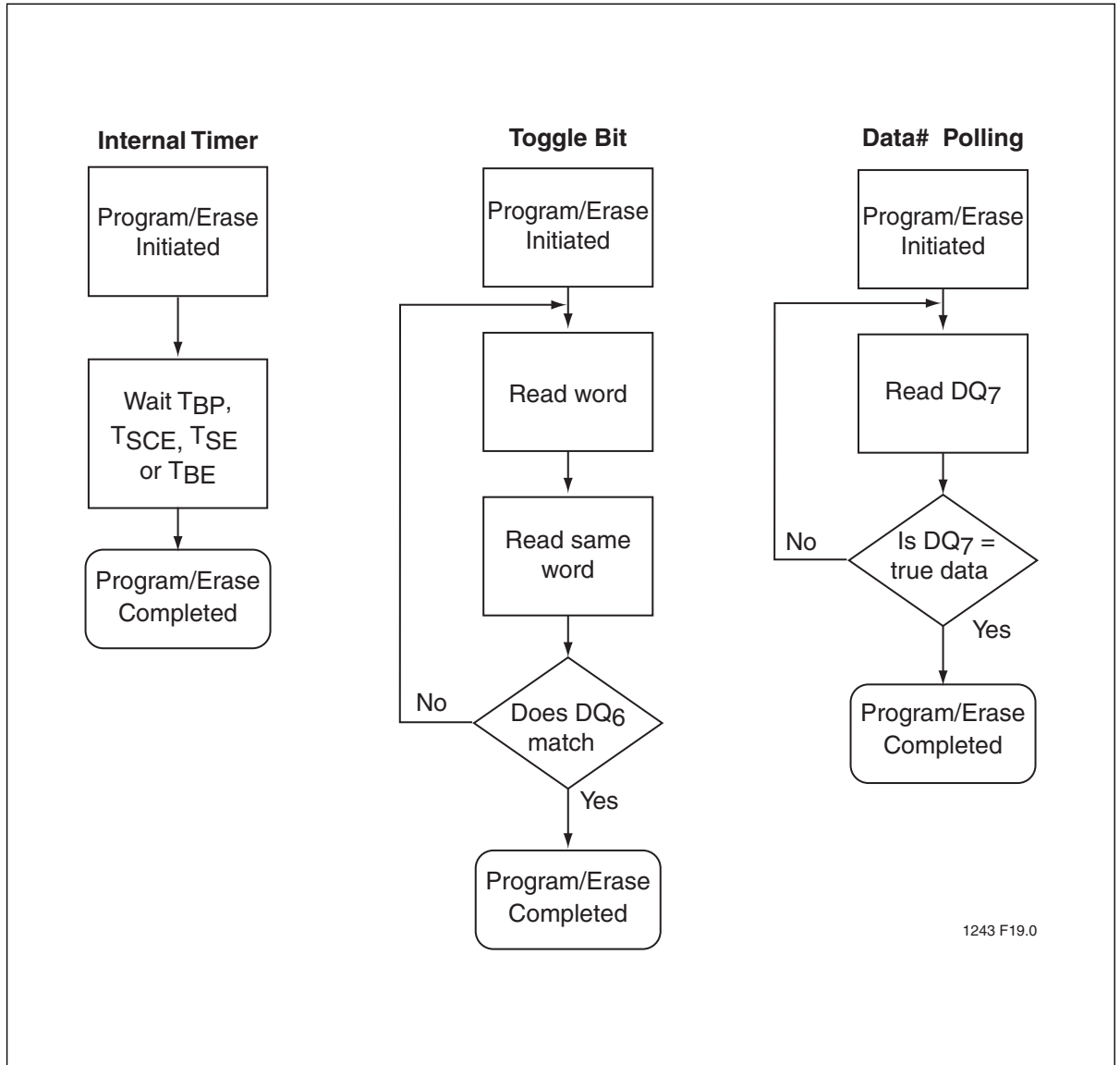


Figure 21: Wait Options



**Figure 22:** Software ID/CFI Entry Command Flowcharts



**Figure 23:** Software ID/CFI Exit Command Flowcharts



**Figure 24:** Erase Command Sequence



### Product Ordering Information




---

1. Environmental suffix "E" denotes non-Pb solder.  
SST non-Pb solder devices are "RoHS Compliant".

#### Valid Combinations for SST39VF1681

- |                       |                        |
|-----------------------|------------------------|
| SST39VF1681-70-4C-EKE | SST39VF1681-70-4C-B3KE |
| SST39VF1681-70-4I-EKE | SST39VF1681-70-4I-B3KE |

#### Valid Combinations for SST39VF1682

- |                       |                        |
|-----------------------|------------------------|
| SST39VF1682-70-4C-EKE | SST39VF1682-70-4C-B3KE |
| SST39VF1682-70-4I-EKE | SST39VF1682-70-4I-B3KE |

**Note:** Valid combinations are those products in mass production or will be in mass production. Consult your SST sales representative to confirm availability of valid combinations and to determine availability of new combinations.

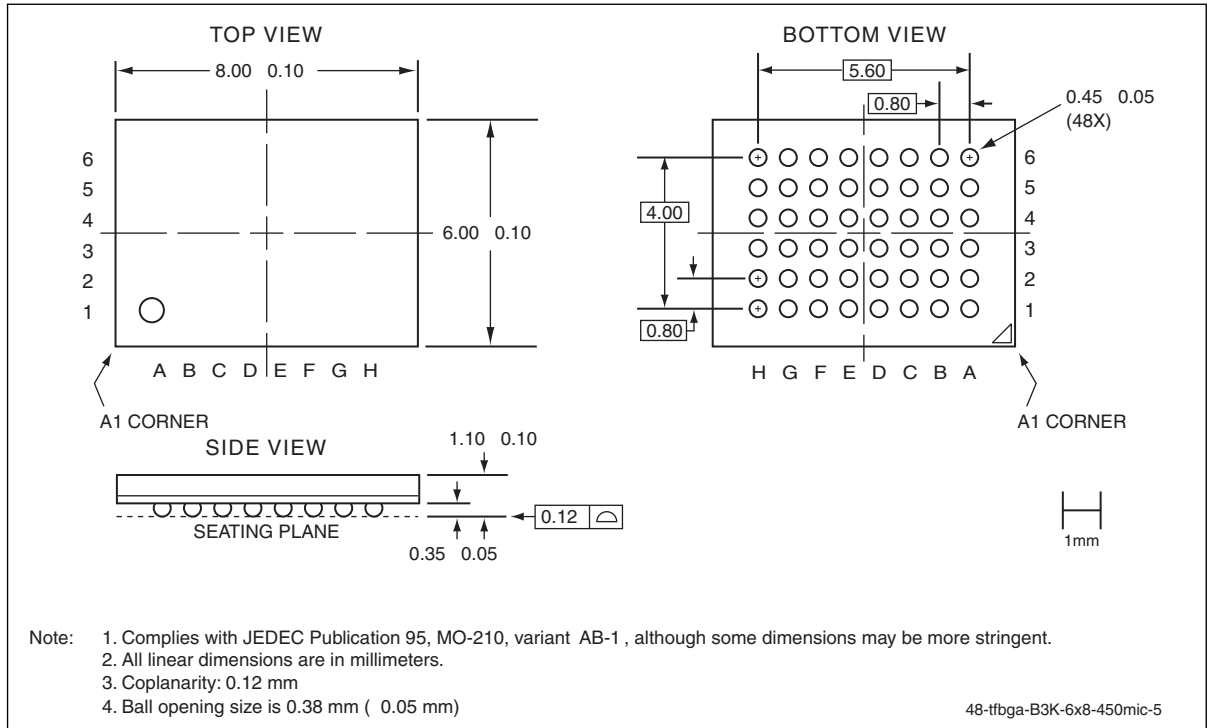


### Packaging Diagrams



**Figure 25:**48-lead Thin Small Outline Package (TSOP) 12mm x 20mm  
SST Package Code: EK





**Figure 26:**48-ball Thin-profile, Fine-pitch Ball Grid Array (TFBGA) 6mm x 8mm  
SST Package Code: B3K



**Table 18:**Revision History

| Number | Description   | Date     |
|--------|---|----------|
| 00     | <ul style="list-style-type: none"> <li>Initial release</li> </ul>   | May 2003 |
| 01     | <ul style="list-style-type: none"> <li>Change product number from 166x to 168x</li> </ul>   | Sep 2003 |
| 02     | <ul style="list-style-type: none"> <li>Added B3K package and associated MPNs (See page 31)</li> <li>Removed 90 ns Commercial temperature for the EK and EKE packages</li> </ul>   | Oct 2003 |
| 03     | <ul style="list-style-type: none"> <li>2004 Data Book</li> <li>Updated B3K package diagram</li> </ul>   | Nov 2003 |
| A      | <ul style="list-style-type: none"> <li>Updated document status to "Data Sheet."</li> <li>Removed all 90ns information. Edited "Features" on page 1, "Product Ordering Information" on page 31, and Table 16 on page 15.</li> <li>Updated T<sub>IDA</sub> information in Table 17 on page 16</li> <li>Applied new document format</li> <li>Released document under the letter revision system</li> <li>Updated spec number from S71243 to DS25040</li> </ul> | May 2011 |

ISBN:978-1-61341-202-2

© 2011 Silicon Storage Technology, Inc—a Microchip Technology Company. All rights reserved.

SST, Silicon Storage Technology, the SST logo, SuperFlash, MTP, and FlashFlex are registered trademarks of Silicon Storage Technology, Inc. MPF, SQI, Serial Quad I/O, and Z-Scale are trademarks of Silicon Storage Technology, Inc. All other trademarks and registered trademarks mentioned herein are the property of their respective owners.

Specifications are subject to change without notice. Refer to [www.microchip.com](http://www.microchip.com) for the most recent documentation. For the most current package drawings, please see the Packaging Specification located at <http://www.microchip.com/packaging>.

Memory sizes denote raw storage capacity; actual usable capacity may be less.

SST makes no warranty for the use of its products other than those expressly contained in the Standard Terms and Conditions of Sale.

For sales office(s) location and information, please see [www.microchip.com](http://www.microchip.com).

---

Silicon Storage Technology, Inc.  
A Microchip Technology Company  
[www.microchip.com](http://www.microchip.com)

---



Компания «ЭлектроПласт» предлагает заключение долгосрочных отношений при поставках импортных электронных компонентов на взаимовыгодных условиях!

Наши преимущества:

- Оперативные поставки широкого спектра электронных компонентов отечественного и импортного производства напрямую от производителей и с крупнейших мировых складов;
- Поставка более 17-ти миллионов наименований электронных компонентов;
- Поставка сложных, дефицитных, либо снятых с производства позиций;
- Оперативные сроки поставки под заказ (от 5 рабочих дней);
- Экспресс доставка в любую точку России;
- Техническая поддержка проекта, помощь в подборе аналогов, поставка прототипов;
- Система менеджмента качества сертифицирована по Международному стандарту ISO 9001;
- Лицензия ФСБ на осуществление работ с использованием сведений, составляющих государственную тайну;
- Поставка специализированных компонентов (Xilinx, Altera, Analog Devices, Intersil, Interpoint, Microsemi, Aeroflex, Peregrine, Syfer, Eurofarad, Texas Instrument, Miteq, Cobham, E2V, MA-COM, Hittite, Mini-Circuits, General Dynamics и др.);

Помимо этого, одним из направлений компании «ЭлектроПласт» является направление «Источники питания». Мы предлагаем Вам помощь Конструкторского отдела:

- Подбор оптимального решения, техническое обоснование при выборе компонента;
- Подбор аналогов;
- Консультации по применению компонента;
- Поставка образцов и прототипов;
- Техническая поддержка проекта;
- Защита от снятия компонента с производства.



#### Как с нами связаться

**Телефон:** 8 (812) 309 58 32 (многоканальный)

**Факс:** 8 (812) 320-02-42

**Электронная почта:** [org@eplast1.ru](mailto:org@eplast1.ru)

**Адрес:** 198099, г. Санкт-Петербург, ул. Калинина, дом 2, корпус 4, литера А.