



OBSOLETE PRODUCT
Last time buy: 3 March 2014
Click here for more information.

Features

- No external I/O filtering required
- +10.8V to +13.6V input
- +5V (±50mV), 5 Amp output
- Synchronous-rectifier topology
- 300kHz switching frequency
- Low output noise, 60mVp-p
- Quick transient response, 30µsec
- High efficiency, 91%
- -40 to +70°C operation with no derating
- On/off control; Undervoltage shutdown
- Output trim capability (3.3V to 6V)
- 1" x 2" metal package; EMC compliant
- IEC950/EN60950/UL1950 pending
- Modifications and customs for OEM's

When your new tapping in 12V-to-5V Amps of current. T

lutely no external filtering to achieve specified performance. The UNR-5/5-D12 achieves its high power density (25W/in³) through circuit topology and packaging. Its 91% efficient, fixed-frequency (300kHz), synchronous-rectifier design is packaged, with thermally conductive potting compound, in a heat-radiating, black metal case. It achieves low cost and high reliability through its use of proven, fully automated, SMT-on-pcb assembly techniques. Consequently, every 1 Amp of 12V current gives you 2.2 Amps of additional 5V current at an incremental cost.

The impressively efficient UNR-5/5-D12 delivers its full rated 25W output power over the -40 to +70°C ambient temperature range without heat sinking or forced-air cooling. Units derate to +100°C ambient. Devices are fully line (±0.25% max.) and load (±0.5% max.) regulated and feature user-optional remote on/off control and output-voltage trim capabilities (from 3.3 to 6 Volts).

If you need more 5V current and you've already rejected the use of inefficient, step-down, linear regulators, take a look at one of Murata Power Solutions' "switchers." Their high efficiency and ease of use may surprise you. Safety agency approvals and full EM/EMC characterization tests are currently in progress.

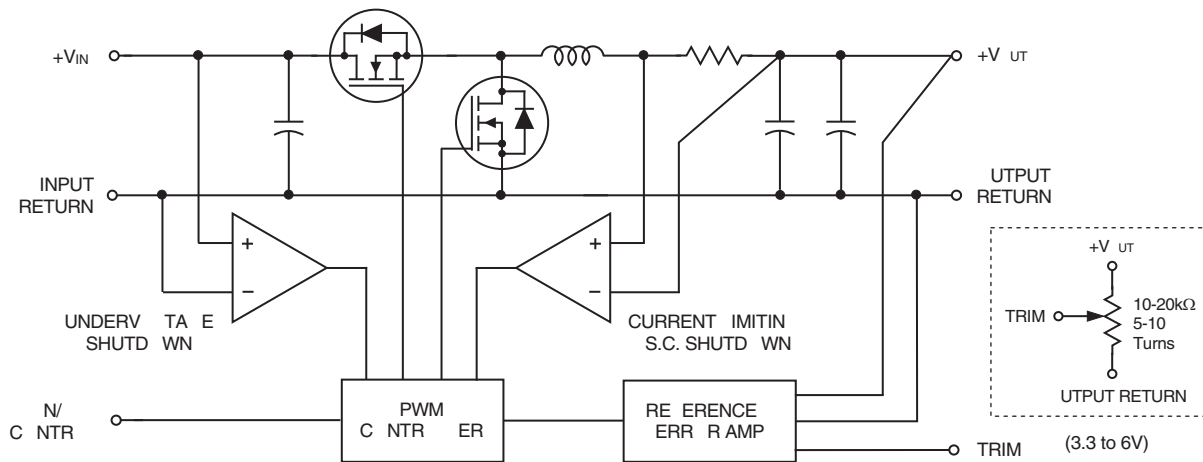


Figure 1. Simplified Schematic

Typical topology is shown.



For full details go to www.murata-ps.com/rohs

Single Output, Non-Isolated, 12V-to-5V
5 Amp, DC/DC Converters

Performance/Functional Specifications

Typical @ TA = +25°C under nominal line voltage and full-load conditions, with no external I/O filtering, unless noted. ①

Input	
Input Voltage Range	10.8-13.6 Volts (12V nominal)
Input Current ②	40/2290mA
Input Filter Type	Capacitive
Overshoot Protection	None
Reverse-Polarity Protection	None
Start-Up Threshold ③	10.2V typical, 10.4V maximum
Undervoltage Shutdown ③	9.6V typical, 8.2V minimum
On/Off Control (Pin 3) ④	TTL high (or open) = on, low = off
Output	
V _{OUT} Accuracy (50% load)	±1% (±50mV) maximum
Temperature Coefficient	±0.02% per °C
Ripple/Noise (20MHz BW) ⑤	60mVp-p typical, 85mVp-p maximum
Line/Load Regulation	±0.25% maximum/±0.5% maximum
Efficiency	91% typical, 87% minimum
Current Limiting ⑥	Auto-recovery
Dynamic Characteristics	
Transient Response (50% load step)	30µsec to ±1% of final value
Switching Frequency	300kHz (±30kHz)
Environmental	
Operating Temperature (Ambient):	
Without Derating	-40 to +70°C
With Derating	to +100°C (Straight line to 0 Watts)
Storage Temperature	-40 to +105°C
Physical	
Dimensions	2" x 1" x 0.48" (51 x 25 x 12.2mm)
Shielding	5-sided
Case Connection	Pin 2 (Input Return)
Case Material	Corrosion resistant steel with non-conductive, epoxy-based, black enamel finish and plastic baseplate
Pin Material	RoHS: Gold plate over copper alloy Non-RoHS: Pure tin over copper alloy
Weight	1.6 ounces (45.4 grams)
Flammability	UL 94V-0

Absolute Maximum Ratings

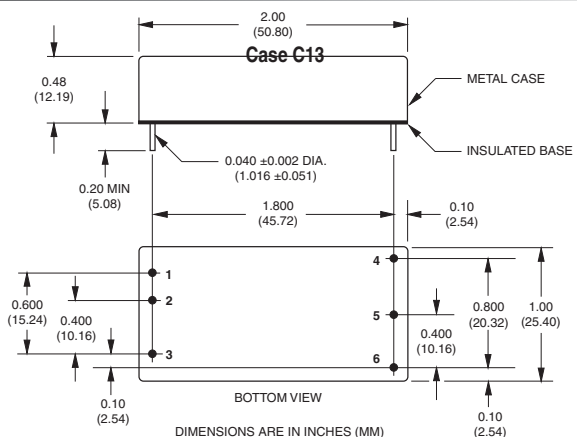
Input Voltage	15 Volts
Output Current	Current limited. Devices can withstand a sustained output short circuit without damage.
Storage Temperature	-40 to +105°C
Lead Temperature (soldering, 10 sec.)	+300°C

These are stress ratings. Exposure of devices to any of these conditions may adversely affect long-term reliability. Proper operation under conditions other than those listed in the Performance/Functional Specifications Table is not implied.

On/Off Control Functionality

The On/Off Control pin has an internal 10kΩ pull-up resistor to +V_{IN}. It can be driven with any logic circuit capable of meeting the following drive requirements. Logic "0" = 0 to +0.8V. Logic "1" = +2.0V to +V_{IN}. I_{IH} (@ V_{IN} = +2.0V) = -1.2mA. I_{IL} (@ V_{IN} = 0V) = -1.4mA. Open collector logic or a single NPN drive transistor can be used. The drive circuit should be rated for more than 13.6V. Applying a voltage to pin 3 when no input power is applied to the converter can cause permanent damage to the converter.

MECHANICAL SPECIFICATIONS



I/O Connections	
Pin	Function P21
1	+Input
2	Input Return
3	On/Off Control
4	+Output
5	Output Return
6	Trim

Note:

The case is connected to pin 2 (Input Return).

UNR-5/5-D12 Non-Isolated, 12V-to-5V, 25 Watt, DC/DC Converter
UNR-5/5-D12-C RoHS version

Murata Power Solutions, Inc.
11 Cabot Boulevard, Mansfield, MA 02048-1151 U.S.A.
ISO 9001 and 14001 REGISTERED



This product is subject to the following [operating requirements](#) and the [Life and Safety Critical Application Sales Policy](#):
Refer to: <http://www.murata-ps.com/requirements/>

Murata Power Solutions, Inc. makes no representation that the use of its products in the circuits described herein, or the use of other technical information contained herein, will not infringe upon existing or future patent rights. The descriptions contained herein do not imply the granting of licenses to make, use, or sell equipment constructed in accordance therewith. Specifications are subject to change without notice. © 2013 Murata Power Solutions, Inc.



Компания «ЭлектроПласт» предлагает заключение долгосрочных отношений при поставках импортных электронных компонентов на взаимовыгодных условиях!

Наши преимущества:

- Оперативные поставки широкого спектра электронных компонентов отечественного и импортного производства напрямую от производителей и с крупнейших мировых складов;
- Поставка более 17-ти миллионов наименований электронных компонентов;
- Поставка сложных, дефицитных, либо снятых с производства позиций;
- Оперативные сроки поставки под заказ (от 5 рабочих дней);
- Экспресс доставка в любую точку России;
- Техническая поддержка проекта, помощь в подборе аналогов, поставка прототипов;
- Система менеджмента качества сертифицирована по Международному стандарту ISO 9001;
- Лицензия ФСБ на осуществление работ с использованием сведений, составляющих государственную тайну;
- Поставка специализированных компонентов (Xilinx, Altera, Analog Devices, Intersil, Interpoint, Microsemi, Aeroflex, Peregrine, Syfer, Eurofarad, Texas Instrument, Miteq, Cobham, E2V, MA-COM, Hittite, Mini-Circuits, General Dynamics и др.);

Помимо этого, одним из направлений компании «ЭлектроПласт» является направление «Источники питания». Мы предлагаем Вам помощь Конструкторского отдела:

- Подбор оптимального решения, техническое обоснование при выборе компонента;
- Подбор аналогов;
- Консультации по применению компонента;
- Поставка образцов и прототипов;
- Техническая поддержка проекта;
- Защита от снятия компонента с производства.



Как с нами связаться

Телефон: 8 (812) 309 58 32 (многоканальный)

Факс: 8 (812) 320-02-42

Электронная почта: org@eplast1.ru

Адрес: 198099, г. Санкт-Петербург, ул. Калинина, дом 2, корпус 4, литера А.