

# Programmable - High Performance SMD XO & VCXO

ASG-D Series



RoHS  
Compliant



7.0 x 5.0 x 1.9mm

## FEATURES:

- ASG series is a High Performance crystal based oscillator; available either as an XO or a VCXO
- Frequency range from 10MHz to 250MHz with LVCMOS output
- Available from 10MHz to 1.50GHz with LVDS or LVPECL output
- Offered with either 2.50V or 3.30V bias voltage
- Quick turn, 1~5 business days for small quantity orders

## APPLICATIONS:

- Networking, SONET/SDH
- WiMax / WLAN
- Computing
- Phase Locked Loops
- Direct Digital Synthesis (DDS)
- DSL/ADSL
- Base Terminal Stations

## STANDARD SPECIFICATIONS:

| Parameters  |                                  | Minimum  | Typical  | Maximum         | Units | Notes               |
|---|----------------------------------|--|----------|-----------------|-------|---------------------|
| Frequency Range:  | V <sub>dd</sub> = 3.3V           | 10   |          | 1500            | MHz   |                     |
|   | V <sub>dd</sub> = 2.5V           | 10   |          | 1500            | MHz   |                     |
| Operating Temperature:  |                                  | -40  |          | +85             | °C    |                     |
| Storage Temperature:  |                                  | -55  |          | +125            | °C    |                     |
| Overall Frequency Stability:                                    |                                  | -50  |          | +50             | ppm   | <i>See Note # 1</i> |
| Initial Set Tolerance   |                                  | -5.00  | ≤ ±1.00  | +5.00           | ppm   |                     |
| Stability over operating temperature                            |                                  | -35.00   | ≤ ±20.00 | +35.00          | ppm   |                     |
| Aging @ 25°C over 10-years                                      |                                  | -7.00  |          | +7.00           | ppm   |                     |
| Frequency variation over supply voltage change (±5%)            |                                  | -2.00  |          | +2.00           | ppm   |                     |
| Frequency variation over load variation (15pF ± 5%)             |                                  | -1.00  |          | +1.00           | ppm   |                     |
| Supply Voltage (V <sub>dd</sub> ):                              | V <sub>dd</sub> = 3.3V           | 3.135  | 3.300    | 3.465           | V     |                     |
|   | V <sub>dd</sub> = 2.5V           | 2.375  | 2.500    | 2.625           | V     |                     |
| Input Current:  | V <sub>dd</sub> = 3.3V           |  | < 25     | 40              | mA    | Frequency dependent |
|   | V <sub>dd</sub> = 2.5V           |  | < 25     | 35              | mA    | Frequency dependent |
| LVDS Output (Out & <i>Out</i> ):                                | Differential Output Voltage      | 175  | 350      |                 | mV    | V <sub>OD</sub>     |
|   | V <sub>OD</sub> Magnitude Change |  |          | 50              | mV    | ΔV <sub>OD</sub>    |
|   | Offset Voltage                   |  | 1.25     |                 | V     | V <sub>OS</sub>     |
|   | V <sub>OS</sub> Magnitude Change |  |          | 50              | mV    | ΔV <sub>OS</sub>    |
|   | Duty Cycle                       | 45   | 48/52    | 55              | %     | ODC <sub>LVDS</sub> |
|   | Rise Time                        | 125  |          | 350             | ps    | t <sub>R</sub>      |
|   | Fall Time                        | 150  |          | 450             | ps    | t <sub>F</sub>      |
| Start-up Time:  |                                  |  | ≤ 2.0    | 3.0             | ms    |                     |
| Enable/Disable Function :                                       |                                  | "1" (V <sub>IH</sub> ≥ 0.7*V <sub>dd</sub> ) or Open: Oscillation<br>"0" (V <sub>IL</sub> < 0.3*V <sub>dd</sub> ) : High Z |          |                 |       |                     |
| V <sub>control</sub> Range                                      |                                  | 0.00   |          | V <sub>dd</sub> | Volts | For VCXO            |
| Frequency Pull  |                                  | ±50  |          |                 | ppm   |                     |
| Control Port Bandwidth  |                                  | 10   |          |                 | kHz   |                     |
| Phase jitter RMS [ t <sub>jitt(φ)</sub> ]<br><i>See Note #2</i> | Integer Mode                     |  | < 0.60   | 1.60            | ps    | 12kHz to 20MHz      |
|   | Fractional Mode                  |  | < 0.90   | 1.60            | ps    | 12kHz to 20MHz      |

Note #1: Inclusive of initial tolerance at 25°C±3°C, operating temperature range, input voltage variation, load variation & aging.

Note #2: The rms jitter over 12kHz to 20MHz Bandwidth is dependent on the carrier and whether or not the final frequency is achieved without engaging the Fractional Mode

ABRACON IS  
ISO9001:2008  
CERTIFIED



**ABRACON**  
CORPORATION

Visit [www.abracon.com](http://www.abracon.com) for Terms & Conditions of Sale **Revised: 04.17.12**  
30332 Esperanza, Rancho Santa Margarita, California 92688  
tel 949-546-8000 | fax 949-546-8001 | [www.abracon.com](http://www.abracon.com)

# Programmable - High Performance SMD XO & VCXO

ASG-D Series

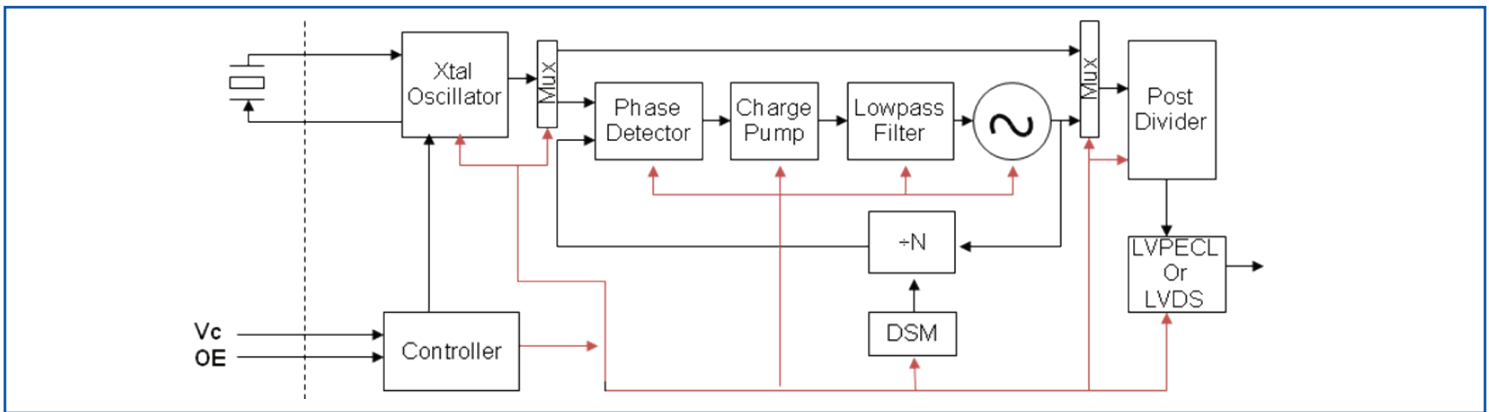


RoHS  
Compliant



7.0 x 5.0 x 1.9mm

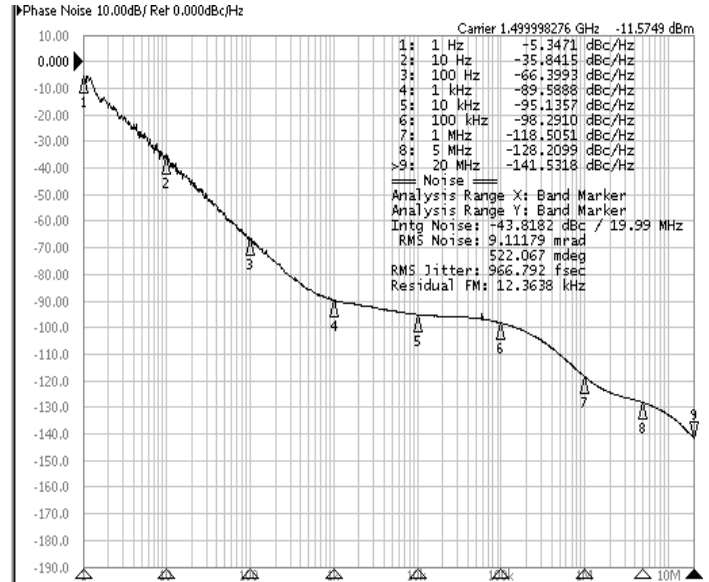
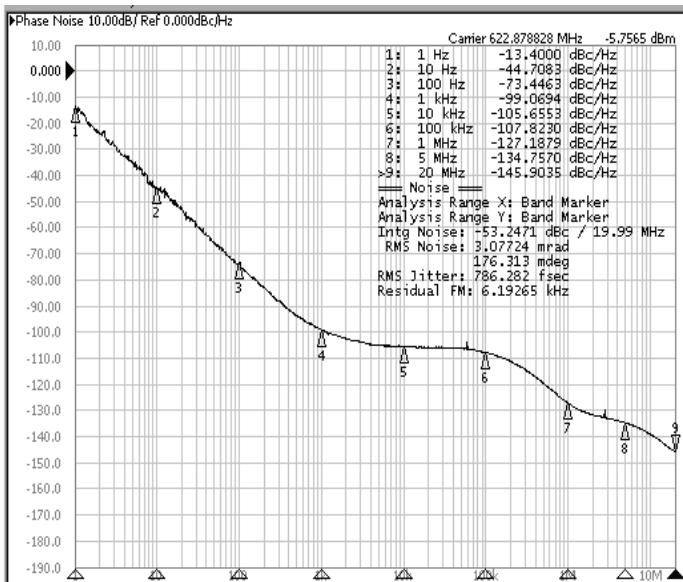
## OVERALL SYSTEM BLOCK DIAGRAM



## PHASE NOISE & JITTER CHARACTERISTICS

622.88MHz Carrier

1.50GHz Carrier



# Programmable - High Performance SMD XO & VCXO

ASG-D Series



RoHS  
Compliant



7.0 x 5.0 x 1.9mm

## FREQUENCY STABILITY VS. TEMPERATURE



## FREQUENCY PULLING VS. CONTROL VOLTAGE (VCXO MODE)



## PART IDENTIFICATION:

ASG - D - [ ] - [ ] - [ ] MHz - [ ]

| Fixed or Pull-able   |
|----------------------|
| X = Fixed Oscillator |
| V = VCXO             |

| Operating Voltage |
|-------------------|
| 3.30V = A         |
| 2.50V = B         |

| Frequency in MHz                    |
|-------------------------------------|
| Please specify the Frequency in MHz |
| e.g. 100.000 MHz                    |

| Packaging       |
|-----------------|
| Blank = Bulk    |
| T = Tape & Reel |

## MARKING:

Top Line:  
Bottom Line:

Pin# 1 Identifier

ASG  
GYWW

WW = Work Week

Year Code (B=2011, C=2012, etc.)

Internal Tracking Code

ABRACON IS  
ISO9001:2008  
CERTIFIED



**ABRACON**  
CORPORATION

Visit [www.abracon.com](http://www.abracon.com) for Terms & Conditions of Sale **Revised: 04.17.12**  
30332 Esperanza, Rancho Santa Margarita, California 92688  
tel 949-546-8000 | fax 949-546-8001 | [www.abracon.com](http://www.abracon.com)

# Programmable - High Performance SMD XO & VCXO

ASG-D Series



RoHS  
Compliant

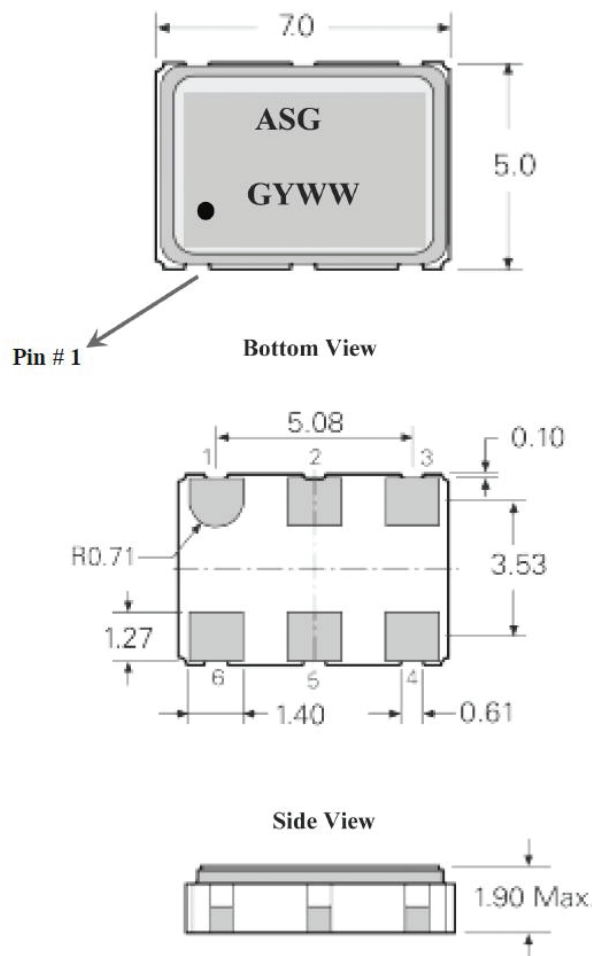


7.0 x 5.0 x 1.9mm

## OUTLINE DIMENSIONS:

| Pin # | Pin Description<br>For VCXO configuration |
|-------|---|
| 1     | Voltage Control for VCXO                  |
| 2     | Output Enable (OE)                        |
| 3     | GND                                       |
| 4     | RF Output                                 |
| 5     | RF <i>Output</i>                          |
| 6     | Vdd                                       |

| Pin # | Pin Description<br>For XO configuration |
|-------|---|
| 1     | Output Enable (OE)                      |
| 2     | N/C for XO                              |
| 3     | GND                                     |
| 4     | RF Output                               |
| 5     | RF <i>Output</i>                        |
| 6     | Vdd                                     |



## REFLOW PROFILE:



ABRACON IS  
ISO9001:2008  
CERTIFIED



Visit [www.abracon.com](http://www.abracon.com) for Terms & Conditions of Sale **Revised: 04.17.12**  
30332 Esperanza, Rancho Santa Margarita, California 92688  
tel 949-546-8000 | fax 949-546-8001 | [www.abracon.com](http://www.abracon.com)

# Programmable - High Performance SMD XO & VCXO

ASG-D Series



RoHS  
Compliant



7.0 x 5.0 x 1.9mm

## TAPE & REEL:

T= Tape and reel (2,000pcs/reel)

### TAPE DETAIL (SCALE 2 : 1)



### REEL DETAIL (SCALE 1 : 2.5)



**ATTENTION:** Abracon Corporation's products are COTS – Commercial-Off-The-Shelf products; suitable for Commercial, Industrial and, where designated, Automotive Applications. Abracon's products are not specifically designed for Military, Aviation, Aerospace, Life-dependant Medical applications or any application requiring high reliability where component failure could result in loss of life and/or property. For applications requiring high reliability and/or presenting an extreme operating environment, written consent and authorization from Abracon Corporation is required. Please contact Abracon Corporation for more information.

ABRACON IS  
ISO9001:2008  
CERTIFIED

Visit [www.abracon.com](http://www.abracon.com) for Terms & Conditions of Sale **Revised: 04.17.12**  
30332 Esperanza, Rancho Santa Margarita, California 92688  
tel 949-546-8000 | fax 949-546-8001 | [www.abracon.com](http://www.abracon.com)



Компания «ЭлектроПласт» предлагает заключение долгосрочных отношений при поставках импортных электронных компонентов на взаимовыгодных условиях!

Наши преимущества:

- Оперативные поставки широкого спектра электронных компонентов отечественного и импортного производства напрямую от производителей и с крупнейших мировых складов;
- Поставка более 17-ти миллионов наименований электронных компонентов;
- Поставка сложных, дефицитных, либо снятых с производства позиций;
- Оперативные сроки поставки под заказ (от 5 рабочих дней);
- Экспресс доставка в любую точку России;
- Техническая поддержка проекта, помощь в подборе аналогов, поставка прототипов;
- Система менеджмента качества сертифицирована по Международному стандарту ISO 9001;
- Лицензия ФСБ на осуществление работ с использованием сведений, составляющих государственную тайну;
- Поставка специализированных компонентов (Xilinx, Altera, Analog Devices, Intersil, Interpoint, Microsemi, Aeroflex, Peregrine, Syfer, Eurofarad, Texas Instrument, Miteq, Cobham, E2V, MA-COM, Hittite, Mini-Circuits, General Dynamics и др.);

Помимо этого, одним из направлений компании «ЭлектроПласт» является направление «Источники питания». Мы предлагаем Вам помощь Конструкторского отдела:

- Подбор оптимального решения, техническое обоснование при выборе компонента;
- Подбор аналогов;
- Консультации по применению компонента;
- Поставка образцов и прототипов;
- Техническая поддержка проекта;
- Защита от снятия компонента с производства.



#### Как с нами связаться

**Телефон:** 8 (812) 309 58 32 (многоканальный)

**Факс:** 8 (812) 320-02-42

**Электронная почта:** [org@eplast1.ru](mailto:org@eplast1.ru)

**Адрес:** 198099, г. Санкт-Петербург, ул. Калинина, дом 2, корпус 4, литера А.