

HOUSING

FIRST CIRCUIT INDICATOR

FCI PART NUMBER AND DATE CODE

HOLD DOWN SEE NOTES 8

SIGNAL CONTACT POWER CONTACTS

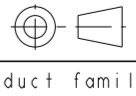
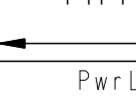

25Sx10P CONFIGURATION SHOWN  
HOLD DOWN TYPE

SCREW MOUNT SEE NOTES 9

25Sx10P CONFIGURATION SHOWN  
SCREW MOUNT TYPE

NOTES:

- HOUSING MATERIAL: GF LCP, COLOR: BLACK, UL 94 V-0 RATED  
SIGNAL CONTACT MATERIAL: PHOSPHOR BRONZE  
SIGNAL PIN OVERMOLD MATERIAL: GF POLYESTER  
POWER CONTACT MATERIAL: COPPER ALLOY
- PLATING ON SIGNAL CONTACTS: 1.27µm MIN Ni UNDERPLATING ALL OVER WITH 0.76µm MIN GXT IN CONTACT MATING AREA, AND 0.5µm MIN MATTE TIN ON TAIL AREA.  
  
PLATING ON POWER CONTACTS: 1.27µm MIN Ni UNDERPLATING ALL OVER WITH 0.76µm MIN GXT IN CONTACT MATING AREA, AND 0.5µm MIN MATTE TIN ON TAIL AREA.  
  
PLATING ON HOLD DOWN IF APPLICABLE: 1.27µm MIN Ni, UNDERPLATING ALL OVER WITH 0.76µm MIN MATTE TIN OVER.
- LUBRICATION: LUBRICATE ON CONTACT AREA.
- RECOMMENDED PCB THICKNESS IS:  
FOR PRESS FIT APPLICATION: 1.4mm MIN  
FOR SOLDER APPLICATION: 1.40mm THROUGH 2.62mm.
- FOR SCREW MOUNT APPLICATIONS, A #4-40 UNC PAN SCREW WITH HEX NUT IS RECOMMENDED (SUPPLIED BY CUSTOMER).
- FOR PRESS FIT  $\varnothing 0.61 \pm 0.05\text{mm}$ , FOR SOLDER  $\varnothing 0.90 \pm 0.05\text{mm}$ .
- UNPLATED HOLES.
- HOLD DOWN APPLICATION NEEDED.
- SCREW MOUNT APPLICATION NEEDED.
- PRODUCT SPECIFICATION: GS-12-1064  
APPLICATION SPECIFICATION: GS-20-0362

|               |                                       |       |                |                                                                                       |                                                                                       |                                                                                       |                        |                |       |     |   |
|---------------|---------------------------------------|-------|----------------|---------------------------------------------------------------------------------------|---------------------------------------------------------------------------------------|---------------------------------------------------------------------------------------|------------------------|----------------|-------|-----|---|
| spec ref      | SEE NOTE 10                           | dr    | Zhang Hong-Tu  | 2012/08/13                                                                            | projection                                                                            | MM                                                                                    | size                   | A2             | scale | 1:1 |   |
| tolerance std | TOLERANCES UNLESS OTHERWISE SPECIFIED | eng   | De-Ming Lu     | 2017/05/09                                                                            |  |  | ecn no                 | ELX-DG-18076-1 |       |     |   |
| ISO 406       |                                       | chr   | Fancy Zhang    | 2017/05/23                                                                            |                                                                                       |                                                                                       | rel level              | Released       |       |     |   |
| ISO 1101      |                                       | appr  | Pei-Ming Zheng | 2017/05/26                                                                            |                                                                                       |                                                                                       | product family         | PwrLoPro       |       |     |   |
| surface       | linear                                | 0.X   | ±0.30          |  | PWR LoPro HEADER ASSEMBLY                                                             |                                                                                       | dwg no                 | 10122460       |       | rev | H |
|               |                                       | 0.XX  | ±0.20          |                                                                                       | RA, PASSIVE GUIDE,S+P                                                                 |                                                                                       |                        |                |       |     |   |
|               |                                       | 0.XXX | ±0.10          |                                                                                       | cat. no.                                                                              | -                                                                                     | Product - Customer Drw | sheet 1 of 10  |       |     |   |
| ISO 1302      | angular                               | 0°    | ±2°            |                                                                                       |                                                                                       |                                                                                       |                        |                |       |     |   |

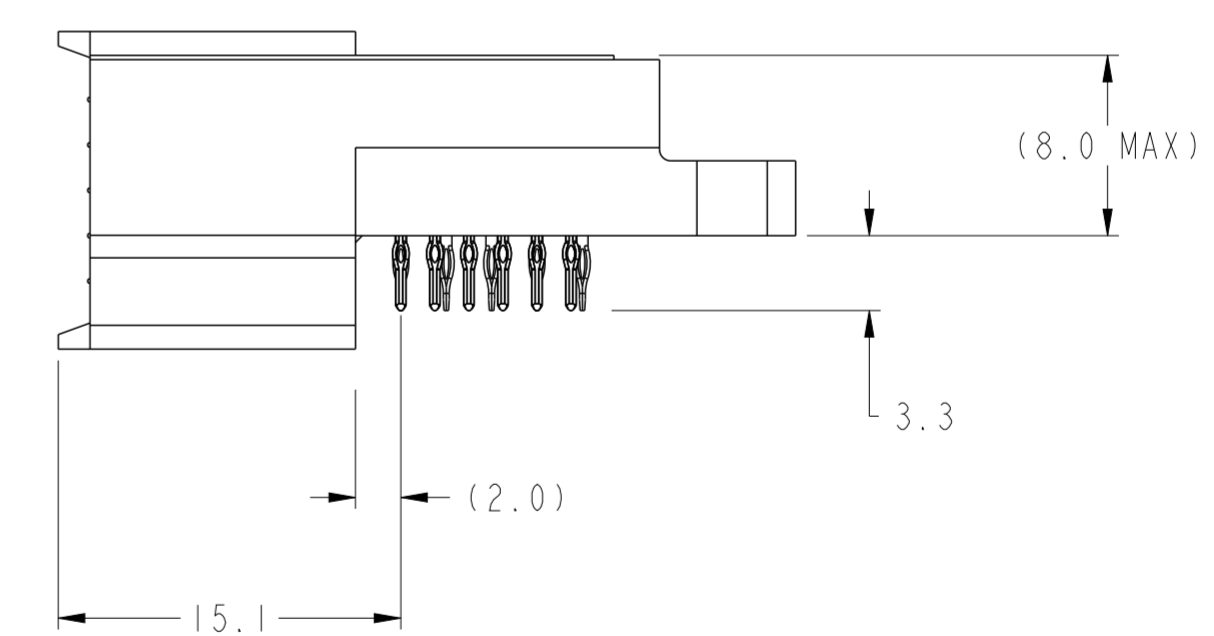
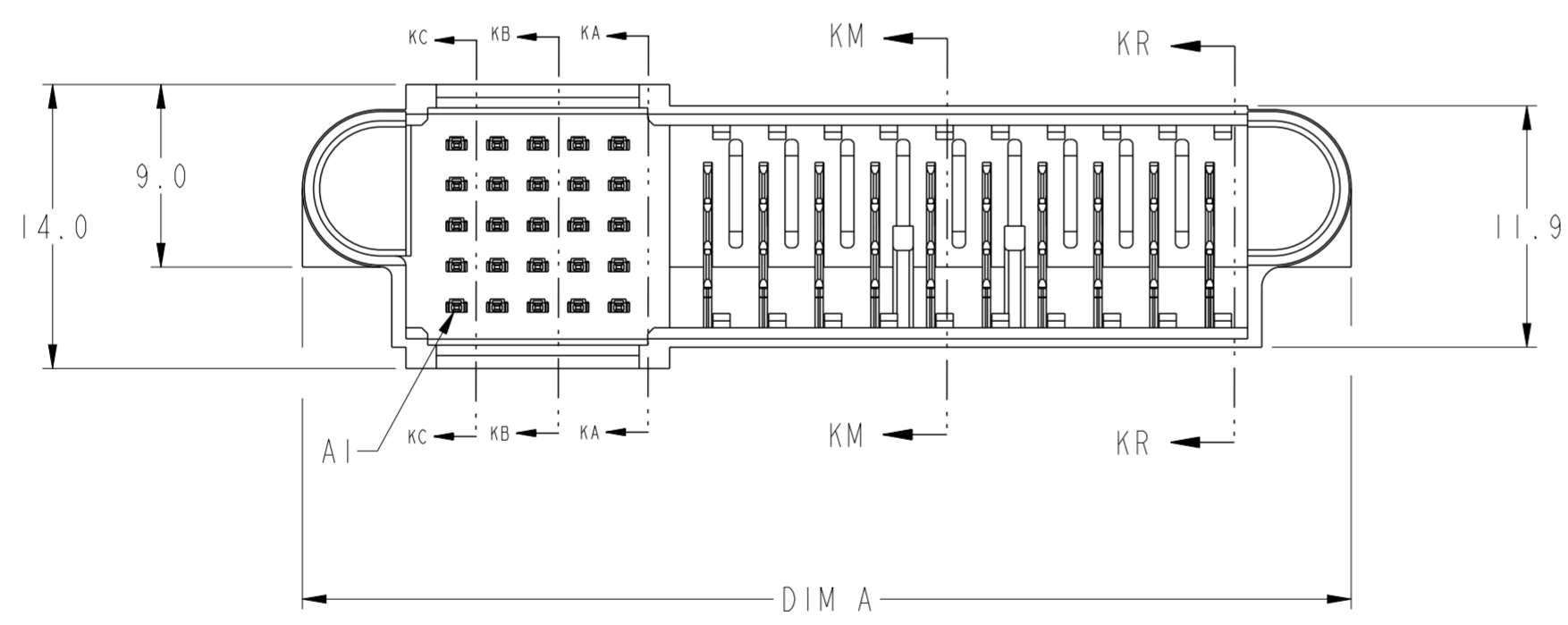
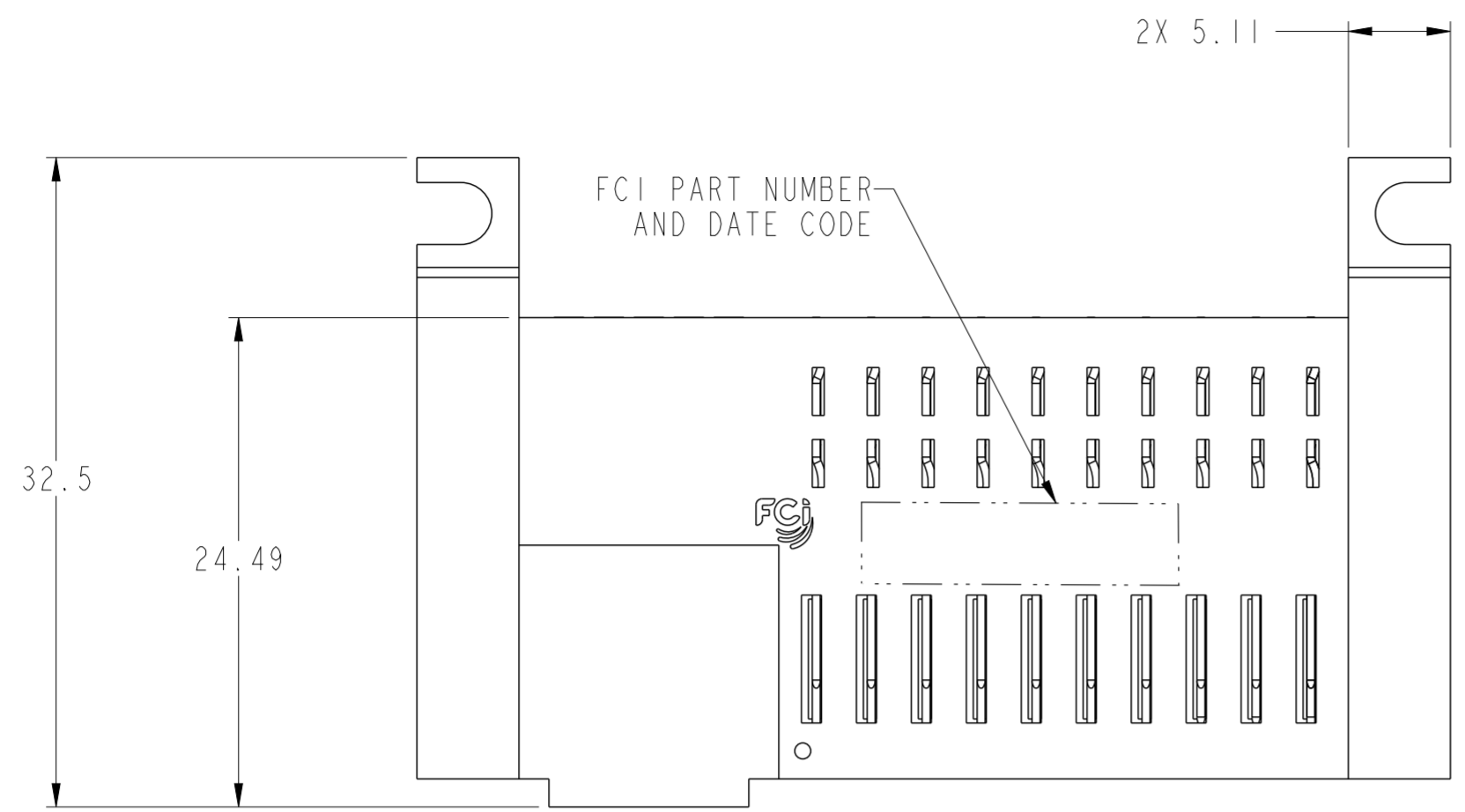
PDS: Rev :H

STATUS:Released

Printed: May 26, 2017

Amphenol FCI

© 2016 APCI



SCREW MOUNT TYPE AS SHOWN

|               |                                                                                                          |                     |                |            |                                                          |    |                 |                |                                      |     |
|---------------|----------------------------------------------------------------------------------------------------------|---------------------|----------------|------------|----------------------------------------------------------|----|-----------------|----------------|--------------------------------------|-----|
| spec ref      | SEE NOTE 10                                                                                              | dr                  | Zhang Hong-Tu  | 2012/08/13 | projection                                               | MM | size            | A2             | scale                                | 3:1 |
| tolerance std | ISO 406<br>ISO 1101                                                                                      | eng                 | De-Ming Lu     | 2017/05/09 |                                                          |    | ecn no          | ELX-DG-18076-1 |                                      |     |
| surface       | TOLERANCES UNLESS OTHERWISE SPECIFIED<br>linear 0.X ±0.30<br>0.XX ±0.20<br>0.XXX ±0.10<br>angular 0° ±2° | chr                 | Fancy Zhang    | 2017/05/23 |                                                          |    | rel level       | Released       |                                      |     |
| ISO 1302      |                                                                                                          | appr                | Pai-Ming Zheng | 2017/05/26 |                                                          |    | product family  | PwrLoPro       |                                      |     |
|               |                                                                                                          | <b>Amphenol FCI</b> |                |            | title PWR LoPro HEADER ASSEMBLY<br>RA, PASSIVE GUIDE,S+P |    | dwg no 10122460 | rev H          | Product - Customer Drw sheet 2 of 10 |     |

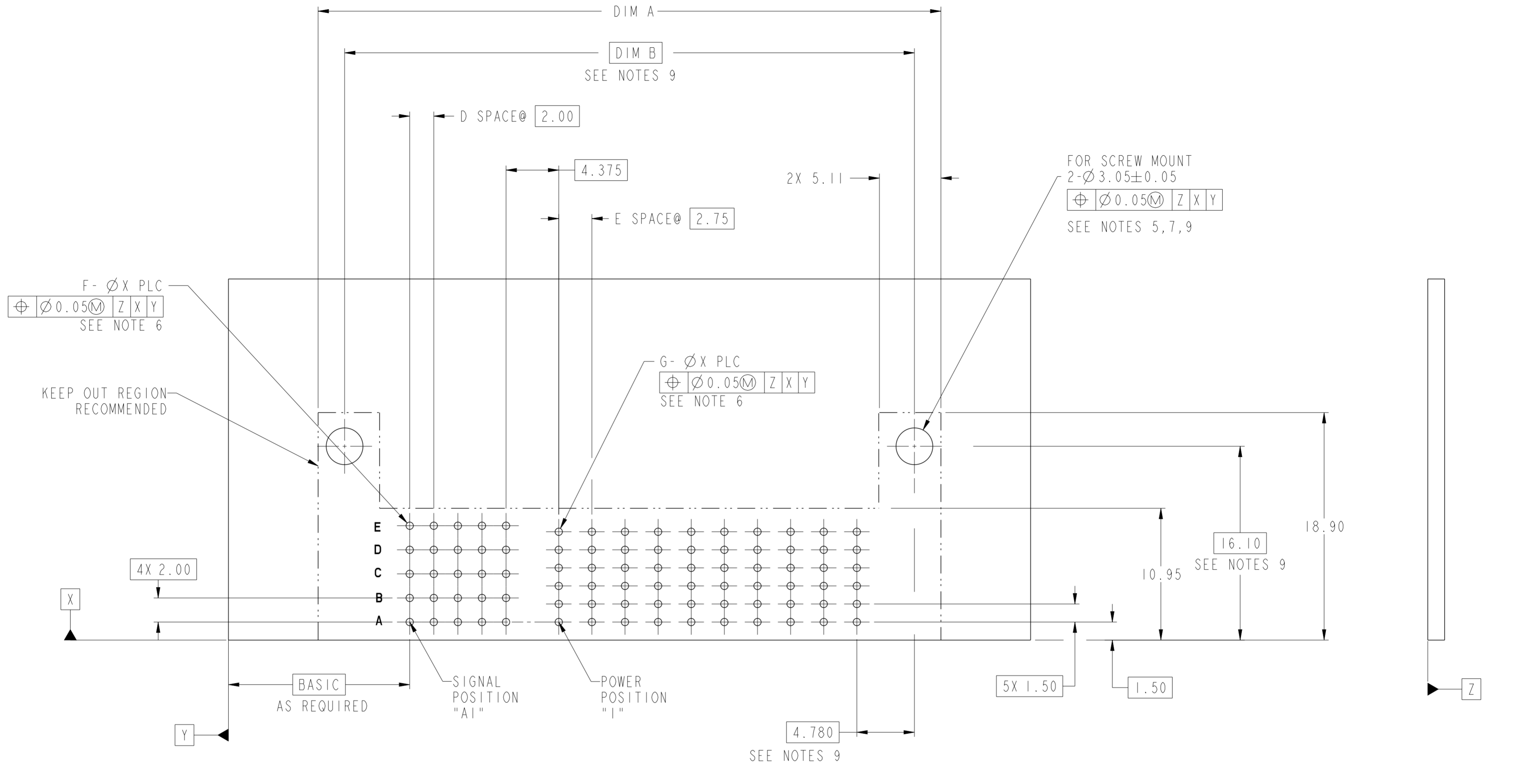
PDS: Rev :H

STATUS:Released

Printed: May 26, 2017

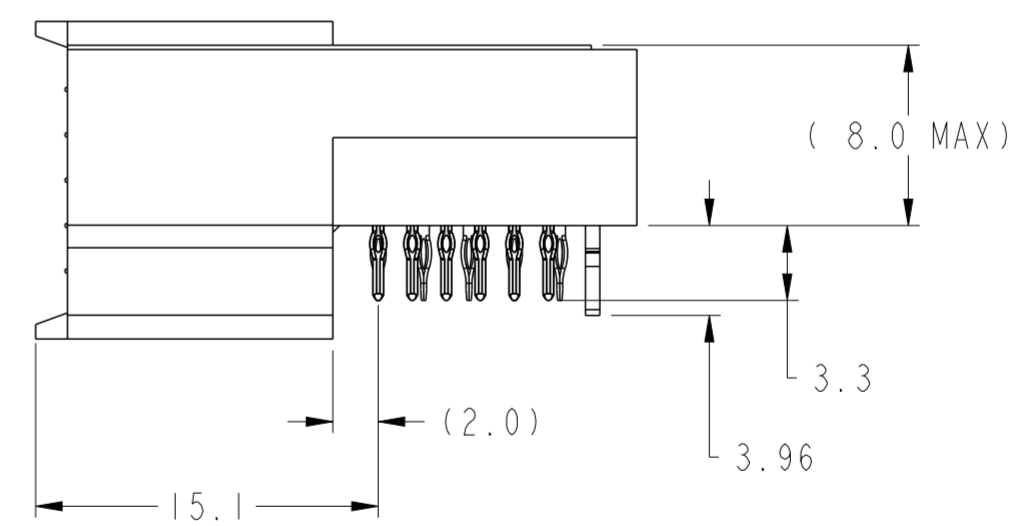
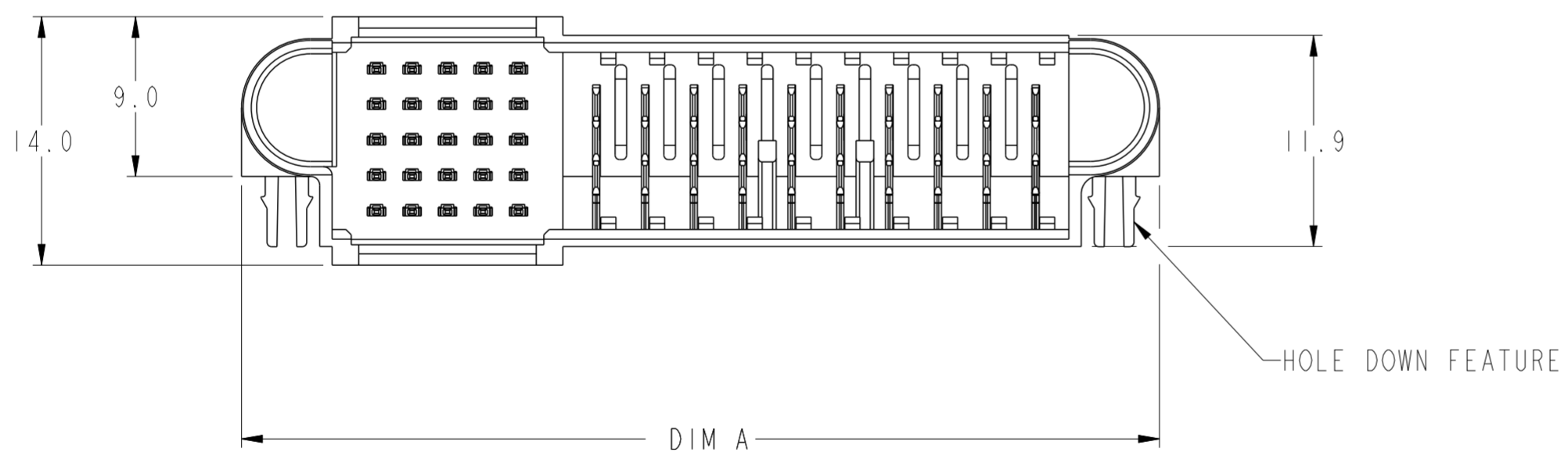
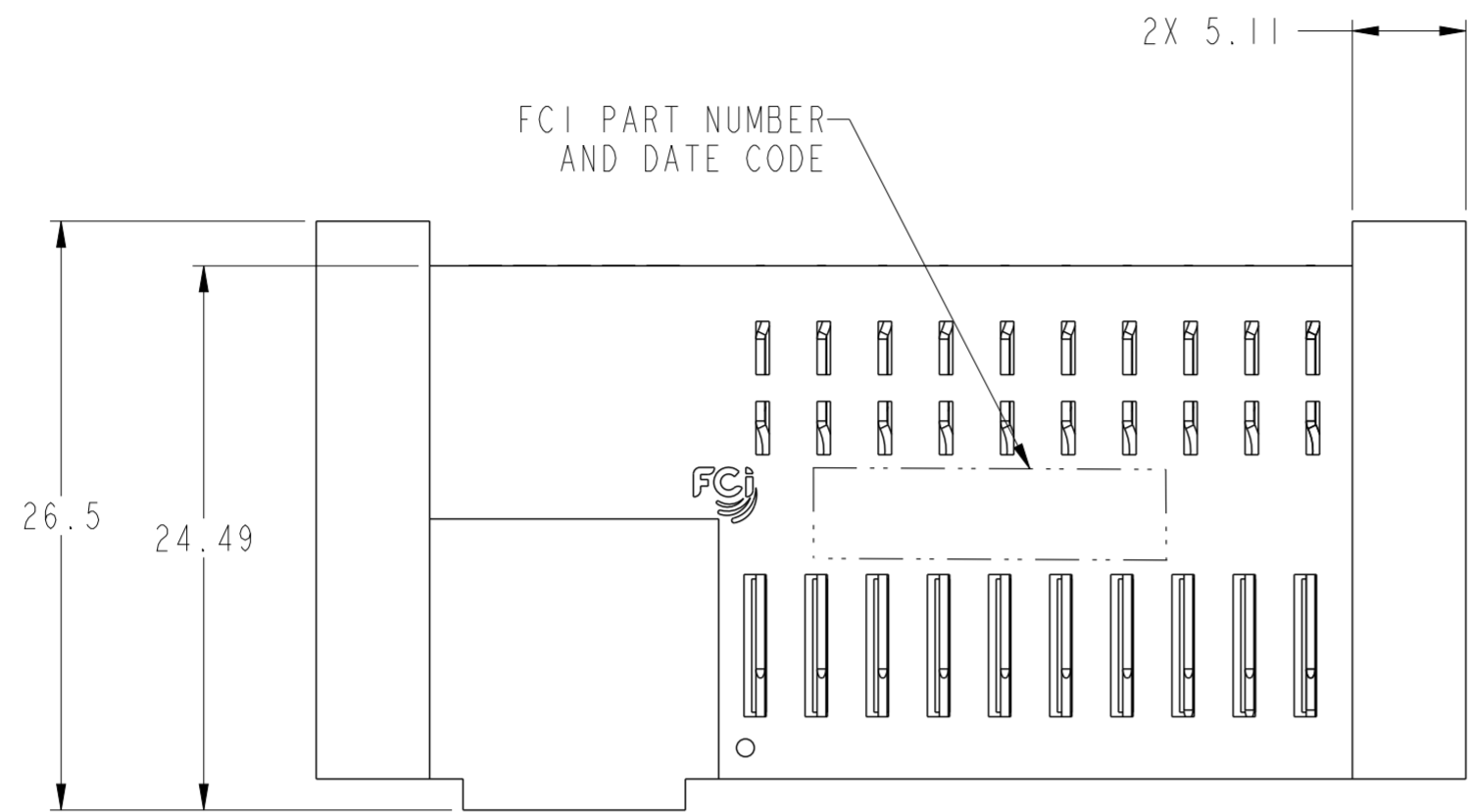
Amphenol FCI

© 2016 AFCI



10122460-002LF AS SHOWN  
 RECOMMENDED PRINTED CIRCUIT BOARD LAYOUT SEE NOTE 4  
 FOR 10122460-XXXLF SCREW MOUNT TYPE  
 (AS VIEWED FROM COMPONENT SIDE)

|               |                     |      |               |            |            |                        |                                                    |                    |           |          |
|---------------|---------------------|------|---------------|------------|------------|------------------------|----------------------------------------------------|--------------------|-----------|----------|
| spec ref      | SEE NOTE 10         | dr   | Zhang Hong-Tu | 2012/08/13 | projection | MM                     | size                                               | A2                 | scale     | 3:1      |
| tolerance std | ISO 406<br>ISO 1101 | eng  | De-Ming Lu    | 2017/05/09 |            |                        | ecn no                                             | ELX-DG-18076-1     | rel level | Released |
| surface       | linear              | 0.X  | ±0.30         |            |            |                        | PWR LoPro HEADER ASSEMBLY<br>RA, PASSIVE GUIDE,S+P | dwg no<br>10122460 |           | rev<br>H |
|               |                     | 0.XX | ±0.20         |            |            |                        |                                                    |                    |           |          |
|               | angular             | 0°   | ±2°           | cat. no.   | -          | Product - Customer Drw | sheet 3 of 10                                      |                    |           |          |



HOLE DOWN TYPE AS SHOWN

|                     |                                       |      |               |            |                           |    |                    |                |                        |               |
|---------------------|---------------------------------------|------|---------------|------------|---------------------------|----|--------------------|----------------|------------------------|---------------|
| spec ref            | SEE NOTE 10                           | dr   | Zhang Hong-Tu | 2012/08/13 | projection                | MM | size               | A2             | scale                  | 3:1           |
| tolerance std       | TOLERANCES UNLESS OTHERWISE SPECIFIED | eng  | De-Ming Lu    | 2017/05/09 |                           |    | ecn no             | ELX-DG-18076-1 | rel level              | Released      |
| ISO 406<br>ISO 1101 |                                       | chr  | Fancy Zhang   | 2017/05/23 |                           |    |                    |                |                        |               |
| surface             | linear                                | 0.X  | ±0.30         |            | PWR LoPro HEADER ASSEMBLY |    | dwg no<br>10122460 | rev<br>H       | Product - Customer Drw |               |
| ISO 1302            |                                       | 0.XX | ±0.20         |            | RA, PASSIVE GUIDE,S+P     |    |                    |                | cat. no.<br>-          | sheet 4 of 10 |
|                     | angular                               | 0°   | ±2°           |            | STATUS:Released           |    |                    |                |                        |               |

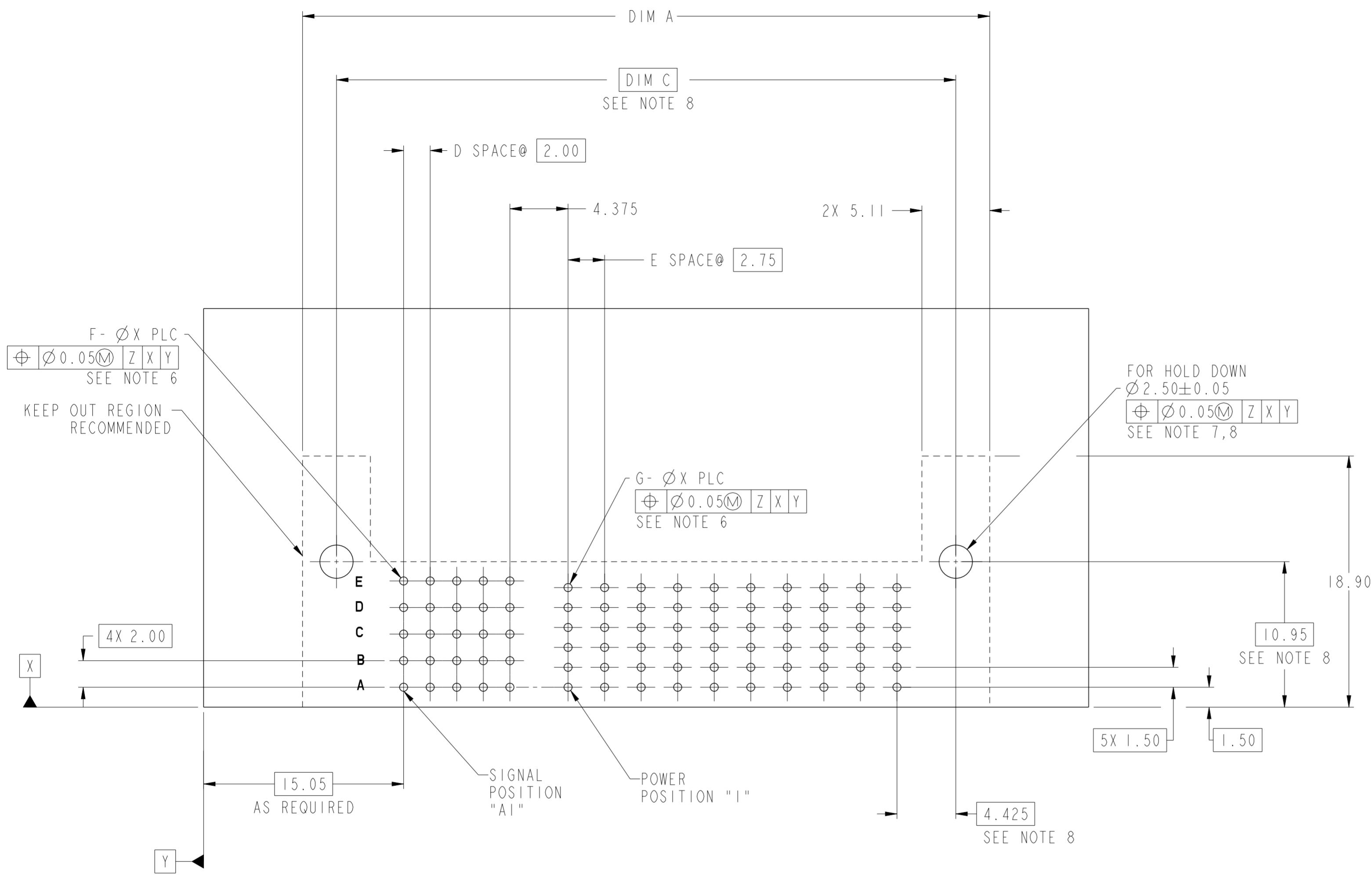
PDS: Rev :H

STATUS:Released

Printed: May 26, 2017

Amphenol  
FCi

© 2016 AFci



10122460-003LF AS SHOWN  
 RECOMMENDED PRINTED CIRCUIT BOARD LAYOUT SEE NOTE 4  
 FOR 10122460-XXXLF HOLD DOWN TYPE  
 (AS VIEWED FROM COMPONENT SIDE)

|               |                                                                                                          |          |                                                    |            |            |                        |                |                |       |     |  |
|---------------|----------------------------------------------------------------------------------------------------------|----------|----------------------------------------------------|------------|------------|------------------------|----------------|----------------|-------|-----|--|
| spec ref      | SEE NOTE 10                                                                                              | dr       | Zhang Hong-Tu                                      | 2012/08/13 | projection | MM                     | size           | A2             | scale | 4:1 |  |
| tolerance std | ISO 406<br>ISO 1101                                                                                      | eng      | De-Ming Lu                                         | 2017/05/09 |            | PwrLoPro               | ecn no         | ELX-DG-18076-1 |       |     |  |
| surface       | TOLERANCES UNLESS OTHERWISE SPECIFIED<br>linear 0.X ±0.30<br>0.XX ±0.20<br>0.XXX ±0.10<br>angular 0° ±2° | chr      | Fancy Zhang                                        | 2017/05/23 |            |                        | rel level      | Released       |       |     |  |
|               |                                                                                                          | appr     | Pei-Ming Zheng                                     | 2017/05/26 |            |                        | product family | PwrLoPro       |       |     |  |
| Amphenol FCI  |                                                                                                          | title    | PWR LoPro HEADER ASSEMBLY<br>RA, PASSIVE GUIDE,S+P |            |            | dwg no                 | 10122460       |                | rev   | H   |  |
| ISO 1302      |                                                                                                          | cat. no. | -                                                  |            |            | Product - Customer Drw |                | sheet 5 of 10  |       |     |  |

PDS: Rev :H

STATUS:Released

Printed: May 26, 2017

| PART NUMBER    | CONFIGURATION | DIM "A" | DIM "B" FOR SCREW MOUNT | DIM "C" FOR HOLD DOWN | "D" SPACES | "E" SPACES | "F" QTY. | "G" QTY. | MOUNTING FEATURE |
|----------------|---------------|---------|-------------------------|-----------------------|------------|------------|----------|----------|------------------|
| 10122460-001LF | 35S+18P       | 77.71   | -                       | 72.60                 | 6          | 17         | 35       | 108      | HOLD DOWN        |
| 10122460-003LF | 25S+10P       | 51.71   | -                       | 46.6                  | 4          | 9          | 25       | 60       | HOLD DOWN        |
| 10122460-004LF | 25S+8P        | 46.21   | -                       | 41.1                  | 4          | 7          | 25       | 48       | HOLD DOWN        |
| 10122460-005LF | 25S+10P       | 51.71   | -                       | 46.6                  | 4          | 9          | 25       | 60       | HOLD DOWN        |
| 10122460-006LF | 25S+8P        | 46.21   | -                       | 41.1                  | 4          | 7          | 25       | 48       | HOLD DOWN        |
| 10122460-007LF | 25S+10P       | 51.71   | 47.31                   | -                     | 4          | 9          | 25       | 60       | SCREW MOUNT      |
| 10122460-008LF | 15S+2P        | 25.71   | -                       | 15.1                  | 2          | 1          | 15       | 12       | HOLD DOWN        |
| 10122460-009LF | 25S+10P       | 51.71   | -                       | 46.6                  | 4          | 9          | 25       | 60       | HOLD DOWN        |
| 10122460-010LF | 35S+20P       | 83.21   | -                       | 78.1                  | 6          | 19         | 35       | 120      | HOLD DOWN        |
| 10122460-011LF | 25S+02P       | 29.71   | -                       | 24.6                  | 4          | 1          | 25       | 12       | HOLD DOWN        |
| 10122460-013LF | 25S+10P       | 51.71   | 47.31                   | -                     | 4          | 9          | 25       | 60       | SCREW MOUNT      |

Amphenol FCI

© 2016 AFCI

|               |                                       |          |                |              |                           |                       |               |     |                |                |
|---------------|---------------------------------------|----------|----------------|--------------|---------------------------|-----------------------|---------------|-----|----------------|----------------|
| spec ref      | SEE NOTE 10                           | dr       | Zhang Hong-Tu  | 2012/08/13   | projection                | MM                    | size          | A2  | scale          | 3:1            |
| tolerance std | TOLERANCES UNLESS OTHERWISE SPECIFIED | eng      | De-Ming Lu     | 2017/05/09   |                           | MM                    | A2            | 3:1 | ecn no         | ELX-DG-18076-1 |
| ISO 406       |                                       | chr      | Fancy Zhang    | 2017/05/23   |                           |                       |               |     | rel level      | Released       |
| ISO 1101      |                                       | appr     | Pei-Ming Zheng | 2017/05/26   |                           |                       |               |     | product family | PwrLoPro       |
| surface       | linear                                | 0.X      | ±0.30          | Amphenol FCI | PWR LoPro HEADER ASSEMBLY | RA, PASSIVE GUIDE,S+P | 10122460      | rev | H              |                |
| ISO 1302      |                                       | 0.XX     | ±0.20          |              |                           |                       |               |     |                |                |
|               | angular                               | 0°       | ±2°            |              |                           |                       |               |     |                |                |
|               |                                       | cat. no. |                |              | Product - Customer Drw    |                       | sheet 6 of 10 |     |                |                |

PDS: Rev :H

STATUS:Released

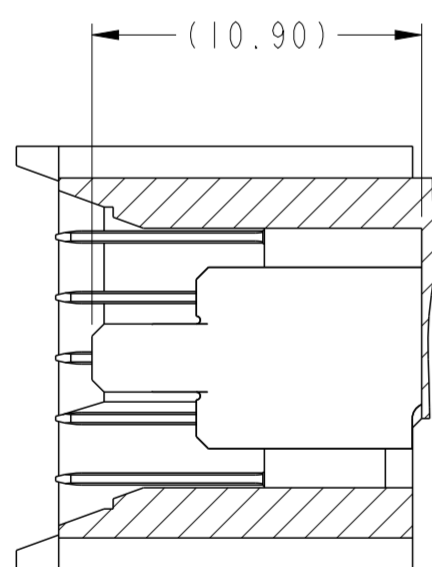
Printed: May 26, 2017

CUSTOMER LOADING WORKSHEET FOR SIGNAL & POWER SEQUENCING LEVELS

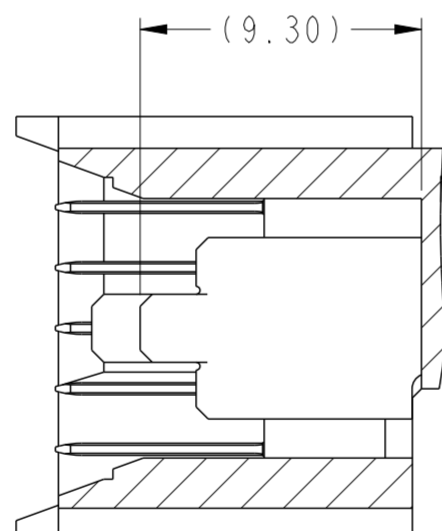
PWR LO PRO - MATING FACE OF HEADER CONNECTOR(4)

|      |                     |                                            |   |   |   |   |   |   |   |                   |   |   |   |   |   |   |   |   |    |    |    |    |    |    |    |    |    |    |    |    |    |    |    |                     |
|------|---------------------|--------------------------------------------|---|---|---|---|---|---|---|-------------------|---|---|---|---|---|---|---|---|----|----|----|----|----|----|----|----|----|----|----|----|----|----|----|---------------------|
| E    |                     | <p style="text-align: center;">COLUMNS</p> |   |   |   |   |   |   |   |                   |   |   |   |   |   |   |   |   |    |    |    |    |    |    |    |    |    |    |    |    |    |    |    |                     |
| D    |                     |                                            |   |   |   |   |   |   |   |                   |   |   |   |   |   |   |   |   |    |    |    |    |    |    |    |    |    |    |    |    |    |    |    |                     |
| C    |                     |                                            |   |   |   |   |   |   |   |                   |   |   |   |   |   |   |   |   |    |    |    |    |    |    |    |    |    |    |    |    |    |    |    |                     |
| B    |                     |                                            |   |   |   |   |   |   |   |                   |   |   |   |   |   |   |   |   |    |    |    |    |    |    |    |    |    |    |    |    |    |    |    |                     |
| A    |                     |                                            |   |   |   |   |   |   |   |                   |   |   |   |   |   |   |   |   |    |    |    |    |    |    |    |    |    |    |    |    |    |    |    |                     |
| ROWS | MOUNTING FEATURE(3) | 1                                          | 2 | 3 | 4 | 5 | 6 | 7 | 8 | 1                 | 2 | 3 | 4 | 5 | 6 | 7 | 8 | 9 | 10 | 11 | 12 | 13 | 14 | 15 | 16 | 17 | 18 | 19 | 20 | 21 | 22 | 23 | 24 | MOUNTING FEATURE(3) |
|      |                     | SIGNAL CONTACTS(2)                         |   |   |   |   |   |   |   | POWER CONTACTS(1) |   |   |   |   |   |   |   |   |    |    |    |    |    |    |    |    |    |    |    |    |    |    |    |                     |

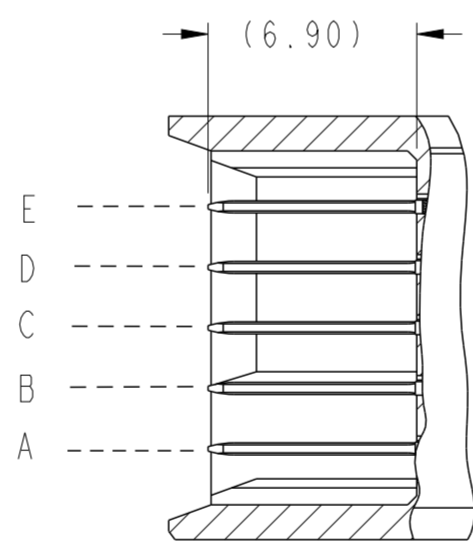
- 1). LOAD WITH CHOICE OF 2 POWER CONTACT MATING LEVELS, SEE SECTIONS KM & KR FOR AVAILABLE LEVEL OPTIONS.
- 2). LOAD WITH CHOICE OF 3 SIGNAL CONTACT MATING LEVELS, SEE SECTIONS KA,KB,&KC FOR AVAILABLE LEVEL OPTIONS.
- 3). MOUNTING FEATURE OPTION "X"  
 - H : HOLD DOWN TYPE  
 - S : SCREW MOUNT TYPE
- 4). CUSTOMER LOADING WORKSHEET SHOWN AT MAXMUM SIZE CONFIGURATION (40Sx24P), SIGNALS AVAILABLE IN 2,3,4 THRU 8 POSITIONS, POWERS AVAILABLE IN 4,6,8 THRU 24 POSITIONS IN EVEN QUANTITIES ONLY.



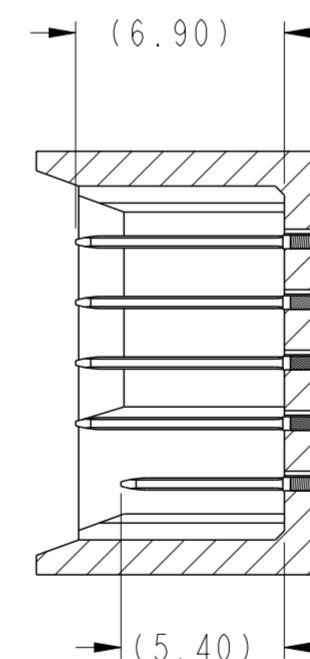
POWER SECTION KM-KM  
LEVEL 1:  
LONGEST MATING CONTACTS



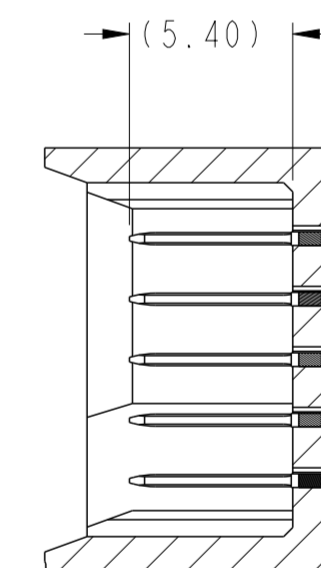
POWER SECTION KR-KR  
LEVEL 2:  
SHORTEST MATING CONTACTS



SIGNAL SECTION KA-KA  
LEVEL 2:  
ALL LONGEST CONTACTS



SIGNAL SECTION KB-KB  
LEVEL 3222 (MIXED):  
ROW "A", SHORTEST CONTACT  
ROW "B" THRU "E", LONGEST CONTACTS



SIGNAL SECTION KC-KC  
LEVEL 3:  
ALL SHORTEST CONTACTS

|                                       |                     |       |                |                     |                        |                 |                       |                       |                                                             |               |               |
|---------------------------------------|---------------------|-------|----------------|---------------------|------------------------|-----------------|-----------------------|-----------------------|-------------------------------------------------------------|---------------|---------------|
| spec ref                              | SEE NOTE 10         | dr    | Zhang Hong-Tu  | 2012/08/13          | projection             | MM              | size                  | A2                    | scale                                                       | 1:1           |               |
| tolerance std                         | ISO 406<br>ISO 1101 | eng   | De-Ming Lu     | 2017/05/09          |                        |                 | ecn no                | ELX-DG-18076-1        | rel level                                                   | Released      |               |
| TOLERANCES UNLESS OTHERWISE SPECIFIED |                     | chr   | Fancy Zhang    | 2017/05/23          |                        |                 |                       |                       |                                                             |               |               |
|                                       |                     | appr  | Pai-Ming Zheng | 2017/05/26          |                        |                 |                       |                       |                                                             |               |               |
| surface                               | linear              | 0.X   | ±0.30          | <b>Amphenol FCI</b> | product family         |                 | PwrLoPro              |                       | title<br>PWR LoPro HEADER ASSEMBLY<br>RA, PASSIVE GUIDE,S+P | cat. no.<br>- | sheet 7 of 10 |
|                                       |                     | 0.XX  | ±0.20          |                     | PwrLoPro               |                 | rel level<br>Released | rev<br>H              |                                                             |               |               |
|                                       |                     | 0.XXX | ±0.10          |                     | Product - Customer Drw |                 |                       |                       |                                                             |               |               |
|                                       | angular             | 0°    | ±2°            | PDS: Rev :H         |                        | STATUS:Released |                       | Printed: May 26, 2017 |                                                             |               |               |

| PART NUMBER                 | ROWS | SIGNALS |   |   |   |   |   |   | POWERS |   |   |   |   |   |   |   |   |    |    |    |    |    |    |    |
|-----------------------------|------|---------|---|---|---|---|---|---|--------|---|---|---|---|---|---|---|---|----|----|----|----|----|----|----|
|                             |      | 1       | 2 | 3 | 4 | 5 | 6 | 7 | 1      | 2 | 3 | 4 | 5 | 6 | 7 | 8 | 9 | 10 | 11 | 12 | 13 | 14 | 15 | 16 |
| 10122460-001LF<br>35S + 18P | E    |         |   |   |   |   |   |   |        |   |   |   |   |   |   |   |   |    |    |    |    |    |    |    |
|                             | D    |         |   |   |   |   |   |   |        |   |   |   |   |   |   |   |   |    |    |    |    |    |    |    |
|                             | C    |         |   |   |   |   |   |   |        |   |   |   |   |   |   |   |   |    |    |    |    |    |    |    |
|                             | B    |         |   |   |   |   |   |   |        |   |   |   |   |   |   |   |   |    |    |    |    |    |    |    |
|                             | A    |         |   |   |   |   |   |   |        |   |   |   |   |   |   |   |   |    |    |    |    |    |    |    |

| PART NUMBER                 | ROWS | SIGNALS |   |   |   |   | POWERS |   |   |   |   |   |   |   |   |    |  |  |
|-----------------------------|------|---------|---|---|---|---|--------|---|---|---|---|---|---|---|---|----|--|--|
|                             |      | 1       | 2 | 3 | 4 | 5 | 1      | 2 | 3 | 4 | 5 | 6 | 7 | 8 | 9 | 10 |  |  |
| 10122460-003LF<br>25S + 10P | E    |         |   |   |   |   |        |   |   |   |   |   |   |   |   |    |  |  |
|                             | D    |         |   |   |   |   |        |   |   |   |   |   |   |   |   |    |  |  |
|                             | C    |         |   |   |   |   |        |   |   |   |   |   |   |   |   |    |  |  |
|                             | B    |         |   |   |   |   |        |   |   |   |   |   |   |   |   |    |  |  |
|                             | A    |         |   |   |   |   |        |   |   |   |   |   |   |   |   |    |  |  |

| PART NUMBER                | ROWS | SIGNALS |   |   |   |   | POWERS |   |   |   |   |   |   |   |  |  |
|----------------------------|------|---------|---|---|---|---|--------|---|---|---|---|---|---|---|--|--|
|                            |      | 1       | 2 | 3 | 4 | 5 | 1      | 2 | 3 | 4 | 5 | 6 | 7 | 8 |  |  |
| 10122460-004LF<br>25S + 8P | E    |         |   |   |   |   |        |   |   |   |   |   |   |   |  |  |
|                            | D    |         |   |   |   |   |        |   |   |   |   |   |   |   |  |  |
|                            | C    |         |   |   |   |   |        |   |   |   |   |   |   |   |  |  |
|                            | B    |         |   |   |   |   |        |   |   |   |   |   |   |   |  |  |
|                            | A    |         |   |   |   |   |        |   |   |   |   |   |   |   |  |  |

| PART NUMBER                 | ROWS | SIGNALS |   |   |   |   | POWERS |   |   |   |   |   |   |   |   |    |  |  |
|-----------------------------|------|---------|---|---|---|---|--------|---|---|---|---|---|---|---|---|----|--|--|
|                             |      | 1       | 2 | 3 | 4 | 5 | 1      | 2 | 3 | 4 | 5 | 6 | 7 | 8 | 9 | 10 |  |  |
| 10122460-005LF<br>25S + 10P | E    |         |   |   |   |   |        |   |   |   |   |   |   |   |   |    |  |  |
|                             | D    |         |   |   |   |   |        |   |   |   |   |   |   |   |   |    |  |  |
|                             | C    |         |   |   |   |   |        |   |   |   |   |   |   |   |   |    |  |  |
|                             | B    |         |   |   |   |   |        |   |   |   |   |   |   |   |   |    |  |  |
|                             | A    |         |   |   |   |   |        |   |   |   |   |   |   |   |   |    |  |  |

VIEWED FROM MATING FACE:

|                                       |                     |         |                |            |                |          |                        |                           |           |          |   |
|---------------------------------------|---------------------|---------|----------------|------------|----------------|----------|------------------------|---------------------------|-----------|----------|---|
| spec ref                              | SEE NOTE 10         | dr      | Zhang Hong-Tu  | 2012/08/13 | projection     | MM       | size                   | A2                        | scale     | 1:1      |   |
| tolerance std                         | ISO 406<br>ISO 1101 | eng     | De-Ming Lu     | 2017/05/09 |                |          | ecn no                 | ELX-DG-18076-1            | rel level | Released |   |
| TOLERANCES UNLESS OTHERWISE SPECIFIED |                     | chr     | Fancy Zhang    | 2017/05/23 |                |          |                        |                           |           |          |   |
|                                       |                     | appr    | Pai-Ming Zheng | 2017/05/26 |                |          |                        |                           |           |          |   |
| surface                               | ISO 1302            | linear  | 0.X            | ±0.30      | product family | PwrLoPro | title                  | PWR LoPro HEADER ASSEMBLY |           | rev      | H |
|                                       |                     |         | 0.XX           | ±0.20      | cat. no.       | -        | Product - Customer Drw | sheet 8 of 10             |           |          |   |
|                                       |                     | angular | 0°             | ±2°        |                |          |                        |                           |           |          |   |

Amphenol FCI

© 2016 AFCI



| PART NUMBER                | ROWS | SIGNALS |   |   |       |   | POWERS |   |   |   |   |   |   |   |   |   |
|----------------------------|------|---------|---|---|-------|---|--------|---|---|---|---|---|---|---|---|---|
|                            |      | 1       | 2 | 3 | 4     | 5 | 1      | 2 | 3 | 4 | 5 | 6 | 7 | 8 |   |   |
| 10122460-006LF<br>25S + 8P | E    | H       | 2 | 2 | 32222 | 2 | 2      | - | - | 2 | 2 | 2 | 2 | 2 | - | H |
|                            | D    |         |   |   |       |   |        |   |   |   |   |   |   |   |   |   |
|                            | C    |         |   |   |       |   |        |   |   |   |   |   |   |   |   |   |
|                            | B    |         |   |   |       |   |        |   |   |   |   |   |   |   |   |   |
|                            | A    |         |   |   |       |   |        |   |   |   |   |   |   |   |   |   |

| PART NUMBER                 | ROWS | SIGNALS |   |   |   |   | POWERS |   |   |   |   |   |   |   |   |    |   |   |
|-----------------------------|------|---------|---|---|---|---|--------|---|---|---|---|---|---|---|---|----|---|---|
|                             |      | 1       | 2 | 3 | 4 | 5 | 1      | 2 | 3 | 4 | 5 | 6 | 7 | 8 | 9 | 10 |   |   |
| 10122460-007LF<br>25S + 10P | E    | S       | 2 | 2 | 2 | 2 | 3      | 2 | 2 | 2 | 2 | 2 | 2 | 2 | 2 | 2  | 2 | S |
|                             | D    |         |   |   |   |   |        |   |   |   |   |   |   |   |   |    |   |   |
|                             | C    |         |   |   |   |   |        |   |   |   |   |   |   |   |   |    |   |   |
|                             | B    |         |   |   |   |   |        |   |   |   |   |   |   |   |   |    |   |   |
|                             | A    |         |   |   |   |   |        |   |   |   |   |   |   |   |   |    |   |   |

| PART NUMBER                | ROWS | SIGNALS |       |   | POWERS |   |   |   |
|----------------------------|------|---------|-------|---|--------|---|---|---|
|                            |      | 1       | 2     | 3 | 1      | 2 |   |   |
| 10122460-008LF<br>15S + 2P | E    | H       | 32222 | 2 | 2      | - | 2 | H |
|                            | D    |         |       |   |        |   |   |   |
|                            | C    |         |       |   |        |   |   |   |
|                            | B    |         |       |   |        |   |   |   |
|                            | A    |         |       |   |        |   |   |   |

| PART NUMBER                 | ROWS | SIGNALS |   |   |   |   | POWERS |   |   |   |   |   |   |   |   |    |   |   |
|-----------------------------|------|---------|---|---|---|---|--------|---|---|---|---|---|---|---|---|----|---|---|
|                             |      | 1       | 2 | 3 | 4 | 5 | 1      | 2 | 3 | 4 | 5 | 6 | 7 | 8 | 9 | 10 |   |   |
| 10122460-009LF<br>25S + 10P | E    | H       | 2 | 2 | 3 | 2 | 2      | 2 | 2 | 2 | 2 | 2 | 2 | 2 | 2 | 2  | 2 | H |
|                             | D    |         |   |   |   |   |        |   |   |   |   |   |   |   |   |    |   |   |
|                             | C    |         |   |   |   |   |        |   |   |   |   |   |   |   |   |    |   |   |
|                             | B    |         |   |   |   |   |        |   |   |   |   |   |   |   |   |    |   |   |
|                             | A    |         |   |   |   |   |        |   |   |   |   |   |   |   |   |    |   |   |

|               |                                       |       |                |                     |                 |                           |                       |           |          |        |                |                        |               |
|---------------|---------------------------------------|-------|----------------|---------------------|-----------------|---------------------------|-----------------------|-----------|----------|--------|----------------|------------------------|---------------|
| spec ref      | SEE NOTE 10                           | dr    | Zhang Hong-Tu  | 2012/08/13          | projection      | MM                        | size                  | A2        | scale    | 1:1    |                |                        |               |
| tolerance std | TOLERANCES UNLESS OTHERWISE SPECIFIED | eng   | De-Ming Lu     | 2017/05/09          |                 | Product family            | PwrLoPro              | rel level | Released | ecn no | ELX-DG-18076-1 |                        |               |
| ISO 406       |                                       | chr   | Fancy Zhang    | 2017/05/23          |                 |                           |                       |           |          |        |                |                        |               |
| ISO 1101      |                                       | appr  | Pei-Ming Zheng | 2017/05/26          |                 |                           |                       |           |          |        |                |                        |               |
| surface       | linear                                | 0.X   | ±0.30          | <b>Amphenol FCI</b> | title           | PWR LoPro HEADER ASSEMBLY | PwrLoPro              | rel level | Released | ecn no | 10122460       |                        |               |
| ISO 1302      | 0.XX                                  | ±0.20 | cat. no.       |                     |                 |                           |                       |           |          |        | -              | Product - Customer Drw | sheet 9 of 10 |
|               | 0.XXX                                 | ±0.10 |                |                     |                 |                           |                       |           |          |        |                |                        |               |
| angular       | 0°                                    | ±2°   | PDS: Rev :H    |                     | STATUS:Released |                           | Printed: May 26, 2017 |           |          |        |                |                        |               |

Amphenol FCI

© 2016 AFCI

| PART NUMBER                 | ROWS | SIGNALS |   |   |   |   |   |   | POWERS |   |   |   |   |   |   |   |   |    |    |    |    |    |    |    |    |    |    |    |
|-----------------------------|------|---------|---|---|---|---|---|---|--------|---|---|---|---|---|---|---|---|----|----|----|----|----|----|----|----|----|----|----|
|                             |      | 1       | 2 | 3 | 4 | 5 | 6 | 7 | 1      | 2 | 3 | 4 | 5 | 6 | 7 | 8 | 9 | 10 | 11 | 12 | 13 | 14 | 15 | 16 | 17 | 18 | 19 | 20 |
| 10122460-010LF<br>35S + 20P | E    |         |   |   |   |   |   |   |        |   |   |   |   |   |   |   |   |    |    |    |    |    |    |    |    |    |    |    |
|                             | D    |         |   |   |   |   |   |   |        |   |   |   |   |   |   |   |   |    |    |    |    |    |    |    |    |    |    |    |
|                             | C    |         |   |   |   |   |   |   |        |   |   |   |   |   |   |   |   |    |    |    |    |    |    |    |    |    |    |    |
|                             | B    |         |   |   |   |   |   |   |        |   |   |   |   |   |   |   |   |    |    |    |    |    |    |    |    |    |    |    |
|                             | A    |         |   |   |   |   |   |   |        |   |   |   |   |   |   |   |   |    |    |    |    |    |    |    |    |    |    |    |

| PART NUMBER                 | ROWS | SIGNALS |   |   |   |   | POWERS |   |
|-----------------------------|------|---------|---|---|---|---|--------|---|
|                             |      | 1       | 2 | 3 | 4 | 5 | 1      | 2 |
| 10122460-011LF<br>25S + 02P | E    |         |   |   |   |   |        |   |
|                             | D    |         |   |   |   |   |        |   |
|                             | C    |         |   |   |   |   |        |   |
|                             | B    |         |   |   |   |   |        |   |
|                             | A    |         |   |   |   |   |        |   |

| PART NUMBER                 | ROWS | SIGNALS |   |   |   |   | POWERS |   |   |   |   |   |   |   |   |    |  |  |  |  |  |  |  |  |  |  |  |
|-----------------------------|------|---------|---|---|---|---|--------|---|---|---|---|---|---|---|---|----|--|--|--|--|--|--|--|--|--|--|--|
|                             |      | 1       | 2 | 3 | 4 | 5 | 1      | 2 | 3 | 4 | 5 | 6 | 7 | 8 | 9 | 10 |  |  |  |  |  |  |  |  |  |  |  |
| 10122460-013LF<br>25S + 10P | E    |         |   |   |   |   |        |   |   |   |   |   |   |   |   |    |  |  |  |  |  |  |  |  |  |  |  |
|                             | D    |         |   |   |   |   |        |   |   |   |   |   |   |   |   |    |  |  |  |  |  |  |  |  |  |  |  |
|                             | C    |         |   |   |   |   |        |   |   |   |   |   |   |   |   |    |  |  |  |  |  |  |  |  |  |  |  |
|                             | B    |         |   |   |   |   |        |   |   |   |   |   |   |   |   |    |  |  |  |  |  |  |  |  |  |  |  |
|                             | A    |         |   |   |   |   |        |   |   |   |   |   |   |   |   |    |  |  |  |  |  |  |  |  |  |  |  |

| CODE  | DESCRIPTION             |
|-------|-------------------------|
| 1     | FOR LEVEL 1             |
| 2     | FOR LEVEL 2             |
| 32222 | FOR LEVEL 32222 (MIXED) |
| 3     | FOR LEVEL 3             |

Amphenol FCI

© 2016 AFCI

|               |                                       |       |                |              |                           |                       |                       |     |        |                |                        |                |
|---------------|---------------------------------------|-------|----------------|--------------|---------------------------|-----------------------|-----------------------|-----|--------|----------------|------------------------|----------------|
| spec ref      | SEE NOTE 10                           | dr    | Zhang Hong-Tu  | 2012/08/13   | projection                | MM                    | size                  | A2  | scale  | 1:1            |                        |                |
| tolerance std | TOLERANCES UNLESS OTHERWISE SPECIFIED | eng   | De-Ming Lu     | 2017/05/09   |                           | MM                    | A2                    | 1:1 | ecn no | ELX-DG-18076-1 |                        |                |
| ISO 406       |                                       | chr   | Fancy Zhang    | 2017/05/23   |                           |                       |                       |     |        | rel level      | Released               |                |
| ISO 1101      |                                       | appr  | Pai-Ming Zheng | 2017/05/26   |                           |                       |                       |     |        | product family | PwrLoPro               |                |
| surface       | linear                                | 0.X   | ±0.30          | Amphenol FCI | PWR LoPro HEADER ASSEMBLY | RA, PASSIVE GUIDE,S+P | 10122460              | rev | H      |                |                        |                |
| ISO 1302      | 0.XX                                  | ±0.20 | cat. no.       |              |                           |                       |                       |     |        | -              | Product - Customer Drw | sheet 10 of 10 |
|               | 0.XXX                                 | ±0.10 |                |              |                           |                       |                       |     |        |                |                        |                |
| angular       | 0°                                    | ±2°   | PDS: Rev :H    |              | STATUS:Released           |                       | Printed: May 26, 2017 |     |        |                |                        |                |



Компания «ЭлектроПласт» предлагает заключение долгосрочных отношений при поставках импортных электронных компонентов на взаимовыгодных условиях!

Наши преимущества:

- Оперативные поставки широкого спектра электронных компонентов отечественного и импортного производства напрямую от производителей и с крупнейших мировых складов;
- Поставка более 17-ти миллионов наименований электронных компонентов;
- Поставка сложных, дефицитных, либо снятых с производства позиций;
- Оперативные сроки поставки под заказ (от 5 рабочих дней);
- Экспресс доставка в любую точку России;
- Техническая поддержка проекта, помощь в подборе аналогов, поставка прототипов;
- Система менеджмента качества сертифицирована по Международному стандарту ISO 9001;
- Лицензия ФСБ на осуществление работ с использованием сведений, составляющих государственную тайну;
- Поставка специализированных компонентов (Xilinx, Altera, Analog Devices, Intersil, Interpoint, Microsemi, Aeroflex, Peregrine, Syfer, Eurofarad, Texas Instrument, Miteq, Cobham, E2V, MA-COM, Hittite, Mini-Circuits, General Dynamics и др.);

Помимо этого, одним из направлений компании «ЭлектроПласт» является направление «Источники питания». Мы предлагаем Вам помощь Конструкторского отдела:

- Подбор оптимального решения, техническое обоснование при выборе компонента;
- Подбор аналогов;
- Консультации по применению компонента;
- Поставка образцов и прототипов;
- Техническая поддержка проекта;
- Защита от снятия компонента с производства.



#### Как с нами связаться

**Телефон:** 8 (812) 309 58 32 (многоканальный)

**Факс:** 8 (812) 320-02-42

**Электронная почта:** [org@eplast1.ru](mailto:org@eplast1.ru)

**Адрес:** 198099, г. Санкт-Петербург, ул. Калинина, дом 2, корпус 4, литера А.