

Product manual

Piezo Keypad

CONTENTS

CONTENTS 1

1 PRODUCT DESCRIPTION 2

2 TECHNICAL DATA AND DIMENSIONAL DRAWINGS 3

 2.1 Technical Data 3

 2.2 Layout of 12 key keypad 5

 2.3 Layout of 16 key keypad 6

 2.4 Circuit diagram 7

3 ORDER NUMBERS 9

4 ACCESSORIES 9

 4.1 Accessory Kit 9

 4.2 Dimensions Accessory Kit 9

5 PACKAGING 12

6 QUALIFICATION TEST 12

 6.1 Degree of Protection 12

 6.2 EMC Protection 12

7 APPROVALS 13

8 ROHS COMPLIANT 13

Changes that contribute to technical improvement are subject to alternations.							
page	Issue date:	created by:	amendment date:	released by:	amendment no.:	datasheet no.:	index
1 of 13	27.08.2008	M. Fischer	19.08.2011	HP.Friedrich	10440	0105.9539.200	h

1 PRODUCT DESCRIPTION



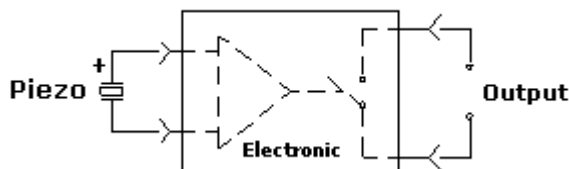
- IP 69K protection class, IK 05 impact strength
 - operating temperature from -25°C to +85°C
 - long lifetime of more than 20 million actuations
 - with mounting accessories: keypad is sealed into the housing with IP 68 protection class, mounting into the housing from the front or the rear
 - as standard: keypads are available as a number block with 12 or 16 keys and with an aluminium front
 - point illumination may be integrated into the individual key fields as optical feedback or for user navigation
 - the operating panel can be designed in several colours in both the aluminium and stainless steel versions
-
- the keypads can be adapted to customer requirements with respect to the outer geometry as well as to the number and arrangement of the keys
 - particularly suitable for use in outdoor applications due to their ability to resist extreme ambient conditions such as negative temperatures, ice and snow
 - completely sealed operating panel is easy to clean and resistant to common cleaning agents

Operation principle:

The piezo keypad is based on the principle of the piezoelectric effect. By pressing, a piezoceramic generates a voltage pulse. The power of the voltage pulse is amplified from the integrated electronic circuit to a bipolar switching output.

During the voltage pulse the electronic is switching for the specified pulse duration. The switching time of the electronic switching output depends on the actuation force and the operation speed.

Connection diagram of a single switch NO (Normally Closed):



In the unactuated condition, the piezo ceramic is in a high-impedance state and the switch has an output resistance greater than 10 MOhms. If the piezo-ceramic is actuated, the output resistance is reduced to a value smaller than 20 ohms.

This corresponds largely to the functionality of a conventional mechanical switch.

Changes that contribute to technical improvement are subject to alternations.							
page	Issue date:	created by:	amendment date:	released by:	amendment no.:	datasheet no.:	index
2 of 13	27.08.2008	M. Fischer	19.08.2011	HP.Friedrich	10440	0105.9539.200	h

2 TECHNICAL DATA AND DIMENSIONAL DRAWINGS

2.1 Technical Data

<u>Electrical Data</u>		
Rated Voltage max.	[VDC]	50
Rated Current max.	[mA]	200
Contact Resistance ON	[Ω]	< 7.5<
Contact Resistance OFF	[MΩ]	> 5
Electrical Strength	[V]	2500
Contact Bounce Time	[ms]	< 1
Rated Breaking Capacity	[mW]	600

<u>Mechanical Data</u>		
Actuation Force	[N]	1 – 3 *
Lifetime	[mill.]	> 20
Shock Resistance (DIN EN 50102)	[IK]	Aluminum: 05 Stainless Steel: 04

* At ambient temperatures less than -10°C the actuating force may increase.

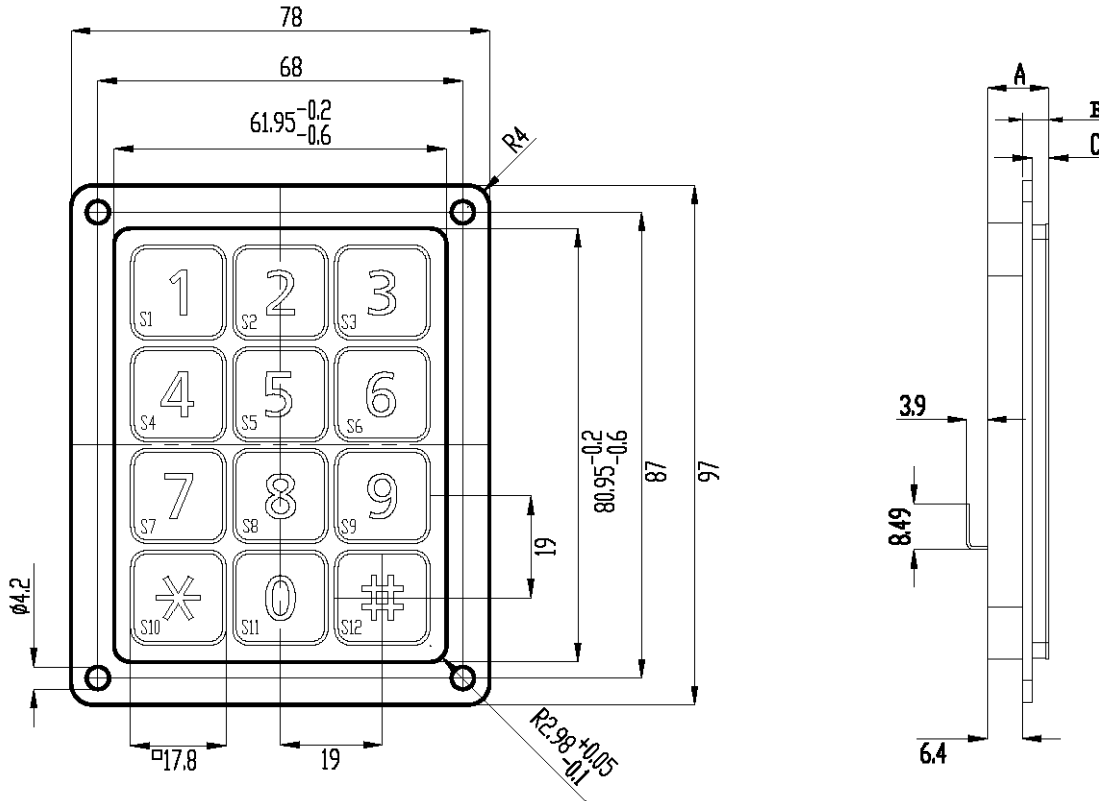
<u>Climatical Data</u>		
Operating Temperature	[°C]	-25 to +85
Storage Temperature	[°C]	-40 to +85
Degree of Protection *	[IP]	IP 69K

* Note: The degree of protection depends on the mounting.

Material		
Part	Material	UL-Listing
Assembling plate	Ultradur	UL94, V-0
Upper spacer		File: PGGU2.MH26206
Insulating disc	FR4	UL94, V-0
PCB	FR4	UL94, V-0
Adhesive		no listing
Casting compound		no listing
Piezo disc	PZT	
Front plate	Aluminium or Stainless Steel	

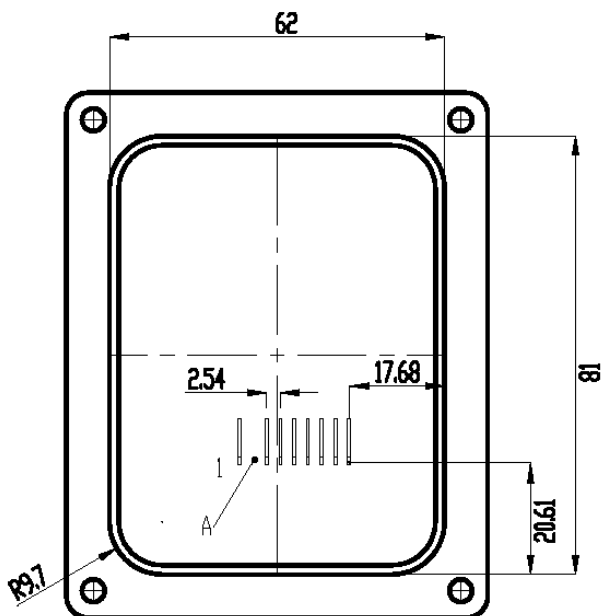
2.2 Layout of 12 key keypad

Front-design can be varied.



Partnumber	Material	Measures [mm]		
		A	B	C
1068.1012.1110001	Alu	11,33	4,93	3,13
1068.1012.2110001*	Stainless steel	11,23	4,83	3,03

* The version with stainless steel frontplate is available on request



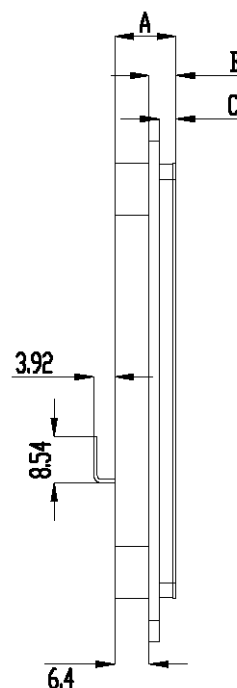
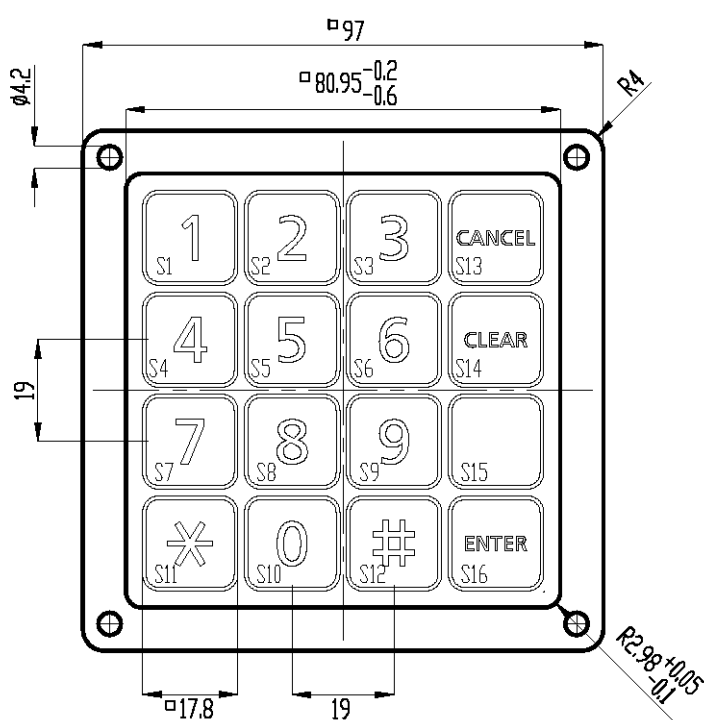
		PIN								
		1	2	3	4	5	6	7	8	9
Graphic	S1	1		■		■				
	S2	2		■			■			
	S3	3			■			■		
	S4	4			■				■	
	S5	5			■					■
	S6	6	■			■				
	S7	7	■				■			
	S8	8	■					■		
	S9	9	■						■	
	S10	*	■							■
	S11	0			■	■				
	S12	#	■							■

A= Pin 2 is removed and not contacted

Changes that contribute to technical improvement are subject to alternations.							
page	Issue date:	created by:	amendment date:	released by:	amendment no.:	datasheet no.:	index
5 of 13	27.08.2008	M. Fischer	19.08.2011	HP.Friedrich	10440	0105.9539.200	h

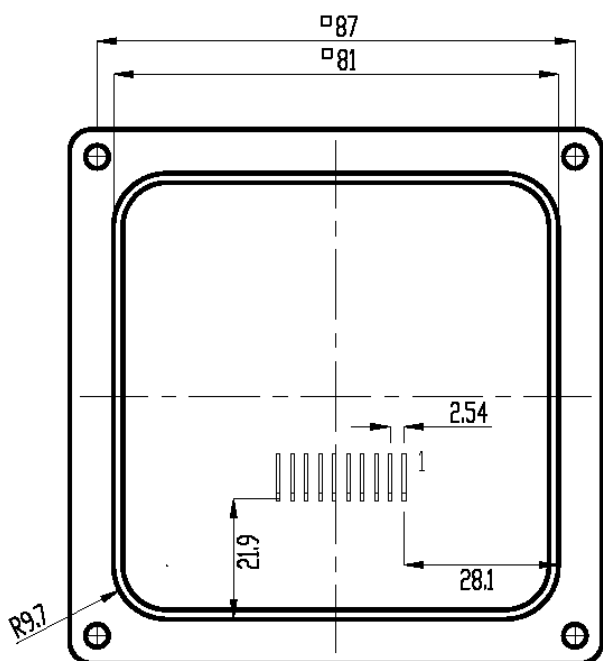
2.3 Layout of 16 key keypad

Front-design can be varied.



Partnumber	Material	Measures [mm]		
		A	B	C
1068.1016.1110001	Alu	11,33	4,93	3,13
1068.1016.2110001*	Stainless steel	11,23	4,83	3,03

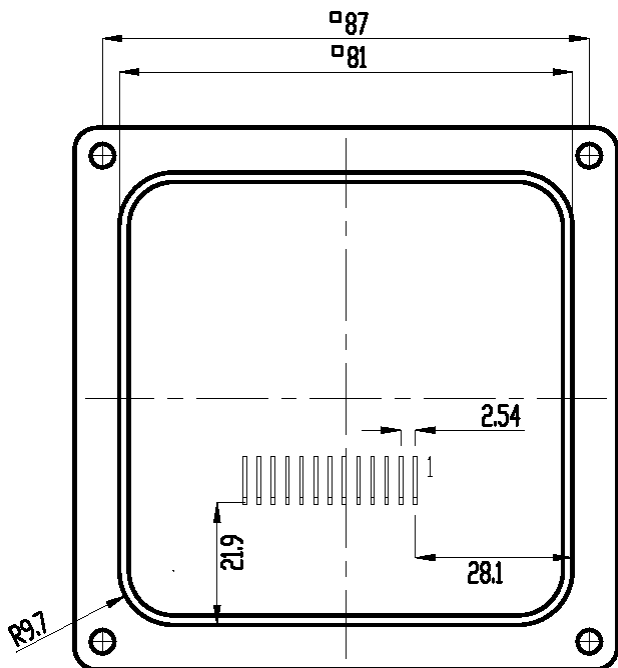
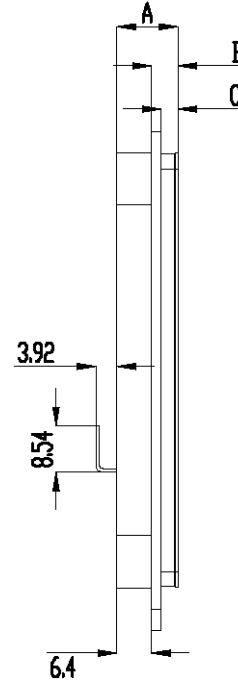
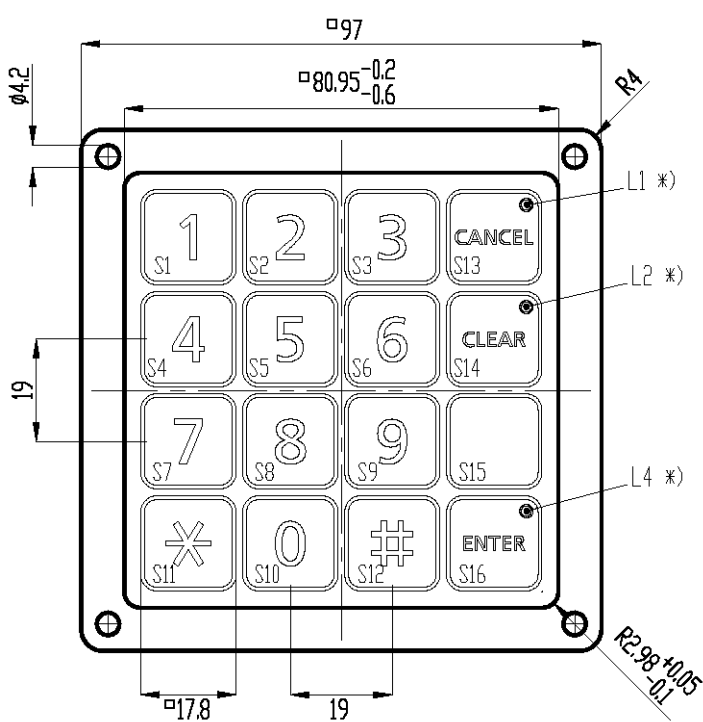
* The version with stainless steel frontplate is available on request



		PIN									
		1	2	3	4	5	6	7	8	9	10
Graphic	S1	1	□			□					
	S2	2	□				□				
	S3	3	□					□			
	S4	4	□						□		
	S5	5		□			□				
	S6	6		□				□			
	S7	7		□					□		
	S8	8		□						□	
	S9	9			□		□				
	S10	0			□			□			
	S11	*			□				□		
	S12	#			□					□	
	S13	Cancel				□	□				
	S14	Clear				□		□			
	S15					□			□		
	S16	Enter				□				□	

2.4 Layout of 16 Keypad with LED

Front-design can be varied.



		PIN												
		1	2	3	4	5	6	7	8	9	10	11	12	13
Graphic	S1	1	■			■								
	S2	2	■				■							
	S3	3	■					■						
	S4	4	■						■					
	S5	5		■			■							
	S6	6		■				■						
	S7	7		■					■					
	S8	8		■						■				
	S9	9			■		■							
	S10	0			■			■						
	S11	*			■				■					
	S12	#			■					■				
	S13	Cancel				■	■							
	S14	Clear				■		■						
	S15					■			■					
	S16	Enter				■				■				
LEDs	L1 green									■	■			
	L2 green									■		■		
	L4 green										■		■	

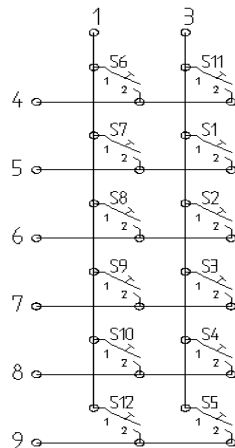
*)

The point illumination is customized available on request.

Changes that contribute to technical improvement are subject to alternations.							
page	Issue date:	created by:	amendment date:	released by:	amendment no.:	datasheet no.:	index
7 of 13	27.08.2008	M. Fischer	19.08.2011	HP.Friedrich	10440	0105.9539.200	h

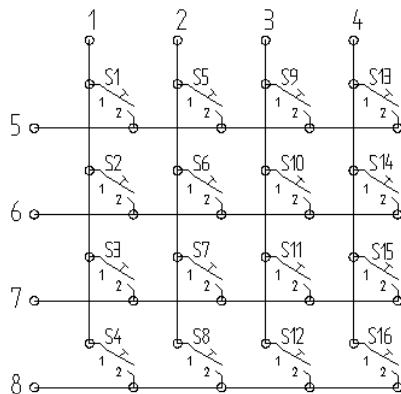
2.5 Circuit diagram

12 Key Keypad



		PIN								
		1	2	3	4	5	6	7	8	9
Graphic	S1	1		■		■				
	S2	2		■			■			
	S3	3			■			■		
	S4	4			■				■	
	S5	5			■					■
	S6	6	■			■				
	S7	7	■				■			
	S8	8	■					■		
	S9	9	■						■	
	S10	*	■							■
	S11	0			■	■				
	S12	#	■							■

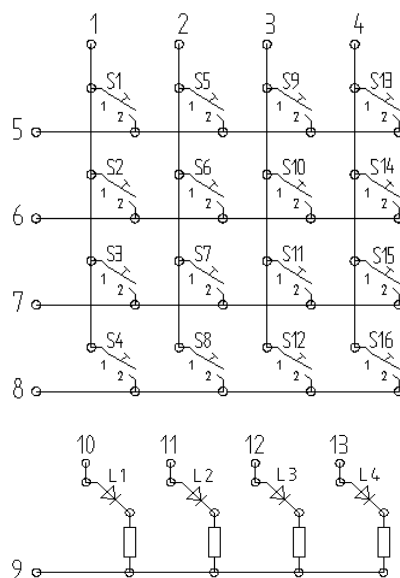
16 Key Keypad



		PIN									
		1	2	3	4	5	6	7	8	9	10
Graphic	S1	1	■			■					
	S2	2	■				■				
	S3	3	■					■			
	S4	4	■						■		
	S5	5		■			■				
	S6	6		■				■			
	S7	7		■					■		
	S8	8		■						■	
	S9	9			■		■				
	S10	0			■			■			
	S11	*			■				■		
	S12	#			■					■	
	S13	Cancel				■	■				
	S14	Clear				■		■			
	S15					■			■		
	S16	Enter				■				■	

16 Key Keypad with Led

Pin 9 Led-Supply
common GND



		PIN												
		1	2	3	4	5	6	7	8	9	10	11	12	13
Graphic	S1	1	■			■								
	S2	2	■				■							
	S3	3	■					■						
	S4	4	■						■					
	S5	5		■			■							
	S6	6		■				■						
	S7	7		■					■					
	S8	8		■						■				
	S9	9			■		■							
	S10	0			■			■						
	S11	*			■				■					
	S12	#			■					■				
	S13	Cancel				■	■							
	S14	Clear				■		■						
	S15					■			■					
	S16	Enter				■				■				
LEDs	L1 green									■	■			
	L2 green										■	■		
	L3 green											■	■	
	L4 green												■	

3 ORDER NUMBERS

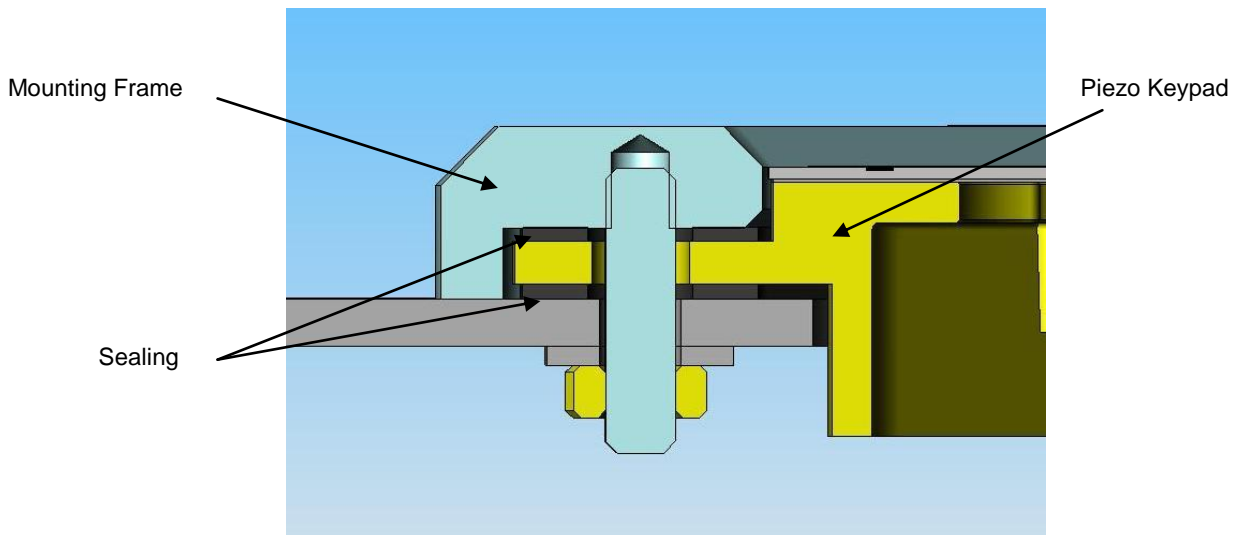
	piezo keypad 12 keys	piezo keypad 16 keys
front aluminum, multi pin connector, standard lettering*	1068.1012.1110001	1068.1016.1110001

* Note: The lettering corresponds to the standard layout as described under point 2.2 and 2.3.

4 ACCESSORIES

4.1 Accessory Kit

	accessory kit for piezo keypad 12 keys	accessories kit for piezo keypad 16 keys
Mounting Frame + Sealing frontside	1068.1012.340	1068.1016.340

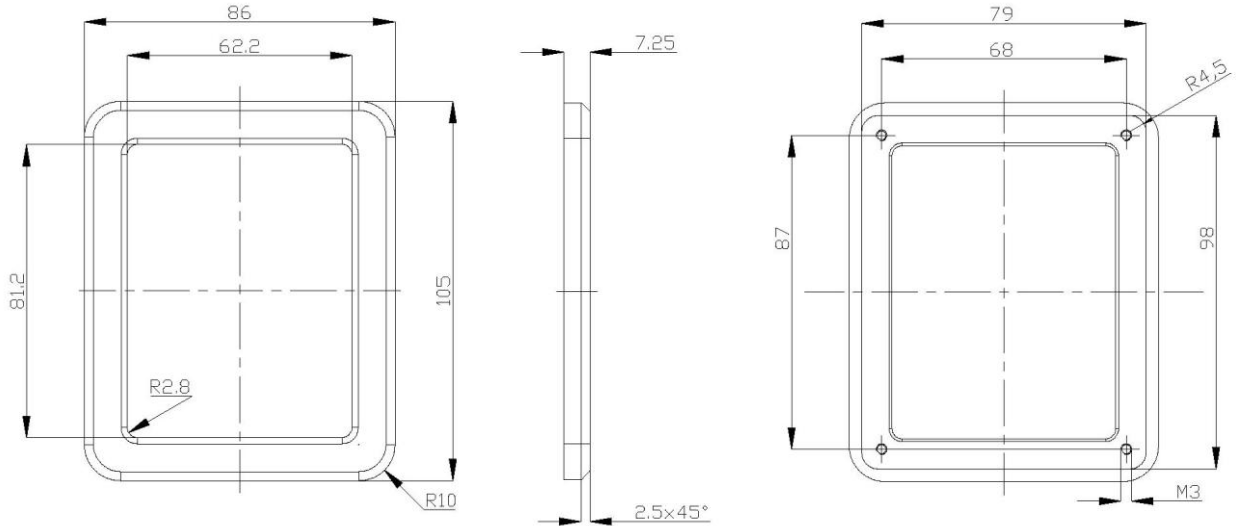


4.2 Dimensions Accessory Kit

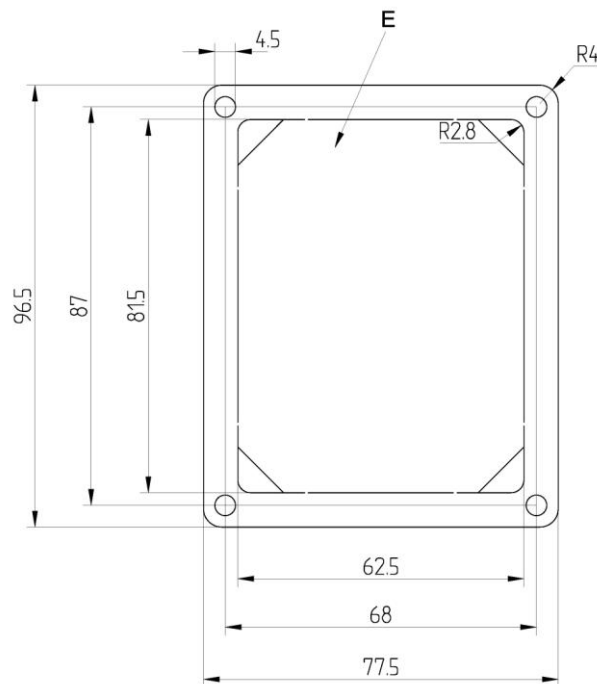
Changes that contribute to technical improvement are subject to alternations.							
page	Issue date:	created by:	amendment date:	released by:	amendment no.:	datasheet no.:	index
9 of 13	27.08.2008	M. Fischer	19.08.2011	HP.Friedrich	10440	0105.9539.200	h

Piezo Keypad 12 keys

Mounting Frame



Sealing



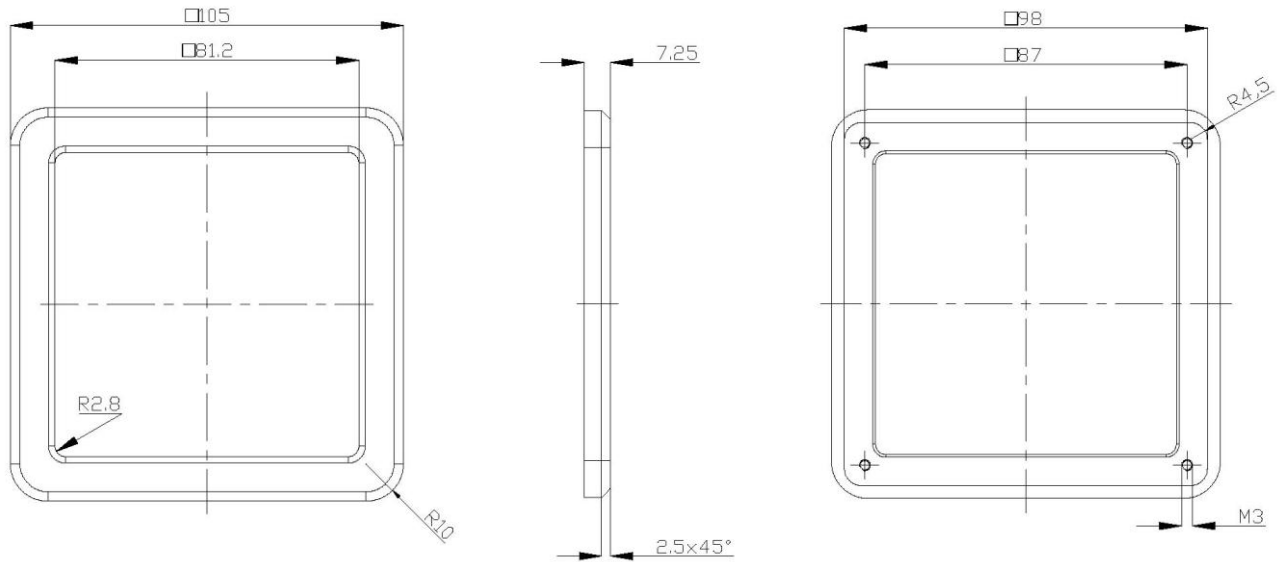
Legend

- E = Inner part falls out after mounting

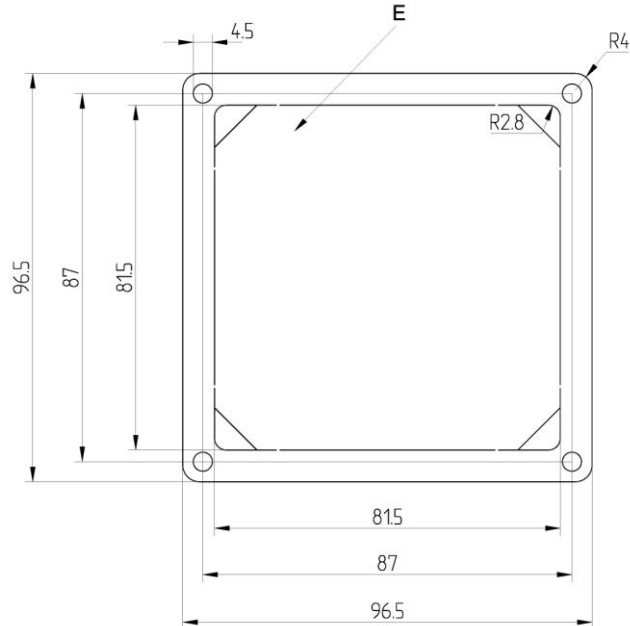
Changes that contribute to technical improvement are subject to alternations.							
page	Issue date:	created by:	amendment date:	released by:	amendment no.:	datasheet no.:	index
10 of 13	27.08.2008	M. Fischer	19.08.2011	HP.Friedrich	10440	0105.9539.200	h

Piezo Keypad 16 keys

Mounting Frame



Sealing



Legende

- *E = Inner part falls out after mounting*

Changes that contribute to technical improvement are subject to alternations.							
page	Issue date:	created by:	amendment date:	released by:	amendment no.:	datasheet no.:	index
11 of 13	27.08.2008	M. Fischer	19.08.2011	HP.Friedrich	10440	0105.9539.200	h

5 PACKAGING

	Packaging Unit	Type of Packaging
Piezo keypad 12 keys with protective foil	6	Reusable packaging
Piezo keypad 16 keys with protective foil	6	Reusable packaging

Note: Transport, storage and handling of piezo keypads should be in accordance with ESD guidelines.



6 QUALIFICATION TEST

6.1 Degree of Protection

IP Protection IEC/DIN/EN/ 60529	Piezo Keypad: IP 69K Mounting to the housing: IP 68 *
------------------------------------	--

* The accessory kit from SCHURTER enables the keypad to be sealed into the housing with the IP 68 protection class.

6.2 EMC Protection

EMC test DIN EN 61000-4-3 (2000)	4 kV contact discharge 8 kV air discharge
-------------------------------------	--

Changes that contribute to technical improvement are subject to alternations.							
page	Issue date:	created by:	amendment date:	released by:	amendment no.:	datasheet no.:	index
12 of 13	27.08.2008	M. Fischer	19.08.2011	HP.Friedrich	10440	0105.9539.200	h

7 APPROVALS



CE compliant

8 ROHS COMPLIANT



Changes that contribute to technical improvement are subject to alternations.							
page	Issue date:	created by:	amendment date:	released by:	amendment no.:	datasheet no.:	index
13 of 13	27.08.2008	M. Fischer	19.08.2011	HP.Friedrich	10440	0105.9539.200	h



Компания «ЭлектроПласт» предлагает заключение долгосрочных отношений при поставках импортных электронных компонентов на взаимовыгодных условиях!

Наши преимущества:

- Оперативные поставки широкого спектра электронных компонентов отечественного и импортного производства напрямую от производителей и с крупнейших мировых складов;
- Поставка более 17-ти миллионов наименований электронных компонентов;
- Поставка сложных, дефицитных, либо снятых с производства позиций;
- Оперативные сроки поставки под заказ (от 5 рабочих дней);
- Экспресс доставка в любую точку России;
- Техническая поддержка проекта, помощь в подборе аналогов, поставка прототипов;
- Система менеджмента качества сертифицирована по Международному стандарту ISO 9001;
- Лицензия ФСБ на осуществление работ с использованием сведений, составляющих государственную тайну;
- Поставка специализированных компонентов (Xilinx, Altera, Analog Devices, Intersil, Interpoint, Microsemi, Aeroflex, Peregrine, Syfer, Eurofarad, Texas Instrument, Miteq, Cobham, E2V, MA-COM, Hittite, Mini-Circuits, General Dynamics и др.);

Помимо этого, одним из направлений компании «ЭлектроПласт» является направление «Источники питания». Мы предлагаем Вам помощь Конструкторского отдела:

- Подбор оптимального решения, техническое обоснование при выборе компонента;
- Подбор аналогов;
- Консультации по применению компонента;
- Поставка образцов и прототипов;
- Техническая поддержка проекта;
- Защита от снятия компонента с производства.



Как с нами связаться

Телефон: 8 (812) 309 58 32 (многоканальный)

Факс: 8 (812) 320-02-42

Электронная почта: org@eplast1.ru

Адрес: 198099, г. Санкт-Петербург, ул. Калинина, дом 2, корпус 4, литера А.