

1. Features and Benefits

- Operating Voltage from 2.7V to 5.5V
- Two Integrated Hall plates for Direction Detection
- Latching Magnetic Characteristics
- Feedback loop during power-on

2. Application Examples

- Windows lifter with Anti-Pinch feature
- Rotation speed & direction detection
- Linear speed & direction detection
- Angular position detection
- Power closures with Anti-Pinch features

3. Description

The Melexis MLX92255 is a second generation Hall-effect dual latch designed in mixed signal CMOS technology. The device integrates a voltage regulator, two Hall sensors with advanced offset cancellation system and two open-drain output drivers, all in a single package.

Two Hall plates are integrated on the same piece of silicon, thus using the high precision of the wafer fabrication process to ensure a fixed spacing of 1.45mm between the sensing elements.

With latching magnetic characteristics, both speed outputs (OUT1, OUT2) are turned low or high respectively with a sufficiently strong South or North pole facing the package top side. When removing the magnetic field, the device keeps its previous state.

During Startup communication with the IC is possible to load the previous state into the registers of our IC. This will then be used as a starting point.

The MLX92255 is delivered in a Green compliant 5-pin Thin Small Outline Transistor (TSOT) for surface-mount process.

The block diagram is shown on Figure 1.

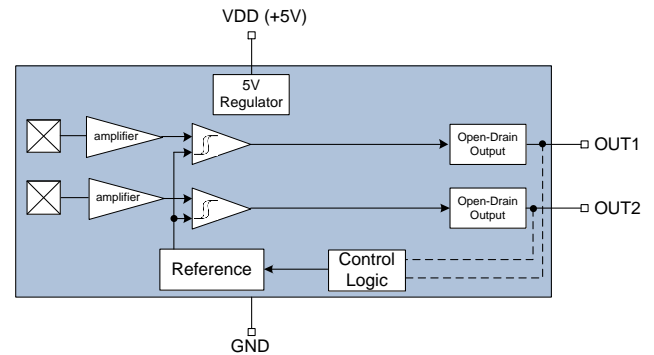


Figure 1

Contents

1. Features and Benefits.....	1
2. Application Examples.....	1
3. Description	1
4. Ordering Information	3
5. Glossary of Terms.....	3
6. Pin Definitions and Descriptions	3
6.1. Pin Definition for TSOT-5L	3
7. Absolute Maximum Ratings	4
8. General Electrical Specifications	5
9. Magnetic Specifications.....	6
9.1. MLX92255LSE-AA-001	6
10. Output Behavior versus Magnetic Pole.....	7
11. Application Information.....	8
11.1. Default Application Schematic.....	8
11.2. Start-up procedure	8
11.3. Output Jitter.....	9
12. Standard Information	10
13. ESD Precautions.....	10
14. SE Package Information	11
15. Contact.....	12
16. Disclaimer.....	12

4. Ordering Information

Product	Temperature	Package	Option Code	Packing Form	Definition
MLX92255LSE	L	SE	AAA-001	RE	Sensitivity ±3mT

Table 1

5. Glossary of Terms

Abbreviation	Description
TC	Temperature Coefficient [ppm/°C]
Gauss (G), Tesla (T)	Units for the magnetic flux density – 1 mT = 10 G
RoHS	Restriction of Hazardous Substances
TSOT	Thin Small Outline Transistor (TSOT package) – also referred with the Melexis package code “SE”
ESD	Electro-Static Discharge

Table 2

6. Pin Definitions and Descriptions

6.1. Pin Definition for TSOT-5L

Pin No.	Name	Description
1	OUT1	Start-up input/Open-Drain Output 1
2	OUT2	Start-up input/Open-Drain Output 2
3	VDD	Power Supply
4	GND	Ground pin
5	GND	Ground pin

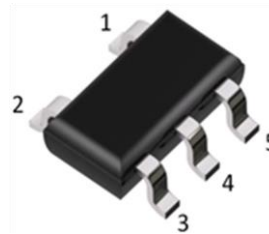


Table 3

7. Absolute Maximum Ratings

Parameter	Symbol	Min.	Typ.	Max.	Unit
Supply Voltage	V_{DD}	-0.5		6	V
Supply Current ⁽¹⁾	I_{DD}	-20		20	mA
Output Voltage	V_{OUT}	-0.5		6	V
Output Current ⁽¹⁾	I_{OUT}	-20		20	mA
Operating Temperature Range	T_A	-40		150	°C
Maximum Junction Temperature	T_J			165	°C
ESD Sensitivity – HBM ⁽²⁾	-			8	kV
ESD Sensitivity – CDM ⁽³⁾	-			1000	V
Magnetic Flux Density	B			Unlimited	mT

Table 4

Exceeding the absolute maximum ratings may cause permanent damage. Exposure to absolute maximum-rated conditions for extended periods may affect device reliability.

¹ Including current through the protection structure. Max Power dissipation should be also considered

² Human Body Model according AEC-Q100-002 standard

³ Charged Device Model according AEC-Q100-011 standard

8. General Electrical Specifications

DC Operating Parameters $T_A = -40^{\circ}\text{C}$ to 150°C , $V_{DD} = 2.7\text{V}$ to 5.5V (unless otherwise specified)

Electrical Parameter	Symbol	Min.	Typ. ⁽¹⁾	Max.	Unit	Condition
Supply Voltage	V_{DD}	2.7	-	5.5	V	Operating
Supply Current	I_{DD}	3	5	7	mA	
Output Leakage Current	I_{OFF}		0.001	5	μA	$V_{OUT} = 5.5\text{V}$, $B < B_{RP}$
Output Saturation Voltage	V_{OUTS}		0.15	0.4	V	$B > B_{OP}$, $I_{OUT} = 5\text{mA}$
Output Rise/Fall Time ^(2,3)	t_R / t_F		0.3		μs	$V_{DD} = 5\text{V}$, V_{PU} ⁽⁴⁾ = 5V, $R_{PU} = 1\text{k}\Omega$, $C_L = 50\text{pF}$
Chopping Frequency	f_{CHOP}		500		kHz	
Output Refresh Period	t_{PER}		4	6	μs	
Output Jitter (p-p value) ⁽²⁾	t_{JITTER}		4.8		μs	Over 1000 successive output switching events @10kHz triangle wave, $B_{PEAK} = 30\text{mT}$
Maximum Switching Frequency ^(2,5)	f_{SW}	40	66		kHz	$\geq 10\text{mT}$ triangle wave magnetic field
Power-On Reset Voltage ⁽⁶⁾	V_{POR}		2.5	2.6	V	
Power-On Time ⁽⁷⁾	t_{PON}		20	40	μs	$V_{DD} = 5\text{V}$, $dV_{DD}/dt > 2\text{V}/\mu\text{s}$
Input High Voltage ⁽⁸⁾	V_{IH}	2.0	-	5.5	V	
Input Low Voltage ⁽⁸⁾	V_{IL}	-	-	0.8	V	
SE Package Thermal Resistance	R_{THJA}		300		$^{\circ}\text{C}/\text{W}$	Single layer (1S) JEDEC board

Table 5

1 Typical values are defined at $T_A = +25^{\circ}\text{C}$ and $V_{DD} = 5\text{V}$

2 Guaranteed by design and verified by characterization, not production tested

3 Measured between $0.1 \cdot V_{PU}$ and $0.9 \cdot V_{PU}$

4 R_{PU} and V_{PU} are respectively the external pull-up resistor and pull-up power supply

5 Maximum switching frequency corresponds to the maximum frequency of the applied magnetic field which is detected without loss of pulses

6 If V_{DD} drops below V_{POR} the output is reset to High state

7 The Power-On Time represents the time from reaching $V_{DD} = 2.7\text{V}$ to the first refresh of the outputs

8 Applicable for OUT1 and OUT2 during start-up

9. Magnetic Specifications

9.1. MLX92255LSE-AA-001

DC Operating Parameters $T_A = -40^{\circ}\text{C}$ to 150°C , $V_{DD} = 2.7\text{V}$ to 5.5V (unless otherwise specified)

Parameter	Symbol	Min.	Typ. ⁽¹⁾	Max.	Unit	Condition
Operating Point	B_{OP}	0.5	3.0	5.5	mT	
Release Point	B_{RP}	-5.5	-3.0	-0.5	mT	
Hysteresis ⁽²⁾	B_{HYST}	3	6	10	mT	$T_A = -40^{\circ}\text{C}$ to 150°C
		4	6	10	mT	$T_A = -40^{\circ}\text{C}$ to 55°C
Magnetic Matching	B_{MATCH}	-2		2	mT	$B_{OP1} - B_{OP2}$ or $B_{RP1} - B_{RP2}$, $T_A = 25^{\circ}\text{C}$
		-3		3	mT	$B_{OP1} - B_{OP2}$ or $B_{RP1} - B_{RP2}$
Magnetic Offset	B_{OFF}	-2		2	mT	$(B_{OP1} + B_{RP1}) / 2$, $(B_{OP2} + B_{RP2}) / 2$
Temperature Coefficient ⁽³⁾	TC		-1800		ppm/ $^{\circ}\text{C}$	
Hall Sensors Spacing	-		1.45		mm	

Table 6

1 Typical values are defined at $T_A = +25^{\circ}\text{C}$ and $V_{DD} = 5\text{V}$

2 Guaranteed by design and verified by characterization, not production tested

3 Temperature coefficient value is guaranteed by design and verified by characterization and is calculated using the following formula:

$$\frac{B_{T_2} - B_{T_1}}{B_{25^{\circ}\text{C}} \times (T_2 - T_1)} \times 10^6, \left[\frac{\text{ppm}}{^{\circ}\text{C}} \right]; T_1 = -40^{\circ}\text{C}; T_2 = 150^{\circ}\text{C}$$

10. Output Behavior versus Magnetic Pole

DC Operating Parameters $T_A = -40^{\circ}\text{C}$ to 150°C , $V_{DD} = 2.7\text{V}$ to 5.5V (unless otherwise specified)

Parameter	Output State	Condition
South pole	Low	$B > B_{OP}$
North pole	High ⁽¹⁾	$B < B_{RP}$

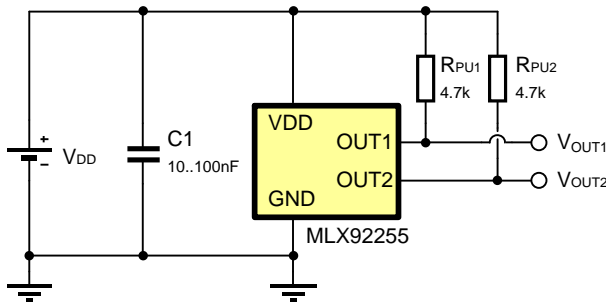
Table 7: Output behavior versus magnetic pole ⁽²⁾

¹ Default output state during power-up

² Magnetic pole applied perpendicularly to Hall plate, facing the branded/top side of the package

11. Application Information

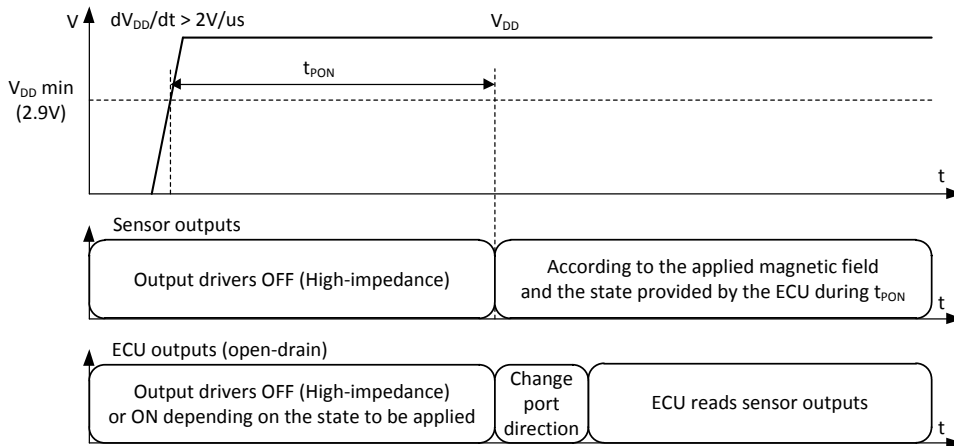
11.1. Default Application Schematic



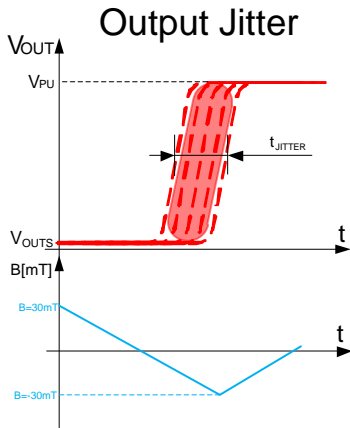
Note:

1. For proper operation, a 10nF to 100nF bypass capacitor should be placed as close as possible to the V_{DD} and ground pin.

11.2. Start-up procedure



11.3. Output Jitter



12. Standard Information

Our products are classified and qualified regarding soldering technology, solderability and moisture sensitivity level according to following test methods:

Reflow Soldering SMD's (Surface Mount Developments)

- IPC/JEDEC J-STD-020
Moisture/Reflow Sensitivity Classification for Nonhermetic Solid State Surface Mount Devices (classification reflow profiles according to table 5-2)
- EIA/JEDEC JESD22-A113
Preconditioning of Nonhermetic Surface Mount Devices Prior to Reliability Testing (reflow profiles according to table 2)

Wave Soldering SMD's (Surface Mount Developments) and THD's (Through Hole Developments)

- EN60749-20
Resistance of plastic- encapsulated SMD's to combined effect of moisture and soldering heat
- EIA/JEDEC JESD22-B106 and EN60749-15
Resistance to soldering temperature for through-hole mounted devices

Iron Soldering THD's (Through Hole Developments)

- EN60749-15
Resistance to soldering temperature for through-hole mounted devices

Solderability SMD's (Surface Mount Developments) and THD's (Through Hole Developments)

- EIA/JEDEC JESD22-B102 and EN60749-21
Solderability

For all soldering technologies deviating from above mentioned standard conditions (regarding peak temperature, temperature gradient, temperature profile etc) additional classification and qualification tests have to be agreed upon with Melexis.

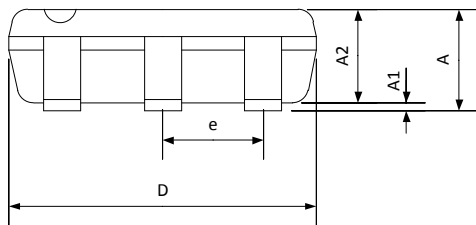
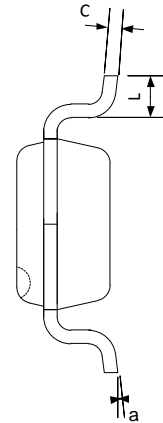
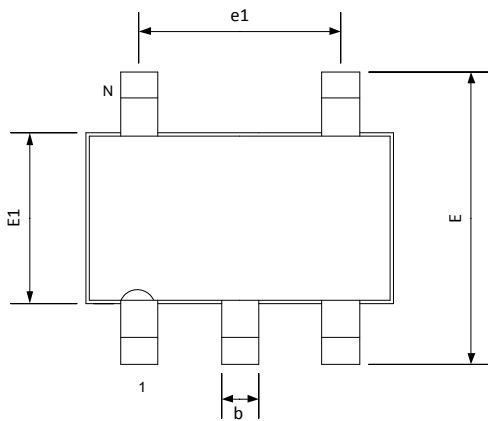
The application of Wave Soldering for SMD's is allowed only after consulting Melexis regarding assurance of adhesive strength between device and board.

Melexis is contributing to global environmental conservation by promoting **lead free** solutions. For more information on qualifications of **RoHS** compliant products (RoHS = European directive on the Restriction Of the use of certain Hazardous Substances) please visit the quality page on our website: <http://www.melexis.com/quality.aspx>

13. ESD Precautions

Electronic semiconductor products are sensitive to Electro Static Discharge (ESD). Always observe Electro Static Discharge control procedures whenever handling semiconductor products.

14. SE Package Information



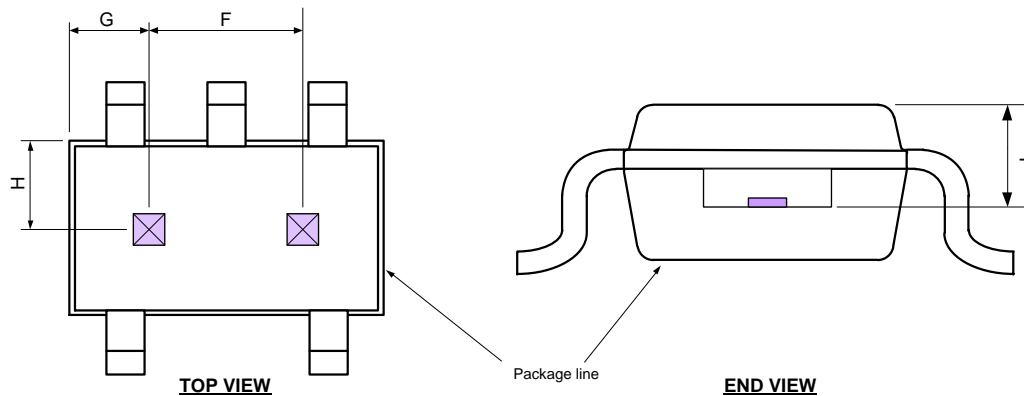
Notes:

1. Dimension "D" and "E1" do not include mold flash or protrusions. Mold flash or protrusion shall not exceed 0.15mm on "D" and 0.25mm on "E" per side.
2. Dimension "b" does not include dambar protrusion.
3. This part is compliant with JEDEC specification MO-193. This part is full compliance to EIAJ specification SC-74.

Marking:

Top Side: ●55A – Name of the Device (MLX92255)
 Bottom Side: xyww x = last digit of lot number
 y = last digit of year
 ww = week

Hall plate location



This table in mm

N	A	A1	A2	D	E	E1	L	b	c	e	e1	F	G	H	I	α
5	min	–	0.025	0.85	2.80	2.60	1.50	0.30	0.30	0.10	0.95	1.45	0.525	0.6	0.562	0°
	max	1.00	0.10	0.90	3.00	3.00	1.70	0.50	0.45	0.20	BSC	1.45	0.925	1	0.622	8°

15. Contact

For the latest version of this document, go to our website at www.melexis.com.

For additional information, please contact our Direct Sales team and get help for your specific needs:

Europe, Africa	Telephone: +32 13 67 04 95
	Email : sales_europe@melexis.com
Americas	Telephone: +1 603 223 2362
	Email : sales_usa@melexis.com
Asia	Email : sales_asia@melexis.com

16. Disclaimer

The information furnished by Melexis herein ("Information") is believed to be correct and accurate. Melexis disclaims (i) any and all liability in connection with or arising out of the furnishing, performance or use of the technical data or use of the product(s) as described herein ("Product") (ii) any and all liability, including without limitation, special, consequential or incidental damages, and (iii) any and all warranties, express, statutory, implied, or by description, including warranties of fitness for particular purpose, non-infringement and merchantability. No obligation or liability shall arise or flow out of Melexis' rendering of technical or other services.

The Information is provided "as is" and Melexis reserves the right to change the Information at any time and without notice. Therefore, before placing orders and/or prior to designing the Product into a system, users or any third party should obtain the latest version of the relevant information to verify that the information being relied upon is current. Users or any third party must further determine the suitability of the Product for its application, including the level of reliability required and determine whether it is fit for a particular purpose.

The Information is proprietary and/or confidential information of Melexis and the use thereof or anything described by the Information does not grant, explicitly or implicitly, to any party any patent rights, licenses, or any other intellectual property rights.

This document as well as the Product(s) may be subject to export control regulations. Please be aware that export might require a prior authorization from competent authorities.

The Product(s) are intended for use in normal commercial applications. Unless otherwise agreed upon in writing, the Product(s) are not designed, authorized or warranted to be suitable in applications requiring extended temperature range and/or unusual environmental requirements. High reliability applications, such as medical life-support or life-sustaining equipment are specifically not recommended by Melexis.

The Product(s) may not be used for the following applications subject to export control regulations: the development, production, processing, operation, maintenance, storage, recognition or proliferation of 1) chemical, biological or nuclear weapons, or for the development, production, maintenance or storage of missiles for such weapons; 2) civil firearms, including spare parts or ammunition for such arms; 3) defense related products, or other material for military use or for law enforcement; 4) any applications that, alone or in combination with other goods, substances or organisms could cause serious harm to persons or goods and that can be used as a means of violence in an armed conflict or any similar violent situation.

The Products sold by Melexis are subject to the terms and conditions as specified in the Terms of Sale, which can be found at <https://www.melexis.com/en/legal/terms-and-conditions>.

This document supersedes and replaces all prior information regarding the Product(s) and/or previous versions of this document.

Melexis NV © - No part of this document may be reproduced without the prior written consent of Melexis. (2016)

ISO/TS 16949 and ISO14001 Certified



Компания «ЭлектроПласт» предлагает заключение долгосрочных отношений при поставках импортных электронных компонентов на взаимовыгодных условиях!

Наши преимущества:

- Оперативные поставки широкого спектра электронных компонентов отечественного и импортного производства напрямую от производителей и с крупнейших мировых складов;
- Поставка более 17-ти миллионов наименований электронных компонентов;
- Поставка сложных, дефицитных, либо снятых с производства позиций;
- Оперативные сроки поставки под заказ (от 5 рабочих дней);
- Экспресс доставка в любую точку России;
- Техническая поддержка проекта, помощь в подборе аналогов, поставка прототипов;
- Система менеджмента качества сертифицирована по Международному стандарту ISO 9001;
- Лицензия ФСБ на осуществление работ с использованием сведений, составляющих государственную тайну;
- Поставка специализированных компонентов (Xilinx, Altera, Analog Devices, Intersil, Interpoint, Microsemi, Aeroflex, Peregrine, Syfer, Eurofarad, Texas Instrument, Miteq, Cobham, E2V, MA-COM, Hittite, Mini-Circuits, General Dynamics и др.);

Помимо этого, одним из направлений компании «ЭлектроПласт» является направление «Источники питания». Мы предлагаем Вам помощь Конструкторского отдела:

- Подбор оптимального решения, техническое обоснование при выборе компонента;
- Подбор аналогов;
- Консультации по применению компонента;
- Поставка образцов и прототипов;
- Техническая поддержка проекта;
- Защита от снятия компонента с производства.



Как с нами связаться

Телефон: 8 (812) 309 58 32 (многоканальный)

Факс: 8 (812) 320-02-42

Электронная почта: org@eplast1.ru

Адрес: 198099, г. Санкт-Петербург, ул. Калинина, дом 2, корпус 4, литера А.