

## Ultra Small Voltage Detector with High Precision Delay Circuit and Manual Reset Function

## ■ GENERAL DESCRIPTION

XC6127 series is ultra small highly accurate voltage detector with delay circuit built-in.

The device includes a highly accurate reference voltage source, manufactured using CMOS process technology and laser trimming technologies, it maintains high accuracy, low power consumption, and accurate releases delay time over the full operation temperature range.

The release delay time periods are internally set in a range from 50ms to 800ms.

Moreover, with the manual reset function, reset can be asserted at any time.

The device is available in both CMOS and N-channel open drain output configurations. Also detect logic is available in both RESETB (Active Low) and RESET (Active High).

Ultra small package USPN-4 is ideally suited for small design of portable devices and high densely mounting applications. The conventional packages SSOT-24, SOT-25 is also available for upper compatible replacements.

## ■ APPLICATIONS

- Microprocessor logic reset circuitry
- System battery life and charge voltage monitors
- Memory battery back-up circuits
- Power-on reset circuits
- Power failure Detection
- Delay circuit

## ■ FEATURES

<b>High Accuracy</b>	: $\pm 0.8\%$ (25°C)
<b>Temperature Characteristics</b>	: $\pm 50\text{ppm}/^\circ\text{C}$
<b>Low Power Consumption</b>	: $0.6\ \mu\text{A}$ TYP. (Detect: $V_{DF}=1.8\text{V}$ , $V_{IN}=1.62\text{V}$ ) $0.7\ \mu\text{A}$ TYP. (Release: $V_{DF}=1.8\text{V}$ , $V_{IN}=1.98\text{V}$ )
<b>Operating Voltage Range</b>	: $0.7\text{V}\sim 6.0\text{V}$
<b>Detect Voltage Range</b>	: $1.5\text{V}\sim 5.5\text{V}$ (0.1V increments)
<b>Manual Reset Input</b>	: MRB Pin (Built-in Pull-up resistance)
<b>Output Configuration</b>	: N-channel open drain or CMOS
<b>Output Logic</b>	: RESETB (Active Low) RESET (Active High)
<b>Release Delay Time</b>	: 50ms/100ms/200ms/400ms/800ms $\pm 15\%$
<b>Operating Ambient Temperature</b>	: $-40^\circ\text{C} \sim +85^\circ\text{C}$
<b>Packages</b>	: USPN-4, SSOT-24, SOT-25
<b>Environmentally Friendly</b>	: EU RoHS Compliant, Pb Free

## ■ TYPICAL APPLICATION CIRCUIT



## ■ TYPICAL PERFORMANCE CHARACTERISTICS



## PIN CONFIGURATION



## PIN ASSIGNMENT

PIN NUMBER			PIN NAME	FUNCTIONS
USPN-4	SSOT-24	SOT-25		
1	4	4	RESETB	Signal Output (Active Low) <sup>(*1)</sup>
1	4	4	RESET	Signal Output (Active High) <sup>(*2)</sup>
2	3	1	MRB	Manual Reset Input
3	2	2	V <sub>SS</sub>	Ground
4	1	5	V <sub>IN</sub>	Power Input

(\*1) Type A~E (Refer to the ④ in Ordering Information table)

(\*2) Type F~K (Refer to the ④ in Ordering Information table)

## FUNCTION CHART

PIN NAME	SIGNAL	STATUS
MRB	L	Forced Reset
	H	Normal Operation
	OPEN	Normal Operation

## ■ PRODUCT CLASSIFICATION

### ● Ordering Information

XC6127①②③④⑤⑥-⑦<sup>(\*)</sup>

DESIGNATOR	ITEM	SYMBOL	DESCRIPTION
①	Output Configuration	C	CMOS output
		N	N-ch open drain output
②③	Detect Voltage	15~55	e.g. 2.7V → ②=2, ③=7
④	Type	A	Reset Active Low, Release Delay Time: 50ms
		B	Reset Active Low, Release Delay Time: 100ms
		C	Reset Active Low, Release Delay Time: 200ms
		D	Reset Active Low, Release Delay Time: 400ms
		E	Reset Active Low, Release Delay Time: 800ms
		F	Reset Active High, Release Delay Time: 50ms
		G	Reset Active High, Release Delay Time: 100ms
		H	Reset Active High, Release Delay Time: 200ms
		J	Reset Active High, Release Delay Time: 400ms
		K	Reset Active High, Release Delay Time: 800ms
⑤⑥-⑦ <sup>(*)</sup>	Packages (Order Unit)	7R-G	USPN-4 (5,000/Reel)
		MR-G	SOT-25 (3,000/Reel)
		NR-G	SSOT-24 (3,000/Reel)

<sup>(\*)</sup> The "-G" suffix denotes Halogen and Antimony free as well as being fully RoHS compliant.

## ■ BLOCK DIAGRAMS

1) XC6127 Series, Type CxxA/CxxB/CxxC/CxxD/CxxE (CMOS Output, Output Logic: Active Low)



\* Diodes inside the circuits are ESD protection diodes and parasitic diodes.

2) XC6127 Series, Type NxxA/NxxB/NxxC/NxxD/NxxE (N-ch Open Drain Output, Output Logic: Active Low)



\* Diodes inside the circuits are ESD protection diodes

## ■ BLOCK DIAGRAMS (Continued)

3) XC6127 Series, Type CxxF/CxxG/CxxH/CxxJ/CxxK (CMOS Output, Output Logic: Active High)



\* Diodes inside the circuits are ESD protection diodes and parasitic diodes.

4) XC6127 Series, Type NxxF/NxxG/NxxH/NxxJ/NxxK (N-ch Open Drain Output, Output Logic: Active High)



\* Diodes inside the circuits are ESD protection diodes.

## ■ ABSOLUTE MAXIMUM RATINGS

Ta=25°C

PARAMETER		SYMBOL	RATINGS	UNITS
Input Voltage		V <sub>IN</sub>	V <sub>SS</sub> -0.3~V <sub>SS</sub> +6.5	V
MRB Input Voltage		V <sub>MRB</sub>	V <sub>SS</sub> ~V <sub>SS</sub> +6.5	V
Output Current		(*1)	20	mA
Output Voltage	XC6127C (*2)	(*4)	V <sub>SS</sub> -0.3~V <sub>IN</sub> +0.3 ≤ V <sub>SS</sub> +6.5	V
	XC6127N (*3)		V <sub>SS</sub> -0.3~V <sub>SS</sub> +6.5	
Power Dissipation	USPN-4	Pd	100	mW
	SOT-25		250	
	SSOT-24		150	
Operating Ambient Temperature		Topr	-40~+85	°C
Storage Temperature		Tstg	-55~+125	°C

Note:

(\*1) SYMBOL is different for each product.

I<sub>RBOUT</sub>: Type XC6127CxxA/CxxB/CxxC/CxxD/CxxE, Type XC6127NxxA/NxxB/NxxC/NxxD/NxxE

I<sub>ROUT</sub>: Type XC6127CxxF/CxxG/CxxH/CxxJ/CxxK, Type XC6127NxxF/NxxG/NxxH/NxxJ/NxxK

(\*2) CMOS Output

(\*3) N-ch Open Drain Output

(\*4) SYMBOL is different for each product.

V<sub>RESETB</sub>: Type XC6127CxxA/CxxB/CxxC/CxxD/CxxE, Type XC6127NxxA/NxxB/NxxC/NxxD/NxxE

V<sub>RESET</sub>: Type XC6127CxxF/CxxG/CxxH/CxxJ/CxxK, Type XC6127NxxF/NxxG/NxxH/NxxJ/NxxK

## ELECTRICAL CHARACTERISTICS

●XC6127CxxA/CxxB/CxxC/CxxD/CxxE, XC6127NxxA/NxxB/NxxC/NxxD/NxxE (Output Logic: Active Low)

Ta=25°C

PARAMETER	SYMBOL	CONDITIONS	MIN.	TYP.	MAX.	UNITS	CIRCUIT
Operating Voltage	V <sub>IN</sub>	V <sub>DF(T)</sub> <sup>(*)</sup> =1.5~5.5V, MRB=OPEN <sup>(*)</sup>	0.7 <sup>(*)</sup>		6.0	V	-
Detect Voltage	V <sub>DFL</sub>	V <sub>DF(T)</sub> =1.5~5.5V, MRB=OPEN	V <sub>DF(T)</sub> ×0.992	V <sub>DF(T)</sub>	V <sub>DF(T)</sub> ×1.008	V	①
			E-1 <sup>(*)</sup>				
Hysteresis Width	V <sub>HYS</sub>		V <sub>DFL</sub> ×0.02	V <sub>DFL</sub> ×0.05	V <sub>DFL</sub> ×0.08	V	①
Supply Current 1	I <sub>SS1</sub>	V <sub>IN</sub> =V <sub>DFL</sub> ×0.9, MRB=OPEN	-	0.6	1.4	μA	②
		V <sub>DF(T)</sub> =1.5~1.8V	-	0.7	1.6		
		V <sub>DF(T)</sub> =1.9~3.0V	-	1.0	1.9		
Supply Current 2	I <sub>SS2</sub>	V <sub>IN</sub> =V <sub>DFL</sub> ×1.1 <sup>(*)</sup> , MRB=OPEN	-	0.7	1.6	μA	②
		V <sub>DF(T)</sub> =1.5~1.8V	-	0.8	1.9		
		V <sub>DF(T)</sub> =1.9~3.0V	-	1.1	2.35		
RESETB Output Current	I <sub>RBOUT1</sub>	V <sub>IN</sub> =0.7V, V <sub>RESETB</sub> =0.5V(Nch), MRB=OPEN	0.014	0.2	-	mA	③
		V <sub>IN</sub> =1.0V, V <sub>RESETB</sub> =0.5V(Nch), MRB=OPEN	0.5	1.6	-		
		V <sub>IN</sub> =2.0V <sup>(*)</sup> , V <sub>RESETB</sub> =0.5V(Nch), MRB=OPEN	4.4	7.0	-		
		V <sub>IN</sub> =3.0V <sup>(*)</sup> , V <sub>RESETB</sub> =0.5V(Nch), MRB=OPEN	7.0	9.0	-		
		V <sub>IN</sub> =4.0V <sup>(*)</sup> , V <sub>RESETB</sub> =0.5V(Nch), MRB=OPEN	8.5	11.0	-		
	I <sub>RBOUT2</sub> <sup>(*)</sup>	V <sub>IN</sub> =6.0V, V <sub>RESETB</sub> =5.5V(Pch), MRB=OPEN	-	-4.5	-3.0	mA	③
RESETB Leakage Current	CMOS Output(Pch)	I <sub>LEAK</sub>	V <sub>IN</sub> =V <sub>DFL</sub> ×0.9, V <sub>RESETB</sub> =0V, MRB=OPEN	-	-0.01	μA	③
	Nch Open Drain Output		V <sub>IN</sub> =6.0V, V <sub>RESETB</sub> =6.0V, MRB=OPEN	-	0.01	0.15	
Temperature Characteristics	$\frac{\Delta V_{DFL}}{(\Delta T_{opr} \cdot V_{DFL})}$	-40°C ≤ Topr ≤ 85°C	-	±50	-	ppm/°C	①
Detect Delay Time <sup>(*)</sup>	t <sub>DF</sub>	V <sub>IN</sub> =V <sub>DFL</sub> ×1.1→V <sub>DFL</sub> ×0.9 <sup>(*)</sup> , MRB=OPEN	-	-	100	μs	④
Release Delay Time <sup>(*)</sup>	t <sub>DR</sub>	V <sub>IN</sub> =V <sub>DFL</sub> ×0.9→V <sub>DFL</sub> ×1.1 <sup>(*)</sup> , MRB=OPEN	E-2 <sup>(*)</sup>			ms	④
MRB "Low" Level Voltage <sup>(*)</sup>	V <sub>MRL</sub>	V <sub>DFL</sub> ×1.1 ≤ V <sub>IN</sub> ≤ 6.0V	V <sub>SS</sub>	-	0.3	V	⑤
MRB "High" Level Voltage <sup>(*)</sup>	V <sub>MRH</sub>	V <sub>DFL</sub> ×1.1 ≤ V <sub>IN</sub> ≤ 6.0V	1.0	-	6.0	V	⑤
MRB pull-up Resistance	R <sub>MRB</sub>		0.4	0.8	3.0	MΩ	⑥
Minimum MRB Pulse Width	T <sub>MRB</sub>	V <sub>IN</sub> =6.0V, Applied pulse to MRB pin,	150	-	-	ns	⑦

**Note:**

- (\*1) V<sub>DF(T)</sub> : Nominal detect voltage
- (\*2) For the N-ch Open Drain, R<sub>pull</sub>=100kΩ, V<sub>pull-Up</sub>=V<sub>IN</sub>  
R<sub>pull</sub>: An External Pull-up resistor  
V<sub>pull-Up</sub>: Pull-up Voltage
- (\*3) V<sub>IN</sub> voltage for V<sub>OUT</sub> ≤ 0.3V is under detect state.
- (\*4) For the detail value, please refer to "Voltage Table" in P10.
- (\*5) V<sub>DF(T)</sub> = 5.5V where V<sub>IN</sub>=6.0V
- (\*6) For V<sub>DF(T)</sub> > 2.0V products.
- (\*7) For V<sub>DF(T)</sub> > 3.0V products.
- (\*8) For V<sub>DF(T)</sub> > 4.0V products.
- (\*9) For V<sub>DF(T)</sub> > 5.0V products.
- (\*10) For the XC6127C (CMOS output)
- (\*11) A time between V<sub>IN</sub>=V<sub>DFL</sub> and V<sub>RESETB</sub>=V<sub>DFL</sub>×0.45 when V<sub>IN</sub> falls.
- (\*12) A time between V<sub>IN</sub>=V<sub>DFL</sub>+V<sub>HYS</sub> and V<sub>RESETB</sub>=V<sub>DFL</sub>×0.55 when V<sub>IN</sub> rises.
- (\*13) For the detail value, please refer to "Release Delay Time" in P11.
- (\*14) For MRB pin, please do not apply the voltage below V<sub>SS</sub>.

## ELECTRICAL CHARACTERISTICS (Continued)

Ta=25°C

●XC6127CxxF/CxxG/CxxH/CxxJ/CxxK, XC6127NxxF/NxxG/NxxH/NxxJ/NxxK (Output Logic: Active High)

PARAMETER		SYMBOL	CONDITIONS	MIN.	TYP.	MAX.	UNITS	CIRCUIT
Operating Voltage		V <sub>IN</sub>	V <sub>DF(T)</sub> <sup>(1)</sup> =1.5~5.5V, MRB=OPEN <sup>(2)</sup>	0.7 <sup>(3)</sup>		6.0	V	-
Detect Voltage		V <sub>DFH</sub>	V <sub>DF(T)</sub> =1.5~5.5V, MRB=OPEN	V <sub>DF(T)</sub> ×0.992	V <sub>DF(T)</sub>	V <sub>DF(T)</sub> ×1.008	V	①
Hysteresis Width		V <sub>HYS</sub>		V <sub>DFH</sub> ×0.02	V <sub>DFH</sub> ×0.05	V <sub>DFH</sub> ×0.08	V	①
Supply Current 1		I <sub>SS1</sub>	V <sub>IN</sub> =V <sub>DFH</sub> ×0.9, MRB=OPEN V <sub>DF(T)</sub> =1.5~1.8V V <sub>DF(T)</sub> =1.9~3.0V V <sub>DF(T)</sub> =3.1~5.5V	-	0.6 0.7 1.0	1.4 1.6 1.9	μA	②
Supply Current 2		I <sub>SS2</sub>	V <sub>IN</sub> =V <sub>DFH</sub> ×1.1 <sup>(5)</sup> , MRB=OPEN V <sub>DF(T)</sub> =1.5~1.8V V <sub>DF(T)</sub> =1.9~3.0V V <sub>DF(T)</sub> =3.1~5.5V	-	0.7 0.8 1.1	1.6 1.9 2.35	μA	②
RESET Output Current		I <sub>ROUT1</sub>	V <sub>IN</sub> =1.65V <sup>(6)</sup> , V <sub>RESET</sub> =0.5V(Nch), MRB=OPEN	0.5	1.6	-	mA	③
			V <sub>IN</sub> =2.0V <sup>(7)</sup> , V <sub>RESET</sub> =0.5V(Nch), MRB=OPEN	4.4	7.0	-		
			V <sub>IN</sub> =3.0V <sup>(8)</sup> , V <sub>RESET</sub> =0.5V(Nch), MRB=OPEN	7.0	9.0	-		
			V <sub>IN</sub> =4.0V <sup>(9)</sup> , V <sub>RESET</sub> =0.5V(Nch), MRB=OPEN	8.5	11.0	-		
			V <sub>IN</sub> =5.0V <sup>(10)</sup> , V <sub>RESET</sub> =0.5V(Nch), MRB=OPEN	9.0	12.0	-		
			V <sub>IN</sub> =6.0V, V <sub>RESET</sub> =0.5V(Nch), MRB=OPEN	9.0	12.0	-		
		I <sub>ROUT2</sub> <sup>(11)</sup>	V <sub>IN</sub> =0.7V, V <sub>RESET</sub> =0.2V(Pch), MRB=OPEN	-	-0.07	-0.001	mA	③
			V <sub>IN</sub> =1.0V, V <sub>RESET</sub> =0.5V(Pch), MRB=OPEN	-	-0.4	-0.09		
			V <sub>IN</sub> =2.0V <sup>(12)</sup> , V <sub>RESET</sub> =1.5V(Pch), MRB=OPEN	-	-2.0	-1.3		
			V <sub>IN</sub> =3.0V <sup>(13)</sup> , V <sub>RESET</sub> =2.5V(Pch), MRB=OPEN	-	-3.0	-1.8		
			V <sub>IN</sub> =4.0V <sup>(14)</sup> , V <sub>RESET</sub> =3.5V(Pch), MRB=OPEN	-	-4.0	-2.5		
			V <sub>IN</sub> =5.0V <sup>(15)</sup> , V <sub>RESET</sub> =4.5V(Pch), MRB=OPEN	-	-4.5	-3.0		
RESET Leakage Current	CMOS Output (P-ch)	I <sub>LEAK</sub>	V <sub>IN</sub> =6.0V, V <sub>RESET</sub> =0V, MRB=OPEN	-	-0.01	-	μA	③
	N-ch Open Drain Output		V <sub>IN</sub> =V <sub>DFH</sub> ×0.9, V <sub>RESET</sub> =6.0V, MRB=OPEN	-	0.01	0.15	μA	
Temperature Characteristics		ΔV <sub>DFH</sub> / (ΔT <sub>opr</sub> ·V <sub>DFH</sub> )	-40°C ≤ T <sub>opr</sub> ≤ 85°C		±50	-	ppm/°C	①
Detect Delay Time <sup>(16)</sup>		t <sub>DF</sub>	V <sub>IN</sub> =V <sub>DFH</sub> ×1.1→V <sub>DFH</sub> ×0.9 <sup>(16)</sup> , MRB=OPEN	-	-	E-3 <sup>(17)</sup>	μs	④
Release Delay Time <sup>(18)</sup>		t <sub>DR</sub>	V <sub>IN</sub> =V <sub>DFH</sub> ×0.9→V <sub>DFH</sub> ×1.1 <sup>(18)</sup> , MRB=OPEN	E-2 <sup>(19)</sup>			ms	④
MRB "Low" Level Voltage <sup>(20)</sup>		V <sub>MRL</sub>	V <sub>DFH</sub> ×1.1 ≤ V <sub>IN</sub> ≤ 6.0V	V <sub>SS</sub>	-	0.3	V	⑤
MRB "High" Level Voltage <sup>(20)</sup>		V <sub>MRH</sub>	V <sub>DFH</sub> ×1.1 ≤ V <sub>IN</sub> ≤ 6.0V	1.0	-	6.0	V	⑤
MRB pull-up Resistance		R <sub>MRB</sub>		0.4	0.8	3.0	MΩ	⑥
Minimum MRB Pulse Width		T <sub>MRB</sub>	V <sub>IN</sub> =6.0V, Applied pulse to MRB pin, 6.0V→0V	150	-	-	ns	⑦



## ■ ELECTRICAL CHARACTERISTICS (Continued)

- (\*1)  $V_{DF(T)}$ : Nominal detect voltage
- (\*2) For the N-ch Open Drain,  $R_{pull}=100k\Omega$ ,  $V_{pull-Up}=V_{IN}$   
 $R_{pull}$ : An External Pull-up resistor  
 $V_{pull-Up}$ : Pull-up Voltage
- (\*3)  $V_{IN}$  voltage for  $V_{OUT} \geq 0.4V$  is under detect state.
- (\*4) For the detail value, please refer to "Voltage Table" in P10.
- (\*5)  $V_{DF(T)} = 5.5V$  where  $V_{IN}=6.0V$
- (\*6) For  $V_{DF(T)}=1.5V$  products.
- (\*7) For  $V_{DF(T)} \leq 1.8V$  products.
- (\*8) For  $V_{DF(T)} \leq 2.7V$  products.
- (\*9) For  $V_{DF(T)} \leq 3.6V$  products.
- (\*10) For  $V_{DF(T)} \leq 4.6V$  products.
- (\*11) For the XC6127C (CMOS output)
- (\*12) For  $V_{DF(T)} > 2.0V$  products.
- (\*13) For  $V_{DF(T)} > 3.0V$  products.
- (\*14) For  $V_{DF(T)} > 4.0V$  products.
- (\*15) For  $V_{DF(T)} > 5.0V$  products.
- (\*16) A time between  $V_{IN}=V_{DFH}$  and  $V_{RESET}=V_{DFH} \times 0.45$  when  $V_{IN}$  falls.
- (\*17) For the detail value, please refer to "Detect Delay Time" in P11.
- (\*18) A time between  $V_{IN}=V_{DFH}+V_{HYS}$  and  $V_{RESET}=V_{DFH} \times 0.55$  when  $V_{IN}$  rises.
- (\*19) For the detail value, please refer to "Release Delay Time" in P11.
- (\*20) For MRB pin, please do not apply the voltage below  $V_{SS}$ .

## ■ ELECTRICAL CHARACTERISTICS (Continued)

Voltage Table 1

NOMINAL DETECT VOLTAGE (V)	DETECT VOLTAGE (V) E-1	
	V <sub>DFL</sub> or V <sub>DFH</sub>	
V <sub>DF(T)</sub>	MIN.	MAX.
1.50	1.4880	1.5120
1.60	1.5872	1.6128
1.70	1.6864	1.7136
1.80	1.7856	1.8144
1.90	1.8848	1.9152
2.00	1.9840	2.0160
2.10	2.0832	2.1168
2.20	2.1824	2.2176
2.30	2.2816	2.3184
2.40	2.3808	2.4192
2.50	2.4800	2.5200
2.60	2.5792	2.6208
2.70	2.6784	2.7216
2.80	2.7776	2.8224
2.90	2.8768	2.9232
3.00	2.9760	3.0240
3.10	3.0752	3.1248
3.20	3.1744	3.2256
3.30	3.2736	3.3264
3.40	3.3728	3.4272
3.50	3.4720	3.5280
3.60	3.5712	3.6288
3.70	3.6704	3.7296
3.80	3.7696	3.8304
3.90	3.8688	3.9312
4.00	3.9680	4.0320

Voltage Table 2

NOMINAL DETECT VOLTAGE (V)	DETECT VOLTAGE (V) E-1	
	V <sub>DFL</sub> or V <sub>DFH</sub>	
V <sub>DF(T)</sub>	MIN.	MAX.
4.10	4.0672	4.1328
4.20	4.1664	4.2336
4.30	4.2656	4.3344
4.40	4.3648	4.4352
4.50	4.4640	4.5360
4.60	4.5632	4.6368
4.70	4.6624	4.7376
4.80	4.7616	4.8384
4.90	4.8608	4.9392
5.00	4.9600	5.0400
5.10	5.0592	5.1408
5.20	5.1584	5.2416
5.30	5.2576	5.3424
5.40	5.3568	5.4432
5.50	5.4560	5.5440

## ■ ELECTRICAL CHARACTERISTICS (Continued)

Release Delay Time Table

TYPE	RELEASE DELAY TIME (ms) E-2		
	$t_{DR}$		
	MIN.	TYP.	MAX.
	XC6127CxxA / XC6127NxxA	42.5	50
XC6127CxxB / XC6127NxxB	85	100	115
XC6127CxxC / XC6127NxxC	170	200	230
XC6127CxxD / XC6127NxxD	340	400	460
XC6127CxxE / XC6127NxxE	680	800	920
XC6127CxxF / XC6127NxxF	42.5	50	57.5
XC6127CxxG / XC6127NxxG	85	100	115
XC6127CxxH / XC6127NxxH	170	200	230
XC6127CxxJ / XC6127NxxJ	340	400	460
XC6127CxxK / XC6127NxxK	680	800	920

Detect Delay Time Table

TYPE	DETECT DELAY TIME ( $\mu$ s) E-3
	$t_{DF}$
	MAX.
	XC6127CxxF/CxxG/CxxH/CxxJ/CxxK
XC6127NxxF/NxxG/NxxH/NxxJ/NxxK	200

## OPERATIONAL EXPLANATION

1. Detect / Release operation using XC6127CxxA/CxxB/CxxC/CxxD/CxxE, XC6127NxxA/NxxB/NxxC/NxxD/NxxE  
(Output Logic: Active Low)

### Typical Application Circuit



### Timing Chart



A timing chart is used to explain the operation of the typical application circuit when MRB is open.

① In the initial state, an input voltage ( $V_{IN}$ ) higher than the release voltage ( $V_{DR}$ ) is applied, and then  $V_{IN}$  gradually falls.

While the input voltage ( $V_{IN}$ ) is higher than the detect voltage ( $V_{DFL}$ ), an output voltage ( $V_{RESETB}$ ) equal to the input voltage ( $V_{IN}$ ) goes out.

\*In the case of an N-ch open drain output product, the RESETB pin is in a high-impedance state, and if the output is pulled up, the output voltage ( $V_{RESETB}$ ) is equal to the pull-up voltage.

②③ After the elapse of the detect delay time ( $t_{DF}$ ) that starts when the input voltage ( $V_{IN}$ ) falls below the detect voltage ( $V_{DFL}$ ), an output voltage ( $V_{RESETB}$ ) equal to the ground voltage ( $V_{SS}$ ) goes out (detection state).

\*This is the same on the N-ch open drain output product.

④ The input voltage ( $V_{IN}$ ) drops further, and if it falls below the minimum operating voltage (0.7V), the output becomes undefined state.

\*When an N-ch open drain output product is used and the output pin is pulled up, an output voltage ( $V_{RESETB}$ ) equal to the pull-up voltage may be output.

⑤ The input voltage ( $V_{IN}$ ) rises past the minimum operating voltage (0.7V), and until it reaches the release voltage ( $V_{DR}$ ), the output voltage ( $V_{RESETB}$ ) is equal to the ground voltage.

⑥ From the time that the input voltage ( $V_{IN}$ ) becomes higher than the release voltage ( $V_{DR}$ ) until the release delay time ( $t_{DR}$ ) elapses, the output voltage ( $V_{RESETB}$ ) remains at the ground voltage due to the delay circuit.

⑦ After the release delay time ( $t_{DR}$ ) elapses, the output voltage ( $V_{RESETB}$ ) is equal to the input voltage ( $V_{IN}$ ) (release state).

\*In the case of an N-ch open drain output product, the RESETB pin will be in a high impedance state like ①. If the output is pulled up, an output voltage ( $V_{RESETB}$ ) equal to the pull-up voltage will be output.

⑧ The difference between the release voltage ( $V_{DR}$ ) and the detect voltage ( $V_{DFL}$ ) is the hysteresis width ( $V_{HYS}$ ).

## OPERATIONAL EXPLANATION (Continued)

### 2. XC6127CxxF/CxxG/CxxH/CxxJ/CxxK, XC6127NxxF/NxxG/NxxH/NxxJ/NxxK (Output Logic: Active High)

#### Typical Application Circuit



#### Timing Chart



A timing chart is used above to explain the operation of the typical application circuit when MRB is open.

- ① In the initial state, an input voltage ( $V_{IN}$ ) higher than the release voltage ( $V_{DR}$ ) is applied, and then  $V_{IN}$  gradually falls.  
While the input voltage ( $V_{IN}$ ) is higher than the detect voltage ( $V_{DFH}$ ), an output voltage ( $V_{RESET}$ ) equal to the ground voltage ( $V_{SS}$ ) goes out.  
\*This is the same on the N-ch open drain output product.
- ②③ After the elapse of the detect delay time ( $t_{DF}$ ) that starts when the input voltage ( $V_{IN}$ ) falls below the detect voltage ( $V_{DFH}$ ), the output voltage ( $V_{RESET}$ ) is equal to the input voltage ( $V_{IN}$ ) (detection state).  
\*In the case of an N-ch open drain output product, the RESET pin is in a high-impedance state, and if the output is pulled up, the output voltage ( $V_{RESET}$ ) is equal to the pull-up voltage.
- ④ The input voltage ( $V_{IN}$ ) drops further, and if it falls below the minimum operating voltage (0.7V), the output becomes undefined state.
- ⑤ The input voltage ( $V_{IN}$ ) rises past the minimum operating voltage (0.7V), and until it reaches the release voltage ( $V_{DR}$ ), the output voltage ( $V_{RESET}$ ) is equal to the  $V_{IN}$  voltage.  
\*In the case of an N-ch open drain output product, the RESET pin is in a high-impedance state, and if the output is pulled up, the output voltage ( $V_{RESET}$ ) is equal to the pull-up voltage.
- ⑥ From the time that the input voltage ( $V_{IN}$ ) becomes higher than the release voltage ( $V_{DR}$ ) until the release delay time ( $t_{DR}$ ) elapses, the output voltage ( $V_{RESET}$ ) remains equal to the  $V_{IN}$  voltage due to the delay circuit.
- ⑦ After the release delay time ( $t_{DR}$ ) elapses, the output voltage ( $V_{RESET}$ ) is equal to the ground voltage ( $V_{SS}$ ) (release state).
- ⑧ The difference between the release voltage ( $V_{DR}$ ) and the detect voltage ( $V_{DFH}$ ) is the hysteresis width ( $V_{HYS}$ ).

## OPERATIONAL EXPLANATION (Continued)

### 3. MRB Pin

The output pin signal can be forcibly changed to the detect state by an input signal to the MRB pin.

The operation of the circuit at MRB signal input is explained using a timing chart.

When an H level ( $V_{MRH}$ ) signal and then an L (or less) level ( $V_{MRL}$ ) signal are input to the MRB input voltage ( $V_{MRB}$ ) with a voltage equal to or higher than  $V_{DR}$  applied to the input voltage ( $V_{IN}$ ), the output pin outputs release state <sup>(\*)</sup> and then detect state <sup>(\*\*)</sup> signals.

During the release delay time ( $t_{DR}$ ) after the MRB input voltage ( $V_{MRB}$ ) changes from the L level ( $V_{MRL}$ ) to the H level ( $V_{MRH}$ ), the output pin maintains the detection state. After the release delay time ( $t_{DR}$ ) elapses, the output pin outputs the release state signal.

(\*1) The output voltage in the release state is indicated below by product type.

XC6127CxxA/CxxB/CxxC/CxxD/CxxE types, XC6127NxxA/NxxB/NxxC/NxxD/NxxE types (output logic: Active Low)

: Input voltage ( $V_{IN}$ ) <sup>(\*)</sup>

XC6127CxxF/CxxG/CxxH/CxxJ/CxxK types, XC6127NxxF/NxxG/NxxH/NxxJ/NxxK types (output logic: Active High)

: Ground voltage ( $V_{SS}$ )

(\*2) The output voltage in the detect state is indicated below by product type.

XC6127CxxA/CxxB/CxxC/CxxD/CxxE types, XC6127NxxA/NxxB/NxxC/NxxD/NxxE types (output logic: Active Low)

: Ground voltage ( $V_{SS}$ )

XC6127CxxF/CxxG/CxxH/CxxJ/CxxK types, XC6127NxxF/NxxG/NxxH/NxxJ/NxxK types (output logic: Active High)

: Input voltage ( $V_{IN}$ ) <sup>(\*)</sup>

(\*3) On an N-ch open drain output product, if the output is pulled up, the output voltage is the pull-up voltage.

(\*4) A pull-up resistance ( $R_{MRB}$ ) is built-in between the MRB pin and the  $V_{IN}$  pin, and thus if a voltage is applied to the MRB pin, current will flow from the  $V_{IN}$  pin to the MRB pin.

(\*5) The voltage input to the MRB pin should be within the range  $V_{SS}$  to 6.0 V.

### Timing Chart



## NOTE ON USE

1. Please use this IC within the stated maximum ratings. For temporary, transitional voltage drop or voltage rising phenomenon, the IC is liable to malfunction should the ratings be exceeded.
2. Note that there is a possibility of malfunctioning if the input voltage changes sharply or undergoes repeated, cyclical changes.
3. If the resistance  $R_{IN}$  is connected between the VIN pin and the power supply  $V_{DD}$ , the voltage drop due to the flow through current in the internal circuit and  $R_{IN}$  may cause oscillation when release takes place. When using the CMOS output product, oscillation due to  $R_{IN}$  and the flow through current may occur without relation to release and detection, and thus  $R_{IN}$  should not be connected.
4. When N-ch open drain output is used, the output voltage at detection is determined by the pull-up resistance connected to the output pin. Select the resistance based on the following considerations:

Using a XC6127CxxA/CxxB/CxxC/CxxD/CxxE or XC6127NxxA/NxxB/NxxC/NxxD/NxxE (output logic: Active Low)

At detection:  $V_{RESETB} = (V_{pull-Up}) / (1 + R_{pull} / R_{ON})$

$V_{pull-Up}$ : Voltage after pull-up

$R_{ON}^{(*)1}$ : ON resistance of N-ch driver (calculated from  $V_{RESETB} / I_{RBOU1}$  in electrical characteristics) <sup>(\*)3</sup>

Example calculation:

When  $V_{IN} = 2.0V^{(*)2}$ ,  $R_{ON} = 0.5 / 4.4 \times 10^{-3} \approx 114 \Omega$  (MAX.). If you wish to make the  $V_{RESETB}$  voltage at detection 0.1V or lower with  $V_{pull-Up} = 3.0V$ ,

$$R_{pull} = (V_{pull-Up} / V_{RESETB} - 1) \times R_{ON} = (3 / 0.1 - 1) \times 114 \approx 3.3k\Omega, \text{ and thus}$$

to make the output voltage at detection 0.1V or less under the above conditions, the pull-up resistance must be 3.3k $\Omega$  or higher.

(\*)1 The smaller  $V_{IN}$  is, the larger  $R_{ON}$  becomes.

(\*)2 When selecting  $V_{IN}$ , calculate using the lowest value of the input voltage range you will use.

(\*)3  $I_{RBOU1}$  specified in the electrical characteristics is the value at  $T_a = 25^\circ C$ .  $I_{RBOU1}$  varies depending on the ambient temperature.

To select the pull-up resistance taking ambient temperature into account, please consult us.

At release:  $V_{RESETB} = (V_{pull-Up}) / (1 + R_{pull} / R_{OFF})$

$V_{pull-Up}$ : Voltage after pull-up

$R_{OFF}$ : Resistance value 40M $\Omega$  (MIN.) when N-ch driver is OFF (calculated from  $V_{RESETB} / I_{LEAK}$  in electrical characteristics)

Calculation example:

If you wish to make  $V_{RESETB}$  5.99V or higher with  $V_{pull-Up} = 6.0V$

$$R_{pull} = (V_{pull-Up} / V_{RESETB} - 1) \times R_{OFF} = (6 / 5.99 - 1) \times 40 \times 10^6 \approx 66k\Omega, \text{ and thus}$$

to make the output voltage 5.99V or higher at release under the above conditions, the pull-up resistance must be 66k $\Omega$  or less.

Using the XC6127CxxF/CxxG/CxxH/CxxJ/CxxK, or XC6127NxxF/NxxG/NxxH/NxxJ/NxxK (output logic: Active High)

At detection :  $V_{RESET} = (V_{pull-Up}) / (1 + R_{pull} / R_{OFF})$

$V_{pull-Up}$ : Voltage after pull-up

$R_{OFF}$ : When the N-ch driver is OFF, the resistance is 40M $\Omega$  (MIN.) (calculated from  $V_{RESET} / I_{LEAK}$  in the electrical characteristics)

Calculation example:

If you wish to make  $V_{RESET}$  5.99V or higher with  $V_{pull-Up} = 6.0V$

$$R_{pull} = (V_{pull-Up} / V_{RESET} - 1) \times R_{OFF} = (6 / 5.99 - 1) \times 40 \times 10^6 \approx 66k\Omega \text{ and thus}$$

to make the output voltage 5.99V or higher at detection under the above conditions, the pull-up resistance must be 66k $\Omega$  or less.

At release :  $V_{RESET} = (V_{pull-Up}) / (1 + R_{pull} / R_{ON})$

$V_{pull-Up}$  : Voltage after pull-up

$R_{ON}^{(*)1}$  : ON resistance of N-ch driver (calculated from  $V_{RESET} / I_{ROUT1}$  in the electrical characteristics) <sup>(\*)3</sup>

Calculation example:

When  $V_{IN} = 2.0V^{(*)2}$ ,  $R_{ON} = 0.5 / 4.4 \times 10^{-3} \approx 114 \Omega$  (MAX.). If you wish to make the  $V_{RESET}$  voltage 0.1V or lower at detection with  $V_{pull-Up} = 3.0V$ ,

$$R_{pull} = (V_{pull-Up} / V_{RESET} - 1) \times R_{ON} = (3 / 0.1 - 1) \times 114 \approx 3.3k\Omega \text{ and thus}$$

to make the output voltage 0.1V or lower at release under the above conditions, the pull-up resistance must be 3.3k $\Omega$  or higher.

(\*)1 The smaller  $V_{IN}$  is the larger  $R_{ON}$  becomes.

(\*)2 When selecting  $V_{IN}$ , calculate using the lowest value of the input voltage range you will be using.

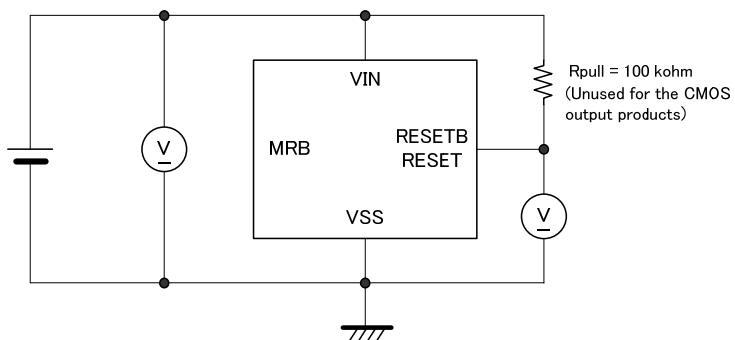
(\*)3  $I_{ROUT1}$  specified in the electrical characteristics is the value at  $T_a = 25^\circ C$ .  $I_{ROUT1}$  varies depending on the ambient temperature.

To select the pull-up resistance taking ambient temperature into account, please consult us.

5. We work hard to improve our products and increase reliability. Nevertheless, to allow for the unexpected, please employ a design such as a failsafe design that is sufficiently safe in terms of both devices and the system, and conduct aging or other testing.

## TEST CIRCUITS

Circuit 1



Circuit 2



Circuit 3



Circuit 4





## TEST CIRCUITS (Continued)

Circuit 5



Circuit 6



Circuit 7



## PACKAGING INFORMATION

Unit:mm

### ●USPN-4



### ●USPN-4 Reference Pattern Layout



### ●USPN-4 Reference Metal Mask Design



■ PACKAGING INFORMATION (Continued)

Unit:mm

● SSOT-24



● SOT-25



## MARKING RULE

### ●USPN-4



① represents product series and output configuration.

MARK	OUTPUT CONFIGURATION	PRODUCT SERIES
F	CMOS	XC6127C****-G
H	Nch	XC6127N****-G

② represents detect voltage.

MARK	OUTPUT VOLTAGE(V)		MARK	OUTPUT VOLTAGE(V)		MARK	OUTPUT VOLTAGE(V)	
A	1.5	1.6	K	2.9	3.0	T	4.3	4.4
B	1.7	1.8	L	3.1	3.2	U	4.5	4.6
C	1.9	2.0	M	3.3	3.4	V	4.7	4.8
D	2.1	2.2	N	3.5	3.6	X	4.9	5.0
E	2.3	2.4	P	3.7	3.8	Y	5.1	5.2
F	2.5	2.6	R	3.9	4.0	Z	5.3	5.4
H	2.7	2.8	S	4.1	4.2	0	5.5	-

③ represents detect voltage range and release delay time / detect logic.

MARK	DETECT VOLTAGE [V]	RELEASE DELAY TIME/ DETECT LOGIC	PRODUCT SERIES
A	Odd number	50ms/Low	XC6127*15A**-G ~ XC6127*55A**-G
B		100ms/Low	XC6127*15B**-G ~ XC6127*55B**-G
C		200ms/Low	XC6127*15C**-G ~ XC6127*55C**-G
D		400ms/Low	XC6127*15D**-G ~ XC6127*55D**-G
E		800ms/Low	XC6127*15E**-G ~ XC6127*55E**-G
F		50ms/High	XC6127*15F**-G ~ XC6127*55F**-G
H		100ms/High	XC6127*15G**-G ~ XC6127*55G**-G
K		200ms/High	XC6127*15H**-G ~ XC6127*55H**-G
L		400ms/High	XC6127*15J**-G ~ XC6127*55J**-G
M		800ms/High	XC6127*15K**-G ~ XC6127*55K**-G
N	Even number	50ms/Low	XC6127*16A**-G ~ XC6127*54A**-G
P		100ms/Low	XC6127*16B**-G ~ XC6127*54B**-G
R		200ms/Low	XC6127*16C**-G ~ XC6127*54C**-G
S		400ms/Low	XC6127*16D**-G ~ XC6127*54D**-G
T		800ms/Low	XC6127*16E**-G ~ XC6127*54E**-G
U		50ms/High	XC6127*16F**-G ~ XC6127*54F**-G
V		100ms/High	XC6127*16G**-G ~ XC6127*54G**-G
X		200ms/High	XC6127*16H**-G ~ XC6127*54H**-G
Y		400ms/High	XC6127*16J**-G ~ XC6127*54J**-G
Z		800ms/High	XC6127*16K**-G ~ XC6127*54K**-G

④ represents production lot number

0 to 9, A to Z, and inverted 0 to 9, A to Z repeated. (G, I, J, O, Q, W excepted.)

\* No character inversion used.

## ■ MARKING RULE (Continued)

### ● SSOT-24

SSOT-24

(With the orientation bar at the top)



SSOT-24

(With the orientation bar at the bottom)



①-1 represents product series and detect voltage range, output configuration.

MARK	OUTPUT CONFIGURATION	DETECT VOLTAGE [V]	RELEASE DELAY TIME/ DETECT LOGIC	PRODUCT SERIES
5	CMOS	Odd number	50ms/Low	XC6127C15A**-G ~ XC6127C55A**-G
6			100ms/Low	XC6127C15B**-G ~ XC6127C55B**-G
7			200ms/Low	XC6127C15C**-G ~ XC6127C55C**-G
8			400ms/Low	XC6127C15D**-G ~ XC6127C55D**-G
9			800ms/Low	XC6127C15E**-G ~ XC6127C55E**-G
A			50ms/High	XC6127C15F**-G ~ XC6127C55F**-G
B			100ms/High	XC6127C15G**-G ~ XC6127C55G**-G
C			200ms/High	XC6127C15H**-G ~ XC6127C55H**-G
D			400ms/High	XC6127C15J**-G ~ XC6127C55J**-G
E			800ms/High	XC6127C15K**-G ~ XC6127C55K**-G
F		Even number	50ms/Low	XC6127C16A**-G ~ XC6127C54A**-G
H			100ms/Low	XC6127C16B**-G ~ XC6127C54B**-G
K			200ms/Low	XC6127C16C**-G ~ XC6127C54C**-G
N			400ms/Low	XC6127C16D**-G ~ XC6127C54D**-G
P			800ms/Low	XC6127C16E**-G ~ XC6127C54E**-G
R			50ms/High	XC6127C16F**-G ~ XC6127C54F**-G
S			100ms/High	XC6127C16G**-G ~ XC6127C54G**-G
T			200ms/High	XC6127C16H**-G ~ XC6127C54H**-G
U			400ms/High	XC6127C16J**-G ~ XC6127C54J**-G
V			800ms/High	XC6127C16K**-G ~ XC6127C54K**-G

\* The products of CMOS output configuration are shipped in the package having the orientation bar marked in the top.

## MARKING RULE (Continued)

①-2 represents product series and detect voltage range, output configuration.

MARK	OUTPUT CONFIGURATION	DETECT VOLTAGE [V]	RELEASE DELAY TIME/ DETECT LOGIC	PRODUCT SERIES
0	Nch	Odd number	50ms/Low	XC6127N15A**-G ~ XC6127N55A**-G
1			100ms/Low	XC6127N15B**-G ~ XC6127N55B**-G
2			200ms/Low	XC6127N15C**-G ~ XC6127N55C**-G
3			400ms/Low	XC6127N15D**-G ~ XC6127N55D**-G
4			800ms/Low	XC6127N15E**-G ~ XC6127N55E**-G
5			50ms/High	XC6127N15F**-G ~ XC6127N55F**-G
6			100ms/High	XC6127N15G**-G ~ XC6127N55G**-G
7			200ms/High	XC6127N15H**-G ~ XC6127N55H**-G
8			400ms/High	XC6127N15J**-G ~ XC6127N55J**-G
9			800ms/High	XC6127N15K**-G ~ XC6127N55K**-G
A		Even number	50ms/Low	XC6127N16A**-G ~ XC6127N54A**-G
B			100ms/Low	XC6127N16B**-G ~ XC6127N54B**-G
C			200ms/Low	XC6127N16C**-G ~ XC6127N54C**-G
D			400ms/Low	XC6127N16D**-G ~ XC6127N54D**-G
E			800ms/Low	XC6127N16E**-G ~ XC6127N54E**-G
F			50ms/High	XC6127N16F**-G ~ XC6127N54F**-G
H			100ms/High	XC6127N16G**-G ~ XC6127N54G**-G
K			200ms/High	XC6127N16H**-G ~ XC6127N54H**-G
L			400ms/High	XC6127N16J**-G ~ XC6127N54J**-G
M			800ms/High	XC6127N16K**-G ~ XC6127N54K**-G

\* The products of Nch output configuration are shipped in the package having the orientation bar marked in the bottom.

② represents detect voltage.

MARK	OUTPUT VOLTAGE(V)		MARK	OUTPUT VOLTAGE(V)		MARK	OUTPUT VOLTAGE(V)	
A	1.5	1.6	K	2.9	3.0	T	4.3	4.4
B	1.7	1.8	L	3.1	3.2	U	4.5	4.6
C	1.9	2.0	M	3.3	3.4	V	4.7	4.8
D	2.1	2.2	N	3.5	3.6	X	4.9	5.0
E	2.3	2.4	P	3.7	3.8	Y	5.1	5.2
F	2.5	2.6	R	3.9	4.0	Z	5.3	5.4
H	2.7	2.8	S	4.1	4.2	0	5.5	-

③④ represents production lot number. 01~09, 0A~0Z, 11~9Z, A1~A9, AA~AZ, B1~ZZ repeated.

(G, I, J, O, Q, W excluded.)

\* No character inversion used.

## MARKING RULE (Continued)

### ● SOT-25



① represents product series and output configuration.

MARK	OUTPUT CONFIGURATION	PRODUCT SERIES
5	CMOS	XC6127C****-G
6	Nch	XC6127N****-G

\* SOT-25 with the under-dot marking is used.

② represents detect voltage.

MARK	OUTPUT VOLTAGE(V)		MARK	OUTPUT VOLTAGE(V)		MARK	OUTPUT VOLTAGE(V)	
A	1.5	1.6	K	2.9	3.0	T	4.3	4.4
B	1.7	1.8	L	3.1	3.2	U	4.5	4.6
C	1.9	2.0	M	3.3	3.4	V	4.7	4.8
D	2.1	2.2	N	3.5	3.6	X	4.9	5.0
E	2.3	2.4	P	3.7	3.8	Y	5.1	5.2
F	2.5	2.6	R	3.9	4.0	Z	5.3	5.4
H	2.7	2.8	S	4.1	4.2	0	5.5	-

③ represents detect voltage range and release delay time / detect logic.

MARK	DETECT VOLTAGE [V]	RELEASE DELAY TIME/ DETECT LOGIC	PRODUCT SERIES	
A	Odd number	50ms/Low	XC6127*15A**-G ~ XC6127*55A**-G	
B		100ms/Low	XC6127*15B**-G ~ XC6127*55B**-G	
C		200ms/Low	XC6127*15C**-G ~ XC6127*55C**-G	
D		400ms/Low	XC6127*15D**-G ~ XC6127*55D**-G	
E		800ms/Low	XC6127*15E**-G ~ XC6127*55E**-G	
F		50ms/High	XC6127*15F**-G ~ XC6127*55F**-G	
H		100ms/High	XC6127*15G**-G ~ XC6127*55G**-G	
K		200ms/High	XC6127*15H**-G ~ XC6127*55H**-G	
L		400ms/High	XC6127*15J**-G ~ XC6127*55J**-G	
M		800ms/High	XC6127*15K**-G ~ XC6127*55K**-G	
N		Even number	50ms/Low	XC6127*16A**-G ~ XC6127*54A**-G
P			100ms/Low	XC6127*16B**-G ~ XC6127*54B**-G
R	200ms/Low		XC6127*16C**-G ~ XC6127*54C**-G	
S	400ms/Low		XC6127*16D**-G ~ XC6127*54D**-G	
T	800ms/Low		XC6127*16E**-G ~ XC6127*54E**-G	
U	50ms/High		XC6127*16F**-G ~ XC6127*54F**-G	
V	100ms/High		XC6127*16G**-G ~ XC6127*54G**-G	
X	200ms/High		XC6127*16H**-G ~ XC6127*54H**-G	
Y	400ms/High		XC6127*16J**-G ~ XC6127*54J**-G	
Z	800ms/High		XC6127*16K**-G ~ XC6127*54K**-G	

③④ represents production lot number. 01~09, 0A~0Z, 11~9Z, A1~A9, AA~AZ, B1~ZZ repeated.

(G, I, J, O, Q, W excluded.)

\* No character inversion used.

1. The products and product specifications contained herein are subject to change without notice to improve performance characteristics. Consult us, or our representatives before use, to confirm that the information in this datasheet is up to date.
2. We assume no responsibility for any infringement of patents, patent rights, or other rights arising from the use of any information and circuitry in this datasheet.
3. Please ensure suitable shipping controls (including fail-safe designs and aging protection) are in force for equipment employing products listed in this datasheet.
4. The products in this datasheet are not developed, designed, or approved for use with such equipment whose failure or malfunction can be reasonably expected to directly endanger the life of, or cause significant injury to, the user.  
(e.g. Atomic energy; aerospace; transport; combustion and associated safety equipment thereof.)
5. Please use the products listed in this datasheet within the specified ranges.  
Should you wish to use the products under conditions exceeding the specifications, please consult us or our representatives.
6. We assume no responsibility for damage or loss due to abnormal use.
7. All rights reserved. No part of this datasheet may be copied or reproduced without the prior permission of TOREX SEMICONDUCTOR LTD.

**TOREX SEMICONDUCTOR LTD.**





Компания «ЭлектроПласт» предлагает заключение долгосрочных отношений при поставках импортных электронных компонентов на взаимовыгодных условиях!

Наши преимущества:

- Оперативные поставки широкого спектра электронных компонентов отечественного и импортного производства напрямую от производителей и с крупнейших мировых складов;
- Поставка более 17-ти миллионов наименований электронных компонентов;
- Поставка сложных, дефицитных, либо снятых с производства позиций;
- Оперативные сроки поставки под заказ (от 5 рабочих дней);
- Экспресс доставка в любую точку России;
- Техническая поддержка проекта, помощь в подборе аналогов, поставка прототипов;
- Система менеджмента качества сертифицирована по Международному стандарту ISO 9001;
- Лицензия ФСБ на осуществление работ с использованием сведений, составляющих государственную тайну;
- Поставка специализированных компонентов (Xilinx, Altera, Analog Devices, Intersil, Interpoint, Microsemi, Aeroflex, Peregrine, Syfer, Eurofarad, Texas Instrument, Miteq, Cobham, E2V, MA-COM, Hittite, Mini-Circuits, General Dynamics и др.);

Помимо этого, одним из направлений компании «ЭлектроПласт» является направление «Источники питания». Мы предлагаем Вам помощь Конструкторского отдела:

- Подбор оптимального решения, техническое обоснование при выборе компонента;
- Подбор аналогов;
- Консультации по применению компонента;
- Поставка образцов и прототипов;
- Техническая поддержка проекта;
- Защита от снятия компонента с производства.



#### Как с нами связаться

**Телефон:** 8 (812) 309 58 32 (многоканальный)

**Факс:** 8 (812) 320-02-42

**Электронная почта:** [org@eplast1.ru](mailto:org@eplast1.ru)

**Адрес:** 198099, г. Санкт-Петербург, ул. Калинина, дом 2, корпус 4, литера А.