

Low-Power 2.25V to 3.63V DC to 150MHz 1:6 Fanout Buffer IC

FEATURES

- 1:6 LVCMOS output fanout buffer for DC to 150MHz
- 8mA Output Drive Strength
- Low power consumption for portable applications
- Low input-output delay
- Output-Output skew less than 250ps
- Low Additive Phase Jitter of 60fs RMS
- 2.5V to 3.3V, $\pm 10\%$ operation
- Operating temperature range from -40°C to 85°C
- Available in 16-Pin SOP GREEN/RoHS package

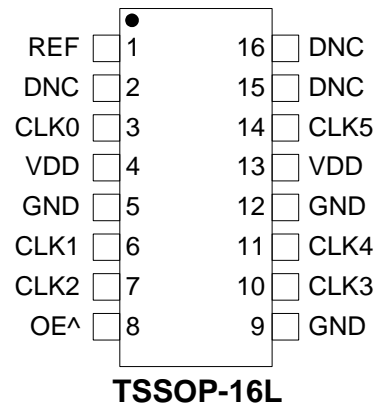
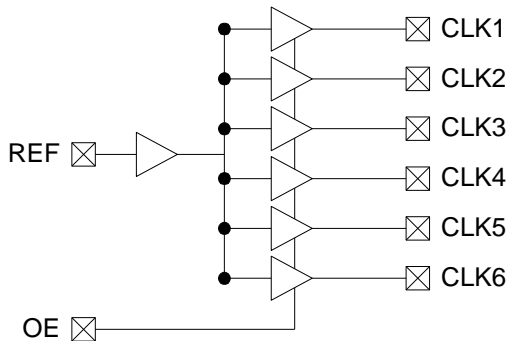
DESCRIPTION

The PL133-67 is an advanced fanout buffer design for high performance, low-power, small form factor applications. The PL133-67 accepts a reference clock input from DC to 150MHz and provides 6 outputs of the same frequency.

The PL133-67 is offered in a TSSOP-16L package and it offers the best phase noise, additive jitter performance, and lowest power consumption of any comparable IC.

The PL133-67 outputs can be disabled to a high impedance (tri-state) by pulling low the OE pin. When the OE pin is high, the outputs are enabled and follow the REF input signal. When the OE pin is left open, a pull-up resistor on the chip will default the OE pin to logic 1 so the outputs are enabled.

BLOCK DIAGRAM AND PACKAGE PINOUT



Low-Power 2.25V to 3.63V DC to 150MHz 1:6 Fanout Buffer IC
PIN DESCRIPTIONS

Name	TSSOP-16L	Type	Description
REF	1	I	Input reference frequency.
CLK0	3	O	Buffered clock output
CLK1	6	O	Buffered clock output
CLK2	7	O	Buffered clock output
CLK3	10	O	Buffered clock output
CLK4	11	O	Buffered clock output
CLK5	14	O	Buffered clock output
VDD	4, 13	P	VDD connection
GND	5, 9, 12	P	GND connection
OE	8	I	Output Enable Control Input with 130KΩ Pull-Up
DNC	2, 8, 15, 16	-	Do Not Connect

LAYOUT RECOMMENDATIONS

The following guidelines are to assist you with a performance optimized PCB design:

Signal Integrity and Termination Considerations

- Keep traces short!
- Trace = Inductor. With a capacitive load this equals ringing!
- Long trace = Transmission Line. Without proper termination this will cause reflections (looks like ringing).
- Design long traces (> 1 inch) as "striplines" or "microstrips" with defined impedance.
- Match trace at one side to avoid reflections bouncing back and forth.

Decoupling and Power Supply Considerations

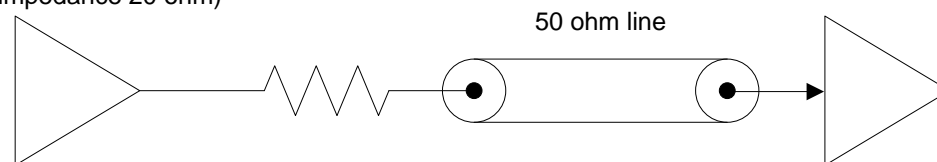
- Place decoupling capacitors as close as possible to the VDD pin(s) to limit noise from the power supply
- Addition of a ferrite bead in series with VDD can help prevent noise from other board sources
- Value of decoupling capacitor is frequency dependant. Typical values to use are 0.1μF for designs using frequencies < 50MHz and 0.01μF for designs using frequencies > 50MHz.

Typical CMOS termination

Place Series Resistor as close as possible to CMOS output

CMOS Output Buffer
(Typical buffer impedance 20 ohm)

To CMOS Input



Connect a 33 ohm series resistor at each of the output clocks to enhance the stability of the output signal

Low-Power 2.25V to 3.63V DC to 150MHz 1:6 Fanout Buffer IC
ABSOLUTE MAXIMUM CONDITIONS

Supply Voltage to Ground Potential -0.5V to 4.6V
 DC Input Voltage $V_{SS} - 0.5V$ to 4.6V
 Storage Temperature -65°C to 150°C

Junction Temperature..... 150°C
 Static Discharge Voltage
 (per MIL-STD-883, Method 3015)..... > 2000V

OPERATING CONDITIONS

Parameter	Description	Min.	Max.	Unit
V_{DD}	Supply Voltage	2.25	3.63	V
T_A	Commercial Operating Temperature (ambient temperature)	0	70	°C
	Industrial Operating Temperature (ambient temperature)	-40	85	°C
C_L	Load Capacitance, below 100 MHz	—	30	pF
	Load Capacitance between 100 MHz and 134 MHz	—	10	pF
	Load Capacitance, above 134 MHz	—	5	pF
C_{IN}	Input Capacitance	—	7	pF
REF, CLK[1:6]	Operating Frequency, Input=Output	DC	150	MHz
t_{PU}	Power-up time for all V_{DD} s to reach minimum specified voltage (power ramps must be monotonic)	0.05	50	ms

ELECTRICAL CHARACTERISTICS (Commercial and Industrial Temperature Devices)

Parameter	Description	Test Conditions	Min.	Max.	Unit
V_{IL}	Input LOW Voltage ^[1]		—	0.8	V
V_{IH}	Input HIGH Voltage ^[1]		2.0	—	V
I_{IL}	Input LOW Current	$V_{IN} = 0V$	—	50	μA
I_{IH}	Input HIGH Current	$V_{IN} = V_{DD}$	—	100	μA
V_{OL}	Output LOW Voltage ^[2]	$I_{OL} = 8\text{ mA}$	—	0.4	V
V_{OH}	Output HIGH Voltage ^[2]	$I_{OH} = -8\text{ mA}$	2.4	—	V
I_{DD}	Supply Current	66.67MHz with unloaded outputs	—	32	mA
R_{PU}	OE Pin Pull-Up Resistance		100	—	KΩ

Low-Power 2.25V to 3.63V DC to 150MHz 1:6 Fanout Buffer IC

SWITCHING CHARACTERISTICS (Commercial and Industrial Temperature Devices) ^[3]

Parameter	Description	Test Conditions	Min.	Typ.	Max.	Unit
	Duty Cycle ^[2] = $t_2 \div t_1$	Measured at 1.4V, Input is 50%	40	50	60	%
t_3	Rise Time ^[2]	Measured between 0.8V and 2.0V	–	–	1.5	ns
t_4	Fall Time ^[2]	Measured between 0.8V and 2.0V	–	–	1.5	ns
t_5	Output to Output Skew ^[2]	All outputs equally loaded	–	–	250	ps
t_6	Propagation Delay, REF Rising Edge to CLKX Rising Edge ^[2]	Measured at $V_{DD}/2$	1	5	9.2	ns

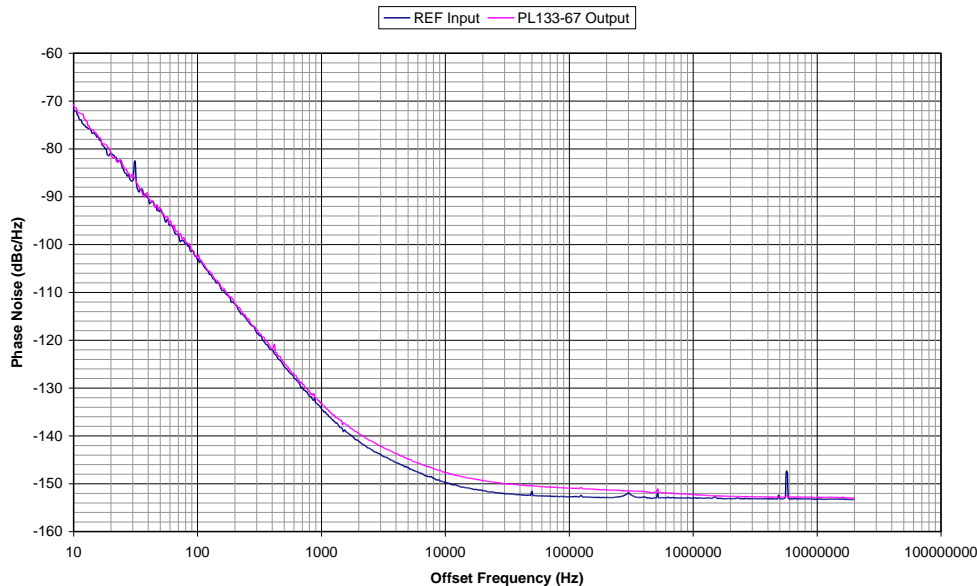
Notes:

1. REF input has a threshold voltage of $V_{DD}/2$
2. Parameter is guaranteed by design and characterization. Not 100% tested in production.
3. All parameters are specified with loaded outputs.

NOISE CHARACTERISTICS (Commercial and Industrial Temperature Devices)

Parameter	Description	Test Conditions	Min.	Typ.	Max.	Unit
	Additive Phase Jitter	$V_{DD}=3.3V$, Frequency=100MHz Offset=12KHz ~ 20MHz		60		fs

PL133-67 Additive Phase Jitter:
 $V_{DD}=3.3V$, CLK=100MHz, Integration Range 12KHz to 20MHz: 0.059ps typical.



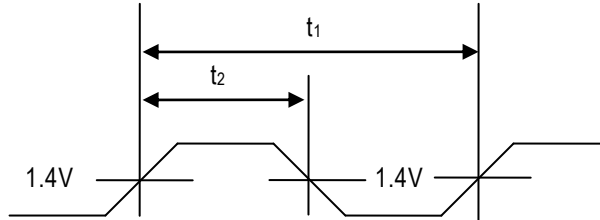
When a buffer is used to pass a signal then the buffer will add a little bit of its own noise. The phase noise on the output of the buffer will be a little bit more than the phase noise in the input signal. To quantify the noise addition in the buffer we compare the Phase Jitter numbers from the input and the output. The difference is called "Additive Phase Jitter". The formula for the Additive Phase Jitter is as follows:

$$\text{Additive Phase Jitter} = \sqrt{(\text{Output Phase Jitter})^2 - (\text{Input Phase Jitter})^2}$$

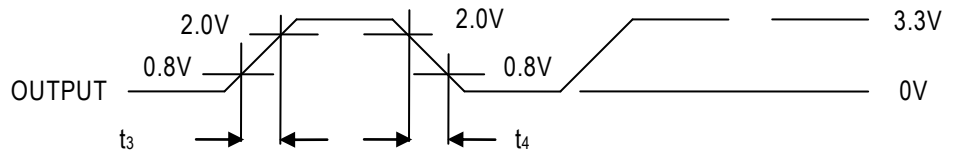
Low-Power 2.25V to 3.63V DC to 150MHz 1:6 Fanout Buffer IC

SWITCHING WAVEFORMS

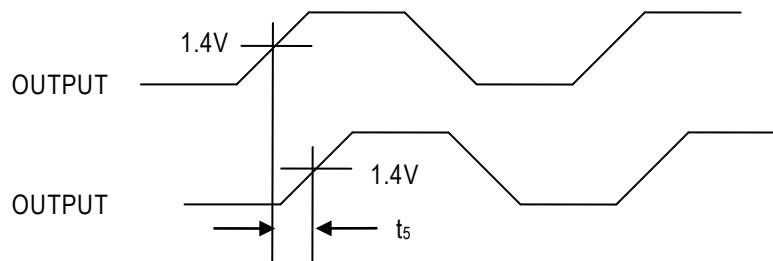
Duty Cycle Timing



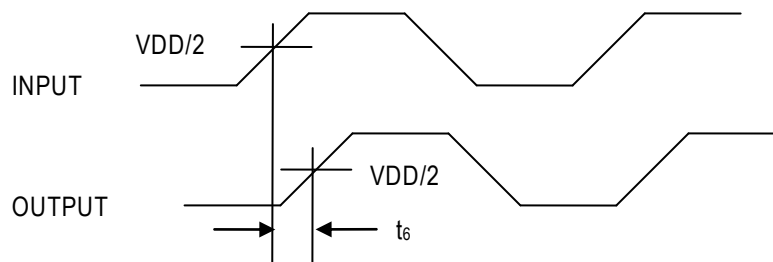
All Outputs Rise/Fall Time



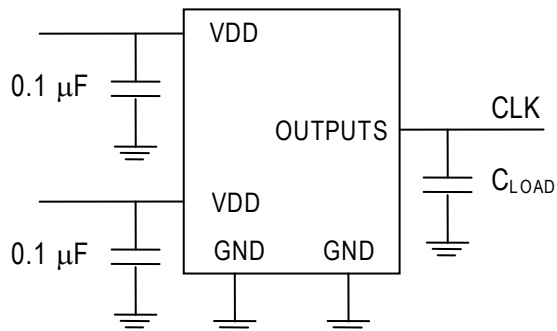
Output-Output Skew



Input-Output Propagation Delay

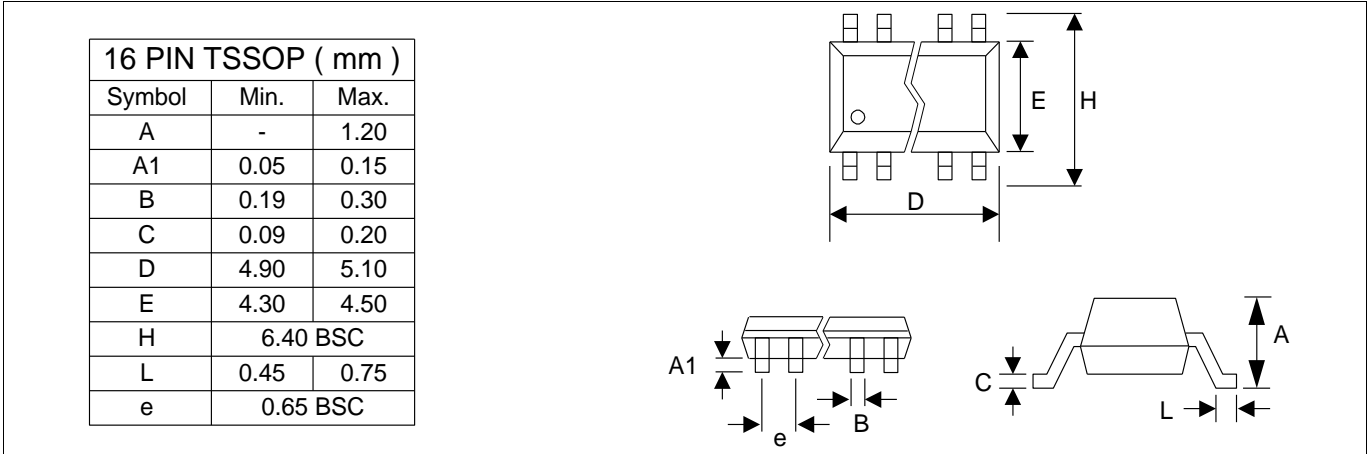


TEST CIRCUIT



Low-Power 2.25V to 3.63V DC to 150MHz 1:6 Fanout Buffer IC

PACKAGE DRAWING (GREEN PACKAGE COMPLIANT)



ORDERING INFORMATION

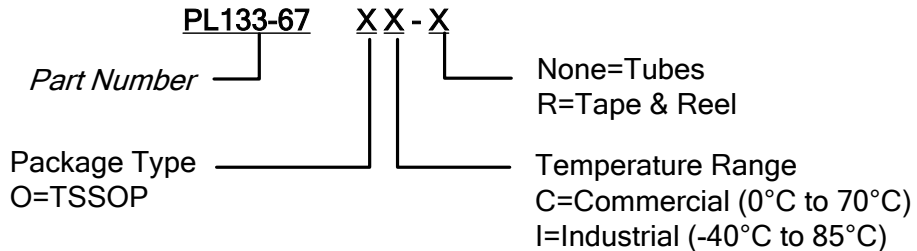
For part ordering, please contact our Sales Department:

2180 Fortune Drive, San Jose, CA 95131, USA

Tel: (408) 944-0800 Fax: (408) 474-1000

PART NUMBER

The order number for this device is a combination of the following:
Part number, Package type and Operating temperature range



Part/Order Number	Marking	Package Option
Green (Lead-Free) Package		
PL133-67OC	P133-67 OC	16-Pin TSSOP Tube
PL133-67OC-R	LLLLL	16-Pin TSSOP (Tape and Reel)
PL133-67OI	P133-67 OI	16-Pin TSSOP Tube
PL133-67OI-R	LLLLL	16-Pin TSSOP (Tape and Reel)

*Note: LLLLL designates lot number

Micrel Inc., reserves the right to make changes in its products or specifications, or both at any time without notice. The information furnished by Micrel is believed to be accurate and reliable. However, Micrel makes no guarantee or warranty concerning the accuracy of said information and shall not be responsible for any loss or damage of whatever nature resulting from the use of, or reliance upon this product.

LIFE SUPPORT POLICY: Micrel's products are not authorized for use as critical components in life support devices or systems without the express written approval of the President of Micrel Inc.



Компания «ЭлектроПласт» предлагает заключение долгосрочных отношений при поставках импортных электронных компонентов на взаимовыгодных условиях!

Наши преимущества:

- Оперативные поставки широкого спектра электронных компонентов отечественного и импортного производства напрямую от производителей и с крупнейших мировых складов;
- Поставка более 17-ти миллионов наименований электронных компонентов;
- Поставка сложных, дефицитных, либо снятых с производства позиций;
- Оперативные сроки поставки под заказ (от 5 рабочих дней);
- Экспресс доставка в любую точку России;
- Техническая поддержка проекта, помощь в подборе аналогов, поставка прототипов;
- Система менеджмента качества сертифицирована по Международному стандарту ISO 9001;
- Лицензия ФСБ на осуществление работ с использованием сведений, составляющих государственную тайну;
- Поставка специализированных компонентов (Xilinx, Altera, Analog Devices, Intersil, Interpoint, Microsemi, Aeroflex, Peregrine, Syfer, Eurofarad, Texas Instrument, Miteq, Cobham, E2V, MA-COM, Hittite, Mini-Circuits, General Dynamics и др.);

Помимо этого, одним из направлений компании «ЭлектроПласт» является направление «Источники питания». Мы предлагаем Вам помощь Конструкторского отдела:

- Подбор оптимального решения, техническое обоснование при выборе компонента;
- Подбор аналогов;
- Консультации по применению компонента;
- Поставка образцов и прототипов;
- Техническая поддержка проекта;
- Защита от снятия компонента с производства.



Как с нами связаться

Телефон: 8 (812) 309 58 32 (многоканальный)

Факс: 8 (812) 320-02-42

Электронная почта: org@eplast1.ru

Адрес: 198099, г. Санкт-Петербург, ул. Калинина, дом 2, корпус 4, литера А.