

Advanced Doherty Alignment Module (ADAM)

The MMDS25254H is an integrated module designed for use in base station transmitters in conjunction with high power Doherty amplifiers. The device is designed to enable accurate alignment of phase and amplitude on the carrier and peaking amplifiers to ensure performance consistency, in particular for asymmetric implementations. The MMDS25254H enables superior linearity-efficiency trade-off while improving output power. It contains a 90° coupler, digitally selectable phase shifters and step attenuators, and operates from a single voltage supply. The MMDS25254H is suitable for transmit protocols such as W-CDMA, UMTS and LTE using frequencies from 2300 to 2700 MHz, and is controlled using a serial peripheral interface (SPI).

Features

- Frequency: 2300-2700 MHz
- Maximum RF Input Power: 25 dBm (CW)
- Low Loss Power Splitter
- 0.5 dB Step Programmable Attenuators with 7.5 dB Maximum Range
- 7° per Bit Phase Shifters with 49° Maximum Range
- Power up into a Selectable State
- Single 5 Volt Supply
- Supply Current: 12 mA
- 50 Ohm Operation (no external matching required)
- TTL/CMOS/SPI Interface (1.8 V, 3.3 V Logic)
- Cost-effective 32-pin, 6 mm QFN Surface Mount Plastic Package
- In Tape and Reel. T1 Suffix = 1,000 Units, 16 mm Tape Width, 7-inch Reel.

MMDS25254HT1

**2300-2700 MHz
 ADAM – ADVANCED DOHERTY
 ALIGNMENT MODULE**

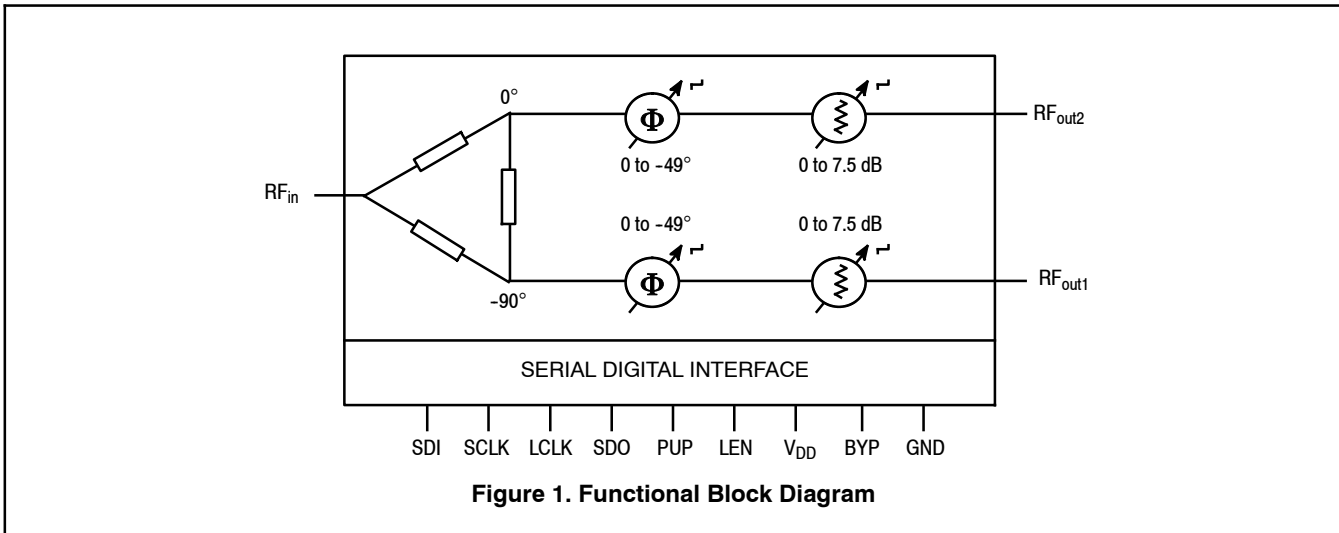


Figure 1. Functional Block Diagram

Table 1. Maximum Ratings

Rating	Symbol	Value	Unit
Supply Voltage	V_{DD}	6	V
Logic Inputs (SCLK, LCLK, LEN, PUP, SDI)	V_{in}	-0.5 to +3.63	V
RF Input Power (CW)	P_{in}	25	dBm
Storage Temperature Range	T_{stg}	-65 to +150	°C
Junction Temperature	T_J	150	°C

Table 2. Recommended Operating Conditions

Characteristic	Symbol	Min	Max	Unit
Supply Voltage	V_{DD}	4.5	5.5	V
DC Input Voltage (SCLK, LCLK, LEN, SDI)	V_{in}	0	3.3	V

Table 3. Electrical Characteristics ($V_{DD} = 5$ Vdc, 2650 MHz, $T_A = 25^\circ\text{C}$, 50 ohm system, in Freescale Application Circuit)

Characteristic	Symbol	Min	Typ	Max	Unit
Insertion Loss (Includes 3 dB power division and 2.5 dB loss)	I_L	—	5.5	—	dB
Max Transition Time (rising edge of LCLK to RF _{out})	$t_{transition}$	—	350	—	ns
Power Input @ 1dB Compression	P1dB	—	35	—	dBm
Supply Current	I_{DD}	10	11	12	mA
Isolation (S32)	S32	—	25	—	dB
Input Return Loss (S11)	IRL	—	15	—	dB
Output Return Loss (S22, S33)	ORL	—	15	—	dB
Third Order Output Intercept Point	OIP3	—	45	—	dBm
Phase Step	$\Delta\Phi^{\text{r}}$	—	7	—	°/bit
Phase Control Range	$\Delta\Phi$	—	49	—	°
Attenuation Step	ΔR^{r}	—	0.5	—	dB
Attenuation Control Range	ΔR	—	7.5	—	dB
Max Input Voltage Logic Low	V_{IL}	—	—	0.4	V
Min Input Voltage Logic High	V_{IH}	1.6	—	—	V
SDO Output Voltage High	V_{OH}	1.8 ⁽¹⁾	—	$0.6 \times V_{DD}$	V
SDO Output Voltage Low	V_{OL}	0	—	0.4	V
Clock Frequency (50% Duty Cycle)	f_{SCLK}	—	—	26	MHz

1. Load = 20 pF @ maximum clock frequency.

Table 4. Thermal Characteristics

Characteristics	Symbol	Value ⁽²⁾	Unit
Thermal Resistance, Junction to Case Case Temperature 107°C, $P_{out} = 0.02$ W, Maximum Phase and Attenuation State, $P_{in} = 25$ dBm CW, 2650 MHz, $V_{DD} = 5$ Vdc, $I_{DD} = 11$ mA	$R_{\theta JC}$	16	°C/W

Table 5. ESD Protection Characteristics

Test Methodology	Class
Human Body Model (per JESD22-A114)	1C
Machine Model (per EIA/JESD22-A115)	A
Charge Device Model (per JESD22-C101)	III

Table 6. Moisture Sensitivity Level

Test Methodology	Rating	Package Peak Temperature	Unit
Per JESD22-A113, IPC/JEDEC J-STD-020	3	260	°C

2. Refer to AN1955, *Thermal Measurement Methodology of RF Power Amplifiers*. Go to <http://www.freescale.com/rf>. Select Documentation/Application Notes – AN1955.

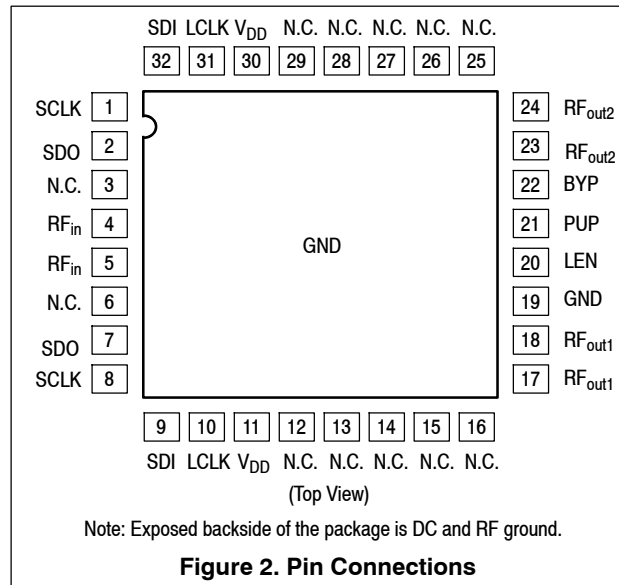


Table 7. Package Pin Description

Pin Number	Pin Function	Pin Description
1, 8 ⁽¹⁾	SCLK	Serial Data Clock
2 ⁽²⁾ , 7 ⁽¹⁾	SDO	Serial Data Output
3, 6, 12, 13, 14, 15, 16, 25, 26, 27, 28, 29	N.C.	No Connection
4, 5 ⁽³⁾	RF _{in}	RF Input (DC Block Needed)
9, 32 ⁽¹⁾	SDI	Serial Data Input
10, 31 ⁽¹⁾	LCLK	Latch Clock
11, 30 ⁽¹⁾	V _{DD}	Supply Voltage (attenuators, phase shifters, SPI)
17, 18 ⁽³⁾	RF _{out1}	RF Output 1 (peaking amplifier path)
19	GND	Ground
20 ⁽⁴⁾	LEN	Logic Enable (active low)
21 ⁽⁵⁾	PUP	Power-up Programming: <ul style="list-style-type: none"> • Minimum attenuation/minimum phase (0 dB/0°) • Maximum attenuation/maximum phase (7.5 dB/-49°)
22 ⁽⁶⁾	BYP	InternalCore Bypass Voltage (external 100 nF bypass capacitor)
23, 24 ⁽³⁾	RF _{out2}	RF Output 2 (carrier amplifier path)

- Redundant pins are internally connected. User can connect to either of the internally connected paired pins: 1 and 8, 2 and 7, 9 and 32, 10 and 31, and 11 and 30.
- The ADAM SPI interface can be connected to a common SPI bus, provided the SDO pin is not connected, and treated as a write-only device.
- Each RF pin pair should be tied together.
- Logic low enables normal SPI operation. Logic high disables SPI and places device at 0 dB attenuation and 0° phase shift.
- Logic low places device at 0 dB attenuation and 0° phase shift at power up. Logic high places device at 7.5 dB attenuation and -49° phase shift. Because PUP pin has internal pull up, logic high can be set by no connection to pin. Alternatively, it can be connected to BYP or a user-controlled V_{in}.
- Requires external capacitive decoupling to ground.

Table 8. Serial Interface Timing Parameters

Symbol	Parameter	Min	Typ	Max	Units
t_{SCLK}	Serial Clock Period	38.5	—	—	ns
t_{SCLKH}	Serial Clock Pulse Width High	10	—	—	ns
t_{SCLKL}	Serial Clock Pulse Width Low	10	—	—	ns
t_{SU}	Serial Data Input Setup Time to SCLK Rising Edge	—	—	5	ns
t_H	Serial Data Input Hold Time from SCLK Rising Edge	—	—	2	ns
t_{OH}	Serial Data Output Hold Time from SCLK Rising Edge	1.6	—	—	ns
$t_{OV} (10\text{ pF})$	Serial Data Output Propagation Delay from SCLK Rising Edge	—	5	9	ns
$t_{OV} (50\text{ pF})$	Serial Data Output Propagation Delay from SCLK Rising Edge	—	15	26	ns
$t_{OV} (150\text{ pF})$	Serial Data Output Propagation Delay from SCLK Rising Edge	—	35	65	ns
t_{SETTLE}	Serial Clock Rising Edge Setup Time to Latch Clock Rising Edge	—	—	27	ns
t_{LCLKH}	Latch Clock Pulse Width High	10	—	—	ns

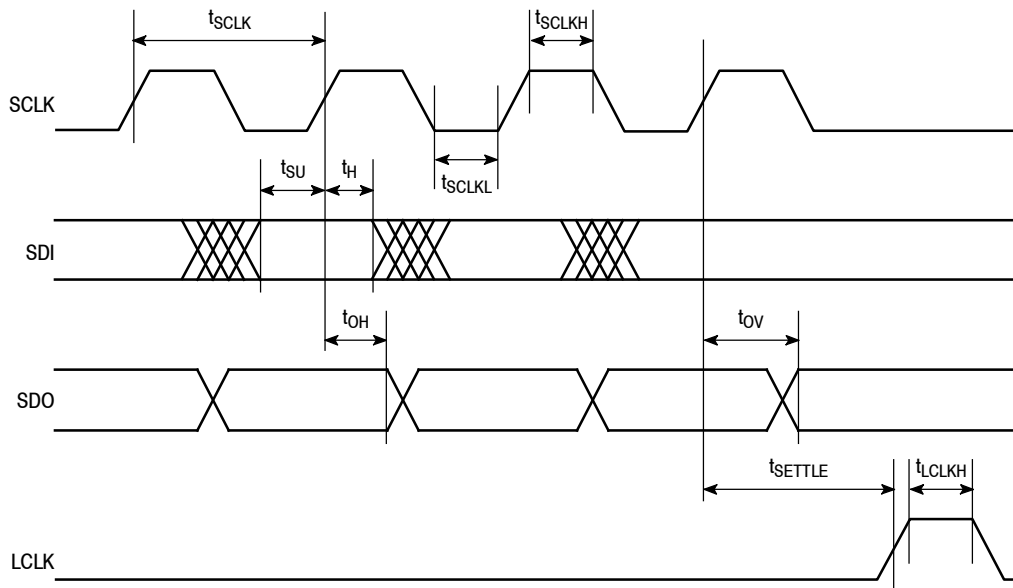
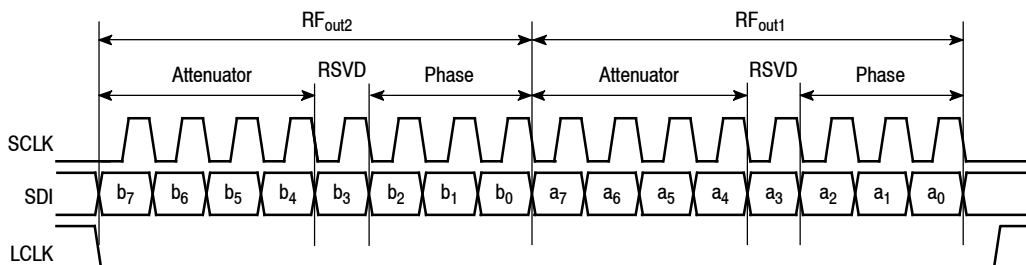


Figure 3. Serial Interface Timing Diagram



Note: Bits a3/b3 are reserved (RSVD) for future use. Always write these bits as zero (0).

Figure 4. Serial Interface Bits Diagram

Table 9. Logic Truth Table — RF_{in} to RF_{out1}

a7	a6	a5	a4	Attenuation (dB)
L	L	L	L	0
L	L	L	H	0.5
L	L	H	L	1.0
L	L	H	H	1.5
L	H	L	L	2.0
L	H	L	H	2.5
L	H	H	L	3.0
L	H	H	H	3.5
H	L	L	L	4.0
H	L	L	H	4.5
H	L	H	L	5.0
H	L	H	H	5.5
H	H	L	L	6.0
H	H	L	H	6.5
H	H	H	L	7.0
H	H	H	H	7.5

Table 10. Logic Truth Table — RF_{in} to RF_{out2}

b7	b6	b5	b4	Attenuation (dB)
L	L	L	L	0
L	L	L	H	0.5
L	L	H	L	1.0
L	L	H	H	1.5
L	H	L	L	2.0
L	H	L	H	2.5
L	H	H	L	3.0
L	H	H	H	3.5
H	L	L	L	4.0
H	L	L	H	4.5
H	L	H	L	5.0
H	L	H	H	5.5
H	H	L	L	6.0
H	H	L	H	6.5
H	H	H	L	7.0
H	H	H	H	7.5

Note: ADAM contains a 16-bit shift register, with the last bit connected to the SDO signal. The SDO pin is intended for daisy-chaining multiple ADAM devices rather than being used as an SPI bus connection; the SDO output is always actively driven, so it should not be directly connected to the SPI bus.

Table 11. Power-up Programming (PUP) State

LCLK	PUP	Function
X	0	Minimum Attenuation/Minimum Phase (0 dB/0°)
X	1	Maximum Attenuation/Maximum Phase (7.5 dB/-49°)
On 1st rising edge	X	Normal Operation on 1st Rising Edge LCLK and Subsequent Rising Edges

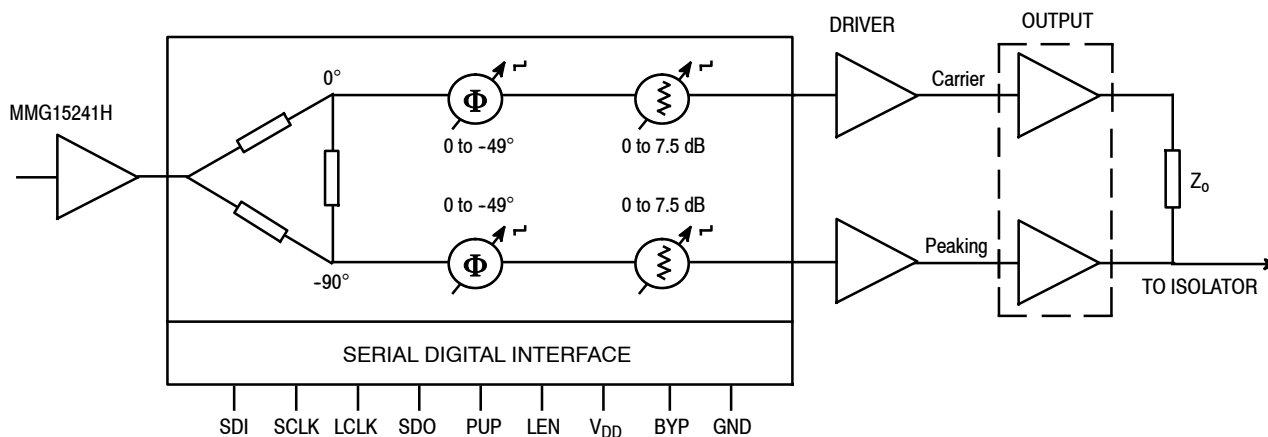


Figure 5. Typical Doherty Base Station Alignment Block Diagram

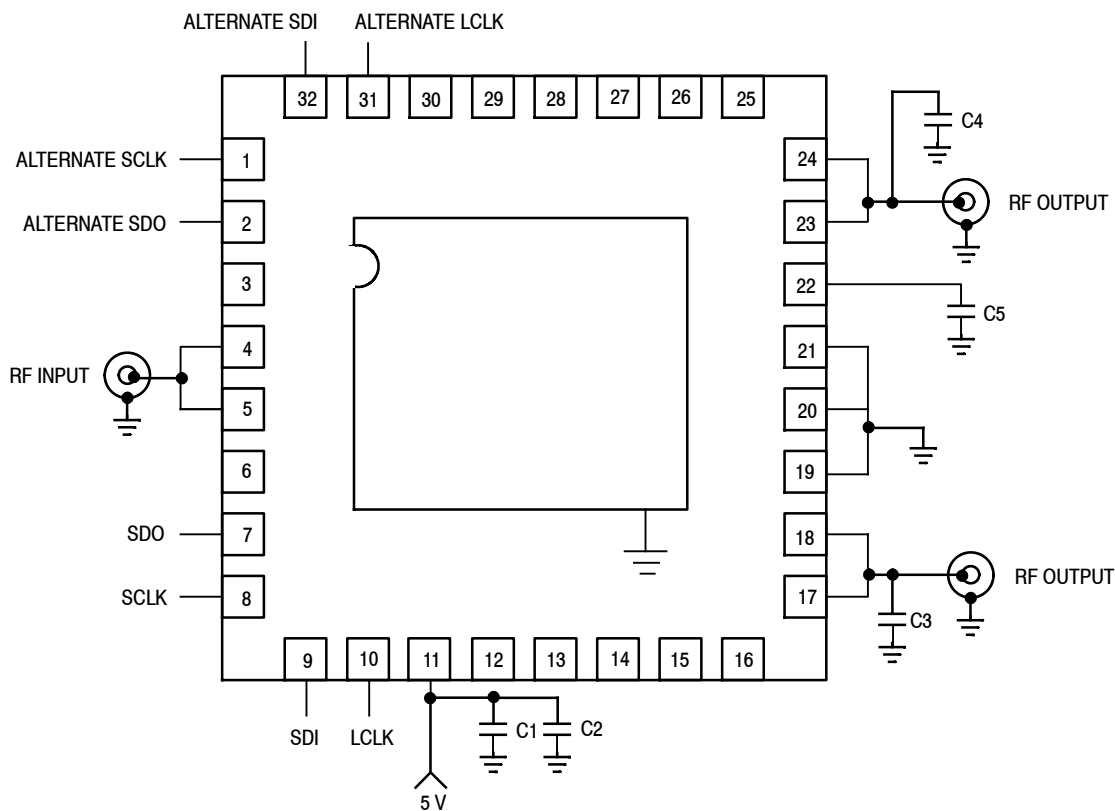


Figure 6. MMDS25254H Test Circuit Schematic

Table 12. MMDS25254H Test Circuit Component Designations and Values

Part	Description	Part Number	Manufacturer
C1	22 pF Chip Capacitor	GRM1885C1H220JA01J	Murata
C2	100 pF Chip Capacitor	GRM1885C1H101JA01J	Murata
C3, C4	0.4 pF Chip Capacitors	06035J0R4ABT	AVX
C5	0.1 μ F Chip Capacitor	GRM155R61A104KA01D	Murata
PCB	0.02", $\epsilon_r = 3.48$	RO4350	Rogers

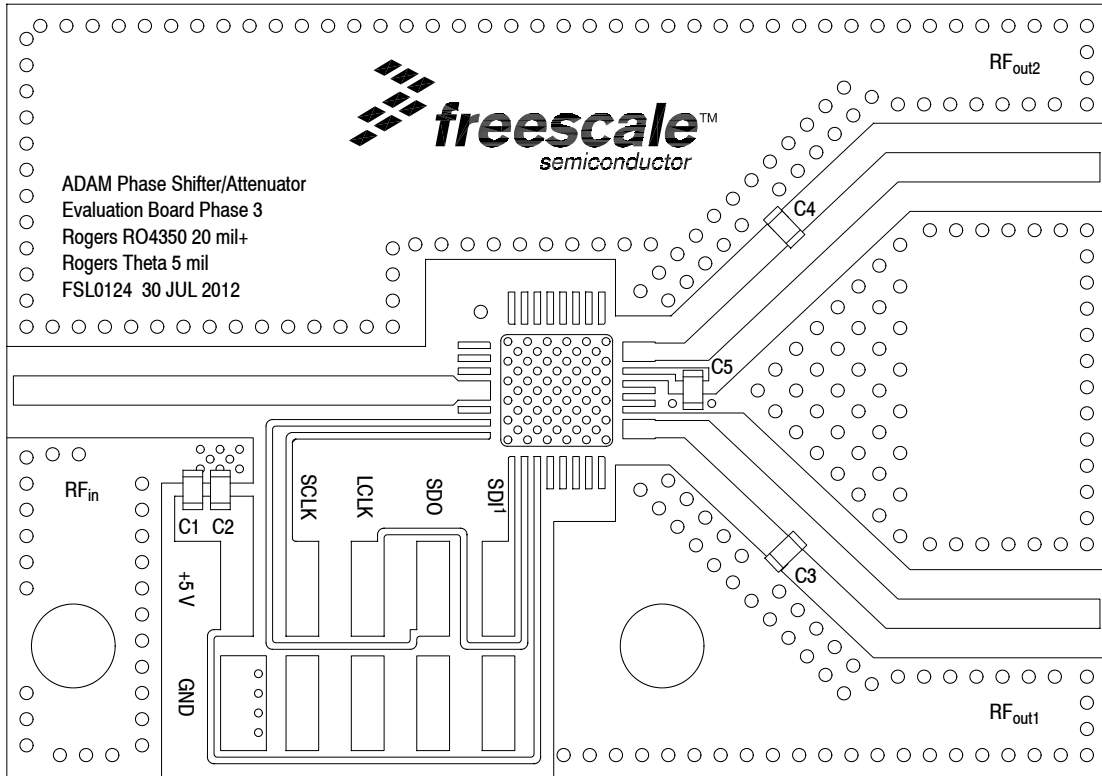
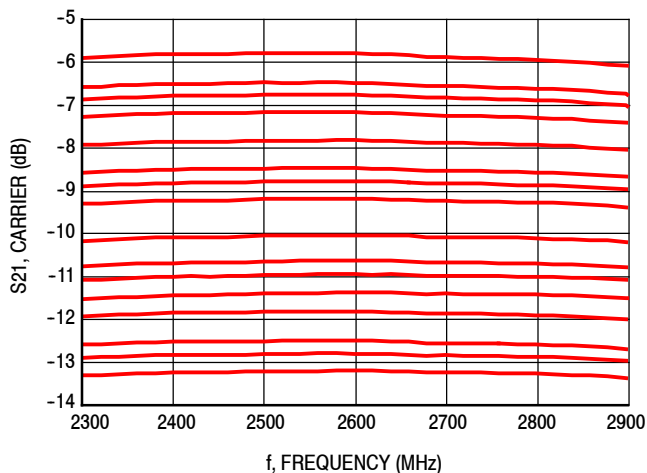


Figure 7. MMDS25254H Test Circuit Component Layout

Table 12. MMDS25254H Test Circuit Component Designations and Values

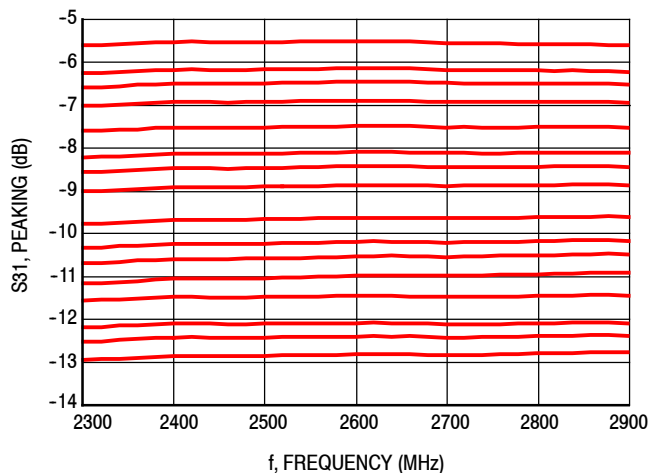
Part	Description	Part Number	Manufacturer
C1	22 pF Chip Capacitor	GRM1885C1H220JA01J	Murata
C2	100 pF Chip Capacitor	GRM1885C1H101JA01J	Murata
C3, C4	0.4 pF Chip Capacitors	06035J0R4ABT	AVX
C5	0.1 μ F Chip Capacitor	GRM155R61A104KA01D	Murata
PCB	0.02", $\epsilon_r = 3.48$	RO4350	Rogers

(Test Circuit Component Designations and Values repeated for reference.)



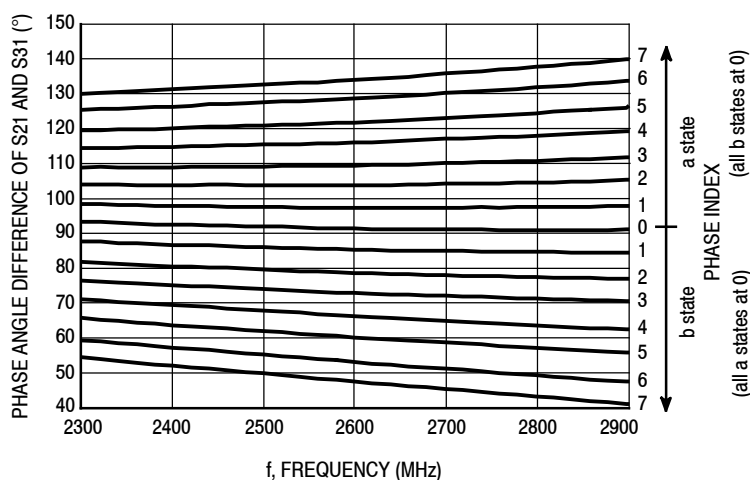
Note: S21 is a combination of static insertion loss and selected path attenuation.

Figure 8. S21 versus Attenuation State versus Frequency



Note: S31 is a combination of static insertion loss and selected path attenuation.

Figure 9. S31 versus Attenuation State versus Frequency



Note: The phase angle difference is a combination of insertion phase and selected phase adjustment.

Figure 10. Phase Angle Difference of S21 and S31 versus Phase State versus Frequency

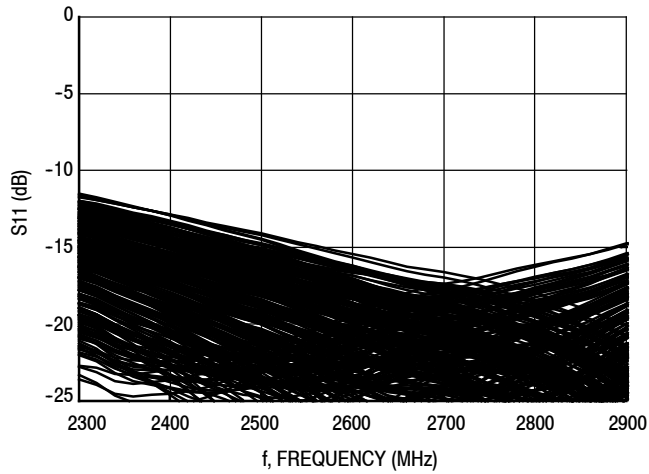


Figure 11. S11 versus Frequency

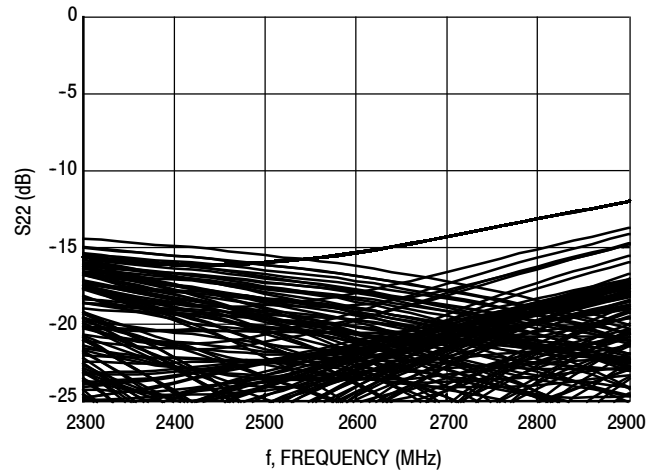


Figure 12. S22 versus Frequency

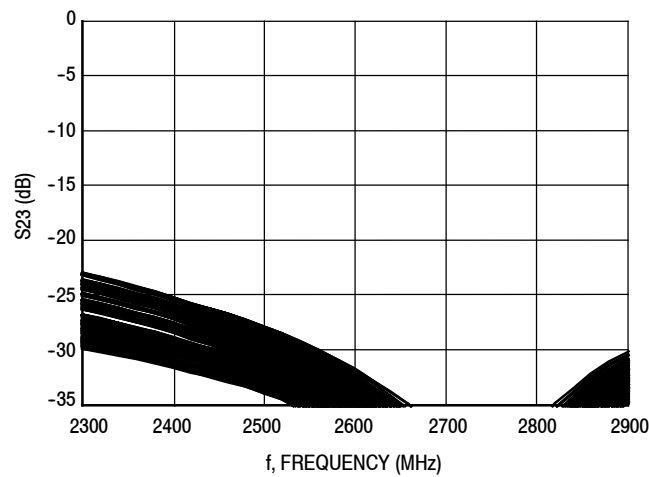


Figure 13. S23 versus Frequency

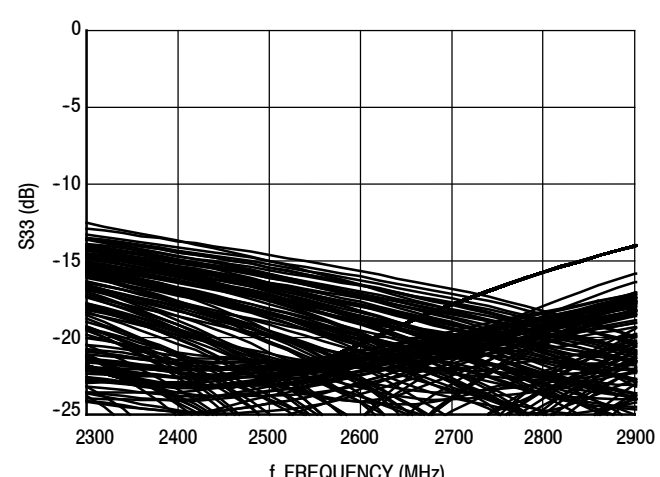


Figure 14. S33 versus Frequency

Note: A total of 256 states are plotted in Figures 11 to 14. Graph measurements include 128 states for the carrier side (combinations of all phase and amplitude states), with the peaking side set to 0 dB attenuation and 0° phase. Measurements also include 128 states for the peaking side (combinations of all phase and amplitude states) with the carrier side set to 0 dB attenuation and 0° phase.

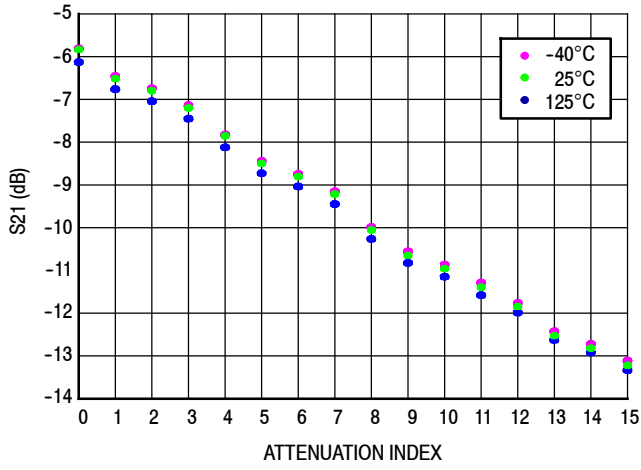


Figure 15. S21 versus Attenuation State versus Temperature

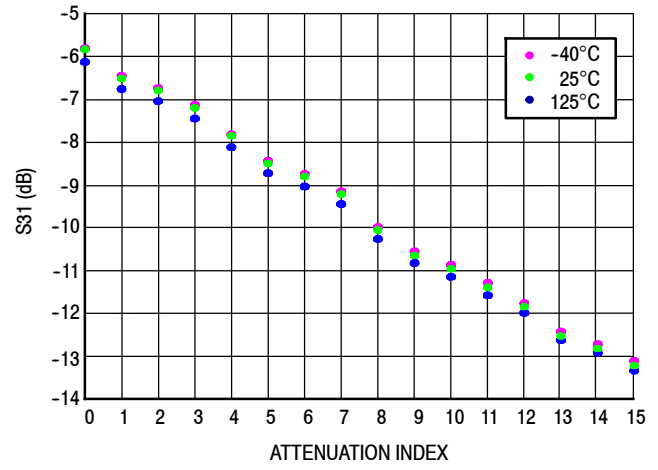


Figure 16. S31 versus Attenuation State versus Temperature

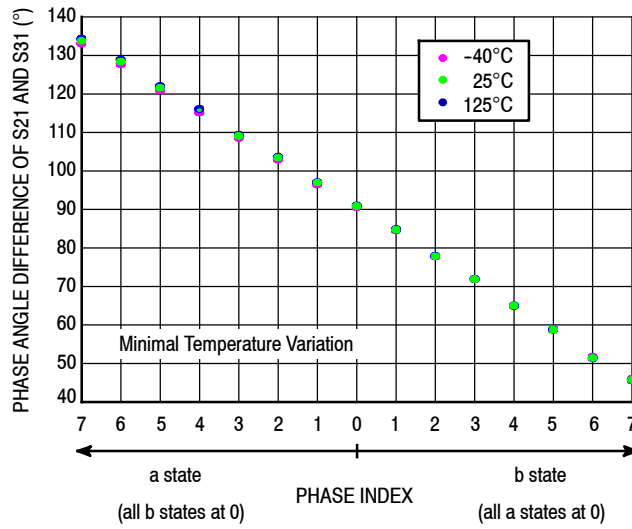


Figure 17. Phase Angle Difference of S21 and S31 versus Phase State versus Temperature

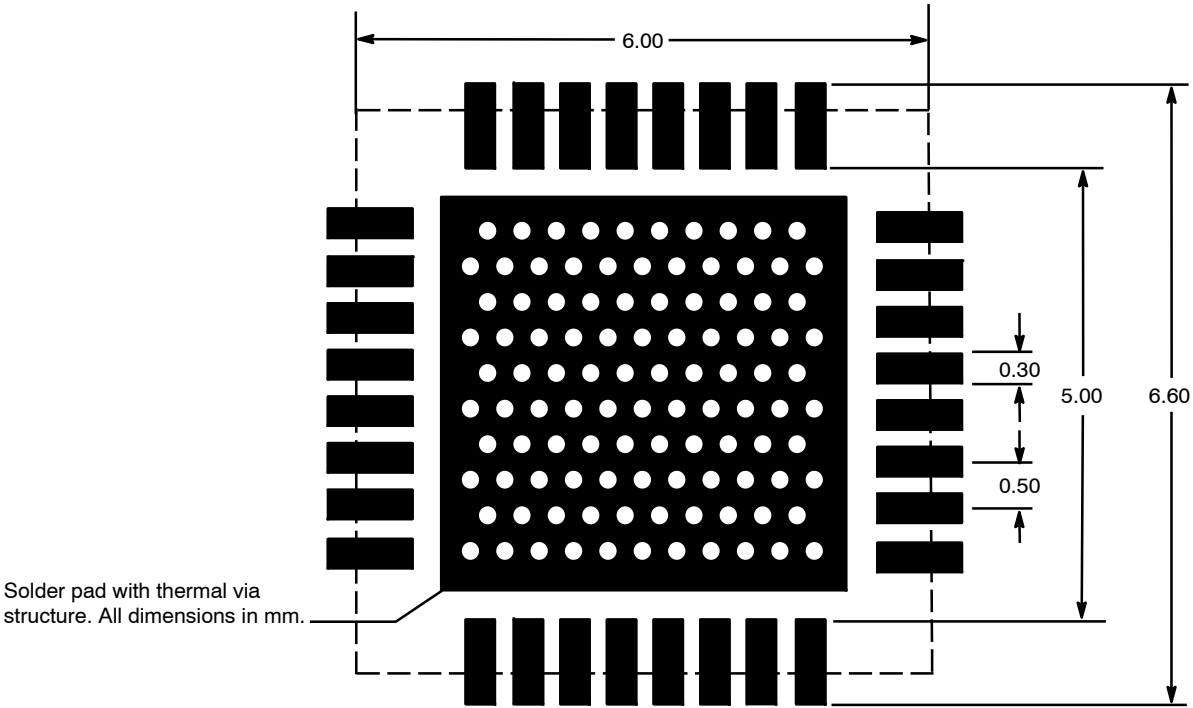
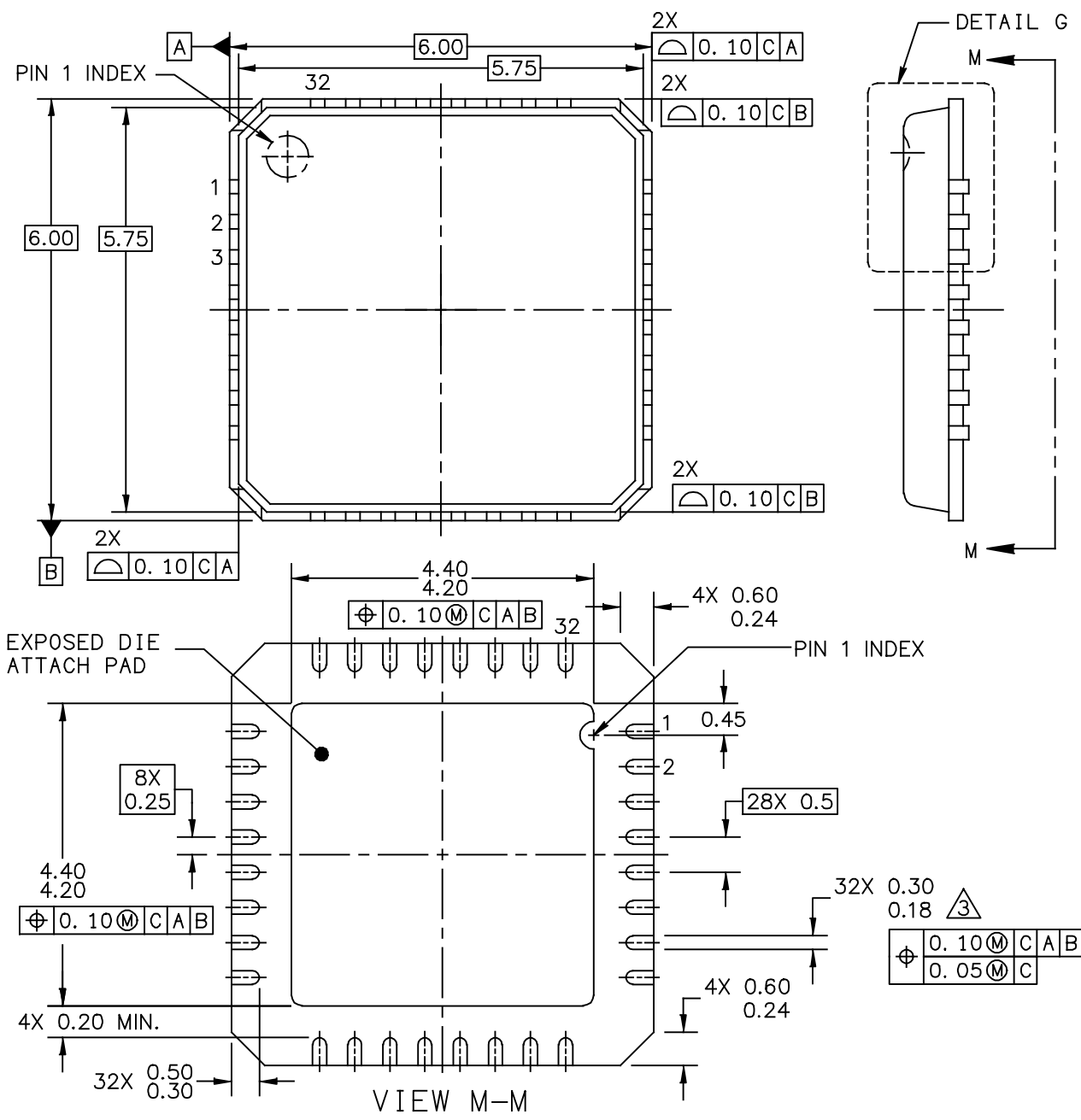


Figure 18. PCB Pad Layout for PQFN 6 x 6

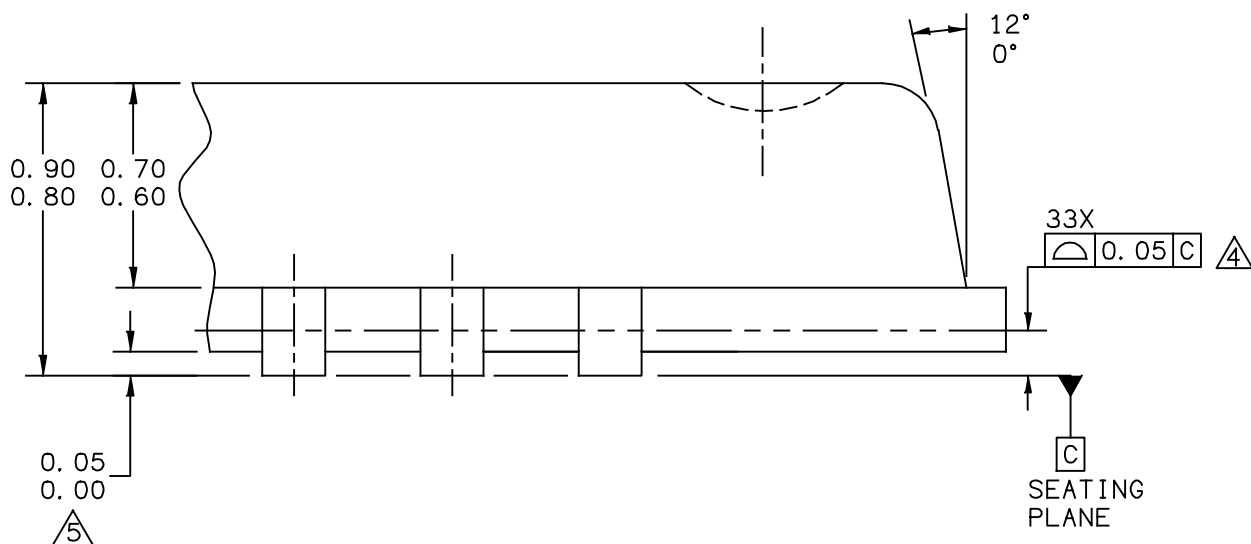


Figure 19. Product Marking

PACKAGE DIMENSIONS



© FREESCALE SEMICONDUCTOR, INC. ALL RIGHTS RESERVED.		MECHANICAL OUTLINE		PRINT VERSION NOT TO SCALE	
TITLE: THERMALLY ENHANCED QUAD FLAT NON-LEADED PACKAGE (QFN) 6 X 6 X 0.85, 32 I/O, 0.5 PITCH		DOCUMENT NO: 98ASA00395D		REV: 0	
		CASE NUMBER: 2235-01		03 NOV 2011	
		STANDARD: NON-JEDEC			



DETAIL G
 VIEW ROTATED 90° CW

© FREESCALE SEMICONDUCTOR, INC. ALL RIGHTS RESERVED.	MECHANICAL OUTLINE	PRINT VERSION NOT TO SCALE	
TITLE: THERMALLY ENHANCED QUAD FLAT NON-LEADED PACKAGE (QFN) 6 X 6 X 0.85, 32 I/O, 0.5 PITCH	DOCUMENT NO: 98ASA00395D	REV: 0	
	CASE NUMBER: 2235-01	03 NOV 2011	
	STANDARD: NON-JEDEC		

NOTE:

1. ALL DIMENSIONS ARE IN MILLIMETERS.
2. DIMENSIONING & TOLERANCING PER ASME Y14.5 – 2009.
3. THIS DIMENSION APPLIES TO METALIZED TERMINAL AND IS MEASURED BETWEEN 0.15 AND 0.30 MM FROM TERMINAL TIP.
4. BILATERAL COPLANARITY ZONE APPLIES TO THE EXPOSED PAD AS WELL AS THE TERMINALS.
5. THIS DIMENSION APPLIES ONLY FOR TERMINALS.
6. MOLD FLASH OR PLATING COVERAGE ON THE RING PAD AREA SHALL BE ALLOWABLE

© FREESCALE SEMICONDUCTOR, INC. ALL RIGHTS RESERVED.	MECHANICAL OUTLINE	PRINT VERSION NOT TO SCALE	
TITLE: THERMALLY ENHANCED QUAD FLAT NON-LEADED PACKAGE (QFN) 6 X 6 X 0.85, 32 I/O, 0.5 PITCH		DOCUMENT NO: 98ASA00395D	REV: 0
		CASE NUMBER: 2235-01	03 NOV 2011
		STANDARD: NON-JEDEC	

Refer to the following resources to aid your design process.

Application Notes

- AN1955: Thermal Measurement Methodology of RF Power Amplifiers

Software

- .s3p File
- Large Signal Simulation

Development Tools

- Printed Circuit Boards
- Evaluation/Development Boards and Systems (file includes ADAM User’s Guide)

For Software and Tools, do a Part Number search at <http://www.freescale.com>, and select the “Part Number” link. Go to the Software & Tools tab on the part’s Product Summary page to download the respective tool.

FAILURE ANALYSIS

At this time, because of the physical characteristics of the part, failure analysis is limited to electrical signature analysis. In cases where Freescale is contractually obligated to perform failure analysis (FA) services, full FA may be performed by third party vendors with moderate success. For updates contact your local Freescale Sales Office.

REVISION HISTORY

The following table summarizes revisions to this document.

Revision	Date	Description
0	May 2014	• Initial release of data sheet
1	Jan. 2015	• Table 7, Functional Pin Description, for pins 4 and 5: pin description for RF _{in} (pins 4 and 5) updated to include additional information needed for pin connection configuration, p. 3

How to Reach Us:

Home Page:
freescale.com

Web Support:
freescale.com/support

Information in this document is provided solely to enable system and software implementers to use Freescale products. There are no express or implied copyright licenses granted hereunder to design or fabricate any integrated circuits based on the information in this document.

Freescale reserves the right to make changes without further notice to any products herein. Freescale makes no warranty, representation, or guarantee regarding the suitability of its products for any particular purpose, nor does Freescale assume any liability arising out of the application or use of any product or circuit, and specifically disclaims any and all liability, including without limitation consequential or incidental damages. "Typical" parameters that may be provided in Freescale data sheets and/or specifications can and do vary in different applications, and actual performance may vary over time. All operating parameters, including "typicals," must be validated for each customer application by customer's technical experts. Freescale does not convey any license under its patent rights nor the rights of others. Freescale sells products pursuant to standard terms and conditions of sale, which can be found at the following address: freescale.com/SalesTermsandConditions.

Freescale and the Freescale logo are trademarks of Freescale Semiconductor, Inc., Reg. U.S. Pat. & Tm. Off. All other product or service names are the property of their respective owners.

© 2014–2015 Freescale Semiconductor, Inc.



Компания «ЭлектроПласт» предлагает заключение долгосрочных отношений при поставках импортных электронных компонентов на взаимовыгодных условиях!

Наши преимущества:

- Оперативные поставки широкого спектра электронных компонентов отечественного и импортного производства напрямую от производителей и с крупнейших мировых складов;
- Поставка более 17-ти миллионов наименований электронных компонентов;
- Поставка сложных, дефицитных, либо снятых с производства позиций;
- Оперативные сроки поставки под заказ (от 5 рабочих дней);
- Экспресс доставка в любую точку России;
- Техническая поддержка проекта, помощь в подборе аналогов, поставка прототипов;
- Система менеджмента качества сертифицирована по Международному стандарту ISO 9001;
- Лицензия ФСБ на осуществление работ с использованием сведений, составляющих государственную тайну;
- Поставка специализированных компонентов (Xilinx, Altera, Analog Devices, Intersil, Interpoint, Microsemi, Aeroflex, Peregrine, Syfer, Eurofarad, Texas Instrument, Miteq, Cobham, E2V, MA-COM, Hittite, Mini-Circuits, General Dynamics и др.);

Помимо этого, одним из направлений компании «ЭлектроПласт» является направление «Источники питания». Мы предлагаем Вам помощь Конструкторского отдела:

- Подбор оптимального решения, техническое обоснование при выборе компонента;
- Подбор аналогов;
- Консультации по применению компонента;
- Поставка образцов и прототипов;
- Техническая поддержка проекта;
- Защита от снятия компонента с производства.



Как с нами связаться

Телефон: 8 (812) 309 58 32 (многоканальный)

Факс: 8 (812) 320-02-42

Электронная почта: org@eplast1.ru

Адрес: 198099, г. Санкт-Петербург, ул. Калинина, дом 2, корпус 4, литера А.