

**PLEASE CHECK WWW.MOLEX.COM FOR LATEST PART INFORMATION**

**Part Number:** [5022312400](#)  
**Status:** **Active**  
**Description:** 0.50mm (.020") Pitch Easy-On™ Type FFC/FPC Connector, For LVDS, 6.05mm (.238") Height, Vertical, SMT, ZIF, 24 Circuits, Lead-free

**Documents:**

[3D Model](#) [Product Specification PS-502231-001 \(PDF\)](#)  
[Drawing \(PDF\)](#) [RoHS Certificate of Compliance \(PDF\)](#)

**General**

Product Family FFC/FPC Connectors  
 Series [502231](#)  
 Product Name Easy-On™

**Physical**

Circuits (Loaded) 24  
 Color - Resin Brown, Natural  
 Contact Position Top  
 Durability (mating cycles max) 20  
 Entry Angle Vertical  
 Mated Height (in) 0.238 In  
 Mated Height (mm) 6.05 mm  
 Material - Metal Phosphor Bronze  
 Material - Plating Mating Gold, Tin  
 Material - Plating Termination Gold, Tin  
 Number of Rows 1  
 Orientation Vertical  
 PCB Locator No  
 PCB Retention Yes  
 Packaging Type Embossed Tape on Reel  
 Pitch - Mating Interface (in) 0.020 In  
 Pitch - Mating Interface (mm) 0.50 mm  
 Pitch - Term. Interface (in) 0.020 In  
 Pitch - Term. Interface (mm) 0.50 mm  
 Polarized to PCB Yes  
 Stackable No  
 Temperature Range - Operating -25°C to +85°C  
 Termination Interface: Style Surface Mount  
 Wire/Cable Type FFC only

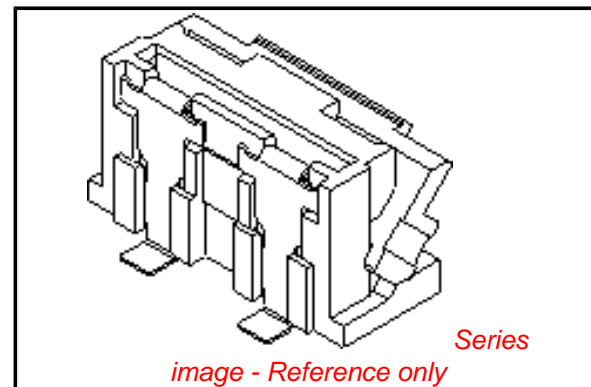
**Electrical**

Current - Maximum per Contact 0.4A  
 Voltage - Maximum 50V AC (RMS)/DC

**Material Info**

**Reference - Drawing Numbers**

Product Specification PS-502231-001, RPS-502231-001  
 Sales Drawing SD-502231-001, SD-502231-002



**EU RoHS**

**ELV and RoHS  
 Compliant**  
**REACH SVHC**  
 Not Reviewed  
**Halogen-Free  
 Status**  
**Not Reviewed**

**China RoHS**

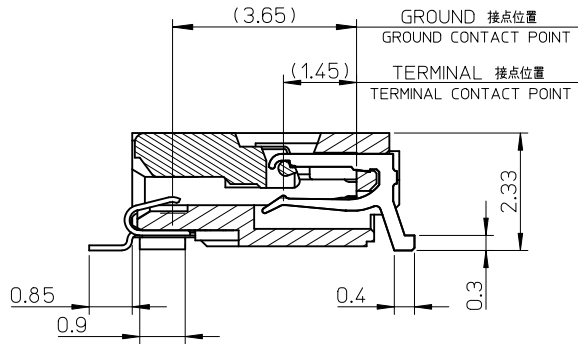
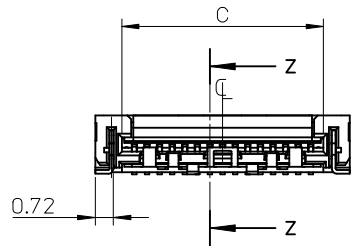
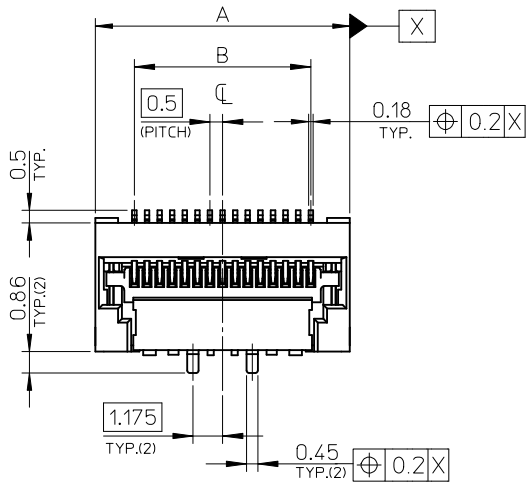


**Need more information on product  
 environmental compliance?**

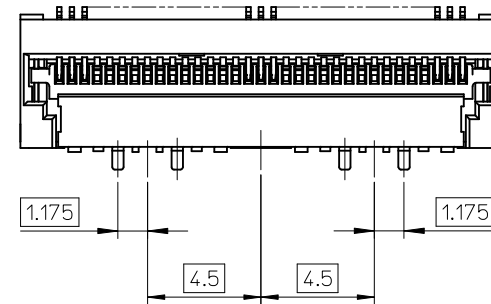
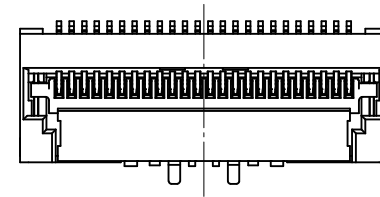
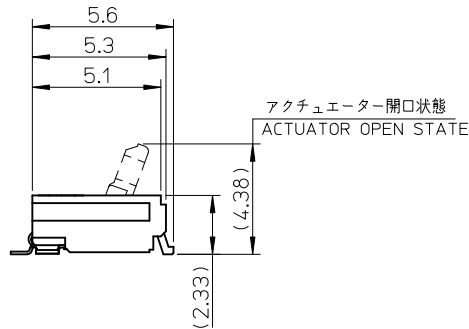
Email [productcompliance@molex.com](mailto:productcompliance@molex.com)  
 For a multiple part number RoHS Certificate of  
 Compliance, [click here](#)

Please visit the [Contact Us](#) section for any  
 non-product compliance questions.

**Search Parts in this Series**  
[502231Series](#)



SECTION Z-Z  
(Scale 10:1)



33極品形状

17	16	19.1	502244-3330	33
12.5	11.5	14.6	502244-2430	24
8	7	10.1	502244-1530	15
C	B	A	EMBOSSED TAPE	CIRCUIT
			ORDER No.	
CONNECTOR SERIES No.502244-***39				

REVISED EC NO.: J2010-1947 DRWN: NISHI 2010/03/18 CHKD: MATSUURA 2010/03/18 APPR: KMORIKAWA 2010/03/29	GENERAL TOLERANCES (UNLESS SPECIFIED)		DIMENSION STYLE	SCALE	DESIGN UNITS	THIRD ANGLE PROJECTION
			MM ONLY	5:1	METRIC	
	10 UNDER	± 0.2	DRAWN BY	DATE	TITLE	
	10 OVER 30 UNDER	± 0.25	THANYU	'06/03/10	0.5 FFC CONN. FOR LVDS HOUSING ASSY (BOTTOM CONTACT)	
	30 OVER	± 0.3	CHECKED BY	DATE	MOLEX INCORPORATED	
ANGULAR	± 3°	SMARUYAMA	'06/03/10	MATERIAL NO.		
DRAFT WHERE APPLICABLE MUST REMAIN WITHIN DIMENSIONS		APPROVED BY	DATE	DOCUMENT NO.		
		SICHIKAWA	'06/03/10	SD-502244-001		
		SEE TABLE		SHEET NO.		
		SIZE A3		1 OF 3		
THIS DRAWING CONTAINS INFORMATION THAT IS PROPRIETARY TO MOLEX INCORPORATED AND SHOULD NOT BE USED WITHOUT WRITTEN PERMISSION						

注記 NOTES

1.使用材料 MATERIAL

ハウジング:液晶ポリマー (LCP), ガラス充填, UL94V-0, ナチュラル (白)  
 HOUSING: LIQUID CRYSTAL POLYMER (LCP),  
 GLASS FILLED, UL94V-0, NATURAL (WHITE)  
 アクチュエーター ACTUATOR  
 (15, 33極): ポリアミド (PA), ガラス充填, UL94V-0, 黒  
 (24極): ポリフェニレンスルファイド (PPS), ガラス充填, UL94V-0, 黒  
 (15, 33CKT): POLYAMIDE (PA), GLASS FILLED, UL94V-0, BLACK  
 (24CKT): POLYPHENYLENESULFIDE (PPS), GLASS FILLED,  
 UL94V-0, BLACK

ターミナル: 燐青銅  
 TERMINAL: PHOSPHOR BRONZE  
 ネイル: 燐青銅  
 NAIL: PHOSPHOR BRONZE  
 グランド: 燐青銅  
 GROUND: PHOSPHOR BRONZE

2.メッキ仕様

PLATING SPECIFICATION

ターミナルコンタクト部: 部分金メッキ (0.1μm以上)  
 TERMINAL CONTACT: SEPARATED GOLD PLATING (0.1μmMIN.)  
 ターミナルテール部: 部分金メッキ (0.05μm以上)  
 TERMINAL TAIL: SEPARATED GOLD PLATING (0.05μmMIN.)  
 ターミナル下地: ニッケルメッキ (1.0μm以上)  
 TERMINAL UNDERPLATE: NICKEL PLATING (1.0μmMIN.)  
 ネイル: 錫メッキ (1.0μm以上)  
 NAIL: TIN PLATING (1.0μmMIN.)  
 ネイル下地: ニッケルメッキ (1.0μm以上)  
 NAIL UNDERPLATE: NICKEL PLATING (1.0μmMIN.)  
 グランド: 錫メッキ (1.0μm以上)  
 GROUND: TIN PLATING (1.0μmMIN.)  
 グランド下地: ニッケルメッキ (1.0μm以上)  
 GROUND UNDERPLATE: NICKEL PLATING (1.0μmMIN.)

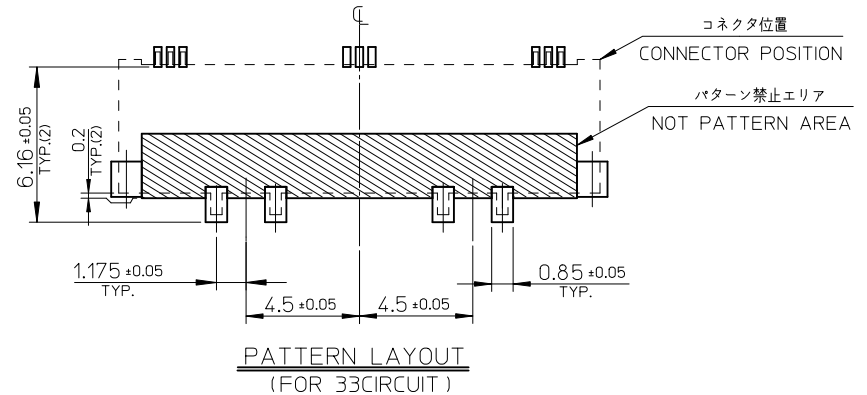
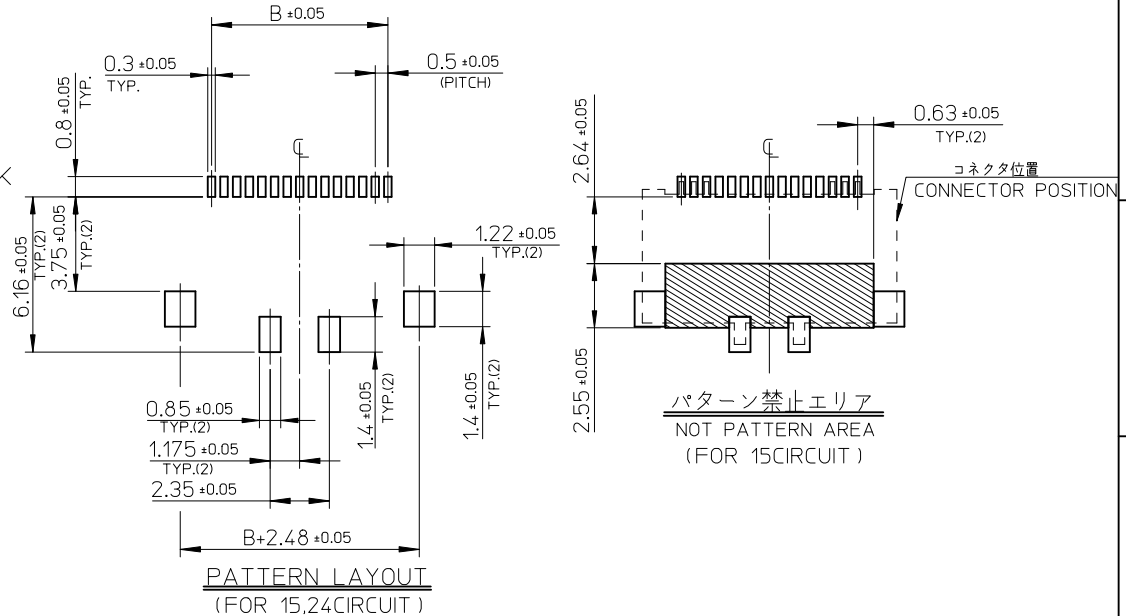
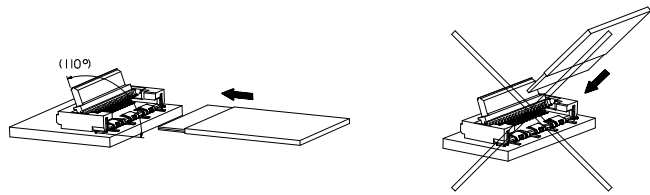
3.エンボステープ梱包時は、アクチュエーターが閉じた状態とする。

IN THE PACKAGE, ACTUATOR SHOULD BE CLOSED.

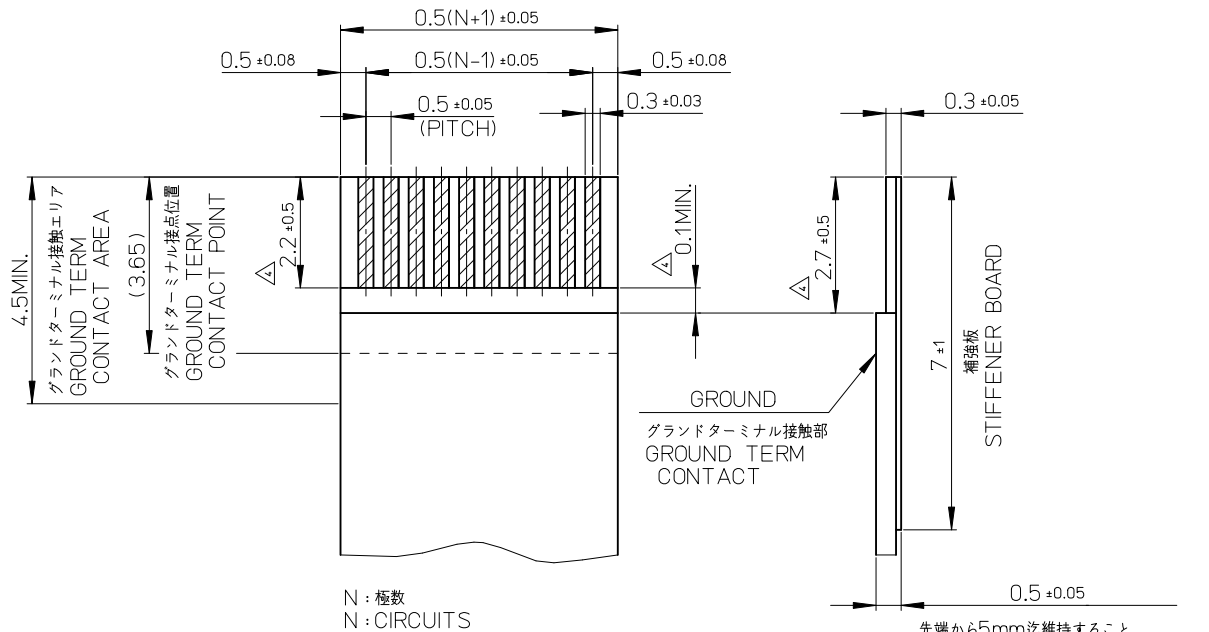
△使用するFFCはターミナル用パターン導体部とグランドターミナル用パターン導体部が重ならないこと。  
 FFC IS NOT OVER LAP PATTERN OF TERMINAL  
 AND GROUND TERMINAL.

5.FFCの挿入はアクチュエーターが完全に開いた状態でを行い、挿入口より真っ直ぐ  
 ハウジングに突き当たるまで挿入してください。  
 DO WITH THE ACTUATOR OPENED COMPLETELY,  
 AND INSERT IT IN THE INTERIOR OF THE INSERTION  
 ENTRNCE SURELY WHEN YOU INSERT FFC.

6.ELV AND RoSH COMPLIANT.



REVISED EC NO: J2010-1947 DRWN: NISHI 2010/03/18 CHKD: MATSUURA 2010/03/18 APPR: KMORIKAWA 2010/03/29	GENERAL TOLERANCES (UNLESS SPECIFIED)		DIMENSION STYLE MM ONLY	SCALE 5:1	DESIGN UNITS METRIC	THIRD ANGLE PROJECTION
	10 UNDER	± 0.2	DRAWN BY THANYU	DATE '06/03/10	TITLE 0.5 FFC CONN. FOR LVDS HOUSING ASSY (BOTTOM CONTACT)	
	10 OVER 30 UNDER	± 0.25	CHECKED BY SMARUYAMA	DATE '06/03/10	MOLEX INCORPORATED	
	30 OVER	± 0.3	APPROVED BY SICHIKAWA	DATE '06/03/10	MATERIAL NO. SEE SHEET 1	DOCUMENT NO. SD-502244-001
REV	ANGULAR	± 3 °	THIS DRAWING CONTAINS INFORMATION THAT IS PROPRIETARY TO MOLEX INCORPORATED AND SHOULD NOT BE USED WITHOUT WRITTEN PERMISSION			
	DRAFT WHERE APPLICABLE MUST REMAIN WITHIN DIMENSIONS					



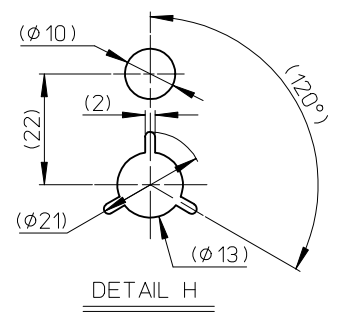
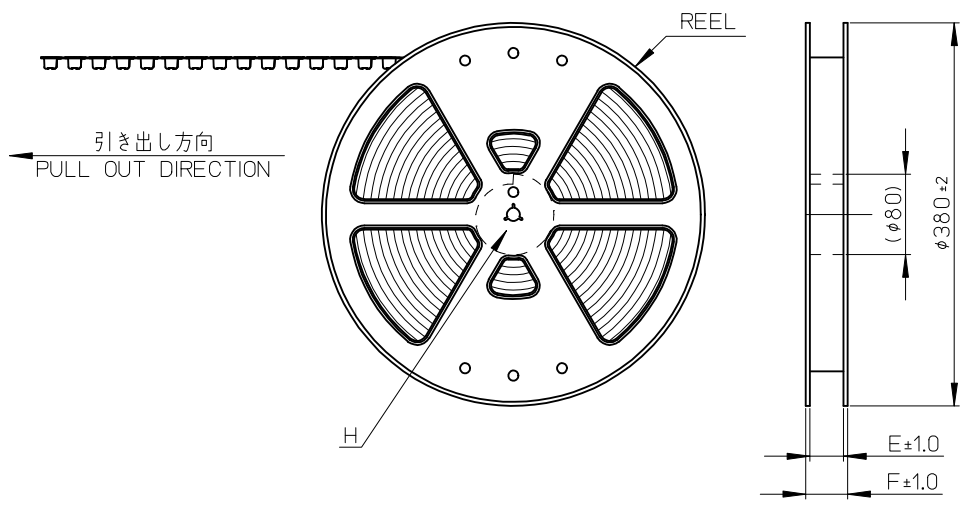
適合FFC推奨寸法  
 APPLICABLE FFC  
 RECOMMENDED DIMENSION

先端から5mm迄維持すること  
 (コネクタグランドターミナル接触部)  
 MAINTAIN MEASURE FROM  
 THE POINT TO 5mm  
 (GROUND TERM CONTACT)

FFCについて:  
 抜き方向は導体側から補強板側を推奨致します。  
 導体部については、軟銅箔:35マイクロメートル又は50マイクロメートル  
 金めっきを推奨致します。

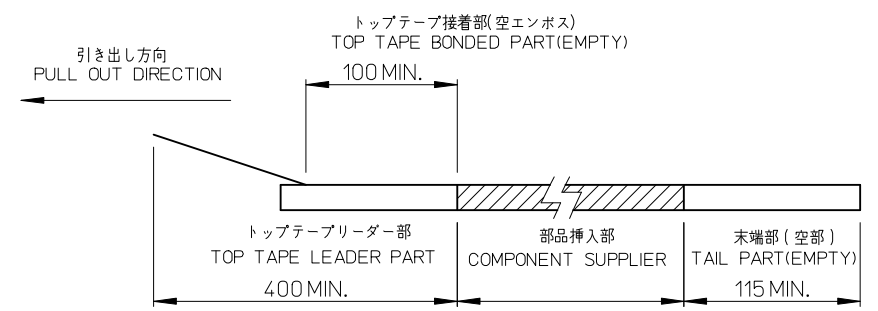
ABOUT FFC:  
 RECOMMENDED PUNCHER DIRECTION :  
 FROM CONDUCTOR SIDE TO STIFFENER FILM SIDE  
 RECOMMENDED CONDUCTOR SPEC :  
 THICKNESS OF SOFT COPPER : 35 MICROMETER OR 50 MICROMETER  
 GOLD PLATING

REVISED EC NO.: J2010-1947 DRWN: NISHI 2010/03/18 CHKD: MATSUURA 2010/03/18 APPR: KMORIKAWA 2010/03/29	DESCRIPTION	GENERAL TOLERANCES (UNLESS SPECIFIED)		DIMENSION STYLE MM ONLY		SCALE 5:1	DESIGN UNITS METRIC	THIRD ANGLE PROJECTION	
		10 UNDER	±0.2	DRAWN BY THANYU	DATE '06/03/10	TITLE 0.5 FFC CONN. FOR LVDS HOUSING ASSY (BOTTOM CONTACT)			
		10 OVER 30 UNDER	±0.25	CHECKED BY SMARUYAMA	DATE '06/03/10	MOLEX INCORPORATED			
		30 OVER	±0.3	APPROVED BY SICHIKAWA	DATE '06/03/10	MATERIAL NO.	DOCUMENT NO.	SHEET NO.	
		ANGULAR ± 3 °		SEE SHEET 1		SD-502244-001		3 OF 3	
		DRAFT WHERE APPLICABLE MUST REMAIN WITHIN DIMENSIONS		THIS DRAWING CONTAINS INFORMATION THAT IS PROPRIETARY TO MOLEX INCORPORATED AND SHOULD NOT BE USED WITHOUT WRITTEN PERMISSION					



NOTES

- 製品詳細寸法につきましては、製品単体図面を参照して下さい。  
FOR DETAIL OF CONNECTOR DIMENSIONS.  
PLEASE SEE THE DRAWING OF CONNECTOR ITSELF (NOT PACKAGED).
- 梱包数量: 2500個/リール  
NUMBER OF CONNECTORS : 2500PCS/REEL
- リードテープの長さ  
LEAD TAPE LENGTH

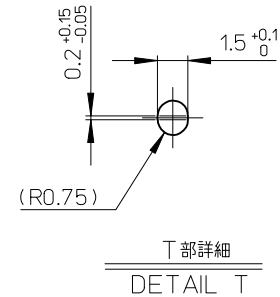
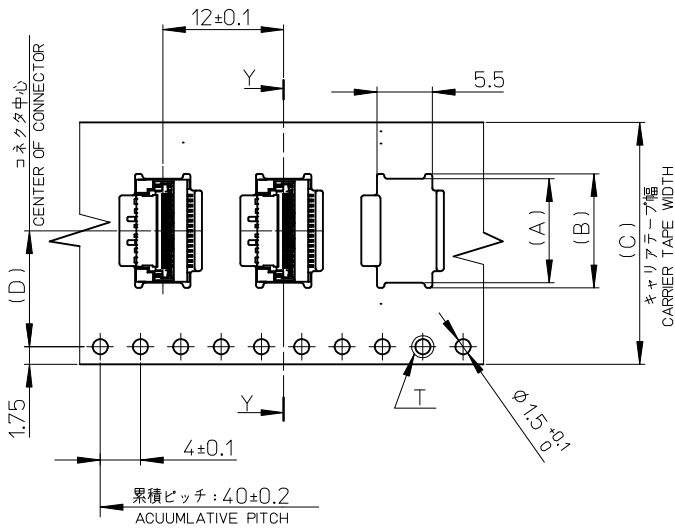
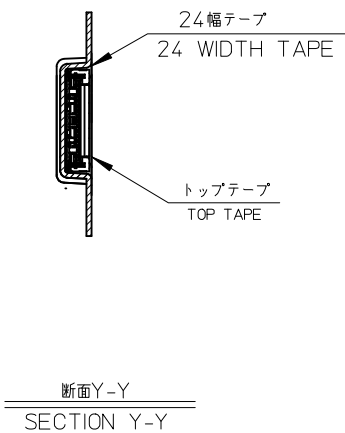


- 材料  
MATERIAL  
キャリアテープ : ポリスチレン (PS)  
CARRIER TAPE : POLYSTYRENE (PS)  
トップテープ : PET, OTHER  
TOP TAPE : PET, OTHER  
リール : ポリスチレン (リサイクル材を含む)  
REEL : POLYSTYRENE (RECYCLE MATERIAL CONTAINED)

5.ELV AND RoHS COMPLIANT

REVISED EC NO: J2009-1513 DRWN:MTAKASAKI 2008/12/11 CHKD:MHAYASHI 2008/12/12 APPR:NUKITA 2008/12/12	GENERAL TOLERANCES (UNLESS SPECIFIED)		DIMENSION STYLE MM ONLY		SCALE ---	DESIGN UNITS METRIC	THIRD ANGLE PROJECTION	
	10 UNDER	$\pm 0.2$	DRAWN BY NNISHI	DATE '06/5/22	TITLE 0.5 FFC CONN.FOR LVDS HOUSING ASSY EMBSTP PKG			
	10 OVER 30 UNDER	$\pm 0.25$	CHECKED BY SMARUYAMA	DATE '06/5/22				
	30 OVER	$\pm 0.3$	APPROVED BY SICHIKAWA	DATE '06/5/22	MOLEX INCORPORATED			
	ANGULAR $\pm 1^\circ$		MATERIAL NO. SEE SHEET 2					
DRAFT WHERE APPLICABLE MUST REMAIN WITHIN DIMENSIONS		THIS DRAWING CONTAINS INFORMATION THAT IS PROPRIETARY TO MOLEX INCORPORATED AND SHOULD NOT BE USED WITHOUT WRITTEN PERMISSION						

引き出し方向  
PULL OUT DIRECTION



29.4	25.4	11.5	24	15.8	14.8	502244-2439	502244-2430	24
				11.3	10.3	502244-1539	502244-1530	15
F	E	(D)	(C)	(B)	(A)	製品単体 CONNECTOR	製品番号 MATERIAL NO.	極数 CIRCUITS

REVISED EC NO: J2009-1513 DRWN:MTAKASAKI 2008/12/11 CHKD:MHAYASHI 2008/12/12 APPR:NUKITA 2008/12/12	GENERAL TOLERANCES (UNLESS SPECIFIED)		DIMENSION STYLE MM ONLY		SCALE ---	DESIGN UNITS METRIC	THIRD ANGLE PROJECTION	
	10 UNDER	±0.2	DRAWN BY NNISHI	DATE '06/5/22	TITLE 0.5 FFC CONN.FOR LVDS HOUSING ASSY EMBSTP PKG			
	10 OVER 30 UNDER	±0.25	CHECKED BY SMARUYAMA	DATE '06/5/22				
	30 OVER	±0.3	APPROVED BY SICHIKAWA	DATE '06/5/22	MOLEX INCORPORATED			
ANGULAR ±1 °		MATERIAL NO.		DOCUMENT NO. SD-502244-002				
DRAFT WHERE APPLICABLE MUST REMAIN WITHIN DIMENSIONS		SIZE A3		THIS DRAWING CONTAINS INFORMATION THAT IS PROPRIETARY TO MOLEX INCORPORATED AND SHOULD NOT BE USED WITHOUT WRITTEN PERMISSION				

10 9 8 7 6 5 4 3 2 1

F

E

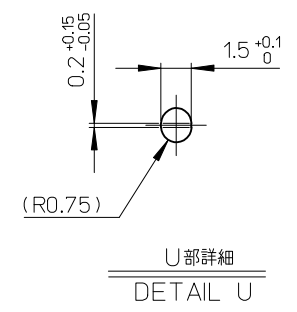
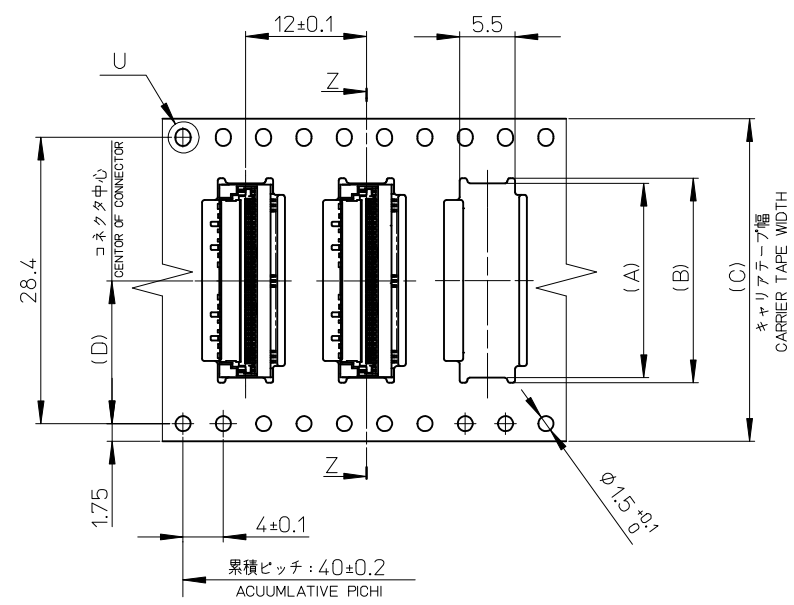
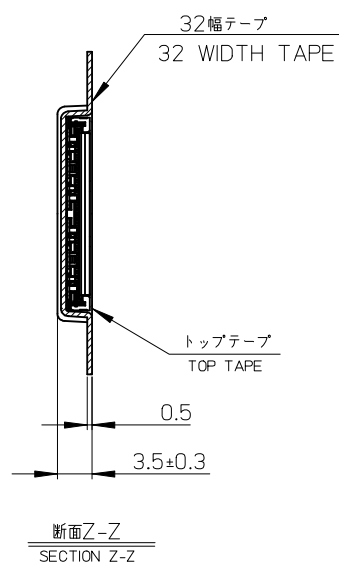
D

C

B

A

引き出し方向  
PULL OUT DIRECTION



37.4	33.4	14.15	32	20.3	19.3	502244-3339	502244-3330	33
F	E	(D)	(C)	(B)	(A)	製品単体 CONNECTOR	製品番号 MATERIAL NO.	極数 CIRCUITS

REVISED EC NO: J2009-1513 DRWN: TAKASAKI 2008/12/11 CHKD: HAYASHI 2008/12/12 APPR: NUKITA 2008/12/12	GENERAL TOLERANCES (UNLESS SPECIFIED)		DIMENSION STYLE MM ONLY		SCALE ---	DESIGN UNITS METRIC			THIRD ANGLE PROJECTION		
	10 UNDER	±0.2	DRAWN BY NNISHI		DATE '06/5/22		TITLE 0.5 FFC CONN.FOR LVDS HOUSING ASSY EMBSTP PKG				
	10 OVER 30 UNDER	±0.25	CHECKED BY SMARUYAMA		DATE '06/5/22		MOLEX INCORPORATED DOCUMENT NO. SD-502244-002 SHEET NO. 3 OF 3				
	30 OVER	±0.3	APPROVED BY SICHIKAWA		DATE '06/5/22						
	ANGULAR	±1 °	DRAFT WHERE APPLICABLE MUST REMAIN WITHIN DIMENSIONS		MATERIAL NO. SEE TABLE						
REV	DESCRIPTION	THIS DRAWING CONTAINS INFORMATION THAT IS PROPRIETARY TO MOLEX INCORPORATED AND SHOULD NOT BE USED WITHOUT WRITTEN PERMISSION									



Компания «ЭлектроПласт» предлагает заключение долгосрочных отношений при поставках импортных электронных компонентов на взаимовыгодных условиях!

Наши преимущества:

- Оперативные поставки широкого спектра электронных компонентов отечественного и импортного производства напрямую от производителей и с крупнейших мировых складов;
- Поставка более 17-ти миллионов наименований электронных компонентов;
- Поставка сложных, дефицитных, либо снятых с производства позиций;
- Оперативные сроки поставки под заказ (от 5 рабочих дней);
- Экспресс доставка в любую точку России;
- Техническая поддержка проекта, помощь в подборе аналогов, поставка прототипов;
- Система менеджмента качества сертифицирована по Международному стандарту ISO 9001;
- Лицензия ФСБ на осуществление работ с использованием сведений, составляющих государственную тайну;
- Поставка специализированных компонентов (Xilinx, Altera, Analog Devices, Intersil, Interpoint, Microsemi, Aeroflex, Peregrine, Syfer, Eurofarad, Texas Instrument, Miteq, Cobham, E2V, MA-COM, Hittite, Mini-Circuits, General Dynamics и др.);

Помимо этого, одним из направлений компании «ЭлектроПласт» является направление «Источники питания». Мы предлагаем Вам помощь Конструкторского отдела:

- Подбор оптимального решения, техническое обоснование при выборе компонента;
- Подбор аналогов;
- Консультации по применению компонента;
- Поставка образцов и прототипов;
- Техническая поддержка проекта;
- Защита от снятия компонента с производства.



#### Как с нами связаться

**Телефон:** 8 (812) 309 58 32 (многоканальный)

**Факс:** 8 (812) 320-02-42

**Электронная почта:** [org@eplast1.ru](mailto:org@eplast1.ru)

**Адрес:** 198099, г. Санкт-Петербург, ул. Калинина, дом 2, корпус 4, литера А.