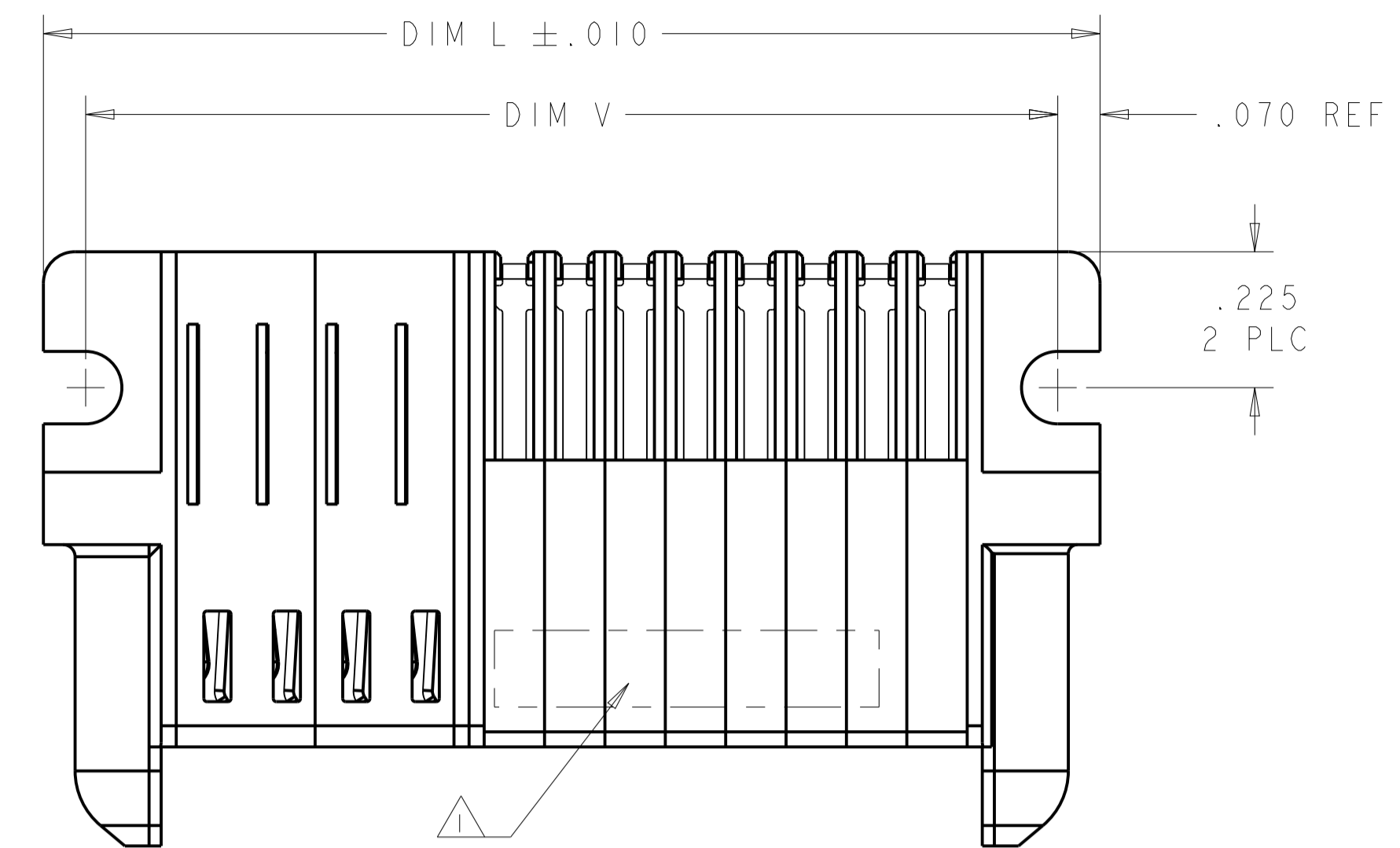
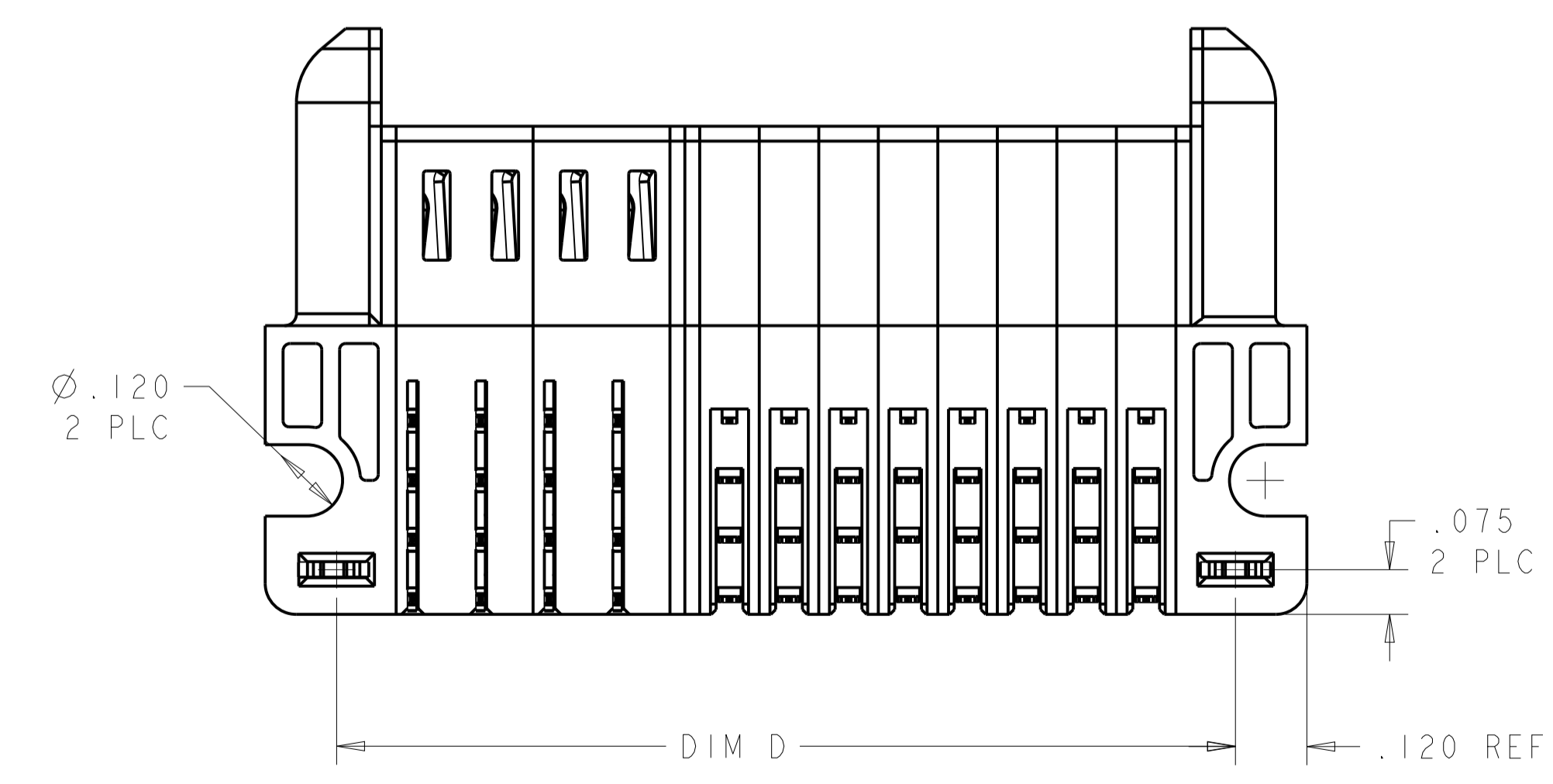
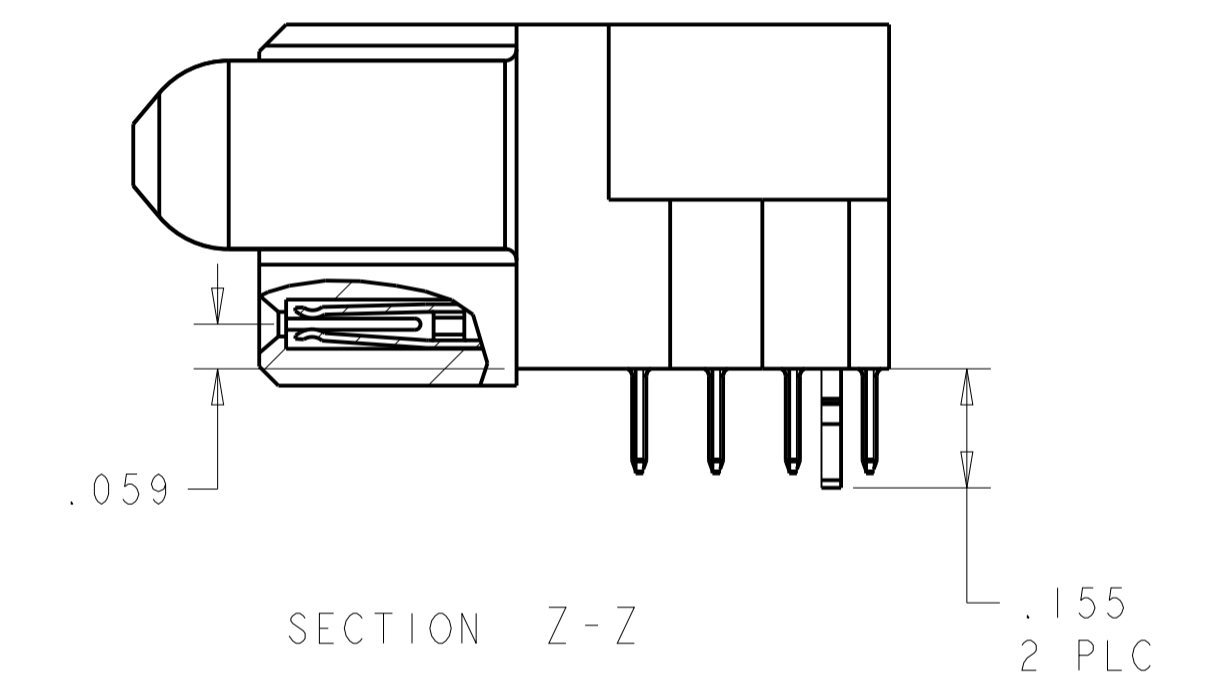
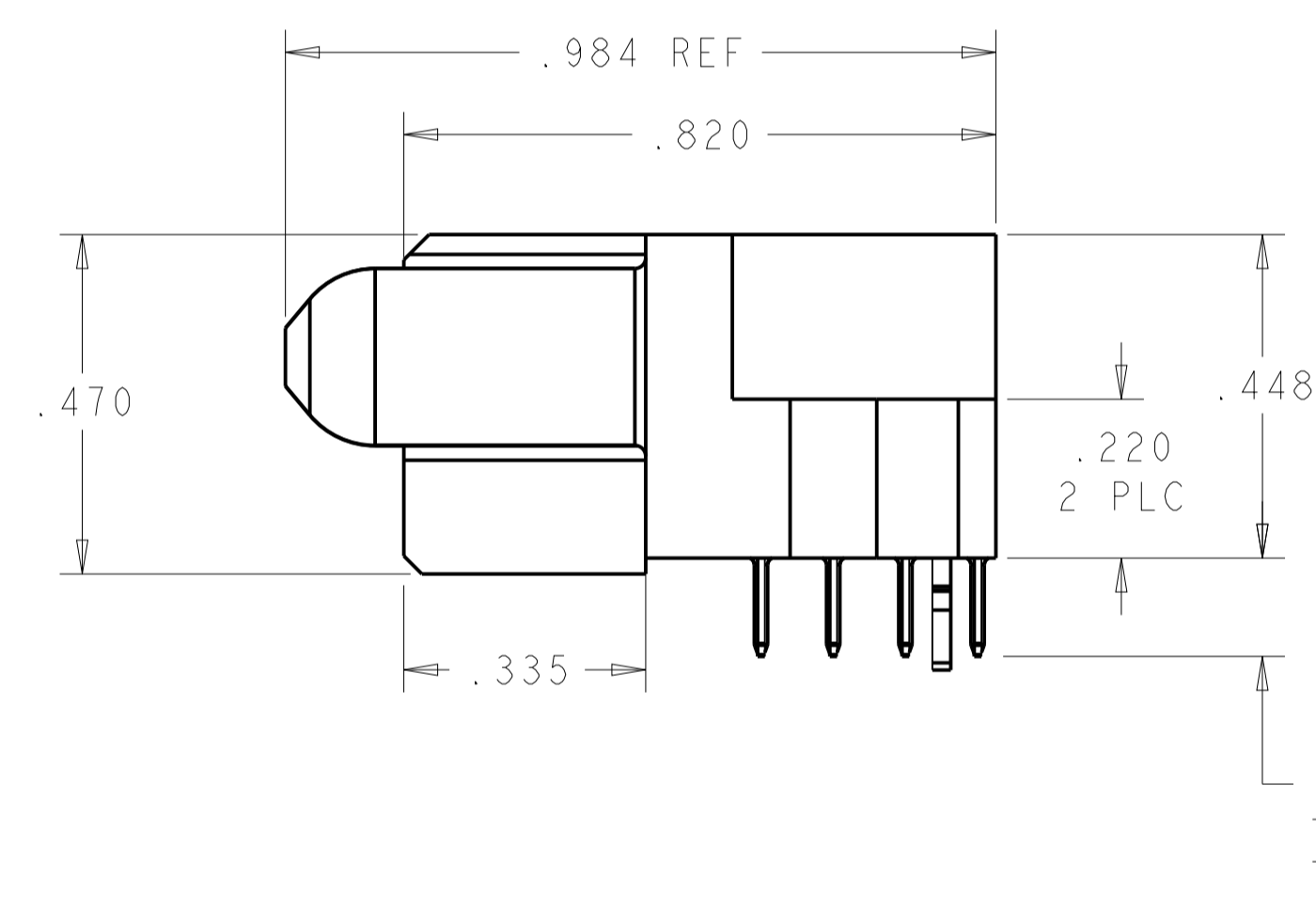
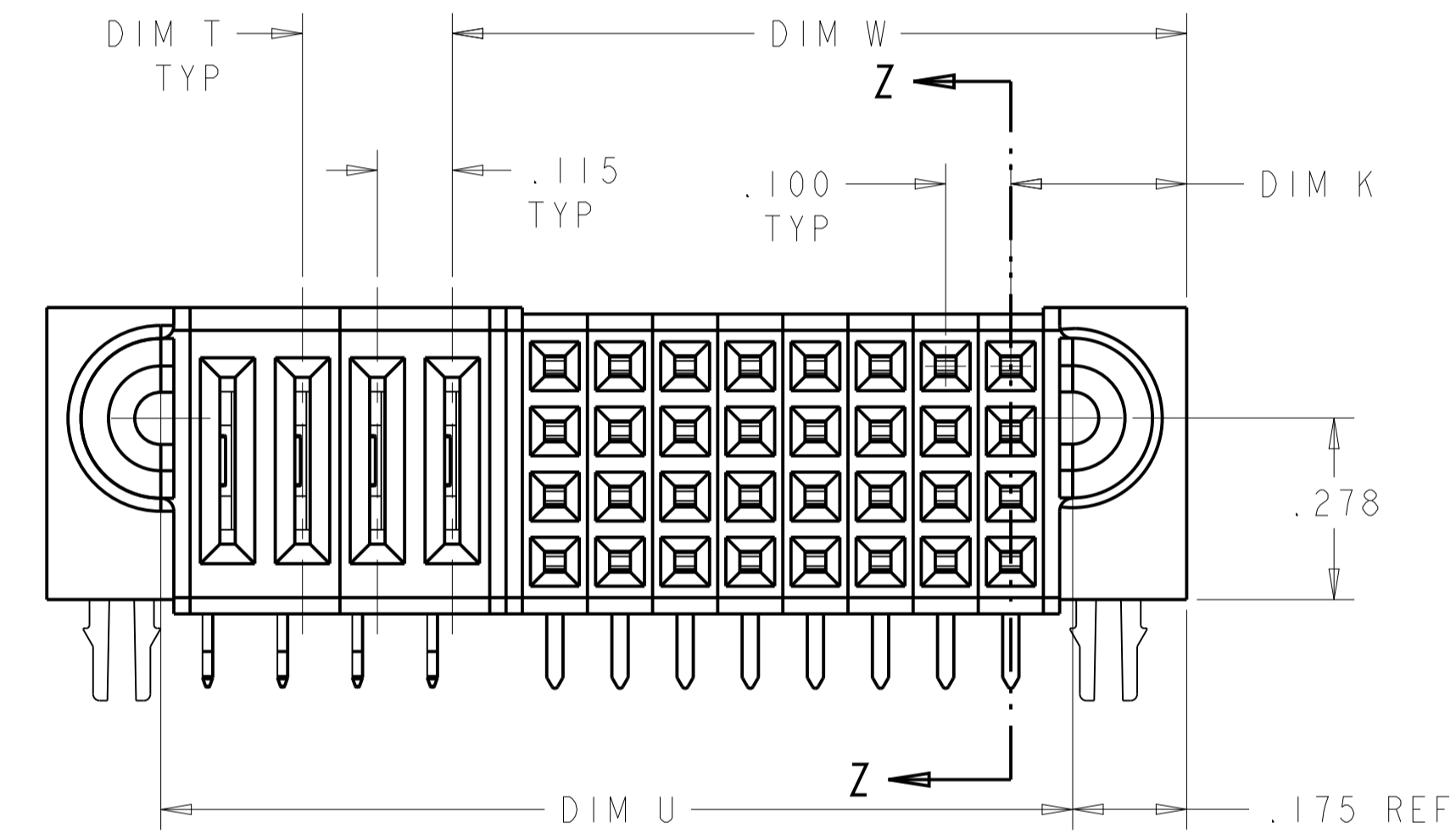


LOC		DIST		REVISIONS			
P	LTN	DESCRIPTION	DATE	DMN	APVD		
C9		ADD NEW DASH NUMBER 1-4 AND 1-5	05DEC2013	CZ	SZ		
D		REMOVE "HD" FOR 1-4	31DEC2013	CZ	SZ		



- 1 "AMP", PART NUMBER, AND DATECODE TO BE MARKED IN AREA SHOWN. PARTS UNDER 2.00 LONG MAY BE MARKED ON BOTH SIDES.
- 2 MATERIAL: HOUSING - GLASS FILLED HIGH TEMP THERMO PLASTIC, BLACK, UL94 V-0
 SIGNAL CONTACT - COPPER ALLOY
 POWER CONTACT - HIGH CONDUCTIVITY COPPER ALLOY
- 3 CONTACT PLATING: NOBLE METAL PLATING ON CONTACT FUNCTIONAL AREA OF POWER AND SIGNAL CONTACTS.
- 4 MECHANICAL CONNECTOR KEEP OUT ZONE.
- 5 DATUM AND BASIC DIMENSIONS ESTABLISHED BY CUSTOMER.
- 6 PCB - HOLE DIAMETERS ARE FINISHED HOLE SIZE.
- 7 PCB - .0453±.0010 DRILLED HOLES PLATED WITH .0003 MIN Sn OVER .001 TO .003 Cu PLATING TO ACHIEVE A .040 DIA HOLE.
- 8 FOR 'S+P' CONFIGURATION VARIABLE DIMENSION SHOW ON THE SHEET TWO.
- 9 POWER CONTACT AREA LUBRICATED WITH LUBRICANT
- 10 VARIABLE DIMENSIONS PLEASE SEE TABLE.



.250	1.900	1.690		.945	1.800	.270	2.040	24S + 4P	1-6450871-5	
.200	2.350	2.140	-	.745	-	.270	2.490	16S + 8HDP	1-6450871-4	
.600	3.550	3.340	-	1.220	3.450	.270	3.690	32S + 8ACP	1-6450871-3	
.300	2.350	2.140	-	1.220	2.250	.270	2.490	32S + 4ACP	1-6450871-2	
.200	3.325	3.115	-	.945	3.225	.270	3.465	24S + 12HDP	1-6450871-1	
.250	2.275	2.065	-	.845	2.175	.270	2.415	20S + 6P	1-6450871-0	
.300	2.525	2.315	-	.845	2.425	.270	2.665	20S + 6ACP	6450871-9	
.250	3.200	2.990	-	.770	3.100	.295	3.340	16S + 10P	6450871-8	
-	.700	.490	-	-	.600	.270	.840	16S	6450871-7	
.225	3.350	3.140	-	1.145	3.250	.270	3.490	32S + 10P	6450871-6	
10	3.400	3.190	-	1.170	3.300	.270	3.540	32S + 10P	6450871-5	
.250	2.425	2.215	-	.970	-	.295	2.565	24S + 6P	6450871-4	
.250	2.925	2.715	-	.970	2.825	.295	3.065	24S + 8P	6450871-3	
.250	2.425	2.215	-	.970	2.325	.295	2.565	24S + 6P	6450871-2	
-	1.610	1.400	.230	1.1275	1.510	.270	1.750	32S + 4LP	6450871-1	
DIM S	DIM V	DIM U		DIM T	DIM W	DIM D	DIM K	DIM L	DESCRIPTION	PART NUMBER

THIS DRAWING IS A CONTROLLED DOCUMENT. DMN: C.ZHOU 02AUG2013
 CHK: S.ZHAO 02AUG2013

DIMENSIONS: INCH TOLERANCES UNLESS OTHERWISE SPECIFIED:
 0 PLC ±.0010
 1 PLC ±.0010
 2 PLC ±.0010
 3 PLC ±.0010
 4 PLC ±.0010
 ANGLES ±.0020

MATERIAL: FINISH:

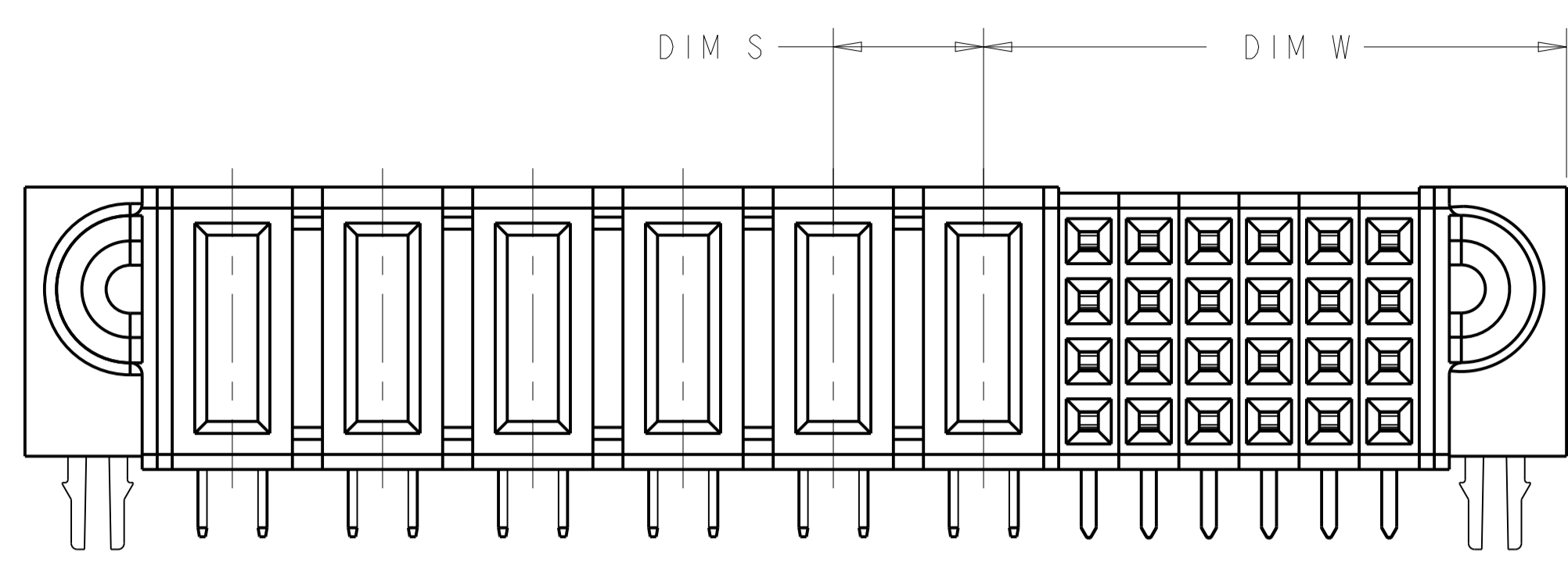
PRODUCT SPEC: 108-2292
 APPLICATION SPEC: 114-13251
 WEIGHT: A100779
 CUSTOMER DRAWING

NAME: RIGHT ANGLE RECEPTACLE WITH LP AND SHORT END MODULAR MULTI-BEAM XLE
 SIZE: 114-13251
 CAGE CODE: 6450871
 SCALE: 1:1 SHEET 1 OF 10 REV: 1

STE TE Connectivity

THIS DRAWING IS UNPUBLISHED. RELEASED FOR PUBLICATION 20
 © COPYRIGHT 20 BY - ALL RIGHTS RESERVED.

LOC		DIST		REVISIONS			
P	LTN	DESCRIPTION	DATE	DWN	APVD		
-	-	SEE SHEET 1	-	-	-		



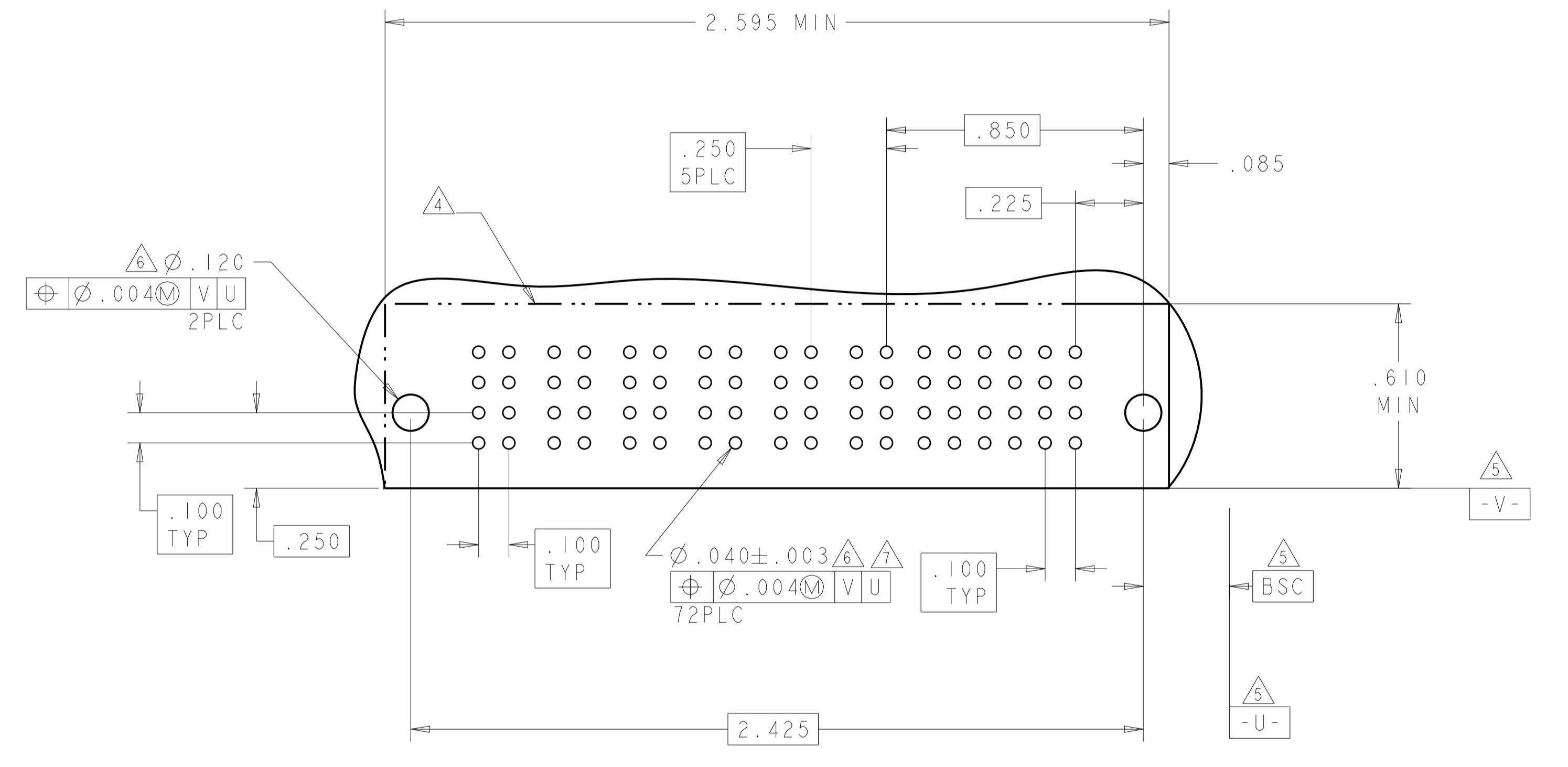
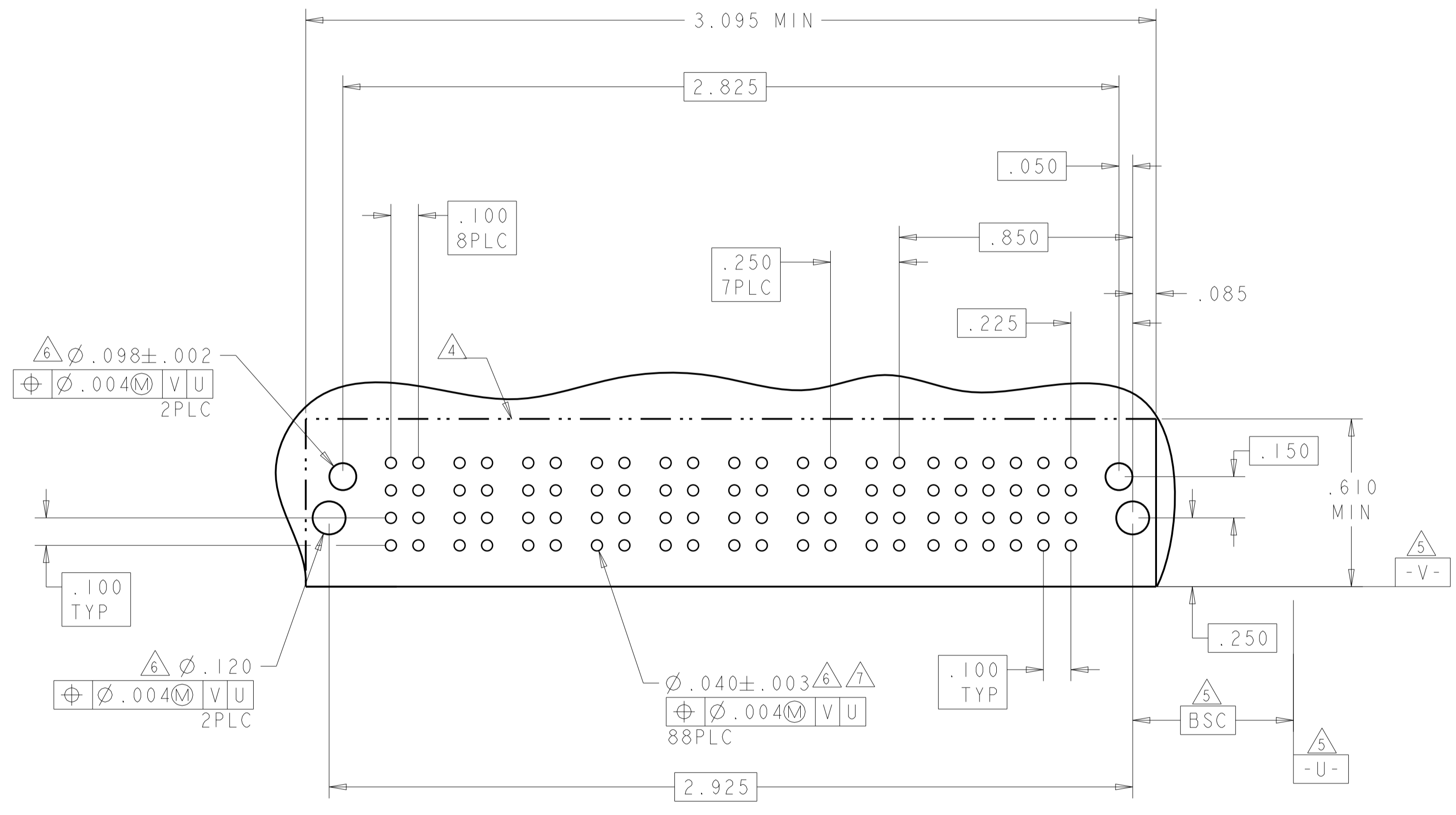
⚠ FOR "S+P" CONFIGURATION UNSPECIFIED DIMENSION REFER TO SHEET ONE

THIS DRAWING IS A CONTROLLED DOCUMENT.		DWN C. ZHOU CHK S. ZHAO	02AUG2013 02AUG2013		
DIMENSIONS: INCH		TOLERANCES UNLESS OTHERWISE SPECIFIED: 0 PLC ± 1 PLC ± 2 PLC ± 3 PLC ±.0050 4 PLC ±.0020 ANGLES ±.2°			
		FINISH -		SIZE A100779	CAGE CODE C=6450871
MATERIAL -		WEIGHT -		RESTRICTED TO -	
CUSTOMER DRAWING				SCALE 1:1	SHEET 2 OF 10

LOC		DIST		REVISIONS			
				REV	DATE	BY	APPV
-	-	-	-	1	SEE SHEET 1	-	-

PART NUMBER	ROWS	POWER								SIGNAL							
		P8	P7	P6	P5	P4	P3	P2	PI	6	5	4	3	2	1		
6450871-3	D C B A	RM	RM	RM	RM	RM	RM	RM	RM	H	H	H	H	H	H		
										G	G	G	G	G	G		
										F	F	F	F	F	F		
										E	E	E	E	E	E		
24S + 8P		HD														HD	

PART NUMBER	ROWS	POWER						SIGNAL									
		P6	P5	P4	P3	P2	PI	6	5	4	3	2	1				
6450871-4	D C B A	RM	RM	RM	RM	RM	RM	H	H	H	H	H	H				
								G	G	G	G	G	G				
								F	F	F	F	F	F				
								E	E	E	E	E	E				
24S + 6P		HD														HD	



THIS DRAWING IS A CONTROLLED DOCUMENT.

DIMENSIONS: INCH	TOLERANCES UNLESS OTHERWISE SPECIFIED:	0 PLC ±	1 PLC ±	2 PLC ±	3 PLC ±	4 PLC ±	ANGLES ±	FINISH
		±	±	±	±	±	±	

DMN: C. ZHOU	02AUG2013		TE Connectivity
CHK: S. ZHAO	02AUG2013		
APVD:		NAME:	RIGHT ANGLE RECEPTACLE WITH LP AND SHORT END MODULAR MULTI-BEAM XLE
PRODUCT SPEC:	108-2292	SIZE:	A1
APPLICATION SPEC:	114-13251	CAGE CODE:	6450871
WEIGHT:		DRAWING NO:	6450871
MATERIAL:		CUSTOMER DRAWING:	

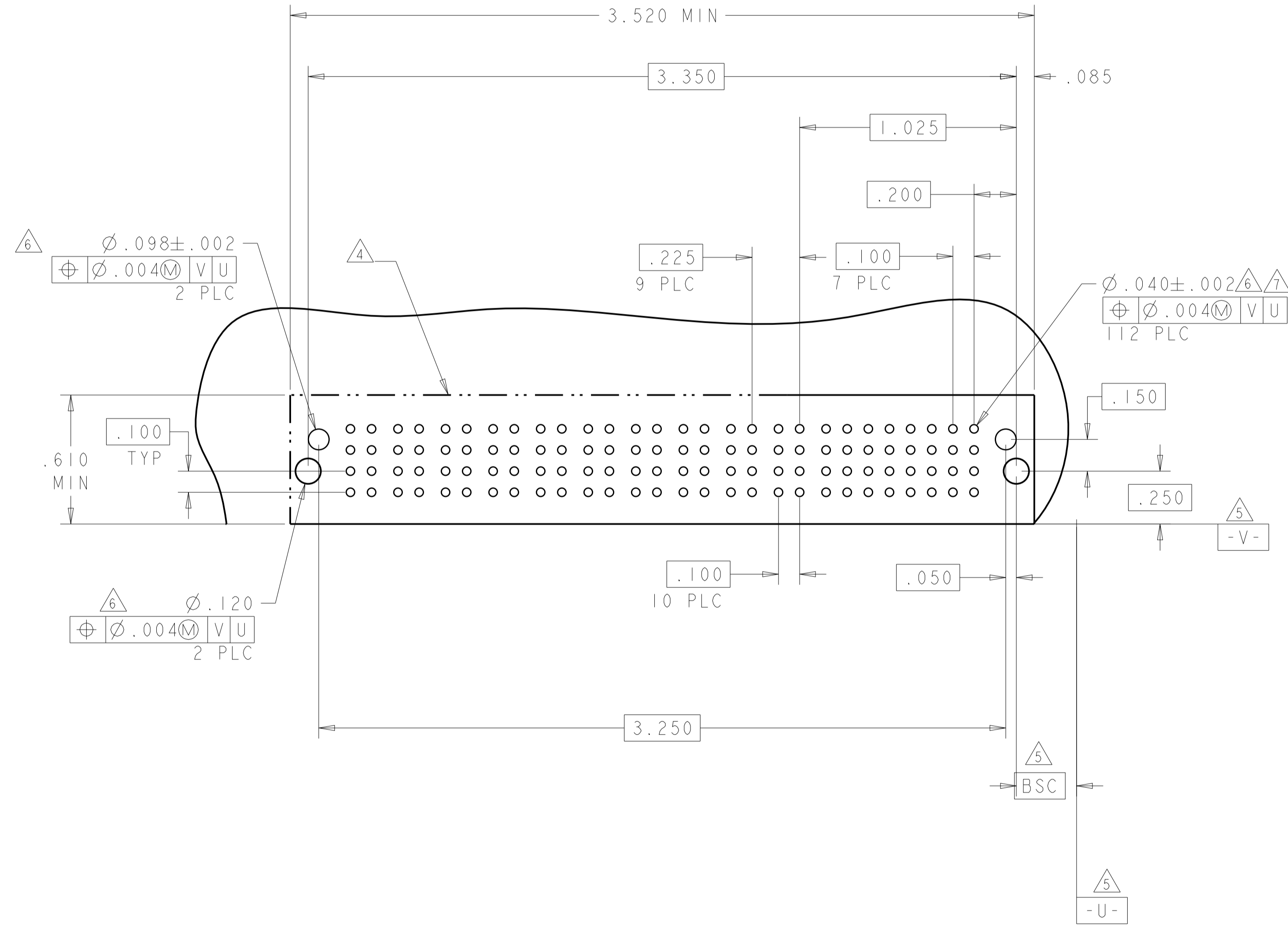
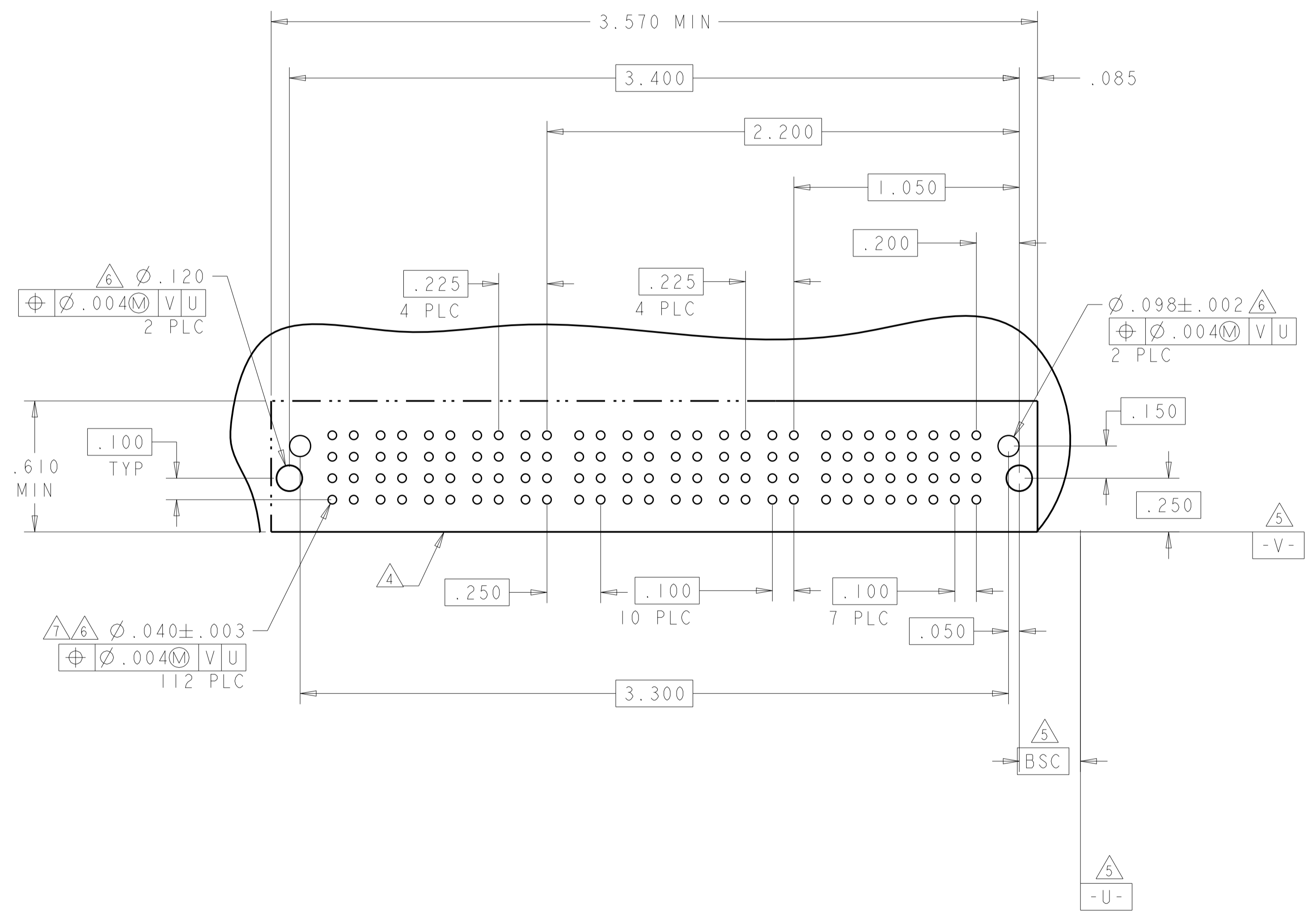
SCALE: 1:1 SHEET 4 OF 10 REV: D1

LOC	DIST	REV	DATE	BY	APPV
-	-	1	-	-	-
REVISIONS			DATE	BY	APPV
- SEE SHEET 1			-	-	-

PART NUMBER	ROWS	POWER										SIGNAL											
		P10	P9	P8	P7	P6	P5	P4	P3	P2	P1	8	7	6	5	4	3	2	1				
6450871-5	D	RM	RM	RM	RM	RM	RM	RM	RM	RM	RA	H	H	H	H	H	H	H	H				
	C											G	G	G	G	G	G	G	G	G	G	G	
	B											F	F	F	F	F	F	F	F	F	F	F	F
	A											E	E	E	E	E	E	E	E	E	E	E	E
32S + 10P		HD		HD		HD		HD		HD		HD		HD		HD		HD					

PART NUMBER	ROWS	POWER										SIGNAL											
		P10	P9	P8	P7	P6	P5	P4	P3	P2	P1	8	7	6	5	4	3	2	1				
6450871-6	D	RM	RM	RM	RM	RM	RM	RM	RM	RM	RA	H	H	H	H	H	H	H	H				
	C											G	G	G	G	G	G	G	G	G	G	G	
	B											F	F	F	F	F	F	F	F	F	F	F	F
	A											E	E	E	E	E	E	E	E	E	E	E	E
32S + 10P		HD		HD		HD		HD		HD		HD		HD		HD		HD					

Δ .225
8 PLC

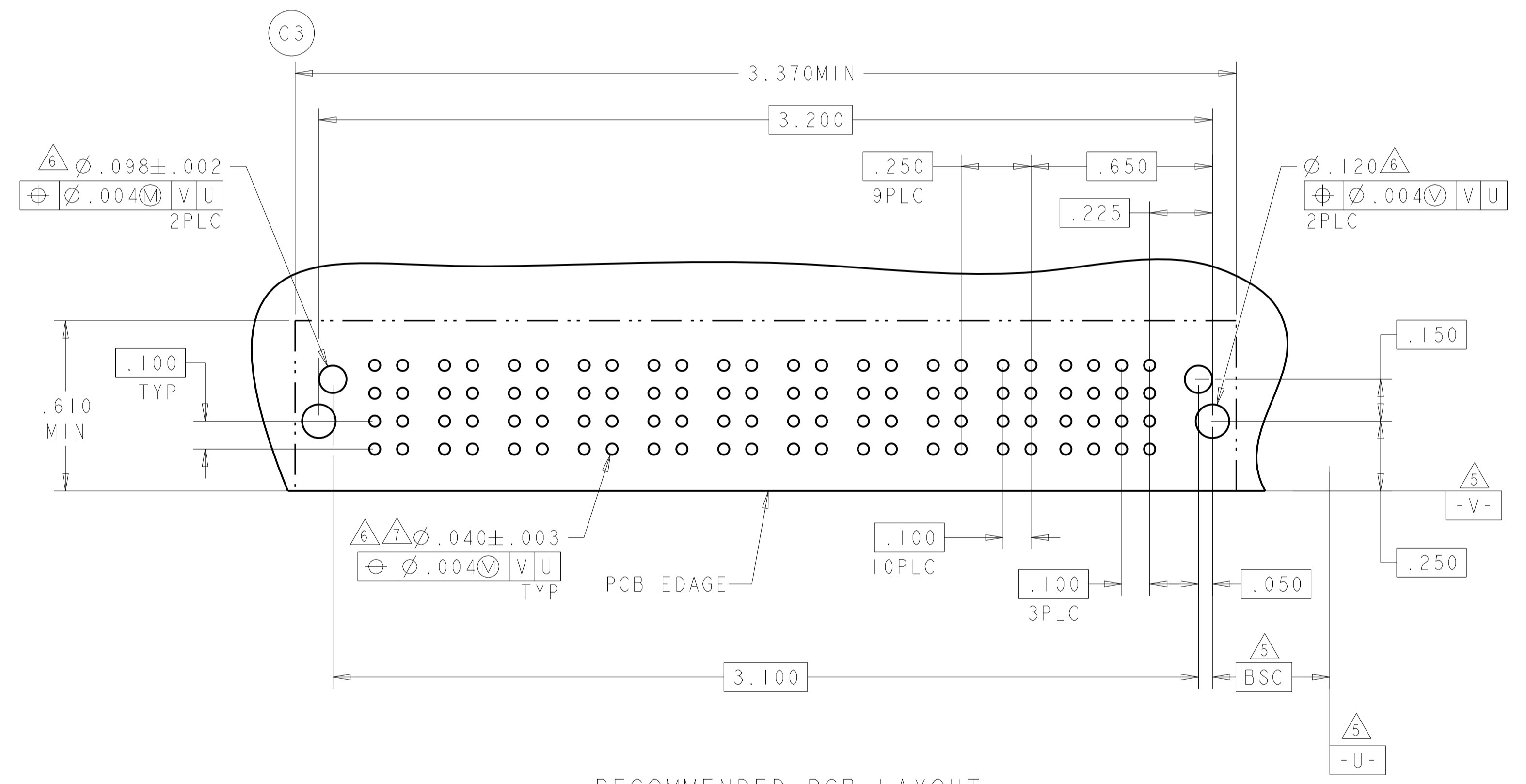
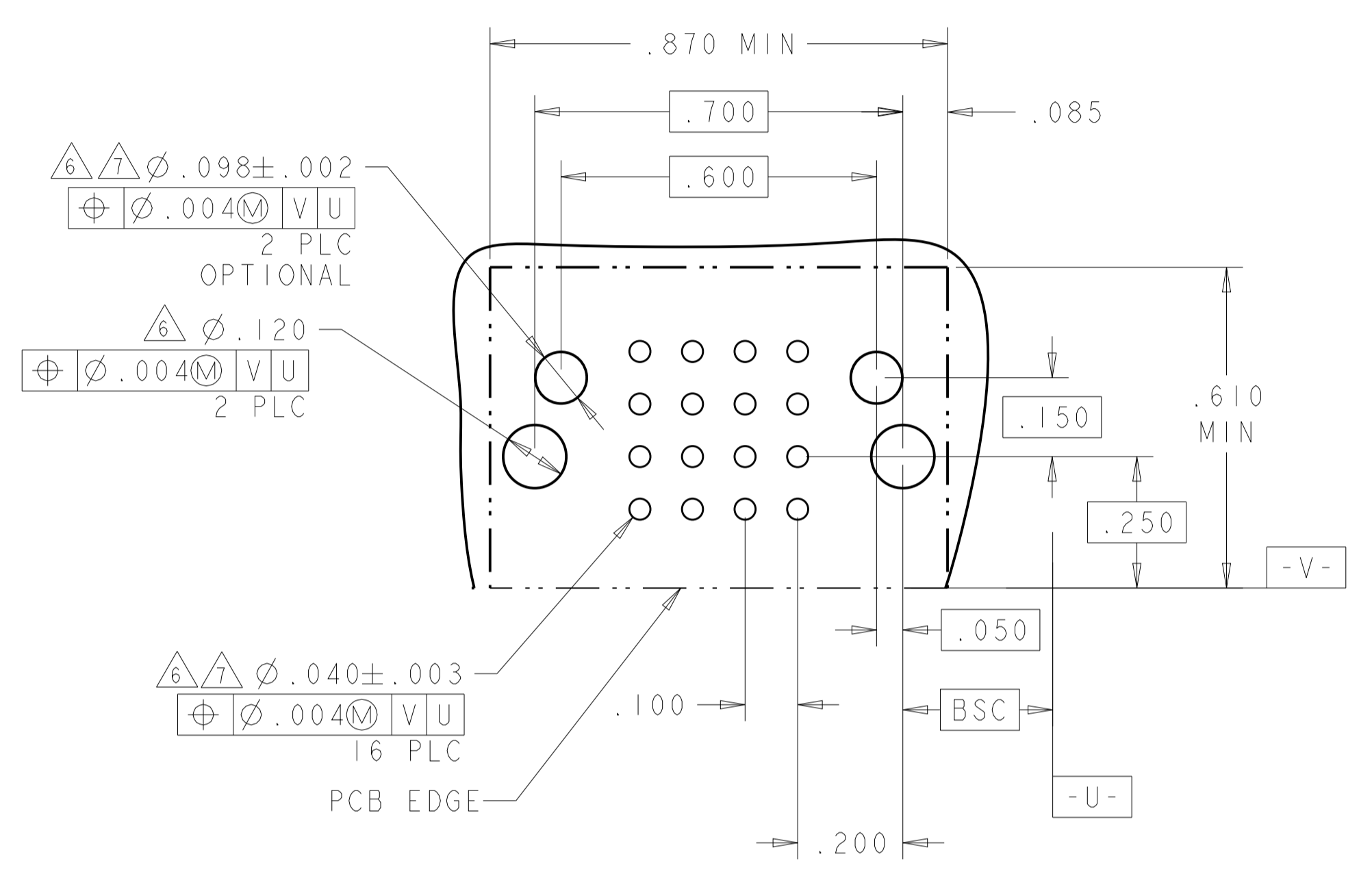


THIS DRAWING IS A CONTROLLED DOCUMENT.		OWN: C. ZHOU 02AUG2013	TE Connectivity
DIMENSIONS: INCH		CHK: S. ZHAO 02AUG2013	
TOLERANCES UNLESS OTHERWISE SPECIFIED:		APVD: -	NAME: RIGHT ANGLE RECEPTACLE WITH LP AND SHORT END MODULAR MULTI-BEAM XLE
0 PLC ± 1 PLC ± 2 PLC ± 3 PLC ±.0050 4 PLC ±.0020 ANGLES ±.020		PRODUCT SPEC: 108-2292	SIZE: A
MATERIAL: -		APPLICATION SPEC: 114-13251	CAGE CODE: 6450871
FINISH: -		WEIGHT: -	RESTRICTED TO: -
CUSTOMER DRAWING		SCALE: 1:1	SHEET 5 OF 10

LOC		DIST		REVISIONS			
				REV	DATE	BY	APPV
-	-	-	-	1	SEE SHEET 1	-	-

PART NUMBER	ROWS	SIGNAL			
		4	3	2	1
6450871-7	D	H	H	H	H
	C	G	G	G	G
	B	F	F	F	F
	A	E	E	E	E
16S					

PART NUMBER	ROWS	POWER										SIGNAL				
		P10	P9	P8	P7	P6	P5	P4	P3	P2	P1	4	3	2	1	
6450871-8	D	RM	RM	RM	RM	RM	RM	RM	RM	RM	RM	RM	H	H	H	H
	C	RM	RM	RM	RM	RM	RM	RM	RM	RM	RM	G	G	G	G	
	B	RM	RM	RM	RM	RM	RM	RM	RM	RM	RM	F	F	F	F	
	A	RM	RM	RM	RM	RM	RM	RM	RM	RM	RM	E	E	E	E	
16S + 10P																



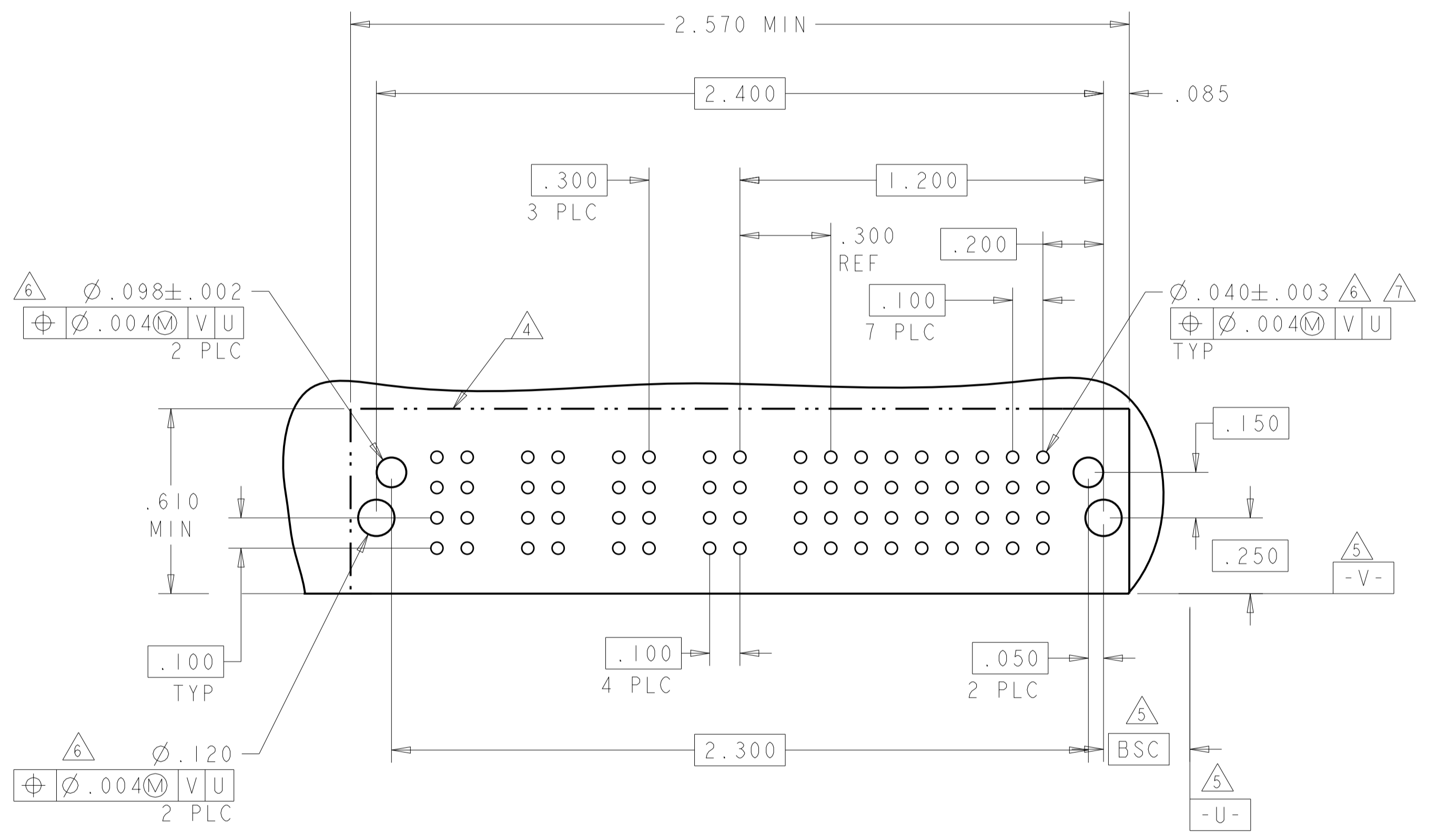
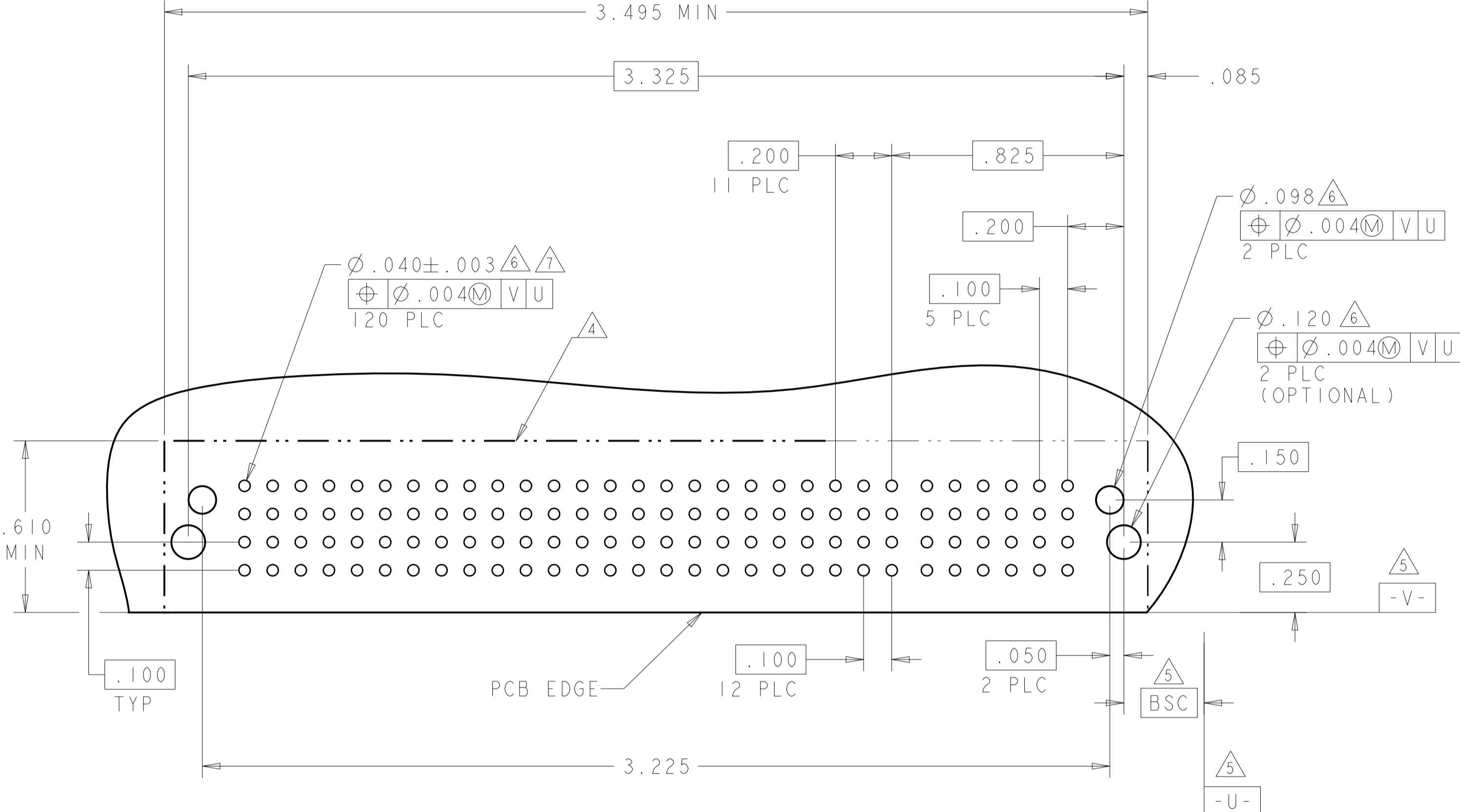
RECOMMENDED PCB LAYOUT

THIS DRAWING IS A CONTROLLED DOCUMENT.		OWN: C. ZHOU 02AUG2013	 TE Connectivity
DIMENSIONS: INCH		CHK: S. ZHAO 02AUG2013	
TOLERANCES UNLESS OTHERWISE SPECIFIED:		APVD: -	NAME: RIGHT ANGLE RECEPTACLE WITH LP AND SHORT END MODULAR MULTI-BEAM XLE
0 PLC ±.010		PRODUCT SPEC: 108-2292	SIZE: 114-13251
1 PLC ±.005		APPLICATION SPEC: 114-13251	WEIGHT: -
2 PLC ±.002		REVISIONS: -	CAGE CODE: -
3 PLC ±.002		DATE: -	DRAWING NO: 6450871
4 PLC ±.002		APPROVED: -	SCALE: 1:1
ANGLES: ±.020		CUSTOMER DRAWING: -	SHEET 6 OF 10
FINISH: -		REV: D	

LOC	DIST	REV	DATE	BY	APPV
-	-	1	SEE SHEET 1	-	-

PART NUMBER	ROWS	POWER										SIGNAL							
		P12	P11	P10	P9	P8	P7	P6	P5	P4	P3	P2	P1	6	5	4	3	2	1
I-6450871-1	D												H	H	H	H	H	H	
	C	RM	RM	RM	RM	RM	RM	RA	RA	RA	RA	RA	G	G	G	G	G	G	
	B												F	F	F	F	F	F	
	A	HD											E	E	E	E	E	E	
24S + 12HDP																			

PART NUMBER	ROWS	POWER				SIGNAL							
		P4	P3	P2	P1	8	7	6	5	4	3	2	1
I-6450871-2	D					H	H	H	H	H	H	H	H
	C	RM	RM	RM	RM	G	G	G	G	G	G	G	G
	B					F	F	F	F	F	F	F	F
	A	HD				E	E	E	E	E	E	E	E
32S + 4ACP													

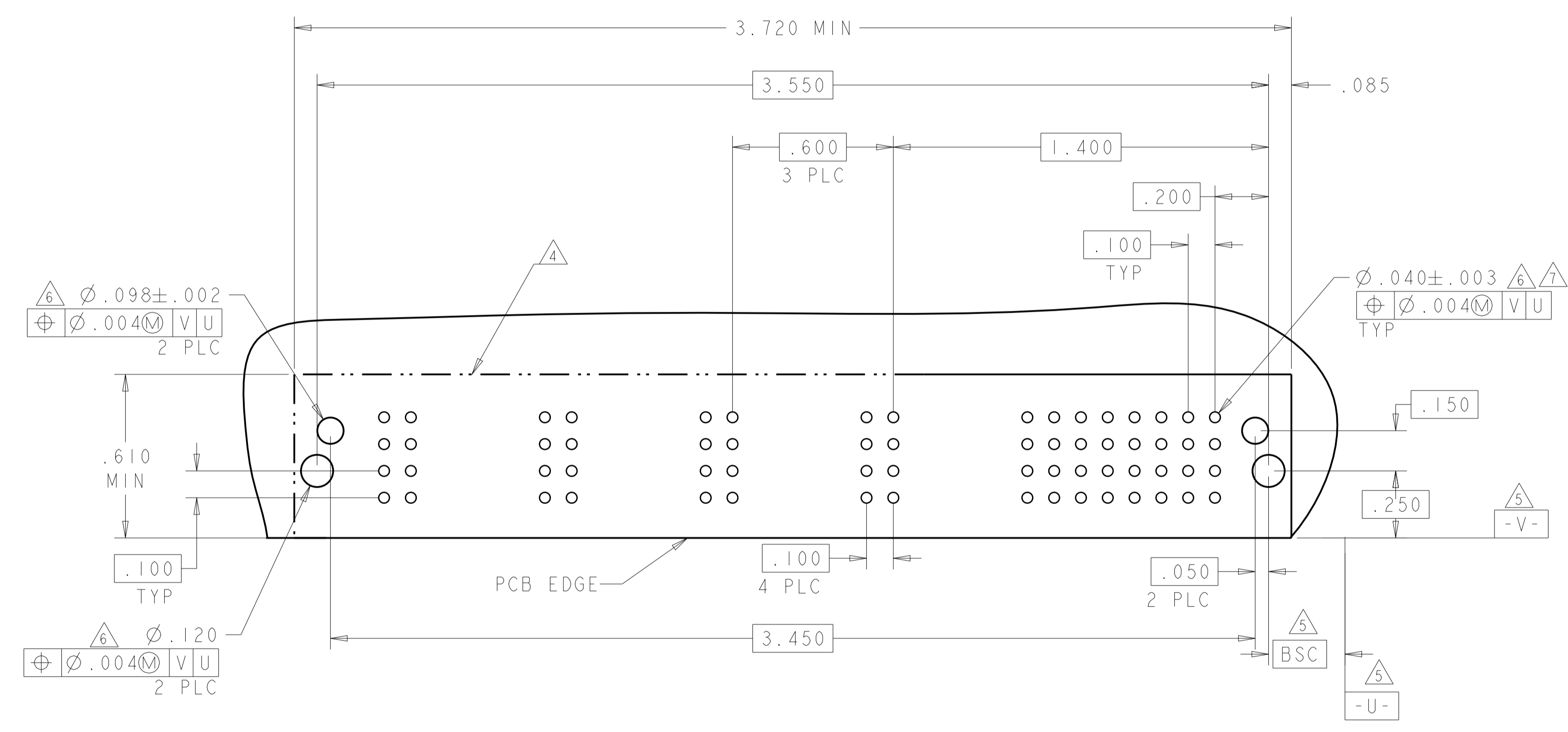


THIS DRAWING IS A CONTROLLED DOCUMENT.		OWN: C. ZHOU 02AUG2013	TE Connectivity
DIMENSIONS: INCH		CHK: S. ZHAO 02AUG2013	
TOLERANCES UNLESS OTHERWISE SPECIFIED:		APVD: -	NAME: RIGHT ANGLE RECEPTACLE WITH LP AND SHORT END MODULAR MULTI-BEAM XLE
0 PLC ± 2 PLC ± 3 PLC ± 4 PLC ±0020 ANGLES ±0.20°		PRODUCT SPEC: 108-2292	SIZE: A100779
MATERIAL: -		APPLICATION SPEC: 114-13251	DRAWING NO: C=6450871
FINISH: -		WEIGHT: -	RESTRICTED TO: -
CUSTOMER DRAWING		SCALE: 1:1	SHEET: 8 OF 10

LOC		DIST		REVISIONS			
P	LTN	DESCRIPTION	DATE	DNM	APVD		
-	-	SEE SHEET 1	-	-	-		

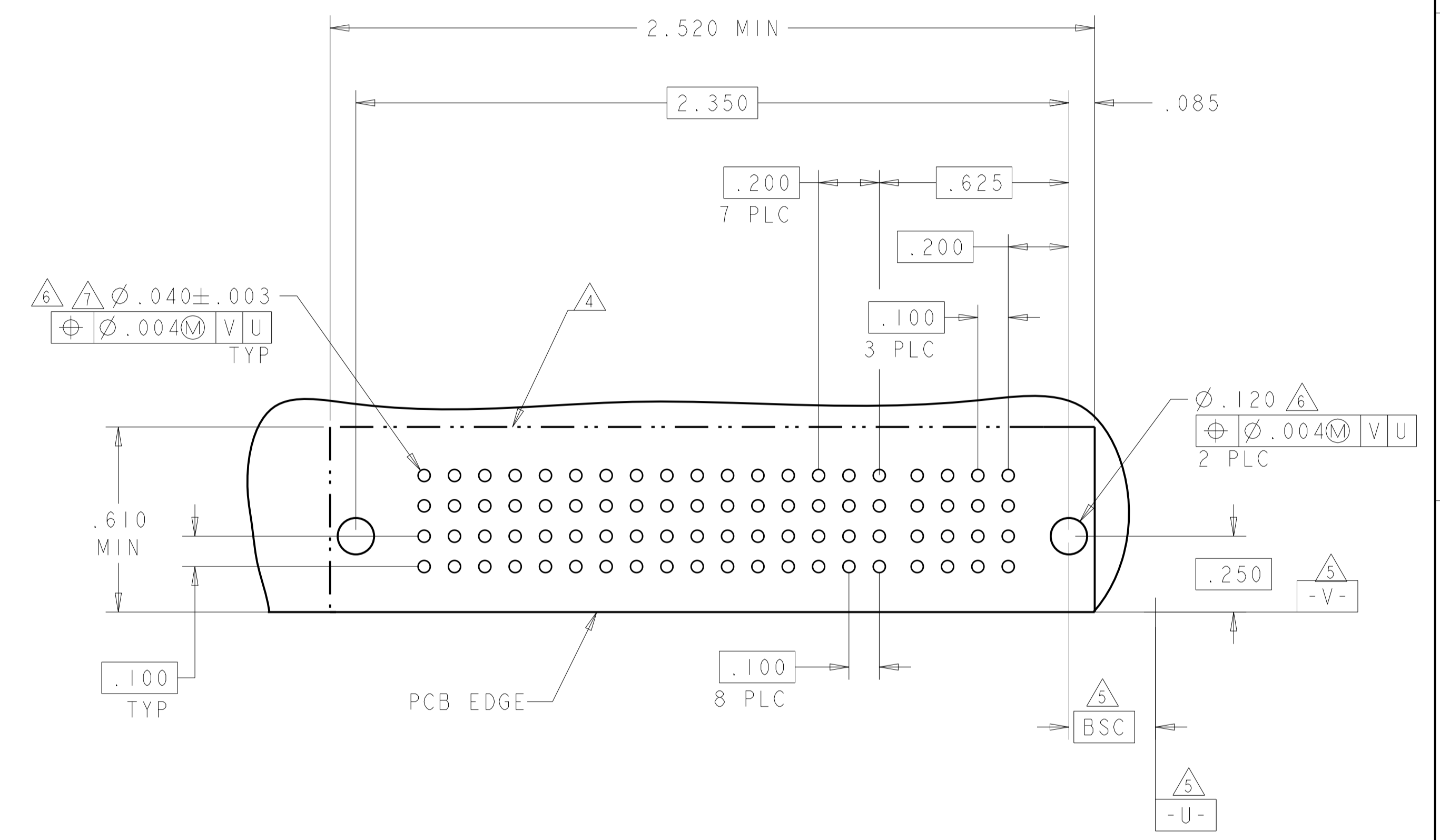
PART NUMBER	ROWS	POWER								SIGNAL									
		P8	P7	P6	P5	P4	P3	P2	P1	8	7	6	5	4	3	2	1		
I-6450871-3	D	RM	RM	RM	RM	RM	RM	RM	H	H	H	H	H	H	H	H			
	C								G	G	G	G	G	G	G	G	G	G	
	B								F	F	F	F	F	F	F	F	F	F	F
	A								E	E	E	E	E	E	E	E	E	E	E

NO CONTACTS LOADED



PART NUMBER	ROWS	POWER								SIGNAL						
		P8	P7	P6	P5	P4	P3	P2	P1	4	3	2	1			
I-6450871-4	D	RM	RM	RM	RM	RM	RM	RM	RM	H	H	H	H			
	C									G	G	G	G	G	G	G
	B									F	F	F	F	F	F	F
	A									E	E	E	E	E	E	E

16S + 8HDP

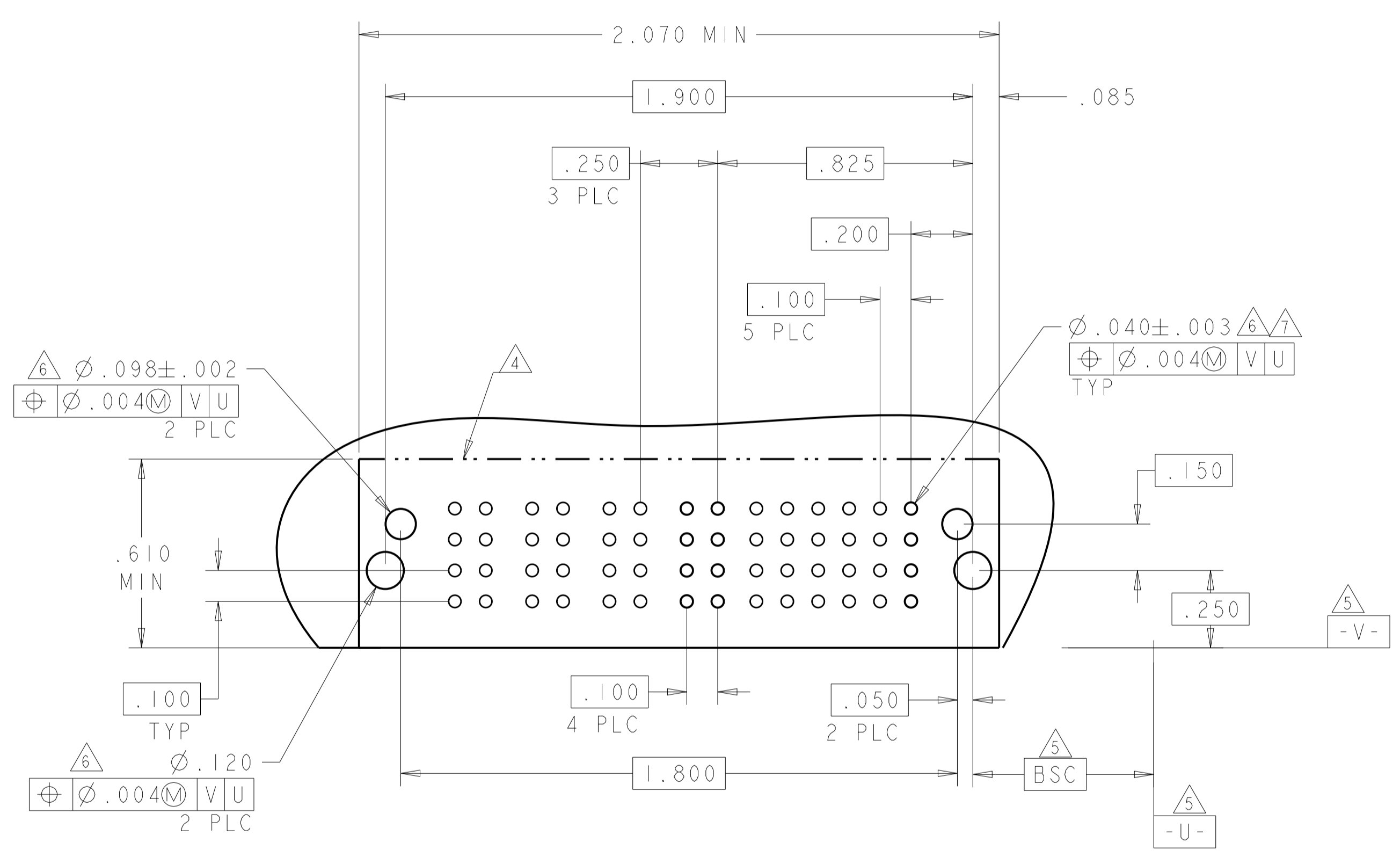


THIS DRAWING IS A CONTROLLED DOCUMENT.		DNM C. ZHOU CHK S. ZHAO	02AUG2013 02AUG2013	TE Connectivity
DIMENSIONS: INCH	TOLERANCES UNLESS OTHERWISE SPECIFIED:	APVD	NAME	
0 PLC ± 1 PLC ± 2 PLC ± 3 PLC ±.0050 4 PLC ±.0020 ANGLES ±.020	PRODUCT SPEC 108-2292 APPLICATION SPEC 114-13251 WEIGHT CUSTOMER DRAWING	PRODUCT SPEC 108-2292 APPLICATION SPEC 114-13251 WEIGHT CUSTOMER DRAWING	NAME RIGHT ANGLE RECEPTACLE WITH LP AND SHORT END MODULAR MULTI-BEAM XLE SIZE A100779 CAGE CODE C=6450871	RESTRICTED TO SCALE 1:1 SHEET 9 OF 10 REV D1

LOC		DIST		REVISIONS			
P	LTN	DESCRIPTION	DATE	DMN	APVD		
-	-	SEE SHEET 1	-	-	-		

PART NUMBER	ROWS	POWER				SIGNAL					
		P4	P3	P2	P1	6	5	4	3	2	1
1-6450871-5	D	RM	RM	RM	RM	H	H	H	H	H	H
	C					G	G	G	G	G	G
	B					F	F	F	F	F	F
	A					E	E	E	E	E	E

24S + 4P



THIS DRAWING IS A CONTROLLED DOCUMENT.		DMN C. ZHOU CHK S. ZHAO	02AUG2013 02AUG2013	TE Connectivity	
DIMENSIONS: INCH		TOLERANCES UNLESS OTHERWISE SPECIFIED:			
		0 PLC ±	1 PLC ±	PRODUCT SPEC	
		2 PLC ±	3 PLC ±	108-2292	
		4 PLC ±.0050	5 PLC ±.0020	APPLICATION SPEC	
		ANGLES ±.2°		114-13251	
MATERIAL		FINISH		RESTRICTED TO	
				A100779C=6450871	
		CUSTOMER DRAWING		SCALE 1:1 SHEET 10 OF 10 REV D1	



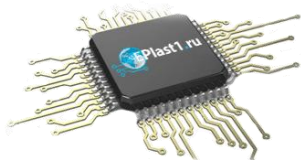
Компания «ЭлектроПласт» предлагает заключение долгосрочных отношений при поставках импортных электронных компонентов на взаимовыгодных условиях!

Наши преимущества:

- Оперативные поставки широкого спектра электронных компонентов отечественного и импортного производства напрямую от производителей и с крупнейших мировых складов;
- Поставка более 17-ти миллионов наименований электронных компонентов;
- Поставка сложных, дефицитных, либо снятых с производства позиций;
- Оперативные сроки поставки под заказ (от 5 рабочих дней);
- Экспресс доставка в любую точку России;
- Техническая поддержка проекта, помощь в подборе аналогов, поставка прототипов;
- Система менеджмента качества сертифицирована по Международному стандарту ISO 9001;
- Лицензия ФСБ на осуществление работ с использованием сведений, составляющих государственную тайну;
- Поставка специализированных компонентов (Xilinx, Altera, Analog Devices, Intersil, Interpoint, Microsemi, Aeroflex, Peregrine, Syfer, Eurofarad, Texas Instrument, Miteq, Cobham, E2V, MA-COM, Hittite, Mini-Circuits, General Dynamics и др.);

Помимо этого, одним из направлений компании «ЭлектроПласт» является направление «Источники питания». Мы предлагаем Вам помощь Конструкторского отдела:

- Подбор оптимального решения, техническое обоснование при выборе компонента;
- Подбор аналогов;
- Консультации по применению компонента;
- Поставка образцов и прототипов;
- Техническая поддержка проекта;
- Защита от снятия компонента с производства.



Как с нами связаться

Телефон: 8 (812) 309 58 32 (многоканальный)

Факс: 8 (812) 320-02-42

Электронная почта: org@eplast1.ru

Адрес: 198099, г. Санкт-Петербург, ул. Калинина, дом 2, корпус 4, литера А.