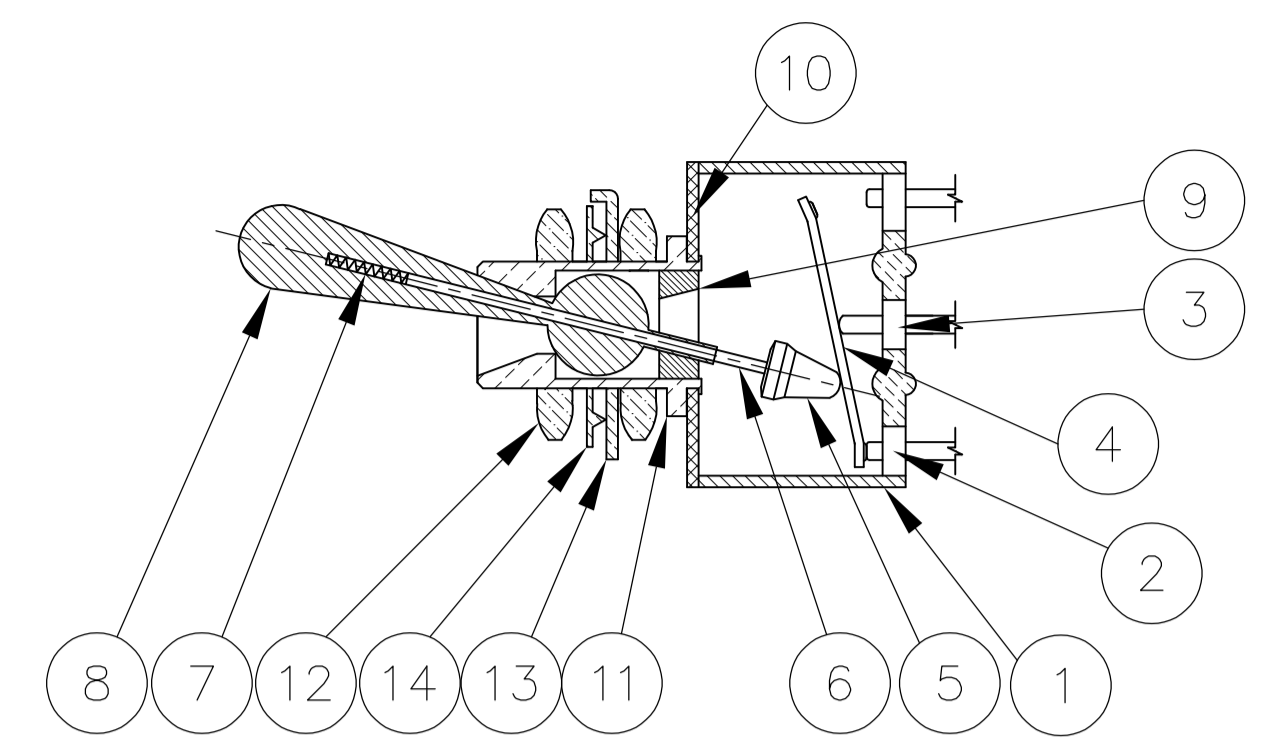


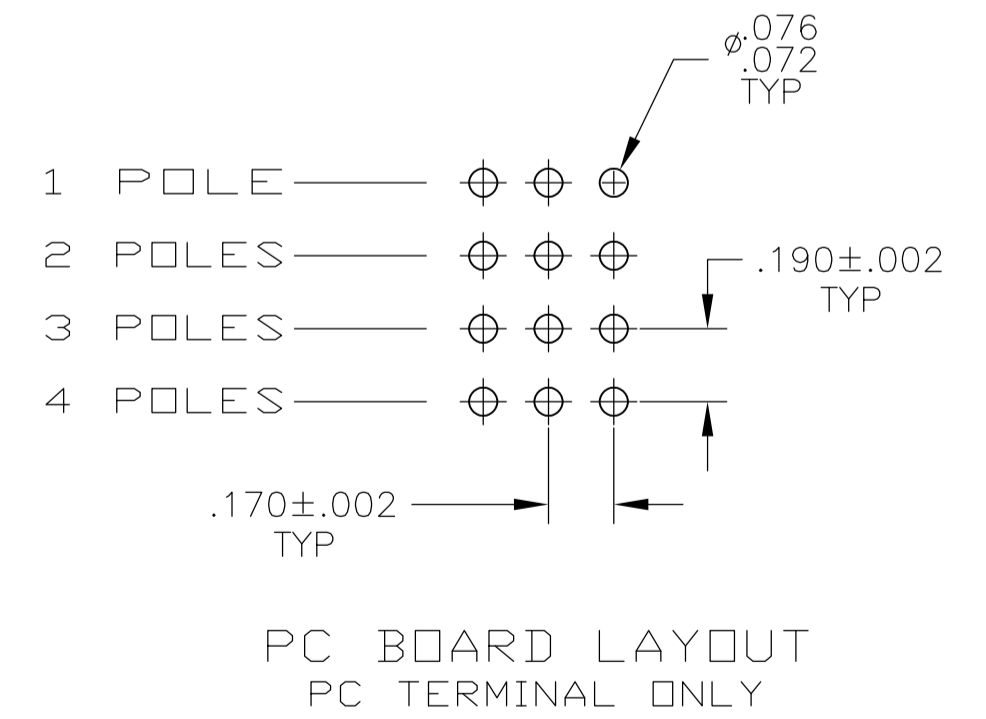
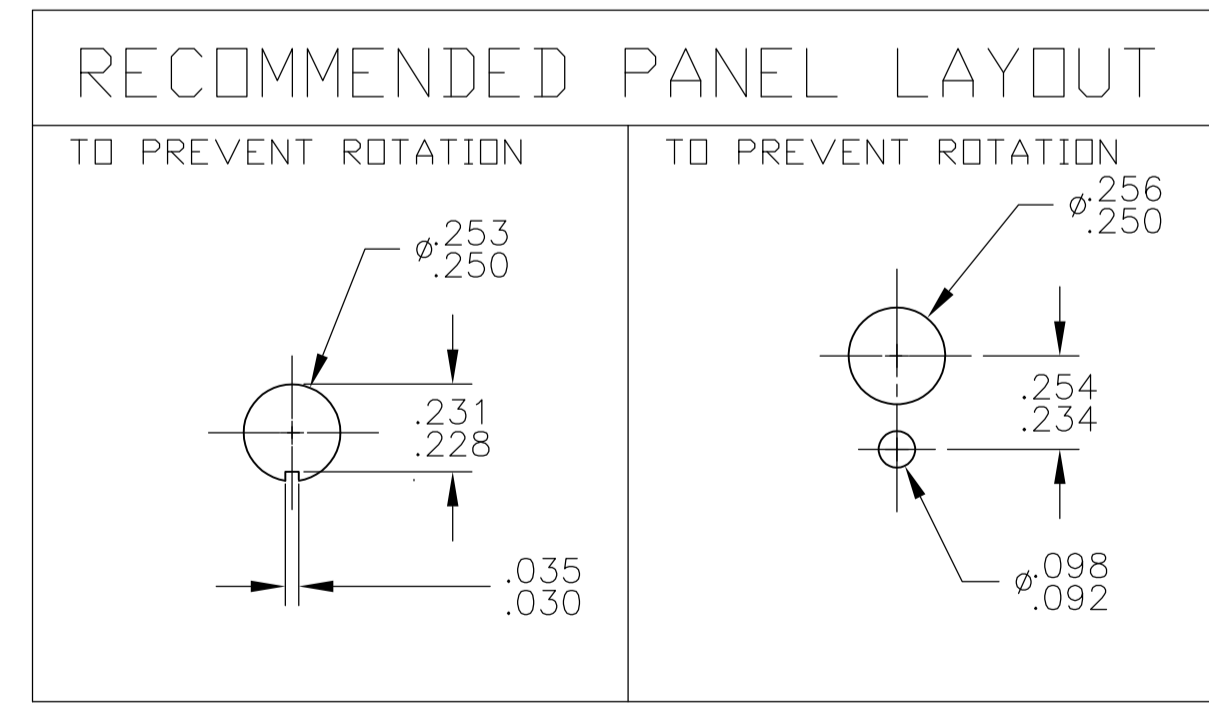
| Materials | | | |
|-----------|---------------------------|------------------------------|---|
| No. | Component name | Base material | Finish |
| 1 | Housing | High temp, UL 94V-0, green | |
| 2 | End terminal | silver clad copper alloy | 5 microinches min. gold |
| 3 | Center terminal | copper alloy | 5 microinches min. gold |
| 4 | Rocker contact | silver clad copper alloy | 5 microinches min. gold |
| 5 | Actuator | Phenol resin, UL94 HB, black | |
| 6 | Plunger | stainless steel | |
| 7 | Spring | music wire | |
| 8 | Toggle | brass | chrome or nickel |
| 9 | Retainer | Polyamide, UL94 HB, black | |
| 10 | Frame | cold rolled steel | zinc or nickel |
| 11 | Bushing | brass | 100 microinches min. nickel over 10 microinches min. copper |
| 12 | Mounting nuts (2) | brass | 200 microinches min. bright nickel |
| 13 | Locating ring | cold rolled steel | zinc or nickel |
| 14 | Internal tooth lockwasher | steel | zinc or nickel |



NOT TO SCALE

| Specifications-see note 3 | | | | |
|------------------------------------|--------------------------------|-------------------|-------------------|------------------|
| Current rating UL & CSA | 6A @ 125 VAC (resistive) | | | |
| | 3A @ 250 VAC (resistive) | | | |
| | 4A @ 28 VDC (resistive) | | | |
| Termination resistance | 20 milliohms max @ 2-4 VDC, 1A | | | |
| Insulation resistance | 1,000 megohms min. | | | |
| Withstanding voltage | 1,000 VAC | | | |
| Travel | 24 +/- 6 degrees | | | |
| Actuation force | .05 to 1.5 kgf | | | |
| Operating temperature | -20C to +85C | | | |
| Storage temperature | -40C to +85C | | | |
| Contact timing | break before make | | | |
| Terminal seal | epoxy or insert molded | | | |
| Durability | Parameter | 2 Position | 3 Position | Momentary |
| | mechanical (no load) | 150,000 | 100,000 | 80,000 |
| | 250 VAC (3A resistive) | 80,000 | 60,000 | 60,000 |
| | 125 VAC (6A resistive) | 80,000 | 60,000 | 60,000 |
| | 28 VDC (4A resistive) | 60,000 | 50,000 | 40,000 |

| Part Number | Alco Model | Poles | Throws | Function | Terminal | | | | Comments |
|-------------|------------|-------|--------|---------------|----------|----------------------|-----------|----------------------|----------|
| 4-1437558-8 | MTA406PPC | 4 | 2 | ON OFF ON | PC | 2-3, 5-6, 8-9, 11-12 | Off | 2-1, 5-4, 8-7, 11-10 | |
| 4-1437558-7 | MTA406PAPC | 2 | 3 | ON ON ON | PC | 5-6, 11-12 | 5-3, 11-9 | 5-1, 11-7 | note 7 |
| 4-1437558-6 | MTA406PA | 2 | 3 | ON ON ON | Wire lug | 5-6, 11-12 | 5-3, 11-9 | 5-1, 11-7 | note 7 |
| 4-1437558-5 | MTA406P | 4 | 2 | ON OFF ON | Wire lug | 2-3, 5-6, 8-9, 11-12 | Off | 2-1, 5-4, 8-7, 11-10 | |
| 4-1437558-4 | MTA406NPC | 4 | 2 | ON ON | PC | 2-3, 5-6, 8-9, 11-12 | --- | 2-1, 5-4, 8-7, 11-10 | |
| 4-1437558-3 | MTA406N | 4 | 2 | ON ON | Wire lug | 2-3, 5-6, 8-9, 11-12 | --- | 2-1, 5-4, 8-7, 11-10 | |
| 4-1437558-2 | MTA306HPC | 3 | 2 | ON OFF(ON) | PC | 2-3, 5-6, 8-9 | Off | 2-1, 5-4, 8-7 | |
| 4-1437558-1 | MTA306H | 3 | 2 | ON OFF(ON) | Wire lug | 2-3, 5-6, 8-9 | Off | 2-1, 5-4, 8-7 | |
| 4-1437558-0 | MTA306FPC | 3 | 2 | ON (ON) | PC | 2-3, 5-6, 8-9 | --- | 2-1, 5-4, 8-7 | |
| 3-1437558-9 | MTA306F | 3 | 2 | ON (ON) | Wire lug | 2-3, 5-6, 8-9 | --- | 2-1, 5-4, 8-7 | |
| 3-1437558-8 | MTA306EPC | 3 | 2 | ON OFF ON | PC | 2-3, 5-6, 8-9 | Off | 2-1, 5-4, 8-7 | |
| 3-1437558-7 | MTA306E | 3 | 2 | ON OFF ON | Wire lug | 2-3, 5-6, 8-9 | Off | 2-1, 5-4, 8-7 | |
| 3-1437558-6 | MTA306DPC | 3 | 2 | ON ON | PC | 2-3, 5-6, 8-9 | --- | 2-1, 5-4, 8-7 | |
| 3-1437558-5 | MTA306D | 3 | 2 | ON ON | Wire lug | 2-3, 5-6, 8-9 | --- | 2-1, 5-4, 8-7 | |
| 3-1437558-4 | MTA206TPC | 2 | 2 | ON OFF(ON) | PC | 2-3, 5-6 | OFF | 2-1, 5-4 | |
| 3-1437558-3 | MTA206TA | 1 | 3 | ON ON (ON) | Wire lug | 5-6 | 5-3 | 5-1 | note 6 |
| 3-1437558-2 | MTA206T | 2 | 2 | ON OFF(ON) | Wire lug | 2-3, 5-6 | OFF | 2-1, 5-4 | |
| 3-1437558-1 | MTA206SPC | 2 | 2 | (ON) OFF (ON) | PC | 2-3, 5-6 | OFF | 2-1, 5-4 | |
| 3-1437558-0 | MTA206SA | 1 | 3 | (ON) ON (ON) | Wire lug | 5-6 | 5-3 | 5-1 | note 6 |
| 2-1437558-9 | MTA206S | 2 | 2 | (ON) OFF (ON) | Wire lug | 2-3, 5-6 | OFF | 2-1, 5-4 | |
| 2-1437558-8 | MTA206RPC | 2 | 2 | ON (ON) | PC | 2-3, 5-6 | --- | 2-1, 5-4 | |
| 2-1437558-7 | MTA206R | 2 | 2 | ON (ON) | Wire lug | 2-3, 5-6 | --- | 2-1, 5-4 | |
| 2-1437558-5 | MTA206PPC | 2 | 2 | ON OFF ON | PC | 2-3, 5-6 | OFF | 2-1, 5-4 | |
| 2-1437558-4 | MTA206PAPC | 1 | 3 | ON ON ON | PC | 5-6 | 5-3 | 5-1 | note 6 |
| 2-1437558-3 | MTA206PA | 1 | 3 | ON ON ON | Wire lug | 5-6 | 5-3 | 5-1 | note 6 |
| 2-1437558-2 | MTA206P | 2 | 2 | ON OFF ON | Wire lug | 2-3, 5-6 | OFF | 2-1, 5-4 | |
| 2-1437558-1 | MTA206NPC | 2 | 2 | ON ON | PC | 2-3, 5-6 | --- | 2-1, 5-4 | |
| 2-1437558-0 | MTA206N | 2 | 2 | ON ON | Wire lug | 2-3, 5-6 | --- | 2-1, 5-4 | |
| 1-1437558-9 | MTA106HPC | 1 | 2 | ON OFF(ON) | PC | 2-3 | OFF | 2-1 | |
| 1-1437558-8 | MTA106H | 1 | 2 | ON OFF(ON) | Wire lug | 2-3 | OFF | 2-1 | |
| 1-1437558-7 | MTA106GPC | 1 | 2 | (ON) OFF (ON) | PC | 2-3 | OFF | 2-1 | |
| 1-1437558-6 | MTA106G | 1 | 2 | (ON) OFF (ON) | Wire lug | 2-3 | OFF | 2-1 | |
| 1-1437558-5 | MTA106FPC | 1 | 2 | ON (ON) | PC | 2-3 | --- | 2-1 | |
| 1-1437558-4 | MTA106F | 1 | 2 | ON (ON) | Wire lug | 2-3 | --- | 2-1 | |
| 1-1437558-3 | MTA106EPC | 1 | 2 | ON OFF ON | PC | 2-3 | Off | 2-1 | |
| 1-1437558-2 | MTA106E | 1 | 2 | ON OFF ON | Wire lug | 2-3 | Off | 2-1 | |
| 1-1437558-1 | MTA106DPC | 1 | 2 | ON ON | PC | 2-3 | --- | 2-1 | |
| 1571616-1 | MTA106DUL | 1 | 2 | ON ON | Wire lug | 2-3 | --- | 2-1 | |
| 1-1437558-0 | MTA106D | 1 | 2 | ON ON | Wire lug | 2-3 | --- | 2-1 | |



- NOTES:
 1. TERMINAL NUMBERS ARE FOR REFERENCE ONLY AND DO NOT APPEAR ON THE SWITCHES.
 2. EACH SWITCH SUPPLIED WITH THE FOLLOWING MOUNTING HARDWARE:
 (2) 1/4-40 UNS-2B HEX NUTS
 (1) INTERNAL TOOTH LOCKWASHER
 (1) LOCATING RING

5. WIRE LUG CONTACTS WILL ACCEPT 2 #20 AWG SOLID OR STRANDED WIRES.
 6. CUSTOMER INSTALLED EXTERNAL JUMPER BETWEEN TERMINALS 2 AND 4 REQUIRED FOR 1 POLE 3 THROW FUNCTION.
 7. CUSTOMER INSTALLED EXTERNAL JUMPERS BETWEEN TERMINALS 2 AND 4 AS WELL AS 8 AND 10 REQUIRED FOR 2 POLE 3 THROW FUNCTION.

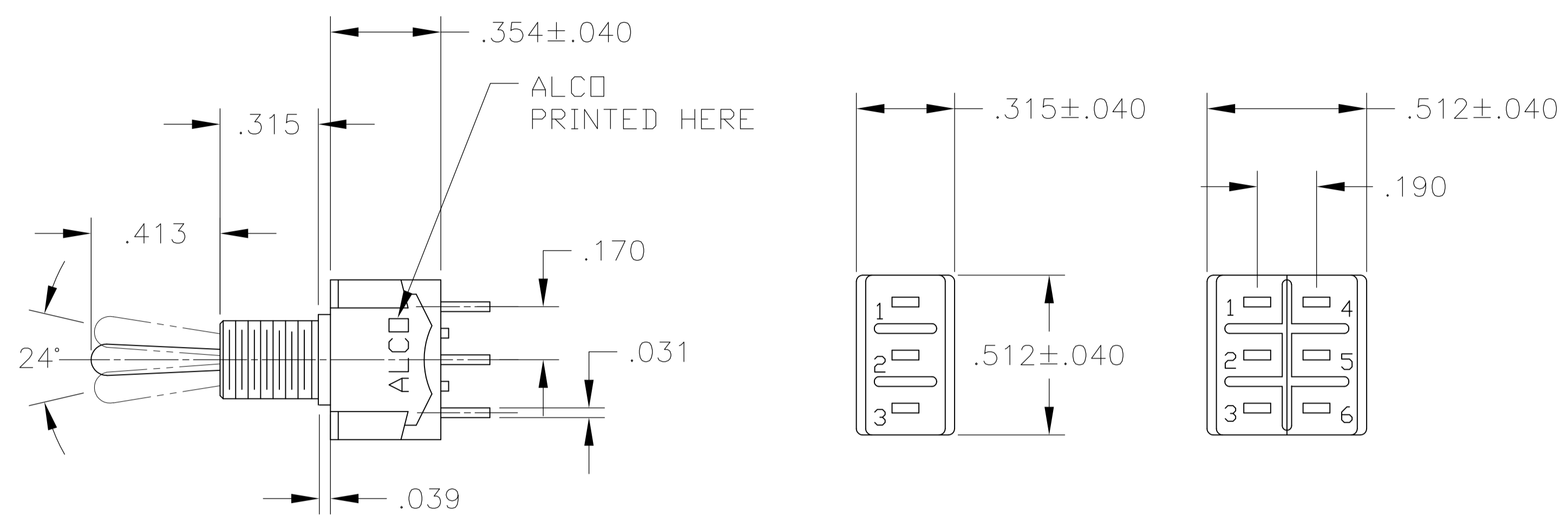
8 OBSOLETE

THIS DRAWING IS A CONTROLLED DOCUMENT. DIM M BINNER 29DEC03
 DIM M BINNER 29DEC03
 DIM M ZITTO 29DEC03
 DIM M ZITTO 29DEC03

TE Connectivity

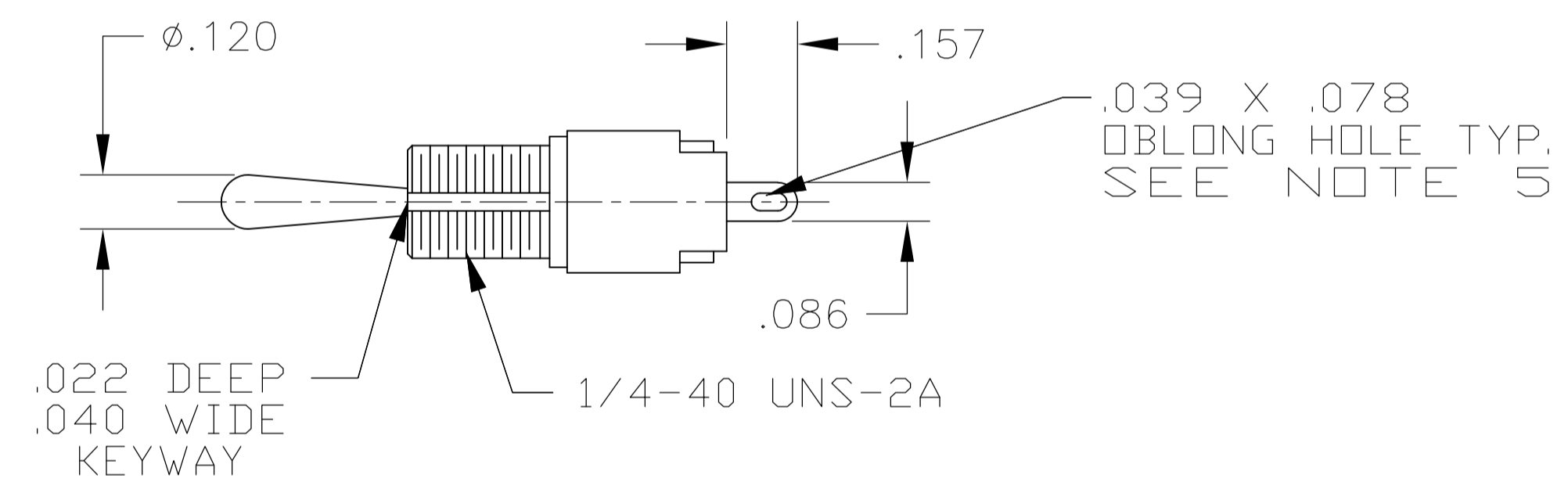
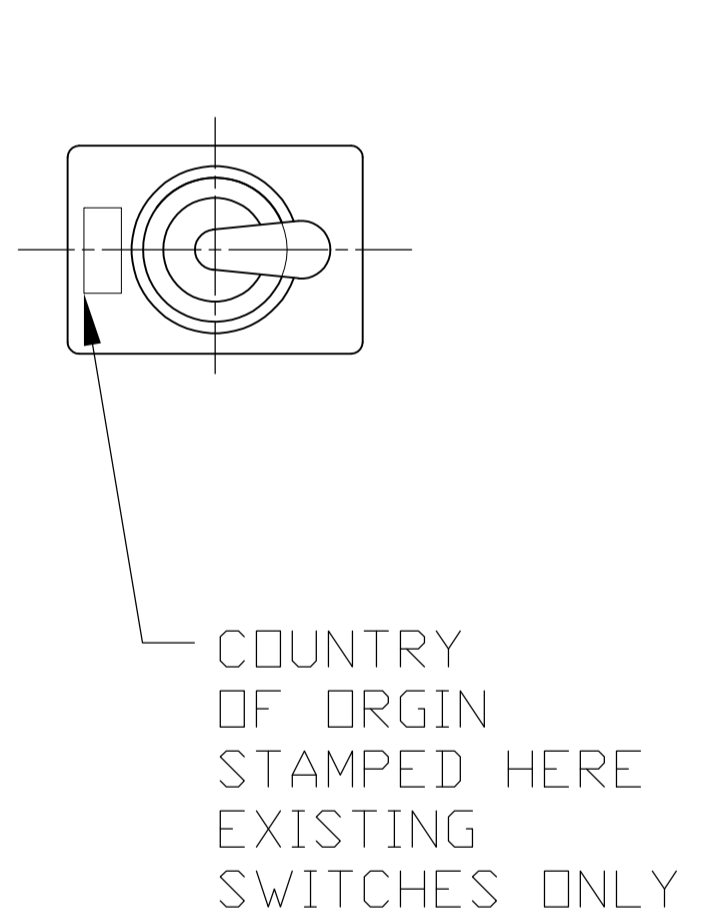
TOGGLE SWITCH, MTA SERIES
 VERTICAL MOUNT

SCALE 2:1 SHEET 1 OF 3 REV E3

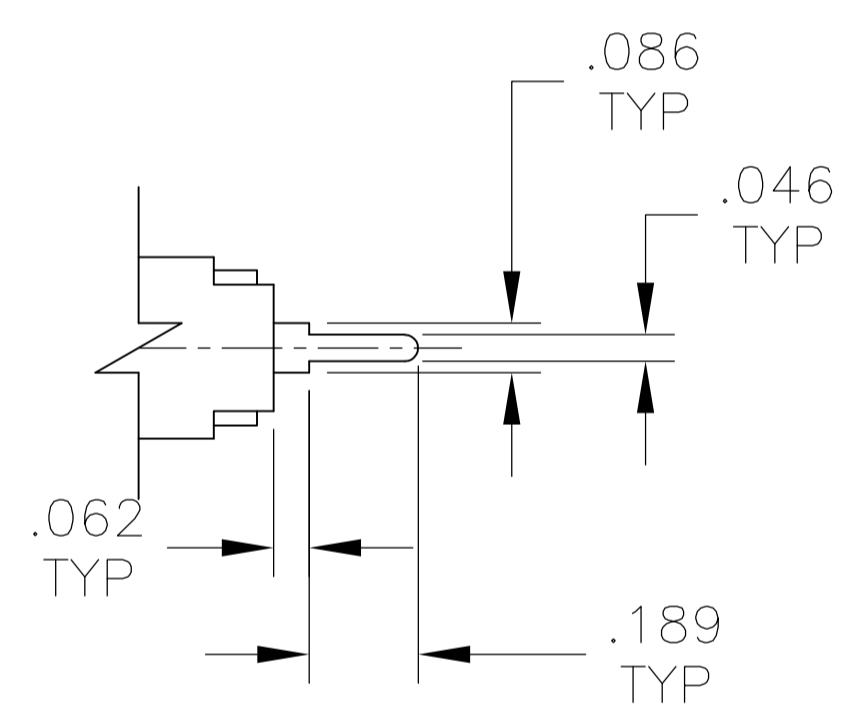


MTA-106

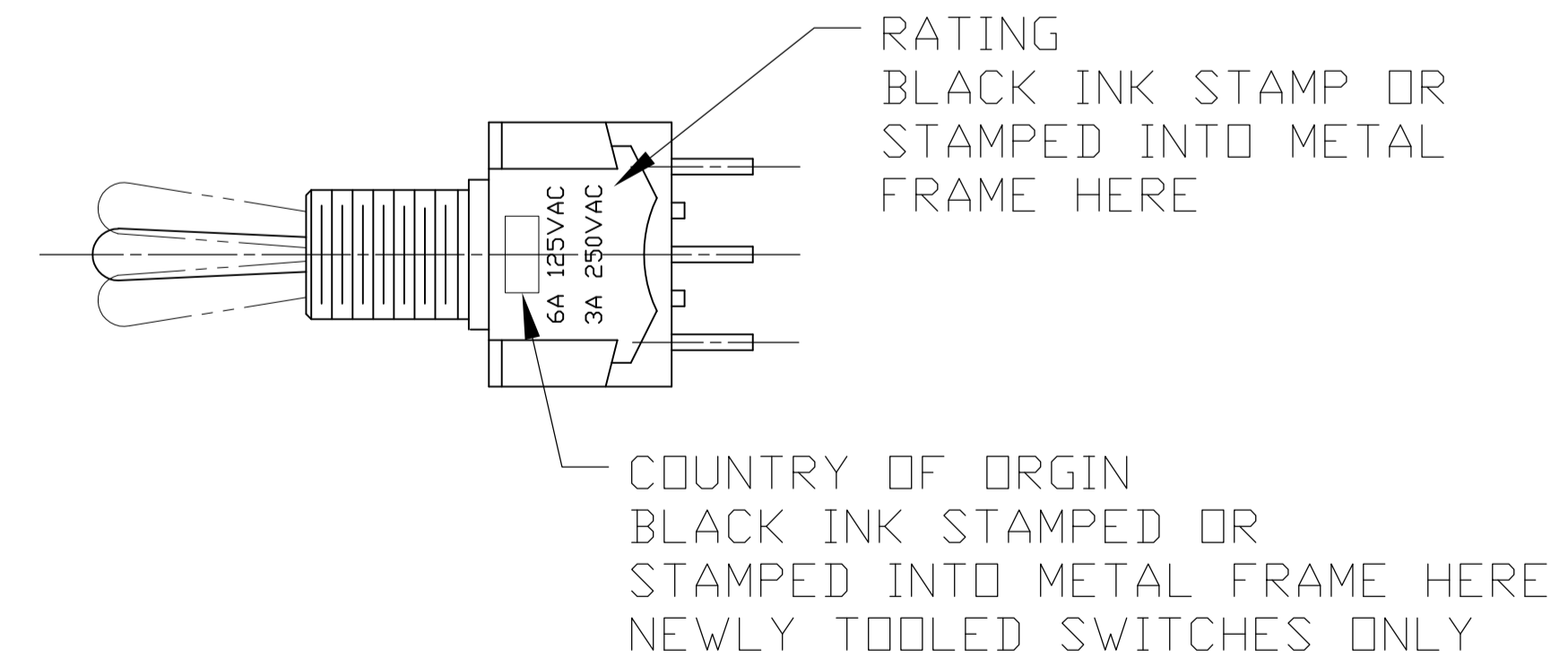
MTA-206



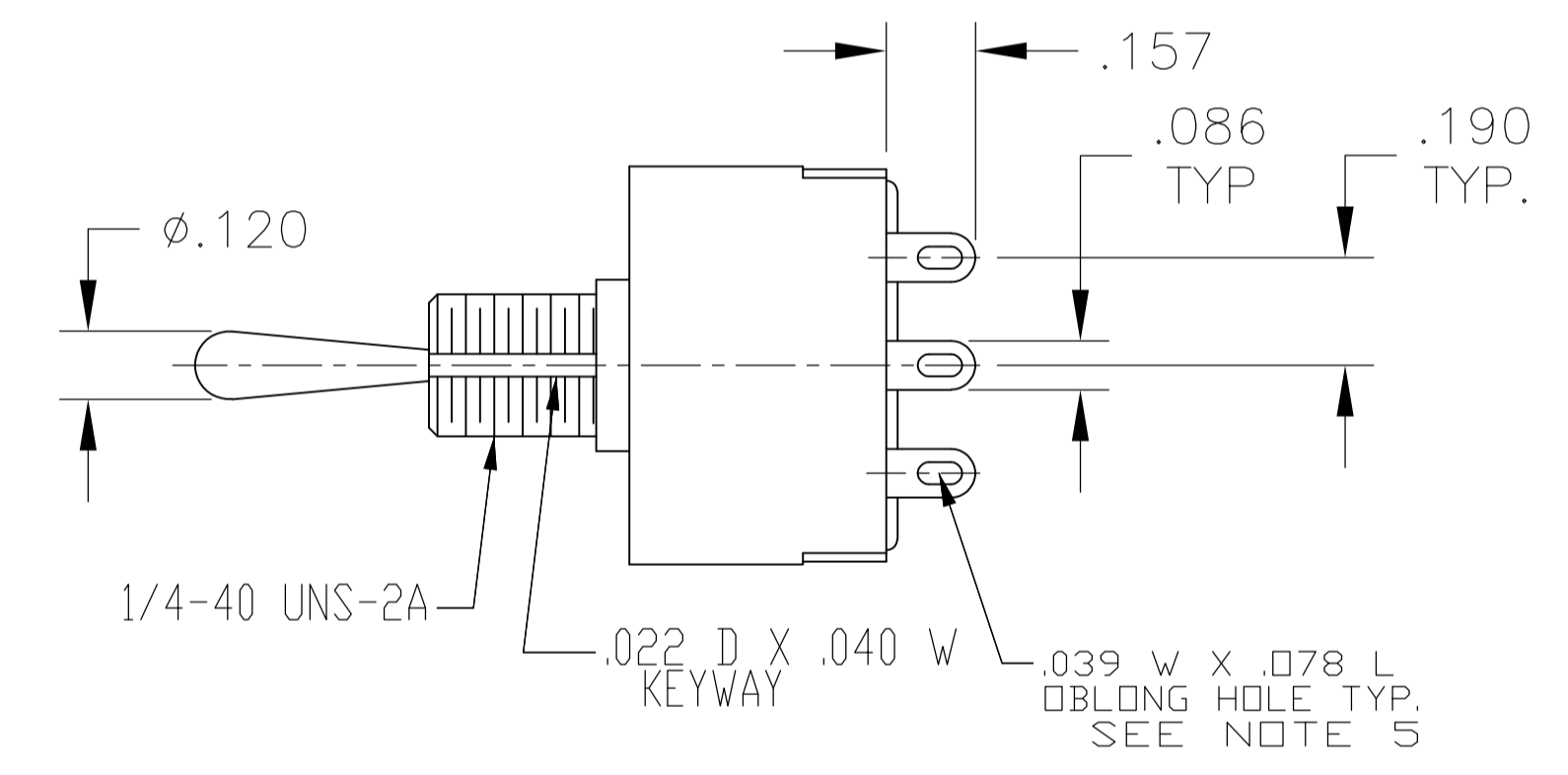
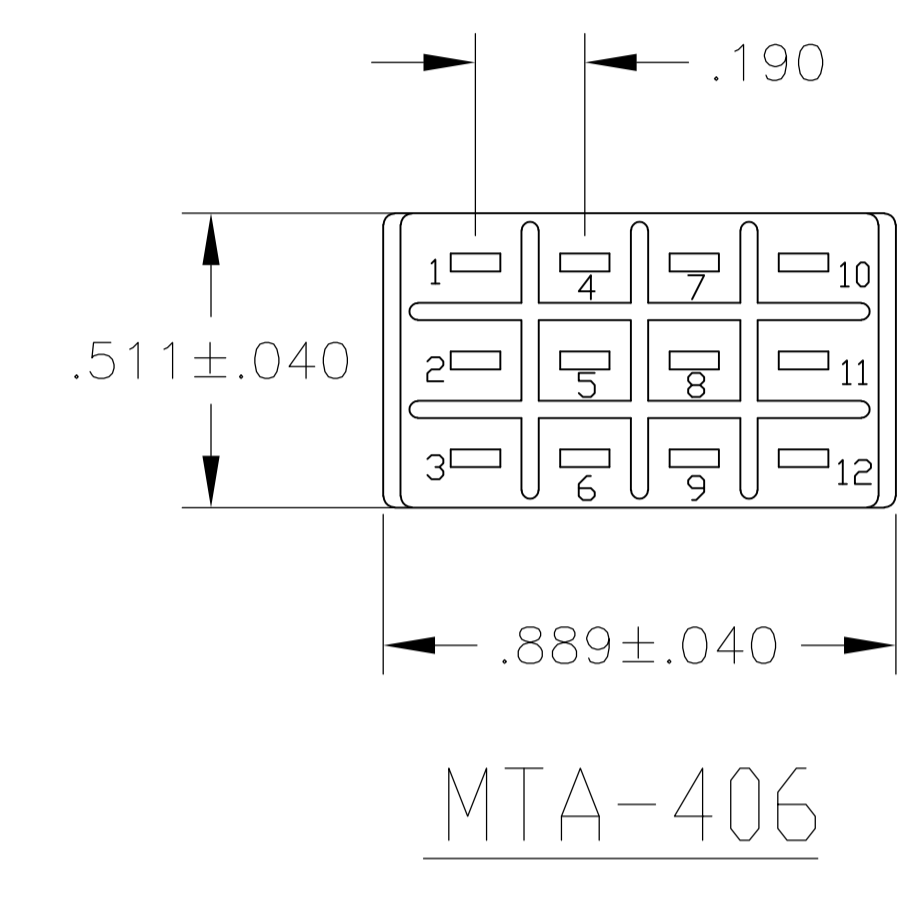
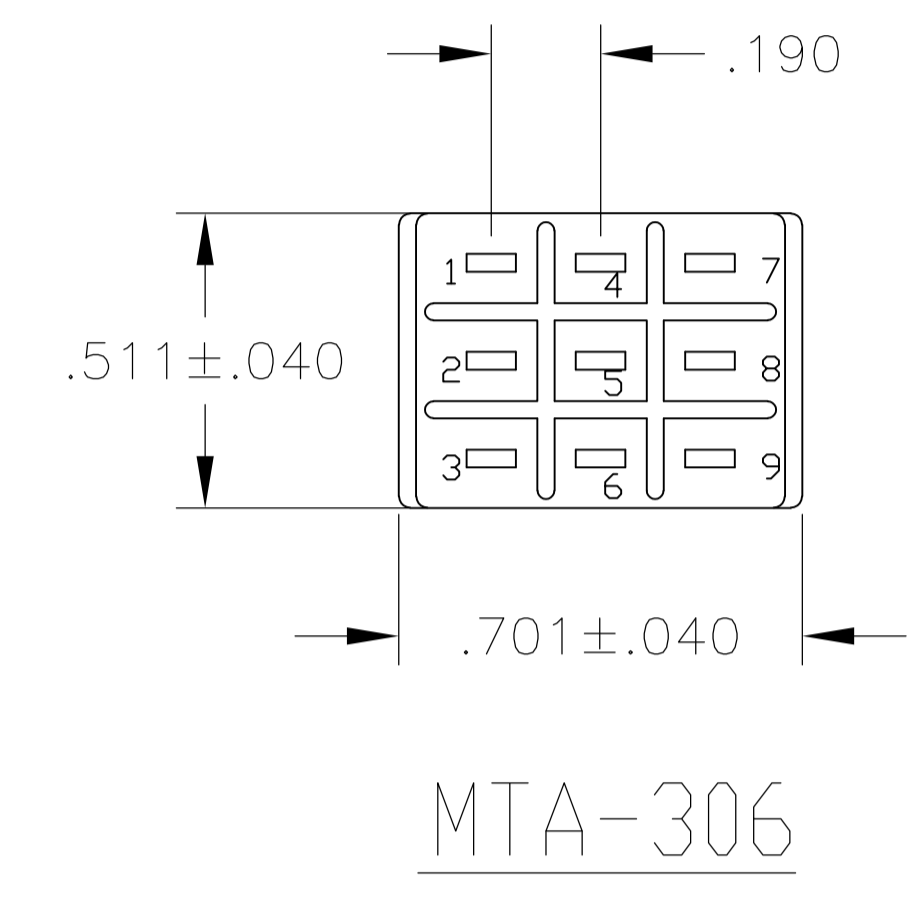
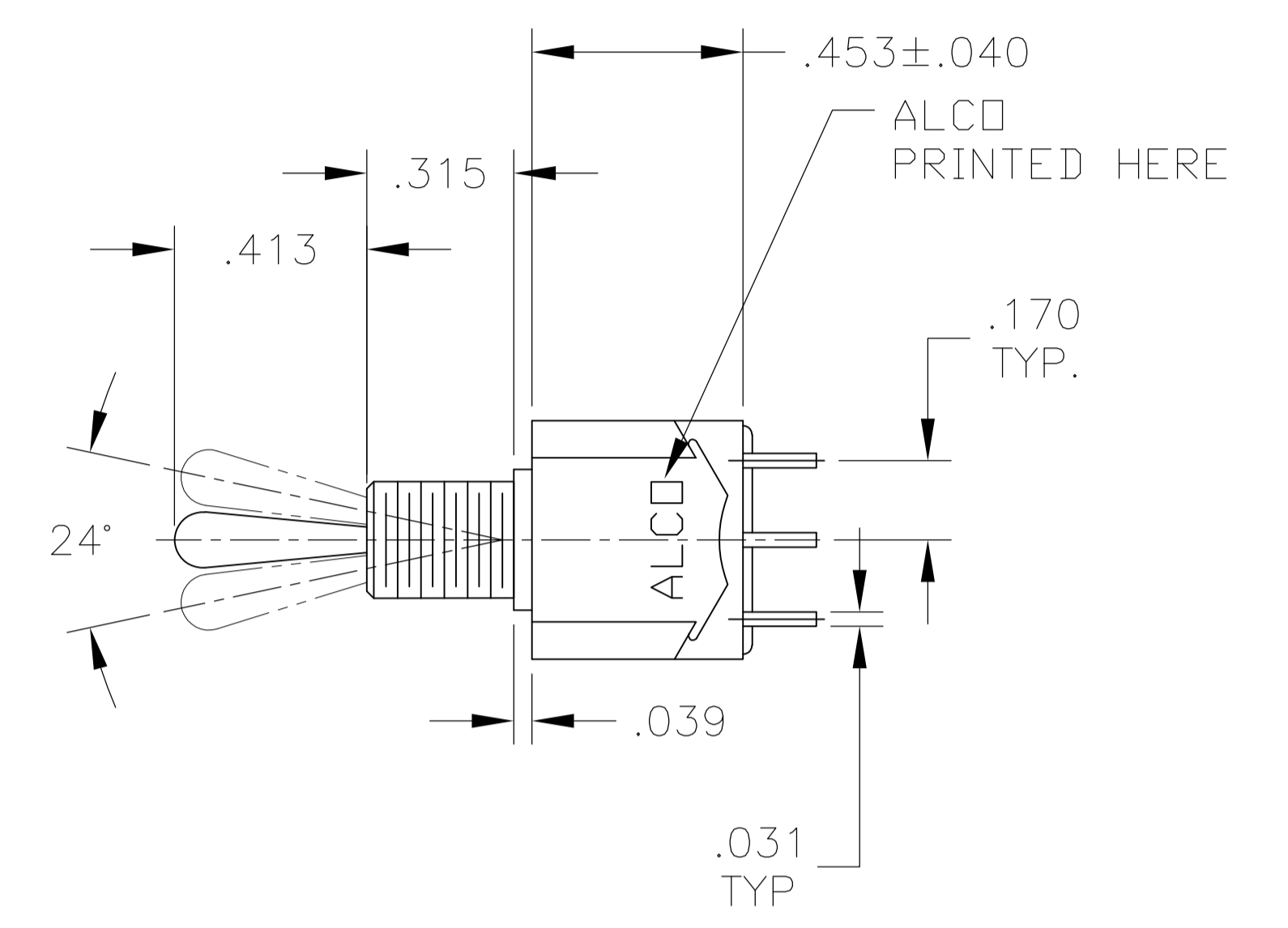
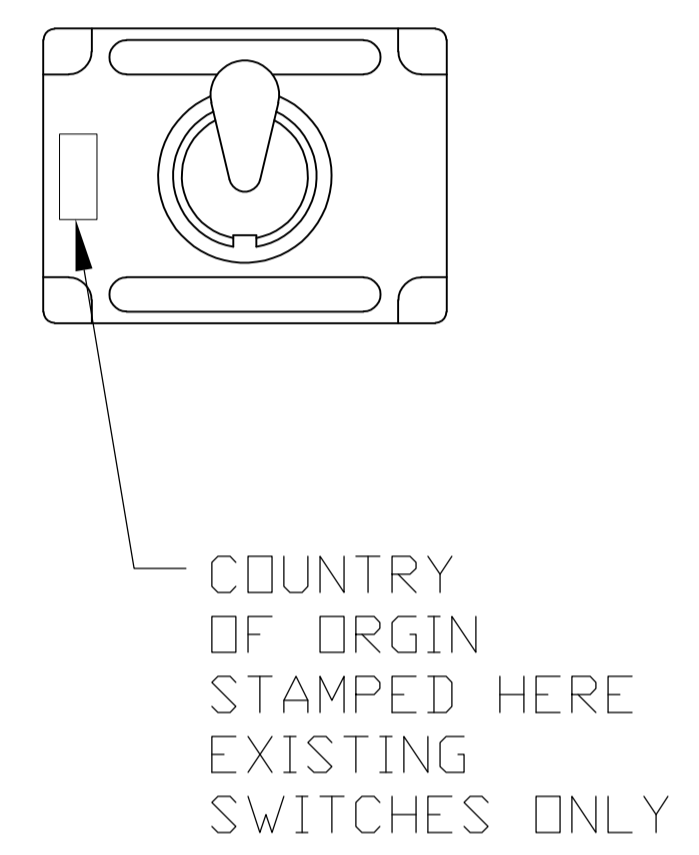
WIRE LUG TERMINAL



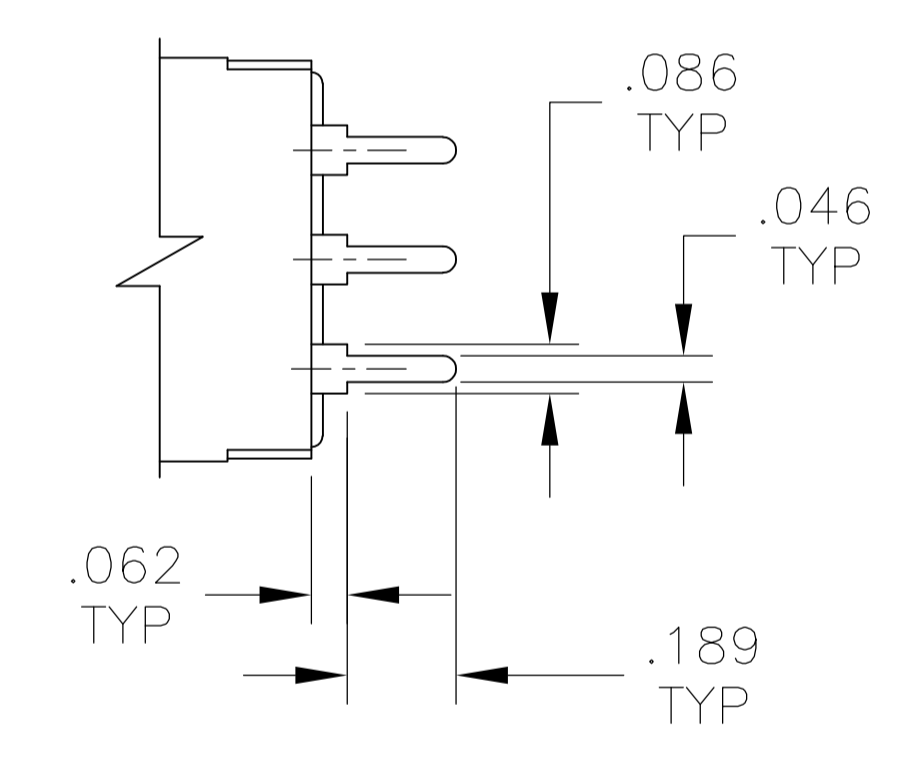
PC TERMINAL



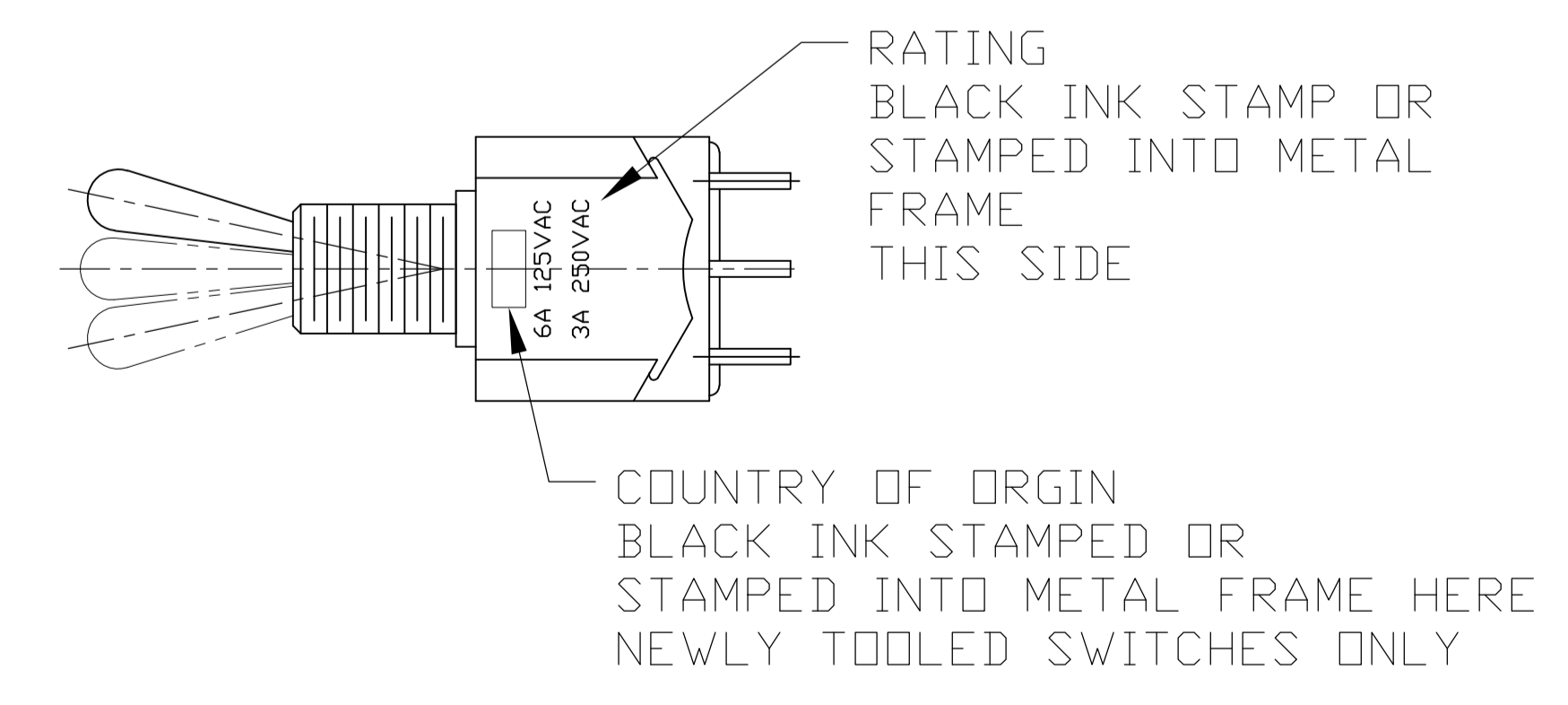
| | | | | | |
|--|--------|------------------|-----------|--|-----------------|
| THIS DRAWING IS A CONTROLLED DOCUMENT. | | DIN | M. BINNER | 29DEC03 | TE Connectivity |
| DIMENSIONS: INCHES | | CHK | M. ZITTO | 29DEC03 | |
| TOLERANCES UNLESS OTHERWISE SPECIFIED: | | APP'D | M. ZITTO | 29DEC03 | NAME |
| 0. PLC | ± .005 | PRODUCT SPEC | | TOGGLE SWITCH, MTA SERIES VERTICAL MOUNT | |
| 1. PLC | ± .005 | APPLICATION SPEC | | SIZE | CAGE CODE |
| 2. PLC | ± .005 | MATERIAL | | A1 | 00779 |
| 3. PLC | ± .005 | FINISH | | 1-1437558-0 | |
| 4. PLC | ± .005 | CUSTOMER DRAWING | | SCALE | 1:1 |
| ANGLES | ± .005 | SHEET | | 2 | 3 |
| | | REV | | E3 | |



WIRE LUG TERMINAL



PC TERMINAL



| | | | | | |
|--|--------|------------------|-----------|--|-----------------|
| THIS DRAWING IS A CONTROLLED DOCUMENT. | | DIN | M. BINNER | 29DEC03 | TE Connectivity |
| DIMENSIONS: INCHES | | CHK | M. ZITTO | 29DEC03 | |
| TOLERANCES UNLESS OTHERWISE SPECIFIED: | | APP'D | M. ZITTO | 29DEC03 | NAME |
| 0. PLC | ± .005 | PRODUCT SPEC | | TOGGLE SWITCH, MTA SERIES VERTICAL MOUNT | |
| 1. PLC | ± .005 | APPLICATION SPEC | | SIZE | CAGE CODE |
| 2. PLC | ± .005 | MATERIAL | | A1 | 00779 |
| 3. PLC | ± .005 | FINISH | | SCALE 1:1 SHEET 3 OF 3 REV E3 | |
| 4. PLC | ± .005 | CUSTOMER DRAWING | | DRAWING NO. 1-1437558-0 | |
| ANGLES | ± .005 | RESTRICTED TO | | - | |



Компания «ЭлектроПласт» предлагает заключение долгосрочных отношений при поставках импортных электронных компонентов на взаимовыгодных условиях!

Наши преимущества:

- Оперативные поставки широкого спектра электронных компонентов отечественного и импортного производства напрямую от производителей и с крупнейших мировых складов;
- Поставка более 17-ти миллионов наименований электронных компонентов;
- Поставка сложных, дефицитных, либо снятых с производства позиций;
- Оперативные сроки поставки под заказ (от 5 рабочих дней);
- Экспресс доставка в любую точку России;
- Техническая поддержка проекта, помощь в подборе аналогов, поставка прототипов;
- Система менеджмента качества сертифицирована по Международному стандарту ISO 9001;
- Лицензия ФСБ на осуществление работ с использованием сведений, составляющих государственную тайну;
- Поставка специализированных компонентов (Xilinx, Altera, Analog Devices, Intersil, Interpoint, Microsemi, Aeroflex, Peregrine, Syfer, Eurofarad, Texas Instrument, Miteq, Cobham, E2V, MA-COM, Hittite, Mini-Circuits, General Dynamics и др.);

Помимо этого, одним из направлений компании «ЭлектроПласт» является направление «Источники питания». Мы предлагаем Вам помощь Конструкторского отдела:

- Подбор оптимального решения, техническое обоснование при выборе компонента;
- Подбор аналогов;
- Консультации по применению компонента;
- Поставка образцов и прототипов;
- Техническая поддержка проекта;
- Защита от снятия компонента с производства.



Как с нами связаться

Телефон: 8 (812) 309 58 32 (многоканальный)

Факс: 8 (812) 320-02-42

Электронная почта: org@eplast1.ru

Адрес: 198099, г. Санкт-Петербург, ул. Калинина, дом 2, корпус 4, литера А.