

Metal Switch, Latching Action, Switching Voltage up to 125 VDC / 250 VAC



Point Illumination
green



Ring illumination
red



non-illuminated
grey

See below:

Approvals and Compliances

Description

- Switch available in version: Standard (ST), with Lettering (LE), with Point Illumination (PI), with Ring Illumination (RI)
- Available with 12 A and 16 A switching current Assembly by mounting with nut and subsequent clipping of the switching element
- Equipped with flat-pin plugs to permit fast connection

Characteristics

- Housing and actuator material: high-quality stainless steel
- Variety of design options regarding size, colour, illumination, connection or lettering
- Switching voltage up to 125 VDC respectively 250 VAC, switching current up to 16 A
- optional with point or ring illumination
- available with single-pole and double-pole switching system, switching status is easy to discern by looking at or feeling the resting position of the actuator
- For use in harsh environments (see technical data)

References

Alternative: double-pole switch: [MSM DP 19](#); [MSM DP 22](#); [MSM DP 30](#)

Alternative: switch with backlighted illumination: [MSM CS 19](#); [MSM CS 22](#); [MSM LA CS 19](#); [MSM LA CS 22](#)

Alternative: Other diameter

Alternative: Standard version [MSM LA 22](#); [MSM 16](#)

Weblinks

[pdf data sheet](#), [html datasheet](#), [General Product Information](#), [CAD-Drawings](#), [Product News](#), [Detailed request for product](#)

Technical Data

Electrical Data

| | |
|---------------------------------|---|
| Switching Function | latching |
| Number of Poles | SPST, DPST |
| Supply Voltage | 24 VDC Ring Illumination , Point Illumination without series resistor , LED operating data are listed in a separate table 5 VDC and 12 VDC RI variants on request (MOQ 500 pieces) |
| Impulse Withstand Voltage (ESD) | 4 kV MSM ST / MSM LE |
| Switching Voltage | max. 250 VAC 30 VDC (125 VDC at 0.5 A), |
| Switching Current | 12 A AC / 16 A AC |
| Rated Switching Capacity | 3000 W |
| Lifetime | 0.05 million actuations (250 VAC / 8 A), 0.1 million actuations (125 VDC / 0,5 A), 0.02 million actuations (250 VAC / 16 A) |
| Contact Resistance | < 100 mΩ (12 VDC / 1 A) |
| Insulation Resistance | > 100 MΩ 500 VDC |

Mechanical Data

| | |
|---|------------------------|
| Actuating Force | 10 N |
| Actuating Travel | 5.2 mm, |
| Lifetime | 0.1 million actuations |
| Contact Gap | 3 mm |
| Shock Protection | IK 07 |
| Mounting screw torque Plastic Nut | max. 4.5 Nm |
| Mounting screw torque Stainless Steel Nut | max. 12 Nm |

Climatical Data

| | |
|--|-----------------------------------|
| Operating Temperature | -20 to 85 °C |
| Storage Temperature | -20 to 85 °C |
| Protection Class | IP64 |
| Switching Unit | IP40 |
| Salt Spray Test (acc. to DIN 50021-SS) | 24 h / 48 h / 96 h Residence Time |

Material


| | |
|--|--------------------------------------|
| Housings | Stainless Steel |
| Actuator (disc, outside housing) | Stainless Steel |
| Illuminated Ring (die-casting, inside housing) | PC |
| Seal Ring | NBR70 |
| Switcher Collet | PA66 (UL94-V0 related to d ≥ 1.6 mm) |
| Intermediate Connector | PA66 (UL94-V0 related to d ≥ 1.6 mm) |
| Contact Pin Adapter | PA66 (UL94-V0 related to d ≥ 1.6 mm) |

Detailed information on product approvals, code requirements, usage instructions and detailed test conditions can be looked up in [Details about Approvals](#)

SCHURTER products are designed for use in industrial environments. They have approvals from independent testing bodies according to national and international standards. Products with specific characteristics and requirements such as required in the automotive sector according to IATF 16949, medical technology according to ISO 13485 or in the aerospace industry can be offered exclusively with customer-specific, individual agreements by SCHURTER.


Product standards

Product standards that are referenced

| Organization | Design | Standard | Description |
|--|-----------------------|----------------|---|
|  | Designed according to | DIN EN 61058-1 | Switches for appliances. Part 1. General requirements |
|  | Designed according to | UL 1054 | UL standard for safety special-use switches |



Application standards

Application standards where the product can be used

| Organization | Design | Standard | Description |
|--|--------------------------------|----------------|--|
|  | Designed for applications acc. | IEC/UL 62368-1 | IEC 62368-1 includes the basic requirements for safety of audio, video, information technology and office equipment. |

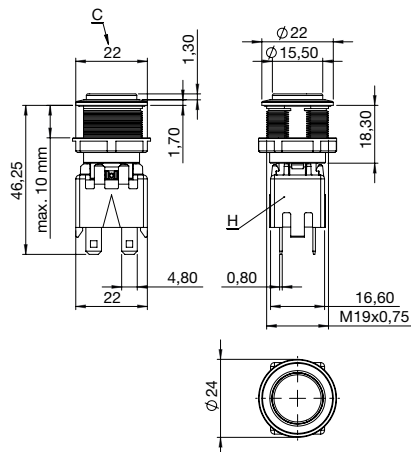
Compliances

The product complies with following Guide Lines

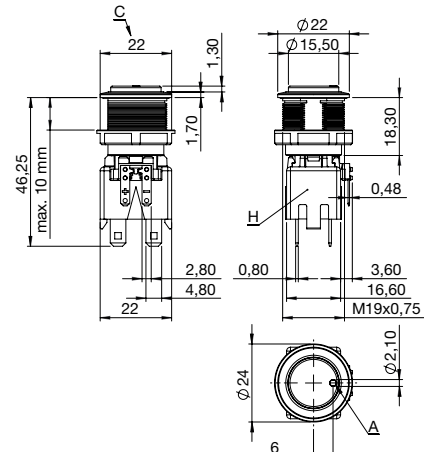
| Identification | Details | Initiator | Description |
|--|---------|-------------|---|
|  | RoHS | SCHURTER AG | Directive RoHS 2011/65/EU, Amendment (EU) 2015/863 |
|  | REACH | SCHURTER AG | On 1 June 2007, Regulation (EC) No 1907/2006 on the Registration, Evaluation, Authorization and Restriction of Chemicals 1 (abbreviated as "REACH") entered into force. |

Dimension [mm]

MSM 19 LA ST / LE double-pole

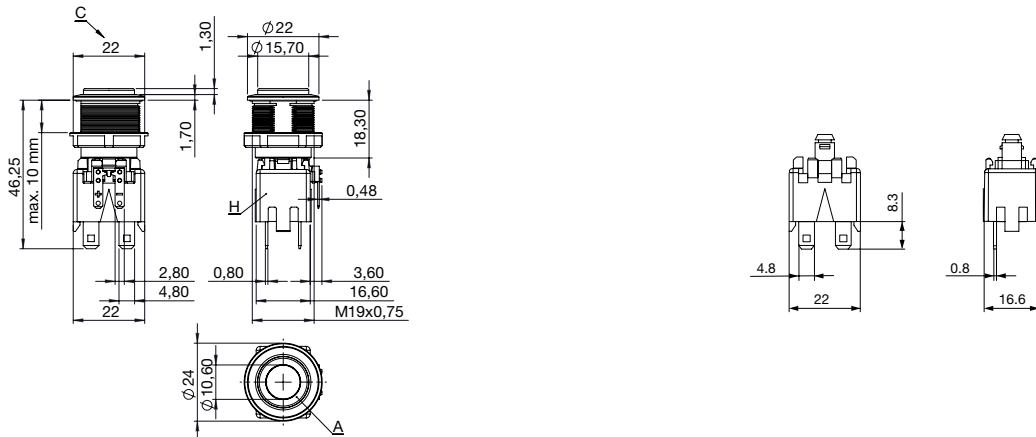


MSM 19 LA PI double-pole



MSM 19 LA RI double-pole

Switching Element single-pole with Push Button Holder



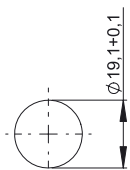
Legend

- A = Illumination Area
- C = Width Across Flats
- D = Nut
- H = Switching Element

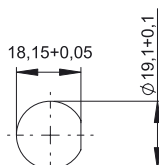
Dimension

MSM 19 LA ST / MSM 19 LA RI

MSM 19 LA LE / MSM 19 LA PI /
 MSM 19 LA RI optional

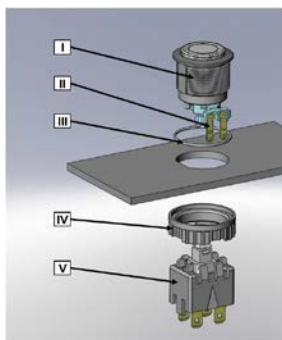


Drilling diagram



Drilling diagram

Assembly Instructions



- I Housing
- II Flat Pin Terminal (Illumination)
- III Gasket
- IV Nut (Nut type see Dimensions)
- V Module Switching Contact

Installation Instruction:

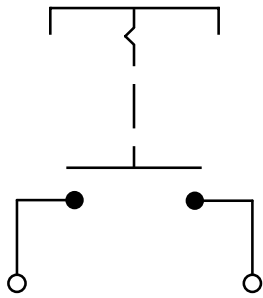
- 1.) Place the gasket accurately on the actuator housing. Then mount the actuator housing assembly into the panel.
- 2.) Tighten the screw nut according to the torque instructions.
- 3.) Clasp the module switching contact into the actuator housing.

Installation information:

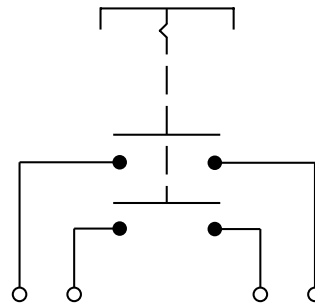
- 1.) The power supply and the configuration of the flat pin terminals have to be installed correctly for the illumination and micro switch function.
- 2.) Insulate the terminals as required. Fully insulated plug-in sleeves are recommended.
- 3.) Installation instructions according to VDE-standard DIN VDE 0100-100 or alternatively IEC 60354 standard

Diagrams

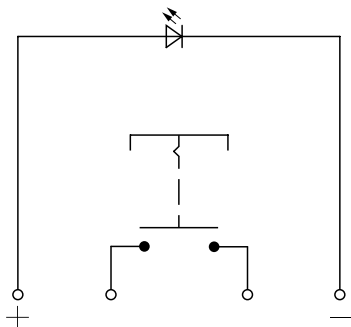
MSM LA ST / LE single-pole



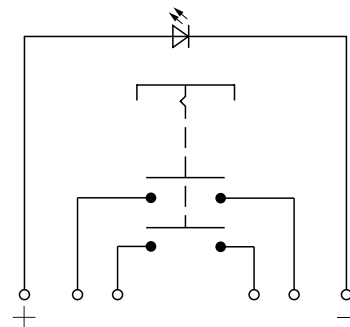
MSM LA ST / LE double-pole



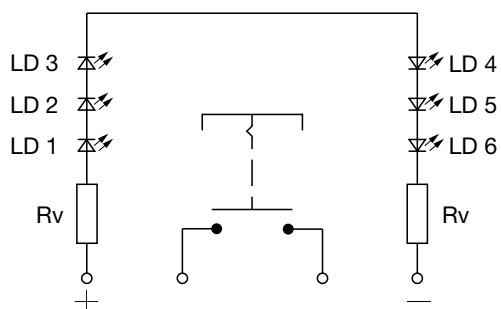
MSM LA PI single-pole



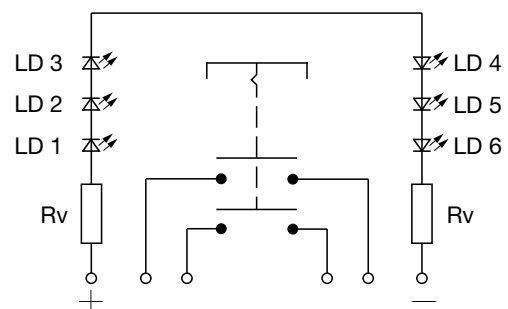
MSM LA PI double-pole



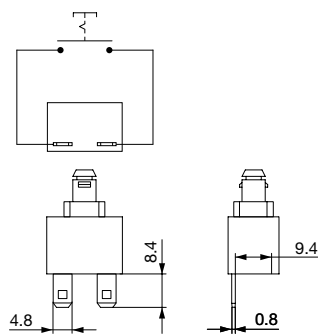
MSM LA RI single-pole



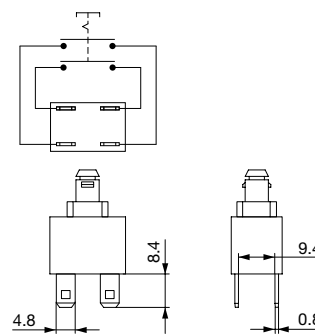
MSM LA RI double-pole



Contact Layout single-pole



Contact Layout double-pole



Point Illumination

| Operating Data | Forward Current max. | Forward Voltage at 10 mA | Forward Voltage max. |
|----------------|----------------------|--------------------------|----------------------|
| LED red | 30 mA | 1.9 VDC | 3.0 VDC |
| LED green | 30 mA | 2.4 VDC | 3.0 VDC |
| LED yellow | 30 mA | 2.4 VDC | 3.0 VDC |
| LED blue | 20 mA | 3.8 VDC | 4.5 VDC |
| LED red/green | 25 mA | 2.0 VDC | 2.5 VDC |

Attention: Switches are delivered without series resistor.

Lettering

The last three digits in the order number define the lettering:

| | |
|---------|----------------------|
| 000 | No Lettering |
| 001-074 | Standard Lettering |
| 101- | Customized Lettering |

Lettering Colour of Laser Lettering

| Material | Lettering Colour |
|-----------------|----------------------|
| Stainless Steel | black Filled letters |

Order Index Lettering

| Laser Marking | | | |
|---------------|--------|-------------|-------------|
| 001 =A | 021 =U | 041 =÷ | 061 =EIN |
| 002 =B | 022 =V | 042 =* | 062 =AUS |
| 003 =C | 023 =W | 043 == | 063 =AUF |
| 004 =D | 024 =X | 044 =# | 064 =AB |
| 005 =E | 025 =Y | 045 =↔ | 065 =ON |
| 006 =F | 026 =Z | 046 =‡ | 066 =OFF |
| 007 =G | 027 =0 | 047 =→ | 067 =UP |
| 008 =H | 028 =1 | 048 =← | 068 =DOWN |
| 009 =I | 029 =2 | 049 =↓ | 069 =HIGH |
| 010 =J | 030 =3 | 050 =↑ | 070 =LOW |
| 011 =K | 031 =4 | 051 =% | 071 =ON/OFF |
| 012 =L | 032 =5 | 052 =√ | 072 =START |
| 013 =M | 033 =6 | 053 =CTRL | 073 =RESET |
| 014 =N | 034 =7 | 054 =RETURN | 074 =⏻ |
| 015 =O | 035 =8 | 055 =SHIFT | 075 =💡 |
| 016 =P | 036 =9 | 056 =LOCK | 076 =🔒 |
| 017 =Q | 037 =+ | 057 =STOP | 077 =⓪ |
| 018 =R | 038 =- | 058 =ENTER | |
| 019 =S | 039 =. | 059 =BACK | |
| 020 =T | 040 =x | 060 =LINE | |

All Variants

| Diameter | Number of Poles | Switching Current | Illumination, LED | Torsion Protection Housing/Actuator | Config. Code | Order Number |
|----------|-----------------|-------------------|---------------------------|-------------------------------------|--------------------|-------------------|
| [mm] | | [A] | | | | |
| 19 | DPST | 12 | non-illuminated | yes / yes | MSM 19 LA Pcs | 1241.6821.1120000 |
| 19 | DPST | 12 | Point Illumination, red | yes / yes | MSM 19 LA PI red | 1241.6823.1121000 |
| 19 | DPST | 12 | Point Illumination, green | yes / yes | MSM 19 LA PI green | 1241.6823.1122000 |
| 19 | DPST | 12 | Point Illumination, blue | yes / yes | MSM 19 LA PI blue | 1241.6823.1124000 |
| 19 | DPST | 12 | RI dotted, red, 24 VDC | yes / yes | MSM 19 LA RI red | 1241.6824.1121000 |

| Diameter [mm] | Number of Poles | Switching Current [A] | Illumination, LED | Torsion Protection Housing/Actuator | Config. Code | Order Number |
|------------------|-----------------|--------------------------|---------------------------|-------------------------------------|--------------------|-------------------|
| 19 | DPST | 12 | RI dotted, green, 24 VDC | yes / yes | MSM 19 LA RI green | 1241.6824.1122000 |
| 19 | DPST | 12 | RI dotted, blue, 24 VDC | yes / yes | MSM 19 LA RI blue | 1241.6824.1124000 |
| 19 | SPST | 12 | non-illuminated | yes / yes | MSM 19 LA Pcs | 1241.6821.1110000 |
| 19 | SPST | 12 | Point Illumination, red | yes / yes | MSM 19 LA PI red | 1241.6823.1111000 |
| 19 | SPST | 12 | Point Illumination, green | yes / yes | MSM 19 LA PI green | 1241.6823.1112000 |
| 19 | SPST | 12 | Point Illumination, blue | yes / yes | MSM 19 LA PI blue | 1241.6823.1114000 |
| 19 | SPST | 12 | RI dotted, red, 24 VDC | yes / yes | MSM 19 LA RI red | 1241.6824.1111000 |
| 19 | SPST | 12 | RI dotted, green, 24 VDC | yes / yes | MSM 19 LA RI green | 1241.6824.1112000 |
| 19 | SPST | 12 | RI dotted, blue, 24 VDC | yes / yes | MSM 19 LA RI blue | 1241.6824.1114000 |
| 19 | SPST | 12 | RI dotted, white, 24 VDC | yes / yes | MSM 19 LA RI white | 1241.6824.1115000 |
| 19 | DPST | 16 | non-illuminated | yes / yes | MSM 19 LA Pcs | 3-100-989 |
| 19 | DPST | 16 | RI dotted, blue, 24 VDC | yes / yes | MSM 19 LA RI blue | 3-100-999 |
| 19 | DPST | 16 | RI dotted, red, 24 VDC | yes / yes | MSM 19 LA RI red | 3-101-003 |
| 19 | DPST | 16 | RI dotted, green, 24 VDC | yes / yes | MSM 19 LA RI green | 3-101-004 |
| 19 | SPST | 16 | non-illuminated | yes / yes | MSM 19 LA Pcs | 3-100-987 |
| 19 | SPST | 16 | RI dotted, red, 24 VDC | yes / yes | MSM 19 LA RI red | 3-100-990 |
| 19 | SPST | 16 | RI dotted, green, 24 VDC | yes / yes | MSM 19 LA RI green | 3-100-991 |
| 19 | SPST | 16 | RI dotted, blue, 24 VDC | yes / yes | MSM 19 LA RI blue | 3-101-002 |

Legend:

Type:

MSMCS = Ceramic Surface

ST = Standard: not lettered

LE = Lettering: lettered

AI = BL = Full Surface Backlighting: Lettering possible (see Lettering, last 3 digits)

Customer-specific versions available on request.

Special materials for use in salt and chlorinated environment on request.

The MOQ for standard laser lettering on standard variants is a packing unit.

5 VDC and 12 VDC RI variants on request (MOQ 500 pieces)

The nut with gasket and micro switch are enclosed in the box.

 Most Popular.
Availability for all products can be searched real-time: <https://www.schurter.com/en/Stock-Check/Stock-Check-SCHURTER>
Packaging unit 10 in box with insert



- Actuating elements in ESD safe packaging
- Screw nuts and sealing rings in a bag (enclosed in the box)
- Micro switches (enclosed in the box)

Accessories

Description



Power Supply

Power Supply IP42 for LED- and Illumination applications indoor 90~264 VAC => 24 VDC 0.34 A 8 W



Компания «ЭлектроПласт» предлагает заключение долгосрочных отношений при поставках импортных электронных компонентов на взаимовыгодных условиях!

Наши преимущества:

- Оперативные поставки широкого спектра электронных компонентов отечественного и импортного производства напрямую от производителей и с крупнейших мировых складов;
- Поставка более 17-ти миллионов наименований электронных компонентов;
- Поставка сложных, дефицитных, либо снятых с производства позиций;
- Оперативные сроки поставки под заказ (от 5 рабочих дней);
- Экспресс доставка в любую точку России;
- Техническая поддержка проекта, помощь в подборе аналогов, поставка прототипов;
- Система менеджмента качества сертифицирована по Международному стандарту ISO 9001;
- Лицензия ФСБ на осуществление работ с использованием сведений, составляющих государственную тайну;
- Поставка специализированных компонентов (Xilinx, Altera, Analog Devices, Intersil, Interpoint, Microsemi, Aeroflex, Peregrine, Syfer, Eurofarad, Texas Instrument, Miteq, Cobham, E2V, MA-COM, Hittite, Mini-Circuits, General Dynamics и др.);

Помимо этого, одним из направлений компании «ЭлектроПласт» является направление «Источники питания». Мы предлагаем Вам помощь Конструкторского отдела:

- Подбор оптимального решения, техническое обоснование при выборе компонента;
- Подбор аналогов;
- Консультации по применению компонента;
- Поставка образцов и прототипов;
- Техническая поддержка проекта;
- Защита от снятия компонента с производства.



Как с нами связаться

Телефон: 8 (812) 309 58 32 (многоканальный)

Факс: 8 (812) 320-02-42

Электронная почта: org@eplast1.ru

Адрес: 198099, г. Санкт-Петербург, ул. Калинина, дом 2, корпус 4, литера А.