

PLEASE CHECK WWW.MOLEX.COM FOR LATEST PART INFORMATION

Part Number: [0746962502](#)
Status: **Active**
Overview: vhdm_hsd
Description: 2.00mm (.079") Pitch 5-Row VHDM-HSD™ Backplane Header, Guide Pin Signal Module, Pin End Version, 100 Circuits, Pin Length 6.25mm (.246")

Documents:

[Drawing \(PDF\)](#) [RoHS Certificate of Compliance \(PDF\)](#)

Agency Certification

CSA LR19880

General

Product Family Backplane Connectors
 Series [74696](#)
 Application Backplane
 Application Tooling Documents http://www.molex.com/pdm_docs/ats/TM-622010999.pdf>Tooling Manual
 Comments No Keying Position
 Component Type PCB Header
 Overview [vhdm_hsd](#)
 Product Name VHDM-HSD™
 Style N/A

Physical

Circuits (Loaded) 100
 Circuits (maximum) 100
 Color - Resin Black
 Durability (mating cycles max) 200
 First Mate / Last Break No
 Flammability 94V-0
 Guide to Mating Part Yes
 Keying to Mating Part None
 Material - Metal High Performance Alloy (HPA), Stainless Steel
 Material - Plating Mating Gold
 Material - Plating Termination Tin-Lead
 Material - Resin High Temperature Thermoplastic
 Number of Columns 25
 Number of Pairs Open Pin Field
 Number of Rows 5
 Orientation Vertical
 PCB Retention None
 PCB Thickness Recommended (in) 0.070 In
 PCB Thickness Recommended (mm) 1.80 mm
 Packaging Type Tube
 Pitch - Mating Interface (in) 0.079 In
 Pitch - Mating Interface (mm) 2.00 mm
 Plating min: Mating (µin) 30
 Plating min: Mating (µm) 0.75
 Plating min: Termination (µin) 30
 Plating min: Termination (µm) 0.75
 Polarized to PCB Yes
 Stackable Yes
 Surface Mount Compatible (SMC) Yes
 Temperature Range - Operating -55°C to +105°C
 Termination Interface: Style Through Hole - Compliant Pin

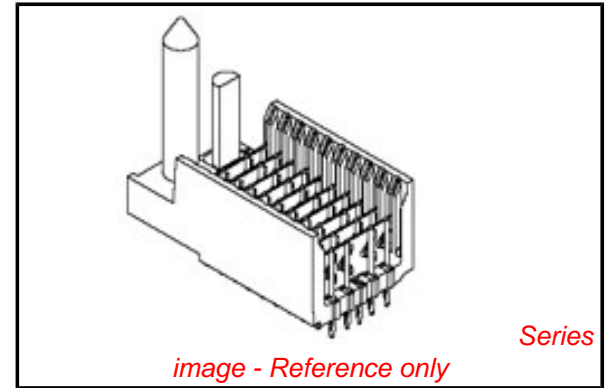


image - Reference only

EU RoHS

RoHS Compliant by Exemption

REACH SVHC

Not Reviewed

Halogen-Free

Status

Not Reviewed

China RoHS



Need more information on product environmental compliance?

Email productcompliance@molex.com
 For a multiple part number RoHS Certificate of Compliance, [click here](#)

Please visit the [Contact Us](#) section for any non-product compliance questions.

Search Parts in this Series

[74696Series](#)

Mates With

[74670 HSD Daughtercard](#)

Application Tooling | FAQ

Tooling specifications and manuals are found by selecting the products below. Crimp Height Specifications are then contained in the Application Tooling Specification document.

Global

| Description | Product # |
|---------------------------------------|----------------------------|
| VHDM® Signal Pin Inserter Repair Tool | 0622015700 |
| VHDM® 5 Row and Shield Repair Tool | 0622015810 |
| VHDM® 5 Row Shield Extraction Tool | 0622016010 |
| VHDM-HSD™ Signal Header, 5 Row by | 0622020202 |

25 Wide, 50.00mm
(1.97")

Electrical

| | |
|-------------------------------|------------------|
| Current - Maximum per Contact | 1A |
| Data Rate | 5.0 Gbps |
| Real Signals (per 25mm) | 48 |
| Voltage - Maximum | 120V AC (RMS)/DC |

Material Info

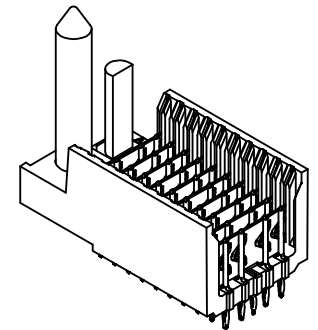
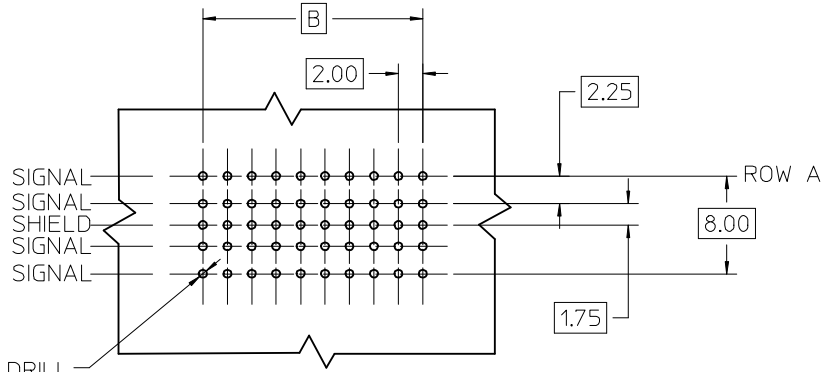
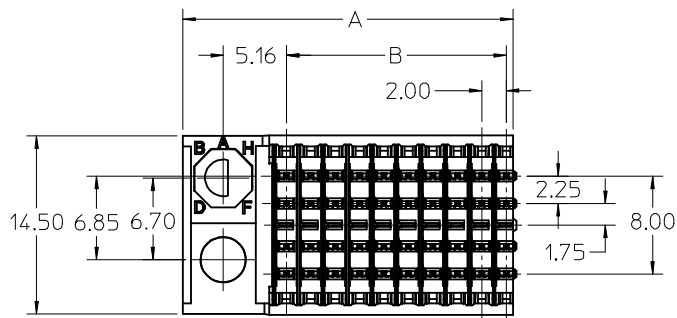
Reference - Drawing Numbers

| | |
|-------------------------|--------------|
| Packaging Specification | PK-74696-003 |
| Sales Drawing | SD-74696-002 |

VHDM-HSD is a trademark of Amphenol Corporation

This document was generated on 06/08/2010

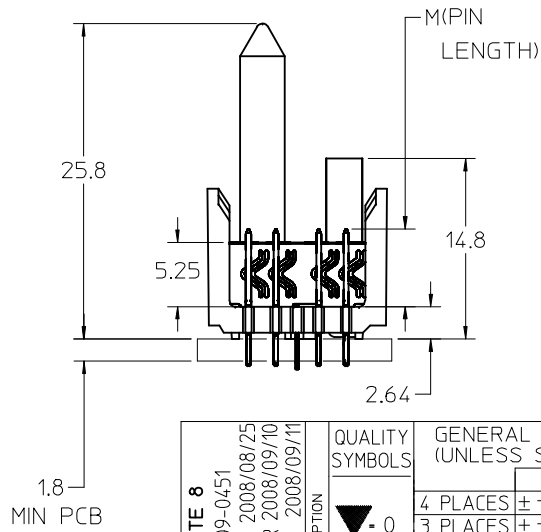
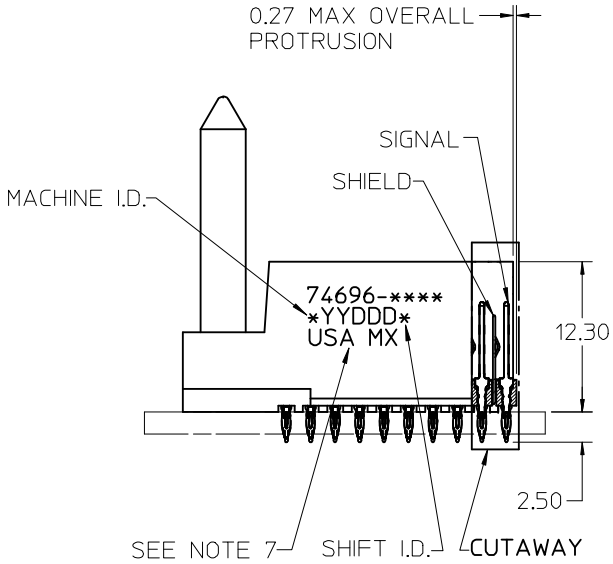
PLEASE CHECK WWW.MOLEX.COM FOR LATEST PART INFORMATION



- Ø 0.66 DRILL
- Ø 0.56 ±0.05 PTH
- Ø 1.00 PAD
- ⊕ Ø 0.10

**BACKPLANE HOLE PATTERN
RECOMMENDED DIMENSIONS**

0.27 MAX OVERALL PROTRUSION



NOTES:

1. MATERIAL: HOUSING -LIQUID CRYSTAL POLYMER (LCP) GLASS-FILLED, UL 94 V-0, COLOR BLACK. SIGNAL & SHIELD -COPPER ALLOY.
2. FINISHES: SELECTIVE GOLD (Au) ON CONTACT AREA, SELECTIVE TIN/LEAD (Sn/Pb) OR MATTE TIN ON PCB TAILS, NICKEL (Ni) OVERALL.
3. THIS PART CONFORMS TO MOLEX PRODUCT SPECIFICATION PS-74031-999.
4. FOR MIXED CONTACT MATING LENGTHS CONSULT MOLEX FOR AVAILABILITY.
5. FOR SPECIFIC PART NUMBER AND MATING INFORMATION REFER TO SHEET 2.
6. PACKAGE PER: PK-74696-003.
7. EITHER MARK PART NUMBER AND DATE CODE APPROXIMATELY WHERE SHOWN OR PLACE LABEL ON THE TUBE.
8. PRODUCT COMPLIES WITH COSMETIC SPECIFICATION PS-45499-002.

| | | | | | | | | | |
|---|--|---|--|---|-------------------------------|---|-------------------------------------|----------------------------|--|
| <p>ADD NOTE 8</p> <p>EC NO: UCP2009-0451 DRWN:BSMART 2008/08/25 CHKD:BBARKER 2008/09/10 APPR:SWILLER 2008/09/11</p> | <p>QUALITY SYMBOLS</p> <p>▽ -0</p> <p>∇ -0</p> | GENERAL TOLERANCES (UNLESS SPECIFIED) | | SCALE 2.5:1 | DESIGN UNITS METRIC | THIRD ANGLE PROJECTION | REVISE ON CAD ONLY | | |
| | | | | DIMENSION STYLE MM ONLY | | TITLE HSD SALES ASSEMBLY 5 ROW SIGNAL END BACKPLANE | | | |
| | | | | DRAWN BY MQWANG | | DATE 2001/04/17 | | MOLEX INCORPORATED | |
| | | | | CHECKED BY NMARTIN | | DATE 2001/04/20 | | | |
| | | ANGULAR ±1/2° | | APPROVED BY CBIXLER | DATE 2001/04/20 | MATERIAL NO. SEE TABLE | DOCUMENT NO. SD-74696-002 | SHEET NO. 1 OF 3 | |
| | | DRAFT WHERE APPLICABLE MUST REMAIN WITHIN DIMENSIONS | | THIS DRAWING CONTAINS INFORMATION THAT IS PROPRIETARY TO MOLEX INCORPORATED AND SHOULD NOT BE USED WITHOUT WRITTEN PERMISSION | | | | | |

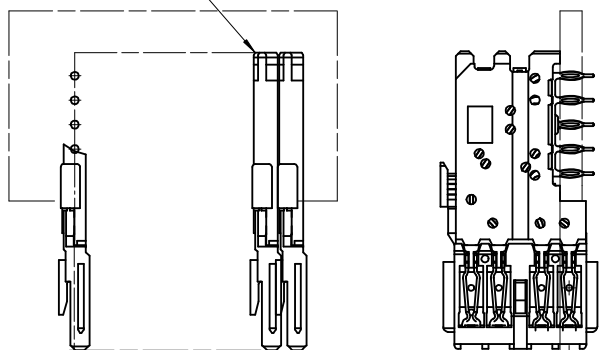
| | | | | | | | | | |
|---------------------------|-------|-------|-------|-------|-------|-------|-------|-------|-------|
| P/N 74696-() | -**0* | -**1* | -**2* | -**3* | -**4* | -**5* | -**6* | -**7* | -**8* |
| | 0 | A | B | C | D | E | F | G | H |
| KEYING PIN ORIENTATION | | | | | | | | | |

74696-****

NUMBER OF COLUMN
5, 10 OR 25
LEADED OR LEAD FREE

CONTACT LOAD (PIN LENGTH)
1 & 6 = 4.75
2 & 7 = 6.25
3 & 8 = 4.25
4 & 9 = 5.15

DAUGHTERCARD
CONNECTOR SIDE



0.41
SIGNAL TO
SIGNAL

0.75
TOP
DAUGHTERCARD
PCB TO CENTER
OF ROW A

ROW A

| PART NUMBER | COLUMN | NUMBER OF SIGNAL PINS | NUMBER OF SHIELDS | A | B | M | Au (um) MIN THICKNESS | SnPb(um) THICKNESS |
|-------------|--------|-----------------------|-------------------|-------|-------|------|-----------------------|--------------------|
| 74696-10*1 | 10 | 40 | 10 | 27.00 | 18.00 | 4.75 | 0.76 | 0.76-1.52 |
| 74696-10*6 | | | | | | | 1.27 | |
| 74696-25*1 | 25 | 100 | 25 | 57.00 | 48.00 | 4.75 | 0.76 | |
| 74696-25*6 | | | | | | | 1.27 | |
| 74696-05*7 | 5 | 20 | 5 | 17.00 | 8.00 | 6.25 | 1.27 | |
| 74696-10*2 | 10 | 40 | 10 | 27.00 | 18.00 | | 0.76 | |
| 74696-10*7 | 25 | 100 | 25 | 57.00 | 48.00 | 6.25 | 1.27 | |
| 74696-25*2 | | | | | | | 0.76 | |
| 74696-25*7 | 10 | 40 | 10 | 27.00 | 18.00 | 4.25 | 1.27 | |
| 74696-10*3 | | | | | | | 0.76 | |
| 74696-10*8 | 25 | 100 | 25 | 57.00 | 48.00 | 4.25 | 1.27 | |
| 74696-25*3 | | | | | | | 0.76 | |
| 74696-25*8 | 10 | 40 | 10 | 27.00 | 18.00 | 5.15 | 1.27 | |
| 74696-10*4 | | | | | | | 0.76 | |
| 74696-10*9 | 25 | 100 | 25 | 57.00 | 48.00 | 5.15 | 1.27 | |
| 74696-25*4 | | | | | | | 0.76 | |
| 74696-25*9 | | | | | | | 1.27 | |

| | | | | | | |
|--|------------------------|---|--|---|------------------------|--------------------|
| SEE SHEET 1 EC NO: UCP2009-0451 DRWN:BSMART 2008/08/25 CHKD:BBARKER 2008/09/10 APPR:SWILLER 2008/09/11 | QUALITY SYMBOLS | GENERAL TOLERANCES (UNLESS SPECIFIED) | SCALE 2.5:1 | DESIGN UNITS METRIC | THIRD ANGLE PROJECTION | REVISE ON CAD ONLY |
| | -0 -0 | mm INCH | DIMENSION STYLE MM ONLY | TITLE | | |
| | | 4 PLACES ± --- ± --- 3 PLACES ± --- ± --- 2 PLACES ± --- ± --- 1 PLACE ± --- ± --- ANGULAR ±1/2° | DRAWN BY MQWANG DATE 2001/04/17 CHECKED BY NMARTIN DATE 2001/04/20 APPROVED BY CBIXLER DATE 2001/04/20 | HSD SALES ASSEMBLY 5 ROW SIGNAL END BACKPLANE | | |
| | DRAFT WHERE APPLICABLE | MUST REMAIN WITHIN DIMENSIONS | MOLEX INCORPORATED SEE TABLE SD-74696-002 | | | |
| | | THIS DRAWING CONTAINS INFORMATION THAT IS PROPRIETARY TO MOLEX INCORPORATED AND SHOULD NOT BE USED WITHOUT WRITTEN PERMISSION | | MATERIAL NO. | DOCUMENT NO. | SHEET NO. 2 OF 3 |

| PART NUMBER | COLUMN | NUMBER OF SIGNAL PINS | NUMBER OF SHIELDS | A | B | M | Au (um) MIN THICKNESS | Sn (um) THICKNESS |
|-------------|--------|-----------------------|-------------------|-------|-------|------|-----------------------|-------------------|
| 74696-90*1 | 10 | 40 | 10 | 27.00 | 18.00 | 4.75 | 0.76 | 0.76-1.52 |
| 74696-90*6 | | | | | | | 1.27 | |
| 74696-85*1 | 25 | 100 | 25 | 57.00 | 48.00 | | 0.76 | |
| 74696-85*6 | | | | | | | 1.27 | |
| 74696-95*7 | 5 | 20 | 5 | 17.00 | 8.00 | 6.25 | 1.27 | |
| 74696-90*2 | 10 | 40 | 10 | 27.00 | 18.00 | | 0.76 | |
| 74696-90*7 | | | | | | | 1.27 | |
| 74696-85*2 | 25 | 100 | 25 | 57.00 | 48.00 | | 0.76 | |
| 74696-85*7 | | | | | | 1.27 | | |
| 74696-90*3 | 10 | 40 | 10 | 27.00 | 18.00 | 4.25 | 0.76 | |
| 74696-90*8 | | | | | | | 1.27 | |
| 74696-85*3 | 25 | 100 | 25 | 57.00 | 48.00 | | 0.76 | |
| 74696-85*8 | | | | | | | 1.27 | |
| 74696-90*4 | 10 | 40 | 10 | 27.00 | 18.00 | 5.15 | 0.76 | |
| 74696-90*9 | | | | | | | 1.27 | |
| 74696-85*4 | 25 | 100 | 25 | 57.00 | 48.00 | | 0.76 | |
| 74696-85*9 | | | | | | | 1.27 | |

LEAD FREE P/N CHART

| | | | | | | | | | |
|---|--------------------------------|---------------------------------------|------------------------------|-----------------------------------|--------------------|--|------------------------|------------------------|--|
| SEE SHEET 1 EC NO: UCP2009-0451 DR: MWBSMART 2008/08/25 CHKD: BBARKER 2008/09/10 APPR: SMILLER 2008/09/11 | QUALITY SYMBOLS ▽=0 ▽7=0 | GENERAL TOLERANCES (UNLESS SPECIFIED) | | DIMENSION STYLE MM ONLY | | SCALE 1:1 | DESIGN UNITS METRIC | THIRD ANGLE PROJECTION | |
| | | 4 PLACES ± --- ± --- | mm INCH | DRAWN BY MQWANG | DATE 2001/04/17 | TITLE HSD SALES ASSEMBLY 5 ROW SIGNAL END BACKPLANE | | | |
| | | 3 PLACES ± --- ± --- | 2 PLACES ± --- ± --- | CHECKED BY NMARTIN | DATE 2001/04/20 | | | | |
| | | 1 PLACE ± --- ± --- | ANGULAR ±1/2° | APPROVED BY CBIXLER | DATE 2001/04/20 | MOLEX INCORPORATED | | | |
| DRAFT WHERE APPLICABLE MUST REMAIN WITHIN DIMENSIONS | | MATERIAL NO. SEE TABLE | DOCUMENT NO. SD-74696-002 | SHEET NO. 3 OF 3 | | | | | |



Компания «ЭлектроПласт» предлагает заключение долгосрочных отношений при поставках импортных электронных компонентов на взаимовыгодных условиях!

Наши преимущества:

- Оперативные поставки широкого спектра электронных компонентов отечественного и импортного производства напрямую от производителей и с крупнейших мировых складов;
- Поставка более 17-ти миллионов наименований электронных компонентов;
- Поставка сложных, дефицитных, либо снятых с производства позиций;
- Оперативные сроки поставки под заказ (от 5 рабочих дней);
- Экспресс доставка в любую точку России;
- Техническая поддержка проекта, помощь в подборе аналогов, поставка прототипов;
- Система менеджмента качества сертифицирована по Международному стандарту ISO 9001;
- Лицензия ФСБ на осуществление работ с использованием сведений, составляющих государственную тайну;
- Поставка специализированных компонентов (Xilinx, Altera, Analog Devices, Intersil, Interpoint, Microsemi, Aeroflex, Peregrine, Syfer, Eurofarad, Texas Instrument, Miteq, Cobham, E2V, MA-COM, Hittite, Mini-Circuits, General Dynamics и др.);

Помимо этого, одним из направлений компании «ЭлектроПласт» является направление «Источники питания». Мы предлагаем Вам помощь Конструкторского отдела:

- Подбор оптимального решения, техническое обоснование при выборе компонента;
- Подбор аналогов;
- Консультации по применению компонента;
- Поставка образцов и прототипов;
- Техническая поддержка проекта;
- Защита от снятия компонента с производства.



Как с нами связаться

Телефон: 8 (812) 309 58 32 (многоканальный)

Факс: 8 (812) 320-02-42

Электронная почта: org@eplast1.ru

Адрес: 198099, г. Санкт-Петербург, ул. Калинина, дом 2, корпус 4, литера А.