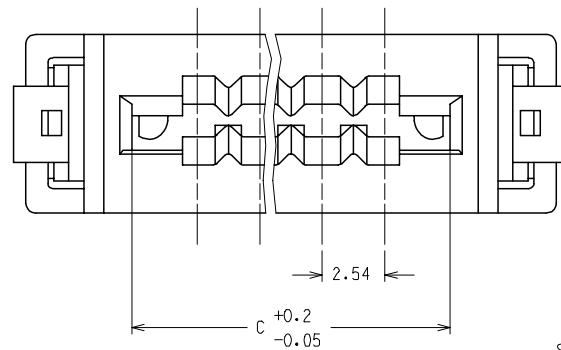
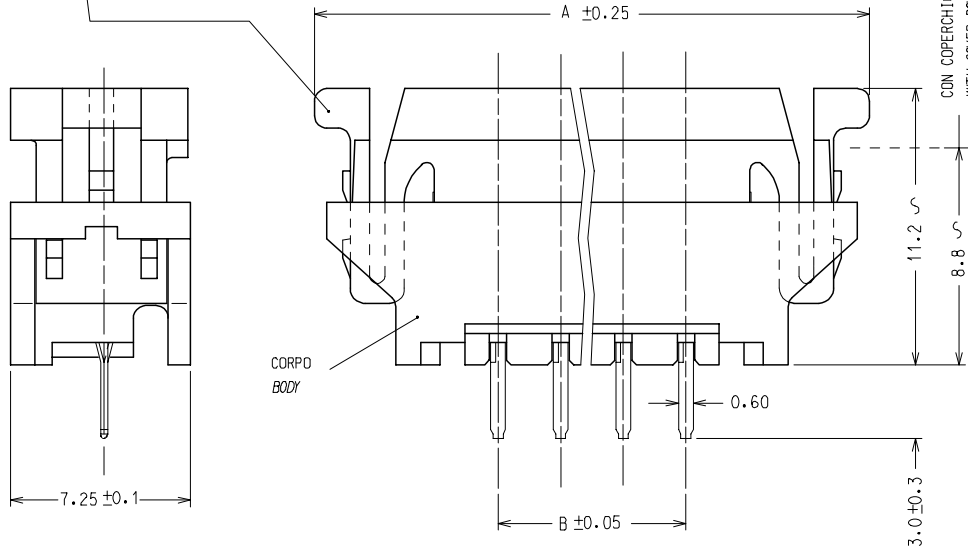


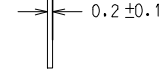
10 9 8 7 6 5 4 3 2 1

COPERCHIO
COVER

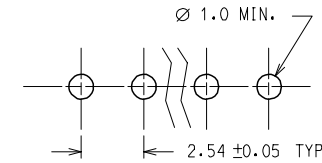
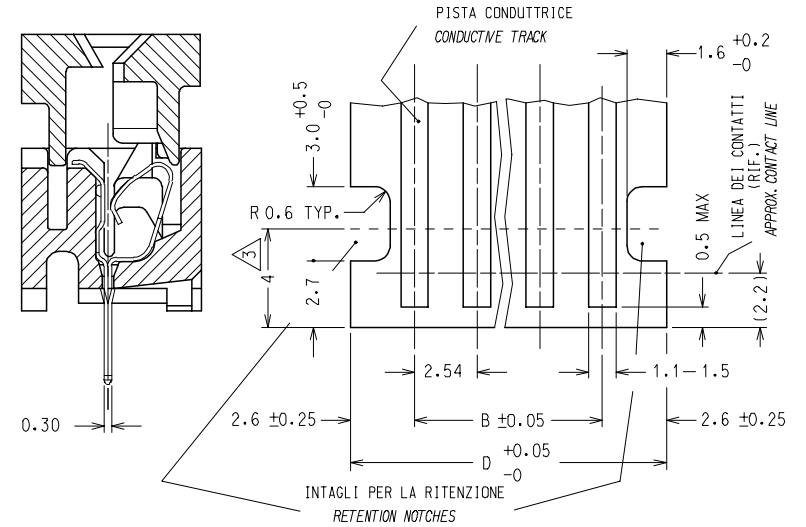
COPERCHIO ALZATO: I CONTATTI SONO APERTI PER UN AGEVOLE INSERIMENTO DEL CIRCUITO FLESSIBILE
COVER UP: CONTACTS ARE OPEN FOR AN EASY INSERTION OF THE FLEX CIRCUITRY
COPERCHIO ABBASSATO: I CONTATTI SONO PREMUTI CONTRO LE PISTE
COVER DOWN: CONTACTS ARE CLOSED ON THE TRACKS



CIRCUITO FLESSIBILE (SPESSORE TYPICO)
FLEX CIRCUITRY (TYPICAL THICKNESS)



PREPARAZIONE DEL CIRCUITO FLESSIBILE (ZONA DI CONNESSIONE)
FLAT FLEX CIRCUITRY PREPARATION (MATING TAIL)



CONFIGURAZIONE RACCOMANDATA SUL C. S.
RECOMMENDED P. C. BOARD HOLE DIMENSION

MATERIALI: CORPO E COPERCHIO: PBT NERO CARICATO F. V., UL 94 V0
CONTATTI: BRONZO FOSFOROSO DI SPESSORE 0.15 mm
PRESTAGNATO SALDABILE

MATERIALS: BODY AND COVER: BLACK G. F. PBT, UL 94 V0
CONTACTS: PHOSPHOR BRONZE SOLDERABLE TIN PREPLATED STRIP, 0.15 mm THICK

STD. DESCR.: FFC CONN VERT (insert contact number) CKT

NOTE: 1) IL PRODOTTO VIENE FORNITO IN TUBI (VEDI FOGLIO 2/2)
2) CARATTERISTICHE TECNICHE E FUNZIONALI COME DA PS 90500.
3) LUNGHEZZA MINIMA DI ESPOSIZIONE DELLE PISTE
4) SPQ: VEDERE FOGLIO 2/2

NOTE: 1) PRODUCT WILL BE SUPPLIED PACKAGED IN A TUBE (SEE SHEET 2/2)
2) TECHNICAL CHARACTERISTICS AS INDICATED IN PS90500.
3) MINIMUM EXPOSED LENGTH OF TRACKS
4) SPQ: SEE SHEET 2/2

| | |
|---------------------------|-----------------|
| EC NO: Z2005-0177 | QUALITY SYMBOLS |
| DRWNS:SBARBIER 2005/05/19 | ▽=0 |
| CHKD:RSANDANO 2005/05/20 | ▽=0 |
| APPR:FBI SELLO 2005/05/20 | |
| REV B1 | |

| GENERAL TOLERANCES (UNLESS SPECIFIED) | |
|--|------|
| mm | INCH |
| 4 PLACES ±--- | ±--- |
| 3 PLACES ±--- | ±--- |
| 2 PLACES ±0.05 | ±--- |
| 1 PLACE ±0.10 | ±--- |
| ANGULAR ±---° | |
| DRAFT WHERE APPLICABLE MUST REMAIN WITHIN DIMENSIONS | |

| DIMENSION STYLE | |
|-----------------|------------|
| MM ONLY | |
| DRAWN BY | DATE |
| SBARBIERI | 2000/04/13 |
| CHECKED BY | DATE |
| MTESTAGUZZA | 2000/04/13 |
| APPROVED BY | DATE |
| RMARTUCCI | 2000/04/13 |
| MATERIAL NO. | |
| SIZE | |
| A3 | |

| | | | |
|---|--------------|------------------------|-----------|
| SCALE | DESIGN UNITS | FIRST ANGLE PROJECTION | |
| 5:1 | METRIC | | |
| TITLE | | | |
| FFC CONNECTOR VERTICAL MOUNTING VERSION | | | |
| MOLEX INCORPORATED | | DOCUMENT NO. | SHEET NO. |
| | | SD-90500-001 | 1 OF 2 |
| THIS DRAWING CONTAINS INFORMATION THAT IS PROPRIETARY TO MOLEX INCORPORATED AND SHOULD NOT BE USED WITHOUT WRITTEN PERMISSION | | | |

9 8 7 6 5 4 3 2 1

| N° . DI CODICE PART. NO. | ATTREZZAGGIO TOOLING | N° . VIE CCT NO. | DIM "A" | DIM "B" | DIM "C" | DIM "D" | N° . CONN./TUBO CONN. NO./TUBE | N° . CONN./SCATOLA CONN. NO./BOX (SPQ) |
|-----------------------------|------------------------------|---------------------|---------|---------|---------|---------|-----------------------------------|---|
| 90500-3002 | NON ATTREZZATO NOT TOOLED | 2 | | | | | | |
| 90500-3003 | " | 3 | | | | | | |
| 90500-3004 | ATTREZZATO TOOLED | 4 | 22.52 | 7.62 | 12.92 | 12.82 | 24 | 4320 |
| 90500-3005 | " | 5 | 25.06 | 10.16 | 15.46 | 15.36 | 21 | 3780 |
| 90500-3006 | " | 6 | 27.60 | 12.70 | 18.00 | 17.90 | 19 | 3420 |
| 90500-3007 | " | 7 | 30.14 | 15.24 | 20.54 | 20.44 | 17 | 3060 |
| 90500-3008 | " | 8 | 32.68 | 17.78 | 23.08 | 22.98 | 16 | 2880 |
| 90500-3009 | " | 9 | 35.22 | 20.32 | 25.62 | 25.52 | 15 | 2700 |
| 90500-3010 | " | 10 | 37.76 | 22.86 | 28.16 | 28.06 | 14 | 2520 |
| 90500-3011 | " | 11 | 40.30 | 25.40 | 30.70 | 30.60 | 13 | 2340 |
| 90500-3012 | " | 12 | 42.84 | 27.94 | 33.24 | 33.14 | 12 | 2160 |
| 90500-3013 | " | 13 | 45.38 | 30.48 | 35.78 | 35.68 | 11 | 1980 |
| 90500-3014 | " | 14 | 47.92 | 33.02 | 38.32 | 38.22 | 11 | 1980 |
| 90500-3015 | " | 15 | 50.46 | 35.56 | 40.86 | 40.76 | 10 | 1800 |
| 90500-3016 | " | 16 | 53.00 | 38.10 | 43.40 | 43.30 | 10 | 1800 |
| 90500-3017 | " | 17 | 55.54 | 40.64 | 45.94 | 45.84 | 9 | 1620 |
| 90500-3018 | " | 18 | 58.08 | 43.18 | 48.48 | 48.38 | 9 | 1620 |
| 90500-3019 | " | 19 | 60.62 | 45.72 | 51.02 | 50.92 | 8 | 1440 |
| 90500-3020 | " | 20 | 63.16 | 48.26 | 53.56 | 53.46 | 8 | 1440 |

| | | | | | | | | | | | | | | | | | | | | | | | | |
|--|--|--|---|--|------------------------|------------------------|-------|-------|----------|-------|-------|----------|--------|-------|---------|--------|-------|----------------|--|--|--|-------|---|--|
| EC NO: Z2005-0177 DRWN:SBARBERI 2005/05/19 CHKD:RSANDANO 2005/05/20 APPR:FBISELLO 2005/05/20 REV DESCRIPTION | QUALITY SYMBOLS | GENERAL TOLERANCES (UNLESS SPECIFIED) | DIMENSION STYLE MM ONLY | SCALE --- | DESIGN UNITS METRIC | FIRST ANGLE PROJECTION | | | | | | | | | | | | | | | | | | |
| | ▽=0 ∇=0 | <table border="1"> <tr> <td></td> <td>mm</td> <td>INCH</td> </tr> <tr> <td>4 PLACES</td> <td>± ---</td> <td>± ---</td> </tr> <tr> <td>3 PLACES</td> <td>± ---</td> <td>± ---</td> </tr> <tr> <td>2 PLACES</td> <td>± 0.05</td> <td>± ---</td> </tr> <tr> <td>1 PLACE</td> <td>± 0.10</td> <td>± ---</td> </tr> <tr> <td colspan="3">ANGULAR ± ---°</td> </tr> </table> | | mm | INCH | 4 PLACES | ± --- | ± --- | 3 PLACES | ± --- | ± --- | 2 PLACES | ± 0.05 | ± --- | 1 PLACE | ± 0.10 | ± --- | ANGULAR ± ---° | | | DRAWN BY SBARBERI DATE 2000/04/15 CHECKED BY RSANDANO DATE 2000/04/15 APPROVED BY FBISELLO DATE 2000/04/15 MATERIAL NO. | TITLE | FFC CONNECTOR VERTICAL MOUNTING VERSION | |
| | | mm | INCH | | | | | | | | | | | | | | | | | | | | | |
| | 4 PLACES | ± --- | ± --- | | | | | | | | | | | | | | | | | | | | | |
| 3 PLACES | ± --- | ± --- | | | | | | | | | | | | | | | | | | | | | | |
| 2 PLACES | ± 0.05 | ± --- | | | | | | | | | | | | | | | | | | | | | | |
| 1 PLACE | ± 0.10 | ± --- | | | | | | | | | | | | | | | | | | | | | | |
| ANGULAR ± ---° | | | | | | | | | | | | | | | | | | | | | | | | |
| | DRAFT WHERE APPLICABLE MUST REMAIN WITHIN DIMENSIONS | SEE TABLE | DOCUMENT NO. SD-90500-001 | MOLEX INCORPORATED SHEET NO. 2 OF 2 | | | | | | | | | | | | | | | | | | | | |
| B1 | | | THIS DRAWING CONTAINS INFORMATION THAT IS PROPRIETARY TO MOLEX INCORPORATED AND SHOULD NOT BE USED WITHOUT WRITTEN PERMISSION | | | | | | | | | | | | | | | | | | | | | |



Компания «ЭлектроПласт» предлагает заключение долгосрочных отношений при поставках импортных электронных компонентов на взаимовыгодных условиях!

Наши преимущества:

- Оперативные поставки широкого спектра электронных компонентов отечественного и импортного производства напрямую от производителей и с крупнейших мировых складов;
- Поставка более 17-ти миллионов наименований электронных компонентов;
- Поставка сложных, дефицитных, либо снятых с производства позиций;
- Оперативные сроки поставки под заказ (от 5 рабочих дней);
- Экспресс доставка в любую точку России;
- Техническая поддержка проекта, помощь в подборе аналогов, поставка прототипов;
- Система менеджмента качества сертифицирована по Международному стандарту ISO 9001;
- Лицензия ФСБ на осуществление работ с использованием сведений, составляющих государственную тайну;
- Поставка специализированных компонентов (Xilinx, Altera, Analog Devices, Intersil, Interpoint, Microsemi, Aeroflex, Peregrine, Syfer, Eurofarad, Texas Instrument, Miteq, Cobham, E2V, MA-COM, Hittite, Mini-Circuits, General Dynamics и др.);

Помимо этого, одним из направлений компании «ЭлектроПласт» является направление «Источники питания». Мы предлагаем Вам помощь Конструкторского отдела:

- Подбор оптимального решения, техническое обоснование при выборе компонента;
- Подбор аналогов;
- Консультации по применению компонента;
- Поставка образцов и прототипов;
- Техническая поддержка проекта;
- Защита от снятия компонента с производства.



Как с нами связаться

Телефон: 8 (812) 309 58 32 (многоканальный)

Факс: 8 (812) 320-02-42

Электронная почта: org@eplast1.ru

Адрес: 198099, г. Санкт-Петербург, ул. Калинина, дом 2, корпус 4, литера А.