

REFERENCE SPECIFICATIONS

-NFC 93425 (in compliance with HE 501)

PHYSICAL CHARACTERISTICS

-INSULATOR MATERIAL: THERMOPLASTIC UL94V0

-CONTACT MATERIAL: PHOSPHOR BRONZE,
GOLD OVER NICKEL

-ACCESSORIES: STEEL FOR METAL BRACKETS,
cadmium plated yellow passivation
THERMOPLASTIC UL94V0 FOR PLASTIC BRACKETS

BRASS FOR OTHERS ACCESSORIES,
cadmium plated yellow passivation

-SHELLS: STEEL,cadmium plated yellow passivation

ELECTRICAL CHARACTERISTICS

-NOMINAL CURRENT: 7.5A

-CONTACT RESISTANCE: <=7.3 m Ohms

-CONTACT/CONTACT : >=1000 V

-CONTACT/GROUND : >=1200 V

-INSULATION RESISTANCE: >=5000 MOhms

ENVIRONMENTAL CHARACTERISTICS

- CLIMATIC CATEGORY: 55/125/56

TEMPERATURE RANGE -55°C TO +125°C

DAMP HEAT STEADY STATE 56 DAYS

SALT SPRAY 48 HOURS

MECHANICAL CHARACTERISTICS

RETENTION AGAINST TORQUE: -Threaded insert:0.7 N.m min

-Female screw:0.5 N.m min

Series

DBML25S500M

Shell size: **E A B C D**
(see sheet 3)

Front accessory definition
(see sheet 2)

Blank :without accessory
L :threaded insert M3
O :threaded insert UNC 4-40
V :female screw UNC 4-40

Layout of contacts (see sheet 3)

9,15,25,37,50

Contacts

S :Socket

Termination type

5 Right angle/Europe standard

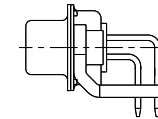
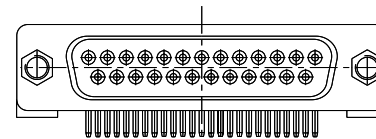
Plating

00 Right angle 500 matings/unmatings

43 Right angle 500 matings/unmatings
for harsh environment

PCB accessories definition(see sheet 2)

Blank :Plastic brackets
C :Without brackets
M :Metal brackets

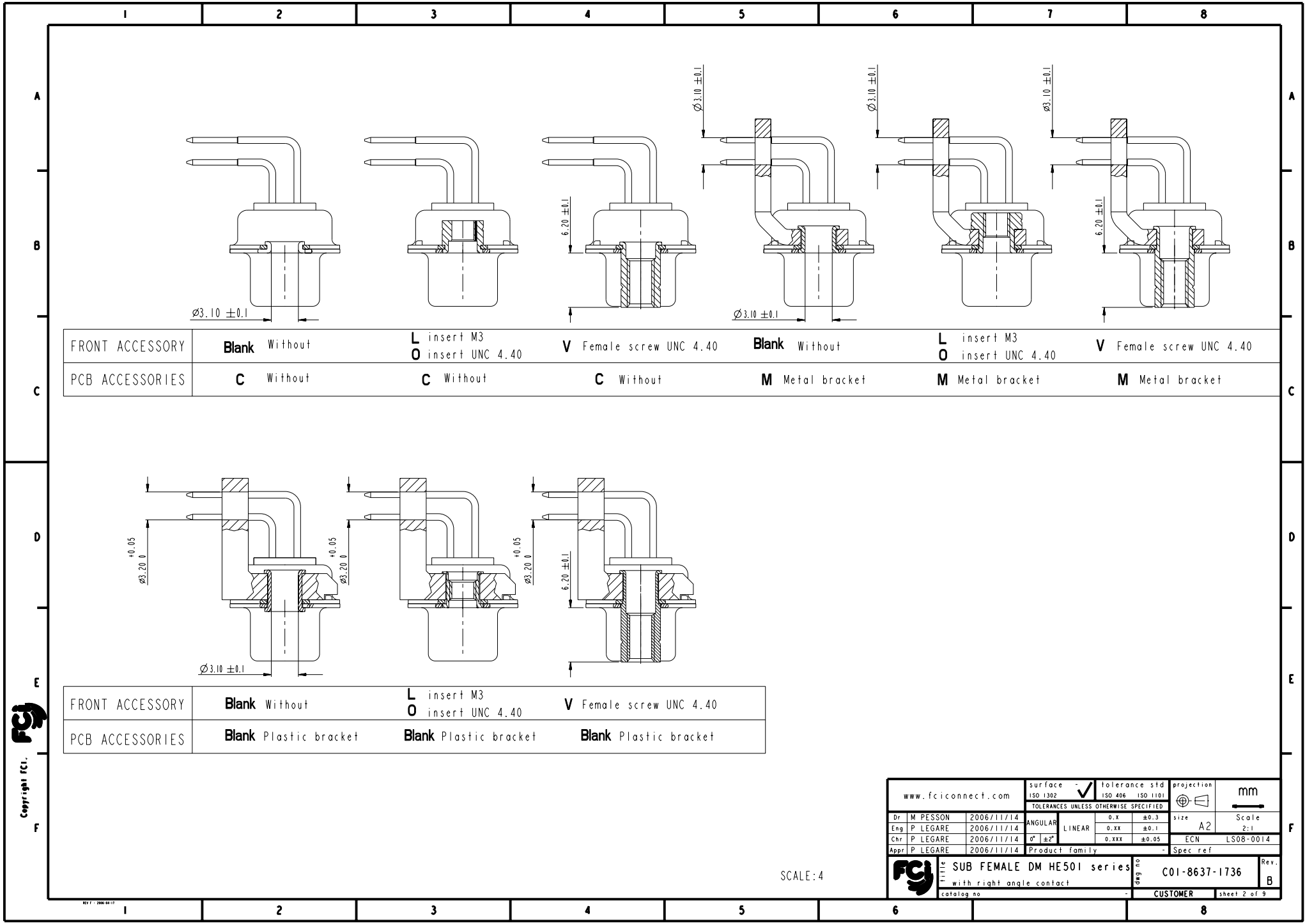


25 WAY for Example

| rev | acc no | dr | date |
|-----|-----------|-----|------------|
| A | LS08-0014 | MPE | 2006/11/14 |
| B | LS08-0014 | MPE | 200/01/17 |
| - | - | - | - |
| - | - | - | - |
| - | - | - | - |
| - | - | - | - |

| | | | | | |
|--------------------|----------|---------------------------------------|------------------|---------------|-------------------|
| www.fciconnect.com | | surface | tolerance std | projection | mm |
| | | ISO 1302 | ISO 406 ISO 1101 | | |
| | | TOLERANCES UNLESS OTHERWISE SPECIFIED | | | |
| Dr | M PESSON | 2006/11/14 | ANGULAR | 0.X ±0.3 | size A2 Scale 2:1 |
| Eng | P LEGARE | 2006/11/14 | LINEAR | 0.xx ±0.1 | |
| Chr | P LEGARE | 2006/11/14 | 0° ±2° | 0.xxx ±0.05 | ECN LS08-0014 |
| Appr | P LEGARE | 2006/11/14 | Product family | Spec ref | |
| | | SUB FEMALE DM HE501 series | | ang no | Rev. |
| | | with right angle contact | | C01-8637-1736 | B |
| catalog no | | CUSTOMER | | sheet 1 of 9 | |

Copyright FCI.



| | | | | | | |
|-----------------|----------------------|--|--------------------------------|------------------------|--|--------------------------------|
| FRONT ACCESSORY | Blank Without | L insert M3 O insert UNC 4.40 | V Female screw UNC 4.40 | Blank Without | L insert M3 O insert UNC 4.40 | V Female screw UNC 4.40 |
| PCB ACCESSORIES | C Without | C Without | C Without | M Metal bracket | M Metal bracket | M Metal bracket |

| | | | |
|-----------------|------------------------------|--|--------------------------------|
| FRONT ACCESSORY | Blank Without | L insert M3 O insert UNC 4.40 | V Female screw UNC 4.40 |
| PCB ACCESSORIES | Blank Plastic bracket | Blank Plastic bracket | Blank Plastic bracket |

| | | | | |
|---|----------|---------------------------------------|-----------------------------------|------------------|
| www.fciconnect.com | | surface - ISO 1302 | tolerance std ISO 406 ISO 1101 | projection mm |
| | | TOLERANCES UNLESS OTHERWISE SPECIFIED | | |
| Dr | M PESSON | 2006/11/14 | ANGULAR | 0.X ±0.3 |
| Eng | P LEGARE | 2006/11/14 | LINEAR | 0.XX ±0.1 |
| Chr | P LEGARE | 2006/11/14 | 0° ±2° | 0.XXX ±0.05 |
| Appr | P LEGARE | 2006/11/14 | Product family | - Spec ref |
| TITLE SUB FEMALE DM HE501 series with right angle contact | | ang no | C01-8637-1736 | |
| catalog no | | CUSTOMER | | sheet 2 of 9 |

SCALE: 4

Copyright fci.

| PART NUMBER | FRONT ACCESSORY | PCB ACCESSORY |
|-------------|-----------------------|-----------------|
| D*MxxS500C | without | without |
| D*MLxxS500C | insert M3 | without |
| D*MOxxS500C | insert UNC 4.40 | without |
| D*MVxxS500C | female screw UNC 4.40 | without |
| D*MxxS500M | without | Metal bracket |
| D*MLxxS500M | insert M3 | Metal bracket |
| D*MOxxS500M | insert UNC 4.40 | Metal bracket |
| D*MVxxS500M | female screw UNC 4.40 | Metal bracket |
| D*MxxS500 | without | Plastic bracket |
| D*MLxxS500 | insert M3 | Plastic bracket |
| D*MOxxS500 | insert UNC 4.40 | Plastic bracket |
| D*MVxxS500 | female screw UNC 4.40 | Plastic bracket |


| | |
|------------|----------------|
| shell size | Contact number |
| X | XX |
| E | 09 |
| A | 15 |
| B | 25 |
| C | 37 |
| D | 50 |

| PART NUMBER | FRONT ACCESSORY | PCB ACCESSORY |
|-------------|-----------------------|-----------------|
| D*MxxS543C | without | without |
| D*MLxxS543C | insert M3 | without |
| D*MOxxS543C | insert UNC 4.40 | without |
| D*MVxxS543C | female screw UNC 4.40 | without |
| D*MxxS543M | without | Metal bracket |
| D*MLxxS543M | insert M3 | Metal bracket |
| D*MOxxS543M | insert UNC 4.40 | Metal bracket |
| D*MVxxS543M | female screw UNC 4.40 | Metal bracket |
| D*MxxS543 | without | Plastic bracket |
| D*MLxxS543 | insert M3 | Plastic bracket |
| D*MOxxS543 | insert UNC 4.40 | Plastic bracket |
| D*MVxxS543 | female screw UNC 4.40 | Plastic bracket |

CROSS REFERENCES HE501 and FCI

| HE501 P/N | FCI P/N | FRONT ACCESSORY | PCB ACCESSORY |
|-------------|------------|-----------------|-----------------|
| HE501PxxVS6 | D*MxxS500 | without | Plastic bracket |
| HE501MxxVS6 | D*MxxS500M | without | Metal bracket |

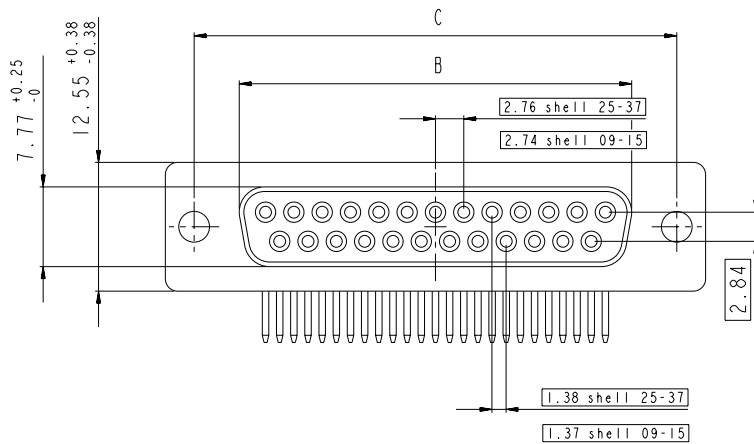
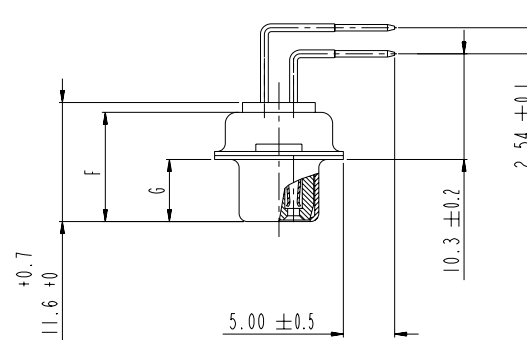
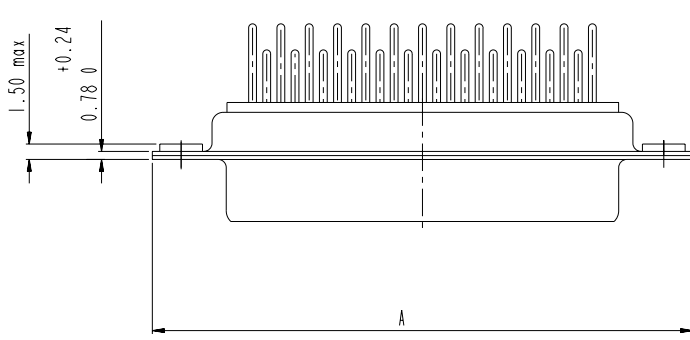
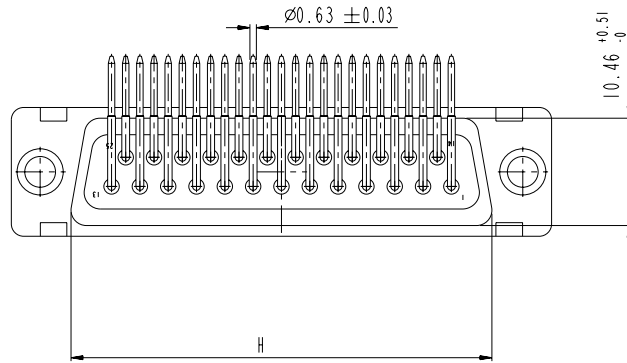
Copyright FCI

| | | | | |
|---|------------|---------------------------------------|-----------------------------------|-------------------|
| www.fciconnect.com | | surface ISO 1302 | tolerance std ISO 406 ISO 1101 | projection mm |
| | | TOLERANCES UNLESS OTHERWISE SPECIFIED | | |
| Dr M PESSON | 2006/11/14 | ANGULAR | 0.X ±0.3 | size A2 Scale 2:1 |
| Eng P LEGARE | 2006/11/14 | LINEAR | 0.XX ±0.1 | ECN LS08-0014 |
| Chr P LEGARE | 2006/11/14 | 0° ±2° | 0.XXX ±0.05 | |
| Appr P LEGARE | 2006/11/14 | Product family | Spec ref | |
|  SUB FEMALE DM HE501 series with right angle contact | | ang no | C01-8637-1736 | |
| catalog no | | CUSTOMER | | sheet 3 of 9 |

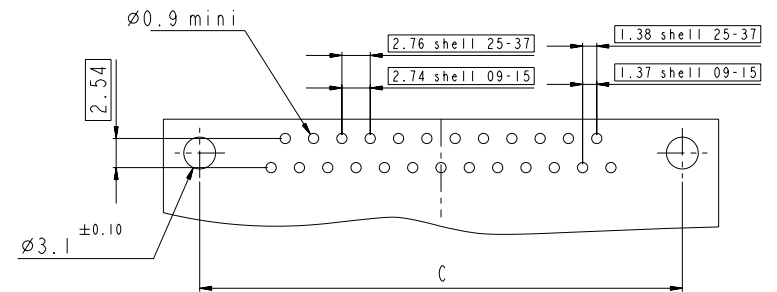
DIMENSION FOR SHELL E, A, B, C WITHOUT BRACKET

Dimensions are in millimeters

| Shell size | Number of contacts | A ^{+0.76} ₋₀ | B ^{+0.25} ₋₀ | C ±0.12 | F ^{+0.57} ₋₀ | G ^{+0.25} ₋₀ | H ^{+0.51} ₋₀ |
|------------|--------------------|----------------------------------|----------------------------------|---------|----------------------------------|----------------------------------|----------------------------------|
| E | 09 | 30.43 | 16.21 | 24.99 | 10.64 | 6.05 | 19.02 |
| A | 15 | 38.76 | 24.54 | 33.32 | 10.64 | 6.05 | 27.25 |
| B | 25 | 52.65 | 38.25 | 47.04 | 10.64 | 6.05 | 41.02 |
| C | 37 | 68.94 | 54.71 | 63.50 | 10.64 | 6.05 | 57.45 |



LAYOUT DIMENSIONS



SCALE: 3

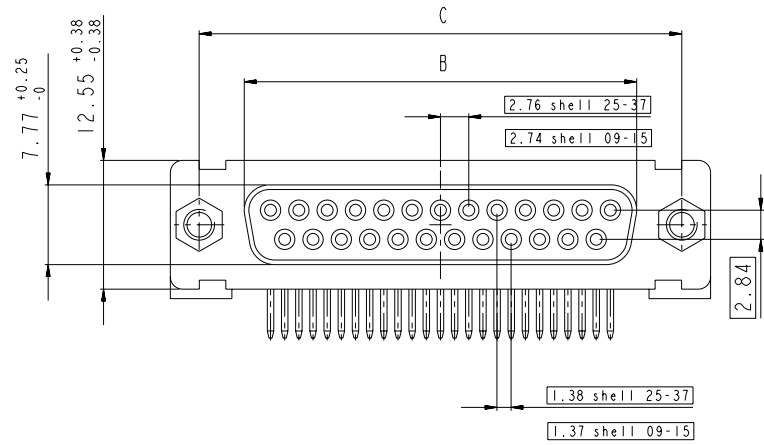
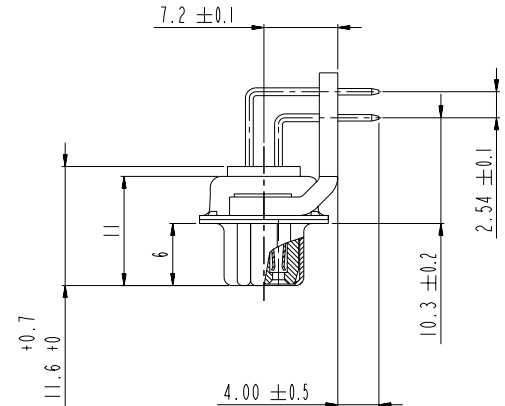
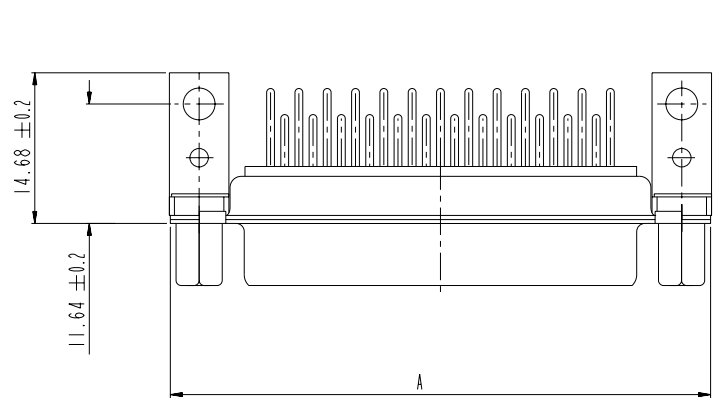
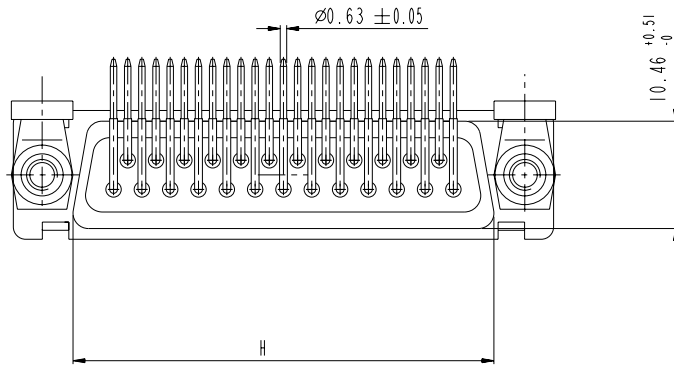
| | | | | | |
|--------------------|----------|---------------------------------------|------------------|---------------|-------------------|
| www.fciconnect.com | | surface - | tolerance std | projection | mm |
| | | ISO 1302 | ISO 406 ISO 1101 | | |
| | | TOLERANCES UNLESS OTHERWISE SPECIFIED | | | |
| Dr | M PESSON | 2006/11/14 | ANGULAR | 0.X ±0.3 | size A2 Scale 2:1 |
| Eng | P LEGARE | 2006/11/14 | LINEAR | 0.XX ±0.1 | |
| Chr | P LEGARE | 2006/11/14 | 0° ±2' | 0.XXX ±0.05 | ECN LS08-0014 |
| Appr | P LEGARE | 2006/11/14 | Product family | - | Spec ref |
| | | SUB FEMALE DM HE501 series | | ang no | Rev. |
| | | with right angle contact | | C01-8637-1736 | B |
| catalog no | | CUSTOMER | | sheet 4 of 9 | |

Copyright fci. FCI

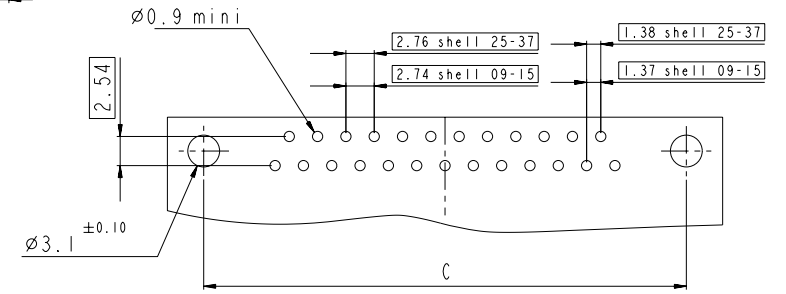
DIMENSION FOR SHELL E,A,B,C WITH METAL BRACKET

Dimensions are in millimeters

| Shell size | Number of contacts | A ^{+0.76} ₋₀ | B ^{+0.25} ₋₀ | C ± 0.12 | F ^{+0.57} ₋₀ | G ^{+0.25} ₋₀ | H ^{+0.51} ₋₀ |
|------------|--------------------|----------------------------------|----------------------------------|--------------|----------------------------------|----------------------------------|----------------------------------|
| E | 09 | 30.43 | 16.21 | 24.99 | 10.64 | 6.05 | 19.02 |
| A | 15 | 38.76 | 24.54 | 33.32 | 10.64 | 6.05 | 27.25 |
| B | 25 | 52.65 | 38.25 | 47.04 | 10.64 | 6.05 | 41.02 |
| C | 37 | 68.94 | 54.71 | 63.50 | 10.64 | 6.05 | 57.45 |



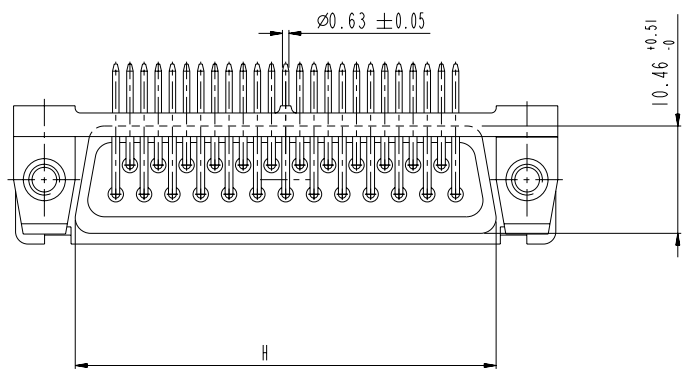
LAYOUT DIMENSIONS



SCALE: 3

| | | | | |
|----------------------------|------------|---------------------------------------|-----------------------------------|-------------------|
| www.fciconnect.com | | surface - ISO 1302 | tolerance std ISO 406 ISO 1101 | projection mm |
| | | TOLERANCES UNLESS OTHERWISE SPECIFIED | | |
| Dr M PESSON | 2006/11/14 | ANGULAR | 0.X ± 0.3 | size A2 Scale 2:1 |
| Eng P LEGARE | 2006/11/14 | LINEAR | 0.XX ± 0.1 | ECN LS08-0014 |
| Chr P LEGARE | 2006/11/14 | $\sigma^\circ \pm 2^\circ$ | 0.XXX ± 0.05 | Spec ref |
| Appr P LEGARE | 2006/11/14 | Product family | | |
| SUB FEMALE DM HE501 series | | ang no | C01-8637-1736 | Rev. B |
| with right angle contact | | catalog no | CUSTOMER | sheet 5 of 9 |

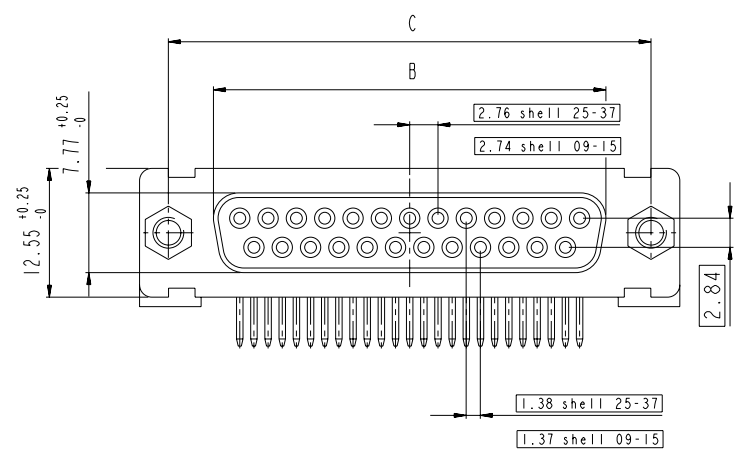
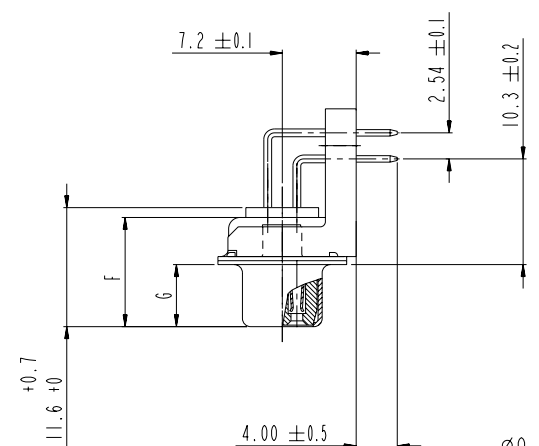
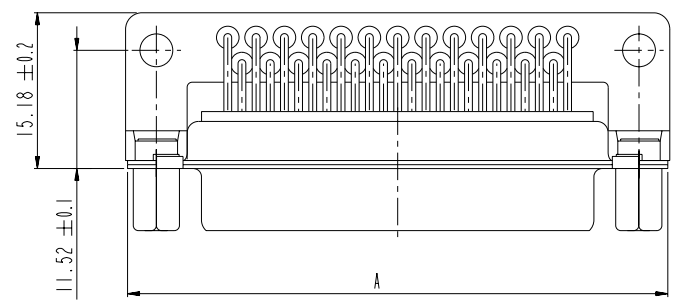
Copyright fci. FCJ



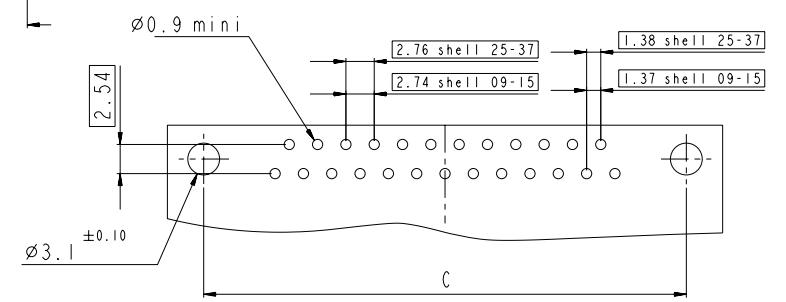
DIMENSIONS FOR SHELL E,A,B,C WITH PLASTIC BRACKET

Dimensions are in millimeters

| Shell size | Number of contacts | A $^{+0.76}_0$ | B $^{+0.25}_0$ | C ± 0.12 | F $^{+0.57}_0$ | G $^{+0.25}_0$ | H $^{+0.51}_0$ |
|------------|--------------------|----------------|----------------|--------------|----------------|----------------|----------------|
| E | 09 | 30.43 | 16.21 | 24.99 | 10.64 | 6.05 | 19.02 |
| A | 15 | 38.76 | 24.54 | 33.32 | 10.64 | 6.05 | 27.25 |
| B | 25 | 52.65 | 38.25 | 47.04 | 10.64 | 6.05 | 41.02 |
| C | 37 | 68.94 | 54.71 | 63.50 | 10.64 | 6.05 | 57.45 |



LAYOUT DIMENSIONS



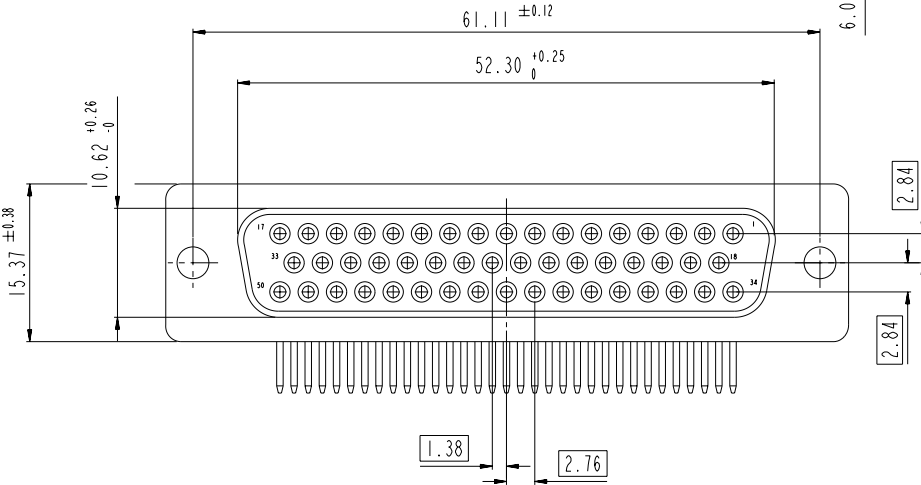
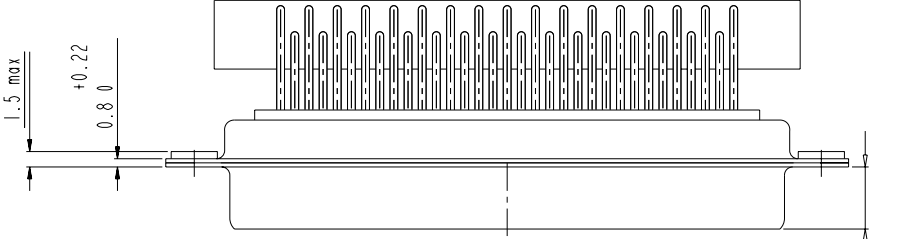
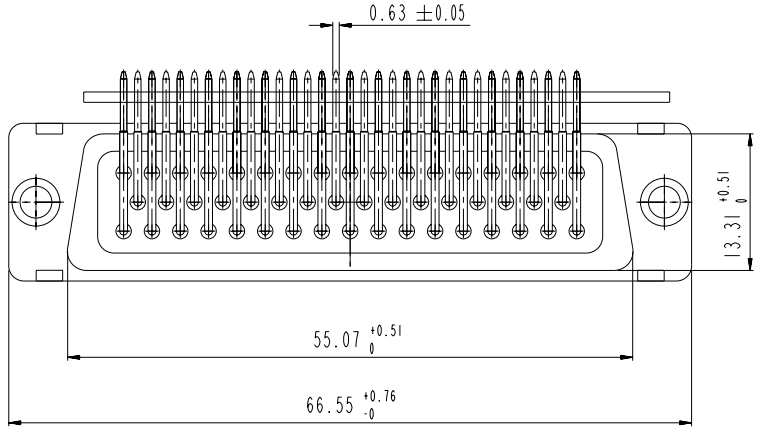
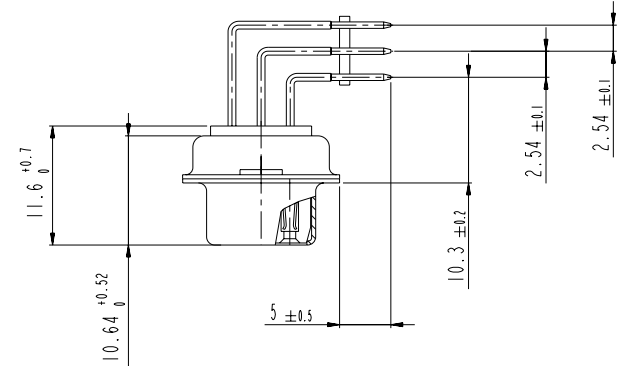
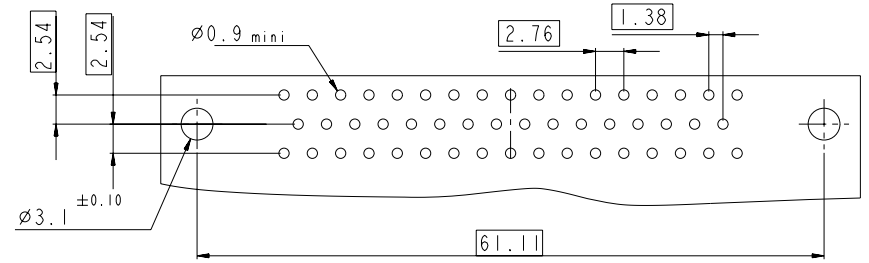
SCALE: 3

| | | | | | |
|--------------------|----------|---------------------------------------|---------------------|------------------|-------------------|
| www.fciconnect.com | | surface - | tolerance std | projection | mm |
| | | ISO 1302 | ISO 406 ISO 1101 | | |
| | | TOLERANCES UNLESS OTHERWISE SPECIFIED | | | |
| Dr | M PESSON | 2006/11/14 | ANGULAR | 0.X ± 0.3 | size A2 Scale 2:1 |
| Eng | P LEGARE | 2006/11/14 | LINEAR | 0.XX ± 0.1 | ECN LS08-0014 |
| Chr | P LEGARE | 2006/11/14 | $\varnothing \pm z$ | 0.XXX ± 0.05 | |
| Appr | P LEGARE | 2006/11/14 | Product family | - | Spec ref |
| | | SUB FEMALE DM HE501 series | | ang no | Rev. |
| | | with right angle contact | | C01-8637-1736 | B |
| catalog no | | CUSTOMER | | sheet 6 of 9 | |

Copyright fci. FCI

DIMENSIONS FOR SHELL SIZE D WITHOUT BRACKET (50 CONTACTS)

LAYOUT DIMENSIONS



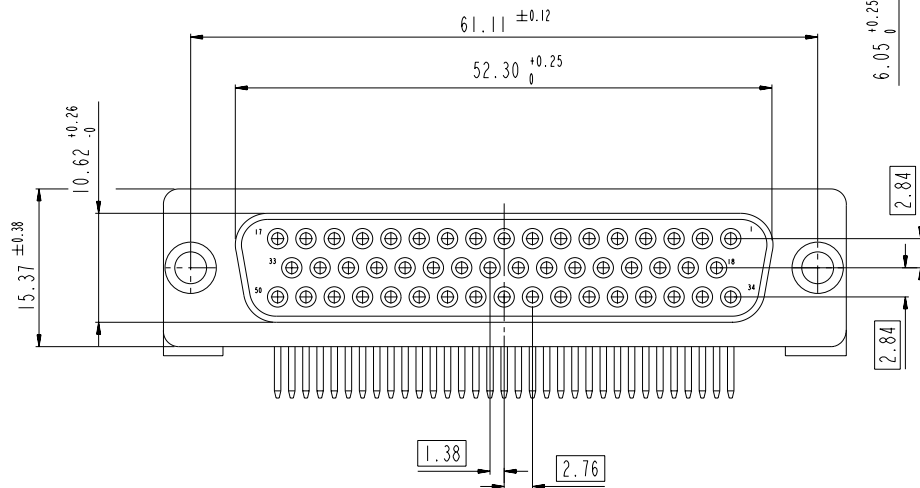
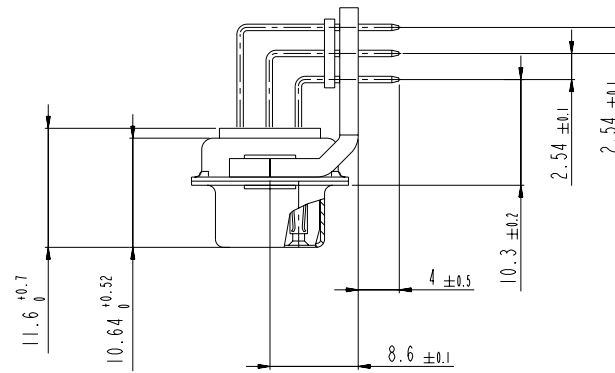
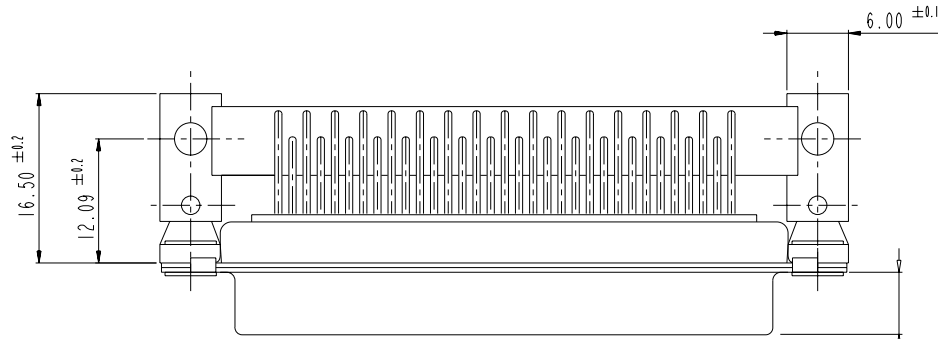
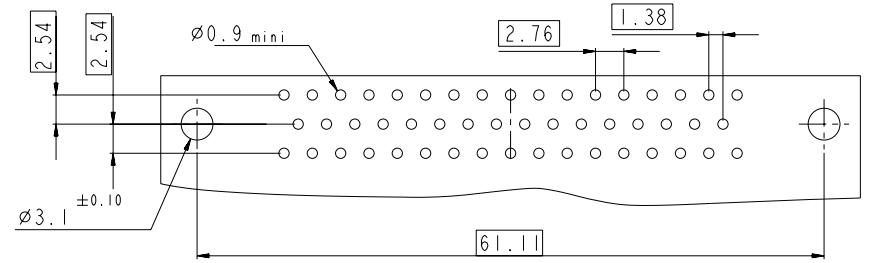
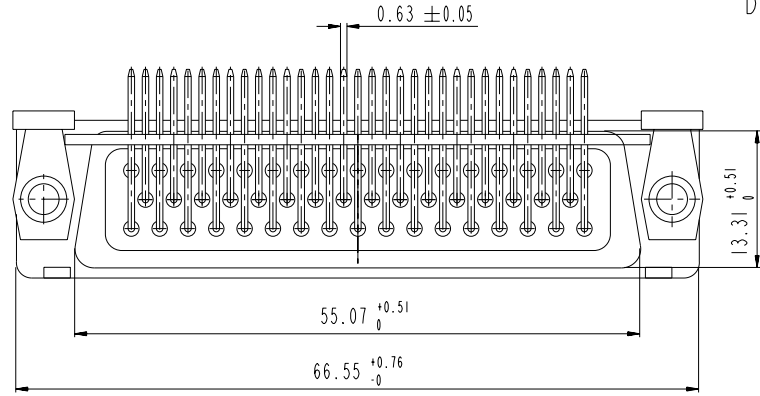
SCALE: 3

| | | | | |
|----------------------------|------------|---------------------------------------|-----------------------------------|-------------------|
| www.fciconnect.com | | surface - ISO 1302 | tolerance std ISO 406 ISO 1101 | projection mm |
| | | TOLERANCES UNLESS OTHERWISE SPECIFIED | | |
| Dr M PESSON | 2006/11/14 | ANGULAR | 0.X ±0.3 | size A2 Scale 2:1 |
| Eng P LEGARE | 2006/11/14 | LINEAR | 0.XX ±0.1 | ECN LS08-0014 |
| Chr P LEGARE | 2006/11/14 | 0° ±2° | 0.XXX ±0.05 | Spec ref |
| Appr P LEGARE | 2006/11/14 | Product family | | |
| SUB FEMALE DM HE501 series | | ang no | C01-8637-1736 | |
| with right angle contact | | Rev. | B | |
| catalog no | | CUSTOMER | sheet 7 of 9 | |

Copyright fci.

DIMENSIONS FOR SHELL SIZE D WITH METAL BRACKET (50 CONTACTS)

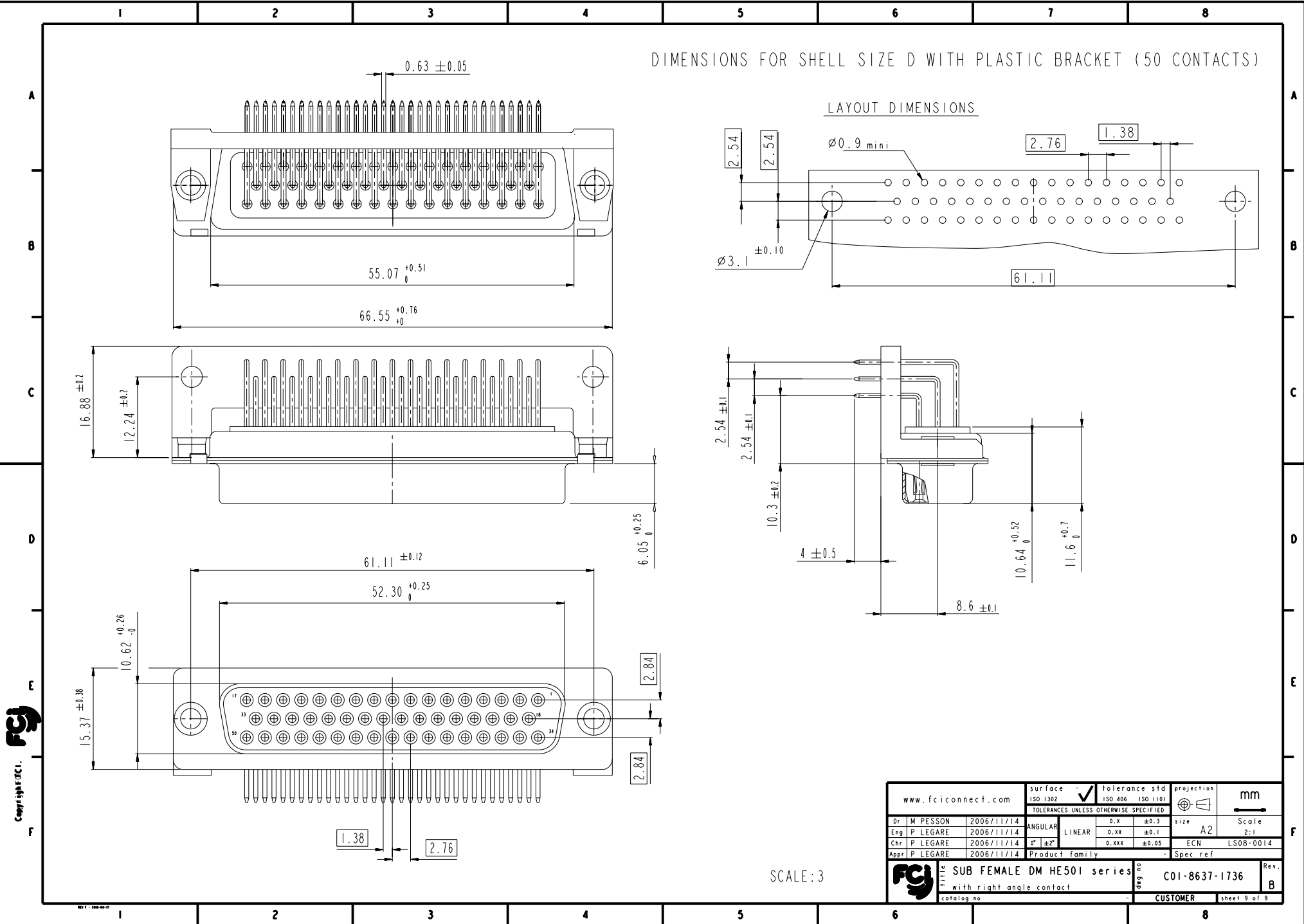
LAYOUT DIMENSIONS



SCALE: 3

| | | | | |
|---|----------|---------------------------------------|-----------------------------------|------------------|
| www.fciconnect.com | | surface - ISO 1302 | tolerance std ISO 406 ISO 1101 | projection mm |
| | | TOLERANCES UNLESS OTHERWISE SPECIFIED | | |
| Dr | M PESSON | 2006/11/14 | ANGULAR | 0.X ± 0.3 |
| Eng | P LEGARE | 2006/11/14 | LINEAR | 0.XX ± 0.1 |
| Chr | P LEGARE | 2006/11/14 | 0° ± 2° | 0.XXX ± 0.05 |
| Appr | P LEGARE | 2006/11/14 | Product family | Spec ref |
| TITLE SUB FEMALE DM HE501 series with right angle contact catalog no | | ang no C01-8637-1736 | | Rev. B |
| CUSTOMER | | | sheet 8 of 9 | |

Copyright fci. fci



Copyright © FCJ

| | | | | |
|---|------------|---------------------------------------|-----------------------------------|------------------|
| www.fciconnect.com | | surface - ISO 1302 | tolerance std ISO 406 ISO 1101 | projection mm |
| | | TOLERANCES UNLESS OTHERWISE SPECIFIED | | |
| Dr M PESSON | 2006/11/14 | ANGULAR | 0.X ±0.3 | size A2 |
| Eng P LEGARE | 2006/11/14 | LINEAR | 0.XX ±0.1 | Scale 2:1 |
| Chr P LEGARE | 2006/11/14 | 0° ±2° | 0.XXX ±0.05 | ECN LS08-0014 |
| Appr P LEGARE | 2006/11/14 | Product family | Spec ref | |
| TITLE SUB FEMALE DM HE501 series with right angle contact catalog no | | ang no | C01-8637-1736 | Rev. B |
| CUSTOMER | | | sheet 9 of 9 | |

SCALE: 3



Компания «ЭлектроПласт» предлагает заключение долгосрочных отношений при поставках импортных электронных компонентов на взаимовыгодных условиях!

Наши преимущества:

- Оперативные поставки широкого спектра электронных компонентов отечественного и импортного производства напрямую от производителей и с крупнейших мировых складов;
- Поставка более 17-ти миллионов наименований электронных компонентов;
- Поставка сложных, дефицитных, либо снятых с производства позиций;
- Оперативные сроки поставки под заказ (от 5 рабочих дней);
- Экспресс доставка в любую точку России;
- Техническая поддержка проекта, помощь в подборе аналогов, поставка прототипов;
- Система менеджмента качества сертифицирована по Международному стандарту ISO 9001;
- Лицензия ФСБ на осуществление работ с использованием сведений, составляющих государственную тайну;
- Поставка специализированных компонентов (Xilinx, Altera, Analog Devices, Intersil, Interpoint, Microsemi, Aeroflex, Peregrine, Syfer, Eurofarad, Texas Instrument, Miteq, Cobham, E2V, MA-COM, Hittite, Mini-Circuits, General Dynamics и др.);

Помимо этого, одним из направлений компании «ЭлектроПласт» является направление «Источники питания». Мы предлагаем Вам помощь Конструкторского отдела:

- Подбор оптимального решения, техническое обоснование при выборе компонента;
- Подбор аналогов;
- Консультации по применению компонента;
- Поставка образцов и прототипов;
- Техническая поддержка проекта;
- Защита от снятия компонента с производства.



Как с нами связаться

Телефон: 8 (812) 309 58 32 (многоканальный)

Факс: 8 (812) 320-02-42

Электронная почта: org@eplast1.ru

Адрес: 198099, г. Санкт-Петербург, ул. Калинина, дом 2, корпус 4, литера А.