

1 2 3 4 5 6

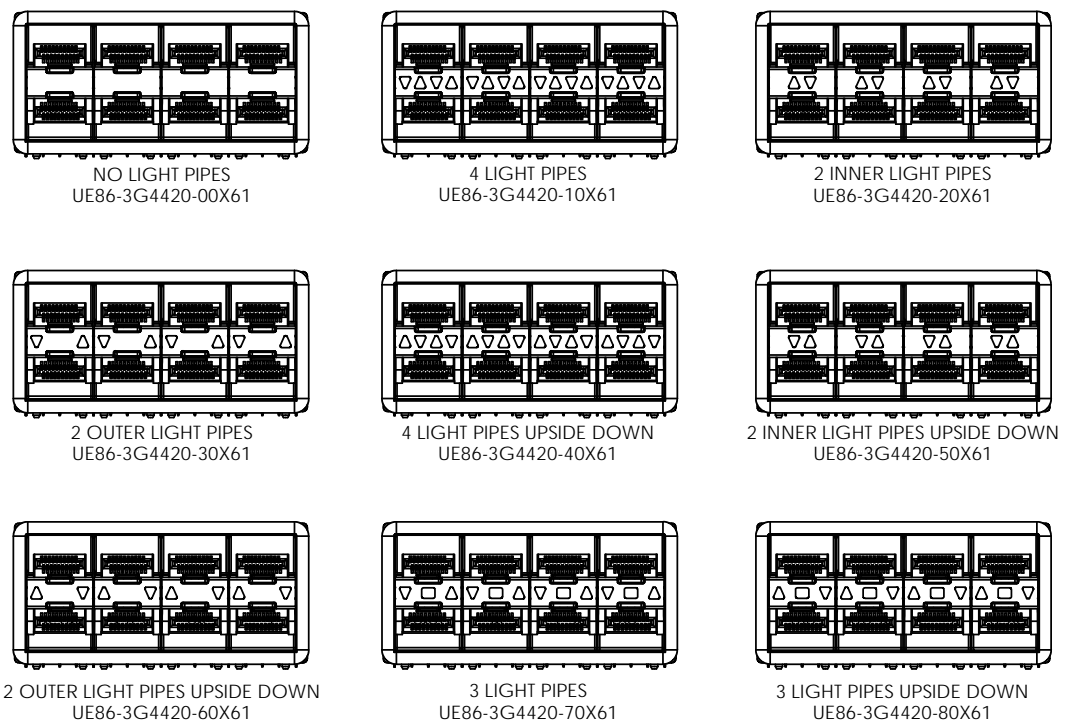
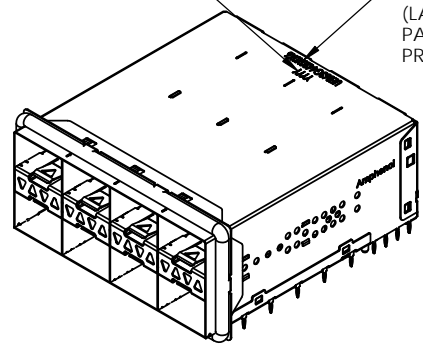
AMPHENOL PART NUMBER CONFIGURATION
 UE86-3G4420-X0X61

- LIGHT PIPE OPTION**
 0 - NO LIGHT PIPE
 1 - 4 LP PER 2X1, NORMAL ORIENTATION
 2 - 2 INNER LP PER 2X1, NORMAL ORIENTATION
 3 - 2 OUTER LP PER 2X1, NORMAL ORIENTATION
 4 - 4 LP PER 2X1, REVERSING ORIENTATION
 5 - 2 INNER LP PER 2X1, REVERSING ORIENTATION
 6 - 2 OUTER LP PER 2X1, REVERSING ORIENTATION
 7 - 3 LP PER 2X1, 2 OUTER LP, NORMAL ORIENTATION
 8 - 3 LP PER 2X1, 2 OUTER LP, REVERSING ORIENTATION

- PACKAGING**
 1 - TRAY PACKAGING (STACKED)
- PLATING OPTIONS FOR CONNECTOR**
 2 - 30µ" GOLD PLATING ON MATING AREA
 15-100µ" MATTE TIN ON TERMINATION
 3 - 30µ" GOLD PLATING ON MATING AREA
 150-300µ" MATTE TIN ON TERMINATION
 5 - 15µ" GOLD PLATING ON MATING AREA
 15-100µ" MATTE TIN ON TERMINATION
 6 - 15µ" GOLD PLATING ON MATING AREA
 150-300µ" MATTE TIN ON TERMINATION

REVISIONS				
REV.	ECN NO.	DESCRIPTION	DATE	APPROVED
B		CONFIGURATION VIEWS UPDATE	NOV 07/13	J. SI
C		UPDATE PLATING OPTIONS	JUN 25/14	J.SI
D		UPDATE NOTES	AUG 19/14	J.SI

DATE CODE
 PART NUMBER (LAST DIGIT INDICATING PACKAGING TYPE, NOT PRINTED ON THE PART)



MATERIAL: (RoHS COMPLIANT)

- CAGE - PRESS FIT: COPPER ALLOY (NICKEL SILVER)
- CONNECTOR - PRESS FIT:
 - PLASTIC HOUSING: LCP, FLAMMABILITY RATING UL94-V0
 - CONTACTS: PHOSPHOR BRONZE
- LIGHT PIPE: CLEAR POLYCARBONATE, FLAMMABILITY RATING UL94-V0
- PACKAGING: TRAY PACKAGING
- TEMPERATURE RANGE: -40°C TO +85°C
- EMI GASKET: CONDUCTIVE ELASTOMER UL94-V0



THIS DOCUMENT CONTAINS PROPRIETARY INFORMATION AND SUCH INFORMATION MAY NOT BE DISCLOSED TO OTHERS FOR ANY PURPOSE OR USED FOR MANUFACTURING PURPOSES WITHOUT WRITTEN PERMISSION FROM AMPHENOL CANADA CORP.

UNLESS SPECIFIED OTHERWISE	DRAWN	P. OU	SEP 03/13
DIMENSIONS ARE IN MILLIMETERS	CHECKED	J. SI	SEP 06/13
REFERENCE IN PARENTHESES	M.E. APP'D		
GENERAL TOLERANCES	Q.A. APP'D		
1 DECIMAL PLACE ±0.25	DWG APP'D	J. SI	SEP 06/13
2 DECIMAL PLACE ±0.15	MATERIAL AND FINISH	SEE NOTES	
3 DECIMAL PLACE N/A	REF.	ECN EXXXX	
ANGULAR DEGREES ±1°	THIRD ANGLE PROJECTION		
ENG. REL. NO.	DO NOT SCALE DRAWING		

Amphenol High Speed Interconnects
 A Division of Amphenol Corp. www.amphenolcanada.com

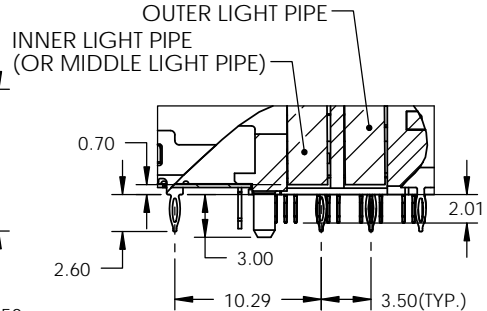
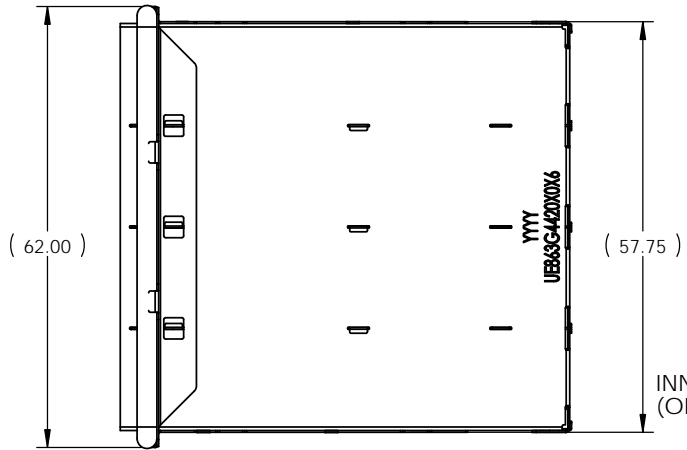
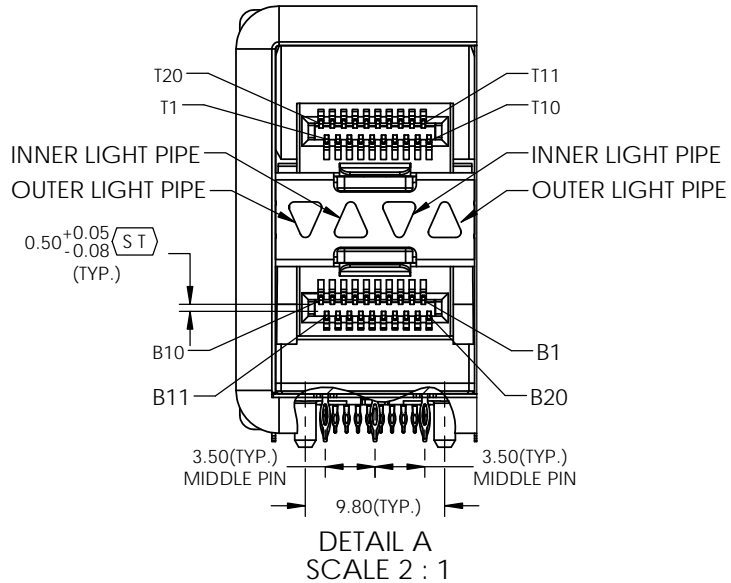
2X4 SFP ULTRAPORT WITH LIGHT PIPE OPTIONS AND EMI GASKET

DWG. NO. P-UE86-3G4420-X0X61 REV D

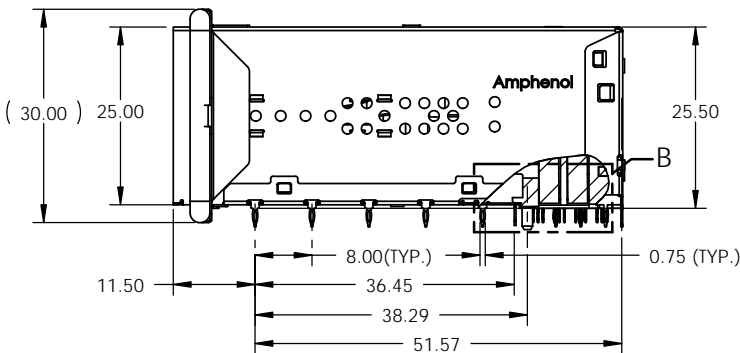
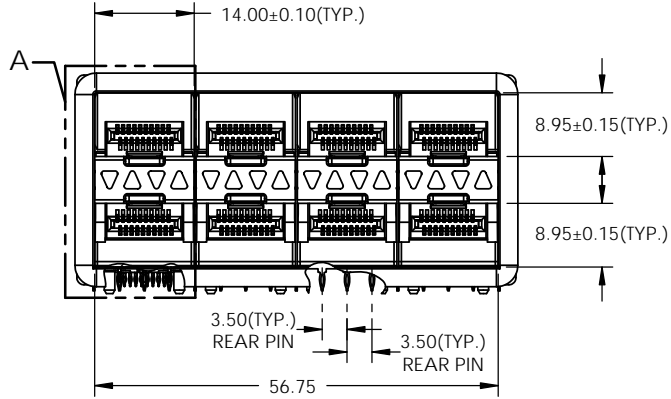
CODE ID NO. 03554 DWG SIZE: A4 SCALE: 2:3 SHEET 1 OF 5

1 2 3

REVISIONS				
REV.	ECN NO.	DESCRIPTION	DATE	APPROVED
B		CONFIGURATION VIEWS UPDATE	NOV 07/13	J. SI
C		UPDATE PLATING OPTIONS	JUN 25/14	J.SI
D		UPDATE NOTES	AUG 19/14	J.SI



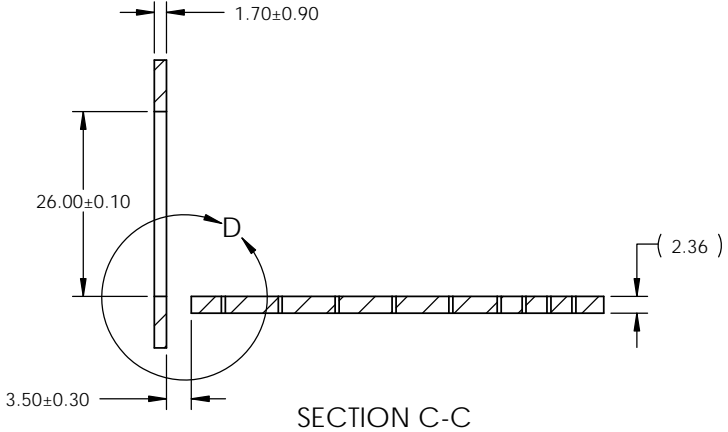
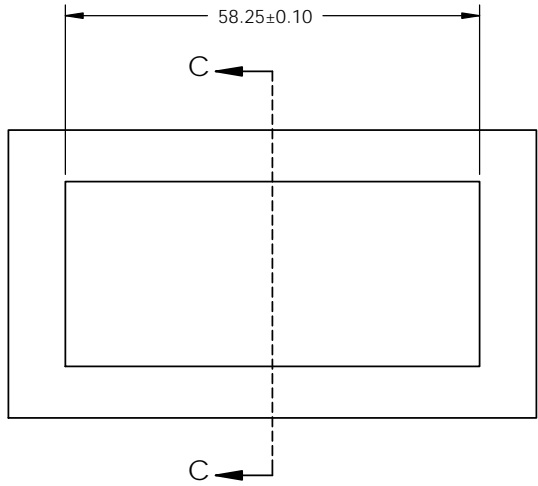
DETAIL B
SCALE 2 : 1



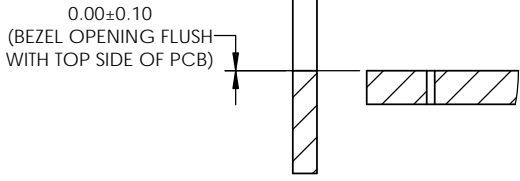
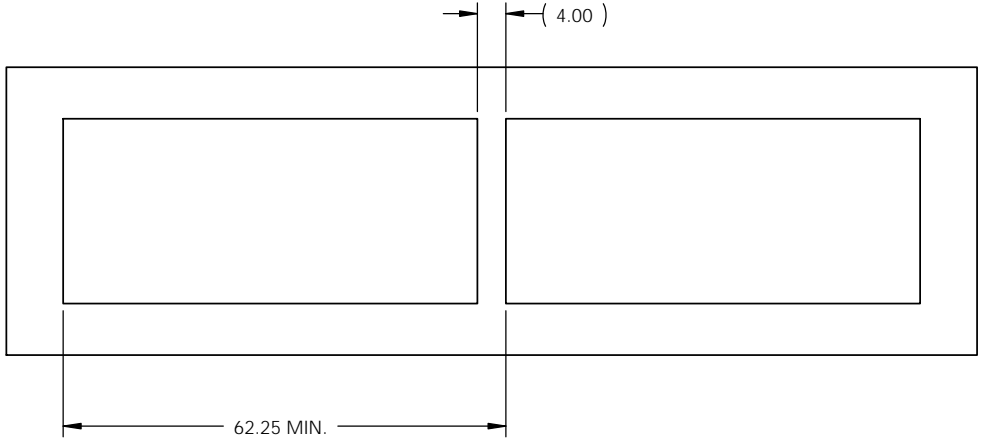
THIS DOCUMENT CONTAINS PROPRIETARY INFORMATION AND SUCH INFORMATION MAY NOT BE DISCLOSED TO OTHERS FOR ANY PURPOSE OR USED FOR MANUFACTURING PURPOSES WITHOUT WRITTEN PERMISSION FROM AMPHENOL CANADA CORP.

UNLESS SPECIFIED OTHERWISE DIMENSIONS ARE IN MILLIMETERS REFERENCE IN PARENTHESES GENERAL TOLERANCES	DRAWN P. OU CHECKED J. SI M.E. APP'D Q.A. APP'D DWG APP'D J. SI MATERIAL AND FINISH REF. ECN Exxxxx	SEP 03/13 SEP 06/13	Amphenol High Speed Interconnects A Division of Amphenol Corp. www.amphenolcanada.com 2X4 SFP ULTRAPORT WITH LIGHT PIPE OPTIONS AND EMI GASKET	DWG. NO.	REV
1 DECIMAL PLACE ±0.25 2 DECIMAL PLACE ±0.15 3 DECIMAL PLACE N/A ANGULAR DEGREES ±1° ENG. REL. NO.	SEE NOTES	SEP 06/13		P-UE86-3G4420-X061	D
UNLESS SPECIFIED OTHERWISE DIMENSIONS ARE IN MILLIMETERS REFERENCE IN PARENTHESES GENERAL TOLERANCES 1 DECIMAL PLACE ±0.25 2 DECIMAL PLACE ±0.15 3 DECIMAL PLACE N/A ANGULAR DEGREES ±1° ENG. REL. NO.			CODE ID NO. 03554 DWG SIZE: A4 SCALE: 1:1 SHEET 2 OF 5		

REVISIONS				
REV.	ECN NO.	DESCRIPTION	DATE	APPROVED
B		CONFIGURATION VIEWS UPDATE	NOV 07/13	J. SI
C		UPDATE PLATING OPTIONS	JUN 25/14	J.SI
D		UPDATE NOTES	AUG 19/14	J.SI



SECTION C-C

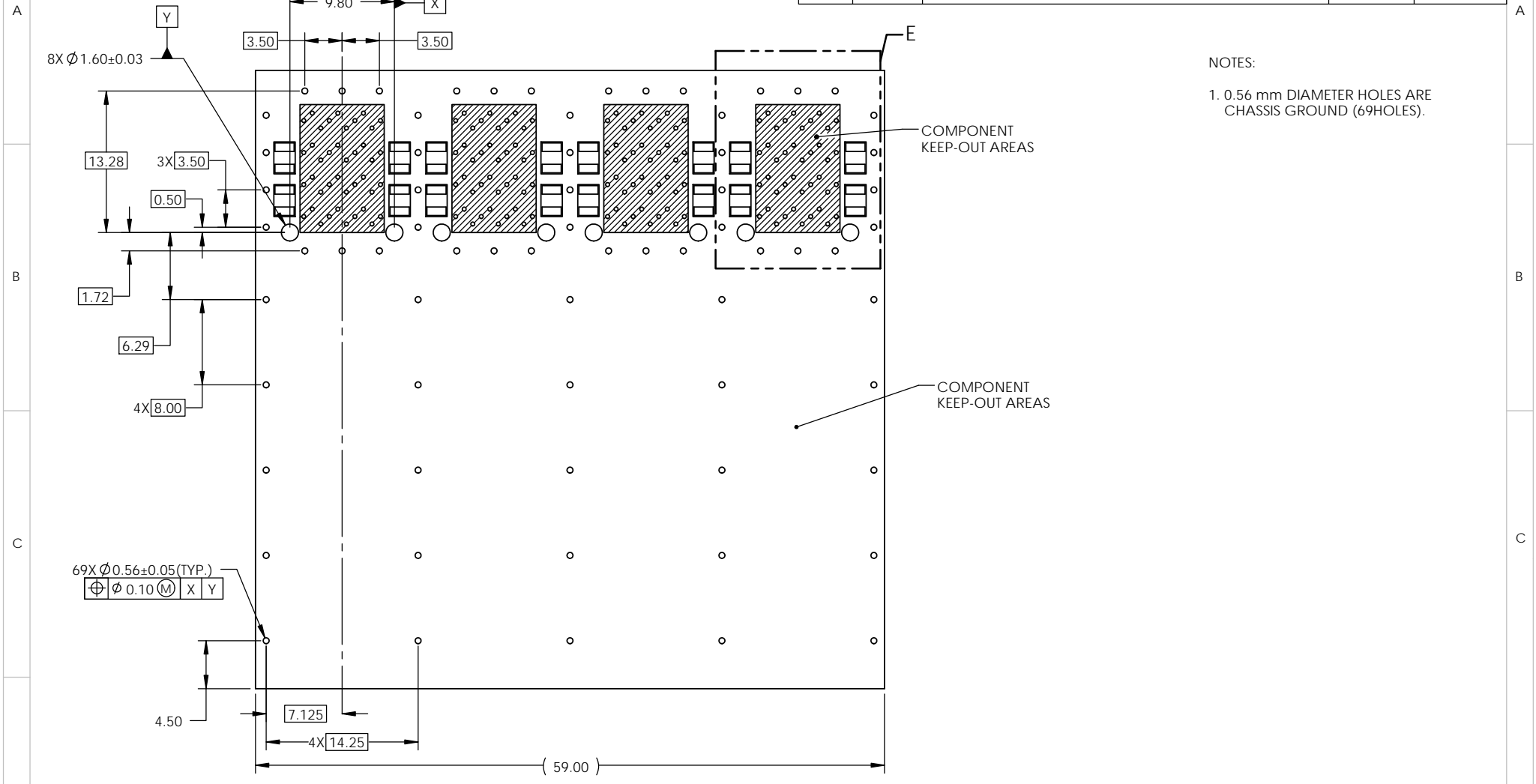


DETAIL D
SCALE 2 : 1

THIS DOCUMENT CONTAINS PROPRIETARY INFORMATION AND SUCH INFORMATION MAY NOT BE DISCLOSED TO OTHERS FOR ANY PURPOSE OR USED FOR MANUFACTURING PURPOSES WITHOUT WRITTEN PERMISSION FROM AMPHENOL CANADA CORP.

UNLESS SPECIFIED OTHERWISE DIMENSIONS ARE IN MILLIMETERS		DRAWN P. OU SEP 03/13	Amphenol High Speed Interconnects A Division of Amphenol Corp. www.amphenolcanada.com
REFERENCE IN PARENTHESES		CHECKED J. SI SEP 06/13	
GENERAL TOLERANCES		M.E. APP'D	
1 DECIMAL PLACE ±0.25		Q.A. APP'D	
2 DECIMAL PLACE ±0.15		DWG APP'D J. SI SEP 06/13	2X4 SFP ULTRAPORT WITH LIGHT PIPE OPTIONS AND EMI GASKET
3 DECIMAL PLACE N/A		MATERIAL AND FINISH SEE NOTES	
ANGULAR DEGREES ±1°		REF. ECN Exxxxx	DWG. NO. P-UE86-3G4420-X0X61
ENG. REL. NO.		THIRD ANGLE PROJECTION	DO NOT SCALE DRAWING
		CODE ID NO. 03554	DWG SIZE: A4
		SCALE: 1:1	SHEET 3 OF 5

REVISIONS				
REV.	ECN NO.	DESCRIPTION	DATE	APPROVED
B		CONFIGURATION VIEWS UPDATE	NOV 07/13	J. SI
C		UPDATE PLATING OPTIONS	JUN 25/14	J.SI
D		UPDATE NOTES	AUG 19/14	J.SI



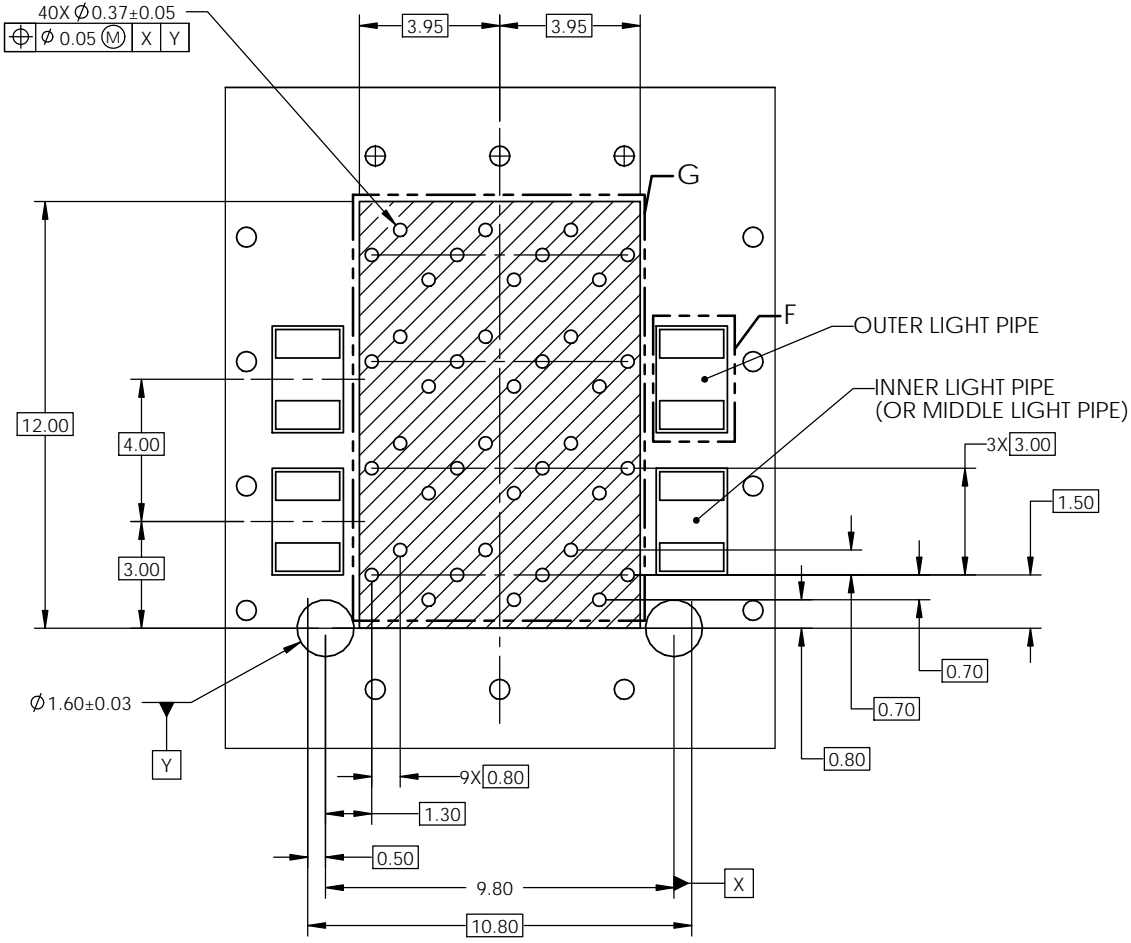
NOTES:
1. 0.56 mm DIAMETER HOLES ARE CHASSIS GROUND (69HOLES).

2X4 PCB LAYOUT

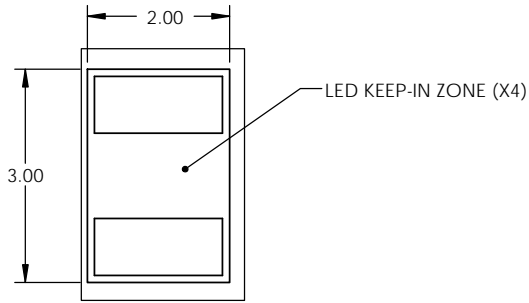
THIS DOCUMENT CONTAINS PROPRIETARY INFORMATION AND SUCH INFORMATION MAY NOT BE DISCLOSED TO OTHERS FOR ANY PURPOSE OR USED FOR MANUFACTURING PURPOSES WITHOUT WRITTEN PERMISSION FROM AMPHENOL CANADA CORP.

UNLESS SPECIFIED OTHERWISE DIMENSIONS ARE IN MILLIMETERS	DRAWN P. OU SEP 03/13	Amphenol High Speed Interconnects A Division of Amphenol Corp. www.amphenolcanada.com 2X4 SFP ULTRAPORT WITH LIGHT PIPE OPTIONS AND EMI GASKET	DWG. NO. P-UE86-3G4420-X0X61 REV D
REFERENCE IN PARENTHESES	CHECKED J. SI SEP 06/13		
GENERAL TOLERANCES	M.E. APP'D		
1 DECIMAL PLACE ±0.25	Q.A. APP'D		
2 DECIMAL PLACE ±0.15	DWG APP'D J. SI SEP 06/13	MATERIAL AND FINISH SEE NOTES	DWG. NO.
3 DECIMAL PLACE N/A	REF. ECN Exxxxx	DO NOT SCALE DRAWING	CODE ID NO. 03554 DWG SIZE: A4 SCALE: 2:1 SHEET 4 OF 5
ANGULAR DEGREES ±1°	THIRD ANGLE PROJECTION		
ENG. REL. NO.			

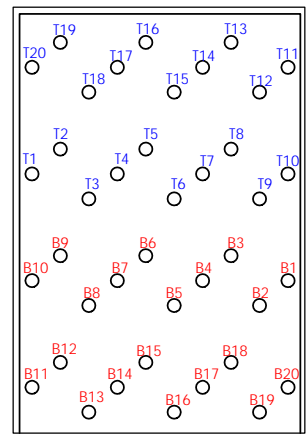
REVISIONS				
REV.	ECN NO.	DESCRIPTION	DATE	APPROVED
B		CONFIGURATION VIEWS UPDATE	NOV 07/13	J. SI
C		UPDATE PLATING OPTIONS	JUN 25/14	J.SI
D		UPDATE NOTES	AUG 19/14	J.SI



DETAIL E
SCALE 5 : 1



DETAIL F
SCALE 10 : 1



DETAIL G
SCALE 5 : 1

THIS DOCUMENT CONTAINS PROPRIETARY INFORMATION AND SUCH INFORMATION MAY NOT BE DISCLOSED TO OTHERS FOR ANY PURPOSE OR USED FOR MANUFACTURING PURPOSES WITHOUT WRITTEN PERMISSION FROM AMPHENOL CANADA CORP.

UNLESS SPECIFIED OTHERWISE	DRAWN	P. OU	SEP 03/13
DIMENSIONS ARE IN MILLIMETERS	CHECKED	J. SI	SEP 06/13
REFERENCE IN PARENTHESES	M.E. APP'D		
GENERAL TOLERANCES	Q.A. APP'D		
1 DECIMAL PLACE ±0.25	DWG APP'D	J. SI	SEP 06/13
2 DECIMAL PLACE ±0.15	MATERIAL AND FINISH	SEE NOTES	
3 DECIMAL PLACE N/A	REF.	ECN Exxxxx	
ANGULAR DEGREES ±1°	THIRD ANGLE PROJECTION	DO NOT SCALE DRAWING	
ENG. REL. NO.			

Amphenol High Speed Interconnects A Division of Amphenol Corp. www.amphenolcanada.com			
2X4 SFP ULTRAPORT WITH LIGHT PIPE OPTIONS AND EMI GASKET			
DWG. NO.	P-UE86-3G4420-X0X61		REV D
CODE ID NO.	03554	DWG SIZE: A4	SCALE: 2:1 SHEET 5 OF 5



Компания «ЭлектроПласт» предлагает заключение долгосрочных отношений при поставках импортных электронных компонентов на взаимовыгодных условиях!

Наши преимущества:

- Оперативные поставки широкого спектра электронных компонентов отечественного и импортного производства напрямую от производителей и с крупнейших мировых складов;
- Поставка более 17-ти миллионов наименований электронных компонентов;
- Поставка сложных, дефицитных, либо снятых с производства позиций;
- Оперативные сроки поставки под заказ (от 5 рабочих дней);
- Экспресс доставка в любую точку России;
- Техническая поддержка проекта, помощь в подборе аналогов, поставка прототипов;
- Система менеджмента качества сертифицирована по Международному стандарту ISO 9001;
- Лицензия ФСБ на осуществление работ с использованием сведений, составляющих государственную тайну;
- Поставка специализированных компонентов (Xilinx, Altera, Analog Devices, Intersil, Interpoint, Microsemi, Aeroflex, Peregrine, Syfer, Eurofarad, Texas Instrument, Miteq, Cobham, E2V, MA-COM, Hittite, Mini-Circuits, General Dynamics и др.);

Помимо этого, одним из направлений компании «ЭлектроПласт» является направление «Источники питания». Мы предлагаем Вам помощь Конструкторского отдела:

- Подбор оптимального решения, техническое обоснование при выборе компонента;
- Подбор аналогов;
- Консультации по применению компонента;
- Поставка образцов и прототипов;
- Техническая поддержка проекта;
- Защита от снятия компонента с производства.



Как с нами связаться

Телефон: 8 (812) 309 58 32 (многоканальный)

Факс: 8 (812) 320-02-42

Электронная почта: org@eplast1.ru

Адрес: 198099, г. Санкт-Петербург, ул. Калинина, дом 2, корпус 4, литера А.