

Type Z Lighting Capacitors, 90 °C Rated, Oil Filled

AC Rated, Oil Filled/Impregnated, Metallized Polypropylene Capacitors



[Click here to view hardware](#)

For better performance in HID Lighting and HV Ballasts, Type Z oval and round oil filled metallized polypropylene lighting capacitors are built for operating in the high temperature environments for high intensity discharge (HID) lighting and other high voltage ballast applications. Each HID catalog capacitor includes an external resistor that discharges the capacitor to less than 50V in one minute, and the oil filled process assures better reliability than dry capacitors.

Highlights

- Meets EIA Standard EIA-456-A
- Dual rated HID
- Dual or triple value caps for sign ballast
- UL-810 Fault current protection

Specifications

| | |
|---|---------------------------|
| Capacitance Range | 5.0 μ F to 65 μ F |
| Capacitance Tolerance | \pm 3% |
| Rated Voltage | 240 Vac to 525 Vac |
| Operating Temperature Range with Ripple | -40 °C to +90 °C |
| Approval Certification | UL cUL |
| RoHS Compliant | |

Part Numbering System

| Z | 73 | S | 40 | 26 | M | N |
|------|--|--|------------------------------|------------------------------------|---|----------------|
| Type | Can Size | Impregnant | Voltage Ratings | Capacitance Code | Voltage/ Capacity Descriptor | CDE Factory |
| Z | 73 = 1.75" Rd 74 = 2" Rd 76 = 2.50" Rd 91 = 1.25" Oval 92 = 1.50" Oval 93 = 1.75" Oval 94 = 2.00" Oval 81 = 30 mm Rd 83 = 40 mm Rd 84 = 45 mm Rd 85 = 50 mm Rd | S = Epoxidized Soy Bean Oil W = Dry w/ wire A = Dry w/ QC | 33 = 330 VAC 40 = 400 VAC | 26 = 26 μ F 40 = 40 μ F | 90°C Full Life 100°C Full Life 100°C Reduced Life | |

Ratings

| CAP (μ F) | CD-AERO P/N | BASE SIZE | CAN HEIGHT Inches (mm) |
|---------------------------------------|-------------|-----------|---------------------------|
| 240 VAC, 90°C Case Temperature | | | |
| 35 | Z92S2435MN | B | 3.75 (95.3) |
| 40 | Z92S2440MN | B | 3.75 (95.3) |
| 45 | Z92S2445MN | B | 3.75 (95.3) |
| 52 | Z92S2452MN | B | 3.75 (95.3) |
| 55 | Z92S2455MN | B | 3.75 (95.3) |
| 300 VAC, 90°C Case Temperature | | | |
| 5 | Z91S3005MN | A | 2.19 (55.6) |
| 6 | Z91S3006MN | A | 2.19 (55.6) |
| 12 | Z91S3012MN | A | 2.88 (73.2) |
| 14 | Z92S3014MN | B | 2.75 (69.9) |
| 28 | Z93S3028MN | C | 3.13 (79.5) |

| CAP (μ F) | CD-AERO P/N | BASE SIZE | CAN HEIGHT Inches (mm) |
|---------------------------------------|-------------|-----------|---------------------------|
| 300 VAC, 90°C Case Temperature | | | |
| 40 | Z93S3040MN | C | 3.25 (82.6) |
| 55 | Z93S3055MN | C | 3.88 (98.6) |
| 64 | Z93S3064MN | C | 4.25 (108) |
| 330 VAC, 90°C Case Temperature | | | |
| 7 | Z91S3307MN | A | 2.19 (55.6) |
| 8 | Z91S3308MN | A | 2.19 (55.6) |
| 10 | Z91S3310MN | A | 2.69 (68.3) |
| 12 | Z91S3312MN | A | 2.88 (73.2) |
| 14 | Z91S3314MN | A | 2.88 (73.2) |
| 16 | Z91S3316MN | A | 3.75 (95.3) |
| 17.5 | Z92S3317NN | B | 3.13 (79.5) |

Type Z Lighting Capacitors, 90 °C Rated, Oil Filled

AC Rated, Oil Filled/Impregnated, Metallized Polypropylene Capacitors

Oil-Filled, Oval Metal Case

Rated for 60,000 hours

| CAP (μF) | CD-AERO P/N | BASE SIZE | CAN HEIGHT Inches (mm) |
|---------------------------------------|-------------|-----------|------------------------|
| 330 VAC, 90°C Case Temperature | | | |
| 24 | Z93S3324MN | C | 2.75 (69.9) |
| 26 | Z93S3326MN | C | 3.13 (79.5) |
| 29 | Z93S3329MN | C | 3.13 (79.5) |
| 30 | Z93S3330MN | C | 3.13 (79.5) |
| 34 | Z93S3334MN | C | 3.13 (79.5) |
| 35 | Z93S3335MN | C | 3.13 (79.5) |
| 48 | Z93S3348MN | C | 3.88 (98.6) |
| 400 VAC, 90°C Case Temperature | | | |
| 10 | Z92S4010MN | B | 2.75 (69.9) |
| 15 | Z93S4015MN | C | 2.75 (69.9) |
| 21 | Z93S4021MN | C | 3.13 (79.5) |
| 22.5 | Z93S4022NN | C | 3.13 (79.5) |
| 24 | Z93S4024MN | C | 3.13 (79.5) |
| 480 VAC, 90°C Case Temperature | | | |
| 3 | Z91S4803MN | A | 2.25 (57.2) |
| 4 | Z91S4804MN | A | 2.69 (68.3) |
| 5 | Z91S4805MN | A | 2.88 (73.2) |
| 6 | Z92S4806MN | B | 2.75 (69.9) |
| 10 | Z92S4810MN | B | 2.75 (69.9) |
| 12 | Z93S4812MN | C | 3.13 (79.5) |
| 15 | Z92S4815MN | B | 3.75 (95.3) |
| 20 | Z93S4820MN | C | 3.75 (95.3) |
| 21 | Z93S4821MN | C | 3.75 (95.3) |
| 22 | Z93S4822MN | C | 3.88 (98.6) |
| 24 | Z93S4824PN | C | 3.88 (98.6) |
| 26 | Z93S4826MN | C | 3.88 (98.6) |
| 28 | Z93S4828PN | C | 3.88 (98.6) |
| 525 VAC, 90°C Case Temperature | | | |
| 16 | Z93S5216NN | C | 3.13 (79.5) |
| 24 | Z93S5224NN | C | 4.25 (108.0) |
| 26 | Z93S5226NN | C | 4.25 (108.0) |
| 26 | Z94S5226NN | D | 2.88 (73.2) |
| 32 | Z93S5232NN | C | 4.75 (120.7) |
| 32 | Z94S5232NN | D | 3.75 (95.3) |

| CAP (μF) | CD-AERO P/N | BASE SIZE | CAN HEIGHT Inches (mm) | VAC |
|--|-------------|-----------|------------------------|-----|
| 400-525 VAC, 100°C Case Temperature | | | | |
| 24 | Z94S4024BN | D | 3.25 (82.6) | 400 |
| 24 | Z94S4824BN | D | 3.75 (95.3) | 480 |
| 21 | Z94S5221JN | D | 3.75 (95.3) | 525 |
| 26 | Z94S5226JN | D | 3.75 (95.3) | 525 |

Oil-Filled, Round Metal Case

Rated for 60,000 hours

| CAP (μF) | CD-AERO P/N | BASE SIZE | CAN HEIGHT Inches (mm) |
|---|-------------|-----------|------------------------|
| 300 VAC, 90°C Case Temperature | | | |
| 8 | Z73S3008MN | P | 2.17 (55.1) |
| 14 | Z73S3014MN | P | 2.38 (60.5) |
| 22.5 | Z73S3022NN | P | 2.88 (73.2) |
| 330 VAC, 90°C Case Temperature | | | |
| 5 | Z73S3305MN | P | 2.25 (57.2) |
| 7 | Z73S3307MN | P | 2.88 (73.2) |
| 12 | Z73S3312MN | P | 2.38 (60.5) |
| 14 | Z73S3314MN | P | 2.88 (73.2) |
| 28 | Z73S3328MN | P | 3.15 (80.0) |
| 400 VAC, 90°C Case Temperature VAC | | | |
| 10 | Z73S4010MN | P | 2.38 (60.5) |
| 15 | Z73S4015MN | P | 2.88 (73.2) |
| 22.5 | Z73S4022NN | P | 3.75 (95.3) |
| 24 | Z73S4024MN | P | 3.75 (95.3) |
| 480 VAC, 90°C Case Temperature | | | |
| 10 | Z73S4810MN | P | 2.88 (73.2) |
| 24 | Z74S4824MN | S | 3.25 (82.6) |
| 24 | Z76S4824MN | T | 3.15 (80.0) |
| 525 VAC, 90°C Case Temperature | | | |
| 26 | Z74S5226NN | S | 4.75 (120.7) |
| 32 | Z74S5232NN | S | 4.92 (125.0) |
| 32 | Z76S5232NN | T | 3.55 (90.2) |

| CAP (μF) | CD-AERO P/N | BASE SIZE | CAN HEIGHT Inches (mm) | VAC |
|--|-------------|-----------|------------------------|-----|
| 400-480 VAC, 100°C Case Temperature | | | | |
| 10 | Z73S4010BN | P | 2.38 (60.5) | 400 |
| 15 | Z73S4015BN | P | 3.25 (82.6) | 400 |
| 24 | Z74S4024BN | S | 3.75 (95.3) | 400 |
| 24 | Z74S4824BN | S | 4.25 (108.0) | 480 |

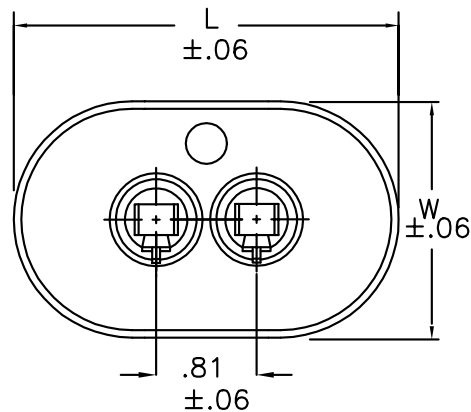
Type Z Lighting Capacitors, 90 °C Rated, Oil Filled

AC Rated, Oil Filled/Impregnated, Metallized Polypropylene Capacitors

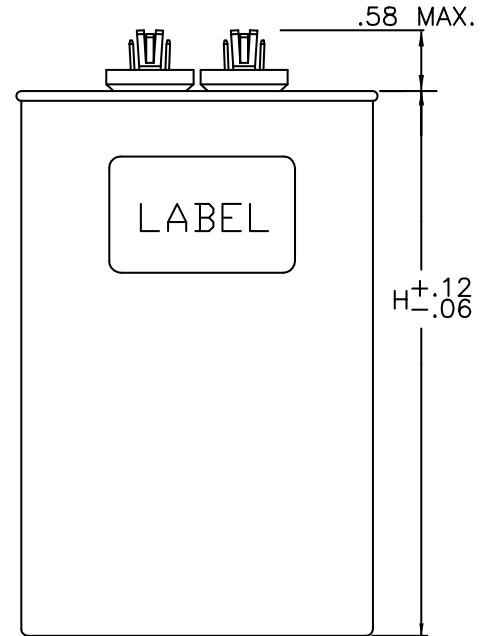
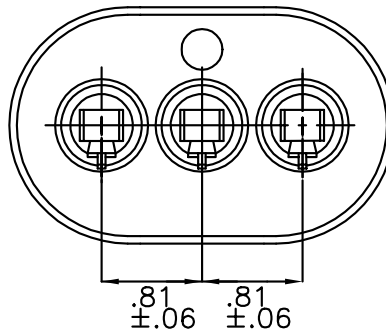
Oval Oil-Filled Case Sizes

| Base Size | Description | L Inches | W Inches |
|-----------|-------------|----------|----------|
| A | 1¼" Oval | 2.16 | 1.31 |
| B | 1½" Oval | 2.69 | 1.56 |
| C | 1¾" Oval | 2.91 | 1.91 |
| D | 2" Oval | 3.66 | 1.97 |

Oval Single Cover Configuration



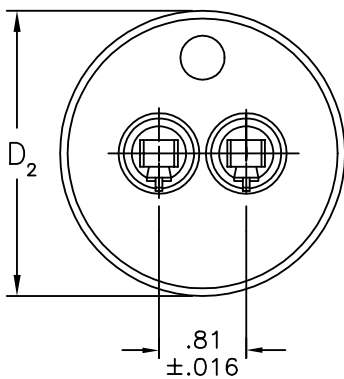
Oval Dual Cover Configuration



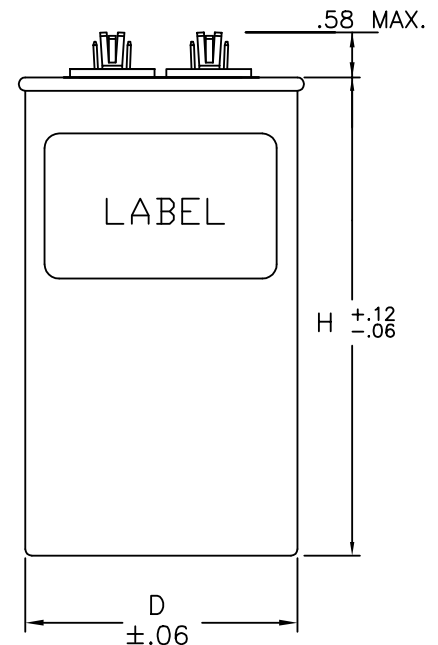
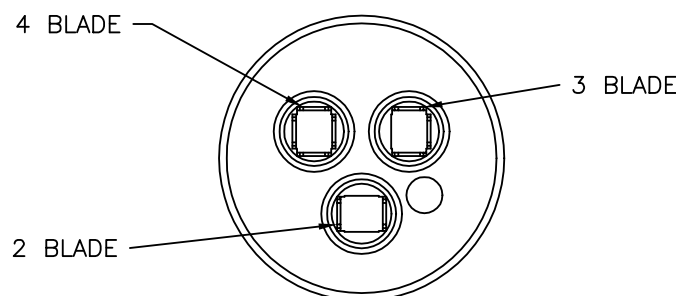
Round Oil-Filled Case Sizes

| Base Size | Description | D Inches | D ₂ Inches |
|-----------|-------------|----------|-----------------------|
| P | 1¾" Round | 1.75 | 1.87 |
| S | 2" Round | 2.00 | 2.12 |
| T | 2½" Round | 2.50 | 2.62 |

Round Single Cover Configuration



Round Dual Cover Configuration



Notice and Disclaimer: All product drawings, descriptions, specifications, statements, information and data (collectively, the "Information") in this datasheet or other publication are subject to change. The customer is responsible for checking, confirming and verifying the extent to which the Information contained in this datasheet or other publication is applicable to an order at the time the order is placed. All Information given herein is believed to be accurate and reliable, but it is presented without any guarantee, warranty, representation or responsibility of any kind, expressed or implied. Statements of suitability for certain applications are based on the knowledge that the Cornell Dubilier company providing such statements ("Cornell Dubilier") has of operating conditions that such Cornell Dubilier company regards as typical for such applications, but are not intended to constitute any guarantee, warranty or representation regarding any such matter – and Cornell Dubilier specifically and expressly disclaims any guarantee, warranty or representation concerning the suitability for a specific customer application, use, storage, transportation, or operating environment. The Information is intended for use only by customers who have the requisite experience and capability to determine the correct products for their application. Any technical advice inferred from this Information or otherwise provided by Cornell Dubilier with reference to the use of any Cornell Dubilier products is given gratis (unless otherwise specified by Cornell Dubilier), and Cornell Dubilier assumes no obligation or liability for the advice given or results obtained. Although Cornell Dubilier strives to apply the most stringent quality and safety standards regarding the design and manufacturing of its products, in light of the current state of the art, isolated component failures may still occur. Accordingly, customer applications which require a high degree of reliability or safety should employ suitable designs or other safeguards (such as installation of protective circuitry or redundancies or other appropriate protective measures) in order to ensure that the failure of an electrical component does not result in a risk of personal injury or property damage. Although all product-related warnings, cautions and notes must be observed, the customer should not assume that all safety measures are indicated in such warnings, cautions and notes, or that other safety measures may not be required.



Компания «ЭлектроПласт» предлагает заключение долгосрочных отношений при поставках импортных электронных компонентов на взаимовыгодных условиях!

Наши преимущества:

- Оперативные поставки широкого спектра электронных компонентов отечественного и импортного производства напрямую от производителей и с крупнейших мировых складов;
- Поставка более 17-ти миллионов наименований электронных компонентов;
- Поставка сложных, дефицитных, либо снятых с производства позиций;
- Оперативные сроки поставки под заказ (от 5 рабочих дней);
- Экспресс доставка в любую точку России;
- Техническая поддержка проекта, помощь в подборе аналогов, поставка прототипов;
- Система менеджмента качества сертифицирована по Международному стандарту ISO 9001;
- Лицензия ФСБ на осуществление работ с использованием сведений, составляющих государственную тайну;
- Поставка специализированных компонентов (Xilinx, Altera, Analog Devices, Intersil, Interpoint, Microsemi, Aeroflex, Peregrine, Syfer, Eurofarad, Texas Instrument, Miteq, Cobham, E2V, MA-COM, Hittite, Mini-Circuits, General Dynamics и др.);

Помимо этого, одним из направлений компании «ЭлектроПласт» является направление «Источники питания». Мы предлагаем Вам помощь Конструкторского отдела:

- Подбор оптимального решения, техническое обоснование при выборе компонента;
- Подбор аналогов;
- Консультации по применению компонента;
- Поставка образцов и прототипов;
- Техническая поддержка проекта;
- Защита от снятия компонента с производства.



Как с нами связаться

Телефон: 8 (812) 309 58 32 (многоканальный)

Факс: 8 (812) 320-02-42

Электронная почта: org@eplast1.ru

Адрес: 198099, г. Санкт-Петербург, ул. Калинина, дом 2, корпус 4, литера А.