

PLEASE CHECK WWW.MOLEX.COM FOR LATEST PART INFORMATION

Part Number: [0850132000](#)
Status: **Active**
Overview: [din_41612](#)
Description: 2.54mm (.100") Pitch DIN 41612 Header, Style R/2 Reverse, 32 Circuits

Documents:

[3D Model](#) [Product Specification PS-85013-0001 \(PDF\)](#)
[Drawing \(PDF\)](#) [RoHS Certificate of Compliance \(PDF\)](#)

Agency Certification

CSA LR19980
 UL E29179

General

Product Family Backplane Connectors
 Series [85013](#)
 Application Daughtercard
 Comments 4 Day Industrial Environment (S02)
 Component Type PCB Header
 Overview [din_41612](#)
 Product Name IEC 603-2/DIN 41612
 Style R/2

Physical

Circuits (Loaded) 32
 Circuits (maximum) 48
 Circuits Detail Rows A & C
 Durability (mating cycles max) 500
 Flammability 94V-0
 Guide to Mating Part No
 Keying to Mating Part Yes
 Number of Columns 16
 Number of Pairs Open Pin Field
 Number of Rows 3
 Orientation Vertical
 PC Tail Length (in) 0.114 In
 PC Tail Length (mm) 2.90 mm
 PCB Locator No
 PCB Retention Yes
 Packaging Type Bag
 Pitch - Mating Interface (in) 0.100 In
 Pitch - Mating Interface (mm) 2.54 mm
 Pitch - Term. Interface (in) 0.100 In
 Pitch - Term. Interface (mm) 2.54 mm
 Polarized to PCB No
 Stackable No
 Surface Mount Compatible (SMC) No
 Temperature Range - Operating -55°C to +125°C

Electrical

Current - Maximum per Contact 2.5A
 Data Rate 622.0 Mbps
 Real Signals (per 25mm) 30
 Shield Type N/A
 Shielded No
 Voltage - Maximum 1000V (RMS)

EU RoHS **China RoHS**

Compliance Status

Not Reviewed

REACH SVHC

Not Reviewed

Halogen-Free

Status

Not Reviewed

Need more information on product environmental compliance?

Email productcompliance@molex.com
 For a multiple part number RoHS Certificate of Compliance, [click here](#)

Please visit the [Contact Us](#) section for any non-product compliance questions.

Search Parts in this Series

[85013Series](#)

Mates With

[85042](#) , [85052](#) Backplane Header

Material Info

Reference - Drawing Numbers

Product Specification

Sales Drawing

PS-85013-0001

SD-85013-2000, SDA-85013-0002, SDA-85013-2000

This document was generated on 05/17/2010

PLEASE CHECK WWW.MOLEX.COM FOR LATEST PART INFORMATION

10 9 8 7 6 5 4 3 2 1

VIEW ON MATING SIDE

| | | | | | | | | | | | | | | | | |
|---|---|---|---|---|---|---|---|---|---|----|----|----|----|----|----|----|
| C | A | A | A | A | A | A | A | A | A | A | A | A | A | A | A | |
| D | | | | | | | | | | | | | | | | |
| C | A | A | A | A | A | A | A | A | A | A | A | A | A | A | A | |
| | - | 2 | 3 | 4 | 5 | 6 | 7 | 8 | 9 | 10 | 11 | 12 | 13 | 14 | 15 | 16 |

A = 32 STANDARD CONTACTS L = 2.9

| | |
|-------------------|---|
| MARKING | STANDARD |
| PERFORMANCE LEVEL | G2/0 = CONTACT AREA LEVEL 2 / TERMINATION TIN |
| FLUX PROOF | NO |
| FIXING CLIP | NO |
| DIMENSIONS | SD-85013-0002 SHT I |

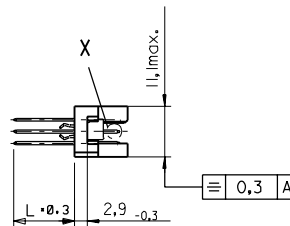
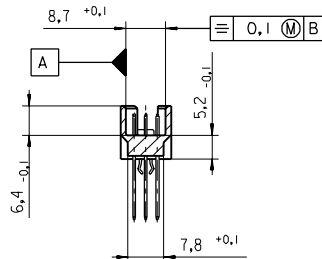
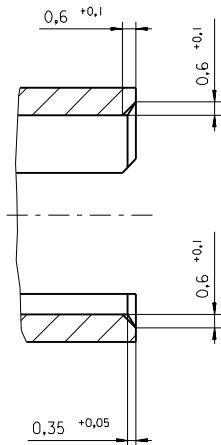
| | | |
|----------------|-------------------|-------------------------|
| CONTACT SYMBOL | PERFORMANCE LEVEL | CONTACT POSITION NUMBER |
| A | G2/0 | a1-a16, c1-c16 |

| | | | | | | | | | | |
|--|-------------------------------|---------------------------------------|-------------|----------------------------|---|---|------------------------|---|--|--|
| ENTER DESCRIPTION EC NO: I2006-0315 DRWN:SSUDHIR 2005/12/01 CHKD:KPRASAD 2005/12/02 APPR:KPRASAD 2005/12/02 | QUALITY SYMBOLS ▽=0 ◻=0 | GENERAL TOLERANCES (UNLESS SPECIFIED) | | DIMENSION STYLE MM ONLY | | SCALE --- | DESIGN UNITS METRIC | THIRD ANGLE PROJECTION | | |
| | | | | mm | INCH | DRAWN BY | DATE | TITLE 48 POS. MALE CONNECTOR ACC. DIN 41612 STYLE R/2 CONTACTS | | |
| | | 4 PLACES | ± --- | ± --- | NS | 2004/03/31 | | | | |
| | | 3 PLACES | ± --- | ± --- | CHECKED BY | DATE | MOLEX INCORPORATED | | | |
| 2 PLACES | ± --- | ± --- | GL | 2004/03/31 | | | | | | |
| 1 PLACE | ± --- | ± --- | APPROVED BY | DATE | MATERIAL NO. 85013-2000 DOCUMENT NO. SD-85013-2000 SHEET NO. 1 OF 1 | | | | | |
| ANGULAR | | ± ---° | GL | 2004/03/31 | | | | | | |
| DRAFT WHERE APPLICABLE MUST REMAIN WITHIN DIMENSIONS | | | | SIZE A3 | | THIS DRAWING CONTAINS INFORMATION THAT IS PROPRIETARY TO MOLEX INCORPORATED AND SHOULD NOT BE USED WITHOUT WRITTEN PERMISSION | | | | |

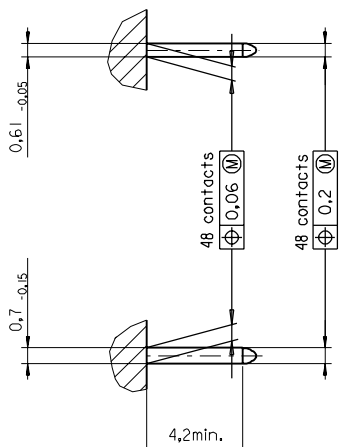
9 8 7 6 5 4 3 2 1

PART NO.
DWG. NO.

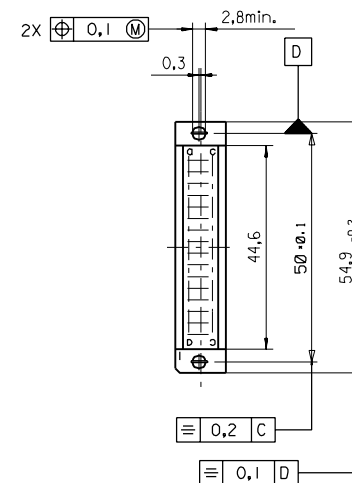
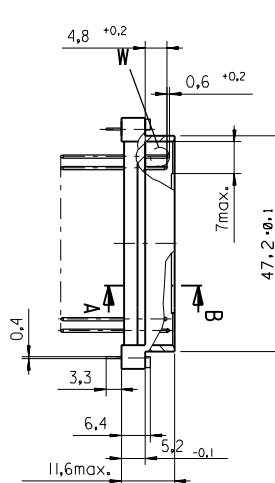
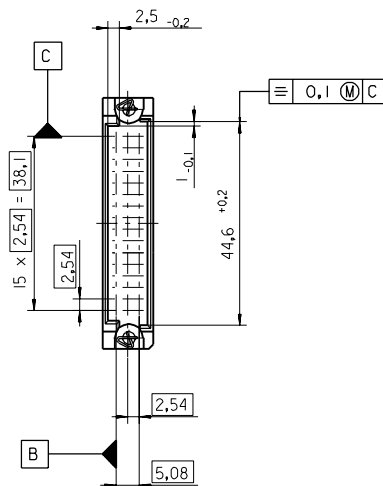
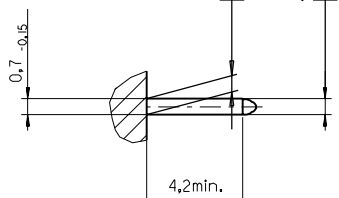
Section A - B
5:1



View X
5:1



View W
5:1



| | | | | | | | | | |
|----|-----|-----------------------------------|--|---|-----------------------|---------------------------|--|--|------|
| BI | LTR | first release see ECN No. 1887 | FIRST ANGLE PROJECTION | | | REVISE ONLY ON CAD SYSTEM | | SH. | REV. |
| | | | FOR PREVIOUS REVISIONS SEE MRI LIST | UNLESS OTHERWISE SPECIFIED TOLERANCES: ANGULAR ±2° | DRWG BY Ca | SIGN | CAD/CAM PROJECT NAME 85013000 821 | THIS DRAWING CONTAINS INFORMATION THAT IS PROPRIETARY TO MOLEX INC. & SHOULD NOT BE USED WITHOUT WRITTEN PERMISSION | |
| | | | 3 PLACE ± . ± | INCH | CHK'D BY KN | SIGN | TITLE 48 pos. Male connector acc. DIN 41612 style R/2 Dimensions | | |
| | | | 2 PLACE ± . ± | METRIC | APP'D BY | SIGN | SHEET NO. DATE 1 OF 95/06/08 | | |
| | | | 1 PLACE ± . ± | | SCALE | | MOLEX EUROPE | | |
| | | | DRAFT WHERE APPLICABLE MUST REMAIN WITHIN DIMENSIONS | | | | PART NO. DWG NO. SIZE | | |
| | | | DESIGN DIMENSION | <input checked="" type="checkbox"/> MM | | | SDA-85013-0002 B | | |
| | | | EQUIVALENT DIMENSION | <input type="checkbox"/> MM | | | | | |
| | | | IF TWO DIMENSIONS ARE SHOWN THE UPPER IS THE DESIGN DIMENSION, LOWER IS SECONDARY | | | | | | |

VIEW ON MATING SIDE

| | | | | | | | | | | | | | | | | | | | |
|---|---|---|---|---|---|---|---|---|---|---|---|---|---|---|---|---|---|---|---|
| ∩ | A | A | A | A | A | A | A | A | A | A | A | A | A | A | A | A | A | A | A |
| ∞ | | | | | | | | | | | | | | | | | | | |
| ◁ | A | A | A | A | A | A | A | A | A | A | A | A | A | A | A | A | A | A | A |

1 2 3 4 5 6 7 8 9 10 11 12 13 14 15 16 17 18 19 20 21 22 23 24 25 26 27 28 29 30 31 32

A = 32 STANDARD CONTACTS L-2,9

| | |
|-------------------|---|
| Marking | Standard |
| Performance level | G2/0 = Contact area perform. level2 / Termination tin |
| Flux proof | no |
| Fixing clip | no |
| Dimensions | SDA-85013-0002 sht.1 |
| Technical Data | PS-85013-0001 |

| | | | |
|----------------|----------------|-------------------------|-------|
| A | G2/0 | a1-16 | c1-16 |
| Contact symbol | Perform. level | Contact position number | |

| | | | | |
|--|-----------|---|-------------------------------------|--|
| first release see ECN No. 1868 | REVISIONS | | FOR PREVIOUS REVISIONS SEE MRI LIST | |
| | ∇ | LTR | | |
| UNLESS OTHERWISE SPECIFIED TOLERANCES: ANGULAR ± 2° | | DRWG BY | SIGN | |
| INCH | | Cc | | |
| METRIC | | CHK'D BY | SIGN | |
| 3 PLACE ± . | | KN | | |
| 2 PLACE ± . | | APP'D BY | SIGN | |
| 1 PLACE ± . | | | | |
| DRAFT WHERE APPLICABLE MUST REMAIN WITHIN DIMENSIONS | | SCALE | | |
| DESIGN DIMENSION <input type="checkbox"/> MM <input type="checkbox"/> IN. | | | | |
| EQUIVALENT DIMENSION <input type="checkbox"/> MM <input type="checkbox"/> IN. | | | | |
| IF TWO DIMENSIONS ARE SHOWN, THE UPPER IS THE DESIGN DIMENSION, LOWER IS SECONDARY | | | | |
| REVISE ONLY ON CAD SYSTEM | | SH. REV. | | |
| CAD/CAM PROJECT NAME | | THIS DRAWING CONTAINS INFORMATION THAT IS PROPRIETARY TO MOLEX INC. & SHOULD NOT BE USED WITHOUT WRITTEN PERMISSION | | |
| s8501320 | | s01 | | |
| TITLE | | SHEET NO. DATE | | |
| 48 pos. Male connector acc. DIN 41612 style R/2 contacts arrangement | | 1 OF 1 95/06/07 | | |
| MOLEX® | | MOLEX EUROPE | | |
| PART NO. | | DWG NO. | | |
| 85013-2000 | | SDA-85013-2000 | | |
| SIZE | | A | | |



Компания «ЭлектроПласт» предлагает заключение долгосрочных отношений при поставках импортных электронных компонентов на взаимовыгодных условиях!

Наши преимущества:

- Оперативные поставки широкого спектра электронных компонентов отечественного и импортного производства напрямую от производителей и с крупнейших мировых складов;
- Поставка более 17-ти миллионов наименований электронных компонентов;
- Поставка сложных, дефицитных, либо снятых с производства позиций;
- Оперативные сроки поставки под заказ (от 5 рабочих дней);
- Экспресс доставка в любую точку России;
- Техническая поддержка проекта, помощь в подборе аналогов, поставка прототипов;
- Система менеджмента качества сертифицирована по Международному стандарту ISO 9001;
- Лицензия ФСБ на осуществление работ с использованием сведений, составляющих государственную тайну;
- Поставка специализированных компонентов (Xilinx, Altera, Analog Devices, Intersil, Interpoint, Microsemi, Aeroflex, Peregrine, Syfer, Eurofarad, Texas Instrument, Miteq, Cobham, E2V, MA-COM, Hittite, Mini-Circuits, General Dynamics и др.);

Помимо этого, одним из направлений компании «ЭлектроПласт» является направление «Источники питания». Мы предлагаем Вам помощь Конструкторского отдела:

- Подбор оптимального решения, техническое обоснование при выборе компонента;
- Подбор аналогов;
- Консультации по применению компонента;
- Поставка образцов и прототипов;
- Техническая поддержка проекта;
- Защита от снятия компонента с производства.



Как с нами связаться

Телефон: 8 (812) 309 58 32 (многоканальный)

Факс: 8 (812) 320-02-42

Электронная почта: org@eplast1.ru

Адрес: 198099, г. Санкт-Петербург, ул. Калинина, дом 2, корпус 4, литера А.