

Double Layer Capacitors

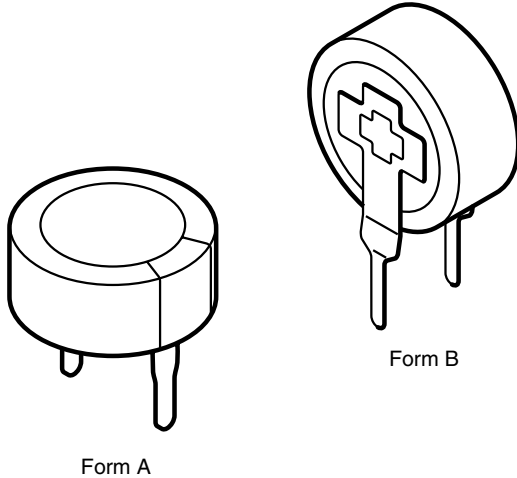


Fig.1 Component outline

FEATURES

- Polarized capacitor with high charge density, alternative product to rechargeable backup batteries
- Dielectric: electric double layer
- Radial leads, cylindrical case, insulated with a blue vinyl sleeve
- Available in both vertical and low-profile versions
- Unlimited charge and discharge cycle numbers
- No charge-discharge control circuitry and no series resistor necessary
- Maintenance-free, no periodic replacement or service necessary
- Ecologically beneficial (no Cd, no Li)
- Lead (Pb)-free versions are RoHS compliant



RoHS
COMPLIANT

APPLICATIONS

- Energy storage, for backup of semiconductor memories (CMOS) in all fields of electronics
- Telecommunication, audio-video, EDP
- General industrial, clock and timer systems

MARKING

The capacitors are marked with the following information:

- Rated capacitance (in F)
- Rated voltage (in V)
- Date code, in accordance with IEC 60062
- Name of manufacturer
- Negative terminal identification
- Upper category temperature (at 85 °C types only)

| QUICK REFERENCE DATA | | | | |
|---|--|---------------------|-------------------------|-------------------------------|
| DESCRIPTION | VALUE | | | |
| | STANDARD FORM A | HIGH VOLTAGE FORM A | HIGH TEMPERATURE FORM A | VERTICAL, MINIATURIZED FORM B |
| Nominal case sizes (Ø D x L in mm) | 13 x 7 and 21 x 7.5 | 13 x 9 and 21 x 9 | 13 x 9 and 21 x 9 | 11.5 x 13 (vertical) |
| Rated capacitance range, C _R | 0.047 to 1.0 F | 0.047 to 0.68 F | 0.047 to 0.68 F | 0.047 to 0.33 F |
| Tolerance on C _R at 20 °C | - 20 to + 80 % | | | |
| Rated voltage, U _R | 5.5 V | 6.3 V | 5.5 V | 5.5 V |
| Maximum surge voltage, U _S | 6.3 V | 7.0 V | 6.3 V | 6.3 V |
| Category temperature range | - 25 to + 70 °C | - 25 to + 70 °C | - 25 to + 85 °C | - 25 to + 70 °C |
| Useful life at U _R : | | | | |
| at 85 °C | - | - | 1000 hours | - |
| at 70 °C | 1000 hours | 1000 hours | 2800 hours | 1000 hours |
| at 40 °C | 8000 hours | 8000 hours | 23 000 hours | 8000 hours |
| at 25 °C | 23 000 hours | 23 000 hours | 64 000 hours | 23 000 hours |
| Shelf life at 0 V | 1000 hours at upper category temperature | | | |
| Climatic category IEC 60068 | 25/070/21 | 25/070/21 | 25/085/21 | 25/070/21 |

| SELECTION CHART FOR C_R, U_R AND FORM AT UPPER CATEGORY TEMPERATURE (UCT) | | | | |
|--|------|---------------|-------------|---------------|
| C_R (F) | FORM | $U_R = 5.5 V$ | | $U_R = 6.3 V$ |
| | | UCT = 85 °C | UCT = 70 °C | UCT = 70 °C |
| 0.047 | A | 13 x 9 | 13 x 7 | 13 x 9 |
| | B | - | 11.5 x 13 | - |
| 0.1 | A | 13 x 9 | 13 x 7 | 13 x 9 |
| | B | - | 11.5 x 13 | - |
| 0.22 | A | - | 13 x 7 | - |
| | B | - | 11.5 x 13 | - |
| 0.33 | A | - | 13 x 7 | - |
| | B | - | 11.5 x 13 | - |
| 0.47 | A | 21 x 9 | 21 x 7.5 | 21 x 9 |
| | B | - | - | - |
| 0.68 | A | 21 x 9 | - | 21 x 9 |
| | B | - | - | - |
| 1.0 | A | - | 21 x 7.5 | - |

DIMENSIONS in millimeters **AND AVAILABLE FORMS**


Fig.2 Form A: Low profile

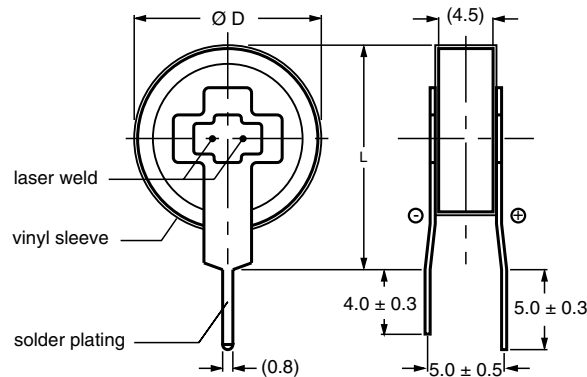


Fig.3 Form B: Vertical

| DIMENSIONS in millimeters, MASS AND PACKAGING QUANTITIES | | | | | | |
|--|-----------|------|------------------------|------------|----------|----------------------|
| NOMINAL CASE SIZE $\varnothing D \times L$ (mm) | CASE CODE | FORM | $\varnothing D_{max.}$ | $L_{max.}$ | MASS (g) | PACKAGING QUANTITIES |
| 11.5 x 13 | 1 | B | 11.8 | 13.5 | ≈ 1.5 | 2000 |
| 13 x 7 | 2 | A | 13.5 | 7.5 | ≈ 2.8 | 1000 |
| 13 x 9 | 3 | A | 13.5 | 9.5 | ≈ 3.4 | 1000 |
| 21 x 7.5 | 4 | A | 21.5 | 8.0 | ≈ 7.1 | 500 |
| 21 x 9 | 5 | A | 21.5 | 9.5 | ≈ 8.8 | 500 |

Note

Detailed tape dimensions see section 'PACKAGING'



| ELECTRICAL DATA | |
|-----------------|---|
| SYMBOL | DESCRIPTION |
| C_R | rated capacitance, tolerance - 20/+ 80 %, measured by constant current discharge method |
| UCT | upper category temperature |
| I_L | max. leakage current after 30 minutes at U_R |
| R_I | max. internal resistance at 1 kHz |

ORDERING EXAMPLE

Double layer capacitor 196 series

1.0 F/5.5 V

Nominal case size: \varnothing 21 x 7.5 mm; Form A

Ordering code: MAL219612105E3

Former 12 NC: 2222 196 12105

Note

Unless otherwise specified, all electrical values in Table 1 apply at $T_{amb} = 20\text{ }^\circ\text{C}$, $P = 86$ to 106 kPa and $RH = 45$ to 75% .

Table 1

| ELECTRICAL DATA AND ORDERING INFORMATION | | | | | | | | |
|--|--------------|---|--------------|------|-----------------------------|---------------------------------------|--------------------------------|----------------|
| U_R (V) | C_R (F) | NOMINAL CASE SIZE \varnothing D x L (mm) | CASE CODE | FORM | UCT ($^\circ\text{C}$) | I_L 30 min. (μA) | R_I 1 kHz (Ω) | ORDERING CODE |
| Standard series | | | | | | | | |
| 5.5 | 0.047 | 13 x 7 | 2 | A | 70 | 69 | 120 | MAL219612473E3 |
| | 0.1 | 13 x 7 | 2 | A | 70 | 100 | 75 | MAL219612104E3 |
| | 0.22 | 13 x 7 | 2 | A | 70 | 135 | 75 | MAL219612224E3 |
| | 0.33 | 13 x 7 | 2 | A | 70 | 182 | 75 | MAL219612334E3 |
| | 0.47 | 21 x 7.5 | 4 | A | 70 | 216 | 30 | MAL219612474E3 |
| | 1.0 | 21 x 7.5 | 4 | A | 70 | 315 | 30 | MAL219612105E3 |
| High temperature series | | | | | | | | |
| 5.5 | 0.047 | 13 x 9 | 3 | A | 85 | 69 | 300 | MAL219622473E3 |
| | 0.1 | 13 x 9 | 3 | A | 85 | 100 | 200 | MAL219622104E3 |
| | 0.47 | 21 x 9 | 5 | A | 85 | 216 | 50 | MAL219622474E3 |
| | 0.68 | 21 x 9 | 5 | A | 85 | 260 | 50 | MAL219622684E3 |
| Vertical, miniaturized series | | | | | | | | |
| 5.5 | 0.047 | 11.5 x 13 | 1 | B | 70 | 69 | 120 | MAL219632473E3 |
| | 0.1 | 11.5 x 13 | 1 | B | 70 | 100 | 75 | MAL219632104E3 |
| | 0.22 | 11.5 x 13 | 1 | B | 70 | 135 | 75 | MAL219632224E3 |
| | 0.33 | 11.5 x 13 | 1 | B | 70 | 182 | 75 | MAL219632334E3 |
| High voltage series | | | | | | | | |
| 6.3 | 0.047 | 13 x 9 | 3 | A | 70 | 69 | 300 | MAL219613473E3 |
| | 0.1 | 13 x 9 | 3 | A | 70 | 100 | 200 | MAL219613104E3 |
| | 0.47 | 21 x 9 | 5 | A | 70 | 216 | 50 | MAL219613474E3 |
| | 0.68 | 21 x 9 | 5 | A | 70 | 260 | 50 | MAL219613684E3 |

MEASURING OF CHARACTERISTICS

CAPACITANCE (C)

Capacitance shall be measured by constant current discharge method.

| DISCHARGE CURRENT AS A FUNCTION OF RATED CAPACITANCE | | | | | | | | |
|--|-------|-----|------|------|------|------|-----|------|
| PARAMETER | VALUE | | | | | | | UNIT |
| Rated capacitance, C _R | 0.047 | 0.1 | 0.22 | 0.33 | 0.47 | 0.68 | 1.0 | F |
| Discharge current, I _D | 0.1 | | | 1.0 | | | | mA |



Fig.4 Voltage diagram for capacitance measurement

Capacitance value C_R is given by discharge current I_D, time T and rated voltage U_R, according to the following equation:

$$C(F) = \frac{I_D(mA) \times 10^{-3} \times T(s)}{U_R(V) - 2}$$



Fig.5 Test circuit for capacitance measurement

INTERNAL RESISTANCE (R_I) AT 1 kHz

$$R_I(\Omega) = \frac{V_C(V)}{10^{-3}}$$



Fig.6 Test circuit for R_I measurement

LEAKAGE CURRENT (I_L)

Leakage current shall be measured after 30 minutes application of rated voltage U_R:

$$I_L(\mu A) = \frac{V(V)}{10^{-4}}$$



Fig.7 Test circuit for leakage current



Fig.8 Typical leakage current as a function of time



DISCHARGE CHARACTERISTICS

Backup time of 196 DLC series capacitors depends on minimum memory holding voltage and discharge current (corresponding with the current consumption of the load). For minimum backup times of standard and vertical miniaturized series see Figs 9 and 10 (charging time ≥ 24 hours).

Figure 11 shows the backup time when a 196 DLC capacitor is discharged by a constant resistance (charging time ≥ 24 hours).

The horizontal axis shows the initial value of discharge current if 5 V is connected to the capacitor via a fixed series resistor.

EXAMPLE: 1 μ A CORRESPONDS TO 5 M Ω AND 0.1 μ A CORRESPONDS TO 50 M Ω

The vertical axis shows that period of time during which the voltage drops from 5 to 2 V.



Fig.9 Typical backup time as a function of discharge current

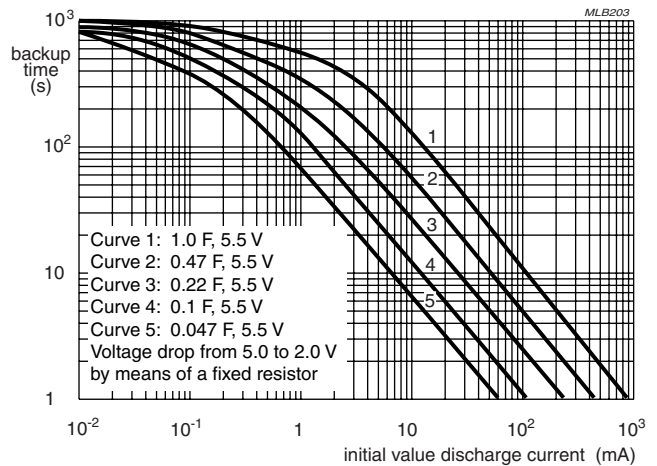


Fig.11 Typical backup time as a function of initial discharge current



Fig.10 Typical backup time as a function of discharge current

Table 2

| TEST PROCEDURES AND REQUIREMENTS for standard and vertical miniaturized series (5.5 V; 70 °C) | | | |
|--|--|--|--|
| NAME OF TEST | IEC 60384-4/ EN130300 subclause | PROCEDURE (quick reference) | REQUIREMENTS |
| Robustness of terminations | 4.4 | tensile strength; application of loading force for 10 seconds: 20 N (standard series) 5 N (vertical miniaturized series) | no breaks |
| Resistance to soldering heat | 4.5 | solder bath; 260 °C; 5 seconds | $\Delta C/C: \pm 10 \%$ R_1 and $I_L \leq$ spec. limit |
| Solderability | 4.6 | solder bath; 235 °C; 2 seconds | $\geq 75 \%$ tinning |
| Vibration | 4.8 | 10 to 55 Hz; 1.5 mm; 3 directions; 2 hours per direction | $\Delta C/C: \pm 10 \%$ R_1 and $I_L \leq$ spec. limit |
| Damp heat, steady state | 4.12 | 500 hours at 55 °C; RH 90 to 95 %; no voltage applied | $\Delta C/C: \pm 30 \%$ $R_1 \leq 4 \times$ spec. limit $I_L \leq 2 \times$ spec. limit |
| Endurance | 4.13 | $T_{amb} = 70 \text{ °C}$; 5.5 V applied; 1000 hours | $\Delta C/C: \pm 30 \%$ $R_1 \leq 4 \times$ spec. limit $I_L \leq 2 \times$ spec. limit |
| Storage at upper category temperature | 4.17 | $T_{amb} = 70 \text{ °C}$; no voltage applied; 1000 hours | $\Delta C/C: \pm 30 \%$ $R_1 \leq 4 \times$ spec. limit $I_L \leq 2 \times$ spec. limit |
| Self discharge | - | 24 hours storage at room temperature after application of 5 V for 1 hour | remaining voltage: $\geq 4 \text{ V}$ |
| Characteristics at high and low temperature | 4.19 | step 1: reference measurement at + 20 °C of C, R_1 and I_L step 2: measurement at - 25 °C step 3: measurement at + 20 °C step 4: measurement at + 70 °C step 5: measurement at + 20 °C | $\Delta C/C: \pm 30 \%$ of + 20 °C value $R_1 \leq 5 \times$ the + 20 °C value $I_L \leq 4 \times$ the + 20 °C value |



Disclaimer

All product specifications and data are subject to change without notice.

Vishay Intertechnology, Inc., its affiliates, agents, and employees, and all persons acting on its or their behalf (collectively, "Vishay"), disclaim any and all liability for any errors, inaccuracies or incompleteness contained herein or in any other disclosure relating to any product.

Vishay disclaims any and all liability arising out of the use or application of any product described herein or of any information provided herein to the maximum extent permitted by law. The product specifications do not expand or otherwise modify Vishay's terms and conditions of purchase, including but not limited to the warranty expressed therein, which apply to these products.

No license, express or implied, by estoppel or otherwise, to any intellectual property rights is granted by this document or by any conduct of Vishay.

The products shown herein are not designed for use in medical, life-saving, or life-sustaining applications unless otherwise expressly indicated. Customers using or selling Vishay products not expressly indicated for use in such applications do so entirely at their own risk and agree to fully indemnify Vishay for any damages arising or resulting from such use or sale. Please contact authorized Vishay personnel to obtain written terms and conditions regarding products designed for such applications.

Product names and markings noted herein may be trademarks of their respective owners.



Компания «ЭлектроПласт» предлагает заключение долгосрочных отношений при поставках импортных электронных компонентов на взаимовыгодных условиях!

Наши преимущества:

- Оперативные поставки широкого спектра электронных компонентов отечественного и импортного производства напрямую от производителей и с крупнейших мировых складов;
- Поставка более 17-ти миллионов наименований электронных компонентов;
- Поставка сложных, дефицитных, либо снятых с производства позиций;
- Оперативные сроки поставки под заказ (от 5 рабочих дней);
- Экспресс доставка в любую точку России;
- Техническая поддержка проекта, помощь в подборе аналогов, поставка прототипов;
- Система менеджмента качества сертифицирована по Международному стандарту ISO 9001;
- Лицензия ФСБ на осуществление работ с использованием сведений, составляющих государственную тайну;
- Поставка специализированных компонентов (Xilinx, Altera, Analog Devices, Intersil, Interpoint, Microsemi, Aeroflex, Peregrine, Syfer, Eurofarad, Texas Instrument, Miteq, Cobham, E2V, MA-COM, Hittite, Mini-Circuits, General Dynamics и др.);

Помимо этого, одним из направлений компании «ЭлектроПласт» является направление «Источники питания». Мы предлагаем Вам помощь Конструкторского отдела:

- Подбор оптимального решения, техническое обоснование при выборе компонента;
- Подбор аналогов;
- Консультации по применению компонента;
- Поставка образцов и прототипов;
- Техническая поддержка проекта;
- Защита от снятия компонента с производства.



Как с нами связаться

Телефон: 8 (812) 309 58 32 (многоканальный)

Факс: 8 (812) 320-02-42

Электронная почта: org@eplast1.ru

Адрес: 198099, г. Санкт-Петербург, ул. Калинина, дом 2, корпус 4, литера А.