



### FEATURES

- Plugs directly into USA-style wall outlets
- Screw terminals for panel mounting
- Small 1.38" x 0.88" x 1.0" packages
- Large, easy-to-read, red, blue or green LED displays
- Fully encapsulated for harsh environments
- Half-wave averaging, rms calibrated
- UL, CSA and IEC1010-1 certified
- Very low cost!

### Functional Specifications

<b>Input</b>	
Voltage Range ①	85-264Vrms
Overvoltage Protection	300Vrms (Overvoltage category II)
Frequency Range ①	47-63Hz
Current Consumption	50mArms (max.)
<b>Performance</b>	
Sampling Rate	2.5 readings/second
Measurement Type	Half-wave average, rms calibrated for sinusoidal input
Accuracy @ +25°C	±1V (typ.), ±2V (max.)
Temperature Drift (-25 to +60°C)	±0.15 Volts/°C (max.)
<b>Mechanical</b>	
Dimensions	1.38" x 0.88" x 1.00"
Display Type	3 digit, red LED, 0.37"/9.4mm
Weight	1 ounce (28 grams)
Case Material	Polycarbonate
6-32 screw torque	6-8 in-lb (0.7 – 0.9N-m)
<b>Environmental</b>	
Operating Temperature	-25 to +60°C
Storage Temperature	-40 to +75°C
Humidity (Non-condensing)	0 to 95%

① Operation and accuracy at inputs above or below these ranges are not specified.



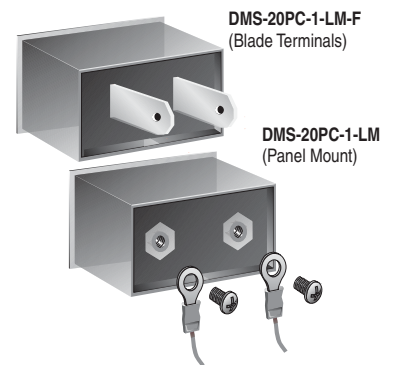
For full details go to  
[www.murata-ps.com/rohs](http://www.murata-ps.com/rohs)



Murata Power Solution's DMS-20PC-1-LM is a component-size, self-contained, low-cost ac voltmeter for true line measurements. It requires no additional components or auxiliary power. Simply plug it into any wall outlet and instantly read voltages from 85 to 264Vac (47-63Hz). The large (0.37"/9.4mm), bright red, blue or green LED display makes the DMS-20PC-1-LM easily readable under any lighting conditions.

DMS-20PC-1-LM employs half-wave sinusoidal averaging (rms calibrated) and has a display resolution of 1Vac over its full input range. Packaged in a red-filter case with built-in bezel, the meter is fully encapsulated for ruggedness. All units are overvoltage protected to 300Vac.

This low-cost meter is ideal for industrial, laboratory, office and field-service applications. Its miniature size is perfect for design into high-end consumer electronics, laboratory instrumentation and other products requiring accurate ac line monitoring.

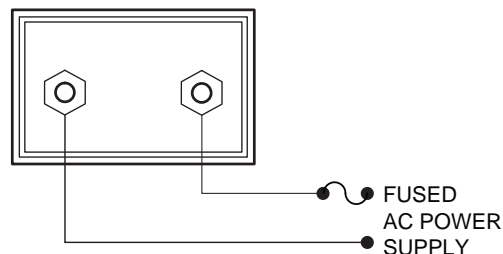


Suggested wiring (user supplied)

### Ordering Information

<b>DMS-20PC-1-LM-C</b>	<b>Red LED with threaded standoffs ②</b>
<b>DMS-20PC-1-LM-B-C</b>	<b>Blue LED with threaded standoffs ②</b>
<b>DMS-20PC-1-LM-G-C</b>	<b>Green LED with threaded standoffs ②</b>
<b>DMS-20PC-1-LM-F-C</b>	<b>Red LED with blade terminals</b>
<b>DMS-20PC-1-LM-BF-C</b>	<b>Blue LED with blade terminals</b>
<b>DMS-20PC-1-LM-GF-C</b>	<b>Green LED with blade terminals</b>
<b>DMS-20-CP</b>	<b>Optional panel cutout punch</b>
<b>DMS-BZL3-C</b>	<b>Optional panel mount bezel</b>
<b>DMS-BZL4-C</b>	<b>Optional panel mount bezel with sealing gasket</b>

② Brass screws (6-32 thread) and a panel-mount retaining clip are supplied with meter.



Typical Connection Diagram

## Self-Powered 3 Digit, LED Display AC Line Voltage Monitors

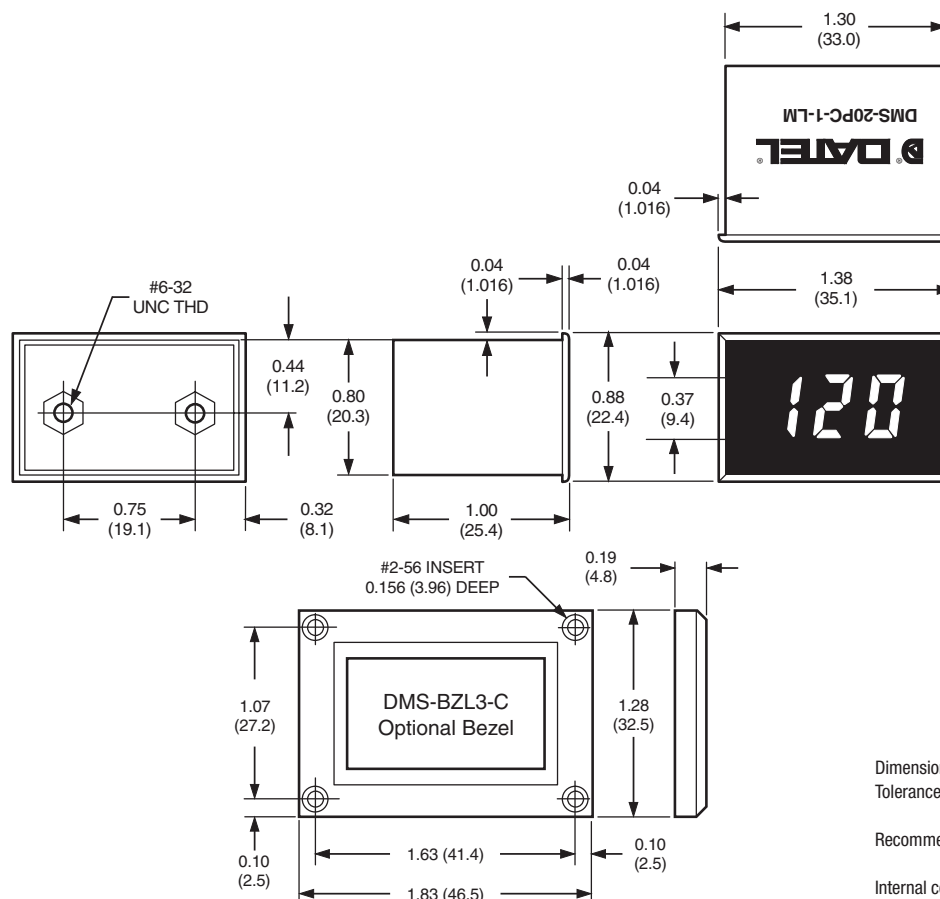
**Power Supply Polarity, Fusing, Wiring, and Grounding:** DMS-20PC-1-LM's two ac-supply terminals are not polarity sensitive, that is, they have no "AC LO" or "AC HI" designations. These units do not include nor require a connection to earth/chassis ground.

All ac-supply wiring must be rated for the voltages and currents they will conduct and comply with any code or application-mandated requirements pertaining to the user's specific installation. 300V UL rated wire suitable for the intended application is required.

DMS-20PC-1-LM ac voltmeters are not internally fused. The rear threaded standoff input-terminals are to be used only for powering the voltmeter's

internal circuitry; they must not be used to supply power to external loads. Except for plug-in models with blade terminals, which must be protected by an external system circuit breaker or fuse, the supply wires feeding these voltmeters must be fused with a 0.25A/250V time delay/time lag fuse, in accordance with applicable regulatory codes.

The recommended wire size is 16AWG to 20AWG (1.31mm<sup>2</sup> to 0.52mm<sup>2</sup>) stranded copper wire. Wires must be properly stripped and attached to the threaded standoffs such that their insulation is not pinched by the supplied 6-32 screws. Rated tightening torque for the 6-32 screws is 7 to 8 pound-inches (0.8 to 0.9N-m).



Dimensions in inches (millimeters)  
Tolerances: 2 PL Dec  $\pm 0.02$  ( $\pm 0.51$ )  
3 PL Dec  $\pm 0.010$  ( $\pm 0.254$ )  
Recommended panel cutout dimensions:  
1.336 (33.93)W  $\times$  0.838 (21.29)H  
Internal corner radii 0.032 (0.81) Max.



Murata Power Solutions, Inc.  
11 Cabot Boulevard, Mansfield, MA 02048-1151 U.S.A.  
ISO 9001 and 14001 REGISTERED

Murata Power Solutions, Inc. makes no representation that the use of its products in the circuits described herein, or the use of other technical information contained herein, will not infringe upon existing or future patent rights. The descriptions contained herein do not imply the granting of licenses to make, use, or sell equipment constructed in accordance therewith. Specifications are subject to change without notice. © 2012 Murata Power Solutions, Inc.





Компания «ЭлектроПласт» предлагает заключение долгосрочных отношений при поставках импортных электронных компонентов на взаимовыгодных условиях!

Наши преимущества:

- Оперативные поставки широкого спектра электронных компонентов отечественного и импортного производства напрямую от производителей и с крупнейших мировых складов;
- Поставка более 17-ти миллионов наименований электронных компонентов;
- Поставка сложных, дефицитных, либо снятых с производства позиций;
- Оперативные сроки поставки под заказ (от 5 рабочих дней);
- Экспресс доставка в любую точку России;
- Техническая поддержка проекта, помощь в подборе аналогов, поставка прототипов;
- Система менеджмента качества сертифицирована по Международному стандарту ISO 9001;
- Лицензия ФСБ на осуществление работ с использованием сведений, составляющих государственную тайну;
- Поставка специализированных компонентов (Xilinx, Altera, Analog Devices, Intersil, Interpoint, Microsemi, Aeroflex, Peregrine, Syfer, Eurofarad, Texas Instrument, Miteq, Cobham, E2V, MA-COM, Hittite, Mini-Circuits, General Dynamics и др.);

Помимо этого, одним из направлений компании «ЭлектроПласт» является направление «Источники питания». Мы предлагаем Вам помощь Конструкторского отдела:

- Подбор оптимального решения, техническое обоснование при выборе компонента;
- Подбор аналогов;
- Консультации по применению компонента;
- Поставка образцов и прототипов;
- Техническая поддержка проекта;
- Защита от снятия компонента с производства.



#### Как с нами связаться

**Телефон:** 8 (812) 309 58 32 (многоканальный)

**Факс:** 8 (812) 320-02-42

**Электронная почта:** [org@eplast1.ru](mailto:org@eplast1.ru)

**Адрес:** 198099, г. Санкт-Петербург, ул. Калинина, дом 2, корпус 4, литера А.