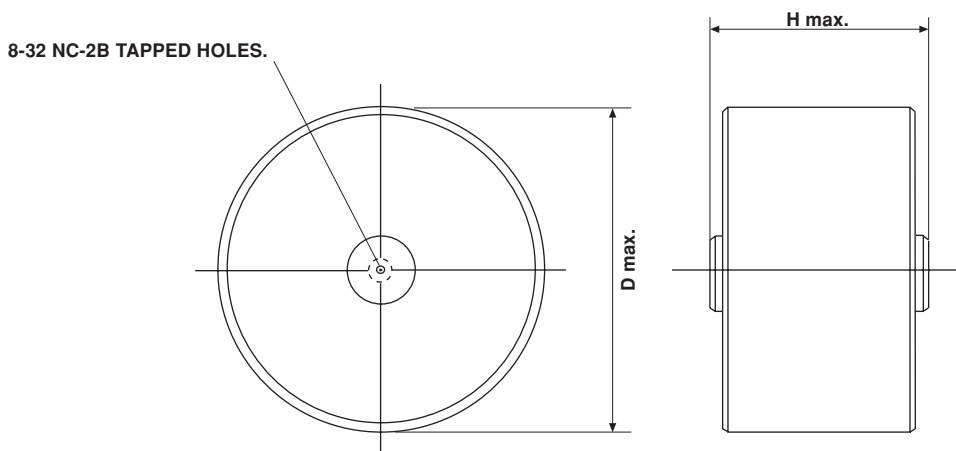


High Voltage Disc Capacitors, Screw mounting

10KT... 10KV_{DC}
 15KT... 15KV_{DC}
 20KT... 20KV_{DC}
 30KT... 30KV_{DC}
 40KT... 40KV_{DC}

15DK... 15KV_{DC}
 20DK... 20KV_{DC}
 30DK... 30KV_{DC}
 40DK... 40KV_{DC}



NOTE: Screw torque limit must be 12 inch pounds. Use #8-32, 3/16" long screw to prevent bottoming

• Dimensions in millimeters (inches)

DIELECTRIC STRENGTH

150% of rated voltage, charging current limited to 50mA

DISSIPATION FACTOR tanδ

N4700: ≤ 2 • 10⁻³ (1kHz)
 Y5U: ≤ 20 • 10⁻³ (1kHz)

INSULATION RESISTANCE

MIN. 200,000 megohms or 1000 ΩF, min. @ 25°C

CORONA LIMIT

Ranges from 50MHz for small diameters to 10 MHz for large diameters

OPERATING TEMPERATURE RANGE

- 30°C to + 85°C

MATERIAL

Capacitor elements made from Class 1 or Class 3 ceramic in a molded epoxy case. Screw terminals: brass, silver plated

MARKING

Type designator, Capacitance value, Rated DC voltage, Ceramic material code, Production date code, CERAMITE Logo

POWER DISSIPATION

Limit to 25°C rise above ambient, measured on case.

ORDERING INFORMATION

| | | | | |
|---------|--------------------|-------------------|-----------|---------|
| 15DKD20 | 15KV _{DC} | 2000pF | - 20+ 80% | Y5U |
| MODEL | RATED VOLTAGE | CAPACITANCE VALUE | TOLERANCE | CERAMIC |



| MODEL | CERAMIC | CAPACITANCE VALUES [pF] | RATED VOLTAGE [KV _{DC}] | RATED VOLTAGE [KV _{RMS}] | D _{max.} | H _{max.} |
|----------------|---------|----------------------------|--------------------------------------|---------------------------------------|-------------------|-------------------|
| 10KT... | | | | | | |
| 10KTD10 | N4700 | 1000 | 10 | 4 | 33.0 (1.30) | 19.8 (0.78) |
| 10KTD22 | | 2200 | | | 39.4 (1.55) | 19.8 (0.78) |
| 10KTD39 | | 3900 | | | 54.1 (2.13) | 19.8 (0.78) |
| 10KTD47 | | 4700 | | | 58.4 (2.30) | 19.8 (0.78) |
| 15KT... | | | | | | |
| 15KTT82 | N4700 | 820 | 15 | 6 | 33.0 (1.30) | 22.9 (0.90) |
| 15KTD19 | | 1900 | | | 54.1 (2.13) | 22.9 (0.90) |
| 15KTD33 | | 3300 | | | 58.4 (2.30) | 22.9 (0.90) |
| 20KT... | | | | | | |
| 20KTT56 | N4700 | 560 | 20 | 8 | 33.0 (1.30) | 25.4 (1.00) |
| 20KTD10 | | 1000 | | | 39.4 (1.55) | 25.4 (1.00) |
| 20KTD19 | | 1900 | | | 54.1 (2.13) | 25.4 (1.00) |
| 20KTD27 | | 2700 | | | 61.5 (2.42) | 25.4 (1.00) |
| 30KT... | | | | | | |
| 30KTT40 | N4700 | 400 | 30 | 10 | 33.0 (1.30) | 30.0 (1.18) |
| 30KTT66 | | 660 | | | 39.4 (1.55) | 30.0 (1.18) |
| 30KTD12 | | 1200 | | | 54.1 (2.13) | 30.0 (1.18) |
| 30KTD18 | | 1800 | | | 61.5 (2.42) | 30.0 (1.18) |
| 40KT... | | | | | | |
| 40KTT30 | N4700 | 300 | 40 | 13 | 33.0 (1.30) | 34.5 (1.36) |
| 40KTT64 | | 640 | | | 45.7 (1.80) | 34.5 (1.36) |
| 40KTD10 | | 1000 | | | 54.1 (2.13) | 34.5 (1.36) |
| 40KTD13 | | 1300 | | | 61.5 (2.42) | 34.5 (1.36) |
| 15DK... | | | | | | |
| 15DKD15 | Y5U | 1500 | 15 | 4 | 26.7 (1.05) | 22.9 (0.90) |
| 15DKD20 | | 2000 | | | 33.0 (1.30) | 22.9 (0.90) |
| 15DKD33 | | 3300 | | | 39.4 (1.55) | 22.9 (0.90) |
| 15DKD47 | | 4700 | | | 39.4 (1.55) | 22.9 (0.90) |
| 15DKS10 | | 10000 | | | 58.4 (2.30) | 22.9 (0.90) |
| 20DK... | | | | | | |
| 20DKT50 | Y5U | 500 | 20 | 5 | 22.4 (0.88) | 25.4 (1.00) |
| 20DKD10 | | 1000 | | | 33.0 (1.30) | 25.4 (1.00) |
| 20DKD13 | | 1300 | | | 33.0 (1.30) | 25.4 (1.00) |
| 20DKD25 | | 2500 | | | 39.4 (1.55) | 25.4 (1.00) |
| 20DKD33 | | 3300 | | | 45.7 (1.80) | 25.4 (1.00) |
| 20DKD47 | | 4700 | | | 54.1 (2.13) | 25.4 (1.00) |
| 20DKD68 | | 6800 | | | 61.5 (2.42) | 25.4 (1.00) |
| 30DK... | | | | | | |
| 30DKT50 | Y5U | 500 | 30 | 7 | 26.7(1.05) | 34.5 (1.36) |
| 30DKD10 | | 1000 | | | 33.0 (1.30) | 30.0 (1.18) |
| 30DKD25 | | 2500 | | | 39.4 (1.55) | 30.0 (1.18) |
| 30DKD33 | | 3300 | | | 54.1 (2.13) | 30.0 (1.18) |
| 30DKD47 | | 4700 | | | 58.4 (2.30) | 30.0 (1.18) |
| 40DK... | | | | | | |
| 40DKT30 | Y5U | 300 | 40 | 9 | 22.4 (0.88) | 34.5 (1.36) |
| 40DKT50 | | 500 | | | 26.7 (1.05) | 34.5 (1.36) |
| 40DKT78 | | 780 | | | 33.0 (1.30) | 34.5 (1.36) |
| 40DKD10 | | 1000 | | | 39.4 (1.55) | 34.5 (1.36) |
| 40DKD16 | | 1600 | | | 45.7 (1.80) | 34.5 (1.36) |
| 40DKD25 | | 2500 | | | 54.1 (2.13) | 34.5 (1.36) |
| 40DKD33 | | 3300 | | | 58.4 (2.30) | 34.5 (1.36) |

CAPACITANCE TOLERANCES: KT... Series ± 20%
DK... Series: - 20 + 80%



Disclaimer

All product specifications and data are subject to change without notice.

Vishay Intertechnology, Inc., its affiliates, agents, and employees, and all persons acting on its or their behalf (collectively, "Vishay"), disclaim any and all liability for any errors, inaccuracies or incompleteness contained herein or in any other disclosure relating to any product.

Vishay disclaims any and all liability arising out of the use or application of any product described herein or of any information provided herein to the maximum extent permitted by law. The product specifications do not expand or otherwise modify Vishay's terms and conditions of purchase, including but not limited to the warranty expressed therein, which apply to these products.

No license, express or implied, by estoppel or otherwise, to any intellectual property rights is granted by this document or by any conduct of Vishay.

The products shown herein are not designed for use in medical, life-saving, or life-sustaining applications unless otherwise expressly indicated. Customers using or selling Vishay products not expressly indicated for use in such applications do so entirely at their own risk and agree to fully indemnify Vishay for any damages arising or resulting from such use or sale. Please contact authorized Vishay personnel to obtain written terms and conditions regarding products designed for such applications.

Product names and markings noted herein may be trademarks of their respective owners.



Компания «ЭлектроПласт» предлагает заключение долгосрочных отношений при поставках импортных электронных компонентов на взаимовыгодных условиях!

Наши преимущества:

- Оперативные поставки широкого спектра электронных компонентов отечественного и импортного производства напрямую от производителей и с крупнейших мировых складов;
- Поставка более 17-ти миллионов наименований электронных компонентов;
- Поставка сложных, дефицитных, либо снятых с производства позиций;
- Оперативные сроки поставки под заказ (от 5 рабочих дней);
- Экспресс доставка в любую точку России;
- Техническая поддержка проекта, помощь в подборе аналогов, поставка прототипов;
- Система менеджмента качества сертифицирована по Международному стандарту ISO 9001;
- Лицензия ФСБ на осуществление работ с использованием сведений, составляющих государственную тайну;
- Поставка специализированных компонентов (Xilinx, Altera, Analog Devices, Intersil, Interpoint, Microsemi, Aeroflex, Peregrine, Syfer, Eurofarad, Texas Instrument, Miteq, Cobham, E2V, MA-COM, Hittite, Mini-Circuits, General Dynamics и др.);

Помимо этого, одним из направлений компании «ЭлектроПласт» является направление «Источники питания». Мы предлагаем Вам помощь Конструкторского отдела:

- Подбор оптимального решения, техническое обоснование при выборе компонента;
- Подбор аналогов;
- Консультации по применению компонента;
- Поставка образцов и прототипов;
- Техническая поддержка проекта;
- Защита от снятия компонента с производства.



Как с нами связаться

Телефон: 8 (812) 309 58 32 (многоканальный)

Факс: 8 (812) 320-02-42

Электронная почта: org@eplast1.ru

Адрес: 198099, г. Санкт-Петербург, ул. Калинина, дом 2, корпус 4, литера А.