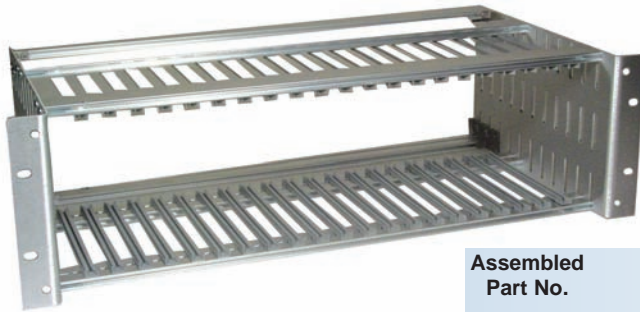
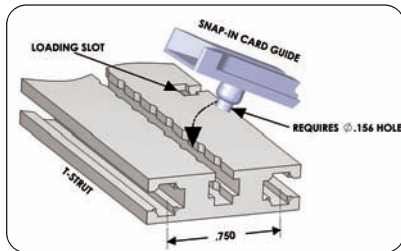


# EIA -Based VectorPak™ Subrack Systems



CCA13S/90 - Assembled Subrack with 21 pairs on Snap-in Guides



Snap-in Guide and TS169-6/90 Strut

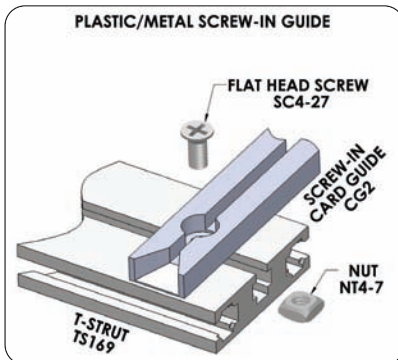
## VectorPak™ Card Rack Systems

Card Racks with Snap-In Guides for 0.062" thick PCBs. Guides positions can be adjusted in 0.250" horizontal increments. 0.80" thick brushed aluminum side plates with clear irridite finish. Rear "T"-Struts included for mounting of connectors (Vector P/N HD34).

Assembled Part No.	Rack Outer Dimensions (H x W x D)	Description	Kit
<b>2U Rack</b> CCA10S/90	Card height min. 0.75" to 2.75" max. X 6.5" L 2U (3.50") X 19.0" X 12.0"	21 pair snap-in guides installed	CCK10S/90
<b>3U Rack</b> CCA12S/90	Card height min. 2.50" to 4.50" max. X 4.5" L 3U (5.25") X 19.0" X 9.0"	21 pair snap-in guides installed	CCK12S/90
<b>3U Rack</b> CCA13S/90	Card height min. 2.50" to 4.50" max. X 6.5" L 3U (5.25") X 19.0" X 9.0"	21 pair snap-in guides installed	CCK13S/90
<b>3U Rack</b> CCA13S-H/90	3U (5.25") X 10.25" W X 9.0"	11 pair snap-in guides w/ rack ears	CCK13S-H/90
<b>3U Rack</b> CCA13S-HT/90	3U (5.25") X 10.25" W X 9.0"	11 pair snap-in guides, no rack ears	CCK13S-HT/90
<b>3U Rack</b> CCA14S/90	Card height min 2.50" to 4.50" max. X 9.6" L 3U (5.25") X 19.0" X 12.0"	21 pair snap-in guides installed	CCK14S/90
<b>3U Rack</b> CCA14S-H/90	3U (5.25") X 10.25" W X 12.0"	11 pair snap-in guides w/ rack ears	CCK14S-H/90
<b>4U Rack</b> CCA15S/90	Card height 4.25" min. to 6.25" max. X 9.6" L 4U (7.00") X 19.0" X 12.0"	21 pair snap-in guides installed	CCK15S/90
<b>5U Rack</b> CCA17S/90	Card height min. 6.00" to 8.00" max. X 9.6" L 5U (8.75") X 19.0" X 12.0"	21 pair snap-in guides installed	CCK17S/90
<b>7U Rack</b> CCA100S/90	Card height min. 9.50" to 11.50" max. X 6.5" L 7U (12.25") X 19.0" X 9.0"	21 pair snap-in guides installed	CCK100S/90



CCA13M/90 with Screw-in guides



## VectorPak™ Card Rack Systems

Card Racks with Screw-in Guides for 0.062" thick PCBs. Guides positions can be adjusted horizontally with NO RESTRICTIONS. "P" version is plastic guides; "M" version is metal (Die-cast Zinc or Aluminum). 0.80" thick brushed aluminum side plates with clear irridite finish. Rear "T"-Struts included for mounting of connectors (Vector P/N HD34).

Assembled Part No.	Rack Outer Dimensions (H x W x D)	Description	Kit
<b>2U Rack</b> CCA10P/90	Card height min. 0.75" to 2.75" max. X 6.5" L 2U (3.50") X 19.0" X 12.0"	21 pair screw-in Plastic guides installed	CCK10P/90
<b>2U Rack</b> CCA10M/90	Same	21 pair screw-in Die-Cast Zinc guides	CCK10M/90
<b>3U Rack</b> CCA12P/90	Card height min. 2.50" to 4.50" max. X 4.5" L 3U (5.25") X 19.0" X 9.0"	21 pair screw-in Plastic guides installed	CCK12P/90
<b>3U Rack</b> CCA12M/90	Same	21 pair screw-in Die-Cast Zinc guides	CCK12M/90
<b>3U Rack</b> CCA13P/90	Card height min. 2.50" to 4.50" max. X 6.5" L 3U (5.25") X 19.0" X 9.0"	21 pair screw-in Plastic guides installed	CCK13P/90
<b>3U Rack</b> CCA13P-H/90	3U (5.25") X 10.25" W X 9.0" w/flanges	11 pair screw-in Plastic w / rack ears	CCK13P-H/90
<b>3U Rack</b> CCA13P-HT/90	3U (5.25") X 8.25" W X 9.0" no flanges	11 pair screw-in Plastic no rack ears	CCK13P-HT/90
<b>3U Rack</b> CCA13M/90	3U (5.25") X 19.0" X 9.0"	21 pair screw-in Die-Cast Zinc guides	CCK13M/90
<b>3U Rack</b> CCA13M-H/90	3U (5.25") X 10.25" W X 9.0" w/flanges	11 pair screw-in Die-Cast Zinc guides	CCK13M-H/90
<b>3U Rack</b> CCA13M-HT/90	3U (5.25") X 8.25" W X 9.0" no flanges	11 pair screw-in Die-Cast Zinc guides	CCK13M-HT/90
<b>3U Rack</b> CCA14P/90	Card height min 2.50" to 4.50" max. X 9.6" L 3U (5.25") X 19.0" X 12.0"	21 pair screw-in Plastic guides installed	CCK14P/90
<b>3U Rack</b> CCA14M-H/90	3U (5.25") X 10.25" W X 12.0" w/flanges	21 pair screw-in Aluminum guides	CCK14M-H/90
<b>3U Rack</b> CCA16P/90	Card height min 2.50" to 4.50" max. X 13.5" L 3U (5.25") X 19.0" X 15.75"	21 pair screw-in Plastic guides installed	CCK16P/90
<b>4U Rack</b> CCA15P/90	Card height 4.25" min. to 6.25" max. X 9.6" L 4U (7.00") X 19.0" X 12.0"	21 pair screw-in Plastic guides installed	CCK15P/90
<b>4U Rack</b> CCA15M/90	Same	21 pair screw-in Aluminum guides	CCK15M/90
<b>4U Rack</b> CCA20P/90	Card height min. 4.25" to 6.25" max. X 13.5" L 4U (7.00") X 19.0" X 15.75"	21 pair screw-in Plastic guides installed	CCK20P/90
<b>4U Rack</b> CCA20M/90	Same	21 pair screw-in Aluminum guides	CCK20M/90
<b>5U Rack</b> CCA17P/90	Card height min. 6.00" to 8.00" max. X 9.6" L 5U (8.75") X 19.0" X 12.0"	21 pair screw-in Plastic guides installed	CCK17P/90
<b>5U Rack</b> CCA17M/90	Same	21 pair screw-in Aluminum guides	CCK17M/90
<b>6U Rack</b> CCA18P/90	Card height min. 7.75" to 9.750" max. X 13.5" L 6U (10.50") X 19.0" X 15.75"	21 pair screw-in Plastic guides installed	CCK18P/90
<b>6U Rack</b> CCA18M/90	Same	21 pair screw-in Aluminum guides	CCK18M/90
<b>7U Rack</b> CCA19P/90	Card height min. 9.50" to 11.50" max. X 13.5" L 7U (12.25") X 19.0" X 15.75"	21 pair screw-in Plastic guides installed	CCK19P/90
<b>7U Rack</b> CCA19M/90	Same	21 pair screw-in Aluminum guides	CCK19M/90

EIA Subracks





Компания «ЭлектроПласт» предлагает заключение долгосрочных отношений при поставках импортных электронных компонентов на взаимовыгодных условиях!

Наши преимущества:

- Оперативные поставки широкого спектра электронных компонентов отечественного и импортного производства напрямую от производителей и с крупнейших мировых складов;
- Поставка более 17-ти миллионов наименований электронных компонентов;
- Поставка сложных, дефицитных, либо снятых с производства позиций;
- Оперативные сроки поставки под заказ (от 5 рабочих дней);
- Экспресс доставка в любую точку России;
- Техническая поддержка проекта, помощь в подборе аналогов, поставка прототипов;
- Система менеджмента качества сертифицирована по Международному стандарту ISO 9001;
- Лицензия ФСБ на осуществление работ с использованием сведений, составляющих государственную тайну;
- Поставка специализированных компонентов (Xilinx, Altera, Analog Devices, Intersil, Interpoint, Microsemi, Aeroflex, Peregrine, Syfer, Eurofarad, Texas Instrument, Miteq, Cobham, E2V, MA-COM, Hittite, Mini-Circuits, General Dynamics и др.);

Помимо этого, одним из направлений компании «ЭлектроПласт» является направление «Источники питания». Мы предлагаем Вам помощь Конструкторского отдела:

- Подбор оптимального решения, техническое обоснование при выборе компонента;
- Подбор аналогов;
- Консультации по применению компонента;
- Поставка образцов и прототипов;
- Техническая поддержка проекта;
- Защита от снятия компонента с производства.



#### Как с нами связаться

**Телефон:** 8 (812) 309 58 32 (многоканальный)

**Факс:** 8 (812) 320-02-42

**Электронная почта:** [org@eplast1.ru](mailto:org@eplast1.ru)

**Адрес:** 198099, г. Санкт-Петербург, ул. Калинина, дом 2, корпус 4, литера А.