

0.3 μA I_Q Ultra-low Quiescent Current 300 mA Buck DC/DC Converter

No. EA-400-190401

OVERVIEW

RP512x is a DC/DC converter featuring 0.3 μA ultra-low operating quiescent current. It is suitable for use in wearable and IoT devices that require miniaturization and long-lifetime of battery.

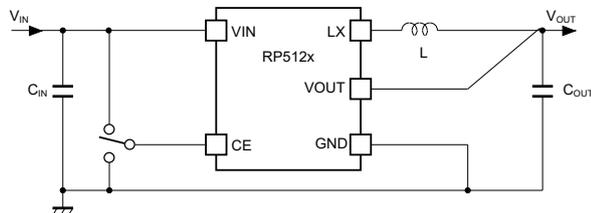
KEY BENEFITS

- VFM (f_{sw} up to 1 MHz) control achieves 0.3 μA ultra-low operating quiescent current.
- The wide range of V_{IN} from 2.0 V to 5.5 V allows operation from coin cell to USB port.
- Total mount area including C_{IN} , C_{OUT} , and inductor is 10.6 mm^2 .
- Selectable packages including WLCSP, DFN, and SOT. 0.4 mm-thickness WLCSP package adaptable to IC cards.

KEY SPECIFICATIONS

- Output Current: 300 mA
- Output Voltage Range: 1.0 V to 4.0 V (Settable in 0.1 V step)
- Output Voltage Accuracy: $\pm 1.5\%$ ($V_{\text{SET}} \geq 1.2 \text{ V}$), $\pm 18 \text{ mV}$ ($V_{\text{SET}} < 1.2 \text{ V}$)
- Built-in Driver On-resistance ($V_{\text{IN}} = 3.6 \text{ V}$): Typ. PMOS 0.15 Ω , NMOS 0.15 Ω (RP512Z)
- Standby Current: 0.01 μA

TYPICAL APPLICATIONS



L: 2.2 μH , C_{OUT} : 22 μF

PACKAGES

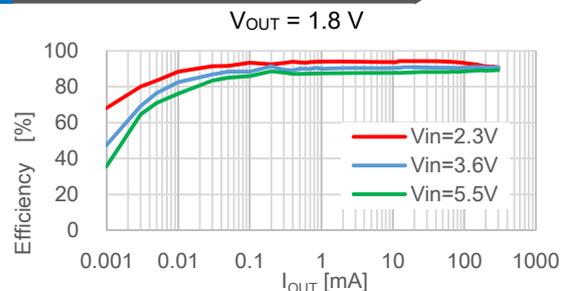


WLCSP-8-P1 1.45 mm x 1.48 mm, t=0.4mm (max.)	DFN(PLP)2527-10 2.7mm x 2.5 mm, t=0.6mm (max.)	SOT-89-5 4.5mm x 4.35mm, t=1.6mm (max.)
--	--	---

APPLICATIONS

- Wearable equipment such as SmartWatch, SmartBand, and health monitoring
- Li-ion battery-used equipment, Coin cell-used equipment
- Low power RF such as *Bluetooth*® Low Energy, Zigbee, WiSun, and ANT
- Low power CPU, memory, sensor devices, and energy harvesting

TYPICAL CHARACTERISTICS



SELECTION GUIDE

Product Name	Package	Q'ty per Reel
RP512Zxx1\$-TR-F	WLCSP-8-P1	5,000 pcs
RP512Kxx1\$-TR	DFN2527(PLP)-10	5,000 pcs
RP512Hxx1\$-T1-FE	SOT-89-5	1,000 pcs

xx: Set output voltage (V_{SET})
Fixed Output Voltage Type:
1.0 V (10) to 4.0 V (40) in 0.1 V step.

\$: Version

Version	Auto-discharge Function	V_{SET}
C	No	1.0 V to 4.0 V
D	Yes	

RP512x

No. EA-400-190401

SELECTION GUIDE

The set output voltage, the output voltage type, and the auto-discharge function⁽¹⁾, and the package for the ICs are user-selectable options.

Selection Guide

Product Name	Package	Quantity per Reel	Pb Free	Halogen Free
RP512Zxx1\$-TR-F	WLCSP-8-P1	5,000 pcs	Yes	Yes
RP512Kxx1\$-TR	DFN(PLP)2527-10	5,000 pcs	Yes	Yes
RP512Hxx1\$-T1-FE	SOT-89-5	1,000 pcs	Yes	Yes

xx: Designation of the set output voltage (V_{SET})

For Fixed Output Voltage Type⁽²⁾: 1.0 V (10) to 4.0 V (40) in 0.1 V step

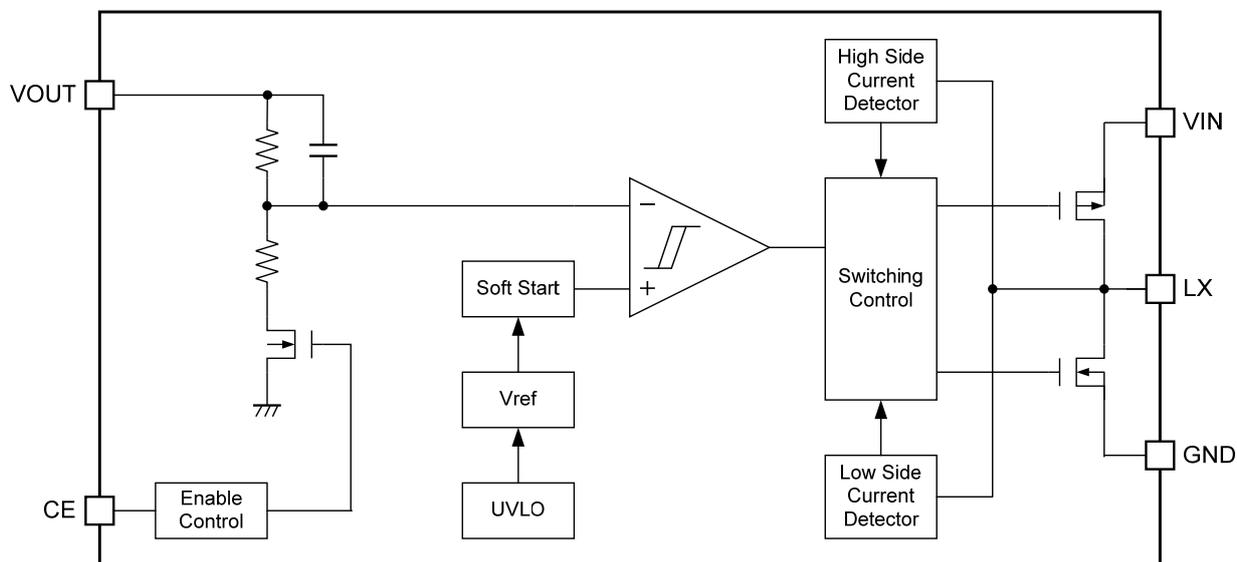
\$: Designation of Version

Version	Auto-discharge Function	V_{SET}
C	Disable	1.0 V to 4.0 V
D	Auto-discharge	

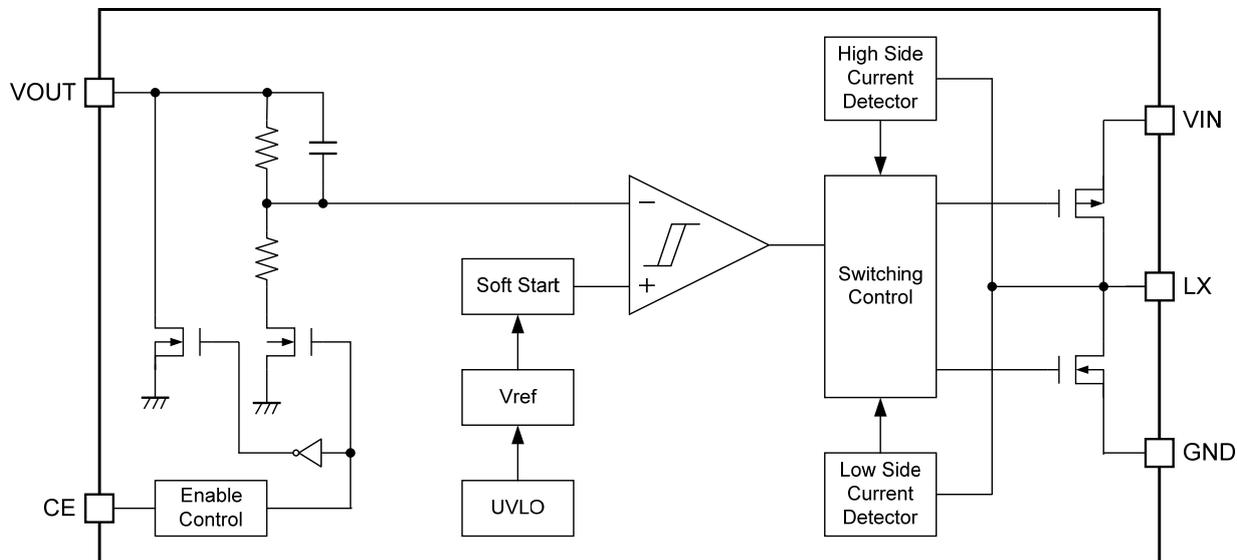
⁽¹⁾ Auto-discharge function quickly lowers the output voltage to 0 V, when the chip enable signal is switched from the active mode to the standby mode, by releasing the electrical charge accumulated in the external capacitor.

⁽²⁾ The customization of specifying in 0.05 V step is available.

BLOCK DIAGRAM



RP512xxx1C Block Diagram

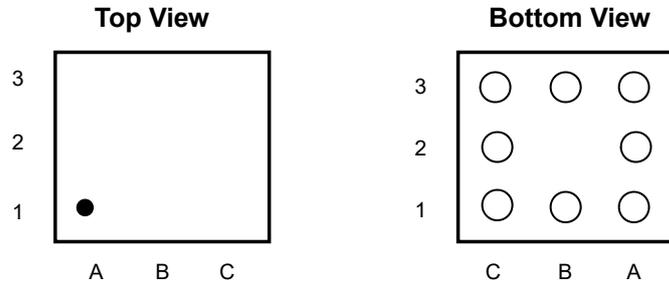


RP512xxx1D Block Diagram

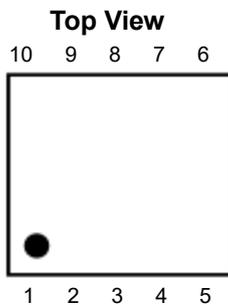
RP512x

No. EA-400-190401

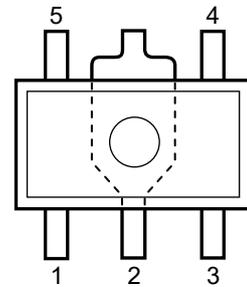
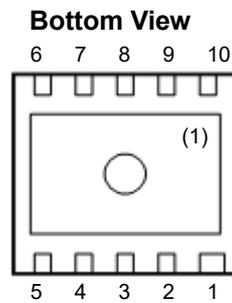
PIN DESCRIPTION



RP512Z (WLCSP-8-P1) Pin Configuration



RP512K [DFN(PLP)2527-10] Pin Configuration



RP512H (SOT-89-5) Pin Configuration

RP512Z Pin Description

Pin No.	Symbol	Description
A1	VIN	Input Pin
B1	VIN	Input Pin
C1	LX	Switching Pin
A2	VOUT	Output voltage Pin
C2	GND	Ground Pin
A3	CE	Chip Enable Pin (Active-high)
B3	GND	Ground Pin
C3	GND	Ground Pin

⁽¹⁾ The tab on the bottom of the package enhances thermal performance and is electrically connected to GND (substrate level). It is recommended that the tab be connected to the ground plane on the board, or otherwise be left floating.

RP512K Pin Description

Pin No.	Symbol	Description
1	VOUT	Output Pin
2	GND	Ground Pin
3	GND	Ground Pin
4	LX	Switching Pin
5	LX	Switching Pin
6	VIN	Input Pin
7	VIN	Input Pin
8	NC	No connection
9	CE	Chip Enable Pin (Active-high)
10	NC	No connection

RP512H Pin Description

Pin No.	Symbol	Description
1	VOUT	Output Pin
2	GND	Ground Pin
3	LX	Switching Pin
4	VIN	Input Pin
5	CE	Chip Enable Pin (Active-high)

RP512x

No. EA-400-190401

ABSOLUTE MAXIMUM RATINGS

Absolute Maximum Ratings

(GND = 0 V)

Symbol	Parameter	Rating	Unit	
V_{IN}	Input Voltage	-0.3 to 6.5	V	
V_{LX}	LX Pin Voltage	-0.3 to $V_{IN} + 0.3$	V	
V_{CE}	CE Pin Voltage	-0.3 to 6.5	V	
V_{MODE}	MODE Pin Voltage	-0.3 to 6.5	V	
V_{OUT}	VOUT Pin Voltage	-0.3 to 6.5	V	
I_{LX}	LX Pin Output Current	650	mA	
P_D	Power Dissipation ⁽¹⁾	WLCSP-8-P1, JEDEC STD. 51-9	1140	mW
		DFN(PLP)2527-10, JEDEC STD. 51-7	2500	mW
		SOT-89-5, JEDEC STD. 51-7	2600	mW
T_j	Junction Temperature Range	-40 to 125	°C	
T_{stg}	Storage Temperature Range	-55 to 125	°C	

ABSOLUTE MAXIMUM RATINGS

Electronic and mechanical stress momentarily exceeded absolute maximum ratings may cause the permanent damages and may degrade the lifetime and safety for both device and system using the device in the field. The functional operation at or over these absolute maximum ratings is not assured.

RECOMMENDED OPERATING CONDITIONS

Recommended Operating Conditions

Symbol	Parameter	Rating	Unit
V_{IN}	Input Voltage	2.0 to 5.5	V
T_a	Operating Temperature Range	-40 to 85	°C

RECOMMENDED OPERATING CONDITIONS

All of electronic equipment should be designed that the mounted semiconductor devices operate within the recommended operating conditions. The semiconductor devices cannot operate normally over the recommended operating conditions, even if when they are used over such conditions by momentary electronic noise or surge. And the semiconductor devices may receive serious damage when they continue to operate over the recommended operating conditions.

⁽¹⁾ Refer to *POWER DISSIPATION* for detailed information.

ELECTRICAL CHARACTERISTICS

The specifications surrounded by are guaranteed by design engineering at $-40^{\circ}\text{C} \leq T_a \leq 85^{\circ}\text{C}$.

RP512x Electrical Characteristics

($T_a = 25^{\circ}\text{C}$)

Symbol	Parameter	Condition	Min.	Typ.	Max.	Unit	
V_{OUT}	Output Voltage	$V_{\text{IN}} = V_{\text{CE}} = 3.6\text{ V}$ ($V_{\text{SET}} \leq 2.6\text{ V}$), $V_{\text{IN}} = V_{\text{CE}} = V_{\text{SET}} + 1\text{ V}$ ($V_{\text{SET}} > 2.6\text{ V}$)	$V_{\text{SET}} \geq 1.2\text{ V}$	x 0.985		x 1.015	V
			$V_{\text{SET}} < 1.2\text{ V}$	-0.018		+0.018	
I_{Q}	Operating Quiescent Current	$V_{\text{IN}} = V_{\text{CE}} = V_{\text{OUT}} = 3.6\text{ V}$, $V_{\text{SET}} = 1.8\text{ V}$, device not switching		0.3		μA	
I_{STANDBY}	Standby Current	$V_{\text{IN}} = 5.5\text{ V}$, $V_{\text{CE}} = 0\text{ V}$		0.01	0.5	μA	
I_{CEH}	CE Pin Input Current, high	$V_{\text{IN}} = V_{\text{CE}} = 5.5\text{ V}$	-0.025	0	0.025	μA	
I_{CEL}	CE Pin Input Current, low	$V_{\text{IN}} = 5.5\text{ V}$, $V_{\text{CE}} = 0\text{ V}$	-0.025	0	0.025	μA	
I_{VOUTH}	V_{OUT} "High" Input Current	$V_{\text{IN}} = V_{\text{OUT}} = 5.5\text{ V}$, $V_{\text{CE}} = 0\text{ V}$	-0.025	0	0.025	μA	
I_{VOUTL}	V_{OUT} "Low" Input Current	$V_{\text{IN}} = 5.5\text{ V}$, $V_{\text{CE}} = V_{\text{OUT}} = 0\text{ V}$	-0.025	0	0.025	μA	
R_{DISN}	Auto-discharge NMOS On-state Resistance ⁽¹⁾	$V_{\text{IN}} = 3.6\text{ V}$, $V_{\text{CE}} = 0\text{ V}$		60		Ω	
V_{CEH}	CE Pin Input Voltage, high	$V_{\text{IN}} = 5.5\text{ V}$	1.0			V	
V_{CEL}	CE Pin Input Voltage, low	$V_{\text{IN}} = 2.0\text{ V}$			0.4	V	
R_{ONP}	PMOS On-state Resistance	RP512Z	$V_{\text{IN}} = 3.6\text{ V}$, $I_{\text{LX}} = -100\text{ mA}$		0.15		Ω
		RP512K	$V_{\text{IN}} = 3.6\text{ V}$, $I_{\text{LX}} = -100\text{ mA}$		0.19		Ω
		RP512H	$V_{\text{IN}} = 3.6\text{ V}$, $I_{\text{LX}} = -100\text{ mA}$		0.19		Ω
R_{ONN}	NMOS On-state Resistance	RP512Z	$V_{\text{IN}} = 3.6\text{ V}$, $I_{\text{LX}} = -100\text{ mA}$		0.15		Ω
		RP512K	$V_{\text{IN}} = 3.6\text{ V}$, $I_{\text{LX}} = -100\text{ mA}$		0.19		Ω
		RP512H	$V_{\text{IN}} = 3.6\text{ V}$, $I_{\text{LX}} = -100\text{ mA}$		0.19		Ω
t_{START}	Soft-start Time	$V_{\text{IN}} = V_{\text{CE}} = 3.6\text{ V}$ ($V_{\text{SET}} \leq 2.6\text{ V}$), $V_{\text{IN}} = V_{\text{CE}} = V_{\text{SET}} + 1\text{ V}$ ($V_{\text{SET}} > 2.6\text{ V}$)		10		ms	
I_{LXLIM}	LX Current Limit	$V_{\text{IN}} = V_{\text{CE}} = 3.6\text{ V}$ ($V_{\text{SET}} \leq 2.6\text{ V}$), $V_{\text{IN}} = V_{\text{CE}} = V_{\text{SET}} + 1\text{ V}$ ($V_{\text{SET}} > 2.6\text{ V}$)	300	580		mA	
V_{UVLOF}	Undervoltage Lockout (UVLO) Threshold	$V_{\text{IN}} = V_{\text{CE}}$, Falling	1.40	1.50	1.65	V	
V_{UVLOR}		$V_{\text{IN}} = V_{\text{CE}}$, Rising	1.55	1.65	1.80	V	

All test items listed under Electrical Characteristics are done under the pulse load condition ($T_j \approx T_a = 25^{\circ}\text{C}$).
Test circuit is operated with "Open Loop Control" ($\text{GND} = 0\text{ V}$), unless otherwise specified.

⁽¹⁾ RP512xxx1D only

RP512x

No. EA-400-190401

Product-specific Electrical Characteristics

Product Name	V _{OUT}		
	Min.	Typ.	Max.
RP512x101x	0.9820	1.00	1.0180
RP512x111x	1.0820	1.10	1.1180
RP512x121x	1.1820	1.20	1.2180
RP512x131x	1.2805	1.30	1.3195
RP512x141x	1.3790	1.40	1.4210
RP512x151x	1.4775	1.50	1.5225
RP512x161x	1.5760	1.60	1.6240
RP512x171x	1.6745	1.70	1.7255
RP512x181x	1.7730	1.80	1.8270
RP512x191x	1.8715	1.90	1.9285
RP512x201x	1.9700	2.00	2.0300
RP512x211x	2.0685	2.10	2.1315
RP512x221x	2.1670	2.20	2.2330
RP512x231x	2.2655	2.30	2.3345
RP512x241x	2.3640	2.40	2.4360
RP512x251x	2.4625	2.50	2.5375
RP512x261x	2.5610	2.60	2.6390
RP512x271x	2.6595	2.70	2.7405
RP512x281x	2.7580	2.80	2.8420
RP512x291x	2.8565	2.90	2.9435
RP512x301x	2.9550	3.00	3.0450
RP512x311x	3.0535	3.10	3.1465
RP512x321x	3.1520	3.20	3.2480
RP512x331x	3.2505	3.30	3.3495
RP512x341x	3.3490	3.40	3.4510
RP512x351x	3.4475	3.50	3.5525
RP512x361x	3.5460	3.60	3.6540
RP512x371x	3.6445	3.70	3.7555
RP512x381x	3.7430	3.80	3.8570
RP512x391x	3.8415	3.90	3.9585
RP512x401x	3.9400	4.00	4.0600

THEORY OF OPERATION

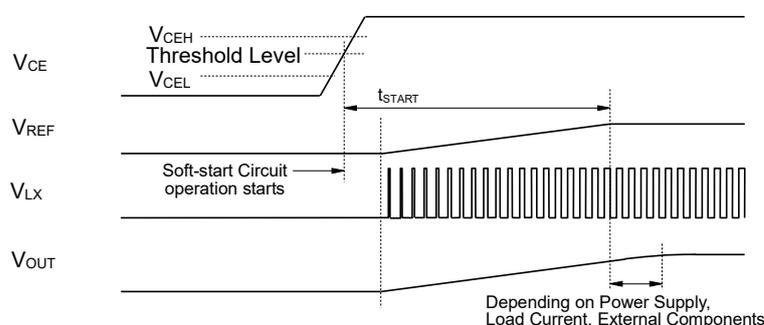
Soft-start Time

Starting-up with CE Pin

The IC starts to operate when the CE pin voltage (V_{CE}) exceeds the threshold voltage. The threshold voltage is preset between CE "H" input voltage (V_{CEH}) and CE "Low" input voltage (V_{CEL}).

After the start-of the start-up of the IC, soft-start circuit starts to operate. Then, after a certain period of time, the reference voltage (V_{REF}) in the IC gradually increases up to the specified value.

Notes: Soft start time (t_{START})⁽¹⁾ is not always equal to the turn-on speed of the step-down DC/DC converter. Please note that the turn-on speed could be affected by the power supply capacity, the output current, the inductance value and the C_{OUT} value.

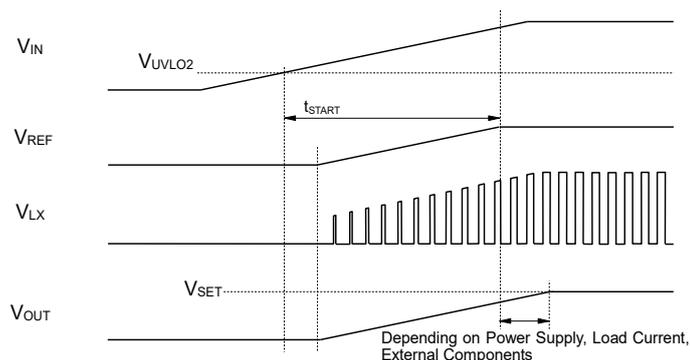


Timing Chart when Starting-up with CE Pin

Starting-up with Power Supply

After the power-on, when V_{IN} exceeds the UVLO released voltage (V_{UVLO2}), the IC starts to operate. Then, soft-start circuit starts to operate and after a certain period of time, V_{REF} gradually increases up to the specified value.

Note: Please note that the turn-on speed of V_{OUT} could be affected by the power supply capacity, the output current, the inductance value, the C_{OUT} value and the turn-on speed of V_{IN} determined by C_{IN} .



Timing Chart when Starting-up with Power Supply

⁽¹⁾ Soft-start time (t_{START}) indicates the duration until the reference voltage (V_{REF}) reaches the specified voltage after soft-start circuit's activation.

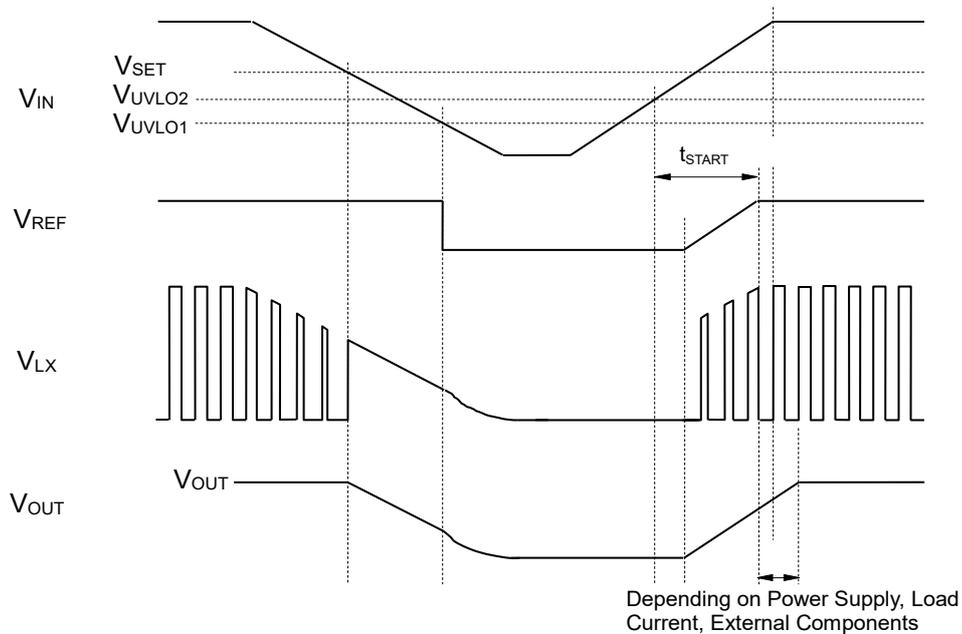
Undervoltage Lockout (UVLO) Circuit

If V_{IN} becomes lower than V_{SET} , the step-down DC/DC converter stops the switching operation and ON duty becomes 100%, and then V_{OUT} gradually drops according to V_{IN} . If the V_{IN} drops more and becomes lower than the UVLO detector threshold (V_{UVLO1}), the UVLO circuit starts to operate, V_{REF} stops, and PMOS and NMOS built-in switch transistors turn "OFF". As a result, V_{OUT} drops according to the C_{OUT} capacitance value and I_{OUT} .

As for RP512xxx1D, the discharge transistor for C_{OUT} discharges after it turns on. To restart the operation, V_{IN} needs to be higher than V_{UVLO2} .

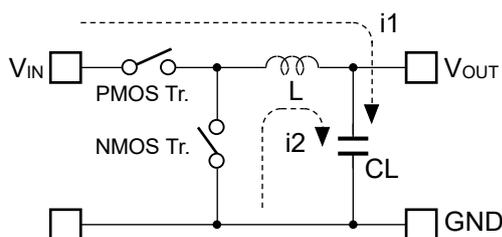
The timing chart below shows the voltage shifts of V_{REF} , V_{LX} and V_{OUT} when V_{IN} value is varied.

Note: Falling edge (operating) and rising edge (releasing) waveforms of V_{OUT} could be affected by the initial voltage of C_{OUT} and the output current of V_{OUT} .

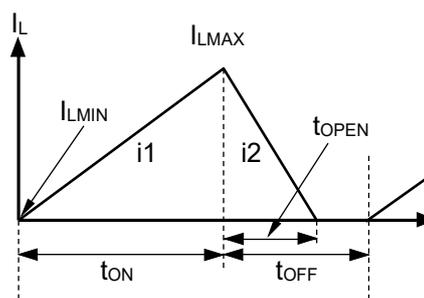
**Timing Chart with Variations in Input Voltage (V_{IN})**

Operation of Step-down DC/DC Converter and Output Current

The step-down DC/DC converter charges energy in the inductor when LX transistor turns “ON”, and discharges the energy from the inductor when LX transistor turns “OFF” and controls with less energy loss, so that a lower output voltage (V_{OUT}) than the input voltage (V_{IN}) can be obtained. The operation of the step-down DC/DC converter is explained in the following figures.



Basic Circuit



Inductor Current (I_L) flowing through Inductor (L)

- Step1.** PMOS transistor turns “ON” and I_L ($i1$) flows, L is charged with energy. At this moment, $i1$ increases from the minimum inductor current (I_{LMIN}), which is 0 A, and reaches the maximum inductor current (I_{LMAX}) in proportion to the on-time period (t_{ON}) of PMOS transistor.
- Step2.** When PMOS transistor turns “OFF”, L tries to maintain I_L at I_{LMAX} , so L turns NMOS transistor “ON” and I_L ($i2$) flows into L .
- Step3.** $i2$ decreases gradually and reaches I_{LMIN} after the open-time period (t_{OPEN}) of NMOS transistor, and then NMOS transistor turns “OFF”. This is called discontinuous current mode.
As the output current (I_{OUT}) increases, the off-time period (t_{OFF}) of PMOS transistor runs out before I_L reaches I_{LMIN} . The next cycle starts, and PMOS transistor turns “ON” and NMOS transistor turns “OFF”, which means I_L starts increasing from I_{LMIN} . This is called continuous current mode.

When the step-down DC/DC operation is constant, I_{LMIN} and I_{LMAX} during t_{ON} of PMOS transistor would be same as during t_{OFF} of PMOS transistor. The current differential between I_{LMAX} and I_{LMIN} is described as ΔI , as the following equation 1.

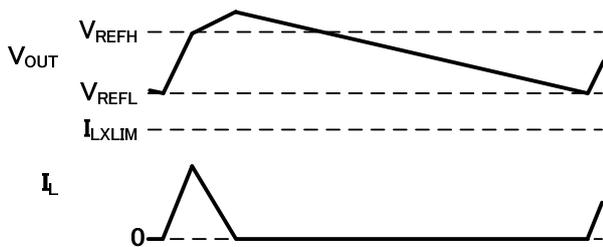
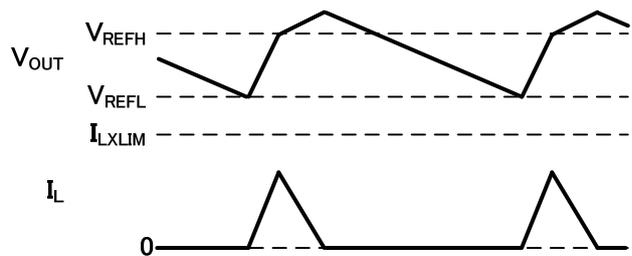
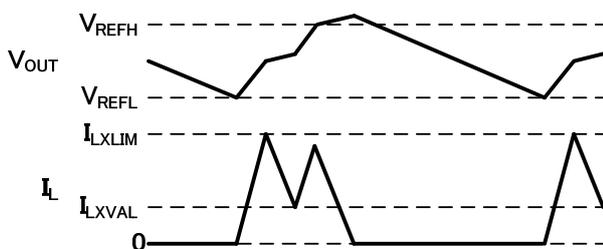
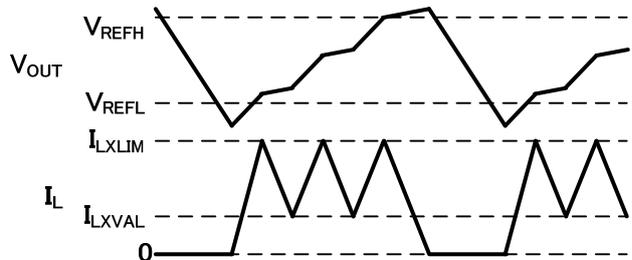
$$\Delta I = I_{LMAX} - I_{LMIN} = V_{OUT} \times t_{OPEN} / L = (V_{IN} - V_{OUT}) \times t_{ON} / L \dots \dots \dots (1)$$

VFM Mode

A switching method is a VFM (Variable Frequency Modulation) mode to achieve a high efficiency during light load conditions. A switching frequency varies depending on values of input voltage (V_{IN}), output voltage (V_{OUT}), and output current (I_{OUT}). Check the actual characteristics for concerns regarding the switching noise.

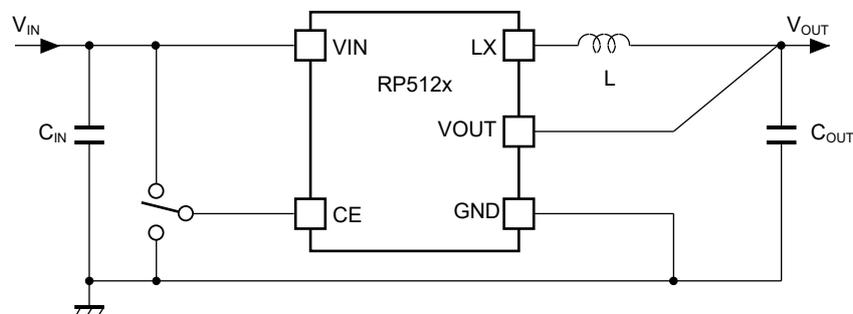
A switching starts when V_{OUT} drops below the lower-limit reference voltage (V_{REFL}). When V_{OUT} exceeds the upper-limit reference voltage (V_{REFH}), a constant voltage outputs by a hysteresis control which stops the switching.

In order not to exceed the rated current of inductor or to avoid using the deteriorated band frequency of DC superimposed characteristics, the operation shifts to off-cycle once when the inductor current (I_L) exceeds LX current limit (I_{LXLIM}), and then it shifts back to on-cycle again when I_L drops below the valley current limit (I_{LXVAL}).

**No Load****Light Load****Medium Load****Heavy Load**

APPLICATION INFORMATION

Typical Application



RP512x Typical Application

Recommended External Components

Symbol	Descriptions
C _{IN}	10 μF, GRM155R60J106ME44D, MURATA
C _{OUT}	22 μF, JMK107BBJ226MA-T, TAIYO
L	2.2 μH, DFE201610P-2R2M, TOKO

Precautions for Selecting External Components

- Using ceramic capacitors with low ESR (Equivalent Series Resistance) are recommended. Select capacitors with considerations of bias characteristics and input/output voltages.
- When a built-in Lx switch is turned off, a spike-like high voltage may be generated due to an action of an inductor. Using 1.5 times or more of a set output voltage is recommended for the withstanding voltage of C_{OUT}.
- Select an inductor that has small DC resistance, has sufficient allowable current and is hard to cause magnetic saturation.

TECHNICAL NOTES

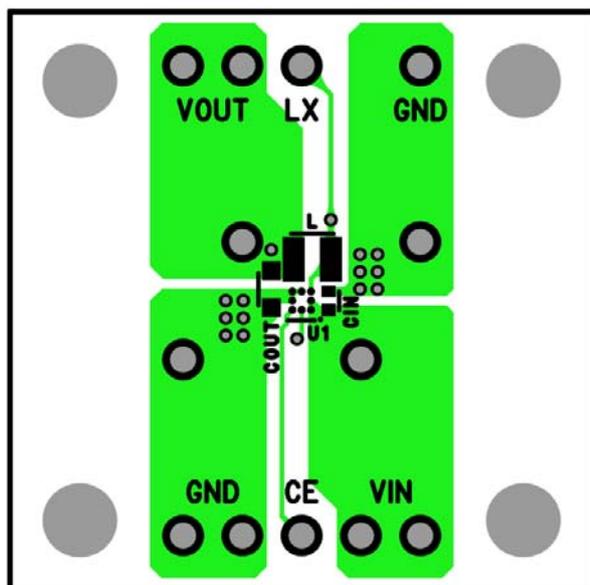
The performance of a power source circuit using this device is highly dependent on a peripheral circuit. A peripheral component or the device mounted on PCB should not exceed a rated voltage, a rated current or a rated power. When designing a peripheral circuit, please be fully aware of the following points. Refer to *PCB Layout* below.

- External components must be connected as close as possible to the ICs and make wiring as short as possible. Especially, the capacitor connected in between VIN pin and GND pin must be wiring the shortest.
- If the impedance of power supply lines and GND lines is high, the internal voltage of the IC may shift by the switching current, and the operating may be unstable. Make the power supply and GND lines sufficient.
- A sufficient consideration is required due to a large switching current flows through power supply lines, GND lines, an inductor, L_X, and V_{OUT} line.
- The wiring between V_{OUT} pin and inductor should be separated from the wiring connected to the load.
- When an intermediate voltage other than V_{IN} or GND is input to the CE pin, a supply current may be increased with a through current of a logic circuit in the IC. The CE pin is neither pulled up nor pulled down, therefore an operation is not stable at open.

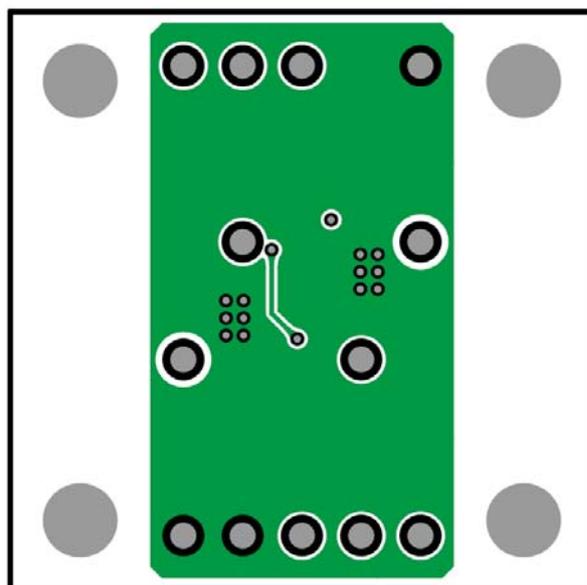
PCB Layout

RP512Zxx1x (WLCSP-8-P1)

Top Layer

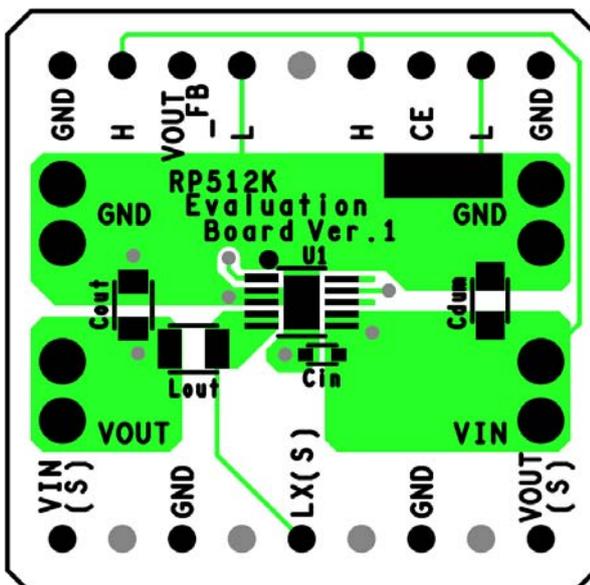


Bottom Layer

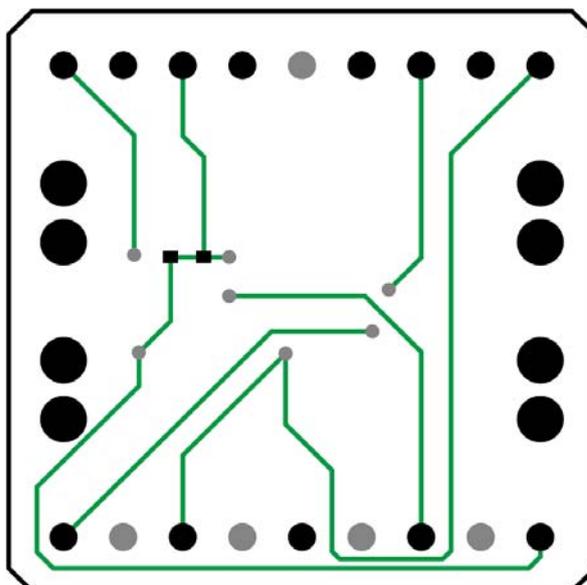


RP512Kxx1x [DFN(PLP)2527-10]

Top Layer



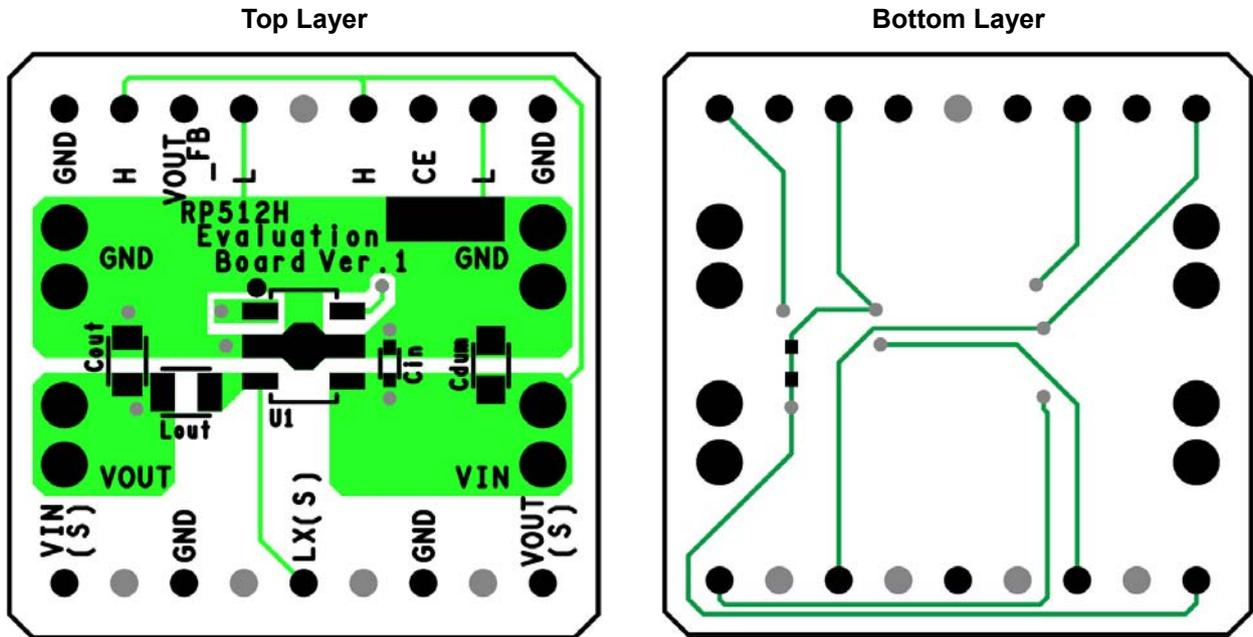
Bottom Layer



RP512x

No. EA-400-190401

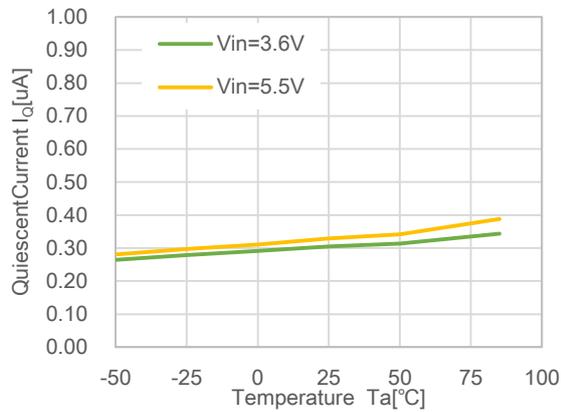
RP512Hxx1x (SOT-89-5)



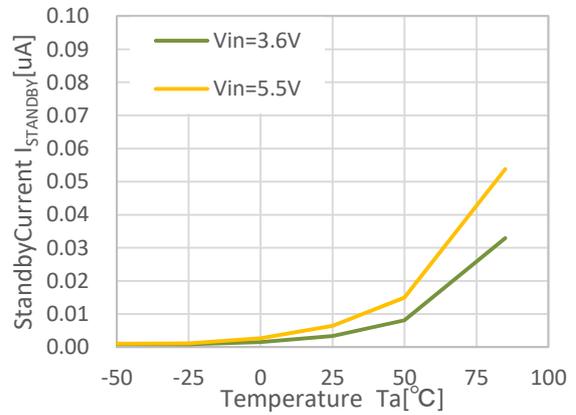
TYPICAL CHARACTERISTICS

Typical Characteristics are intended to be used as reference data; they are not guaranteed.

1) Quiescent Current vs. Temperature

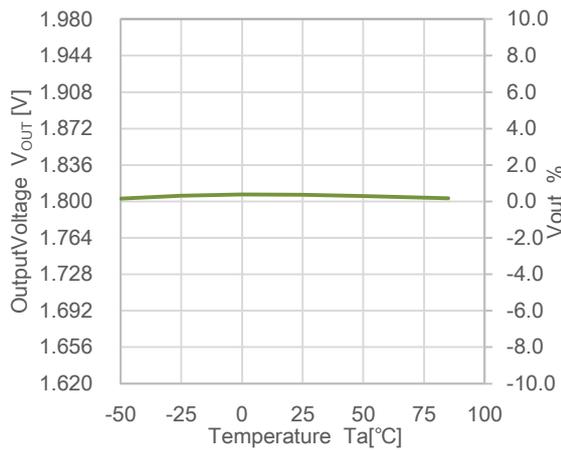


2) Standby Current vs. Temperature



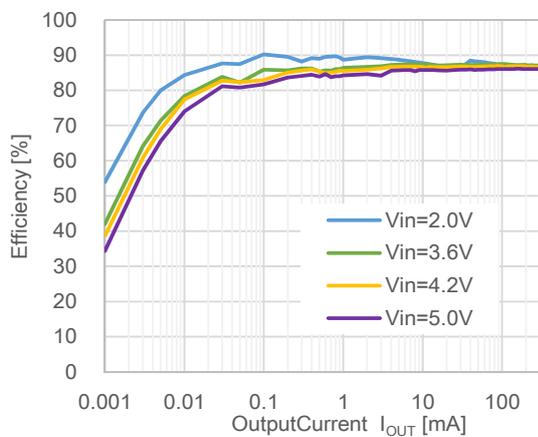
3) Output Voltage vs. Temperature

RP512x181x, V_{IN} = 3.6 V

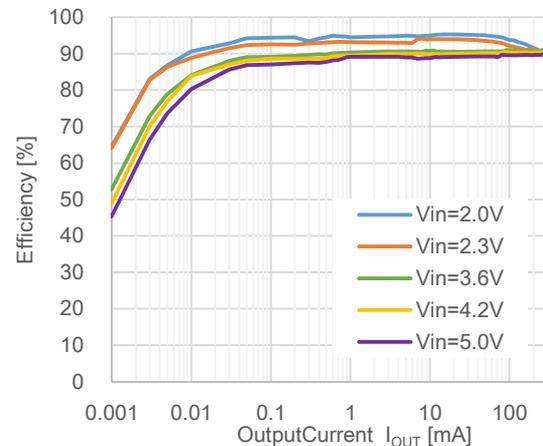


4) Efficiency vs. Output Current

RP512x121x, Ta = 25°C



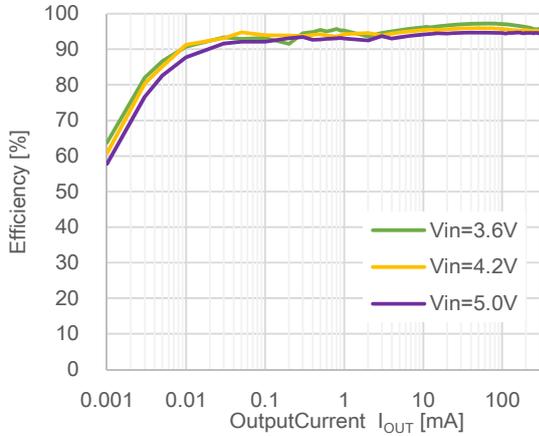
RP512x181x, Ta = 25°C



RP512x

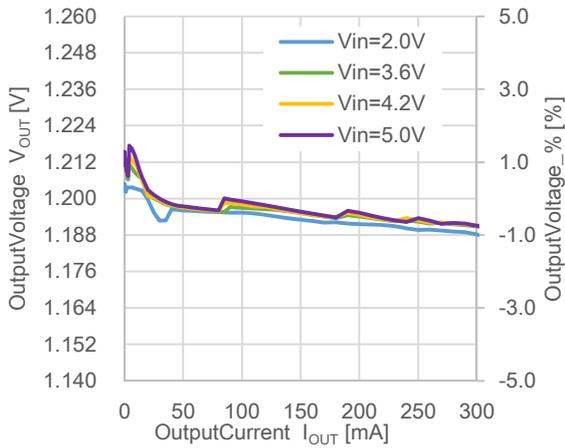
No. EA-400-190401

RP512x331x, Ta = 25°C

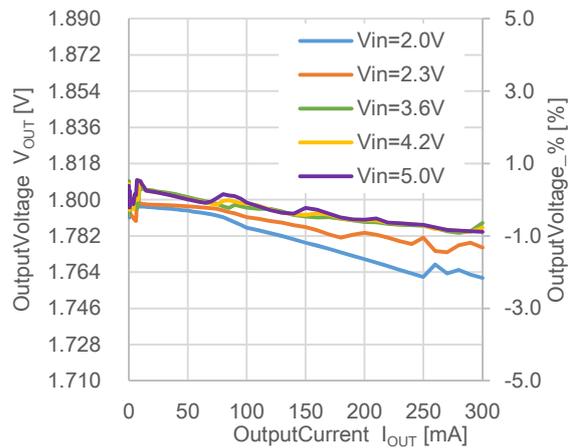


5) Output Voltage vs. Output Current

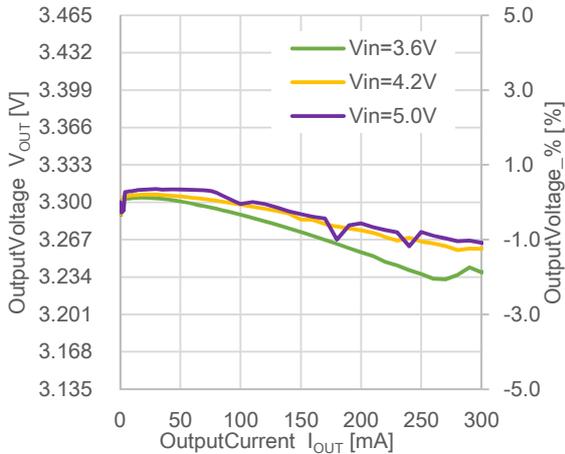
RP512x121x, Ta = 25°C



RP512x181x, Ta = 25°C

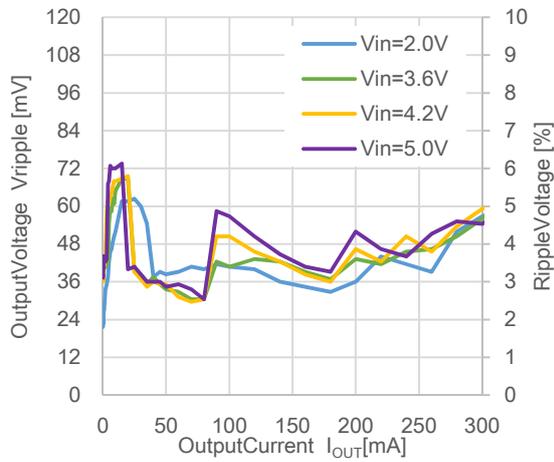


RP512x331x, Ta = 25°C

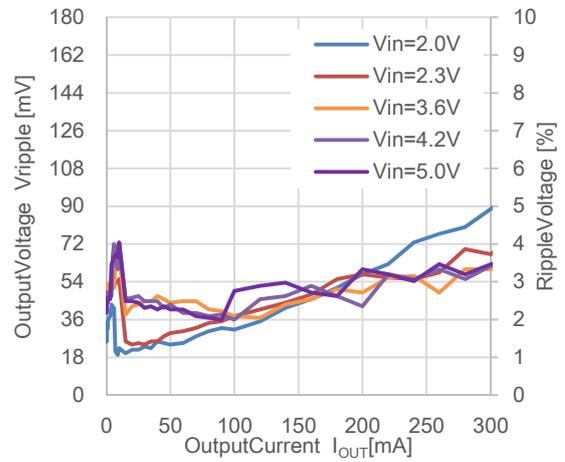


6) Ripple Voltage vs. Output Current

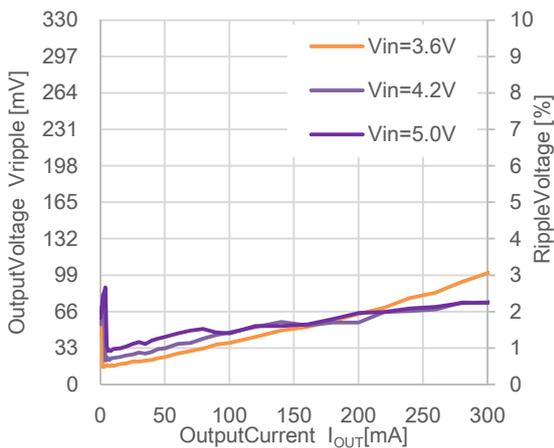
RP512x121x, Ta = 25°C



RP512x181x, Ta = 25°C

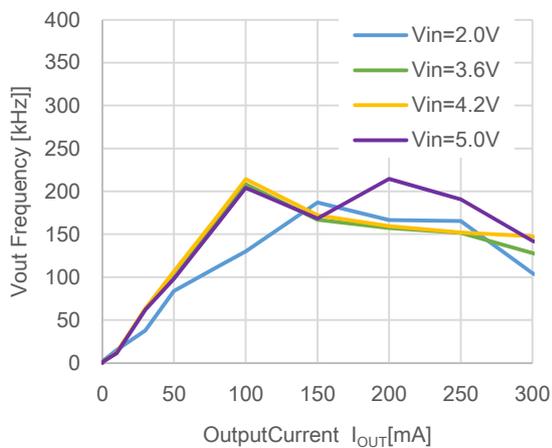


RP512x331x, Ta = 25°C

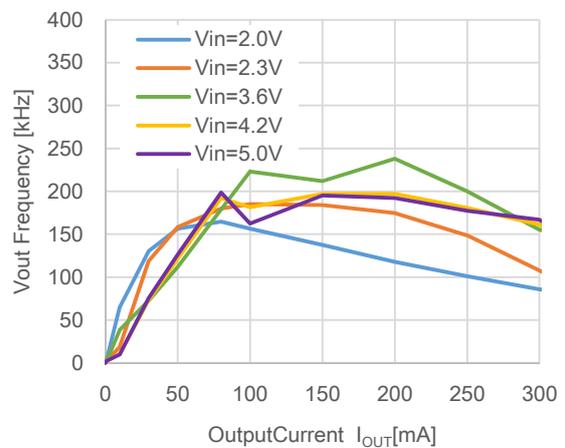


7) Switching Frequency vs. Output Current

RP512x121x, Ta = 25°C



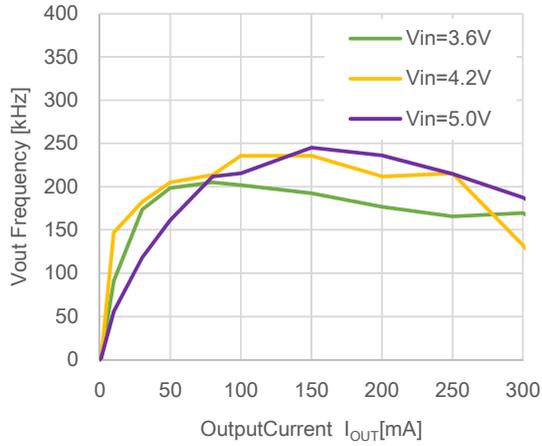
RP512x181x, Ta = 25°C



RP512x

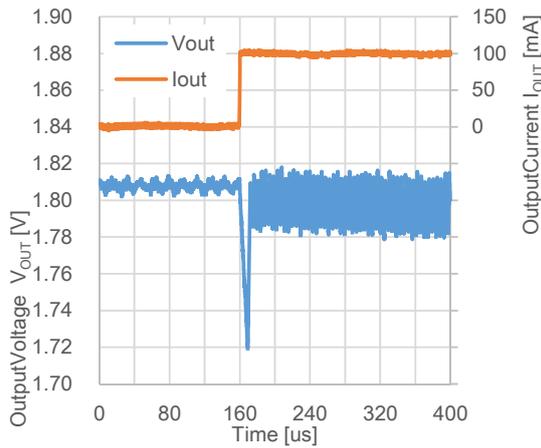
No. EA-400-190401

RP512x331x, Ta = 25°C

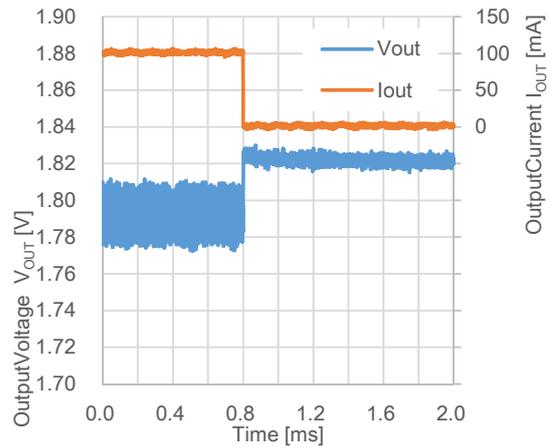


8) Load Transient Response

RP512x181x, Ta = 25°C, V_{IN} = 3.6 V
I_{OUT} = 0.01 mA -> 100 mA



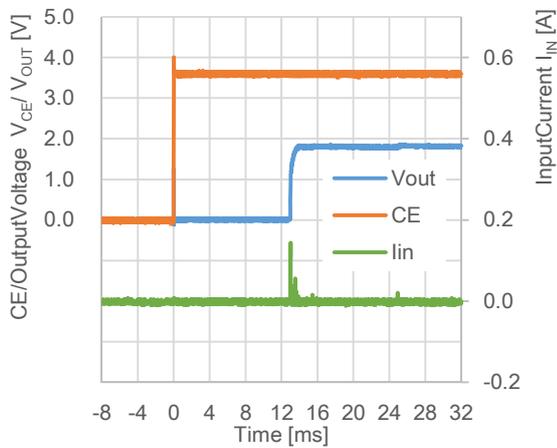
I_{OUT} = 100 mA -> 0.01 mA



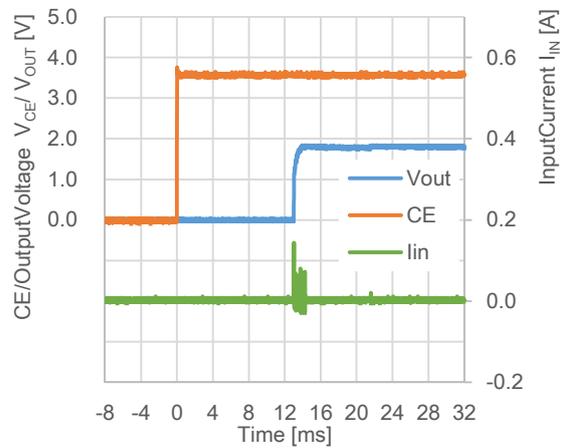
9) Soft Start Time

RP512x181x, Ta = 25°C

V_{IN} = V_{CE} = 0 V -> 3.6 V, Δt = 10 μs



V_{IN} = 3.6 V, V_{CE} = 0 V -> 3.6 V, Δt = 10 μs



The power dissipation of the package is dependent on PCB material, layout, and environmental conditions. The following measurement conditions are based on JEDEC STD. 51-9.

Measurement Conditions

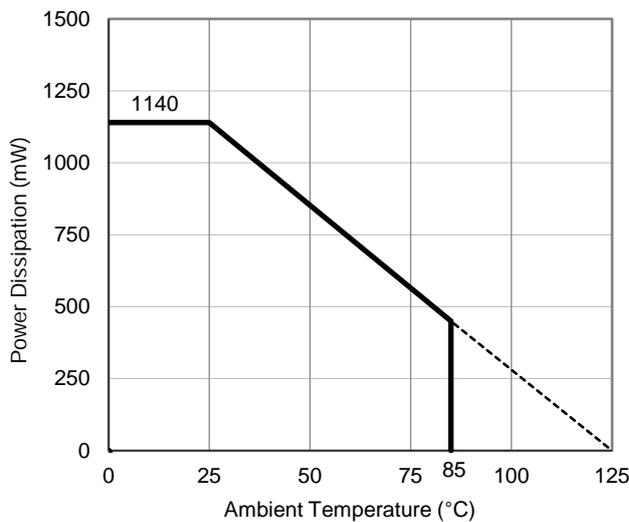
Item	Measurement Conditions
Environment	Mounting on Board (Wind Velocity = 0 m/s)
Board Material	Glass Cloth Epoxy Plastic (Four-Layer Board)
Board Dimensions	101.5 mm x 114.5 mm x 1.6 mm
Copper Ratio	Outer Layers (First and Fourth Layers): 60% Inner Layers (Second and Third Layers): 100%

Measurement Result

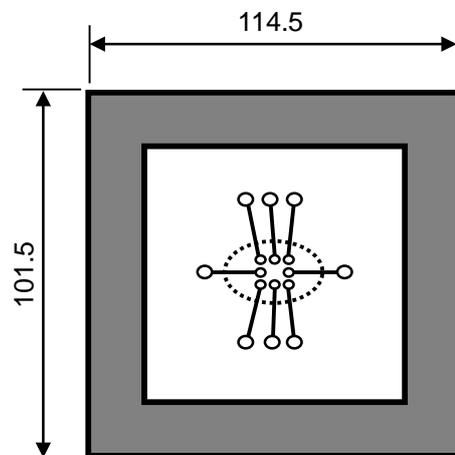
(Ta = 25°C, Tjmax = 125°C)

Item	Measurement Result
Power Dissipation	1140 mW
Thermal Resistance (θ_{ja})	$\theta_{ja} = 87^{\circ}\text{C/W}$

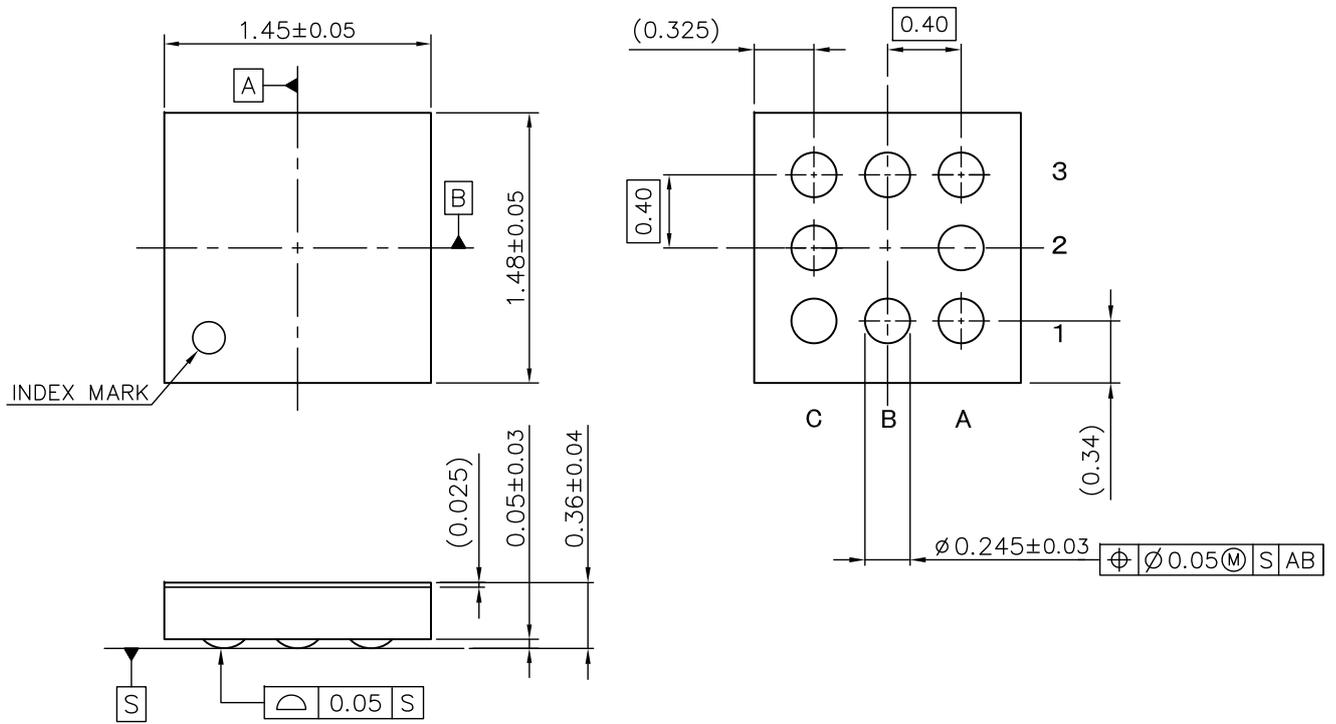
θ_{ja} : Junction-to-Ambient Thermal Resistance



Power Dissipation vs. Ambient Temperature



Measurement Board Pattern



WLCSP-8-P1 Package Dimensions (Unit: mm)

The power dissipation of the package is dependent on PCB material, layout, and environmental conditions. The following measurement conditions are based on JEDEC STD. 51-7.

Measurement Conditions

Item	Measurement Conditions
Environment	Mounting on Board (Wind Velocity = 0 m/s)
Board Material	Glass Cloth Epoxy Plastic (Four-Layer Board)
Board Dimensions	76.2 mm × 114.3 mm × 0.8 mm
Copper Ratio	Outer Layer (First Layer): Less than 95% of 50 mm Square Inner Layers (Second and Third Layers): Approx. 100% of 50 mm Square Outer Layer (Fourth Layer): Approx. 100% of 50 mm Square
Through-holes	φ 0.3 mm × 30 pcs

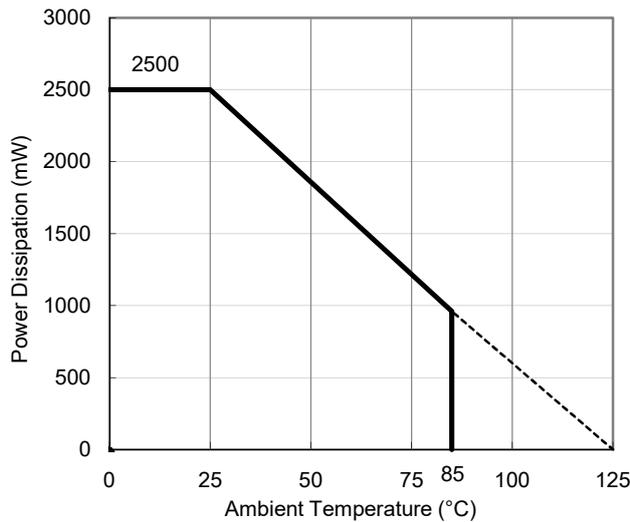
Measurement Result

(Ta = 25°C, Tjmax = 125°C)

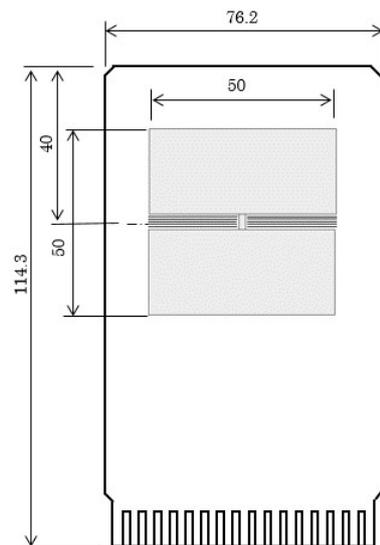
Item	Measurement Result
Power Dissipation	2500 mW
Thermal Resistance (θ_{ja})	$\theta_{ja} = 39^{\circ}\text{C/W}$
Thermal Characterization Parameter (ψ_{jt})	$\psi_{jt} = 11^{\circ}\text{C/W}$

θ_{ja} : Junction-to-Ambient Thermal Resistance

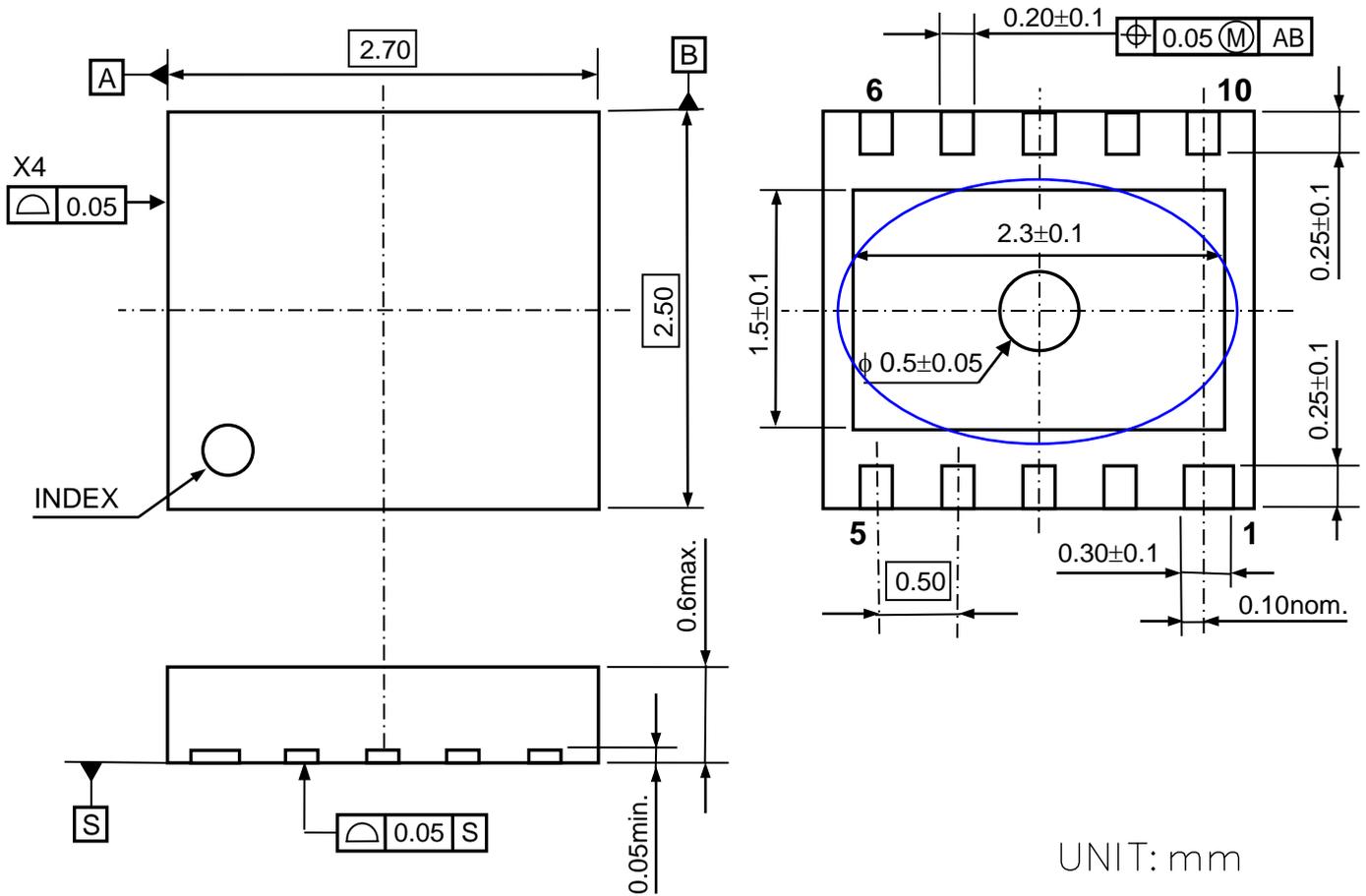
ψ_{jt} : Junction-to-Top Thermal Characterization Parameter



Power Dissipation vs. Ambient Temperature



Measurement Board Pattern



DFN(PLP)2527-10 Package Dimensions

* The tab on the bottom of the package is substrate level (GND). It is recommended that the tab be connected to the ground plane on the board, or otherwise be left floating.

The power dissipation of the package is dependent on PCB material, layout, and environmental conditions. The following measurement conditions are based on JEDEC STD. 51-7.

Measurement Conditions

Item	Measurement Conditions
Environment	Mounting on Board (Wind Velocity = 0 m/s)
Board Material	Glass Cloth Epoxy Plastic (Four-Layer Board)
Board Dimensions	76.2 mm × 114.3 mm × 0.8 mm
Copper Ratio	Outer Layer (First Layer): Less than 95% of 50 mm Square Inner Layers (Second and Third Layers): Approx. 100% of 50 mm Square Outer Layer (Fourth Layer): Approx. 100% of 50 mm Square
Through-holes	φ 0.3 mm × 13 pcs

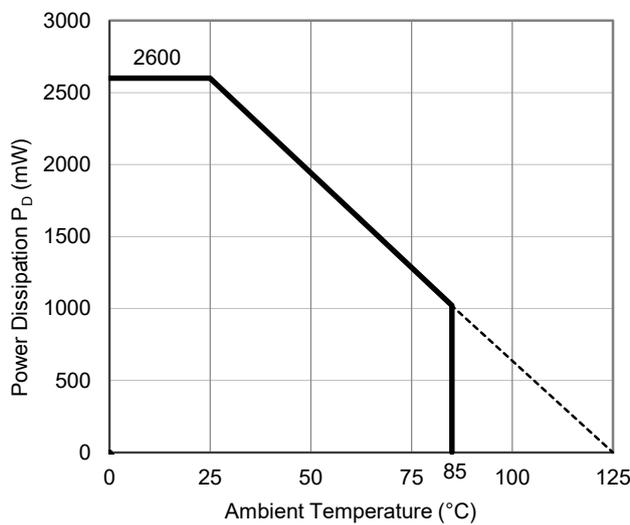
Measurement Result

(Ta = 25°C, Tjmax = 125°C)

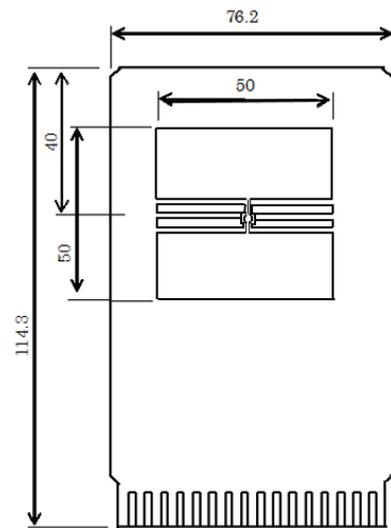
Item	Measurement Result
Power Dissipation	2600 mW
Thermal Resistance (θja)	θja = 38°C/W
Thermal Characterization Parameter (ψjt)	ψjt = 13°C/W

θja: Junction-to-Ambient Thermal Resistance

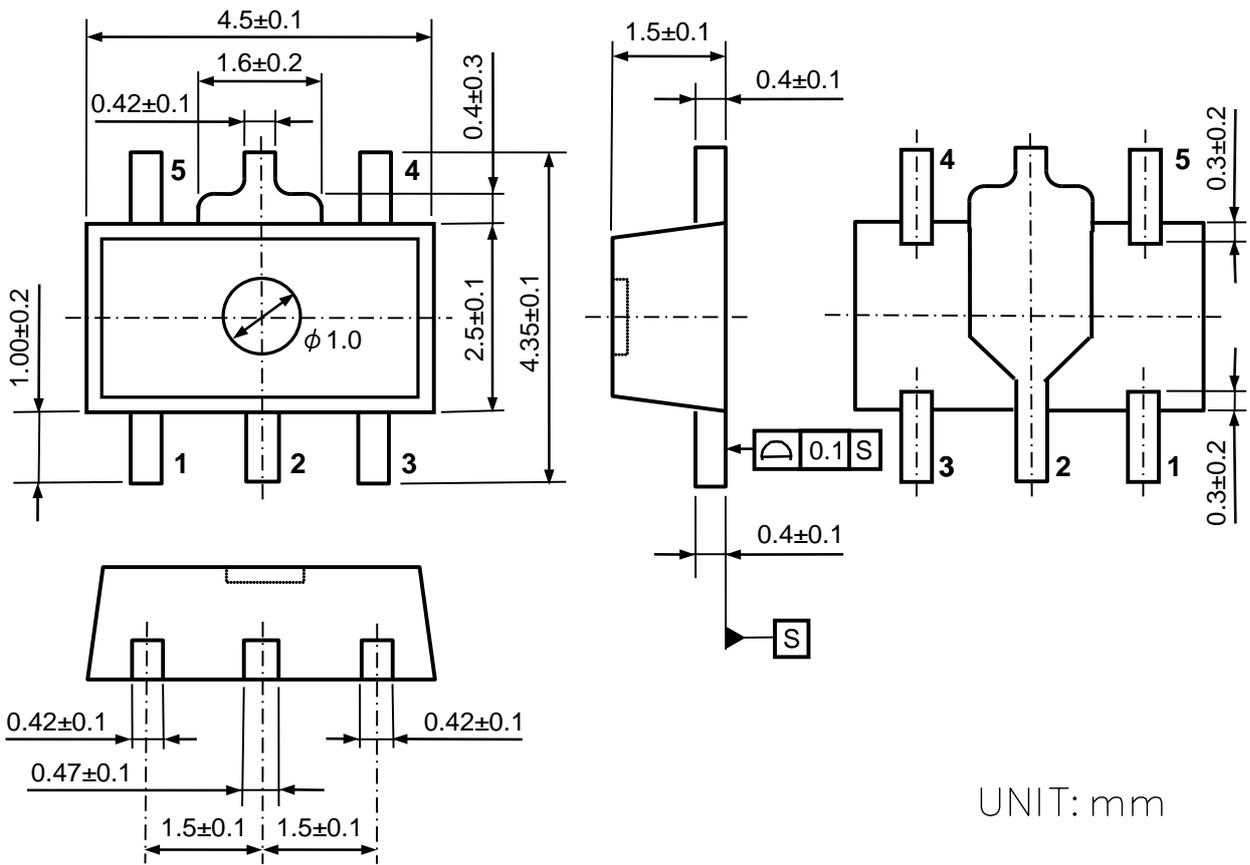
ψjt: Junction-to-Top Thermal Characterization Parameter



Power Dissipation vs. Ambient Temperature



Measurement Board Pattern



SOT-89-5 Package Dimensions



1. The products and the product specifications described in this document are subject to change or discontinuation of production without notice for reasons such as improvement. Therefore, before deciding to use the products, please refer to Ricoh sales representatives for the latest information thereon.
2. The materials in this document may not be copied or otherwise reproduced in whole or in part without prior written consent of Ricoh.
3. Please be sure to take any necessary formalities under relevant laws or regulations before exporting or otherwise taking out of your country the products or the technical information described herein.
4. The technical information described in this document shows typical characteristics of and example application circuits for the products. The release of such information is not to be construed as a warranty of or a grant of license under Ricoh's or any third party's intellectual property rights or any other rights.
5. The products listed in this document are intended and designed for use as general electronic components in standard applications (office equipment, telecommunication equipment, measuring instruments, consumer electronic products, amusement equipment etc.). Those customers intending to use a product in an application requiring extreme quality and reliability, for example, in a highly specific application where the failure or misoperation of the product could result in human injury or death (aircraft, spacevehicle, nuclear reactor control system, traffic control system, automotive and transportation equipment, combustion equipment, safety devices, life support system etc.) should first contact us.
6. We are making our continuous effort to improve the quality and reliability of our products, but semiconductor products are likely to fail with certain probability. In order to prevent any injury to persons or damages to property resulting from such failure, customers should be careful enough to incorporate safety measures in their design, such as redundancy feature, fire containment feature and fail-safe feature. We do not assume any liability or responsibility for any loss or damage arising from misuse or inappropriate use of the products.
7. Anti-radiation design is not implemented in the products described in this document.
8. The X-ray exposure can influence functions and characteristics of the products. Confirm the product functions and characteristics in the evaluation stage.
9. WLCSP products should be used in light shielded environments. The light exposure can influence functions and characteristics of the products under operation or storage.
10. There can be variation in the marking when different AOI (Automated Optical Inspection) equipment is used. In the case of recognizing the marking characteristic with AOI, please contact Ricoh sales or our distributor before attempting to use AOI.
11. Please contact Ricoh sales representatives should you have any questions or comments concerning the products or the technical information.



Ricoh is committed to reducing the environmental loading materials in electrical devices with a view to contributing to the protection of human health and the environment.

Ricoh has been providing RoHS compliant products since April 1, 2006 and Halogen-free products since April 1, 2012.

RICOH RICOH ELECTRONIC DEVICES CO., LTD.

<https://www.e-devices.ricoh.co.jp/en/>

Sales & Support Offices

Ricoh Electronic Devices Co., Ltd.

Shin-Yokohama Office (International Sales)

2-3, Shin-Yokohama 3-chome, Kohoku-ku, Yokohama-shi, Kanagawa, 222-8530, Japan
Phone: +81-50-3814-7687 Fax: +81-45-474-0074

Ricoh Americas Holdings, Inc.

675 Campbell Technology Parkway, Suite 200 Campbell, CA 95008, U.S.A.
Phone: +1-408-610-3105

Ricoh Europe (Netherlands) B.V.

Semiconductor Support Centre

Prof. W.H. Keesomlaan 1, 1183 DJ Amstelveen, The Netherlands
Phone: +31-20-5474-309

Ricoh International B.V. - German Branch

Semiconductor Sales and Support Centre

Oberrather Strasse 6, 40472 Düsseldorf, Germany
Phone: +49-211-6546-0

Ricoh Electronic Devices Korea Co., Ltd.

3F, Haesung Bldg, 504, Teheran-ro, Gangnam-gu, Seoul, 135-725, Korea
Phone: +82-2-2135-5700 Fax: +82-2-2051-5713

Ricoh Electronic Devices Shanghai Co., Ltd.

Room 403, No.2 Building, No.690 Bibo Road, Pu Dong New District, Shanghai 201203,
People's Republic of China
Phone: +86-21-5027-3200 Fax: +86-21-5027-3299

Ricoh Electronic Devices Shanghai Co., Ltd.

Shenzhen Branch

1205, Block D (Jinlong Building), Kingkey 100, Hongbao Road, Luohu District,
Shenzhen, China
Phone: +86-755-8348-7600 Ext 225

Ricoh Electronic Devices Co., Ltd.

Taipei office

Room 109, 10F-1, No.51, Hengyang Rd., Taipei City, Taiwan
Phone: +886-2-2313-1621/1622 Fax: +886-2-2313-1623

Mouser Electronics

Authorized Distributor

Click to View Pricing, Inventory, Delivery & Lifecycle Information:

[Ricoch Electronics:](#)

[RP512Z281D-TR-F](#) [RP512Z121D-TR-F](#) [RP512Z331C-TR-F](#) [RP512Z301C-TR-F](#) [RP512Z181C-TR-F](#)



Компания «ЭлектроПласт» предлагает заключение долгосрочных отношений при поставках импортных электронных компонентов на взаимовыгодных условиях!

Наши преимущества:

- Оперативные поставки широкого спектра электронных компонентов отечественного и импортного производства напрямую от производителей и с крупнейших мировых складов;
- Поставка более 17-ти миллионов наименований электронных компонентов;
- Поставка сложных, дефицитных, либо снятых с производства позиций;
- Оперативные сроки поставки под заказ (от 5 рабочих дней);
- Экспресс доставка в любую точку России;
- Техническая поддержка проекта, помощь в подборе аналогов, поставка прототипов;
- Система менеджмента качества сертифицирована по Международному стандарту ISO 9001;
- Лицензия ФСБ на осуществление работ с использованием сведений, составляющих государственную тайну;
- Поставка специализированных компонентов (Xilinx, Altera, Analog Devices, Intersil, Interpoint, Microsemi, Aeroflex, Peregrine, Syfer, Eurofarad, Texas Instrument, Miteq, Cobham, E2V, MA-COM, Hittite, Mini-Circuits, General Dynamics и др.);

Помимо этого, одним из направлений компании «ЭлектроПласт» является направление «Источники питания». Мы предлагаем Вам помощь Конструкторского отдела:

- Подбор оптимального решения, техническое обоснование при выборе компонента;
- Подбор аналогов;
- Консультации по применению компонента;
- Поставка образцов и прототипов;
- Техническая поддержка проекта;
- Защита от снятия компонента с производства.



Как с нами связаться

Телефон: 8 (812) 309 58 32 (многоканальный)

Факс: 8 (812) 320-02-42

Электронная почта: org@eplast1.ru

Адрес: 198099, г. Санкт-Петербург, ул. Калинина, дом 2, корпус 4, литера А.