

C-Series Circuit Breaker

The C-Series hydraulic/magnetic circuit breakers are ideal for applications that require higher amperage and voltage handling capability in a smaller package. They are available in 1-6 poles, 0.02-100amps, UL Recognized up to 480VAC or 150VDC, UL489 Listed up to 240VAC or 125VDC, with choice of time delays, terminal options, actuator styles and colors.

Product Highlights:

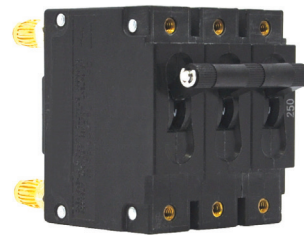
- ♦ The UL489 C-Series employs a unique arc chute design which allows for higher interrupting capacities of up to 10,000 amps. New thermoset glass filled polyester half shell construction provides for increased mechanical and electrical strength. The wiping contacts, mechanical linkage with two step actuation, clean contacts providing high, positive contact pressure and longer contact life
- ♦ Available with American Standard or Metric Threaded Stud terminals, or Saddle Clamp screw terminals. Optional mid-trip handle style actuator allows visual indication of electrical overload with or without alarm feature
- ♦ Available with new solid color rocker actuators and unique two-color Visi-rocker® actuators, which can be specified to indicate either the ON or TRIPPED/OFF mode
- ♦ Exclusive Rockerguard and Push-To-Reset bezel help prevent inadvertent actuation
- ♦ The metal toggle option was tested to MIL-PRF-55629C for ingress protection when mounted in a panel, and also meets IP68 requirement.



HANDLE ACTUATOR



METAL TOGGLE ACTUATOR



PARALLEL POLE ACTUATOR

Agency Certifications:

UL Recognized
UL Standard 1077 | UL Standard 508
UL Standard 1500
UL Listed
UL Standard 489 | UL Standard 489A
CSA Accepted | CSA Certified
TUV Certified | VDE Certified

* For full Agency Certifications, please see pg. 6



Carling Technologies™

Innovative Designs. Powerful Solutions.

Carling Technologies, Inc.
60 Johnson Avenue • Plainville, CT 06062
Phone: (860) 793-9281 • Fax: (860) 793-9231
Email: sales@carlingtech.com • www.carlingtech.com

Electrical Tables

Table A: Lists UL Recognized & CSA Accepted configurations and performance capabilities as a Component Supplementary Protector

| C-SERIES TABLE A: COMPONENT SUPPLEMENTARY PROTECTORS | | | | | | | | | | | | |
|--|-------------|-----------|------------|----------------|----------------------|-------------------------------|-------------------------------|---------------------|--------------------------|------------------------------------|--|-----------------|
| CIRCUIT CONFIGURATION | VOLTAGE | | | CURRENT RATING | | SHORT CIRCUIT CAPACITY (AMPS) | | APPLICATION CODES | | NOTES | | |
| | MAX. RATING | FREQUENCY | PHASE | FULL LOAD AMPS | GENERAL PURPOSE AMPS | UL/CSA | WITH BACKUP FUSE ¹ | WITHOUT BACKUP FUSE | UL | | CSA | |
| SERIES | 32 | DC | --- | 0.02 - 100 | --- | --- | --- | 5000 | TC1, OL1, U2 | TC1, OL1, U2 | | |
| | 48 | DC | --- | 110 - 150 | --- | --- | --- | 5000 | TC1, OL1, U2 | TC1, OL1, U2 | | |
| | 65 | DC | --- | 0.02 - 70 | --- | --- | --- | 5000 | TC1,2, OL1,U1 | TC1,2, OL1,U1 | | |
| | 80 | DC | --- | 0.02 - 70 | --- | --- | --- | 7500 | TC1,2, OL1,U1 | TC1,2, OL1,U1 | | |
| | | | | --- | 71 - 100 | --- | --- | 7500 | TC1,2, OL0,U1 | TC1,2, OL0,U1 | | |
| | 80 | DC | --- | 0.02 - 70 | --- | --- | --- | 10,000 | TC1,2, OL1,U1 | TC1,2, OL1,U1 | Must Have Agency Code "L" | |
| | | | | --- | 71 - 100 | --- | --- | 10,000 | TC1,2, OL0,U1 | TC1,2, OL0,U1 | Must Have Agency Code "L" | |
| | 125 | DC | --- | 0.02 - 50 | --- | --- | --- | 5000 | TC1,2,OL1,U1 | TC1,2,OL1,U1 | Must Have Agency Code "L" | |
| | 125 / 250 | DC | --- | 0.02 - 50 | --- | --- | --- | 5000 | TC1,2,OL1,U1 | TC1,2,OL1,U1 | Must Have Agency Code "L" | |
| | 250 | DC | --- | 0.02 - 50 | --- | --- | --- | 5000 | TC1,2,OL1,U1 | TC1,2,OL1,U1 | Must Have Agency Code "L". 2 Pole Break Required for 250 Volts | |
| | 125 | 50 / 60 | 1 | 0.02 - 100 | --- | --- | --- | 3000 | TC1, OL1, U2 | TC1, OL1, U2 | Per Pole Rating | |
| | | | | 0.02 - 100 | --- | --- | --- | 5000 | TC1,2,OL1,U1 | TC1,2,OL1,U1 | Must Have Agency Code "L" | |
| | 150 | DC | --- | --- | 80 - 100 | --- | --- | 5000 | TC1, OL0, U3 | --- | Must Have Agency Code "L" | |
| | 150 | DC | --- | --- | 101 - 175 | --- | --- | 5000 | TC1, OL0, U3 | --- | Must Have Agency Code "L" Parallel Pole | |
| | 125 / 250 | 50 / 60 | 1 | 0.02 - 100 | --- | --- | --- | 3500 | TC1, OL1, U2 | TC1, OL1, U2 | | |
| | | | | 0.02 - 50 | --- | --- | --- | 3000 | TC1,2,OL1,U1 | TC1,2,OL1,U1 | 2 or 3 poles breaking single phase | |
| | | | | 51 - 100 | --- | --- | --- | 1000 | TC1,2,OL1,U1 | TC1,2,OL1,U1 | 2 or 3 poles breaking single phase | |
| | | | | 0.02 - 100 | --- | --- | --- | 5000 | TC1,2,OL1,U2 | TC1,2,OL1,U2 | 2 or 3 poles breaking single phase, "L" Agency Code | |
| | | | | 0.02 - 50 | --- | --- | --- | 3500 | TC1, OL1, U2 | TC1, OL1, U2 | Per Pole Rating | |
| | | | | 0.02 - 100 | --- | --- | --- | 5000 | TC1,2,OL1,U1 | TC1,2,OL1,U1 | Must Have Agency Code "L" | |
| | 250 | 50 / 60 | 1 | 51 - 70 | --- | --- | --- | 5000 | TC1,2,OL1,C1 | TC1,2,OL1,C1 | | |
| | | | | --- | 0.02 - 100 | --- | --- | 3000 | TC1, OL0, U2 | TC1, OL0, U2 | | |
| | | | | --- | 0.02 - 90 | --- | --- | 5000 | TC1,2,OL1,C1 | TC1,2,OL1,C1 | 3 poles breaking 3 phase | |
| | 277 | 50 / 60 | 1 | 0.02 - 50 | --- | --- | --- | 5000 | TC1,2,OL1,C1 | TC1,2,OL1,C1 | Must Have Agency Code "L" | |
| | | | | --- | 0.02 - 30 | --- | --- | 5000 | TC1,2,OL1,C1 | TC1,2,OL1,C1 | | |
| | 480 / 277 | 50 / 60 | 3 | 0.02 - 50 | --- | --- | --- | 5000 | TC1,2,OL1,C1 | TC1,2,OL1,C1 | 3 poles breaking 3 phase | |
| | 480 | 50 / 60 | 1 | 0.02 - 30 | --- | --- | --- | 5000 | TC1,2,OL1,C1 | TC1,2,OL1,C1 | 2 poles breaking 1 phase | |
| | | | | --- | 31 - 50 | --- | --- | 5000 | TC1,2,OL0,C1 | TC1,2,OL0,C1 | | |
| | DUAL COIL | 80 | DC | --- | 0.02 - 50 | --- | --- | --- | 7500 | TC1,2, OL1,U1 | TC1,2, OL1,U1 | |
| | | | | | --- | 0.02 - 50 | --- | --- | 3000 | TC1, OL1, U2 | TC1, OL1, U2 | Per Pole Rating |
| 125 / 250 | | 50 / 60 | 1 | 0.02 - 50 | --- | --- | --- | 3500 | TC1, OL1, U2 | TC1, OL1, U2 | 2 or 3 poles breaking single phase | |
| | | | | --- | 0.02 - 50 | --- | --- | 3000 | TC1,2,OL1,U1 | TC1,2,OL1,U1 | 2 or 3 poles breaking single phase | |
| 250 | | 50 / 60 | 3 | 0.02 - 50 | --- | --- | --- | 3500 | TC1, OL1, U2 | TC1, OL1, U2 | | |
| | | | | --- | 0.02 - 50 | --- | --- | 3000 | TC1, OL0, U2 | TC1, OL0, U2 | Per Pole Rating | |
| 277 | 50 / 60 | 1 | 0.02 - 50 | --- | --- | --- | 5000 | TC1,2,OL1,C1 | TC1,2,OL1,C1 | 3 poles breaking 3 phase | | |
| SHUNT | 80 | DC | --- | 0.02 - 50 | --- | --- | --- | 7500 | TC1,2, OL1,U1 | TC1,2, OL1,U1 | | |
| | | | | --- | 0.02 - 50 | --- | --- | 5000 | TC1,2,OL1,C1 | TC1,2,OL1,C1 | | |
| | 277 | 50 / 60 | 1 | 0.02 - 50 | --- | --- | --- | 5000 | TC1,2,OL1,C1 | TC1,2,OL1,C1 | 3 poles breaking 3 phase | |
| | | | | --- | 0.02 - 50 | --- | --- | 5000 | TC1,2,OL1,C1 | TC1,2,OL1,C1 | 3 poles breaking 3 phase | |
| 480 | 50 / 60 | 3 | 0.02 - 30 | --- | --- | --- | 5000 | TC1,2,OL1,C1 | TC1,2,OL1,C1 | 2 poles breaking 1 phase | | |
| | | | --- | 31 - 50 | --- | --- | 5000 | TC1,2,OL0,C1 | TC1,2,OL0,C1 | | | |
| 480 | 50 / 60 | 1 | 0.02 - 30 | --- | --- | --- | 5000 | TC1,2,OL1,C1 | TC1,2,OL1,C1 | | | |
| RELAY | 80 | DC | --- | 0.02 - 50 | --- | --- | --- | 7500 | TC1,2, OL1,U1 | TC1,2, OL1,U1 | | |
| | | | | --- | 0.02 - 50 | --- | --- | 5000 | TC1,2,OL1,C1 | TC1,2,OL1,C1 | | |
| | 250 | 50 / 60 | 3 | 0.02 - 50 | --- | --- | --- | 5000 | TC1,2,OL1,C1 | TC1,2,OL1,C1 | 3 poles breaking 3 phase | |
| SWITCH ONLY | 65 | DC | --- | 0.02 - 70 | --- | --- | --- | --- | --- | --- | | |
| | | | | --- | 71 - 100 | --- | --- | --- | --- | --- | | |
| | 80 | DC | --- | 0.02 - 70 | --- | --- | --- | --- | --- | --- | | |
| | | | | --- | 71 - 100 | --- | --- | --- | --- | --- | | |
| | 125 | 50 / 60 | 1 | 0.02 - 100 | --- | --- | --- | --- | --- | | | |
| | 125 / 250 | 50 / 60 | 1 | 0.02 - 100 | --- | --- | --- | --- | --- | 2 or 3 poles breaking single phase | | |
| 250 | 50 / 60 | 3 | 0.02 - 100 | --- | --- | --- | --- | --- | --- | | | |
| | | | 0.02 - 70 | --- | --- | --- | --- | --- | --- | | | |
| 277 | 50 / 60 | 1 | 0.02 - 50 | --- | --- | --- | --- | --- | | | | |
| 480 / 277 | 50 / 60 | 3 | 0.02 - 30 | --- | --- | --- | --- | --- | 3 poles breaking 3 phase | | | |

Notes for Table A:

- ¹ Requires branch circuit backup with a UL LISTED Type K5 or RK5 fuse rated 15A minimum and no more than 4 times full load amps not to exceed 125A for 50 Amp or less rating and not to exceed 175 for 51 through 100 Amp rating

*Manufacturer reserves the right to change product specification without prior notice.

Electrical Tables

Table B: Lists UL Recognized and CSA Accepted configurations and performance capabilities as a Manual Motor Controller.

| C-SERIES TABLE B: MANUAL MOTOR CONTROLLERS | | | | | |
|--|------------------|-----------|-----------|----------------|--------------------|
| CIRCUIT CONFIGURATION | VOLTAGE | | | CURRENT RATING | HORSEPOWER RATINGS |
| | MAX. RATING | FREQUENCY | PHASE | FULL LOAD AMPS | MAX HP |
| SERIES, SHUNT & RELAY SWITCH ONLY | 120 ¹ | 50 / 60 | 1 | 0.02 - 50 | 7 1/2 |
| | 250 ¹ | 50 / 60 | 1 | 0.02 - 20 | 3 |
| | | | 3 | 0.02 - 20 | 5 |
| | 277 ¹ | 50 / 60 | 1 | 0.02 - 20 | 3 |
| 480 ² | 50 / 60 | 3 | 0.02 - 20 | 5 | |

Notes for Table B:

1 UL recognized and CSA Accepted at 480V refers to 3 & 4 pole versions used in a 3Ø, wye connected circuit or 2-pole version connected with 2 poles breaking. 1Ø and backed up with series fusing as stated above in note 1.

*Series, Shunt and Relay Trip - Voltage Coil Construction not current coils

Table C: Lists UL Recognized, CSA Accepted, VDE and TUV Certified configurations and performance capabilities as a Component Supplementary Protector.

| C-SERIES TABLE C: COMPONENT SUPPLEMENTARY PROTECTORS | | | | | | | | | | | | | | |
|--|-------------|-----------|-----------|----------------|-----------------------------------|-------------------------------|---------------------|------------------------|---------------------------|------------------------|---------------------------|-------------------|---------------|------------------------------|
| CIRCUIT CONFIGURATION | VOLTAGE | | | CURRENT RATING | | SHORT CIRCUIT CAPACITY (AMPS) | | | | | | APPLICATION CODES | | CONSTRUCTION NOTES |
| | MAX. RATING | FREQUENCY | PHASE | FULL LOAD AMPS | GENERAL PURPOSE AMPS ¹ | UL/CSA | | VDE | | TUV | | UL | CSA | |
| | | | | | | WITH BACKUP FUSE | WITHOUT BACKUP FUSE | (Inc) WITH BACKUP FUSE | (Inc) WITHOUT BACKUP FUSE | (Inc) WITH BACKUP FUSE | (Inc) WITHOUT BACKUP FUSE | | | |
| SERIES | 80 | DC | --- | 0.10 - 70 | --- | --- | 7500 | --- | 5000 | 5000 | 1500 | TC1,2, OL1,U1 | TC1,2, OL1,U1 | |
| | | | --- | 71 - 100 | 71 - 100 | --- | 10,000 | --- | 5000 | --- | 5000 | 5000 | TC1,2, OL0,U1 | TC1,2, OL0,U1 |
| | 125 | DC | --- | 1 - 50 | --- | --- | 5000 | --- | --- | --- | 5000 | TC1,2, OL1,U1 | TC1,2, OL1,U1 | Agency Code J or R Only |
| | | | --- | 0.10 - 50 | --- | --- | 5000 | --- | --- | --- | 5000 | 5000 | TC1,2, OL1,U1 | TC1,2, OL1,U1 |
| | 250 | 50 / 60 | 1 | 0.10 - 70 | --- | --- | 5000 | 3000 | 1500 | 3000 | 1500 | TC1,2, OL1,U1 | TC1,2, OL1,U1 | |
| | | | | 0.10 - 100 | --- | --- | 5000 | --- | --- | 5000 | 5000 | TC1,2, OL1,U1 | TC1,2, OL1,U1 | Agency Code J or R Only |
| | | | 3 | 0.10 - 90 | --- | --- | 5000 | --- | --- | 5000 | 5000 | TC1,2, OL1,U1 | TC1,2, OL1,U1 | Agency Code J or R Only |
| 415 | 50 / 60 | 3 | 0.10 - 30 | --- | --- | 5000 | --- | 3000 | 1500 | 3000 | 1500 | TC1,2, OL1,C1 | TC1,2, OL1,C1 | Rocker |
| DUAL COIL | 80 | DC | --- | 0.10 - 30 | --- | --- | 7500 | --- | 1500 | 5000 | 1500 | TC1,2, OL1,U1 | TC1,2, OL1,U1 | |
| | 250 | 50 / 60 | 1 & 3 | 0.10 - 30 | --- | --- | 5000 | 3000 | 1500 | 3000 | 1500 | TC1,2, OL1,U1 | TC1,2, OL1,U1 | |
| SHUNT | 80 | DC | --- | 0.10 - 70 | --- | --- | 7500 | --- | 5000 | 5000 | 1500 | TC1,2, OL1,U1 | TC1,2, OL1,U1 | |
| | 250 | 50 / 60 | 1 & 3 | 0.10 - 70 | --- | --- | 5000 | 3000 | 1500 | 3000 | 1500 | TC1,2, OL1,U1 | TC1,2, OL1,U1 | |
| | 415 | 50 / 60 | 3 | 0.10 - 30 | --- | --- | 5000 | --- | 3000 | 1500 | 3000 | 1500 | TC1,2, OL1,C1 | TC1,2, OL1,C1 |
| | | | | | | 5000 | --- | 5000 | 2500 | 3000 | 1500 | TC1,2, OL1,C1 | TC1,2, OL1,C1 | Handle/ Agency F, H, J, or R |

Notes for Table C:

1 General Purpose ratings for UL/CSA only.

2 Requires branch circuit backup with a UL LISTED Type K5 or RK5 fuse rated 15A minimum and no more than 4 times full load amps not to exceed 125A for 50 Amp or less rating and not to exceed 175 for 51 through 100 Amp rating.

Electrical Tables

Table D: Lists UL Listed (489), CSA Certified (C22.2 No. 5.1-M) configuration and performance capabilities as a Molded Case Circuit Breaker.

| C SERIES TABLE D : UL489 LISTED BRANCH CIRCUIT BREAKERS | | | | | | |
|---|-------------|-----------|-----------|----------------|------------------------------|--|
| CIRCUIT CONFIGURATION | VOLTAGE | | | CURRENT RATING | INTERRUPTING CAPACITY (AMPS) | CONSTRUCTION NOTES |
| | MAX. RATING | FREQUENCY | PHASE | FULL LOAD AMPS | WITHOUT BACKUP FUSE | |
| SERIES | 80 | DC | --- | 0.10 - 100 | 50,000 ¹ | Limited to 2 Poles Max from 71 - 100 Amps. |
| | | | | | 10,000 | Limited to 2 Poles Max from 71 - 100 Amps. |
| | 125 | DC | --- | 0.10 - 100 | 5,000 | 1 - 3 Poles |
| | 125 / 250 | DC | --- | 0.10 - 50 | 5,000 | 1 or 2 Poles (2 Poles Required for 250 Volts) |
| | 120 | 50 / 60 | 1 | 0.10 - 50 | 10,000 | 1 - 3 Poles |
| | | | | 51 - 70 | 5,000 | 1 - 3 Poles |
| | 120 / 240 | 50 / 60 | 1 | 0.10 - 50 | 5,000 | 2 or 3 Poles. 1 Pole of a 3 Pole Unit is Neutral |
| | | | | 0.10 - 50 | 10000 ¹ | 2 or 3 Poles. 1 Pole of a 3 Pole Unit is Neutral |
| | 240 | 50 / 60 | 1 | 0.10 - 30 | 5,000 | 1Pole |
| 240 | 50 / 60 | 1 | 0.10 - 20 | 5,000 | 2 Pole | |
| 277 | 50 / 60 | 1 | 0.10 - 20 | 10,000 | 1Pole | |
| DUAL COIL | 120 | 50 / 60 | 1 | 0.10 - 30 | 10,000 | --- |

Notes from Table D:

1 Special catalog number required. Consult factory.

Table E: Lists UL Recognized, CSA Accepted configurations and performance capabilities as Protectors, Supplementary for Marine Electrical and Fuel Systems (Guide PEQZ2, File E75596). Ignition Protected per UL 1500. UL Classified Small Craft Electrical Devices, Marine in accordance with ISO 8846 (Guide UZMK, File MQ1515) as Marine Supplementary Protectors.

| C-SERIES TABLE E: UL1500 (Marine Ignition Protected) | | | | | | | | |
|--|-------------|-----------|-------|----------------|------------------------------|-------------------|--------------|----------------------------------|
| CIRCUIT CONFIGURATION | VOLTAGE | | | CURRENT RATING | INTERRUPTING CAPACITY (AMPS) | APPLICATION CODES | | CONSTRUCTION NOTES |
| | MAX. RATING | FREQUENCY | PHASE | FULL LOAD AMPS | WITHOUT BACKUP FUSE | UL | CSA | |
| SERIES | 48 | DC | --- | 0.02 - 100 | 5000 | TC1,2,OL1,U1 | TC1,2,OL1,U1 | --- |
| | | | | 101 - 150 | 5000 | TC1,2,OL1,U1 | TC1,2,OL1,U1 | --- |
| | 65 | DC | --- | 0.02 - 100 | 1500 | TC1,2,OL0,U1 | TC1,2,OL0,U1 | --- |
| | 80 | DC | --- | 0.02 - 70 | 1500 | TC1,2,OL1,U1 | TC1,2,OL1,U1 | --- |
| | 125 | 50 / 60 | 1 | 0.02 - 70 | 5000 | TC1,2,OL1,U1 | TC1,2,OL1,U1 | --- |
| | | | | 71 - 100 | 1500 | TC1,2,OL1,U1 | TC1,2,OL1,U1 | --- |
| | 250 | 50 / 60 | 1 | 0.02 - 70 | 1500 | TC1,2,OL1,U1 | TC1,2,OL1,U1 | --- |
| | | | | 71 - 100 | 1500 | TC1,2,OL1,U1 | TC1,2,OL1,U1 | 2 Poles Breaking Single Phase |

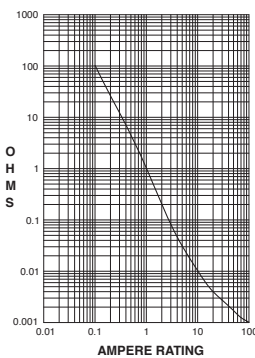
Table F: Lists UL Listed configurations and performance capabilities as Circuit Breakers for use in Communications Equipment (Guide DITT, File E189195), under UL489A.

| C-SERIES TABLE F : PARALLEL POLE CONSTRUCTION UL489A LISTED FOR COMMUNICATIONS EQUIPMENT | | | | |
|---|-------------|-----------|----------------------|------------------------------|
| CIRCUIT CONFIGURATION | VOLTAGE | | CURRENT RATING | INTERRUPTING CAPACITY (AMPS) |
| | MAX. RATING | FREQUENCY | GENERAL PURPOSE AMPS | WITHOUT BACKUP FUSE |
| SERIES | 80 | DC | 110 - 250 | 10,000 |

Electrical

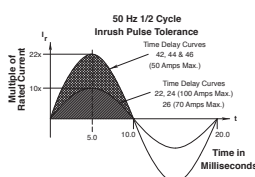
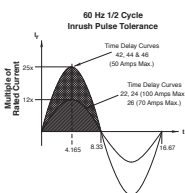
| | |
|-------------------------|---|
| Maximum Voltage | AC, 480 WYE/277 VAC, 50/60 Hz (see Table A.) UL489: AC,240 VAC. (See Table D), 50/60 Hz, 125 VDC |
| Current Rating | Standard current coils: 0.100, 0.250, 0.500, 0.750, 1.00, 2.50, 5.00, 7.50, 10.0, 15.0, 25.0, 30.0, 35.0, 40.0, 50.0, 60.0, 70.0, 80.0, 90.0 and 100 amps. Other ratings available, see Ordering Scheme. |
| Standard Voltage Coils | DC - 6V, 12V; AC - 120V; other ratings available, see Ordering Scheme. |
| Auxiliary Switch Rating | SPDT; 10.1 amps-250VAC, DC Aux. Switch 1.0A, 65 VDC. 0.5A, 80VDC, 1/4 HP, 125VAC, VDE & TUV 1.0 125 VAC. |
| Insulation Resistance | Minimum of 100 Megohms at 500 VDC. |
| Dielectric Strength | UL, CSA: 1960 V 50/60 Hz for one minute between all electrically isolated terminals. C-Series Circuit Breakers comply with the 8mm spacing and 3750V 50/60 Hz dielectric requirements from hazardous voltage to operator accessible surfaces, between adjacent poles and from main circuits to auxiliary circuits per Publications EN 60950 and VDE 0805. |
| Resistance, Impedance | Values from Line to Load Terminal - based on Series Trip Circuit Breaker. |

RESISTANCE, IMPEDANCE VALUES from Line to Load Terminals (Values Based on Series Trip Circuit Breaker)



| CURRENT (AMPS) | TOLERANCE (%) |
|----------------|---------------|
| 0.10 - 5.0 | 15% |
| 5.1 - 20.0 | 25% |
| 20.1 - 100.0 | 35% |

Pulse Tolerance Curves



Mechanical

| | |
|-----------------|--|
| Endurance | 10,000 ON-OFF operations @ 6 per minute; with rated current & voltage. |
| Trip Free | All C-Series circuit breakers will trip on overload, even when actuator is forcibly held in the ON position. |
| Trip Indication | The operating actuator moves positively to the OFF position when an overload causes the breaker to trip. With mid-trip, handle moves to the mid position on electrical trip of the circuit breaker. With mid trip handle with alarm switch, handle moves to the mid position and the alarm switch actuates when the circuit breaker is electrically tripped. |

Physical


| | |
|--------------------------|--|
| Number of Poles | 1-6 poles ≤ 50A; 1-4 poles @ 51-70A; 1-2 poles 71-100A. UL489 Handle: 1 pole ≤ 100A, 2 pole ≤ 50A; Rocker: 1 pole ≤ 100A. |
| Internal Circuit Config. | Series (with or without auxiliary switch, mid trip & mid trip with alarm switch) Shunt & Relay with current or voltage trip coils, Dual Coil, Switch Only (with or without aux. switch). UL489: Series (with or without auxiliary switch, mid-trip & midtrip with alarm switch). |
| Weight | Approx. 112 grams/pole (3.95 oz). |
| Standard Colors | Housing: Black |


Environmental


| | |
|--|--|
| Designed and tested in accordance with requirements of specification MIL-PRF-55629 & MIL-STD-202 as follows: | |
| Shock | Withstands 100 Gs, 6ms sawtooth while carrying rated current per Method 213, Test Condition "I". Instantaneous and ultrashort curves tested @ 90% of rated current. |
| Vibration | Withstands 0.060" excursion from 10-55 Hz & 10 Gs 55-500 Hz, @ rated current per Method 204C, Test Cond. A. Instantaneous & ultrashort curves tested @ 90% of rated current. |
| Moisture Resistance | Method 106D, i.e., ten 24-hour cycles @ +25°C to +65°C, 80-98% RH. |
| Salt Spray | Method 101, Condition A (90-95% RH @ 5% NaCl Solution, 96 hrs). |
| Thermal Shock | Method 107D, Condition A (five cycles @ -55°C to +25°C to +85°C to +25°C). |
| Operating Temperature | -40°C to +85°C |

Agency Certifications:


UL Recognized


UL Standard 1077 Component Recognition Program
as Protectors, Supplementary
 (Guide CCN/QVNU2, File E75596)


UL Standard 508 Motor Controllers, Manual
 (Guide CCN/NLRV2, File E135367)


UL Standard 1500 Protectors, Supplementary for
Marine Electrical & Fuel Systems
 (Guide PEQZ2, File E75596)
Ignition Protection


UL Listed


UL Standard 489 Circuit Breakers, Molded Case,
 (Guide DIVQ, File E129899)

UL Standard 489A Communications Equipment
 (Guide CCN/DITT, File E189195)

CSA Accepted Component Supplementary Protector
 under Class 3215 30,
File 047848 0 000
CSA Standard C22.2 No. 235

CSA Certified Circuit Breaker Model Case
 (Class 1432 01, File 093910),
CSA Standard C22.2 No. 5.1 - M

TUV Certified EN60934, under License No.
 R72041016

VDE Certified EN60934, VDE 0642 under File No.
 10537

C A 3 - B 0 - 10 - 450 - 1 2 1 - C

1 Series 2 Actuator 3 Poles 4 Circuit 5 Aux/Alarm Switch 6 Frequency & Delay 7 Current Rating 8 Terminal 9 Actuator Color 10 Mounting Bezel/Barrier 11 Agency Approval

1 SERIES
C

2 ACTUATOR¹

- A** Handle, one per pole
- B** Handle, one per multipole unit
- S** Mid-Trip Handle, one per pole
- T** Mid-Trip, one per pole & Alarm Switch

3 POLES²

- | | | |
|--------------|----------------|---------------|
| 1 One | 3 Three | 5 Five |
| 2 Two | 4 Four | 6 Six |

4 CIRCUIT³

- A³** Switch Only (no coil)
- B** Series Trip (current)
- C** Series Trip (voltage)
- D⁴** Shunt Trip (current)
- E⁴** Shunt Trip (voltage)
- F⁴** Relay Trip (current)
- G⁴** Relay Trip (voltage)
- H^{4,5}** Dual Coil with Shunt Trip Voltage Coil
- K^{4,5}** Dual Coil with Relay Trip Voltage Coil

5 AUXILIARY/ALARM SWITCH

- | | |
|---|-------------------------------------|
| 0 without Aux Switch | 6 S.P.S.T., 0.139 Solder Lug |
| 2 S.P.D.T., 0.110 Q.C. Term. | 8 S.P.S.T., 0.187 Q.C. Term. |
| 3 S.P.D.T., 0.139 Solder Lug | 9 S.P.D.T., 0.187 Q.C. Term. |
| 4 S.P.D.T., 0.110 Q.C. Term. (Gold Contacts) | |

6 FREQUENCY & DELAY

- | | |
|---|---|
| 03³ DC 50/60Hz, Switch Only | 30 DC 50/60Hz Instantaneous |
| 10⁷ DC Instantaneous | 31 DC 50/60Hz Ultra Short |
| 11 DC Ultra Short | 32 DC 50/60Hz Short |
| 12 DC Short | 34 DC 50/60Hz Medium |
| 14 DC Medium | 36 DC 50/60Hz Long |
| 16 DC Long | 42⁸ 50/60Hz Short, Hi-Inrush |
| 20⁷ 50/60Hz Instantaneous | 44⁸ 50/60Hz Medium, Hi-Inrush |
| 21 50/60Hz Ultra Short | 46⁸ 50/60Hz Long, Hi-Inrush |
| 22 50/60Hz Short | 52⁸ DC Short, Hi-Inrush |
| 24 50/60Hz Medium | 54⁸ DC Medium, Hi-Inrush |
| 26 50/60Hz Long | 56 DC Long, Hi-Inrush |

7 CURRENT RATING (AMPERES)

| CODE | AMPERES | | | | |
|------|---------|-----|-------|-----|--------|
| 020 | 0.020 | 235 | 0.350 | 430 | 3.000 |
| 025 | 0.025 | 240 | 0.400 | 435 | 3.500 |
| 030 | 0.030 | 245 | 0.450 | 440 | 4.000 |
| 035 | 0.035 | 250 | 0.500 | 445 | 4.500 |
| 040 | 0.040 | 255 | 0.550 | 450 | 5.000 |
| 045 | 0.045 | 260 | 0.600 | 455 | 5.500 |
| 050 | 0.050 | 265 | 0.650 | 460 | 6.000 |
| 055 | 0.055 | 270 | 0.700 | 465 | 6.500 |
| 060 | 0.060 | 275 | 0.750 | 470 | 7.000 |
| 065 | 0.065 | 280 | 0.800 | 475 | 7.500 |
| 070 | 0.070 | 285 | 0.850 | 480 | 8.000 |
| 075 | 0.075 | 290 | 0.900 | 485 | 8.500 |
| 080 | 0.080 | 295 | 0.950 | 490 | 9.000 |
| 085 | 0.085 | 410 | 1.000 | 495 | 9.500 |
| 090 | 0.090 | 512 | 1.250 | 610 | 10.000 |
| 095 | 0.095 | 415 | 1.500 | 710 | 10.500 |
| 210 | 0.100 | 517 | 1.750 | 611 | 11.000 |
| 215 | 0.150 | 420 | 2.000 | 711 | 11.500 |
| 220 | 0.200 | 522 | 2.250 | 612 | 12.000 |
| 225 | 0.250 | 425 | 2.500 | 712 | 12.500 |
| 230 | 0.300 | 527 | 2.750 | 613 | 13.000 |

VOLTAGE COIL (NOMINAL RATED VOLTAGE)⁷

| CODE | RATING | | | | |
|------------|--------|------------|------|------------|-------|
| A06 | 6DC | A32 | 32DC | J12 | 12AC |
| A12 | 12DC | A48 | 48DC | J18 | 18AC |
| A18 | 18DC | A65 | 65DC | J24 | 24AC |
| A24 | 24DC | J06 | 6AC | J48 | 48AC |
| | | | | J65 | 65AC |
| | | | | K20 | 120AC |
| | | | | L40 | 240AC |

8 TERMINAL¹⁵

- | | |
|--------------------------------------|---|
| 1¹⁰ Stud 10-32 | 6¹² Stud M6 |
| 2¹¹ Screw 10-32 | 7^{13,15} 0.250 Double Click Connect |
| 3¹² Stud 1/4-20 | 9¹⁵ 7/16" Clip Terminal |
| 4¹¹ Stud M5 x 0.8 | A¹⁴ Plug-In Stud |
| 5¹¹ Screw M5 x 0.8 | C^{11,15} 5/16" Clip Terminal |

9 ACTUATOR COLOR & LEGEND¹⁶

| Actuator Color | I-O | ON-OFF | Dual | Legend Color |
|------------------------------------|----------|----------|----------|--------------|
| White | A | B | 1 | Black |
| Black | C | D | 2 | White |
| Red | F | G | 3 | White |
| Green | H | J | 4 | White |
| Blue | K | L | 5 | White |
| Yellow | M | N | 6 | Black |
| Gray | P | Q | 7 | Black |
| Orange | R | S | 8 | Black |
| Black (short handle) ¹⁷ | T | U | 9 | White |

10 MOUNTING/BARRIERS

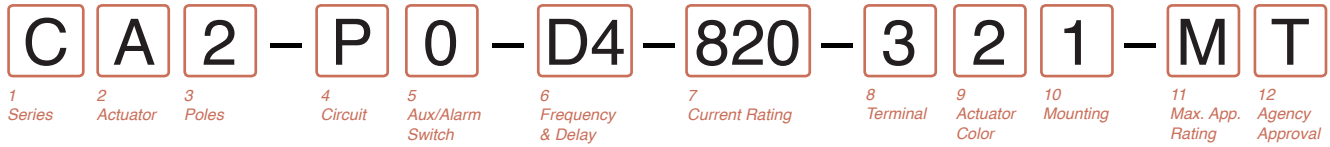
| MOUNTING STYLE | BARRIERS | VOLTAGE |
|---|----------|---------|
| Threaded Insert | | |
| 1 6-32 x 0.195 inches | no | < 300 |
| A 6-32 X 0.195 inches | yes | < 300 |
| C¹⁸ 6-32 X 0.195 inches | yes | ≥ 300 |
| 2 ISO M3 x 5mm | no | < 300 |
| B ISO M3 x 5mm | yes | < 300 |
| D¹⁸ ISO M3 x 5mm | yes | ≥ 300 |
| Front panel Snap-In, 1.00" [25.4mm] wide bezel | | |
| E¹⁷ with Handleguard | no | < 300 |

11 AGENCY APPROVAL

- C** UL Recognized, CSA Accepted
- D** VDE Certified, UL Recognized, CSA Accepted
- E** TUV Certified, UL Recognized, CSA Accepted
- H** UL489 Construction: VDE Certified, UL Recognized, CSA Accepted
- I** UL Rec. STD 1077, UL Rec. 1500 (ignition protected), CSA Accepted
- L** UL489 Construction: UL Recognized, CSA Accepted
- R** UL489 Construction: TUV Certified, UL Recognized, CSA Accepted

Notes:

- 1 Actuator Code:
A: Handle tie pin spacer(s) and retainers provided assembled with multi-pole units.
B: Handle location as viewed from front of breaker:
2 pole - left pole 3 pole - center pole 4 pole - two handles at center poles
5 pole - three handles at center poles 6 pole - four handles at center poles
S: Handle moves to mid-position only upon electrical trip of the breaker. Available with circuit codes B, C, D, E, F, G, H and K.
T: Handle moves to mid-position and alarm switch activates only upon electrical trip of the breaker. Available with circuit codes B & C.
- 2 Standard multipole units have all poles identical except when specifying auxiliary switch and/or mixed poles. 4 pole max w/VDE. 5th pole available as Series Trip w/ Voltage Coil only.
- 3 Switch Only circuits, rated up to 50 amps and 6 poles, and only available with VDE Certification when tied to a protected pole (Circuit Code B, C, D or H). For .02 to 30 amps, select Current Code 630. For 35 - 50 amps, select Current Code 650. For 55-70 amps, select Current Code 670. For 75-100 amps, select Current Code 810. Circuit Codes D,E,F,G,H & K available with Terminal Codes 1,2,4 & 5 only. Circuit Codes D, F, H & K available up to 50 amps maximum Current Rating. Consult factory for available Dual Coil options, as special catalog number is required. Dual Coil Voltage Coils with Shunt Trip Construction trip instantaneously on line voltage. Dual Coil Voltage Coils require 30VA minimum power to trip instantaneously and are rated for intermittent duty only.
- 4 Auxiliary Switch available with Series Trip and Switch Only circuits. On multi-pole breakers, one aux. switch is supplied, mounted in the extreme right pole.
- 5 Voltage coils not rated for continuous duty. Available only with delay codes 10 & 20.
- 6 Available with Circuit Codes B & D only, and up to 50 amps maximum.
- 7 Current Ratings 60 - 70 are available up to four poles maximum. Ratings 71 - 100 are available up to two poles maximum.
- 8 Terminal Code 1 available to 60 amps maximum.
- 9 Terminal Codes 2, 4, 5 and C available to 50 amps maximum.
- 10 Terminal Codes 3, 6 & 9 available to 100 amps maximum.
- 11 Terminal Code 7 available to 25 amps maximum.
- 12 Terminal Code A available to 100 amps maximum.
- 13 Terminal Codes 7, 9 & C are not VDE approved.
- 14 No marking available. Consult factory. VDE/TUV Approval requires dual (I-O, ON-OFF) or I-O markings on all handles.
- 15 Single pole only.
- 16 VDE/TUV: 30 amps max.; UL/CSA: 50 amps max.; Available in 2 - 4 poles only and limited to AC Delays. "General Purpose amps" not rated for "full load amps" or to be used in applications with a motor.



1 SERIES
C

2 ACTUATOR¹

- A** Handle, one per pole
- S** Mid-Trip Handle, one per pole
- T** Mid-Trip, one per pole & Alarm Switch

3 POLES⁴

- 1** One
- 2** Two
- 3** Three

4 CIRCUIT⁵

- B** Series Trip
- P** Series Trip (parallel pole)

5 AUXILIARY/ALARM SWITCH

- 0** without Aux Switch
- 2** S.P.D.T., 0.110 Q.C. Term.
- 3** S.P.D.T., 0.139 Solder Lug
- 4** S.P.D.T., 0.110 Q.C. Term. (Gold Contacts)
- 6** S.P.S.T., 0.139 Solder Lug
- 8** S.P.S.T., 0.187 Q.C. Term.
- 9** S.P.D.T., 0.187 Q.C. Term.

6 FREQUENCY & DELAY⁷

- D1** DC Ultra Short
- D2** DC Short
- D4** DC Medium
- D6** DC Long
- 11** DC Ultra Short
- 12** DC Short
- 14** DC Medium
- 16** DC Long

7 CURRENT RATING (AMPERES)

| CODE | AMPERES | | | | |
|------------|---------|------------|--------|------------------------|--------|
| 810 | 100.00 | 813 | 130.00 | 817 | 170.00 |
| 811 | 110.00 | 814 | 140.00 | 917 | 175.00 |
| 812 | 120.00 | 815 | 150.00 | 818 | 180.00 |
| 912 | 125.00 | 816 | 160.00 | 819 | 190.00 |
| | | | | 820 | 200.00 |
| | | | | 922⁴ | 225.00 |
| | | | | 825⁴ | 250.00 |

8 TERMINAL⁸

- 3** Stud 1/4-20
- 6** Stud M6
- A** Plug-In Stud

9 ACTUATOR COLOR²

| | LEGEND ON-OFF | Dual | Legend Color |
|--------|------------------|----------|--------------|
| White | B | 1 | Black |
| Black | D | 2 | White |
| Red | G | 3 | White |
| Green | J | 4 | White |
| Blue | L | 5 | White |
| Yellow | N | 6 | Black |
| Gray | Q | 7 | Black |
| Orange | S | 8 | Black |

10 MOUNTING

- 1** 6-32 x 0.195 inches
Threaded Insert
- 2** ISO M3 x 5mm

11 MAXIMUM APPLICATION RATING

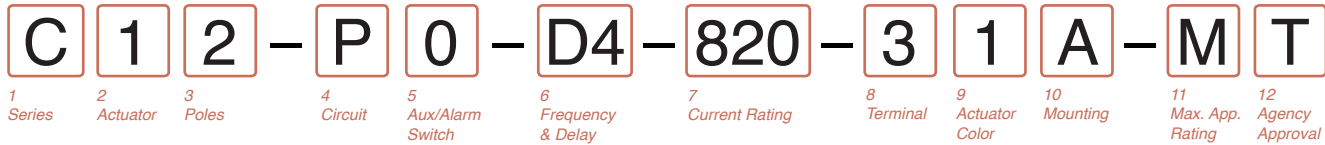
- M** 80 DC

12 AGENCY APPROVAL⁹

- A** Without Approval
- J** UL489A Listed, TUV Certified
- T** UL489A Listed
- K** UL489A Listed, VDE Certified (up to 200 amps)
- 7** UL489A Listed, TUV Certified (up to 250 amps)

Notes:

- 1 Handle moves to Mid-Position only upon electrical trip of C/B when Actuator S is specified. When Actuator Code T is specified, handle moves to Mid Position and Alarm Switch actuates only upon electrical trip of C/B.
- 2 Standard Handle colors are White, Black, Red & Yellow.
- 3 Breakers with Terminal Codes 3 & 6 are supplied with bus bars connecting the Line and Load Terminals. For Terminal Code A, Line and Load Terminals must be connected to a copper bus bar having a minimum cross-section of 0.078 square inches. Terminal code A not available on the single pole unit.
- 4 Rating for 101 to 125 amps are available in 1 pole size. Ratings from 110 to 200 amps are available in 2-pole size. For ratings from 225-250 amps, specify 3-pole size.
- 5 Circuit code B only available with 1 pole.
- 6 1 pole only available with terminal codes 3 and 6.
- 7 Delays 11, 12, 14, and 16 are only available with 1 pole.
- 8 Agency code K and 7 not available with 1 pole.
- 9 Agency code J only available with 1 pole.



1 SERIES
C

- 2 ACTUATOR**
- C Curved Rocker, Two Color Visi, Indicate On, Vertical Legend
 - D Curved Rocker, Two Color Visi, Indicate On, Horizontal Legend
 - F Curved Rocker, Two Color Visi, Indicate Off, Vertical Legend
 - G Curved Rocker, Two Color Visi, Indicate Off, Horizontal Legend
 - J Curved Rocker, Single Color, Vertical Legend
 - K Curved Rocker, Single Color, Horizontal Legend
 - 1 Flat Rocker, Two Color Visi, Vertical Legend
 - 2 Flat Rocker, Two Color Visi, Horizontal Legend
 - 3 Flat Rocker, Single Color, Vertical Legend
 - 4 Flat Rocker, Single Color, Horizontal Legend
 - 5 Flat Rocker, Push To Reset, Two Color Visi, Vertical Legend
 - 6 Flat Rocker, Push To Reset, Two Color Visi, Horizontal Legend
 - 7 Flat Rocker, Push To Reset, Single Color, Vertical Legend
 - 8 Flat Rocker, Push To Reset, Single Color, Horizontal Legend

- 3 POLES²**
- | | | | | | |
|---|-----|---|-----|---|-------|
| 1 | One | 2 | Two | 3 | Three |
|---|-----|---|-----|---|-------|

- 4 CIRCUIT³**
- | | | | |
|---|-------------|---|-----------------------------|
| B | Series Trip | P | Series Trip (parallel pole) |
|---|-------------|---|-----------------------------|

- 5 AUXILIARY/ALARM SWITCH**
- | | | | |
|---|--|---|----------------------------|
| 0 | without Aux Switch | 6 | S.P.S.T., 0.139 Solder Lug |
| 2 | S.P.D.T., 0.110 Q.C. Term. | 8 | S.P.S.T., 0.187 Q.C. Term. |
| 3 | S.P.D.T., 0.139 Solder Lug | 9 | S.P.D.T., 0.187 Q.C. Term. |
| 4 | S.P.D.T., 0.110 Q.C. Term. (Gold Contacts) | | |

- 6 FREQUENCY & DELAY⁵**
- | | | | |
|----|----------------|----|----------------|
| D1 | DC Ultra Short | 11 | DC Ultra Short |
| D2 | DC Short | 12 | DC Short |
| D4 | DC Medium | 14 | DC Medium |
| D6 | DC Long | 16 | DC Long |

7 CURRENT RATING (AMPERES)²

| CODE | AMPERES | CODE | AMPERES | CODE | AMPERES | CODE | AMPERES |
|------|---------|------|---------|------|---------|------|---------|
| 810 | 100.00 | 813 | 130.00 | 817 | 170.00 | 820 | 200.00 |
| 811 | 110.00 | 814 | 140.00 | 818 | 180.00 | 822 | 225.00 |
| 812 | 120.00 | 815 | 150.00 | 819 | 190.00 | 825 | 250.00 |
| 812 | 125.00 | 816 | 160.00 | | | | |

- 8 TERMINAL⁴**
- 3 Stud 1/4-20
 - 6 Stud M6
 - A Plug-In Stud

9 ACTUATOR COLOR

| | LEGEND | Dual | Legend Color |
|--------|--------|------|--------------|
| White | B | 1 | Black |
| Black | D | 2 | White |
| Red | G | 3 | White |
| Green | J | 4 | White |
| Blue | L | 5 | White |
| Yellow | N | 6 | Black |
| Gray | Q | 7 | Black |
| Orange | S | 8 | Black |

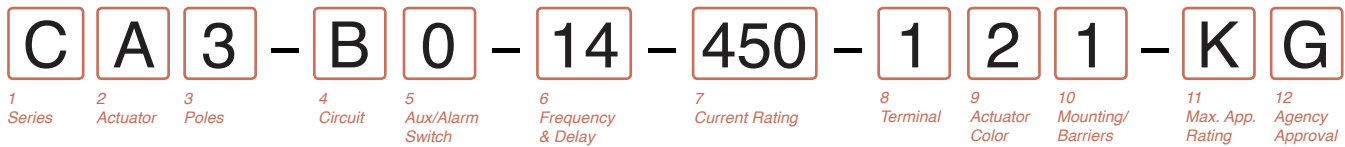
- 10 MOUNTING**
- ROCKER / MOUNTING INSERT STYLE**
- A Standard Rocker Bezel - 6-32 Inserts
 - B Standard Rocker Bezel - M3 Inserts
 - C Rocker Guard Bezel - 6-32 Inserts
 - D Rocker Guard Bezel - M3 Inserts
 - E Standard Bezel with recessed Off Side Flat Rocker - 6-32 Inserts
 - F Standard Bezel with recessed Off Side Flat Rocker - M3 Inserts
 - G Push to Reset Bezel - 6-32 Inserts
 - H Push to Reset Bezel - M3 Inserts

- 11 MAXIMUM APPLICATION RATING**
- M 80 DC

- 12 AGENCY APPROVAL⁶**
- A Without Approval
 - J UL489A Listed, TUV Certified
 - T UL489A Listed
 - 7 UL489A Listed, TUV Certified

Notes:

- 1 Breakers with Terminal Codes 3 & 6 are supplied with bus bars connecting the Line and Load Terminals. For Terminal Code A, Line and Load Terminals must be connected to a copper bus bar having a minimum cross-section of 0.078 square inches. Terminal code A not available on the single pole unit.
- 2 Ratings for 101 to 125 amps are available in 1-pole size. Ratings from 110 to 200 amps are available in 2-pole size. For ratings from 225-250 amps, specify 3-pole size.
- 3 Circuit code B only available with 1-pole.
- 4 1 pole only available with terminal codes 3 and 6.
- 5 Delays 11, 12, 14, and 16 are only available with 1 pole.
- 6 Agency code K and 7 not available with 1 pole. Agency code J only available with 1 pole.



1 SERIES
C

2 ACTUATOR¹
A Handle, one per pole
B Handle, one per multipole unit
S Mid-Trip Handle, one per pole
T Mid-Trip, one per pole & Alarm Switch

3 POLES²
1 One **2** Two **3** Three

4 CIRCUIT
B Series Trip (current)

5 AUXILIARY/ALARM SWITCH³
0 without Aux Switch
2 S.P.D.T., 0.110 Q.C. Term. **6** S.P.S.T., 0.139 Solder Lug
3 S.P.D.T., 0.139 Solder Lug **8** S.P.S.T., 0.187 Q.C. Term.
4 S.P.D.T., 0.110 Q.C. Term. (Gold Contacts) **9** S.P.D.T., 0.187 Q.C. Term.

6 FREQUENCY & DELAY
11 DC Ultra Short **26** 50/60Hz Long
12 DC Short **42⁴** 50/60Hz Short, Hi-Inrush
14 DC Medium **44⁴** 50/60Hz Medium, Hi-Inrush
16 DC Long **46⁴** 50/60Hz Long, Hi-Inrush
21 50/60Hz Ultra Short **52⁴** DC Short, Hi-Inrush
22 50/60Hz Short **54⁴** DC Medium, Hi-Inrush
24 50/60Hz Medium **56⁴** DC Long, Hi-Inrush

- Notes:
 1 Actuator Code:
 A: Handle tie pin spacer(s) and retainers provided assembled with multi-pole units.
 B: Handle located, as viewed from front of breaker in left pole. 2 pole maximum.
 S: Handle moves to mid-position only upon electrical trip of the breaker.
 T: Handle moves to mid-position and alarm switch activates only upon electrical trip of the breaker.
 2 Standard multipole units have all poles identical except when specifying auxiliary switch and/or mixed poles.
 2 & 3 pole circuit breakers required for 120/240 VAC (Maximum application rating code C) applications, have all poles identical except when specifying auxiliary / alarm switch which is normally supplied in extreme right pole per figure B. Terminal barriers are required on all multipole breakers.
 Third pole is for 120/240 VAC applications requiring neutral disconnect. The 3rd pole has the same construction as poles 1 & 2.
 3 On multi-pole breakers, one auxiliary switch is supplied, mounted in the extreme right pole.
 VDE approval on auxiliary switch codes 2, 3 & 4 only.
 Auxiliary / Alarm Switch with Independent Circuit ie: separate from breaker circuit, only available with circuit breakers rated 50 amp maximum at 80 VDC, 125 VDC, and 120 VAC. Auxiliary / Alarm Switch with Dependent Circuit ie: same as circuit breaker, is supplied from factory with common terminal of auxiliary / alarm switch connected to line terminal on 120/240 and 240 VAC ratings. Circuit breakers rated 120 VAC 50 amp maximum can be supplied with Auxiliary/Alarm switch common terminal connected to breaker line terminal. Consult factory for special catalog number.
 4 Available up to 50 amps maximum.
 5 Current ratings 71 - 100 with VDE approvals are available up to two poles maximum.
 6 Terminal Codes 9 & C are not VDE approved.
 7 Terminal Code 1 available to 60 amps maximum.
 8 Terminal Codes 2, 4, 5 & C available to 50 amps maximum.
 9 Terminal Codes 3, 6 & 9 available to 100 amps maximum.
 10 Terminal Code A available to 100 amps maximum.
 11 VDE and TUV approvals require Dual (I-O, ON-OFF) markings on all handles.
 12 Barriers supplied on multi-pole units only.

7 CURRENT RATING (AMPERES)⁵

| CODE | AMPERES | | | | |
|------|---------|-----|-------|-----|--------|
| 210 | 0.100 | 295 | 0.950 | 470 | 7.000 |
| 215 | 0.150 | 410 | 1.000 | 475 | 7.500 |
| 220 | 0.200 | 512 | 1.250 | 480 | 8.000 |
| 225 | 0.250 | 415 | 1.500 | 485 | 8.500 |
| 230 | 0.300 | 517 | 1.750 | 490 | 9.000 |
| 235 | 0.350 | 420 | 2.000 | 495 | 9.500 |
| 240 | 0.400 | 522 | 2.250 | 610 | 10.000 |
| 245 | 0.450 | 425 | 2.500 | 710 | 10.500 |
| 250 | 0.500 | 527 | 2.750 | 611 | 11.000 |
| 255 | 0.550 | 430 | 3.000 | 711 | 11.500 |
| 260 | 0.600 | 435 | 3.500 | 612 | 12.000 |
| 265 | 0.650 | 440 | 4.000 | 712 | 12.500 |
| 270 | 0.700 | 445 | 4.500 | 613 | 13.000 |
| 275 | 0.750 | 450 | 5.000 | 614 | 14.000 |
| 280 | 0.800 | 455 | 5.500 | 615 | 15.000 |
| 285 | 0.850 | 460 | 6.000 | 616 | 16.000 |
| 290 | 0.900 | 465 | 6.500 | 617 | 17.000 |

8 TERMINAL⁶

| | | | |
|----------------|----------------|-----------------|---------------------|
| 1 ⁷ | Stud 10-32 | 6 ⁹ | Stud M6 |
| 2 ⁸ | Screw 10-32 | 9 ⁹ | 7/16" Clip Terminal |
| 3 ⁹ | Stud 1/4-20 | A ¹⁰ | Plug-In Stud |
| 4 ⁸ | Stud M5 x 0.8 | C ⁸ | 5/16" Clip Terminal |
| 5 ⁸ | Screw M5 x 0.8 | | |

9 ACTUATOR COLOR & LEGEND¹¹

| Actuator Color | ON-OFF | Dual | Legend Color |
|----------------|----------|----------|--------------|
| White | B | 1 | Black |
| Black | D | 2 | White |
| Red | G | 3 | White |
| Green | J | 4 | White |
| Blue | L | 5 | White |
| Yellow | N | 6 | Black |
| Gray | Q | 7 | Black |
| Orange | S | 8 | Black |

10 MOUNTING/BARRIERS

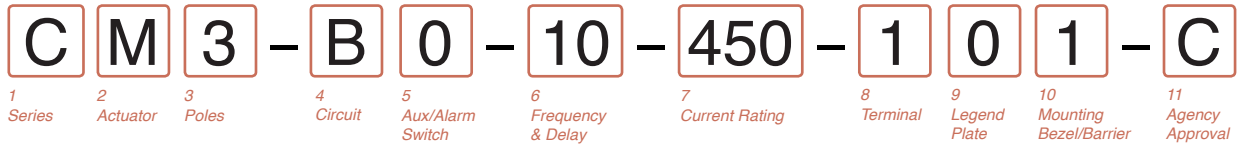
| MOUNTING STYLE | BARRIERS ¹² |
|------------------------|------------------------|
| Threaded Insert | |
| 1 6-32 x 0.195 inches | yes |
| 2 ISO M3 x 5mm | yes |

11 MAXIMUM APPLICATION RATING

| | |
|----------|-------------------------|
| A | 65 DC |
| B | 125 DC |
| C | 120/240 AC ² |
| D | 240 AC |
| K | 120 AC |
| F | 277 AC |
| M | 80 DC |

12 AGENCY APPROVAL¹¹

| | |
|----------|---|
| A | w/o approvals |
| F | UL489 Listed, CSA Certified & VDE Certified |
| G | UL489 Listed & CSA Certified |
| J | UL489 Listed, CSA Certified & TUV Certified |



1 SERIES
C

2 ACTUATOR¹

M Sealed Toggle, one per pole

3 POLES

1 One **2** Two **3** Three

4 CIRCUIT

| | |
|---|---|
| A ² Switch Only (no coil) | F ³ Relay Trip (current) |
| B Series Trip (current) | G ³ Relay Trip (voltage) |
| C Series Trip (voltage) | H ^{3,4} Dual Coil with Shunt Trip |
| D ³ Shunt Trip (current) | Voltage Coil |
| E ³ Shunt Trip (voltage) | K ^{3,4} Dual Coil with Relay Trip |
| | Voltage Coil |

5 AUXILIARY/ALARM SWITCH

| | |
|---|-------------------------------------|
| 0 without Aux Switch | 6 S.P.S.T., 0.110 Q.C. Term. |
| 2 S.P.D.T., 0.110 Q.C. Term. | 8 S.P.S.T., 0.187 Q.C. Term. |
| 3 S.P.D.T., 0.139 Solder Lug | 9 S.P.D.T., 0.187 Q.C. Term. |
| 4 S.P.D.T., 0.110 Q.C. Term. (Gold Contacts) | |

6 FREQUENCY & DELAY

| | |
|--|--|
| 03 ² DC 50/60Hz, Switch Only | 30 DC 50/60Hz Instantaneous |
| 10 ⁶ DC Instantaneous | 31 DC 50/60Hz Ultra Short |
| 11 DC Ultra Short | 32 DC 50/60Hz Short |
| 12 DC Short | 34 DC 50/60Hz Medium |
| 14 DC Medium | 36 DC 50/60Hz Long |
| 16 DC Long | 42 ⁷ 50/60Hz Short, Hi-Inrush |
| 20 ⁶ 50/60Hz Instantaneous | 44 ⁷ 50/60Hz Medium, Hi-Inrush |
| 21 50/60Hz Ultra Short | 46 ⁷ 50/60Hz Long, Hi-Inrush |
| 22 50/60Hz Short | 52 ⁷ DC Short, Hi-Inrush |
| 24 50/60Hz Medium | 54 ⁷ DC Medium, Hi-Inrush |
| 26 50/60Hz Long | 56 DC Long, Hi-Inrush |

Notes:

- 1 Actuator Code M: Handle location as viewed from front of breaker:
2 pole - right pole 3 pole - center pole
- 2 Switch Only circuits, rated up to 50 amps and 3 poles, and only available with VDE. For .02 to 30 amps, select Current Code 630. For 35 - 50 amps, select Current Code 650. For 55-70 amps, select Current Code 670. For 75-100 amps, select Current Code 810.
- 3 Circuit Codes D,E,F,G,H & K available with Terminal Codes 1,2,4 & 5 only.
- 4 Consult factory for available Dual Coil options, as special catalog number is required. Dual Coil Voltage Coils with Shunt Trip Construction trip instantaneously on line voltage. Dual Coil Voltage Coils require 30VA minimum power to trip instantaneously and are rated for intermittent duty only.
- 5 Auxiliary Switch available with Series Trip and Switch Only circuits. On multi-pole breakers, one aux. switch is supplied, mounted in the extreme right pole.
- 6 Voltage coils not rated for continuous duty. Available only with delay codes 10 & 20.
- 7 Available with Circuit Codes B & D only, and up to 50 amps maximum.
- 8 Consult factory for current ratings 71-100, in three pole units, available as special catalog number only.
- 9 Terminal Code 1 available to 60 amps maximum.
- 10 Terminal Codes 2, 4, 5 and C available to 50 amps maximum.
- 11 Terminal Codes 3, 6 & 9 available to 100 amps maximum.
- 12 Terminal Code 7 available to 25 amps maximum.
- 13 Terminal Code A available to 100 amps maximum.

7 CURRENT RATING (AMPERES)⁹

| CODE | AMPERES | | | | | | |
|------------|---------|------------|-------|------------|--------|-------------------------|---------|
| 020 | 0.020 | 235 | 0.350 | 430 | 3.000 | 614 | 14.000 |
| 025 | 0.025 | 240 | 0.400 | 435 | 3.500 | 615 | 15.000 |
| 030 | 0.030 | 245 | 0.450 | 440 | 4.000 | 616 | 16.000 |
| 035 | 0.035 | 250 | 0.500 | 445 | 4.500 | 617 | 17.000 |
| 040 | 0.040 | 255 | 0.550 | 450 | 5.000 | 618 | 18.000 |
| 045 | 0.045 | 260 | 0.600 | 455 | 5.500 | 620 | 20.000 |
| 050 | 0.050 | 265 | 0.650 | 460 | 6.000 | 622 | 22.000 |
| 055 | 0.055 | 270 | 0.700 | 465 | 6.500 | 624 | 24.000 |
| 060 | 0.060 | 275 | 0.750 | 470 | 7.000 | 625 | 25.000 |
| 065 | 0.065 | 280 | 0.800 | 475 | 7.500 | 630 | 30.000 |
| 070 | 0.070 | 285 | 0.850 | 480 | 8.000 | 635 | 35.000 |
| 075 | 0.075 | 290 | 0.900 | 485 | 8.500 | 640 | 40.000 |
| 080 | 0.080 | 295 | 0.950 | 490 | 9.000 | 650 | 50.000 |
| 085 | 0.085 | 410 | 1.000 | 495 | 9.500 | 660 ⁹ | 60.000 |
| 090 | 0.090 | 512 | 1.250 | 610 | 10.000 | 670 ⁹ | 70.000 |
| 095 | 0.095 | 415 | 1.500 | 710 | 10.500 | 680 ⁹ | 80.000 |
| 210 | 0.100 | 517 | 1.750 | 611 | 11.000 | 685 ⁹ | 85.000 |
| 215 | 0.150 | 420 | 2.000 | 711 | 11.500 | 690 ⁹ | 90.000 |
| 220 | 0.200 | 522 | 2.250 | 612 | 12.000 | 695 ⁹ | 95.000 |
| 225 | 0.250 | 425 | 2.500 | 712 | 12.500 | 810 ⁹ | 100.000 |
| 230 | 0.300 | 527 | 2.750 | 613 | 13.000 | | |

VOLTAGE COIL (NOMINAL RATED VOLTAGE)⁷

| CODE | RATING | | | | | | |
|------------|--------|------------|------|------------|------|------------|-------|
| A06 | 6DC | A32 | 32DC | J12 | 12AC | J65 | 65AC |
| A12 | 12DC | A48 | 48DC | J18 | 18AC | K20 | 120AC |
| A18 | 18DC | A65 | 65DC | J24 | 24AC | L40 | 240AC |
| A24 | 24DC | J06 | 6AC | J48 | 48AC | | |

8 TERMINAL

| | |
|---------------------------------------|---|
| 1 ⁹ Stud 10-32 | 6 ¹¹ Stud M6 |
| 2 ¹⁰ Screw 10-32 | 7 ¹² 0.250 Double Click Connect |
| 3 ¹¹ Stud 1/4-20 | 9 ¹¹ 7/16" Clip Terminal |
| 4 ¹⁰ Stud M5 x 0.8 | A ¹³ Plug-In Stud |
| 5 ¹⁰ Screw M5 x 0.8 | C ¹⁰ 5/16" Clip Terminal |

9 LEGEND PLATE

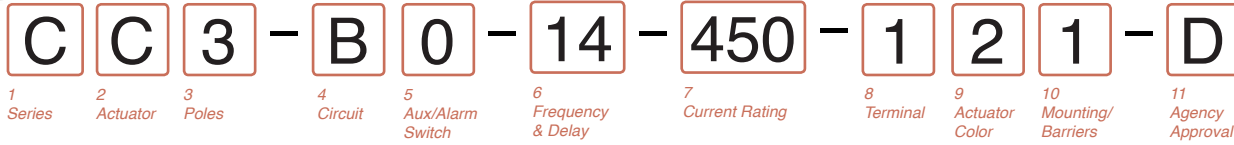
0 No Legend

10 MOUNTING/BARRIERS

| | MOUNTING STYLE | BARRIERS |
|----------|--|----------|
| 1 | Standard Hex Nut | no |
| A | Standard Hex Nut (multi-pole units only) | yes |

11 AGENCY APPROVAL

C UL Recognized & CSA Accepted
L UL Recognized & CSA Accepted with listed construction
I UL Recognized & CSA Accepted, UL1500 ignition protection



1 SERIES
C

2 ACTUATOR¹

Two Color Visi-Rocker

C Indicate ON, vertical legend
D Indicate ON, horizontal legend
E Indicate ON, no legend
F Indicate OFF, vertical legend
G Indicate OFF, horizontal legend
H Indicate OFF, no legend

Push-To-Reset, Visi-Rocker

N Indicate OFF, vertical legend
O Indicate OFF, horizontal legend
P Indicate OFF, no legend

Single color

J Vertical legend
K Horizontal legend
L No legend

Push-To-Reset, Single color

R Vertical legend
U Horizontal legend
V No legend

| | INDICATE "ON" | INDICATE "OFF" | SINGLE COLOR |
|------------------|---------------|-------------------|-------------------|
| VERTICAL STYLE | CODE "C" | CODE "F", "H" | CODE "J", "K" |
| HORIZONTAL STYLE | CODE "D" | CODE "G", "I" | CODE "O", "P" |

3 POLES²

1 One 2 Two 3 Three

4 CIRCUIT

A³ Switch Only (No Coil)
B Series Trip (Current)
C Series Trip (Voltage)
D⁴ Shunt Trip (Current)
E⁴ Shunt Trip (Voltage)

F⁴ Relay Trip (Current)
G⁴ Relay Trip (Voltage)
H^{4,5} Dual Coil with Shunt Trip Voltage Coil
K^{4,5} Dual Coil with Relay Trip Voltage Coil

5 AUXILIARY/ALARM SWITCH⁶

0 without Aux Switch
2 S.P.D.T., 0.110 Q.C. Term.
3 S.P.D.T., 0.139 Solder Lug
4 S.P.D.T., 0.110 Q.C. Term. (Gold Contacts)

6 S.P.S.T., 0.139 Solder Lug
8 S.P.S.T., 0.187 Q.C. Term.
9 S.P.D.T., 0.187 Q.C. Term.

6 FREQUENCY & DELAY

03 DC 50/60Hz, Switch Only
10⁷ DC Instantaneous
11 DC Ultra Short
12 DC Short
14 DC Medium
16 DC Long
20⁷ 50/60Hz Instantaneous
21 50/60Hz Ultra Short
22 50/60Hz Short
24 50/60Hz Medium
26 50/60Hz Long

30 DC 50/60Hz Instantaneous
31 DC 50/60Hz Ultra Short
32 DC 50/60Hz Short
34 DC 50/60Hz Medium
36 DC 50/60Hz Long
42⁸ 50/60Hz Short, Hi-Inrush
44⁸ 50/60Hz Medium, Hi-Inrush
46⁸ 50/60Hz Long, Hi-Inrush
52⁸ DC Short, Hi-Inrush
54⁸ DC Medium, Hi-Inrush
56⁸ DC Long, Hi-Inrush

- Notes:
- Push-To-Reset actuators have OFF portion of rocker shrouded.
 - Multi-pole breakers have all poles identical except when specifying Aux. switch and/or mixed poles, and have one rocker per breaker. Rocker location as viewed from front panel: 2 pole – left pole; 3 pole – center pole.
 - Switch Only circuits, rated up to 50 amps and 3 poles, and only available with VDE Certification when tied to a protected pole (Circuit Code B, C, D or H.), For .02 to 30 amps, select Current Code 630. For 35 - 50 amps, select Current Code 650. For 55-70 amps, select Current Code 670. For 75-100 amps, select Current Code 810.
 - Circuit Codes D,E,F,G,H & K available with Terminal Codes 1,2,4 & 5 only. Circuit Codes D,F,H & K available up to 50 amps maximum Current Rating.
 - Consult factory for available Dual Coil options, as special catalog number is required. Dual Coil Voltage Coils with Shunt Trip Construction trip instantaneously on line voltage. Dual Coil Voltage Coils require 30VA minimum power to trip instantaneously and are rated for intermittent duty only.
 - Auxiliary Switch available with Series Trip and Switch Only circuits. On multi-pole breakers, one aux. switch is supplied, mounted in the extreme right pole. Auxiliary switch codes 2, 3 & 4 are VDE approved.
 - Voltage coils not rated for continuous duty. Available only with delay codes 10 & 20.
 - Available with Circuit Codes B & D only, and up to 50 amps maximum.
 - Current Ratings 60-70 are available up to four poles maximum. Ratings 71-100 are available up to two poles maximum.
 - Terminal Code 1 available to 60 amps maximum.
 - Terminal Codes 2, 4, 5 & C available to 50 amps maximum.
 - Terminal Codes 3, 6 & 9 available to 100 amps maximum.
 - Terminal Code 7 available to 25 amps maximum.
 - Terminal Code A available to 100 amps maximum.
 - Terminal Codes 7, 9 & C are not VDE approved.
 - Color shown is visi and legend with remainder of rocker black
 - Legend on Push-to-reset bezel/shroud is white when single color rocker is ordered. Dual = ON-OFF/I-O legend with actuator codes C - G, and J, K, N, O, R, & U. None = no legend with actuator codes H, L, P, V. Rockerguard available with actuator codes C - L. Push-to-reset available with actuator codes N, O, P, R, U, V.
 - VDE/TUV approval requires Dual (I-O, ON-OFF) or I-O markings on rocker.
 - VDE/TUV: 30 amps max.; UL/CSA: 50 amps max.; Available in 2 - 4 poles only, and limited to AC Delays. "General Purpose amps" not rated for "full load amps" or to be used in applications with a motor.

7 CURRENT RATING (AMPERES)

| CODE | AMPERES | CODE | AMPERES | CODE | AMPERES | CODE | AMPERES |
|------|---------|------|---------|------|---------|------------------|---------|
| 020 | 0.020 | 235 | 0.350 | 430 | 3.000 | 614 | 14.000 |
| 025 | 0.025 | 240 | 0.400 | 435 | 3.500 | 615 | 15.000 |
| 030 | 0.030 | 245 | 0.450 | 440 | 4.000 | 616 | 16.000 |
| 035 | 0.035 | 250 | 0.500 | 445 | 4.500 | 617 | 17.000 |
| 040 | 0.040 | 255 | 0.550 | 450 | 5.000 | 618 | 18.000 |
| 045 | 0.045 | 260 | 0.600 | 455 | 5.500 | 620 | 20.000 |
| 050 | 0.050 | 265 | 0.650 | 460 | 6.000 | 622 | 22.000 |
| 055 | 0.055 | 270 | 0.700 | 465 | 6.500 | 624 | 24.000 |
| 060 | 0.060 | 275 | 0.750 | 470 | 7.000 | 625 | 25.000 |
| 065 | 0.065 | 280 | 0.800 | 475 | 7.500 | 630 | 30.000 |
| 070 | 0.070 | 285 | 0.850 | 480 | 8.000 | 635 | 35.000 |
| 075 | 0.075 | 290 | 0.900 | 485 | 8.500 | 640 | 40.000 |
| 080 | 0.080 | 295 | 0.950 | 490 | 9.000 | 650 | 50.000 |
| 085 | 0.085 | 410 | 1.000 | 495 | 9.500 | 660 ⁹ | 60.000 |
| 090 | 0.090 | 512 | 1.250 | 610 | 10.000 | 670 ⁹ | 70.000 |
| 095 | 0.095 | 415 | 1.500 | 710 | 10.500 | 680 ⁹ | 80.000 |
| 210 | 0.100 | 517 | 1.750 | 611 | 11.000 | 685 ⁹ | 85.000 |
| 215 | 0.150 | 420 | 2.000 | 711 | 11.500 | 690 ⁹ | 90.000 |
| 220 | 0.200 | 522 | 2.250 | 612 | 12.000 | 695 ⁹ | 95.000 |
| 225 | 0.250 | 425 | 2.500 | 712 | 12.500 | 810 ⁹ | 100.000 |
| 230 | 0.300 | 527 | 2.750 | 613 | 13.000 | | |

VOLTAGE COIL (NOMINAL RATED VOLTAGE)⁷

| CODE | RATING | CODE | RATING | CODE | RATING | CODE | RATING |
|------|--------|------|--------|------|--------|------|--------|
| A06 | 6DC | A32 | 32DC | J12 | 12AC | J65 | 65AC |
| A12 | 12DC | A48 | 48DC | J18 | 18AC | K20 | 120AC |
| A18 | 18DC | A65 | 65DC | J24 | 24AC | L40 | 240AC |
| A24 | 24DC | J06 | 6AC | J48 | 48AC | | |

8 TERMINAL

| | |
|--------------------------------|--|
| 1 ¹⁰ Stud 10-32 | 6 ¹² Stud M6 |
| 2 ¹¹ Screw 10-32 | 7 ¹³ 0.250 Double Quick Connect |
| 3 ¹² Stud 1/4-20 | 9 7/16" Clip Terminal |
| 4 ¹¹ Stud M5 x 0.8 | A ¹⁴ Plug-In Stud |
| 5 ¹¹ Screw M5 x 0.8 | C 5/16" Clip Terminal |

9 ACTUATOR COLOR & LEGEND^{16,17,18}

| Actuator or Visi-Color | Marking: | Marking Color: | Single Color | Rocker/Handle | Visi-Rocker |
|------------------------|----------|----------------|--------------|---------------|-------------|
| Color: | I-O | ON-OFF | Dual/None | | |
| White | A | B | 1 | Black | White |
| Black | C | D | 2 | White | n/a |
| Red | F | G | 3 | White | Red |
| Green | H | J | 4 | White | Green |
| Blue | K | L | 5 | White | Blue |
| Yellow | M | N | 6 | Black | Yellow |
| Gray | P | Q | 7 | Black | Gray |
| Orange | R | S | 8 | Black | Orange |

10 MOUNTING/BARRIERS¹

| | STANDARD ROCKER BEZEL | BARRIERS |
|-----------------|-----------------------|----------|
| 1 | 6-32 x 0.195 inches | no |
| 2 | 6-32 x 0.195 inches | yes |
| 3 ¹⁹ | 6-32 x 0.195 inches | yes |
| 4 | ISO M3 x 5mm | no |
| 5 | ISO M3 x 5mm | yes |
| 6 ¹⁹ | ISO M3 x 5mm | yes |

| | ROCKERGUARD BEZEL | |
|-----------------|---------------------|-----|
| A | 6-32 x 0.195 inches | no |
| C | 6-32 x 0.195 inches | yes |
| E ¹⁹ | 6-32 x 0.195 inches | yes |
| G | ISO M3 x 5mm | no |
| J | ISO M3 x 5mm | yes |
| L ¹⁹ | ISO M3 x 5mm | yes |

| | PUSH-TO-RESET BEZEL | |
|-----------------|---------------------|-----|
| B | 6-32 x 0.195 inches | no |
| D | 6-32 x 0.195 inches | yes |
| F ¹⁹ | 6-32 x 0.195 inches | yes |
| H | ISO M3 x 5mm | no |
| J | ISO M3 x 5mm | yes |
| M ¹⁹ | ISO M3 x 5mm | yes |

11 AGENCY APPROVAL

C UL Recognized & CSA Accepted
D VDE Certified, UL Recognized & CSA Accepted
E TUV Certified, UL Recognized & CSA Accepted
H UL489 Construction: VDE Certified, UL Recognized & CSA Accepted
I UL Rec. STD 1077, UL Rec. 1500 (ignition protected), & CSA Accepted
L UL489 Construction: UL Recognized & CSA Accepted
R UL489 Construction: TUV Certified, UL Recognized & CSA Accepted

C C 3 - B 0 - 14 - 450 - 1 2 A - K G

1 Series 2 Actuator 3 Poles 4 Circuit 5 Aux/Alarm Switch 6 Frequency & Delay 7 Current Rating 8 Terminal 9 Actuator Color 10 Mounting/Barriers 11 Max. App. Rating 12 Agency Approval

1 SERIES
C

2 ACTUATOR¹
Two Color Visi-Rocker

C Indicate ON, vertical legend **Single color**
D Indicate ON, horizontal legend **J** Vertical legend
F Indicate OFF, vertical legend **K** Horizontal legend
G Indicate OFF, horizontal legend

ROCKER STYLE DESCRIPTIONS

INDICATE "ON" INDICATE "OFF" SINGLE COLOR

CODE "C" CODE "F" CODE "J"

CODE "D" CODE "G" CODE "K"

3 POLES¹

1 One 2 Two 3 Three

4 CIRCUIT
B Series Trip (current)

5 AUXILIARY/ALARM SWITCH²

| | | | |
|---|--|---|----------------------------|
| 0 | without Aux Switch | 6 | S.P.S.T., 0.139 Solder Lug |
| 2 | S.P.D.T., 0.110 Q.C. Term. | 8 | S.P.S.T., 0.187 Q.C. Term. |
| 3 | S.P.D.T., 0.139 Solder Lug | 9 | S.P.D.T., 0.187 Q.C. Term. |
| 4 | S.P.D.T., 0.110 Q.C. Term. (Gold Contacts) | | |

6 FREQUENCY & DELAY

| | | | |
|----|---------------------|-----------------|---------------------------|
| 11 | DC Ultra Short | 26 | 50/60Hz Long |
| 12 | DC Short | 42 ^B | 50/60Hz Short, Hi-Inrush |
| 14 | DC Medium | 44 ^B | 50/60Hz Medium, Hi-Inrush |
| 16 | DC Long | 46 ^B | 50/60Hz Long, Hi-Inrush |
| 21 | 50/60Hz Ultra Short | 52 ^B | DC Short, Hi-Inrush |
| 22 | 50/60Hz Short | 54 ^B | DC Medium, Hi-Inrush |
| 24 | 50/60Hz Medium | 56 | DC Long, Hi-Inrush |

- Notes:
- Multi-pole breakers have all breakers identical except when specifying Aux. switch and/or mixed poles, and have one rocker per breaker.
 - On multi-pole breakers, one aux. switch is supplied, mounted in the extreme right pole.
 - Available up to 50 amps maximum.
 - Current ratings 71 - 100 with VDE approvals are available up to two poles maximum.
 - Terminal Code 1 available to 60 amps maximum.
 - Terminal Codes 2, 4, 5 & C available to 50 amps maximum.
 - Terminal Codes 3, 6, 9 & A available to 100 amps maximum.
 - Terminal Codes 9 & C are not VDE approved.
 - Color shown is visi and legend with remainder of rocker black
 - Dual = ON-OFF/I-O legend on actuator.
 - VDE and TUV approval requires Dual (I-O, ON-OFF) markings on rocker.
 - Rockerguard available with all actuator codes.
 - Barriers supplied on multi-pole units only.
 - 2 & 3 pole circuit breakers required for 120/240 AC rating.

7 CURRENT RATING (AMPERES)⁴

| CODE | AMPERES | CODE | AMPERES | CODE | AMPERES | CODE | AMPERES |
|------|---------|------|---------|------|---------|------|---------|
| 210 | 0.100 | 295 | 0.950 | 470 | 7.000 | 618 | 18.000 |
| 215 | 0.150 | 410 | 1.000 | 475 | 7.500 | 620 | 20.000 |
| 220 | 0.200 | 512 | 1.250 | 480 | 8.000 | 622 | 22.000 |
| 225 | 0.250 | 415 | 1.500 | 485 | 8.500 | 624 | 24.000 |
| 230 | 0.300 | 517 | 1.750 | 490 | 9.000 | 625 | 25.000 |
| 235 | 0.350 | 420 | 2.000 | 495 | 9.500 | 630 | 30.000 |
| 240 | 0.400 | 522 | 2.250 | 610 | 10.000 | 635 | 35.000 |
| 245 | 0.450 | 425 | 2.500 | 710 | 10.500 | 640 | 40.000 |
| 250 | 0.500 | 527 | 2.750 | 611 | 11.000 | 650 | 50.000 |
| 255 | 0.550 | 430 | 3.000 | 711 | 11.500 | 660 | 60.000 |
| 260 | 0.600 | 435 | 3.500 | 612 | 12.000 | 670 | 70.000 |
| 265 | 0.650 | 440 | 4.000 | 712 | 12.500 | 680 | 80.000 |
| 270 | 0.700 | 445 | 4.500 | 613 | 13.000 | 685 | 85.000 |
| 275 | 0.750 | 450 | 5.000 | 614 | 14.000 | 690 | 90.000 |
| 280 | 0.800 | 455 | 5.500 | 615 | 15.000 | 695 | 95.000 |
| 285 | 0.850 | 460 | 6.000 | 616 | 16.000 | 810 | 100.000 |
| 290 | 0.900 | 465 | 6.500 | 617 | 17.000 | | |

8 TERMINAL

| | | | |
|----------------|---|------------------|---------------------|
| 1 ⁵ | Stud 10-32 | 6 ⁷ | Stud M6 |
| 2 ⁶ | Screw 10-32 w/saddle & washer clamps | 9 ^{7,8} | 7/16" Clip Terminal |
| 3 ⁷ | Stud 1/4-20 | A ^{7,8} | Plug-In Stud |
| 4 ⁶ | Stud M5 x 0.8 | C ^{6,8} | 5/16" Clip Terminal |
| 5 ⁶ | Screw M5 x 0.8 w/saddle & washer clamps | | |

9 ACTUATOR COLOR & LEGEND¹¹

Actuator or

| Color | Marking: | Marking Color: |
|--------|----------|--------------------|
| White | ON-OFF | Dual ¹⁰ |
| Black | B | 1 |
| Red | D | 2 |
| Green | G | 3 |
| Blue | J | 4 |
| Yellow | L | 5 |
| Gray | N | 6 |
| Orange | Q | 7 |
| | S | 8 |

Single Color

| Color/Handle | Visi-Rocker |
|--------------|-------------|
| Black | White |
| White | n/a |
| White | Red |
| White | Green |
| White | Blue |
| White | Yellow |
| Black | Gray |
| Black | Orange |

10 MOUNTING/BARRIERS¹²

Standard Rocker Bezel

| | | |
|----------|---------------------|-----|
| A | 6-32 X 0.195 inches | yes |
| C | ISO M3 x 5mm | yes |

Threaded Insert, 2 per pole

Rockerguard Bezel

| | | |
|----------|---------------------|-----|
| B | 6-32 x 0.195 inches | yes |
| D | ISO M3 x 5mm | yes |

BARRIERS¹³

11 MAXIMUM APPLICATION RATING

| | |
|---|--------------------------|
| A | 65 DC |
| B | 125 DC |
| C | 120/240 AC ¹⁴ |
| D | 240 AC |
| F | 277 AC |
| K | 120 AC |
| M | 80 DC |

12 AGENCY APPROVAL

| | |
|---|---|
| A | without approvals |
| F | UL 489 Listed, CSA Certified, & VDE Certified |
| G | UL 489 Listed & CSA Certified |
| J | UL489 Listed, CSA Certified & TUV Certified |

C 1 2 - B 0 - 10 - 450 - 1 2 1 - E

1 Series 2 Actuator 3 Poles 4 Circuit 5 Aux/Alarm Switch 6 Frequency & Delay 7 Current Rating 8 Terminal 9 Actuator Color 10 Mounting/Barriers 11 Agency Approval

1 SERIES
C

2 ACTUATOR¹
Two Color Visi-Rocker
1 Indicate OFF, vertical legend
2 Indicate OFF, horizontal legend
Single color
3 Vertical legend
4 Horizontal legend
Push-To-Reset, Visi-Rocker
5 Indicate OFF, vertical legend
6 Indicate OFF, horizontal legend
Push-To-Reset, Single color
7 Vertical legend
8 Horizontal legend

| | INDICATE "OFF" | SINGLE COLOR |
|------------------|----------------|---------------|
| VERTICAL STYLE | CODE "1", "5" | CODE "3", "7" |
| | CODE "2", "6" | CODE "4", "8" |
| HORIZONTAL STYLE | CODE "1", "5" | CODE "3", "7" |
| | CODE "2", "6" | CODE "4", "8" |

3 POLES²
1 One 2 Two 3 Three

4 CIRCUIT

| | |
|--|---|
| A³ Switch Only (No Coil) | F⁴ Relay Trip (Current) |
| B Series Trip (Current) | G⁴ Relay Trip (Voltage) |
| C Series Trip (Voltage) | H^{4,5} Dual Coil with Shunt Trip Voltage Coil |
| D⁴ Shunt Trip (Current) | K^{4,5} Dual Coil with Relay Trip Voltage Coil |
| E⁴ Shunt Trip (Voltage) | |

5 AUXILIARY/ALARM SWITCH⁶

| | |
|--|------------------------------|
| 0 without Aux Switch | 6 S.P.D.T., 0.110 Q.C. Term. |
| 1 S.P.D.T., 0.110 Q.C. Term. | 8 S.P.S.T., 0.187 Q.C. Term. |
| 3 S.P.D.T., 0.139 Solder Lug | 9 S.P.D.T., 0.187 Q.C. Term. |
| 4 S.P.D.T., 0.110 Q.C. Term. (Gold Contacts) | |

6 FREQUENCY & DELAY

| | |
|---------------------------------------|---|
| 03 DC 50/60Hz, Switch Only | 30 DC 50/60Hz Instantaneous |
| 10 ⁷ DC Instantaneous | 31 DC 50/60Hz Ultra Short |
| 11 DC Ultra Short | 32 DC 50/60Hz Short |
| 12 DC Short | 34 DC 50/60Hz Medium |
| 14 DC Medium | 36 DC 50/60Hz Long |
| 16 DC Long | 42 ⁸ 50/60Hz Short, Hi-Inrush |
| 20 ⁷ 50/60Hz Instantaneous | 44 ⁸ 50/60Hz Medium, Hi-Inrush |
| 21 50/60Hz Ultra Short | 46 ⁸ 50/60Hz Long, Hi-Inrush |
| 22 50/60Hz Short | 52 ⁸ DC Short, Hi-Inrush |
| 24 50/60Hz Medium | 54 ⁸ DC Medium, Hi-Inrush |
| 26 50/60Hz Long | 56 ⁸ DC Long, Hi-Inrush |

Notes:
 1 Push-to-reset actuators have OFF portion of rocker shrouded.
 2 Multi-pole breakers have all poles identical except when specifying Aux. switch and/or mixed poles, and have one rocker per breaker. Rocker location as viewed from front panel; 2 pole – left pole; 3 pole – center pole.
 3 Switch Only circuits, rated up to 50 amps and 3 poles, and only available with VDE Certification when tied to a protected pole (Circuit Code B, C, D or H.). For .02 to 30 amps, select Current Code 630. For 35 - 50 amps, select Current Code 650. For 55-70 amps, select Current Code 670. For 75-100 amps, select Current Code 810.
 4 Circuit Codes D,E,F,G,H & K available with Terminal Codes 1,2,4 & 5 only. Circuit Codes D,F,H & K available up to 50 amps maximum Current Rating.
 5 Consult factory for available Dual Coil options, as special catalog number is required. Dual Coil Voltage Coils with Shunt Trip Construction trip instantaneously on line voltage. Dual Coil Voltage Coils require 30VA minimum power to trip instantaneously and are rated for intermittent duty only.
 6 Auxiliary Switch available with Series Trip and Switch Only circuits. On multi-pole breakers, one aux. switch is supplied, mounted in the extreme right pole. Auxiliary switch codes 2, 3 & 4 are VDE approved.
 7 Voltage coils not rated for continuous duty. Available only with delay codes 10 and 20.
 8 Available with Circuit Codes B & D only, and up to 50 amps maximum.
 9 Current ratings 60-70 are available up to four poles maximum. Current ratings 71 - 100 are available up to two poles maximum.
 10 Terminal Code 1 available to 60 amps maximum.
 11 Terminal Codes 2,4,5 & C available to 50 amps maximum.
 12 Terminal Codes 3,6 & 9 available to 100 amps maximum.
 13 Terminal Code 7 available to 25 amps maximum.
 14 Terminal Code A available to 100 amps maximum.
 15 Terminal Codes 7, 9 & C are not VDE approved.
 16 Color shown is visi & legend with remainder of rocker black. Dual = ON-OFF/I-O legend.
 17 Legend on Push-to-reset bezel/shroud is white with single color actuator codes 7 & 8. Legend on Push-to-reset bezel/shroud matches visi-color of rocker with actuator codes 5 & 6.
 18 VDE/TUV approval requires Dual (I-O, ON-OFF) or I-O markings on rocker.
 19 VDE/TUV; 30 amps max.; UL/CSA: 50 amps max.; Available in 2 & 3 poles only and limited to AC Delays. "General Purpose amps" not rated for "full load amps" or to be used in applications with a motor.
 20 Recessed "OFF SIDE" available with actuator codes 1,2,3&4. Legends on rocker are available in ink stamping only.

7 CURRENT RATING (AMPERES)⁹

| CODE | AMPERES | CODE | AMPERES | CODE | AMPERES | CODE | AMPERES |
|------|---------|------|---------|------|---------|------------------|---------|
| 020 | 0.020 | 235 | 0.350 | 430 | 3.000 | 614 | 14.000 |
| 025 | 0.025 | 240 | 0.400 | 435 | 3.500 | 615 | 15.000 |
| 030 | 0.030 | 245 | 0.450 | 440 | 4.000 | 616 | 16.000 |
| 035 | 0.035 | 250 | 0.500 | 445 | 4.500 | 617 | 17.000 |
| 040 | 0.040 | 255 | 0.550 | 450 | 5.000 | 618 | 18.000 |
| 045 | 0.045 | 260 | 0.600 | 455 | 5.500 | 620 | 20.000 |
| 050 | 0.050 | 265 | 0.650 | 460 | 6.000 | 622 | 22.000 |
| 055 | 0.055 | 270 | 0.700 | 465 | 6.500 | 624 | 24.000 |
| 060 | 0.060 | 275 | 0.750 | 470 | 7.000 | 625 | 25.000 |
| 065 | 0.065 | 280 | 0.800 | 475 | 7.500 | 630 | 30.000 |
| 070 | 0.070 | 285 | 0.850 | 480 | 8.000 | 635 | 35.000 |
| 075 | 0.075 | 290 | 0.900 | 485 | 8.500 | 640 | 40.000 |
| 080 | 0.080 | 295 | 0.950 | 490 | 9.000 | 650 | 50.000 |
| 085 | 0.085 | 410 | 1.000 | 495 | 9.500 | 660 ⁹ | 60.000 |
| 090 | 0.090 | 512 | 1.250 | 610 | 10.000 | 670 ⁹ | 70.000 |
| 095 | 0.095 | 415 | 1.500 | 710 | 10.500 | 680 ⁹ | 80.000 |
| 210 | 0.100 | 517 | 1.750 | 611 | 11.000 | 685 ⁹ | 85.000 |
| 215 | 0.150 | 420 | 2.000 | 711 | 11.500 | 690 ⁹ | 90.000 |
| 220 | 0.200 | 522 | 2.250 | 612 | 12.000 | 695 ⁹ | 95.000 |
| 225 | 0.250 | 425 | 2.500 | 712 | 12.500 | 810 ⁹ | 100.000 |
| 230 | 0.300 | 527 | 2.750 | 613 | 13.000 | | |

VOLTAGE COIL (NOMINAL RATED VOLTAGE)⁷

| CODE | RATING | CODE | RATING | CODE | RATING | CODE | RATING |
|------|--------|------|--------|------|--------|------|--------|
| A06 | 6DC | A32 | 32DC | J12 | 12AC | J65 | 65AC |
| A12 | 12DC | A48 | 48DC | J18 | 18AC | K20 | 120AC |
| A18 | 18DC | A65 | 65DC | J24 | 24AC | L40 | 240AC |
| A24 | 24DC | J06 | 6AC | J48 | 48AC | | |

8 TERMINAL

| | |
|--------------------------------|--|
| 1 ¹⁰ Stud 10-32 | 6 ¹² Stud M6 |
| 2 ¹¹ Screw 10-32 | 7 ¹³ 0.250 Double Quick Connect |
| 3 ¹² Stud 1/4-20 | 9 ¹⁵ 7/16" Clip Terminal |
| 4 ¹¹ Stud M5 x 0.8 | A ¹⁴ Plug-In Stud |
| 5 ¹¹ Screw M5 x 0.8 | C ¹⁵ 5/16" Clip Terminal |

9 ACTUATOR COLOR & LEGEND^{16,17,18}

Actuator or

| Visi-Color | Marking: | Marking Color: | Single Color | Visi-Rocker |
|------------|----------------------|----------------|--------------|-------------|
| Color: | I-O ON-OFF Dual/None | Rocker/Handle | White | White |
| White | A B 1 | Black | n/a | n/a |
| Black | C D 2 | White | Red | Red |
| Red | F G 3 | White | Green | Green |
| Green | H J 4 | White | Blue | Blue |
| Blue | K L 5 | Black | Yellow | Yellow |
| Yellow | M N 6 | Black | Gray | Gray |
| Gray | P Q 7 | Black | Orange | Orange |
| Orange | R S 8 | Black | | |

10 MOUNTING/BARRIERS¹

| | STANDARD ROCKER BEZEL | BARRIERS | VOLTAGE |
|----------------------------|-----------------------|----------|---------|
| 1 | 6-32 x 0.195 inches | no | <300 |
| 2 | 6-32 x 0.195 inches | yes | <300 |
| 3 ¹⁹ | 6-32 x 0.195 inches | yes | ≥300 |
| 4 | ISO M3 x 5mm | no | <300 |
| 5 | ISO M3 x 5mm | yes | <300 |
| 6 ¹⁹ | ISO M3 x 5mm | yes | ≥300 |
| RECESSED OFF ROCKER | | | |
| 7 | 6-32 x 0.195 inches | no | <300 |
| 8 | 6-32 x 0.195 inches | yes | <300 |
| 9 | 6-32 x 0.195 inches | yes | ≥300 |
| A | ISO M3 x 5mm | no | <300 |
| C | ISO M3 x 5mm | yes | <300 |
| E | ISO M3 x 5mm | yes | ≥300 |
| PUSH-TO-RESET BEZEL | | | |
| B | 6-32 x 0.195 inches | no | <300 |
| D ¹⁹ | 6-32 x 0.195 inches | yes | <300 |
| H | ISO M3 x 5mm | no | <300 |
| J | ISO M3 x 5mm | yes | <300 |
| M ¹⁹ | ISO M3 x 5mm | yes | ≥300 |

11 AGENCY APPROVAL

| | |
|---|---|
| C | UL Recognized & CSA Accepted |
| E | TUV Certified, UL Recognized & CSA Accepted |
| I | UL Rec. STD 1077, UL Rec. 1500 (ignition protected), & CSA Accepted |
| L | UL489 Construction: UL Recognized & CSA Accepted |
| R | UL489 Construction: TUV Certified, UL Recognized & CSA Accepted |

C 1 2 - B 0 - 14 - 450 - 1 2 A - K G

1 Series 2 Actuator 3 Poles 4 Circuit 5 Aux/Alarm Switch 6 Frequency & Delay 7 Current Rating 8 Terminal 9 Actuator Color 10 Mounting/Barriers 11 Max. App. Rating 12 Agency Approval

1 SERIES
C

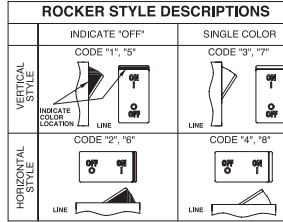
2 ACTUATOR¹

Two Color Visi-Rocker

- 1 Indicate OFF, vertical legend
- 2 Indicate OFF, horizontal legend

Single color

- 3 Vertical legend
- 4 Horizontal legend
- Push-To-Reset, Visi-Rocker**
- 5 Indicate OFF, vertical legend
- 6 Indicate OFF, horizontal legend
- Push-To-Reset, Single color**
- 7 Vertical legend
- 8 Horizontal legend



7 CURRENT RATING (AMPERES)⁵

| CODE | AMPERES | CODE | AMPERES | CODE | AMPERES |
|------|---------|------|---------|------|---------|
| 210 | 0.100 | 295 | 0.950 | 470 | 7.000 |
| 215 | 0.150 | 410 | 1.000 | 475 | 7.500 |
| 220 | 0.200 | 512 | 1.250 | 480 | 8.000 |
| 225 | 0.250 | 415 | 1.500 | 485 | 8.500 |
| 230 | 0.300 | 517 | 1.750 | 490 | 9.000 |
| 235 | 0.350 | 420 | 2.000 | 495 | 9.500 |
| 240 | 0.400 | 522 | 2.250 | 610 | 10.000 |
| 245 | 0.450 | 425 | 2.500 | 710 | 10.500 |
| 250 | 0.500 | 527 | 2.750 | 611 | 11.000 |
| 255 | 0.550 | 430 | 3.000 | 711 | 11.500 |
| 260 | 0.600 | 435 | 3.500 | 612 | 12.000 |
| 265 | 0.650 | 440 | 4.000 | 712 | 12.500 |
| 270 | 0.700 | 445 | 4.500 | 613 | 13.000 |
| 275 | 0.750 | 450 | 5.000 | 614 | 14.000 |
| 280 | 0.800 | 455 | 5.500 | 615 | 15.000 |
| 285 | 0.850 | 460 | 6.000 | 616 | 16.000 |
| 290 | 0.900 | 465 | 6.500 | 617 | 17.000 |

3 POLES²

- 1 One 2 Two 3 Three

4 CIRCUIT

- B** Series Trip (current)

5 AUXILIARY/ALARM SWITCH²

- 0 without Aux Switch
- 2 S.P.D.T., 0.110 Q.C. Term.
- 3 S.P.D.T., 0.139 Solder Lug
- 4 S.P.D.T., 0.110 Q.C. Term. (Gold Contacts)
- 6 S.P.S.T., 0.139 Solder Lug
- 8 S.P.S.T., 0.187 Q.C. Term.
- 9 S.P.D.T., 0.187 Q.C. Term.

6 FREQUENCY & DELAY

- 11 DC Ultra Short 26 50/60Hz Long
- 12 DC Short 42⁴ 50/60Hz Short, Hi-Inrush
- 14 DC Medium 44⁴ 50/60Hz Medium, Hi-Inrush
- 16 DC Long 46⁴ 50/60Hz Long, Hi-Inrush
- 21 50/60Hz Ultra Short 52⁴ DC Short, Hi-Inrush
- 22 50/60Hz Short 54⁴ DC Medium, Hi-Inrush
- 24 50/60Hz Medium 56⁴ DC Long, Hi-Inrush

8 TERMINAL

- 1⁷ Stud 10-32
- 2⁸ Screw 10-32
- 3⁹ Stud 1/4-20
- 4⁸ Stud M5 x 0.8
- 5⁸ Screw M5 x 0.8
- 6⁹ Stud M6
- 9^{9,10} 7/16" Clip Terminal
- A⁹ Plug-In Stud
- C^{8,10} 5/16" Clip Terminal

9 ACTUATOR COLOR & LEGEND¹²

| Actuator or Visi-Color | Marking: | | Marking Color: | |
|------------------------|---------------|--------------------------|---------------------|--------------------|
| Color: | ON-OFF | Dual¹¹ | Single Color | Visi-Rocker |
| White | B | 1 | Black | White |
| Black | D | 2 | White | n/a |
| Red | G | 3 | White | Red |
| Green | J | 4 | White | Green |
| Blue | L | 5 | White | Blue |
| Yellow | N | 6 | Black | Yellow |
| Gray | Q | 7 | Black | Gray |
| Orange | S | 8 | Black | Orange |

10 MOUNTING/BARRIERS¹²

| | STANDARD ROCKER BEZEL Threaded Insert, 2 per pole | BARRIERS ¹⁵ |
|---|---|------------------------|
| A | 6-32 X 0.195 inches | yes |
| C | ISO M3 x 5mm | yes |
| | RECESSED OFF ROCKER ¹⁴ Threaded Insert, 2 per pole | |
| E | 6-32 x 0.195 inches | yes |
| F | ISO M3 x 5mm | yes |
| | PUSH-TO-RESET BEZEL ¹³ Threaded Insert, 2 per pole | |
| B | 6-32 x 0.195 inches | yes |
| D | ISO M3 x 5mm | yes |

11 MAXIMUM APPLICATION RATING

- A 65 DC
- B 125 DC
- C 120/240 AC¹⁶
- D 240 AC
- F 277 AC
- K 120 AC
- M 80 DC

12 AGENCY APPROVAL

- A without approvals
- G UL 489 Listed & CSA Certified
- J UL489 Listed, CSA Certified & TUV Certified

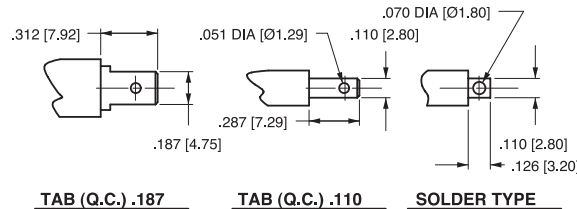
1 Notes:
 2 Push-to-reset actuators have OFF portion of rocker shrouded.
 3 Multi-pole breakers have all breakers identical except when specifying Aux. switch and/or mixed poles, and have one rocker per breaker.
 4 On multi-pole breakers, one aux. switch is supplied, mounted in the extreme right pole.
 5 Available up to 50 amps maximum.
 6 Current ratings 71 - 100 with VDE approvals are available up to two poles maximum.
 7 Terminal Code 1 available to 60 amps maximum.
 8 Terminal Codes 2, 4, 5 & C available to 50 amps maximum.
 9 Terminal Codes 3, 6, 9 & A available to 100 amps maximum.
 10 Terminal Codes 9 & C are not VDE approved.
 11 Color shown is visi and legend with remainder of rocker black
 12 Dual = ON-OFF/I-O legend on actuator.
 13 VDE and TUV approval requires Dual (I-O, ON-OFF) markings on rocker.
 14 Legend on push-to-reset bezel/shroud is white when single color rocker is ordered. Legend on push-to-reset bezel/shroud matches visi-color of rocker with actuator codes
 15 5 & 6.
 16 Recessed "OFF-SIDE" available with actuator codes 1, 2, 3, & 4. Legends on rocker are available in ink stamping only.
 17 Barriers supplied on multi-pole units only.
 18 2 & 3 pole circuit breakers required for 120/240 AC rating.

| DESCRIPTION | CODE | DIMENSIONAL DETAIL | RATING (AMPS) | | |
|--------------|------|--------------------|---------------|----|-----|
| | | | 25 | 50 | 100 |
| #10-32 STUD | 1 | | | | |
| M5 STUD | 4 | | | | |
| #1/4-20 STUD | 3 | | | | |
| M6 STUD | 6 | | | | |
| #1/4-20 STUD | 3 | | | | |
| M6 STUD | 6 | | | | |
| #10-32 SCREW | 2 | | | | |
| M-5 SCREW | 5 | | | | |

| DESCRIPTION | CODE | DIMENSIONAL DETAIL | RATING (AMPS) | | |
|----------------------|------|--------------------|---------------|----|-----|
| | | | 25 | 50 | 100 |
| .250 DOUBLE Q.C. | 7 | | | | |
| 7/16" CLIP TERMINALS | 9 | | | | |
| PUSH-IN STUD | A | | | | |

NOTES: TOLERANCE ON STUD LENGTHS IS ±.031 [±.79] UNLESS OTHERWISE SPECIFIED.

AUXILIARY / ALARM SWITCH TERMINAL DETAIL³



| TIGHTENING TORQUE SPECIFICATIONS | |
|----------------------------------|---------------------------|
| THREAD SIZE | TORQUE |
| #6-32 [M3] MOUNTING INSERTS | 7-9 IN-LBS [0.8-1.0 NM] |
| #10-32 & M5 THD STUDS | 15-20 IN-LBS [1.7-2.3 NM] |
| #10-32 THD SCREW | 15-20 IN-LBS [1.7-2.3 NM] |
| #1/4-20 & M6 THD STUDS | 30-35 IN-LBS [3.4-4.0 NM] |

| TERMINAL HARDWARE | | | | |
|----------------------|-------|---------------------|---------------|--|
| TERMINAL DESCRIPTION | CODE | AGENCY APPROVAL | AMPERE RATING | HARDWARE SUPPLIED |
| #10-32 STUD | 1 | ALL | .02 - 50 | LOCK WASHER - FLAT WASHER - NUT |
| M5 STUD | 4 | ALL | .02 - 50 | LOCK WASHER - FLAT WASHER - NUT |
| #1/4-20 STUD | 3 | ALL | .02 - 80 | LOCK WASHER - FLAT WASHER - NUT |
| | | | 81 - 100 | LOCK WASHER - NUT - (2)FLAT WASHER - NUT |
| M6 STUD | 6 | ALL | .02 - 80 | LOCK WASHER - FLAT WASHER - NUT |
| | | | 81 - 100 | LOCK WASHER - NUT - (2)FLAT WASHER - NUT |
| #10-32 SCREW | 2 & 5 | UL RECOGNIZED | .02 - 50 | * SADDLE CLAMP - FLAT WASHER - SCREW |
| | | UL-489 LISTED | .02 - 50 | LOCK WASHER - FLAT WASHER - SCREW |
| | | TUV & VDE CERTIFIED | .02 - 16 | * SADDLE CLAMP - FLAT WASHER - SCREW |
| | | TUV & VDE CERTIFIED | 16.1 - 50 | LOCK WASHER - FLAT WASHER - SCREW |

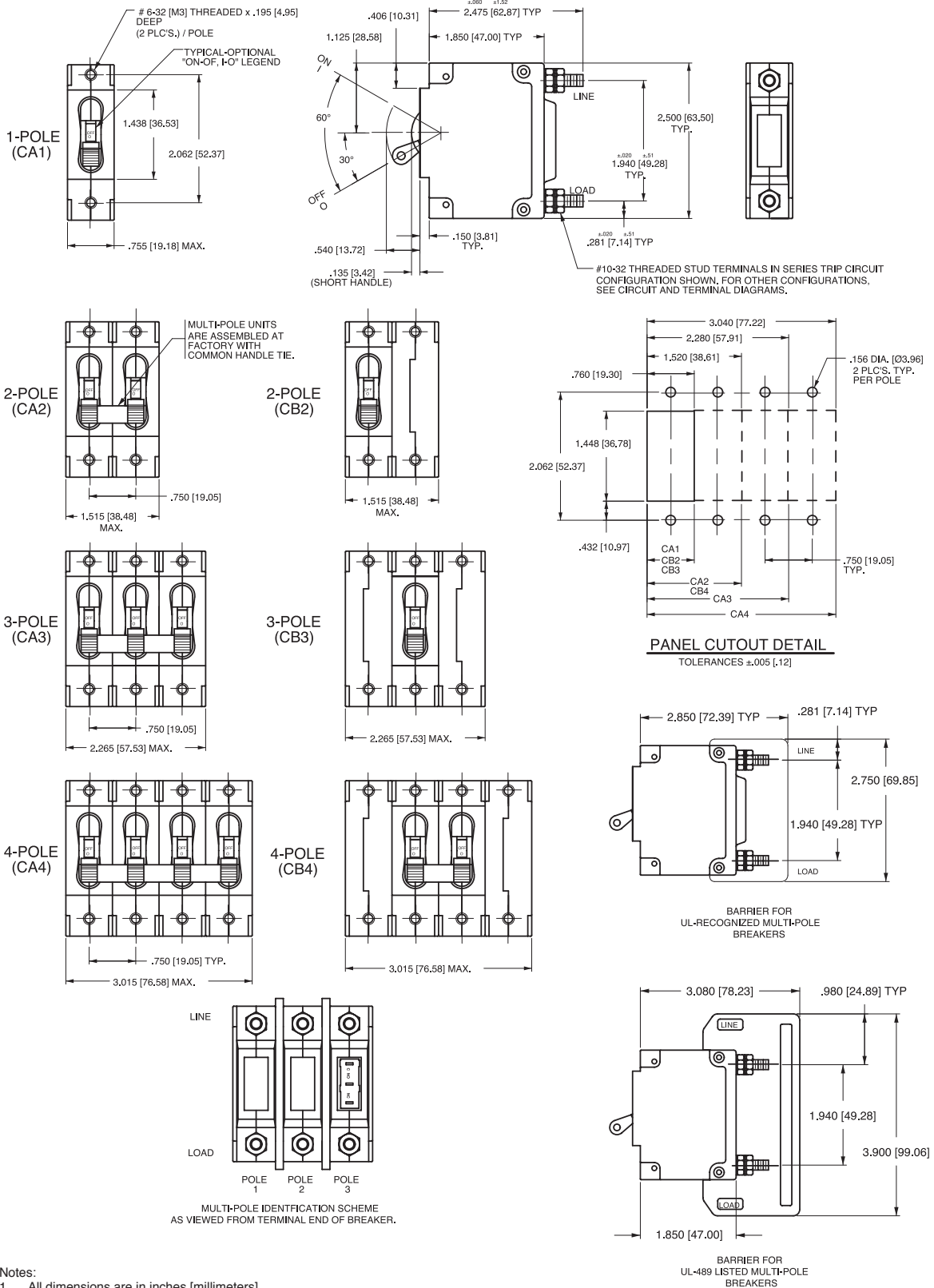
* THE SADDLE CLAMP IS FOR DIRECT WIRE CONNECTION USE. DISCARD SADDLE CLAMP IF WIRE TERMINAL LUG IS USED

- Notes:
- All dimensions are in inches [millimeters].
 - Tolerance ±.020 [.51] unless otherwise specified.
 - Available on Series Trip and Switch Only Circuits when called for on multi-pole units. Only one aux. switch is normally supplied, as viewed in multi-pole identification scheme.

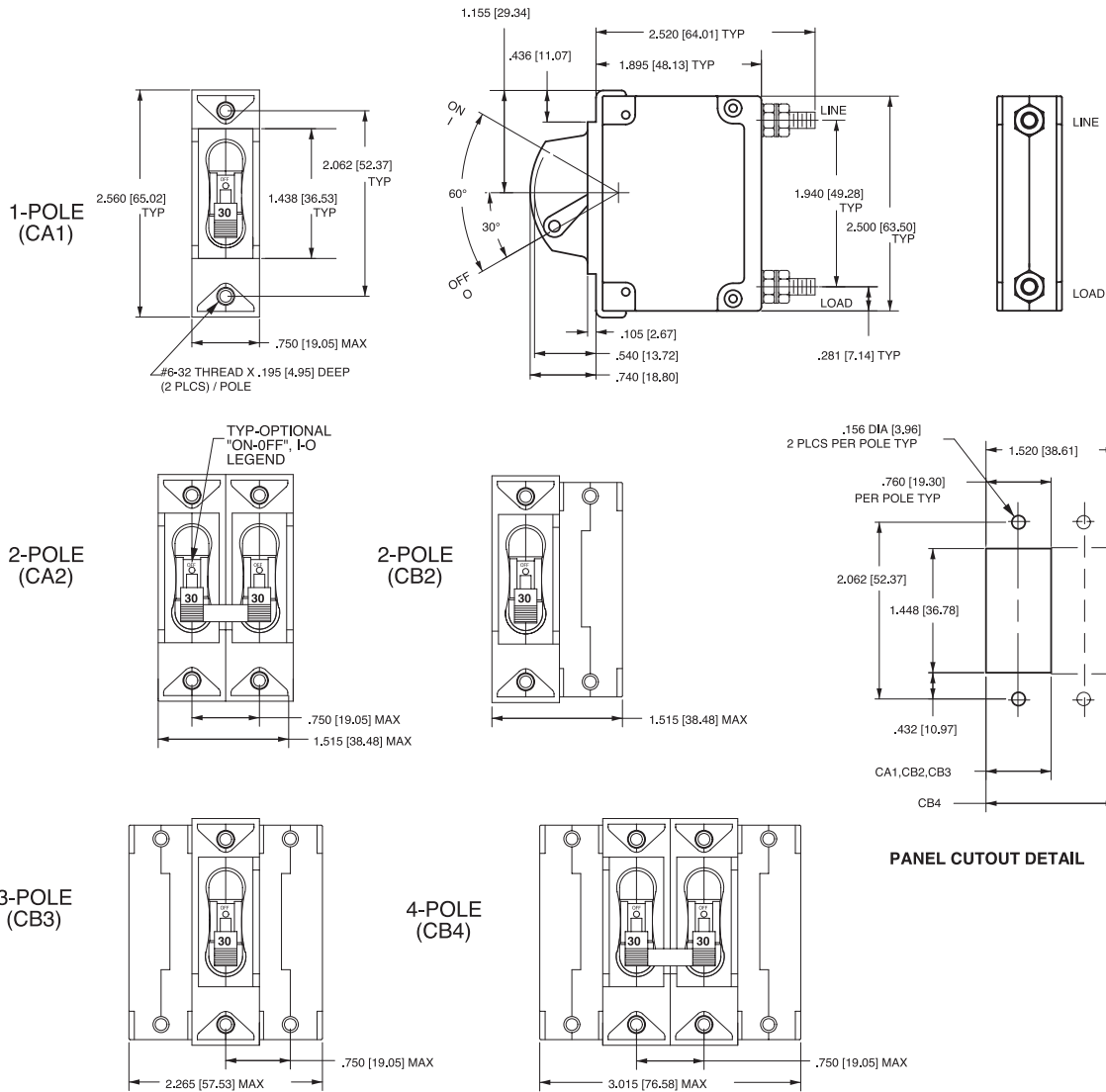
| | CIRCUIT SCHEMATIC | | CIRCUIT CODE | AUX SWITCH CODE | CIRCUIT SCHEMATIC | | CIRCUIT CODE | AUX SWITCH CODE |
|--|---|-----|--------------|-----------------|--|-----|--------------|-----------------|
| | ANSI | IEC | | | ANSI | IEC | | |
| | SWITCH ONLY (NO COIL) | | A | O | SERIES TRIP | | B | O |
| | | | | | | | | |
| | SWITCH ONLY (NO COIL) WITH AUXILIARY SWITCH | | A | 2 3 4 | SERIES TRIP WITH AUXILIARY / ALARM SWITCH | | B | 2 3 4 |
| | | | | | | | | |
| | SHUNT TRIP | | D | 0 | DUAL COIL; SERIES TRIP CURRENT COIL, SHUNT TRIP VOLTAGE COIL | | H | 0 |
| | | | | | | | | |
| | RELAY TRIP | | F | G | DUAL COIL; SERIES TRIP CURRENT COIL, RELAY TRIP VOLTAGE COIL | | K | 0 |
| | | | | | | | | |

| HANDLE POSITION VS. AUX/ALARM SWITCH MODE | | | | | |
|---|-----------------|------------------|-----------------|----------------------------|--|
| CIRCUIT BREAKER MODE | STANDARD C/B | | MID TRIP C/B | | |
| | HANDLE POSITION | AUX. SWITCH MODE | HANDLE POSITION | STANDARD ALARM SWITCH MODE | REVERSE ALARM SWITCH MODE ⁴ |
| OFF | | | | | |
| ON | | | | | |
| ELECTRICAL TRIP | | | | | |

- Notes:
- All dimensions are in inches [millimeters].
 - Tolerance ± 0.020 [.51] unless otherwise specified.
 - Schematic shown represents current trip circuits.
 - Available only as special catalog number.



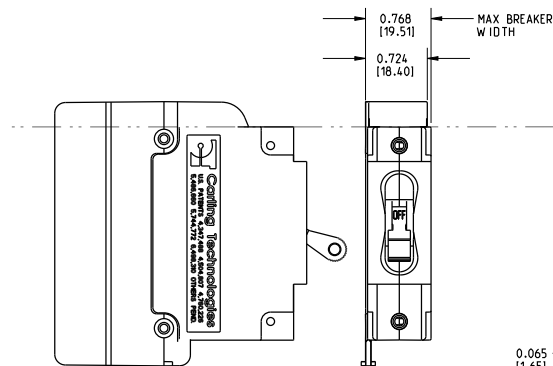
- Notes:
1 All dimensions are in inches [millimeters].
2 Tolerance ±.020 [.51] unless otherwise specified.



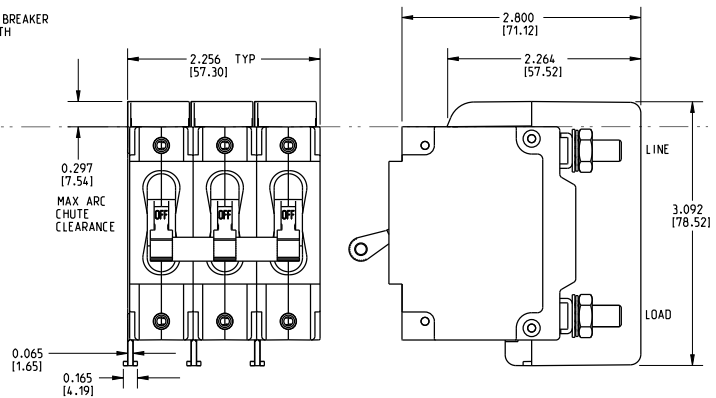
*Handleguard available as special catalog number only

- Notes:
 1 All dimensions are in inches [millimeters].
 2 Tolerance ± 0.020 [.51] unless otherwise specified.

1-POLE (CA1)
w/ ARC CHUTE BARRIER

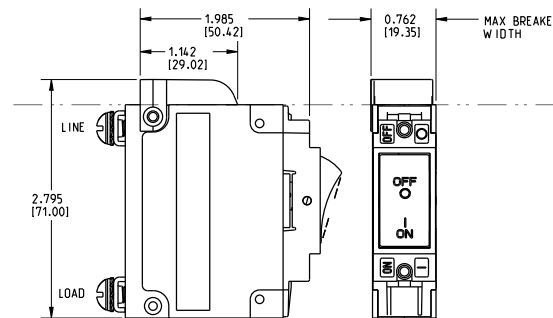


3-POLE (CA3)
w/ ARC CHUTE BARRIER

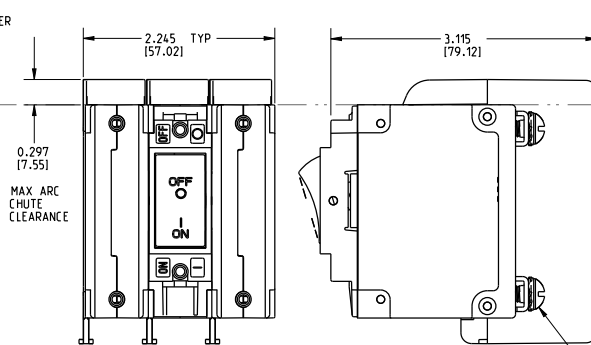


INDICATE "ON"

1-POLE (CC1,CD1)
w/ ARC CHUTE (NO BARRIER)



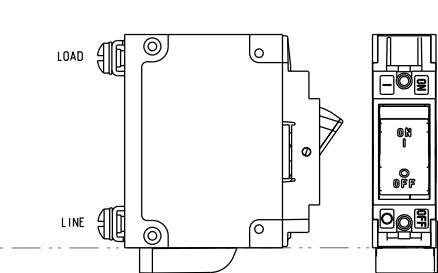
3-POLE (CC3,CD3)
w/ ARC CHUTE BARRIER



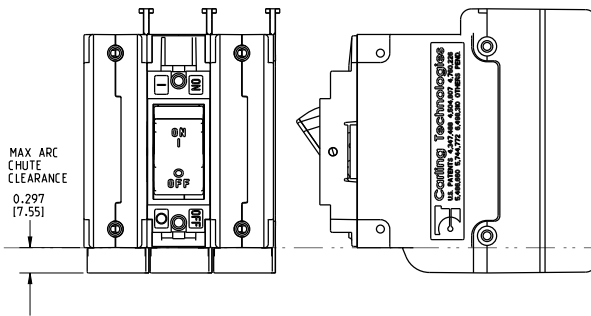
SCREW TYPE TERMINALS IN SERIES TRIP CIRCUIT CONFIGURATION SHOWN.

INDICATE "OFF" / SINGLE COLOR

1-POLE (CF1, CG1,C11,C21)
w/ ARC CHUTE (NO BARRIER)



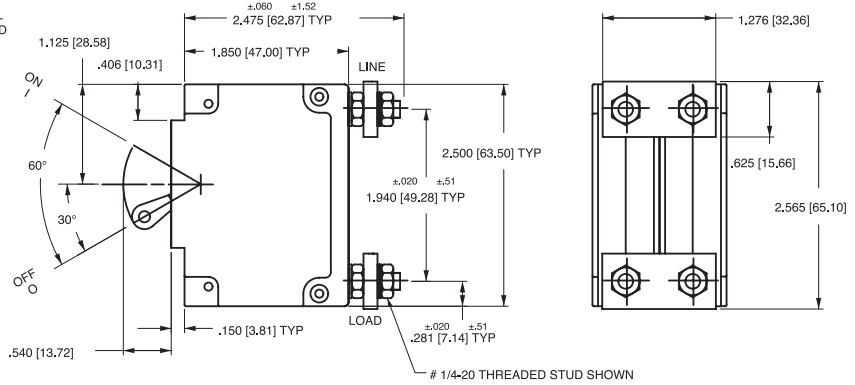
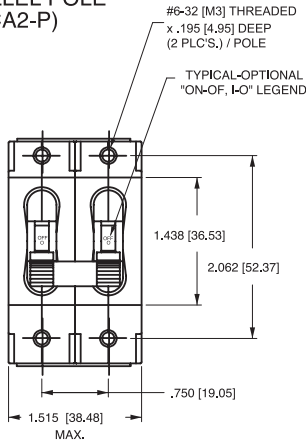
3-POLE (CF3,CG3,C13,C23)
w/ ARC CHUTE BARRIER



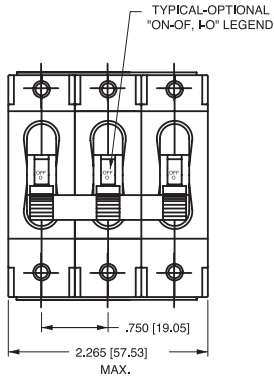
Notes:

- 1 Only 1-pole and 3-pole configurations shown. Arc chute (w/o barrier) and arc chute barrier also available for 2-pole construction.
- 2 Dimensions apply to all variations shown.
- 3 Notice that line and load terminal orientation for indicate on and indicate off rocker circuit breakers are opposite.
- 4 Screw type terminals shown for Rocker style (CF1, C11, etc) circuit breakers. For other terminal configurations see circuit and terminal diagrams.
- 5 All dimensions are in inches [millimeters].
- 6 Tolerance $\pm .020$ unless otherwise specified.
- 7 Must be ordered under a special catalog number.

PARALLEL POLE (CA2-P)

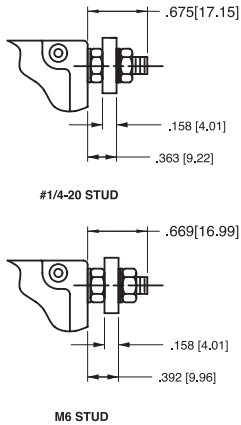
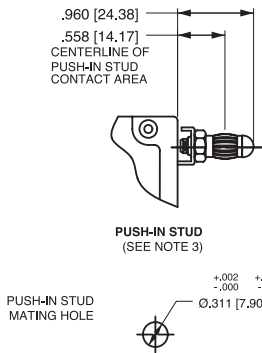


PARALLEL POLE (CA3-P)

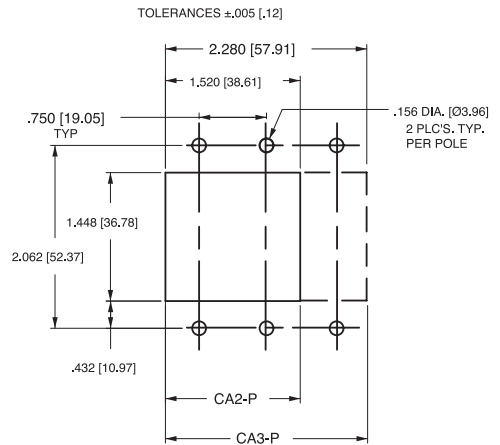


| CIRCUIT BREAKER PROFILE | CIRCUIT SCHEMATIC (CA2-P SHOWN) | | CIRCUIT CODE | AUX SWITCH CODE |
|-------------------------|--|-----|--------------|-----------------|
| | ANSI | IEC | | |
| | SERIES TRIP | | P | 0 |
| | SERIES TRIP WITH AUXILIARY SWITCH | | P | 2 3 4 |

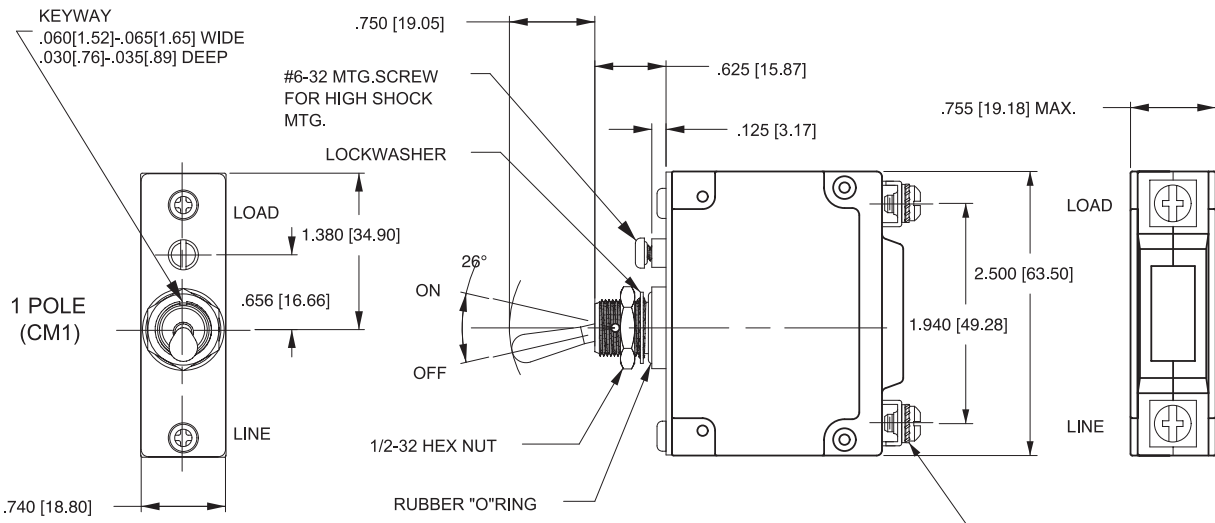
TERMINAL DETAILS



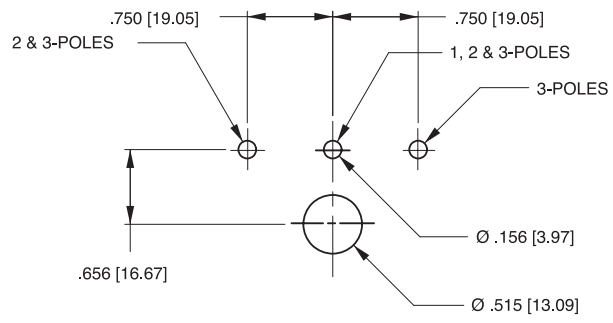
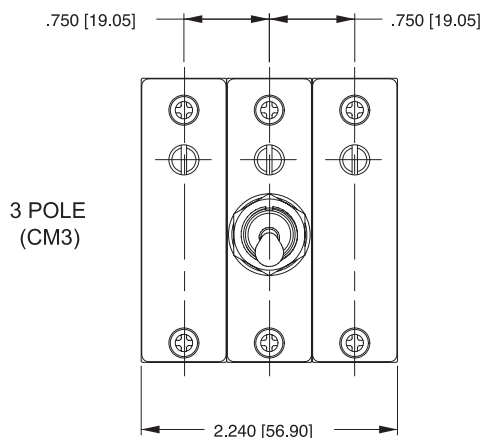
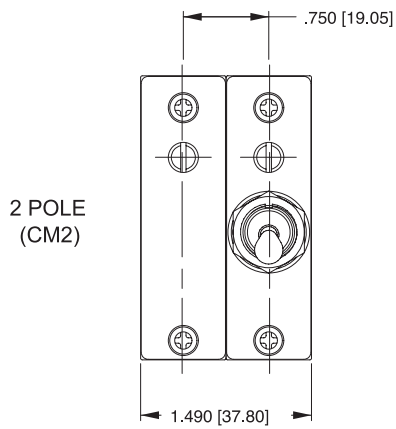
PANEL CUTOUT DETAIL



- Notes:
 1 All dimensions are in inches [millimeters].
 2 Tolerance ±.020 [.51] unless otherwise specified.



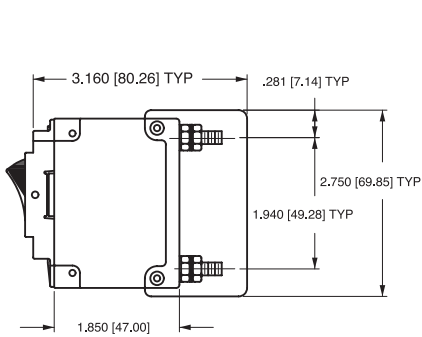
SCREW TYPE TERMINALS
 IN SERIES TRIP CIRCUIT
 CONFIGURATION SHOWN.
 FOR OTHER CONFIGURATIONS
 SEE CIRCUIT & TERMINAL
 DIAGRAMS



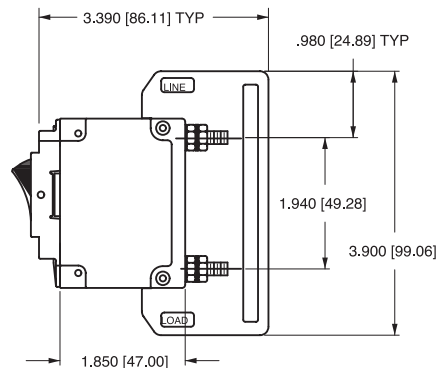
PANEL CUTOUT DETAIL
 TOLERANCES ±.005[.13]

- Notes:
- 1 All dimensions are in inches [millimeters].
 - 2 Tolerance ±.020 [.51] unless otherwise specified.

| CIRCUIT BREAKER PROFILE | CIRCUIT SCHEMATIC | | CIRCUIT CODE | AUX. SWITCH CODE | CIRCUIT SCHEMATIC | | CIRCUIT CODE | AUX. SWITCH CODE |
|---|-------------------|-----|--------------|------------------|-------------------|-----|--------------|------------------|
| | ANSI | IEC | | | ANSI | IEC | | |
| <p>SERIES TRIP (2 TERMS.)</p> | | | A | 0 | | | BC | 0 |
| <p>SERIES TRIP W/AUX. SWITCH (5 TERMS.)</p> | | | A | 2 3 4 | | | BC | 2 3 4 |
| <p>SHUNT TRIP (3 TERMS.)</p> | | | DE | 0 | | | H | 0 |
| <p>SHUNT TRIP (4 TERMS.)</p> | | | FG | 0 | | | K | 0 |



BARRIER FOR UL-RECOGNIZED MULTI-POLE BREAKERS



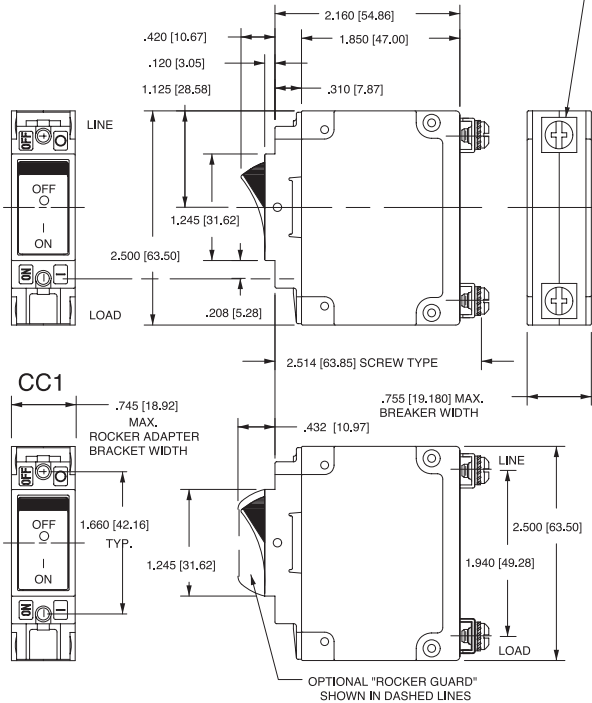
BARRIER FOR UL-489 LISTED MULTI-POLE BREAKERS

Notes:

- 1 All dimensions are in inches [millimeters].
- 2 Tolerance $\pm .020$ [.51] unless otherwise specified.
- 3 Schematic shown represents current trip circuit.

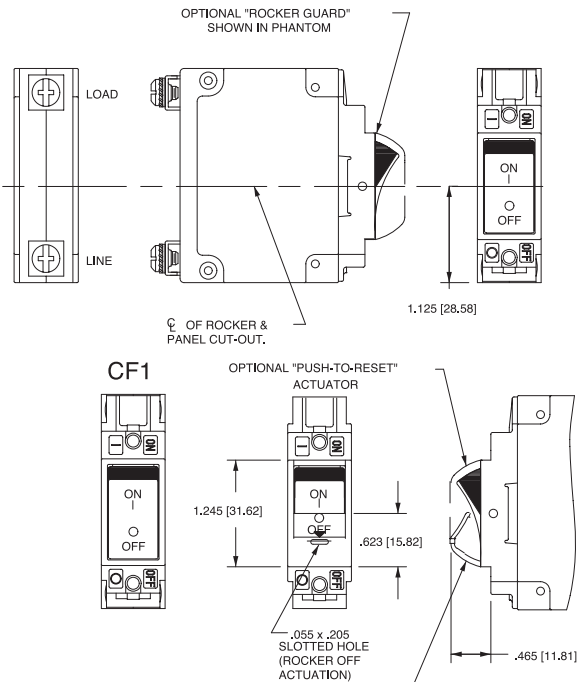
INDICATE "ON"

SCREW TYPE TERMINALS IN SERIES TRIP CIRCUIT CONFIGURATION SHOWN, FOR OTHER CONFIGURATIONS SEE CIRCUIT AND TERMINAL DIAGRAMS.

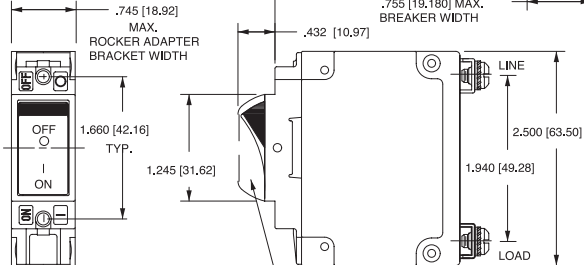


INDICATE "OFF" & SINGLE COLOR

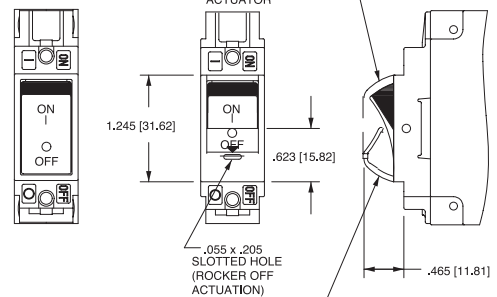
(INDICATE "OFF" SHOWN)



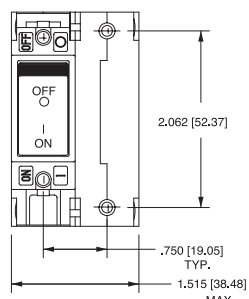
CC1



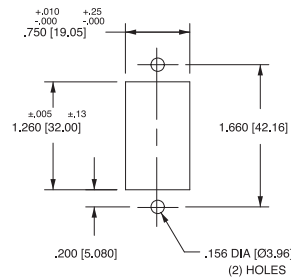
CF1



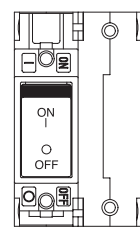
CC2



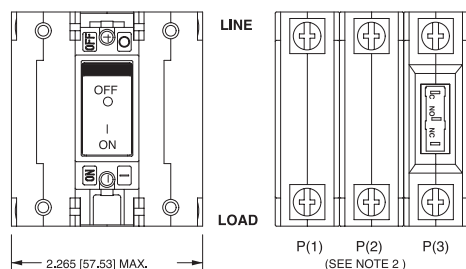
PANEL CUT-OUT DETAIL



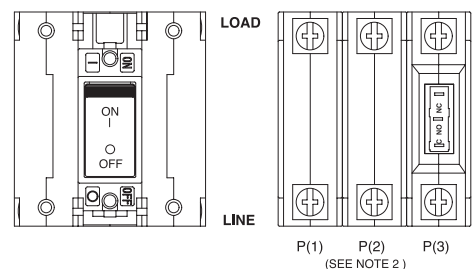
CF2



CC3



CF3



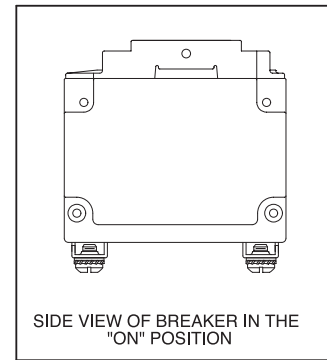
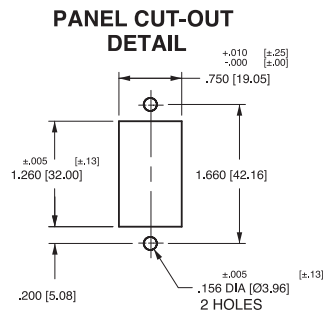
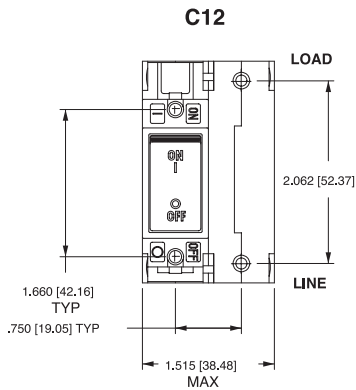
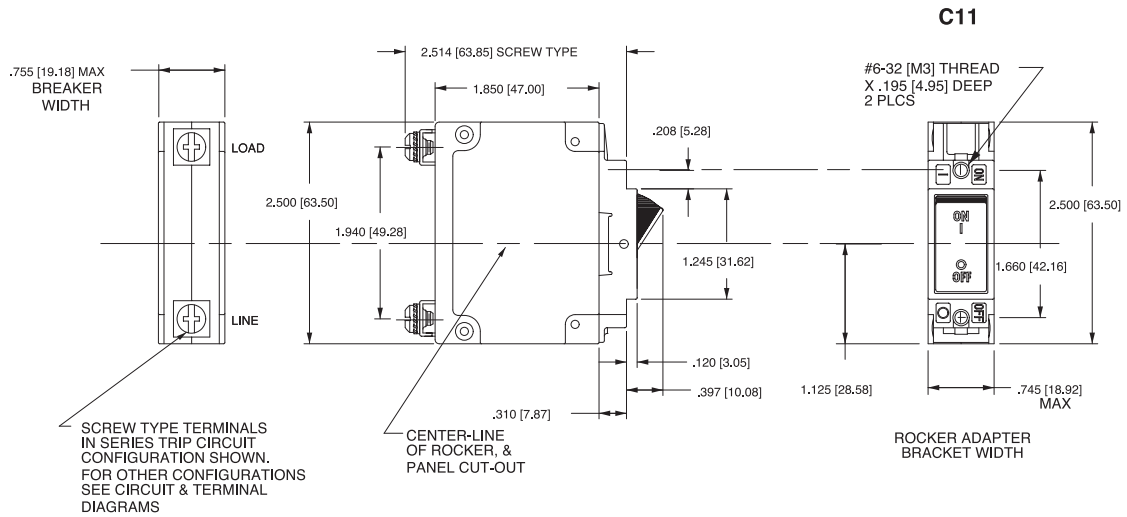
REAR VIEW OF INDICATE "ON" SERIES TRIP W/ AUX SWITCH CIRCUIT CONFIGURATION.

REAR VIEW OF INDICATE "OFF" SERIES TRIP W/ AUX SWITCH CIRCUIT CONFIGURATION.

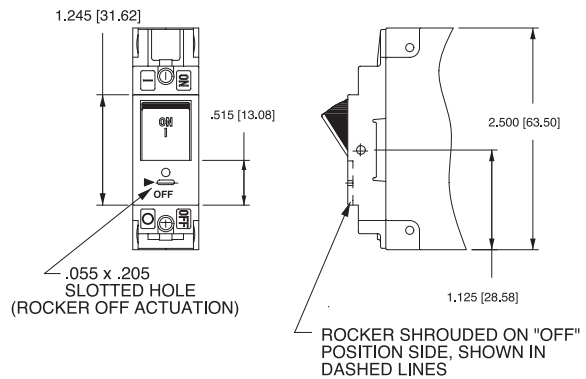
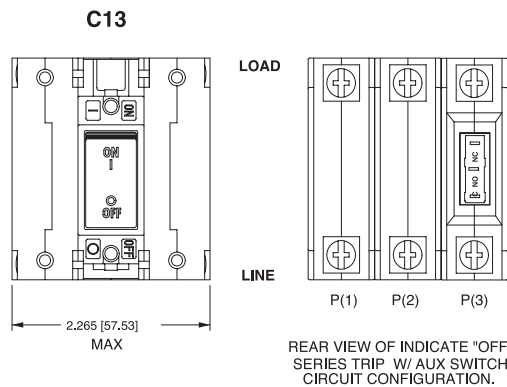
Notes:

- 1 Dimensions apply to all variations shown. Notice that circuit breaker line and load terminal orientation on indicate OFF is opposite of indicate ON.
- 2 For pole orientation with horizontal legend, rotate front view clockwise 90°.
- 3 All dimensions are in inches [millimeters].
- 4 Tolerance ±.020 [.51] unless otherwise specified.

INDICATE "OFF" & SINGLE COLOR



PUSH-TO-RESET ACTUATOR



ACTUATOR SIDE VIEW (SURFACE CONTOURS)



- Notes:
- 1 For pole orientation with horizontal legend, rotate front view clockwise 90°.
 - 2 All dimensions are in inches [millimeters].
 - 3 Tolerance $\pm .020$ [.51] unless otherwise specified.

Worldwide Headquarters

Carling Technologies, Inc.
60 Johnson Avenue • Plainville, CT 06062
Phone: (860) 793-9281 • Fax: (860) 793-9231
Email: sales@carlingtech.com • www.carlingtech.com

East Region Sales Office, CT • ersm@carlingtech.com
Midwest Region Sales Office, IL • mrsm@carlingtech.com
West Region Sales Office, CA • wrsm@carlingtech.com

Asia-Pacific Headquarters

Carling Technologies, Asia-Pacific Ltd.,
Kowloon, Hong Kong
Int + 852-2737-2277 • Fax: Int + 852-2736-9332
Email: sales@carlingtech.com.hk

Shenzhen, China • shenzhen@carlingtech.com
Shanghai, China • shanghai@carlingtech.com
Pune, India • india@carlingtech.com
Kaohsiung, Taiwan • taiwan@carlingtech.com
Yokohama, Japan • japan@carlingtech.com

Europe / Middle East / Africa Headquarters

Carling Technologies LTD
4 Airport Business Park, Exeter Airport,
Clyst Honiton, Exeter, Devon, EX5 2UL, UK
Int + 44 1392-364422 • Fax: Int + 44 1392-364477
Email: ltd.sales@carlingtech.com

GmbH, Germany • gmbh@carlingtech.com
SAS, France • sas@carlingtech.com

CB_C_09_2014



Carling Technologies™

Innovative Designs. Powerful Solutions.



Компания «ЭлектроПласт» предлагает заключение долгосрочных отношений при поставках импортных электронных компонентов на взаимовыгодных условиях!

Наши преимущества:

- Оперативные поставки широкого спектра электронных компонентов отечественного и импортного производства напрямую от производителей и с крупнейших мировых складов;
- Поставка более 17-ти миллионов наименований электронных компонентов;
- Поставка сложных, дефицитных, либо снятых с производства позиций;
- Оперативные сроки поставки под заказ (от 5 рабочих дней);
- Экспресс доставка в любую точку России;
- Техническая поддержка проекта, помощь в подборе аналогов, поставка прототипов;
- Система менеджмента качества сертифицирована по Международному стандарту ISO 9001;
- Лицензия ФСБ на осуществление работ с использованием сведений, составляющих государственную тайну;
- Поставка специализированных компонентов (Xilinx, Altera, Analog Devices, Intersil, Interpoint, Microsemi, Aeroflex, Peregrine, Syfer, Eurofarad, Texas Instrument, Miteq, Cobham, E2V, MA-COM, Hittite, Mini-Circuits, General Dynamics и др.);

Помимо этого, одним из направлений компании «ЭлектроПласт» является направление «Источники питания». Мы предлагаем Вам помощь Конструкторского отдела:

- Подбор оптимального решения, техническое обоснование при выборе компонента;
- Подбор аналогов;
- Консультации по применению компонента;
- Поставка образцов и прототипов;
- Техническая поддержка проекта;
- Защита от снятия компонента с производства.



Как с нами связаться

Телефон: 8 (812) 309 58 32 (многоканальный)

Факс: 8 (812) 320-02-42

Электронная почта: org@eplast1.ru

Адрес: 198099, г. Санкт-Петербург, ул. Калинина, дом 2, корпус 4, литера А.